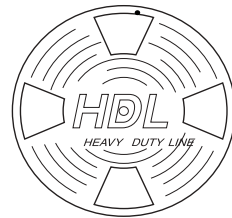
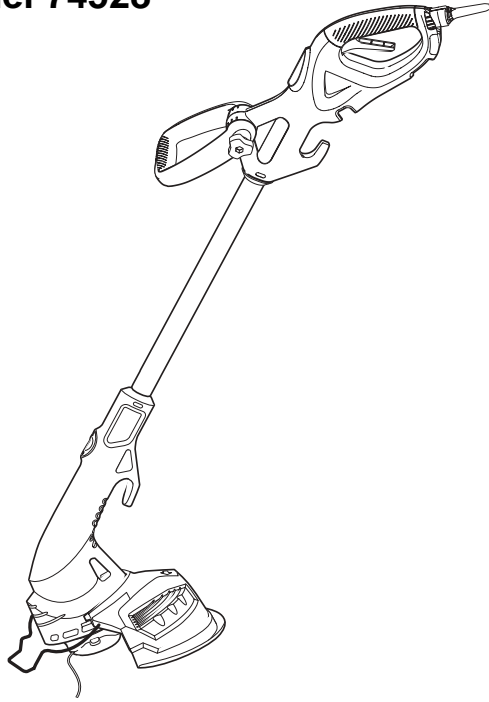


Instruction Manual



14" WEEDWACKER ELECTRIC DUAL LINE TRIMMER

Model 74528



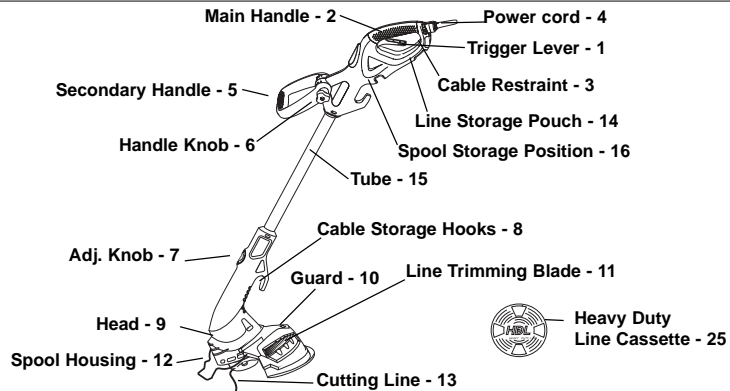
▲ CAUTION:

Before using this product,
read this manual and follow
all its Safety Rules and
Operating Instructions.

- Safety
- Operation
- Maintenance
- Parts List
- Español, p. 12

Sears, Roebuck and Co., Hoffman Estates, IL 60179 U.S.A.
www.sears.com/craftsman

TRIMMER / EDGER DIAGRAM



SEARS WARRANTY

FULL ONE YEAR WARRANTY ON CRAFTSMAN TRIMMER

If this Craftsman product fails due to a defect in material or workmanship within one year from the date of purchase, return it to your nearest Sears store or Craftsman outlet to have it replaced free of charge.

This warranty applies only while this trimmer / edger is used in the United States.

This warranty gives you specific legal rights, and you may also have other rights which vary from state to state.

Sears, Roebuck and Co., Dept. 817WA, Hoffman Estates, IL 60179



WARNING: IMPORTANT SAFETY WARNINGS AND INSTRUCTIONS

SAVE THESE INSTRUCTIONS TO REDUCE RISK OF INJURY:

- Before any use, be sure everyone using this tool reads and understands all safety instructions and other information contained in this manual.
- Save these instructions and review frequently prior to use and in instructing others.

WARNING: When using electric gardening appliances, basic safety precautions should always be followed to reduce risk of fire, electric shock, and personal injury, including the following:

READ ALL INSTRUCTIONS.



GENERAL SAFETY WARNINGS AND INSTRUCTIONS FOR ALL TOOLS

- **ALWAYS WEAR EYE PROTECTION** – Wear safety spectacles or goggles at all times when this tool is plugged in.
- **GUARD** – Do not use this tool without guard attached.
- **DRESS PROPERLY** – Do not wear loose clothing or jewelry. They can be caught in moving parts. Rubber gloves and substantial rubber soled footwear are recommended when working outdoors. Don't operate the tool when barefoot or wearing open sandals. Wear long pants to protect your legs. Wear protective hair covering to contain long hair.
- **NYLON LINE** – Keep face, hands and feet clear of rotating nylon line at all times.
- **THE ROTATING LINE PERFORMS A CUTTING FUNCTION** – Use care when trimming around screens and desirable plantings.

- **KEEP ALL BY-STANDERS AWAY** – At a safe distance from work area, especially children.
 - **IMPORTANT** – When being used as an Edger, stones, pieces of metal and other objects can be thrown out at high speed by the line. The tool and guard are designed to reduce the danger. However, the following special precautions should be taken:
 - **MAKE SURE** that other persons and pets are at least 100 feet away.
 - **TO REDUCE THE RISK** of rebound (ricochet) injury, work going away from any nearby solid object such as wall, steps, large stone, tree, etc. Use great care when working close to solid objects and where necessary, do edging or trimming by hand.
 - **AVOID ACCIDENTALLY STARTING** – Don't carry plugged-in tool with finger on trigger.
 - **DO NOT FORCE THE TOOL** – At a rate faster than the rate at which it is able to cut effectively.
 - **USE THE RIGHT TOOL** – Do not use this tool for any job except that for which it is intended.
 - **DON'T OVERREACH** – Keep proper footing and balance at all times.
 - **DON'T ABUSE CORD** – Don't yank cord from power supply. Keep cord from heat, oil, and sharp edges.
 - **DAMAGE TO UNIT** – If you strike or become entangled with a foreign object, stop tool immediately, unplug, check for damage and have any damage repaired before further operation is attempted. Do not operate with a broken hub or spool.
 - **DAMAGE TO CORD** – Keep power cord away from rotating line. If you damage the cord, unplug it from the power supply before moving the tool or examining the damage. A damaged cord must be replaced before further use.
 - **DISCONNECT TOOL** – When not in use, when replacing line, or prior to cleaning.
 - **AVOID DANGEROUS ENVIRONMENTAL CONDITIONS** – Do not use electric tools in damp or wet locations. Follow all instructions in this Instruction Manual for proper operation of your tool. Don't use the tool in the rain.
 - **DO NOT OPERATE** portable electric tools in gaseous or explosive atmospheres. Motors in these tools normally spark, and the sparks might ignite fumes.
 - **STORE IDLE TOOLS INDOORS** – When not in use, tools should be stored indoors in a dry, locked-up place out of reach of children.
 - **GROUND FAULT CIRCUIT INTERRUPTER (GFCI)** protection should be provided on the circuits or outlets to be used for the gardening appliance. Receptacles are available having built in GFCI protection and may be used for this measure of protection.
 - **SECURE EXTENSION CORD** using the cord retainer shown in Figure 4.
 - **STAY ALERT** – Watch what you are doing. Use common sense. Do not operate tool when you are tired.
 - **MAINTAIN APPLIANCES WITH CARE** – Follow instructions for lubricating and changing accessories. Inspect extension cords periodically and replace if damaged. Keep handles dry, clean and free from oil and grease.
 - **CHECK DAMAGED PARTS** – Before further use of the appliance, a guard or other part that is damaged should be carefully checked to determine that it will operate properly and perform its intended function. Check for alignment of moving parts, binding of moving parts, breakage of parts, mounting, and any other condition that may affect its operation. A guard or other part that is damaged should be properly repaired or replaced by a qualified service facility unless otherwise indicated elsewhere in this manual.
- ⚠WARNING:** When servicing double insulated tools, USE ONLY IDENTICAL REPLACEMENT PARTS. Replace or repair damaged cords.
- ⚠WARNING:** To prevent electrical shock hazard, use only with an extension cord suitable for outdoor use. Always connect extension cords to a fused line or one protected by a circuit breaker.
- **EXTENSION CORDS.** Make sure your extension cord is in good condition. When using an extension cord, be sure to use one heavy enough to carry the current your product will draw. An undersized extension cord will cause a drop in line voltage resulting in loss of power and overheating. The table below shows the

correct size to use depending on cord length and nameplate ampere rating. If in doubt, use the next heavier gauge. The smaller the gauge number, the heavier the cord. To reduce the risk of disconnection of the appliance from the extension cord during operation, use the extension cord retainer described in this manual.

Minimum Gauge for Extension Cords (AWG) 120 VAC Tools				
Total Cord Length	0-25	26-50	51-100	105-150
Amp Rating	AWG	AWG	AWG	AWG
More than 0 Not More than 6	18	16	16	14
More than 6 Not More than 10	18	16	14	12
More than 10 Not more than 12	16	16	14	12
More than 12 Not more than 16	14	12	Not Recommended	

⚠ WARNING:

Outdoor use extension cords:

To reduce the risk of electric shock, use only with an extension cord intended for outdoor use, such as an extension cord of type SW-A, SOW-A, STW-A, STOW-A, SJW-A, SJOW-A, SJTW-A, or SJTOW-A.

⚠ IMPORTANT WARNINGS FOR STRING TRIMMERS

- The guard must be installed before trimming or edging - if not, the motor will overheat.
- When replacing the AFS outfeed line, use only .060" diameter TWISTED line - otherwise the unit will not function properly.
- When replacing the HDL fixed line use only Craftsman line item #85876.
- Do not bump the feed head against the ground - it will disrupt the feed mechanism.
- Angle tool slightly (5° to 10°) when trimming.
- Always use the cord retainer.
- Wear long pants and substantial footwear to protect yourself from injury caused by flying debris. This is especially important when edging with the appliance.

⚠ SAFETY WARNINGS

DOUBLE INSULATION

☐ NOTE: This symbol denotes Double Insulation. Double insulated tools are constructed throughout with two separate layers of electrical insulation or one double thickness of insulation between you and the tool's electrical system. Tools built with this insulation system are not intended to be grounded. As a result, your tool is equipped with a two prong plug which permits you to use extension cords without concern for maintaining a ground connection.

NOTE: Double insulation does not take the place of normal safety precautions when operating this tool. The insulation system is for added protection against injury resulting from a possible electrical insulation failure within the tool.

REPLACEMENT PARTS: When servicing all tools, USE IDENTICAL REPLACEMENT PARTS.

POLARIZED PLUGS

Repair or replace damaged cords. To reduce the risk of electric shock, this equipment has a polarized plug (one

blade is wider than the other). This equipment must be used with a suitable 3 wire outdoor extension cord. Polarized connections will fit together only one way. Make sure that the receptacle end of the extension cord has large and small blade slot widths. If the plug does not fit fully into the extension cord, reverse the plug. If it still does not fit, obtain a suitable extension cord. If the extension cord does not fit fully into the outlet, contact a qualified electrician to install the proper outlet. Do not change the tool plug or extension cord in any way.

SPECIFIC WARNING

⚠ WARNING: Some dust created by this product contains chemicals known to the State of California to cause cancer, birth defects or other reproductive harm.

- Some examples of these chemicals are:
- compounds in fertilizers
 - compounds in insecticides, herbicides and pesticides
 - arsenic and chromium from chemically treated lumber

To reduce your exposure to these

chemicals, wear approved safety equipment such as dust masks that are specially designed to filter out microscopic particles.

▲ WARNING: This product contains chemicals, including lead, known to the

State of California to cause cancer, and birth defects or other reproductive harm. Wash hands after handling.

SAVE THESE INSTRUCTIONS

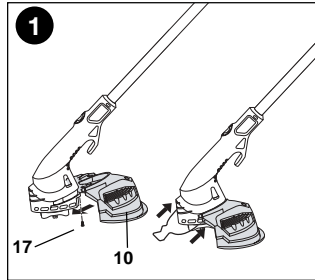
ASSEMBLY INSTRUCTIONS

ASSEMBLY

▲ WARNING: To avoid serious injury, make sure that the tool is switched off and unplugged before assembly.

FITTING THE GUARD (FIG. 1)

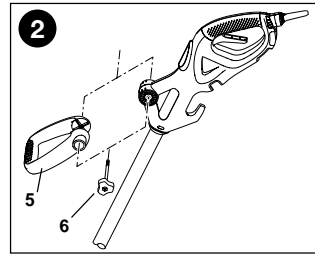
- Remove the screw (17) from the guard (10).
- Place the guard onto the tool as shown.
- Firmly press the guard until it snaps into place.
- Secure the guard with the screw.



▲ WARNING: To avoid serious injury, never use the tool unless the guard is properly fitted.

FITTING THE SECONDARY HANDLE (FIG. 2)

- Place the handle (5) on the tool as shown.
- Adjust the handle to the most comfortable position. Use the markings as a guide.
- Pass the bolt (6) through the secondary handle and the main handle.
- Screw the bolt into the far side of the secondary handle. Do not overtighten the bolt.



STORING THE CASSETTE NOT IN USE (FIG. 3)

The tool has two cutting system cassettes:

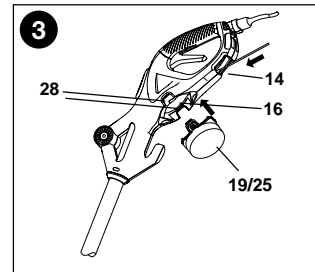
- **AFS:** Autofeed System twin line for light trimming and edging.
- **HDL:** Heavy Duty Line cutting system for more overgrown areas.

The cutting system cassette not in use can be stored in the position provided (16).

- Align the tabs on the cassette with the cut outs (28) at the underside of the handle.
- Push the cassette into the handle until it snaps securely into place.

STORING THE HEAVY CUTTING LINE (FIG. 3)

- The unit is supplied with several pieces of spare heavy cutting line.
- The extra pieces of heavy cutting line can be stored securely in the recess in the handle (14).



RELEASING THE CUTTING LINE

For shipment purposes, the cutting line is taped to the spool housing.

- Remove the tape holding the cutting line (13) to the spool housing (12).

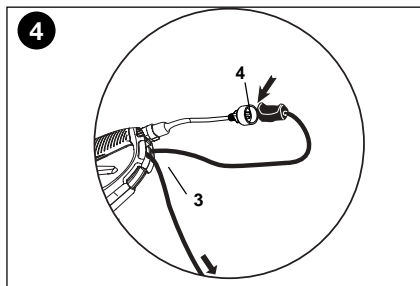
CONNECTING THE TOOL (FIG. 4)

- Connect the female plug of a suitable extension cord to the power inlet (4).
- Loop the cord through the cord restraint (3).
- Insert the plug into a receptacle.

⚠ WARNING:

Outdoor use extension cords:

To reduce the risk of electric shock, use only with an extension cord intended for outdoor use, such as an extension cord of type SW-A, SOW-A, STW-A, STOW-A, SJW-A, SJOW-A, SJTW-A, or SJTOW-A.



OPERATING INSTRUCTIONS

⚠ CAUTION: To avoid tool damage, let the tool work at its own pace. Do not overload.

SETTING THE TOOL TO TRIMMING OR EDGING MODE (FIG. 5, 6 & 7)

The tool can be used in trimming mode as shown in Fig. 5 or in edging mode to trim overhanging grass along lawn edges and flower beds as shown in Fig. 6.

⚠ CAUTION: To avoid tool damage, do not use the heavy duty cutting system for edging.

TRIMMING MODE (FIG. 5 & 6)

For trimming, the trimmer head should be in the position shown in Fig. 5. If it is not:

- Depress the adjustment button (7).
- Rotate the head (9), while releasing the button.
- When the head is in position, the button will lock into place.

Note: The head will only rotate in one direction.

EDGING MODE (FIG. 6)

For edging, the trimmer head should be in the position shown in Fig. 6. If it is not:

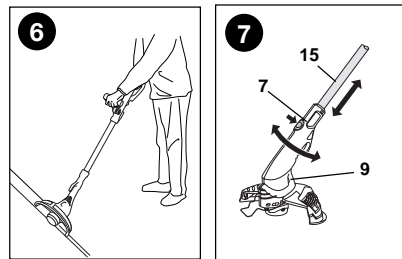
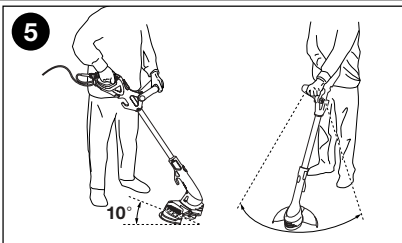
- Depress the adjustment button (7).
- Rotate the head (9), while releasing the button.
- When the head is in position, the button will lock into place.

Note: The head will only rotate in one direction.

⚠ CAUTION: To avoid tool damage, do not use the heavy duty cutting system for edging.

ADJUSTING THE HEIGHT OF THE TOOL (FIG. 7)

This tool has a telescopic mechanism, allowing you to set it to a comfortable height. There are three height settings. To adjust the height setting, proceed as follows:



- Depress the adjustment button (7).
- Gently pull the tube (15) in or out of the motor housing (9) to the desired height, while releasing the button.
- When the tube is in position, the button will lock into place.

SWITCHING ON AND OFF

- To switch the tool on, squeeze the trigger lever (1).
- To switch the tool off, release the trigger lever.

⚠ WARNING: To avoid serious injury, never attempt to lock the trigger lever in the on position.

HINTS FOR OPTIMUM USE

GENERAL

- In order to achieve optimum cutting results, only cut dry grass.

TRIMMING

- Hold the tool as shown in Fig. 5.
- Gently swing the trimmer from side to side.
- When cutting long grass, work in stages from the top. Take small cuts.
- Keep the tool away from hard objects and delicate plants.
- If the tool starts running slowly, reduce the load.

EDGING

- Optimum cutting results are achieved on edges deeper than 2 inches.
- Do not use the tool to create edges. To create edges, use an edging spade.
 - Guide the tool with edge guide on hard surface as shown in Fig. 6.
 - To make a closer cut, slightly tilt the tool.

MAINTENANCE

▲ WARNING: To avoid serious injury, switch off and unplug the tool before performing any maintenance.

Your tool has been designed to operate over a long period of time with a minimum of maintenance. Continuous satisfactory operation depends upon proper tool care and regular cleaning.

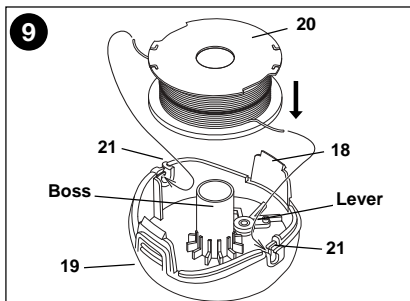
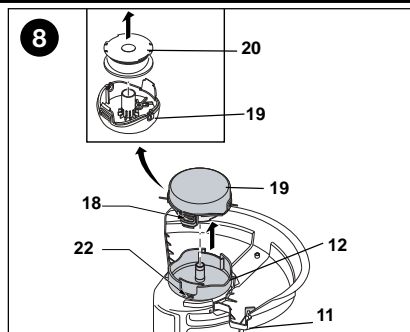
- Regularly clean the ventilation slots in your tool using a soft brush or dry cloth.
- Regularly clean the cutting line and spool using a soft brush or dry cloth.
- Regularly use a blunt scraper to remove grass and dirt from the underneath of the guard.

FITTING A NEW SPOOL OF AFS CUTTING LINE (FIG. 8 & 9)

Complete cassettes containing a spool of cutting line are available from your Craftsman dealer (item no. 85878).

- Unplug the tool.
- Depress the tabs (18) and remove the cassette (19) from the cassette housing (12) in the trimmer head. Fig. 8.
- Grasp empty spool (20) with one hand and cassette with other hand and pull spool out from cassette. If lever in base of cassette becomes dislodged, replace in correct position before inserting new spool into cassette.
- Remove any dirt and grass from the cassette and housing.
- Take the new spool and push it onto the boss (Fig. 9) in the cassette. Rotate the spool slightly until it is seated.
- Unclip the end of one of the cutting lines and guide the line into one of the eyelets (21). Fig. 9. The line should protrude approx. 4-3/8 in. from the cassette.
- Unclip the end of the other cutting line and guide the line into the other eyelet. The line should protrude approx. 4-3/8 in. from the cassette.
- Align the cassette tabs (18) with the slots (22) in the housing. Fig. 8.
- Push the cassette onto the housing until it snaps securely into place.

▲ CAUTION: To avoid tool damage, if the cutting lines protrude beyond the trimming blade (11), cut them off so that they just reach the blade.



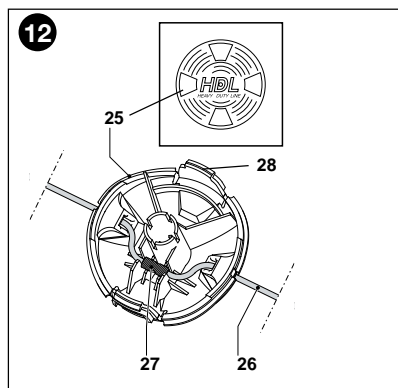
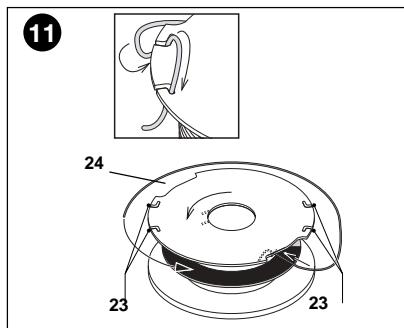
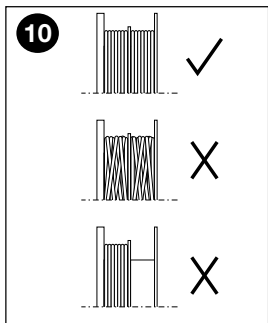
WINDING NEW LINE ONTO AN EMPTY SPOOL (FIG. 10 & 11)

You may wind new cutting line onto an empty spool. Replacement packs of 0.050" cutting line are available from your Craftsman dealer.

- Remove the empty spool from the tool as described above.
- Remove any remaining cutting line from the spool.
- First wind new line onto the uppermost part of the spool.
 - Feed 3/4 inch of cutting line into one of the line anchoring slots.
 - Wind the cutting line onto the spool in the direction of the arrow on the spool. Make sure to wind the line on neatly and in layers. Do not criss-cross. Fig. 10.
 - When the wound cutting line reaches the recesses (24), cut the line. Fig. 11.

- Temporarily park the line in the holding slots (23) on one side of the spool as shown in the inset in Fig. 11.
- Repeat the above procedure for the second cutting line on the lower section of the spool.
- Fit the spool onto the tool as described in Fitting a New Spool of Cutting Line.

▲ CAUTION: Before you begin trimming, only use the appropriate type of Craftsman cutting line. Ensure that cutting line is present in both sections of the spool. Fig. 9.



FITTING THE HDL CASSETTE (FIG. 12)

Your trimmer is shipped with the AFS cassette installed. To fit the HDL (Heavy Duty Line) cassette, proceed as follows:

- Unplug the tool.
- Keep the tabs (18) depressed and remove the AFS cassette (19) from the cassette housing (12) in the trimmer head. Fig. 8.
- Make sure a piece of heavy cutting line is correctly fitted to the HDL cassette, as described in Fitting a New Piece of Heavy Duty Cutting Line below. Fig. 12.
- Align the tabs on the HDL cassette with the slots (22, Fig. 8) in the cassette housing.
- Push the HDL cassette into the housing until it snaps securely into place.

FITTING A NEW PIECE OF HEAVY DUTY CUTTING LINE (FIG. 12)

Replacement pieces of heavy duty cutting line are available from your Craftsman dealer (item. no. 85876). To fit a new piece of cutting line, proceed as follows:

- Unplug the trimmer from its power source.
- Depress the tabs (28) and remove the HDL cassette (25) from the cassette housing (12, Fig. 8) in the trimmer head.
- Remove the used piece of line from the cassette.
- Remove any dirt and grass from the cassette and housing.
- Thread a new piece of line (26) through the holes in each side of the cassette.
- Place the metal ferrule (27) in position as shown.
- Align the cassette tabs with the slots (22, Fig. 8) in the housing.
- Push the cassette onto the housing until it snaps securely into place.

TROUBLESHOOTING

If your tool does not seem to operate properly, follow the instructions below. If this does not solve the problem, please contact your nearest Sears Parts & Repair Center.

▲ WARNING: To avoid serious injury, switch off and unplug the tool before performing any maintenance.

Tool runs slowly

- Check that the cassette housing (12) can rotate freely. Carefully clean it if necessary.
- Check that the cutting line does not protrude more than 4-3/8 in. from the cassette. If it does, cut it off so that it just reaches the line trimming blade.

Automatic line feed does not work

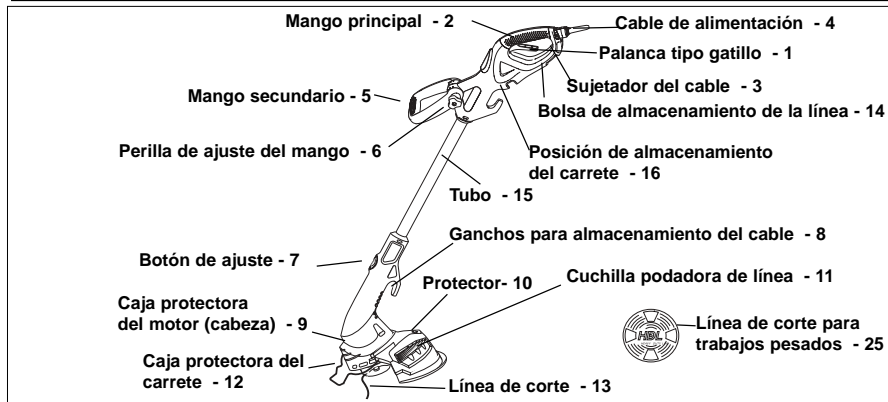
- Keep the tabs depressed and remove the cassette from the cassette housing in the trimmer head.
- Pull the cutting line until it protrudes 4-3/8 in. from the cassette. If insufficient cutting line is left on the spool, install a new spool of cutting line.
- Align the tabs on the cassette with the cut outs in the housing.
- Push the cassette onto the housing until it snaps securely into place.
- If the cutting line protrudes beyond the trimming blade, cut it off so that it just reaches the blade.

If the automatic line feed still does not work or the spool is jammed, try the following suggestions:

- Carefully clean the cassette and housing.
- Remove the spool and check if the lever in the cassette can move freely.
- Remove the spool and unwind the cutting line, then wind it on neatly again. Replace the spool into the cassette.

Diagram

DIAGRAMA DE LA PODADORA/ORILLADORA



GARANTÍA SEARS

GARANTÍA COMPLETA POR UN AÑO PARA LA PODADORA CRAFTSMAN

Si este producto Craftsman presenta fallas debido a material o mano de obra defectuosos, durante el transcurso del primer año a partir de la fecha de compra, devuélvalo a la tienda Sears o Craftsman más cercana para que se lo reemplacen sin costo alguno.

Esta garantía es válida solamente si esta podadora/orilladora se utiliza en los Estados Unidos.

Esta garantía le otorga derechos legales específicos y otros derechos que pueden variar dependiendo del estado.

Sears, Roebuck and Co., Dept. 817WA, Hoffman Estates, IL 60179



ADVERTENCIA: INSTRUCCIONES Y ADVERTENCIAS DE SEGURIDAD IMPORTANTES

GUARDE ESTAS INSTRUCCIONES

PARA REDUCIR EL RIESGO DE LESIONES:

- Antes de cualquier uso, asegúrese que cualquier persona que vaya a utilizar esta herramienta lea y comprenda todas las instrucciones de seguridad y demás información contenida en este manual.
- Conserve estas instrucciones y repáselas con frecuencia antes de usar la herramienta y al instruir a otras personas.

ADVERTENCIA: Siempre que utilice aparatos eléctricos de jardinería debe seguir ciertas precauciones básicas de seguridad, entre las que se encuentran las siguientes, a fin de reducir los riesgos de incendio, choque eléctrico y lesiones corporales.

LEA TODAS LAS INSTRUCCIONES.



ADVERTENCIAS E INSTRUCCIONES GENERALES DE SEGURIDAD PARA TODA HERRAMIENTA

- **UTILICE SIEMPRE PROTECCIÓN OCULAR** – Utilice lentes o gafas de seguridad siempre que esta herramienta esté enchufada.
- **PROTECTOR** – No utilice esta herramienta si no tiene instalado el protector.
- **VÍSTASE DE MANERA ADECUADA** – No se vista con prendas sueltas ni artículos de joyería. Estos pueden quedar

atrapados en las piezas móviles. Se recomienda el empleo de guantes de goma y de calzado resistente con suela de goma cuando trabaje a la intemperie. No opere la herramienta con los pies descalzos o con sandalias abiertas. Utilice pantalones largos para proteger sus piernas. Cúbrase el cabello si lo tiene largo.

- **LÍNEA DE NYLON** – Conserve la cara, las manos y los pies alejados de la línea de nylon giratoria en todo momento.
- **LA LÍNEA DE GIRATORIA EFECTÚA UNA FUNCIÓN DE CORTE** – Tenga cuidado cuando recorte alrededor de biombos y plantas que desea conservar.
- **CONSERVE ALEJADOS A ESPECTADORES** - A una distancia segura del área de trabajo. Especialmente a los niños.
- **IMPORTANTE** – Cuando utilice la unidad como orilladora, tenga cuidado ya que la línea puede despedir piedras, piezas de metal y otros objetos a alta velocidad. La herramienta y el protector están diseñados para disminuir este peligro. Sin embargo, debe tomar las siguientes precauciones especiales:
- **ASEGÚRESE** que otras personas y mascotas estén a por lo menos 30,5 metros (100 pies) de distancia.
- **PARA REDUCIR EL RIESGO** de lesiones causadas por rebote, trabaje desde cualquier objeto sólido como un muro, escalones, piedras grandes, árboles, etc., hacia afuera. Tenga mucho cuidado cuando trabaje cerca de este tipo de objetos y, cuando sea necesario, orille o pade a mano.
- **EVITE EL ENCENDIDO ACCIDENTAL** - No transporte la unidad enchufada con el dedo en el gatillo.
- **NO FUERCE LA HERRAMIENTA** - A una velocidad mayor a la que utiliza para cortar con eficacia.
- **EMPLEE LA HERRAMIENTA ADECUADA** - No utilice esta herramienta en tareas para las que no fue diseñada.
- **NO SE SOBREEXTIENDA** – Conserve siempre el equilibrio y los pies bien apoyados.
- **NO MALTRATE EL CABLE** - No tire del cable para desconectarlo de la toma de corriente. Consérvelo alejado de calor, grasas y cantos afilados.
- **DAÑOS A LA UNIDAD** - Si golpea la unidad o ésta se atasca con algún objeto extraño, apáguela inmediatamente, desenchúfela y verifique si se produjeron daños. Si los hay, haga reparar la unidad antes de intentar volver a usarla. No la utilice si el carrete o el cubo se rompen.
- **DAÑOS AL CABLE** - Conserve alejado al cable de la línea giratoria. Si daña el cable eléctrico, desconéctelo de la toma de corriente antes de mover la unidad o examinar el daño. El cable dañado debe reemplazarse antes de usar de nuevo la herramienta.
- **DESCONECTE LA HERRAMIENTA** - Cuando no la use, cuando cambie la línea o antes de limpiar la unidad.
- **EVITE CONDICIONES AMBIENTALES PELIGROSAS** - No utilice herramientas eléctricas en lugares húmedos o mojados. Siga todas las instrucciones contenidas en este manual para el funcionamiento adecuado de su herramienta. No utilice la unidad bajo la lluvia.
- **NO OPERE** herramientas eléctricas portátiles en atmósferas gaseosas o explosivas. Los motores de estas herramientas producen chispas en condiciones normales y estas chispas pueden provocar la ignición de los gases.
- **GUARDE SUS HERRAMIENTAS BAJO TECHO CUANDO NO LAS EMPLEE** – Las herramientas que no se emplean deben guardarse bajo techo en un lugar seco y bajo llave, fuera del alcance de los niños.
- Se debe proteger los circuitos o tomas de corriente a ser utilizados para el aparato de jardinería con **INTERRUPTORES DE CIRCUITO EN CASO DE FALLAS DE CONEXIÓN A TIERRA (GFCI)**. Existen tomas de corriente con protección GFCI integrada y se pueden utilizar para esta medida de seguridad.
- **ASEGURE EL ALARGADOR** con el sujetador de cable ilustrado en la Figura 4.
- **ESTÉ ALERTA** - Concéntrese en lo que esté haciendo. Utilice el sentido común. No opere la herramienta cuando esté cansado.
- **CUIDE SUS APARATOS** - Siga las instrucciones de lubricación y cambio de accesorios. Revise sus alargadores periódicamente y cámbielos si están dañados. Conserve los mangos secos, limpios y libres de aceite y grasa.
- **REVISE LAS PARTES DAÑADAS.** Antes de seguir empleando cualquier aparato, es indispensable revisar con mucho cuidado para determinar si un protector u otra parte dañada podrá operar de la manera adecuada para cumplir con su función. Revise las partes móviles para ver que estén bien alineadas, no trancadas ni rotas ni montadas una sobre otra o que presenten cualquier otra condición que pudiera afectar su operación. Un protector u otra parte dañada debería repararse debidamente o cambiarse en un centro de servicio calificado, a menos que se indique otra cosa en este manual.

⚠ADVERTENCIA: Cuando efectúe servicio a herramientas con doble aislamiento, **UTILICE ÚNICAMENTE REPUESTOS ORIGINALES.** Repare o reemplace cables dañados.

⚠ADVERTENCIA: Para evitar el riesgo de choque eléctrico, utilice solamente con un alargador para uso a la intemperie. Conecte siempre los alargadores a una línea protegida por un fusible o por un interruptor de circuito.

• **ALARGADORES.** Asegúrese que su alargador esté en buenas condiciones. Cuando utilice un alargador, asegúrese de que tenga el calibre necesario para soportar la corriente que su unidad requerirá. Un alargador con calibre insuficiente ocasionará una caída en el voltaje de la línea, causando pérdida de potencia y sobrecalentamiento. La tabla que sigue muestra el calibre correcto para emplearse dependiendo de la longitud del cable y el amperaje señalado en la placa de identificación. Si tiene alguna duda, utilice el calibre superior siguiente. Mientras menor sea el número del calibre, mayor será su

capacidad. Para reducir el riesgo de que el aparato se desconecte del alargador durante la operación, utilice el sujetador de cable que se describe en este manual.

⚠ADVERTENCIA: Extensiones para uso a la intemperie:

Para reducir los riesgos de choque eléctrico, únicamente utilice alargadores fabricados para trabajo a la intemperie, como los tipos SW-A, SOW-A, STW-A, STOW-A, SJW-A, SJOW-A, SJTW-A ó SJTOW-A.

Calibre mínimo para alargadores (AWG)				
Herramientas a 120 VCA				
Longitud total del cable	0-7,6	7,6-15,2	15,2-30,5	30,5-45,7
Amperaje	AWG	AWG	AWG	AWG
Más de 0	18	16	16	14
No más de 6				
Más de 6	18	16	14	12
No más de 10				
Más de 10	16	16	14	12
No más de 12				
Más de 12	14	12	No se	
No más de 16			Recomienda	

⚠ADVERTENCIAS IMPORTANTES PARA ORILLADORAS DE LINEA

- El protector debe instalarse antes de podar u orillar - de lo contrario, el motor se sobrecalentará.
- Cuando cambie la línea de alimentación AFS, utilice sólo línea TORCIDA de 1,65 mm (0.060 pulg.) de diámetro - de otra manera, la unidad no funcionará adecuadamente.
- Cuando cambie la línea fija HDL, use sólo línea Craftsman, artículo no. 85876.
- No golpee la cabeza de alimentación contra el suelo pues afectará al mecanismo de alimentación.
- Incline la unidad ligeramente (5° a 10°) cuando podes.
- Utilice siempre el sujetador de cable.
- Vista pantalones largos y calzado resistente para protegerse de lesiones ocasionadas por objetos despedidos. Esto es de especial importancia cuando orille con el aparato.

⚠ADVERTENCIAS DE SEGURIDAD

DOBLE AISLAMIENTO

☐ **NOTA:** Este símbolo indica doble aislamiento. Las herramientas con doble aislamiento están construidas con dos capas diferentes de aislamiento eléctrico o una capa de aislamiento de espesor doble entre usted y el sistema eléctrico de la herramienta. Las herramientas con doble aislamiento no necesitan conectarse a tierra. Como resultado, su herramienta está equipada con un enchufe de dos patas que le permite utilizar alargadores sin preocuparse de mantener la conexión a tierra.

NOTA: El doble aislamiento no reemplaza las precauciones normales de seguridad cuando se opere la herramienta. El

sistema de aislamiento le proporciona protección adicional contra las lesiones resultantes de posibles fallas en el aislamiento eléctrico de la herramienta.

REPUESTOS: EMPLEE REPUESTO ORIGINALES cuando haga servicio a toda herramienta.

ENCHUFES POLARIZADOS

Cambie o repare cables dañados. Este equipo cuenta con un enchufe polarizado (con una pata más ancha que la otra) para reducir el riesgo de choque eléctrico. El equipo debe utilizarse con un alargador adecuado para trabajo a la intemperie de 3 hilos. Las conexiones polarizadas solamente pueden ser conectadas de una manera. Asegúrese

que el extremo del alargador que irá enchufado en la toma de corriente tenga ranuras con anchos grandes y pequeños. Si el enchufe no entra completamente al alargador, inviértalo. Si aún así no entra, consiga un alargador adecuado. Si el alargador no entra por completo a la toma de corriente comuníquese con un electricista calificado para que le instale la toma de corriente adecuada. Por ningún motivo altere el enchufe o el alargador en ninguna manera.

ADVERTENCIA ESPECÍFICA

▲ **ADVERTENCIA:** Parte del polvo originado por este producto contiene químicos que en el estado de California se consideran como causantes de cáncer, defectos congénitos u otros daños reproductivos. Algunos ejemplos

de estos químicos son:

- compuestos en fertilizantes
- compuestos en insecticidas, herbicidas y pesticidas
- arsénico y cromo de madera tratada químicamente

Para reducir su exposición a estos químicos, utilice equipo de seguridad aprobado como máscaras contra polvo diseñadas específicamente para filtrar partículas microscópicas.

▲ **ADVERTENCIA:** Este producto contiene químicos, incluyendo plomo, que en el estado de California se consideran como causantes de cáncer, defectos congénitos u otros daños reproductivos. Lave sus manos después de manejarlo.

GUARDE ESTAS INSTRUCCIONES

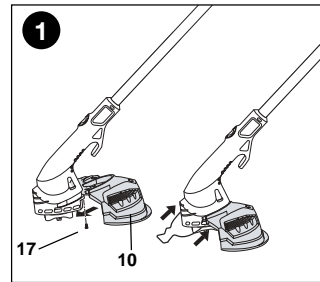
INSTRUCCIONES DE ENSAMBLAJE

ENSAMBLAJE

▲ **ADVERTENCIA:** Para evitar causar lesiones graves, asegúrese que el conmutador de la herramienta esté apagado y que el cable esté desenchufado antes de ensamblar la herramienta.

INSTALACIÓN DEL PROTECTOR (FIG.1)

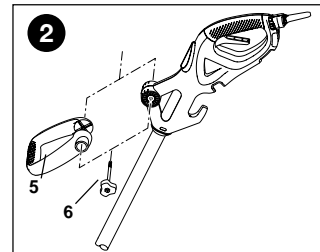
- Quite el tornillo (17) del protector (10).
- Coloque el protector en la herramienta, como aparece ilustrado.
- Presione firmemente sobre el protector hasta que encaje en su sitio.
- Asegure el protector con el tornillo.



▲ **ADVERTENCIA:** Para evitar causar lesiones graves, nunca utilice esta herramienta si el protector no está debidamente instalado.

INSTALACIÓN DEL MANGO SECUNDARIO (FIG. 2)

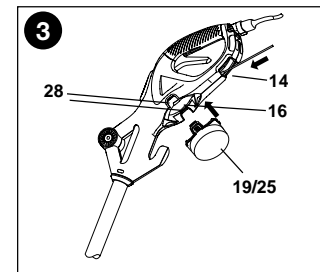
- Coloque el mango (5) en la herramienta, como aparece ilustrado.
- Ajuste el mango a la posición más cómoda. Utilice las marcas como guías.
- Pase el perno (6) por el mango secundario y el mango principal.
- Atornille el perno en el otro extremo del mango secundario. No ajuste el perno demasiado.



ALMACENAMIENTO DEL CASSETTE QUE NO ESTÁ EN USO (FIG. 3)

La herramienta tiene dos cassettes de corte:

- **AFS:** Línea doble con sistema de autoalimentación, para cortes ligeros y orillado.



- **HDL:** Sistema de corte para trabajo pesado, para aquellas áreas que requieren más corte.

El cassette de corte que no esté en uso puede ser almacenado en el lugar proporcionado (16).

- Alinee las lengüetas del cassette con los orificios (28) que se encuentran en la parte inferior del mango.
- Empuje el cassette en el mango hasta que encaje firmemente en su sitio.

ALMACENAMIENTO DE LA LÍNEA DE CORTE PARA TRABAJO PESADO (FIG. 3)

- La unidad viene con varias piezas de líneas de corte adicionales.
- Las piezas adicionales de línea de corte para trabajo pesado pueden almacenarse en forma segura en la hendidura del mango (14).

LIBERACIÓN DE LA LÍNEA DE CORTE

Para su transporte, la línea de corte viene pegada con cinta adhesiva a la caja protectora del carrete.

- Quite la cinta adhesiva que sujeta la línea de corte (13) a la caja protectora del carrete (12).

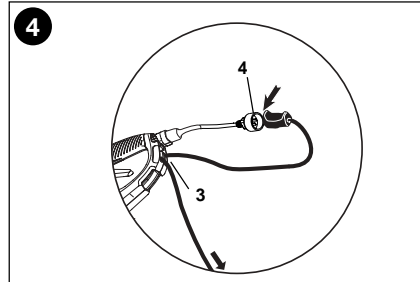
CONEXIÓN DE LA HERRAMIENTA (FIG. 4)

- Conecte el enchufe hembra de un alargador apropiado a la entrada de corriente (4).
- Enrolle el cable en el sujetador del cable (3).
- Inserte el enchufe en la toma de corriente.

⚠ ADVERTENCIA:

Alargadores para el exterior:

Para reducir el riesgo de descargas eléctricas, use sólo con un alargador apropiado para uso en el exterior, tales como los de tipo SW-A, SOW-A, STW-A, STOW-A, SJW-A, SJOW-A, SJWTW-A ó SJTOW-A.



INSTRUCCIONES DE OPERACIÓN

- ⚠ **PRECAUCIÓN:** Para evitar causar daños a la herramienta, deje que esta haga su trabajo a su propia velocidad. No sobrecargue la unidad.

MODALIDAD DE PODADO U ORILLADO (FIG. 5, 6 y 7)

Esta herramienta puede utilizarse en modalidad de podado, como lo muestra la Fig. 5 ó de orillado para podar pasto que sobresalga de los bordes del jardín y de jardineras, como lo muestra la Fig. 6.

- ⚠ **PRECAUCIÓN:** Para evitar causar daños a la herramienta, no utilice el sistema de corte para trabajo pesado cuando orille.

MODALIDAD DE PODADO (FIG. 5 y 6)

Para podar, el cabezal de corte debería encontrarse en la posición ilustrada en la Fig. 5. Si no lo está,

- Presione el botón de ajuste (7).
- Gire el cabezal (9), al tiempo que suelta el botón.
- Cuando el cabezal esté en posición, el botón encajará en su sitio.

Nota: El cabezal sólo gira en una dirección.

MODALIDAD DE ORILLADO (FIG. 6)

Para orillar, el cabezal de corte debería encontrarse en la posición ilustrada en la

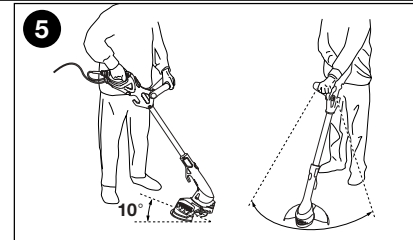


Fig. 6. Si no lo está,

- Presione el botón de ajuste (7).
- Gire el cabezal (9), al tiempo que suelta el botón.
- Cuando el cabezal esté en posición, el botón encajará en su sitio.

Nota: El cabezal sólo gira en una dirección.

- ⚠ **PRECAUCIÓN:** Para evitar causar daños a la herramienta, no utilice el sistema de corte para trabajo pesado cuando orille.

AJUSTE DE LA ALTURA DE LA HERRAMIENTA (FIG. 7)

Esta herramienta tiene un mecanismo telescópico que le permite fijarla a una altura de mayor comodidad para usted. Existen tres configuraciones de altura. Para ajustar la altura, siga los siguientes pasos:

- Presione el botón de ajuste (7).
- Suavemente deslice el tubo (15) hacia adentro o afuera de la caja protectora del motor (9) hasta que quede a la altura deseada, al tiempo que suelta el botón. Cuando el tubo esté en posición, el botón encajará en su sitio.

ENCENDIDO Y APAGADO

- Para encender la herramienta, apriete la palanca tipo gatillo (1).
- Para apagar la herramienta, suelte la palanca tipo gatillo.

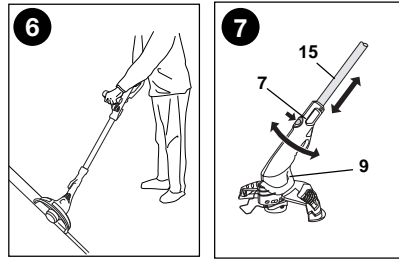
⚠ ADVERTENCIA: Para evitar causar lesiones graves, nunca trate de dejar bloqueada la palanca tipo gatillo en la posición encendida.

CONSEJOS PARA SU USO ÓPTIMO GENERAL

- Para poder lograr resultados óptimos en sus cortes, no corte pasto mojado.

PODADO

- Sostenga la herramienta como lo muestra la Fig. 5
- Oscile la cortadora suavemente, de lado a lado.
- Cuando corte pasto largo, trabaje en etapas empezando por las puntas. Haga cortes pequeños.



- Mantenga la herramienta alejada de objetos duros y de plantas delicadas.
- Si la herramienta empieza a disminuir su velocidad de operación, reduzca la carga.

ORILLADO

Los mejores resultados de corte se logran en bordes de más de 5 cm (2 pulg.) de profundidad.

- No use la herramienta para crear bordes. Para crear bordes use una pala de orillado.
- Guíe la herramienta con la guía de orilla sobre una superficie dura, como se muestra en la Fig. 6.
- Para hacer un corte más apegado al suelo, incline ligeramente la herramienta.

MANTENIMIENTO

⚠ ADVERTENCIA: Para evitar causar lesiones graves, apague y desenchufe la herramienta antes de realizar cualquier tipo de mantenimiento.

Su herramienta ha sido diseñada para que opere por períodos largos de tiempo necesitando sólo un mínimo de mantenimiento. Su operación satisfactoria depende del cuidado debido y la limpieza de la herramienta.

- Limpie en forma regular las rejillas de ventilación en su herramienta usando una escobilla suave o un paño seco.
- Limpie en forma regular la línea de corte y el carrete con una escobilla suave o un paño seco.
- Utilice en forma regular un raspador romo para quitarle el pasto y la tierra a la parte inferior del protector.

INSTALACIÓN DE UN NUEVO CARRETE DE LÍNEA AFS DE CORTE (FIG. 8 y 9)

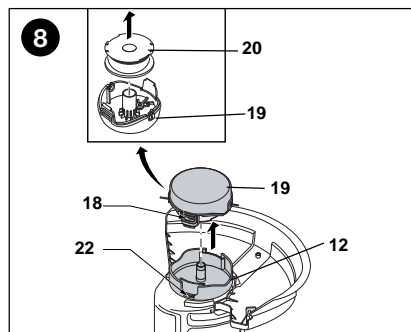
Podrá encontrar cassettes completos con un carrete de línea de corte en su distribuidor Craftsman (artículo no. 85878)

- Desenchufe la herramienta.
- Presione las lengüetas (18) y quite el

cassette (19) de la caja protectora del cassette (12) en el cabezal de corte. Fig. 8

- Tome el carrete vacío (20) con una mano y el cassette con la otra y tire del carrete para sacarlo del cassette. Si la palanca de la base del cassette se sale, póngala de regreso en la posición correcta antes de insertar el carrete nuevo en el cassette.
- Quite cualquier tierra y pasto que pueda encontrar en el cassette y su caja protectora.
- Tome el carrete nuevo y empújelo en el cubo (Fig. 9) del cassette. Gire ligeramente el carrete hasta que esté debidamente asentado.
- Desenganche el extremo de una de las líneas de corte y guíe la línea por uno de los ojetes (21). Fig. 9. La línea debería sobresalir aproximadamente 11 cm (4-3/8 pulg.) del cassette.
- Desenganche el extremo de la otra línea de corte y guíe la línea por el otro ojete. La línea debería sobresalir aproximadamente 11 cm (4-3/8 pulg.) del cassette.

- Alinee las lengüetas del cassette (18) con las ranuras (22) de la caja protectora. Fig. 8.
- Empuje el cassette en la caja protectora hasta que encaje en su sitio.

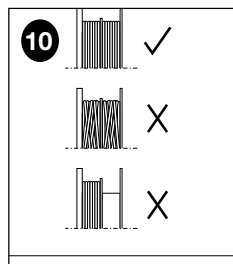
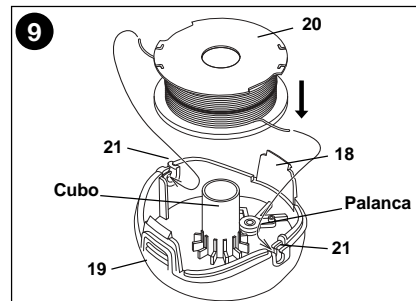


⚠ PRECAUCIÓN: Para evitar causar daños a la herramienta, recorte las líneas de corte si estas sobresalen más allá de la cuchilla de corte (11), de modo que apenas alcancen la cuchilla.

ENROLLADO DE UNA LÍNEA NUEVA EN UN CARRETE VACÍO (FIG. 10 Y 11)

Puede enrollar una línea nueva de corte en un carrete vacío. Podrá encontrar paquetes de línea de corte de 0,13 cm (0,050 pulg.) en su distribuidor Craftsman.

- Quite el carrete vacío de la herramienta, como se describe más arriba.
- Quite cualquier pedazo de línea de corte que quede en el carrete.
- Primero enrolle la línea nueva en la parte superior del carrete.
 - Inserte 1,9 cm (3/4 pulg.) de la línea de corte en una de las ranuras de anclaje de la línea.
 - Enrolle la línea de corte en el cassette en la dirección de la flecha que aparece en el carrete. Asegúrese de enrollar la línea en forma ordenada, por capas. No entrecruce. Fig. 10.
 - Cuando la línea de corte enrollada alcance las hendiduras (24), corte la línea. Fig. 11.
 - Use las ranuras de sujeción (23) para temporalmente fijar la línea en un lado del carrete, como se muestra en el recuadro de la Fig. 11.
- Repita el procedimiento señalado arriba para la segunda línea de corte de la sección inferior del carrete.
- Ponga el carrete en la herramienta, como se describe en la sección 'Instalación de un nuevo carrete de línea de corte.'

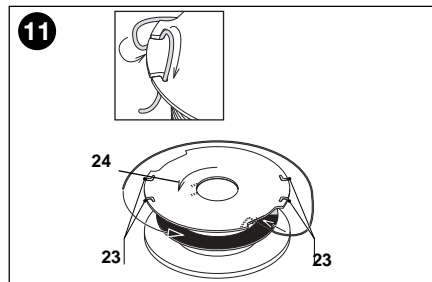


⚠ PRECAUCIÓN: Antes de comenzar a cortar, use sólo el tipo apropiado de línea de corte Craftsman. Asegúrese que la línea de corte esté presente en ambas secciones del carrete. Fig. 9.

INSTALACIÓN DEL CASSETTE HDL (FIG. 12)

Su cortadora viene con el cassette AFS instalado. Para instalar el cassette HDL (Línea para trabajo pesado), siga los siguientes pasos:

- Desenchufe la herramienta.
- Presione y sostenga las lengüetas (18) mientras saca el cassette AFS (19) de



la caja protectora del cassette (12) en el cabezal de corte. Fig. 8.

- Asegúrese que una pieza de la línea de corte para trabajo pesado esté debidamente insertada en el cassette HDL, como se describe en 'Instalación de una pieza nueva de línea de corte para trabajo pesado', más abajo. Fig. 12.
- Alinee las lengüetas del cassette HDL con las ranuras (22, Fig. 8) de la caja protectora del cassette.
- Empuje el cassette HDL en la caja protectora hasta que encaje firmemente en su sitio.

INSTALACIÓN DE UNA PIEZA NUEVA DE LÍNEA DE CORTE PARA TRABAJO PESADO (FIG. 12)

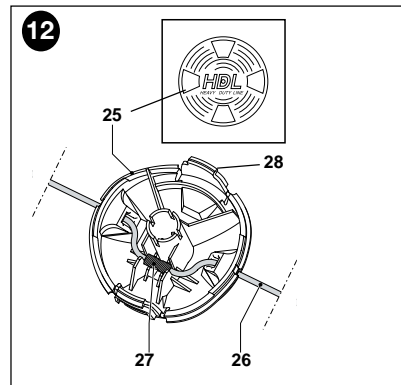
Podrá encontrar repuestos de línea de corte para trabajo pesado en su distribuidor Craftsman (artículo no. 85876). Para insertar una nueva pieza de línea de corte, haga lo siguiente:

- Desenchufe la podadora de su fuente de alimentación eléctrica.
- Presione las lengüetas (28) y quite el cassette HDL (25) de la caja protectora del cassette (12, Fig. 8) en el cabezal de corte.
- Quite la pieza usada de la línea del cassette.
- Quite cualquier tierra y pasto que pueda encontrar en el cassette y su caja protectora
- Enhebre una nueva pieza de línea (26) por los orificios a cada lado del cassette.
- Coloque la contera de metal (27) en la posición indicada.
- Alinee las lengüetas del cassette con las ranuras (22, Fig. 8) de la caja protectora.
- Empuje el cassette en la caja protectora hasta que enganche firmemente en su sitio.

RESOLUCIÓN DE PROBLEMAS

Si su herramienta no pareciera estar funcionando debidamente, siga las instrucciones de más abajo. Si esto no resuelve el problema, por favor póngase en contacto con su Centro de Repuestos y Reparaciones Sears más cercano.

⚠ ADVERTENCIA: Para evitar causar lesiones graves, apague y desenchufe la herramienta antes de realizar cualquier tipo de mantenimiento.



Si la herramienta anda demasiado lenta

- Revise que la caja protectora del cassette (12) pueda girar libremente. Límpiela con mucho cuidado si es necesario.
- Revise que la línea de corte no sobresalga más de 11 cm (4-3/8 pulg.) del cassette. Si sobresale más, córtela de modo que apenas alcance la cuchilla podadora de línea.

Si la alimentación automática de la línea no funciona

- Mantenga presionadas las lengüetas y saque el cassette de la caja protectora del cassette en el cabezal de la cortadora.
- Tire de la línea de corte hasta que sobresalga 11 cm (4-3/8 pulg.) del cassette. Si queda poca línea de corte en el carrete, instale un carrete nuevo de línea de corte.
- Alinee las lengüetas en el cassette con los orificios de la caja protectora.
- Empuje el cassette en la caja protectora hasta que encaje firmemente en su sitio.
- Si la línea de corte sobresale más allá de la cuchilla podadora, recórtela de modo que apenas alcance la cuchilla.

Si la alimentación automática de la línea aún no funciona o si el carrete está trancado, pruebe alguna de las siguientes sugerencias:

- Limpie cuidadosamente el cassette y la caja protectora.
- Quite el carrete y revise si la palanca del cassette se puede mover libremente.
- Quite el carrete y desenrolle la línea de corte, luego enróllela nuevamente, en forma ordenada. Vuelva a poner el carrete en el cassette.

Get it fixed, at your home or ours!

Your Home

For repair - **in your home** - of **all** major brand appliances, lawn and garden equipment, or heating and cooling systems, **no matter who made it, no matter who sold it!**

For the replacement parts, accessories and owner's manuals that you need to do-it-yourself.

For Sears professional installation of home appliances and items like garage door openers and water heaters.

1-800-4-MY-HOME® Anytime, day or night
(1-800-469-4663) (U.S.A. and Canada)
www.sears.com www.sears.ca

Our Home

For repair of carry-in products like vacuums, lawn equipment, and electronics, call or go on-line for the nearest **Sears Parts and Repair Center.**

1-800-488-1222 Anytime, day or night (U.S.A. only)
www.sears.com

To purchase a protection agreement (U.S.A.) or maintenance agreement (Canada) on a product serviced by Sears:

1-800-827-6655 (U.S.A.) **1-800-361-6665** (Canada)

Para pedir servicio de reparación a domicilio, y para ordenar piezas:

1-888-SU-HOGARSM
(1-888-784-6427)

Au Canada pour service en français:

1-800-LE-FOYER^{MC}
(1-800-533-6937)
www.sears.ca

SEARS

© Sears, Roebuck and Co.

® Registered Trademark / TM Trademark / SM Service Mark of Sears, Roebuck and Co.

© Marca Registrada / TM Marca de Fábrica / SM Marca de Servicio de Sears, Roebuck and Co.

^{MC} Marque de commerce / ^{MD} Marque déposée de Sears, Roebuck and Co.

Free Manuals Download Website

<http://myh66.com>

<http://usermanuals.us>

<http://www.somanuals.com>

<http://www.4manuals.cc>

<http://www.manual-lib.com>

<http://www.404manual.com>

<http://www.luxmanual.com>

<http://aubethermostatmanual.com>

Golf course search by state

<http://golfingnear.com>

Email search by domain

<http://emailbydomain.com>

Auto manuals search

<http://auto.somanuals.com>

TV manuals search

<http://tv.somanuals.com>