

SAVE THIS MANUAL FOR
FUTURE REFERENCE

owner's manual

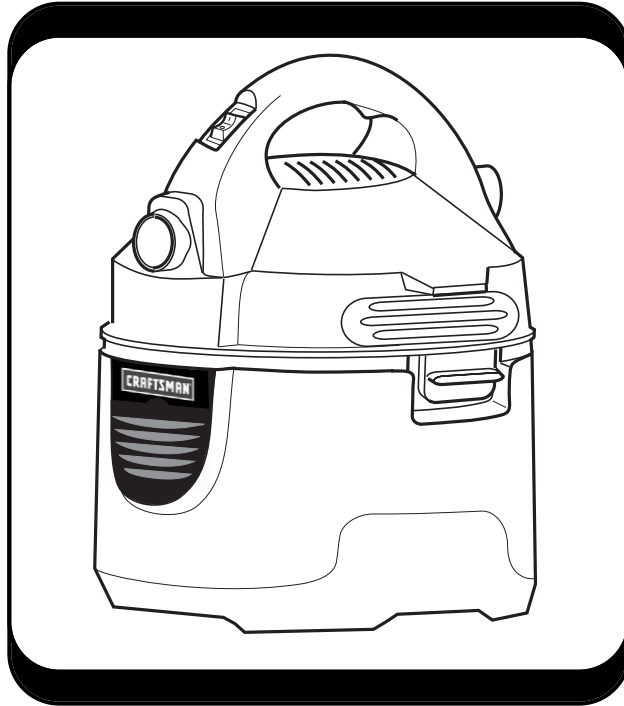
MODEL NO.
113.177135

Serial
Number _____

Model and serial
numbers may be
found on the handle.
You should record
both model and serial
numbers in a safe
place for future use.

FOR YOUR SAFETY

READ ALL
INSTRUCTIONS
CAREFULLY



CRAFTSMAN®

2 GALLON WET/DRY VAC

- operating
- maintenance

Sears, Roebuck and Co., Hoffman Estates, IL 60179 U.S.A.

Part No. SP6523

Printed in China

FULL ONE YEAR WARRANTY ON CRAFTSMAN WET/DRY VACS

If this Craftsman Wet/Dry Vac fails due to a defect in material or workmanship within one year from the date of purchase, return it to your nearest Sears Store, and it will be replaced or repaired, at Sears option, free of charge.

If this Craftsman Wet/Dry Vac is used for commercial or rental purposes, this warranty applies for only 90 days from the date of purchase.

This warranty applies only while this product is used in the United States.

This warranty gives you specific legal rights, and you may also have other rights which vary from state to state.

Sears, Roebuck and Co., D817 WA, Hoffman Estates, IL. 60179

WARNING: The power cord on this product contains lead, a chemical known in the State of California to cause birth defects or other reproductive harm. *Wash hands after handling.*

IMPORTANT SAFETY INSTRUCTIONS

Safety is a combination of common sense, staying alert, and knowing how your Wet/Dry Vac works.

Safety Signal Words

DANGER: Indicates an imminently hazardous situation which, if not avoided, will result in death or serious injury.

WARNING: Indicates a potentially hazardous situation which, if not avoided, could result in death or serious injury.

CAUTION: Indicates a potentially hazardous situation which, if not avoided, may result in minor or moderate injury.

When using your Wet/Dry Vac ("Vac"), always follow basic safety precautions including the following:

WARNING - To reduce the risk of fire, electric shock, or injury:

- Read and understand this owner's manual and all labels on the Vac before operating.
- Use only as described in this manual.
- Do not leave Vac running while unattended.
- Sparks inside the motor can ignite flammable vapors or dust. To reduce the risk of fire or explosion:

- Do not vacuum or use near flammable or combustible liquids, gases, or explosive dusts, such as gasoline or other fuels, lighter fluid, cleaners, oil based paints, natural gas, hydrogen, coal dust, magnesium dust, aluminum dust, grain dust, or gun powder.
- Do not use as a sprayer.
- Do not vacuum anything that is burning or smoking, such as cigarettes, matches, or hot ashes.
- Do not vacuum fireplace soot, plaster, cement, or drywall dust. These contain fine dust particles which may not be adequately captured by the filter and may be exhausted back into the air.
- To reduce the risk of health hazards from vapors or dust, do not vacuum toxic materials.
- Do not use or store near hazardous materials.
- To reduce the risk of electric shock, do not expose to rain or allow liquid to enter motor compartment. Store indoors.
- Do not allow to be used as a toy. Close attention is necessary when used by or near children.

- Do not use with a torn filter or without the filter installed except when vacuuming liquids as described in the operation section of this manual. Dry debris ingested by the impeller may damage the motor or be exhausted back into the air.
- Do not leave Vac plugged in. Unplug from outlet when not in use and before servicing.
- Turn off Vac before unplugging.
- To reduce the risk of injury from accidental starting, unplug power cord before changing or cleaning filter.
- Do not unplug by pulling on cord. To unplug, grasp the plug, not the cord.
- Do not use with damaged cord, plug or other parts. If your Vac is not working as it should, has missing parts, has been dropped, damaged, left outdoors, or dropped into water, return it to a Sears Service Center.
- Do not pull or carry by cord, use cord as handle, close a door on cord, or pull cord around sharp edges or corners. Do not run Vac over cord. Keep cord away from heated surfaces.
- Do not handle plug, switch, or the Vac with wet hands.
- Do not put any object into ventilation openings. Do not vacuum with any ventilation openings blocked; keep free of dust, lint, hair or anything that may reduce air flow.
- Keep hair, loose clothing, fingers, and all parts of body away from openings and moving parts.
- To reduce the risk of falls, use extra care when cleaning on stairs.
- To reduce the risk of personal injury or damage to Vac, use only Craftsman recommended accessories.
- When using as a blower:
 - Direct air discharge only at work area.
 - Turn unit off before setting on ground or releasing grasp from handle.
 - Do not set down in liquid; electric shock could occur.
 - Do not direct air at bystanders.

- Keep children away when blowing.
- Do not use blower for any job except blowing dirt and debris.
- Do not use as a sprayer.
- Wear safety eyewear.
- Connect only to a properly-grounded outlet. See grounding instructions.

WARNING: To reduce the risk of eye injury, wear safety eyewear. The operation of any utility vac or blower can result in foreign objects being blown into the eyes, which can result in severe eye damage. Always wear safety eyewear complying with ANSI Z87.1 (or in Canada CSA Z94.3) before starting operation. Everyday eyeglasses are not safety glasses and could seriously hurt you when they break.

CAUTION: To reduce the risk of hearing damage, wear ear protectors when using the vac for extended hours or when using it in a noisy area.

CAUTION: For dusty operations, wear dust mask.

NOTE: Static shocks are common in dry areas or when the relative humidity of the air is low. Vacuuming fine debris with your vac can deposit static charge on the hose or on the Vac. The best remedy to reduce the frequency of static shocks in your home or when using this Vac is to add moisture to the air with a humidifier.

WARNING: Use only extension cords that are rated for outdoor use. Extension cords in poor condition or that are too small in wire size can pose fire and shock hazards. To reduce the risk of these hazards when using an extension cord, be sure it is in good condition and that the connection does not come into contact with liquid. To keep power loss to a minimum, use the following table to choose the minimum wire size extension cord.

Extension Cord Length	Gauge A.W.G.
0-50 Ft.	14
50-100 Ft.	12

Observe the following warnings that appear on the motor housing of your Vac:

WARNING: To reduce the risk of electric shock - do not expose to rain - store indoors.

WARNING: For your own safety, read and understand owner's manual. Do not run unattended. Do not pick up hot ashes, coals, toxic, flammable or other hazardous materials. Do not use around explosive liquids or vapors.

SAVE THIS MANUAL FOR FUTURE REFERENCE

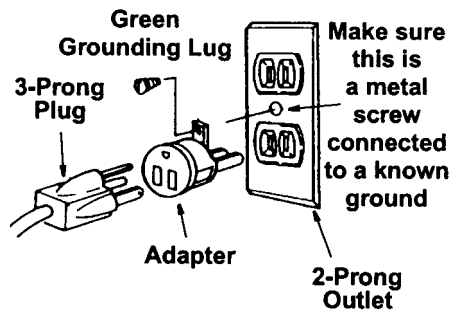
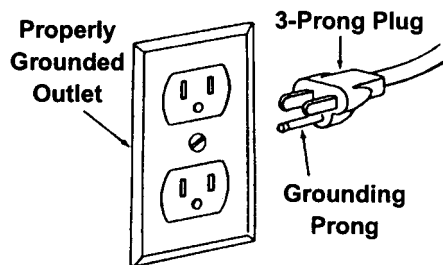
Grounding Instructions

This appliance must be grounded. If it should malfunction or break down, grounding provides a path of least resistance for electric current to reduce the risk of electric shock. This appliance is equipped with a cord having an equipment-grounding conductor and grounding plug. The plug must be inserted into an appropriate outlet that is properly installed and grounded in accordance with all local codes and ordinances.

WARNING: Improper connection of the equipment grounding conductor can result in a risk of electric shock. Check with a qualified electrician or service person if you are in doubt as to whether the outlet is properly grounded. Do not modify the plug provided with the appliance - if it will not fit the outlet, have a proper outlet installed by a qualified electrician.

a properly grounded outlet box cover. Whenever the adaptor is used, it must be held in place by a metal screw.

NOTE: In Canada, the use of a temporary adaptor is not permitted by the Canadian Electrical Code.



This appliance is for use on a nominal 120 volt circuit, and has a grounded plug that looks like the plug shown. A temporary adaptor that looks like the adaptor shown may be used to connect this plug to a 2-pole receptacle, as shown. If a properly grounded outlet is not available, the temporary adaptor should be used only until a properly grounded outlet can be installed by a qualified electrician. The green colored rigid ear, lug or the like extending from the adaptor must be connected to a permanent ground such as

Introduction

This vac is intended for household use only. It may be used for light vacuuming of wet or dry media and may also be used as a blower. The light weight design allows usage for most small household vacuuming chores. Familiarize yourself with the following product features and read the entire owner's manual for specific usage of your new wet/dry vac.

Table of Contents

Item	Page	Item	Page
Warranty.....	2	Operation.....	7
Important Safety Instructions.....	2	Vacuuming Dry Materials.....	8
Safety Signal Words.....	2	Vacuuming Liquids.....	8
Grounding Instructions.....	4	Emptying the Dust Drum.....	9
Introduction.....	5	Blowing Feature.....	9
Table of Contents.....	5	Maintenance.....	10
Unpacking and Checking Carton		Filter.....	10
Contents.....	5	Removal.....	10
Getting to Know Your Vac.....	6	Installation.....	10
Cord Storage.....	6	Cleaning.....	11
Hose Storage.....	6	Storage.....	11
		Accessories.....	11
		Troubleshooting.....	11

Unpacking and Checking Carton Contents

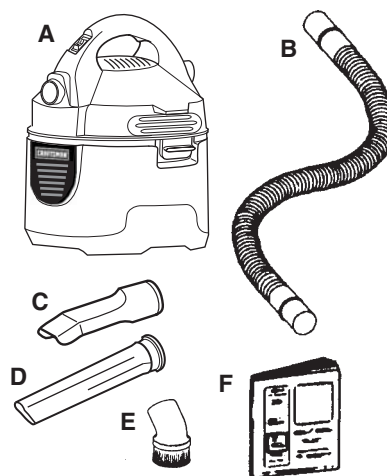
Remove entire contents of carton. Check each item against the Carton Contents List. Notify your Sears Store immediately if any parts are damaged or missing.

Carton Contents Lists

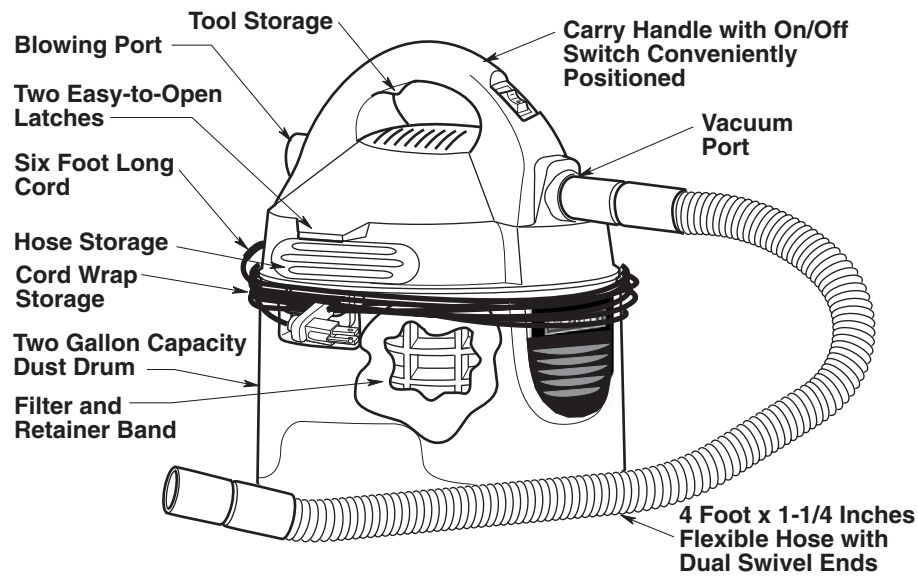
Key	Description	Qty.
A	Vac.....	1
B	Hose.....	1
C	Car Nozzle.....	1
D	Crevice Tool.....	1
E	Dusting Brush.....	1
F	Owners Manual.....	1

Replacement filters and retainer band (already assembled)

Sears retail replacement filters are sold by stock no. 9-16949.



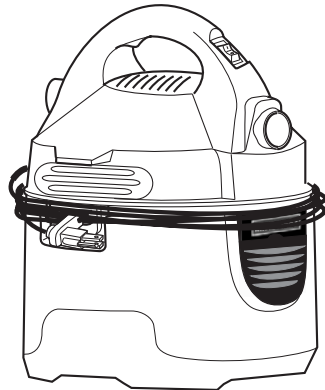
Getting to Know Your Vac



Cord Storage

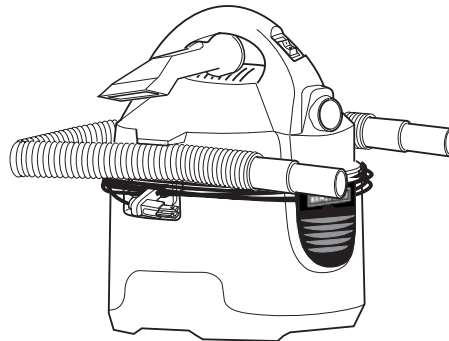
Coil the power cord tightly around the dust drum.

CAUTION: A partially unwrapped cord may fall in coils near your feet. To avoid this tripping hazard, always fully unwrap the cord before plugging it in.



Hose Storage

The power head has recesses on each side for hose storage.



Operation

WARNING

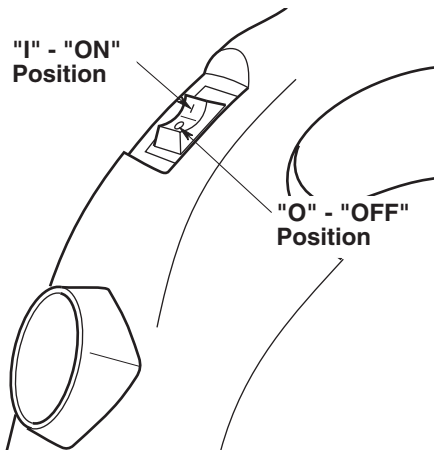
To reduce the risk of fire or explosion, do not operate this vac in areas with flammable gases, vapors or explosive dust in the air. Flammable gases or vapors include but are not limited to: lighter fluid, solvent type cleaners, oil-base paints, gasoline, alcohol or aerosol sprays. Explosive dusts include but are not limited to: coal, magnesium, aluminum, grain or gun powder. Do not vacuum explosive dust, flammable or combustible liquids or hot ashes. Do not use this vac as a sprayer for any flammable or combustible liquid. To reduce the risk of health hazards from vapors or dusts, do not vacuum toxic materials.

WARNING: The operation of any utility vac can result in foreign objects being blown into the eyes, which can result in severe eye damage. Always wear safety eyewear complying with ANSI Z87.1 (or in Canada, CSA Z94.3) before starting operation. Safety eyewear is available at many local retail stores.

CAUTION: To reduce risk of hearing damage, wear ear protectors when using the vac for extended hours or when using it in a noisy area.

Your Craftsman two-gallon wet/dry vac is assembled at the factory and ready for use when you remove it from the carton. The unit is ready for dry vacuuming or blowing. After you plug the power cord into the wall receptacle, turn the unit "ON" by pushing the switch from position "O" to position "I". The symbols used on the switch are international symbols. The "O" is the "OFF" position and the "I" is the "ON" position.

○ = OFF | = ON

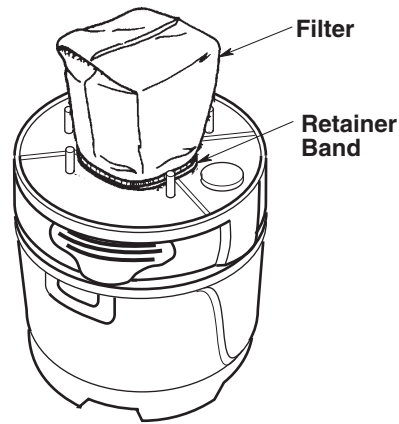


Operation (continued)

Vacuating Dry Materials

1. The filter must always be in correct position to reduce the risk of leaks and possible damage to vac. Make sure that the filter is completely covering the filter cage and that the retainer band is as close to the lid as possible. Make sure there are no gaps between the filter and the lid. (See illustration). **It is very important to assemble the filter to the cage without allowing any possible leaks or tears. Any leaks will allow the picked up media to be blown out of the blower port and back into the surrounding environment.**
2. When using your vac to pick up very fine dust, it will be necessary for you to empty the dust drum and clean or replace the filter at more frequent intervals to maintain peak vac performance.

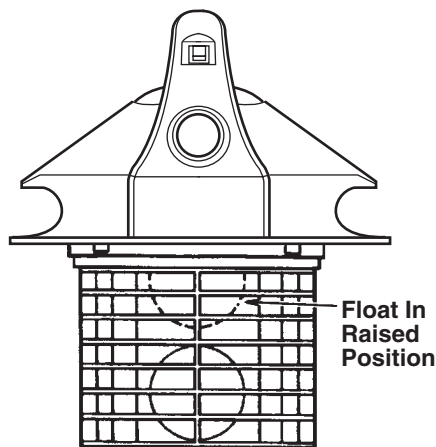
NOTE: A dry filter is necessary to pick up dry material. If you use your vac to pick up dust when the filter is wet, the filter will clog quickly and be very difficult to clean. In case the filter gets wet, replace it before continuing to do dry pickups.



Vacuating Liquids

1. Removal of the filter is highly recommended for wet pickups.
2. This wet/dry vac is equipped with a float mechanism which will rise automatically to cut off the airflow when the liquid in the drum reaches a predetermined level. When this happens, turn off vac, unplug the power cord, and empty the dust drum. You will know that the float has shut the airflow off because the suction ceases and the motor noise becomes higher in pitch, due to increased motor speed. The liquid capacity may vary with the rate of pickup.

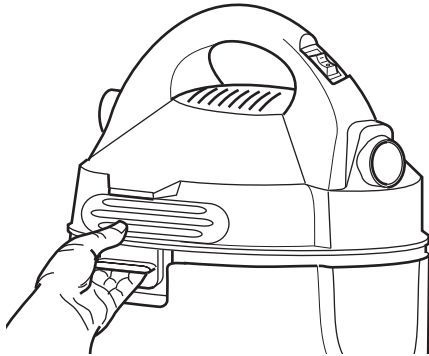
IMPORTANT: To reduce the risk of damage to the vac, do not run motor with float in raised position.



Emptying the Drum

WARNING: To reduce the risk of injury from accidental starting, unplug power cord before emptying the drum.

1. Remove the power head assembly of the wet/dry vac by pulling outward on the latches located on each side of the vac. Lift off the power head assembly.
2. Dump the drum contents into the proper waste disposal container.



Blowing Feature

Your vac contains a blowing feature. It has the capability to blow sawdust and other debris. It is excellent to use to blow dust and debris out of garages or off patios and driveways. Follow the steps below to use your vac as a blower.

1. Locate blowing port of your vac.
2. Insert one end of the 4 foot x 1-1/4 inch hose into the blowing port.
4. Turn vac "ON" and you are ready to use your vac as a blower.

NOTE: If you need additional length at the end of the hose, extension wands are available at Sears retail stores as stock no. 9-17861.

WARNING: Always wear safety eyewear complying with ANSI Z87.1 (or in Canada CSA Z94.3) when using as a blower.

WARNING: To avoid injury to bystanders, keep them clear of blowing debris.

CAUTION: Wear a dust mask if blowing creates dust which might be inhaled.

CAUTION: To reduce the risk of hearing damage, wear ear protectors when using the vac/blower for extended hours or when using it in a noisy area.

Maintenance

Filter

WARNING: To reduce the risk of injury from accidental starting, unplug power cord before changing or cleaning filter.

Your filter should be cleaned often to maintain peak vac performance.

Easy to Replace Filter

1. Extend the retainer band around the plastic posts on the lid (See Figure 1 and 2).
2. Remove filter bag off the filter cage.
3. Place the replacement filter on the filter cage until open end touches bottom of lid.
4. Release the retainer band from the plastic post on the lid, holding the filter bag secure to the lid.
5. Make sure the retainer band is positioned on the filter bag covering the printed line (See Figure 3).

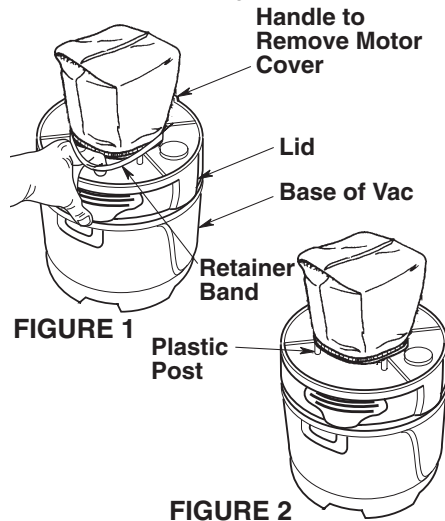


FIGURE 1

FIGURE 2

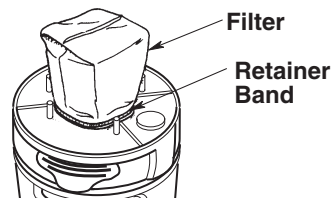


FIGURE 3

IMPORTANT: To avoid damage to the blower wheel and motor, always reinstall the filter before using the vac for dry material pick-up.

Take the dirty filter to a disposal container and gently brush away small dirt particles that may be adhering to the filter material.

IMPORTANT: After cleaning, check the filter for tears or small holes. Do not use a filter with holes or tears in it. Even a small hole can cause a lot of dust to come out of your vac. Replace it immediately.

Installation

New filters may be purchased at area Sears retail stores, Sears retail replacement filters are sold by stock no. 9-16949.

NOTE: Before installing the filter on the vac, clean the area of the lid so that the retainer band will seal the bag against the lid and stop small particles from bypassing the filter bag.

If the filter is clean and not damaged, replace it on the filter cage. If it cannot be reused, place a new filter over the filter cage.

Replace the retainer band around the filter. Make sure the retainer band is positioned on the filter, and the filter completely covers the filter cage. Also, make sure the edges of the filter are completely secured under the retainer band.

NOTE: Clean the filter in an open area. Cleaning should be done outdoors and not in the living quarters.

WARNING: Do not remove filter cage and float. The float prevents water from entering the impeller and damaging the motor. The cage prevents fingers from touching the moving impeller.

Maintenance (continued)

Cleaning

To keep your Wet/Dry Vac looking its best, clean the outside with a cloth dampened with warm water and mild soap.

To clean the drum:

1. Dump debris out.
2. Wash drum thoroughly with warm water and mild soap.
3. Wipe out with dry cloth.

Storage

Before storing your vac, the dust drum should be emptied and cleaned. The cord should be wrapped around the unit and the hose should be stored as described in the cord/hose storage section in this manual. Accessories should be kept in the same area as the vac so they can be readily available. The vac should be stored indoors.

Accessories

Sears offers many specialized 1-1/4" non-mechanical cleaning accessories that may be used with this wet/dry vac.

Wet/dry vac accessories may be found at all Sears retail stores and may also be ordered from the Sears "Power and Hand Tool" Catalog.

Troubleshooting

Problem	Cause	Remedy
Vac will not pick up dirt	<ol style="list-style-type: none"> 1. Clogged filter 2. Clogged hose 3. Air leak 	<ol style="list-style-type: none"> 1. Clean or replace filter (follow instructions on page 10) 2. Remove hose and clear debris. 3. Make sure power head is securely attached to dust drum.
Vac will not run	<ol style="list-style-type: none"> 1. No electricity 	<ol style="list-style-type: none"> 1. Make sure electrical outlet has voltage. (A qualified electrician may need to be contacted).

WARNING: If any of the power head assembly parts should become detached or broken, exposing motor or any other electrical components, operation should be discontinued immediately to avoid personal injury or further damage to the vacuum. Repairs should be made before reusing the vacuum.

**GUARDE ESTE MANUAL
PARA REFERENCIA FUTURA**

manual del usuario

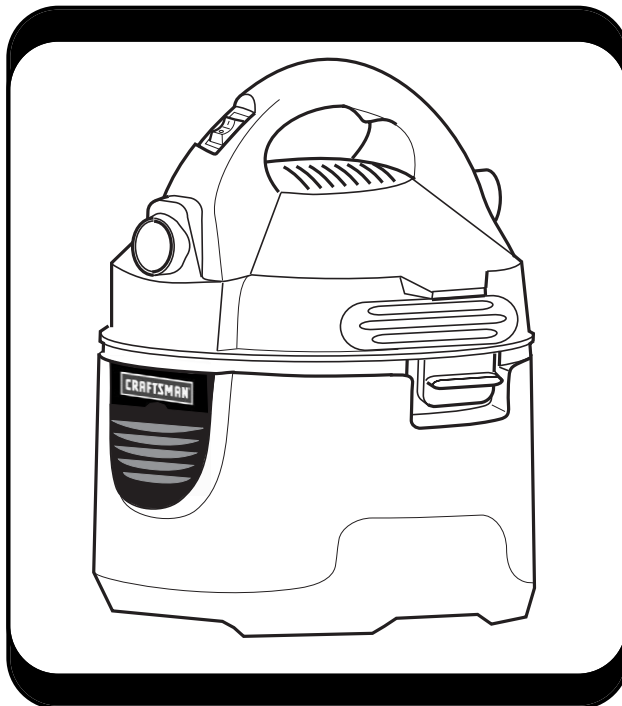
**NO. DE MODELO
113.177135**

Número
de serie _____

Los números de modelo
y de serie se pueden
encontrar en el asa.
Usted debe anotar los
números tanto de modelo
como de serie en un lugar
seguro para uso futuro.

PARA SU SEGURIDAD

**LEA DETENIDAMENTE
TODAS LAS
INSTRUCCIONES**



CRAFTSMAN®

ASPIRADORA PARA MOJADO/SECO DE 2 GALONES

- **funcionamiento**
- **mantenimiento**

Sears, Roebuck and Co., Hoffman Estates, IL 60179 U.S.A.

No. de pieza SP6523

Impreso en China

GARANTÍA COMPLETA DE UN AÑO PARA ASPIRADORAS PARA MOJADO/SECO CRAFTSMAN

Si esta aspiradora para mojado/seco Craftsman falla debido a un defecto de material o de fabricación dentro del plazo de un año a partir de la fecha de compra, devuélvala a la tienda Sears más cercana y será reemplazada o reparada, a opción de Sears, sin ningún cargo.

Si esta aspiradora para mojado/seco Craftsman se utiliza para fines comerciales o de alquiler, la cobertura de esta garantía se aplica durante solamente 90 días a partir de la fecha de compra.

Esta garantía se aplica solamente mientras este producto se use en los Estados Unidos.

Esta garantía le confiere a usted derechos legales específicos y es posible que usted tenga también otros derechos que varían de un estado a otro.

Sears, Roebuck and Co., D817 WA, Hoffman Estates, IL. 60179

WARNING: The power cord on this product contains lead, a chemical known in the State of California to cause birth defects or other reproductive harm. *Wash hands after handling.*

INSTRUCCIONES DE SEGURIDAD IMPORTANTES

La seguridad es una combinación de sentido común, permanecer alerta y saber cómo funciona la aspiradora.

Palabras de señal de seguridad

PELIGRO: indica una situación inminentemente peligrosa que, si no se evita, **causará** la muerte o lesiones graves

ADVERTENCIA: indica una situación potencialmente peligrosa que, si no se evita, **podría** causar la muerte o lesiones graves

PRECAUCIÓN: indica una situación potencialmente peligrosa que, si no se evita, **podría** causar lesiones leves o moderadas.

Cuando utilice la aspiradora para mojado/seco ("la aspiradora"), siga siempre las precauciones básicas de seguridad, incluyendo las siguientes.

ADVERTENCIA - Para reducir el riesgo de incendio, sacudidas eléctricas o lesiones:

- Lea y entienda este manual del usuario y todas las etiquetas que están colocadas en la aspiradora para mojado/seco antes de utilizarla
- Utilice la aspiradora únicamente de la manera que se describe en este manual.
- No deje la aspiradora en marcha mientras esté desatendida.
- Las chispas que se producen en el interior del motor pueden incendiar los vapores inflamables o el polvo. Para reducir el riesgo de incendio o explosión:

- No recoja con la aspiradora líquidos o gases inflamables o combustibles, o polvos explosivos como gasolina u otros combustibles, líquido encendedor, limpiadores, pinturas a base de aceite, gas natural, hidrógeno, polvo de carbón, polvo de magnesio, polvo de aluminio, polvo de granos de cereal o pólvora, ni use la aspiradora cerca de estos materiales.
- No utilice la aspiradora como rociador.
- No recoja con la aspiradora nada que esté ardiendo o humeando, como cigarrillos, fósforos o cenizas calientes.
- No recoja con la aspiradora hollín de chimenea, yeso, cemento o polvo de panel de yeso. Estos materiales contienen partículas de polvo fino que podrían no ser capturadas adecuadamente por el filtro y podrían ser expulsadas de vuelta al aire.
- Para reducir el riesgo de que se produzcan peligros para la salud causados por vapores o polvo, no recoja con la aspiradora materiales tóxicos.
- No use ni almacene la aspiradora cerca de materiales peligrosos.
- Para reducir el riesgo de descargas eléctricas, no exponga la aspiradora a la lluvia ni deje que entren líquidos en el compartimiento del motor. Guarde la aspiradora en un lugar interior
- No permita que la aspiradora se utilice como un juguete. Se necesita prestar máxima atención cuando sea utilizada por niños o cerca de éstos.
- No use esta aspiradora con un filtro desgarrado o si no tiene el filtro instalado, excepto cuando recoja líquidos de la manera que se describe en la

sección "Funcionamiento" de este manual. Los residuos secos absorbidos por el impulsor podrían dañar el motor o ser expulsados de vuelta al aire.

- No abandone la aspiradora cuando esté enchufada. Desenchúfela del tomacorriente cuando no la esté utilizando y antes de realizar servicio de revisión.
- Apague la aspiradora antes de desenchufarla.
- Para reducir el riesgo de lesiones debidas a un arranque accidental, desenchufe el cordón de energía antes de cambiar o limpiar el filtro.
- No desenchufe la aspiradora tirando del cordón. Para desenchufarla, agarre el enchufe y no el cordón.
- No use la aspiradora con el cordón dañado, el enchufe dañado u otras piezas dañadas. Si la aspiradora no funciona como debe, le faltan piezas, se ha caído, ha sido dañada, se ha dejado a la intemperie o se ha caído al agua, devuélvala a un Centro de Servicio Sears
- No tire de la aspiradora usando el cordón ni la lleve por el cordón, ni use el cordón como asa, ni cierre una puerta sobre el cordón, ni tire del cordón alrededor de bordes o esquinas afilados. No pase la aspiradora en marcha sobre el cordón. Mantenga el cordón alejado de las superficies calientes.
- No maneje el enchufe o la aspiradora con las manos mojadas.
- No ponga ningún objeto en las aberturas de ventilación. No recoja nada con la aspiradora cuando cualquiera de las aberturas de ventilación esté bloqueada; mantenga dichas aberturas libres de polvo, pelusa, pelo o cualquier cosa que pueda reducir el flujo de aire.
- Mantenga el pelo, la ropa holgada, los dedos y todas las partes del cuerpo alejados de las aberturas y de las piezas móviles.
- Para reducir el riesgo de caídas, tenga cuidado adicional al limpiar en escaleras.
- Para reducir el riesgo de lesiones personales o daños a la aspiradora para mojado/ seco, utilice únicamente accesorios recomendados Sears Craftsman.
- Cuando utilice la aspiradora como soplador :
 - Dirija la descarga de aire solamente hacia el área de trabajo.
 - Apague la unidad antes de dejarla en el piso o soltar el asa.
 - No ponga la aspiradora en un líquido; podría producirse una descarga eléctrica.

- No dirija el aire hacia las personas que estén presentes.
- Mantenga alejados a los niños durante la operación de soplado.
- No utilice el soplador para trabajos que no sean soplar suciedad y residuos.
- No use la aspiradora como rociador.
- Use protección ocular de seguridad.
- Conecte la aspiradora solamente a un tomacorriente conectado a tierra adecuadamente. Consulte las instrucciones de conexión a tierra.

ADVERTENCIA : Para reducir el riesgo de lesiones en los ojos, use protección ocular de seguridad. La utilización de cualquier aspiradora utilitaria o soplador utilitario puede hacer que se soplen objetos extraños hacia los ojos, lo cual puede causar daños graves en los ojos. Use siempre anteojos de seguridad que cumplan con la norma ANSI Z87.1 (o en Canadá, con la norma CSA Z94.3) antes de comenzar la operación. Las gafas corrientes no son anteojos de seguridad y podrían causarle lesiones graves al romperse.

PRECAUCIÓN: Para reducir el riesgo de daños a la audición, use protectores de oídos cuando utilice la aspiradora durante muchas horas seguidas o cuando la emplee en un área ruidosa.

PRECAUCIÓN: Para operaciones que generan polvo, use una máscara antipolvo.

NOTA: Las descargas de estática son comunes en áreas secas o cuando la humedad relativa del aire es baja. Si recoge residuos finos con la aspiradora, se puede depositar carga estática en la manguera o en la aspiradora. El mejor remedio para reducir la frecuencia de las descargas de estática en su casa o cuando use esta aspiradora es añadir humedad al aire con un humidificador.

ADVERTENCIA: Utilice únicamente cordones de extensión que tengan capacidad nominal para uso a la intemperie. Los cordones de extensión que estén en malas condiciones o cuyo tamaño de alambre sea demasiado pequeño pueden conllevar peligros de incendio y sacudidas eléctricas. Para reducir el riesgo de estos peligros cuando utilice un cordón de extensión, asegúrese de que el cordón esté en buenas condiciones y de que la conexión no entre en contacto con líquido. Para mantener la pérdida al mínimo, utilice la tabla que aparece a continuación para seleccionar el cordón de extensión con el tamaño de cable mínimo.

Longitud del cordón de extensión	Calibre del cable (A.W.G.)
0-50 pies	14
50-100 pies	12

Siga las siguientes advertencias que aparecen en la caja del motor de la aspiradora.

ADVERTENCIA: Para reducir el riesgo de sacudidas eléctricas, no exponga la aspiradora a la lluvia y almacénela en interiores.

ADVERTENCIA: Para su propia seguridad, lea y entienda el manual del usuario. No tenga en marcha la aspiradora desatendida. No recoja cenizas calientes, carbón caliente, materiales tóxicos ni inflamables ni otros materiales peligrosos. No use la aspiradora alrededor de líquidos o vapores explosivos

GUARDE ESTE MANUAL PARA REFERENCIA FUTURA

Instrucciones de conexión a tierra

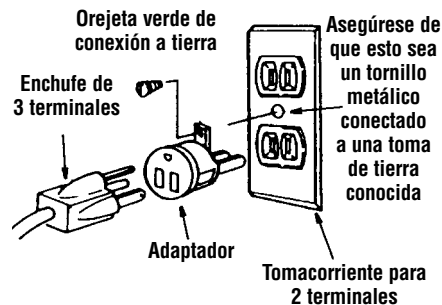
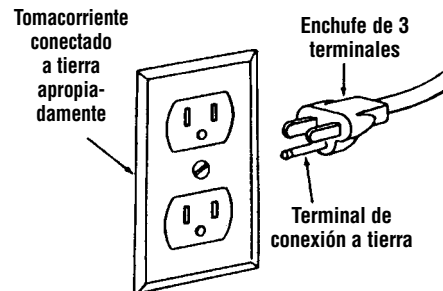
Este electrodoméstico se debe conectar a tierra. En caso de mal funcionamiento o avería, la conexión a tierra proporciona una ruta de resistencia mínima para la corriente eléctrica con el fin de reducir el riesgo de sacudidas eléctricas. Este electrodoméstico está equipado con un cordón que tiene un conductor de conexión a tierra del equipo y un enchufe de conexión a tierra. El enchufe debe introducirse en un tomacorriente apropiado que esté instalado correctamente y conectado a tierra adecuadamente, de acuerdo con todos los códigos y ordenanzas locales.

ADVERTENCIA: La conexión incorrecta del conductor de conexión a tierra del equipo puede causar un riesgo de sacudidas eléctricas. Consulte a un electricista calificado o a una persona de servicio competente si tiene dudas sobre si el tomacorriente está conectado a tierra apropiadamente. No modifique el enchufe suministrado con el electrodoméstico. Si el enchufe no cabe en el tomacorriente, haga que un electricista calificado instale un tomacorriente apropiado.

Este electrodoméstico está diseñado para utilizarse en un circuito de 120 V nominales y tiene un enchufe conectado a tierra que tiene un aspecto como el del enchufe que se muestra en la ilustración. Se puede utilizar un adaptador temporal, que tenga un aspecto como el del adaptador que se muestra en la ilustración, para conectar este enchufe a un receptáculo de dos polos, de la manera que se muestra en la ilustración, si no se dispone de un tomacorriente conectado a tierra apropiadamente. El adaptador temporal debe utilizarse únicamente hasta que un electricista calificado pueda instalar un tomacorriente conectado a tierra apropiadamente. La orejeta, lengüeta o pieza similar rígida de color verde que sobresale del adaptador se debe conectar a una toma de tierra permanente, como por ejemplo

una tapa de caja tomacorriente conectada a tierra apropiadamente. Siempre que se utilice el adaptador, se debe sujetar en la posición correcta con un tornillo metálico.

NOTA: En Canadá, el uso de un adaptador temporal no está permitido por el Código Eléctrico Canadiense.



Introducción

Esta aspiradora está diseñada para uso doméstico solamente. Se puede utilizar para la recogida ligera de medios mojados o secos y también puede utilizarse como soplador. El diseño liviano permite la utilización para realizar la mayoría de las tareas domésticas de aspiración pequeñas. Familiarícese con las siguientes características del producto y lea todo el manual del usuario para obtener instrucciones sobre la utilización específica de su nueva aspiradora para mojado/seco.

Índice

Artículo	Página	Artículo	Página
Garantía	14	Recogida de materiales secos con la aspiradora	20
Instrucciones de seguridad importantes	14	Recogida de líquidos con la aspiradora	20
Palabras de señal de seguridad	14	Vaciado del tambor	21
Instrucciones de conexión a tierra	16	Dispositivo de soplado	21
Introducción	17	Mantenimiento	22
Índice	17	Filtro	22
Desempaquetado y comprobación del contenido de la caja de cartón	17	Instalación	22
Familiarización con la aspiradora	18	Limpieza	23
Almacenamiento del cordón	18	Almacenamiento	23
Almacenamiento de la manguera	18	Accessories	23
Funcionamiento	19	Localización y resolución de problemas	23

Desempaquetado y comprobación del contenido de la caja de cartón

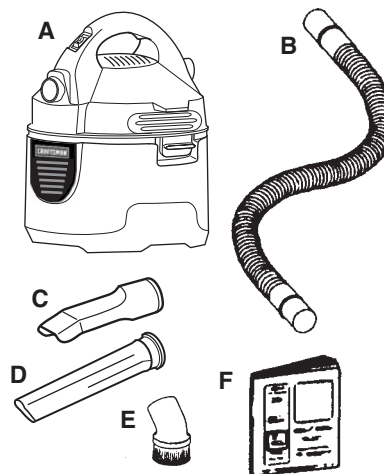
Saque todo el contenido de la caja de cartón. Asegúrese de que no falte ningún artículo utilizando la lista del contenido de la caja. Notifique inmediatamente a la tienda Sears más cercana si alguna pieza está dañada o falta.

Lista del contenido de la caja de cartón

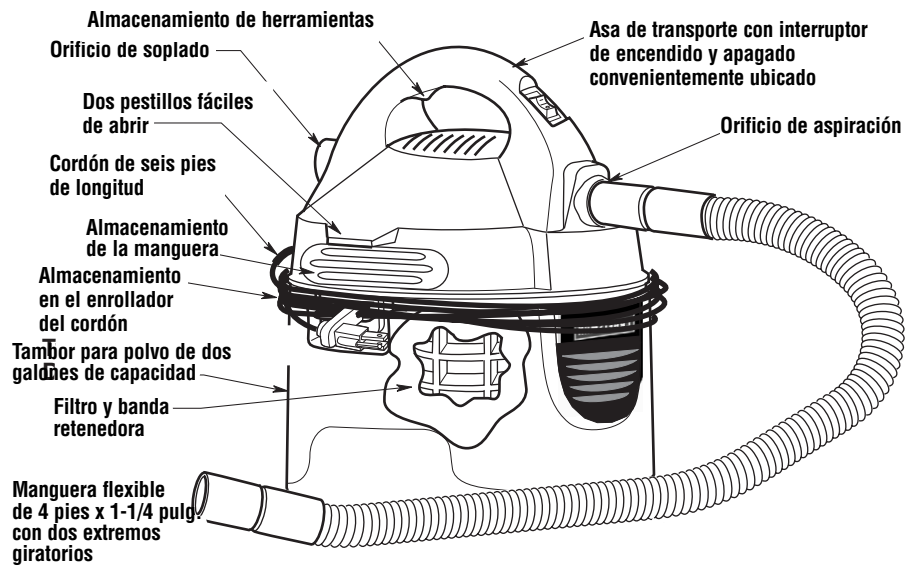
Clave	Descripción	Cant.
A	Aspiradora	1
B	Manguera	1
C	Boquilla para auto	1
D	Boquilla rinconera	1
E	Cepillo para polvo	1
F	Manual del usuario	1

Filtros de repuesto y banda retenedora (ya ensamblada)

Los filtros de repuesto de venta minorista de Sears se venden con el No. de existencias 9-16949.



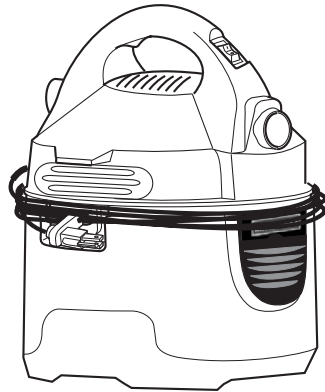
Familiarización con la aspiradora



Almacenamiento del cordón

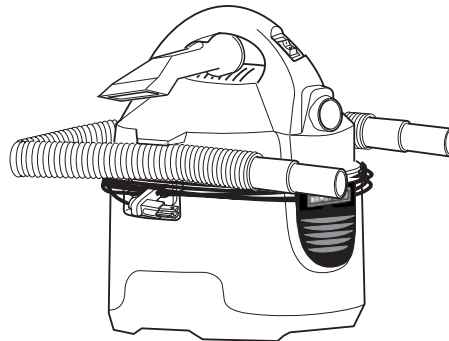
Enrolle el cordón de energía firmemente alrededor del tambor para polvo.

PRECAUCIÓN: Un cordón parcialmente desenrollado podría caerle en forma de rollos cerca de los pies. Para evitar este peligro de tropezar, desenrolle siempre completamente el cordón antes de enchufar la aspiradora.



Almacenamiento de la manguera

El cabezal del motor tiene entrantes a cada lado para almacenar la manguera.



Funcionamiento

ADVERTENCIA

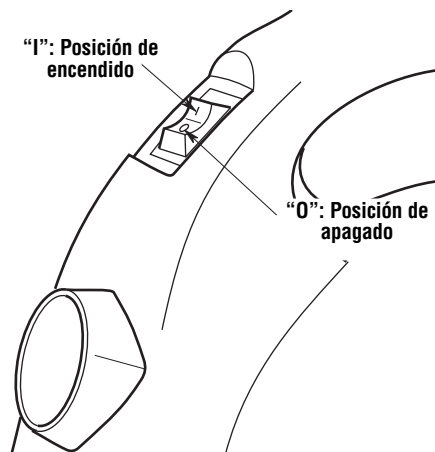
Para reducir el riesgo de incendio o explosión, no utilice esta aspiradora en áreas en las que haya gases o vapores inflamables, ni polvo explosivo en el aire. Los gases o vapores inflamables incluyen pero no están limitados a: líquido encendedor, limpiadores tipo disolvente, pinturas a base de aceite, gasolina, alcohol o rociadoras de aerosol. Los polvos explosivos incluyen pero no están limitados a: carbón, magnesio, grano de cereal o pólvora. No recoja con la aspiradora polvo explosivo, líquidos inflamables o combustibles, ni cenizas calientes. No utilice esta aspiradora como rociador. A fin de reducir los peligros para la salud debidos a vapores o polvos, no recoja con la aspiradora materiales tóxicos.

ADVERTENCIA: El funcionamiento de cualquier aspiradora de uso general puede tener como resultado que salgan proyectados hacia los ojos objetos extraños, lo cual puede producir daños graves en los ojos. Use siempre protectores oculares de seguridad que cumplan con la norma ANSI Z87.1 (o en Canadá, con la norma CSA Z94.3) antes de comenzar la operación. Los protectores oculares de seguridad se pueden obtener en muchas tiendas minoristas locales.

PRECAUCION: Para reducir el riesgo de daños a la audición, use protectores de oídos al utilizar la aspiradora o durante muchas horas seguidas o al emplearla en un área ruidosa.

Su aspiradora Craftsman para mojado/seco de dos galones se ensambla en la fábrica y está lista para utilizarse cuando se saca de la caja de cartón. La unidad está lista para aspirar o soplar materiales secos. Después de enchufar el cordón de energía en el receptáculo de la pared, encienda la unidad empujando el interruptor de la posición "0" a la posición "I". Los símbolos utilizados en el interruptor son símbolos internacionales. El símbolo "0" es la posición de APAGADO y el símbolo "I" es la posición de ENCENDIDO.

○ = APAGADO | = ENCENDIDO

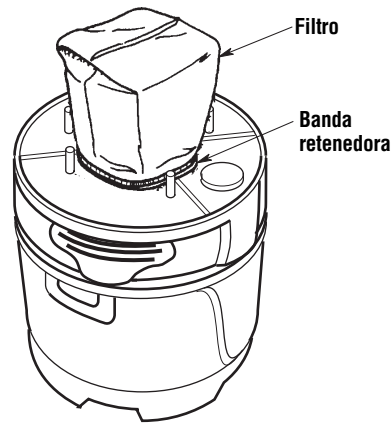


Funcionamiento (continuación)

Recogida de materiales secos con la aspiradora

1. El filtro debe estar siempre en la posición correcta para reducir el riesgo de fugas y posibles daños a la aspiradora. Asegúrese de que el filtro esté cubriendo completamente la jaula del filtro y de que la banda retenedora esté tan cerca de la tapa como sea posible. Asegúrese de que no haya holguras entre el filtro y la tapa (vea la ilustración). **Es muy importante ensamblar el filtro en la jaula sin permitir ninguna fuga o desgarradura posible. Cualquier fuga permitirá que el medio recogido se expulse por el orificio del soplador y vuelva al entorno circundante.**
2. Cuando utilice la aspiradora para recoger polvo muy fino, será necesario que vacíe el tambor para polvo y que limpie o reemplace el filtro a intervalos más frecuentes para mantener el máximo rendimiento de la aspiradora.

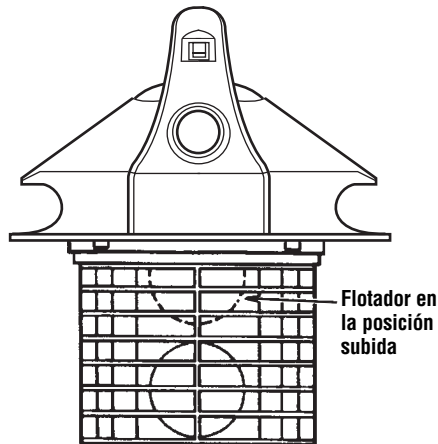
NOTA: Se necesita un filtro para medios secos para recoger material seco. Si utiliza la aspiradora para recoger polvo cuando el filtro esté mojado, éste se taponará rápidamente y será muy difícil limpiarlo. Si el filtro se moja, reemplácelo antes de continuar recogiendo materiales secos con la aspiradora.



Recogida de líquidos con la aspiradora

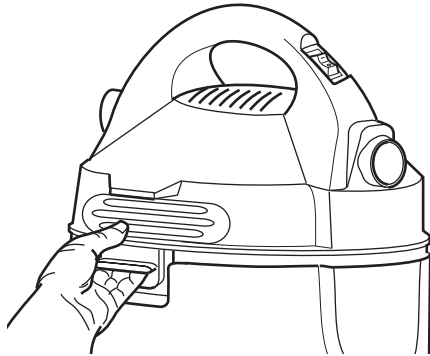
1. Para recoger materiales mojados, se recomienda quitar el filtro.
2. Esta aspiradora para mojado/seco está equipada con un mecanismo de flotador que subirá automáticamente para cortar la circulación de aire cuando el líquido contenido en el tambor alcance un nivel predeterminado. Cuando esto ocurra, apague la aspiradora, desenchufe el cordón de energía y vacíe el tambor. Sabrá que el flotador ha cortado la circulación de aire porque la succión cesará y el ruido del motor alcanzará una frecuencia más alta debido al aumento de la velocidad del motor. La capacidad de líquido puede variar con la velocidad de recogida.

IMPORTANTE: Para reducir el riesgo de daños a la aspiradora, no haga funcionar el motor con el flotador en la posición subida.

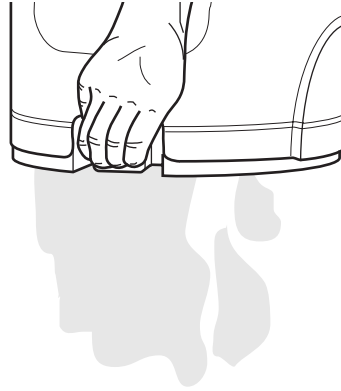


Vaciado del tambor

ADVERTENCIA: Para reducir el riesgo de lesiones debidas a un arranque accidental, desenchufe el cordón de energía antes de vaciar el tambor.



1. Quite el ensamblaje del cabezal del motor de la aspiradora para mojado/seco tirando hacia fuera de los pestillos ubicados a cada lado de la aspiradora. Levante el ensamblaje del cabezal del motor.
2. Tire el contenido del tambor en el recipiente de eliminación de residuos apropiado.



Dispositivo de soplado

La aspiradora contiene un dispositivo de soplado. Este dispositivo tiene capacidad para soplar aserrín y otros residuos. Es excelente para utilizarlo con el fin de soplar el polvo y los residuos para sacarlos de garajes o patios y entradas de autos. Siga los pasos que se indican más adelante para utilizar la aspiradora como soplador.

1. Localice el orificio de soplado de la aspiradora.
2. Introduzca un extremo de la manguera de 4 pies x 1-1/4 pulgadas en el orificio de soplado.
3. Encienda la aspiradora y estará listo para utilizarla como soplador.

NOTA: Si necesita longitud adicional en el extremo de la manguera, hay tubos extensores disponibles en las tiendas minoristas Sears con el No. de existencias 9-17861.

ADVERTENCIA: Use siempre gafas de seguridad que cumplan la norma ANSI Z87.1 (o en Canadá, con la norma CSA Z94.3) cuando se use la aspiradora como soplador.

ADVERTENCIA: Para evitar lesiones a las personas que se encuentren presentes, manténgalas alejadas de los residuos soplados.

PRECAUCIÓN: Use una máscara antipolvo si el soplado genera polvo que se pudiera inhalar.

PRECAUCIÓN: Para reducir el riesgo de daños a la audición, use protectores de oídos al utilizar la aspiradora/soplador durante varias horas seguidas o al utilizarla en un área ruidosa.

Mantenimiento

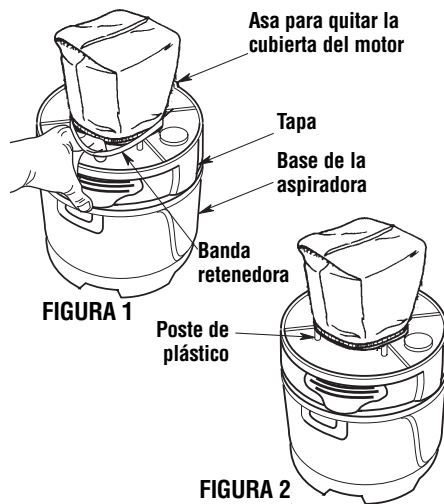
Filtro

ADVERTENCIA: Para reducir el riesgo de lesiones por causa de un arranque accidental, desenchufe el cordón de energía antes de cambiar o limpiar el filtro.

Se debe limpiar a menudo el filtro para mantener el rendimiento máximo de la aspiradora.

Filtro fácil de reemplazar

1. Extienda la banda retenedora alrededor de los postes de plástico que están sobre la tapa (vea la Figura 1 y 2).
2. Quite la bolsa del filtro de la jaula del filtro.
3. Coloque el filtro de repuesto sobre la jaula del filtro hasta que el extremo abierto toque la parte inferior de la tapa.
4. Suelte la banda retenedora del poste de plástico que está sobre la tapa, sujetando la bolsa del filtro firmemente a la tapa.
5. Asegúrese de que la banda retenedora esté posicionada sobre la bolsa del filtro de manera que cubra la línea impresa de color negro (vea la Figura 3).



IMPORTANTE: Para evitar daños a la rueda del soplador y al motor, reinstale siempre el filtro antes de utilizar la aspiradora para recoger material seco.

Lleve el filtro sucio a un recipiente de desecho y quite suavemente con un cepillo las partículas de suciedad pequeñas que puedan estar adhiriéndose al material del filtro.

IMPORTANTE: Después de limpiar el filtro, compruebe si tiene desgarraduras o agujeros pequeños. No utilice un filtro que tenga agujeros o desgarraduras. Incluso un agujero pequeño puede hacer que salga mucho polvo de la aspiradora. Reemplace inmediatamente dicho filtro.

Instalación

Se pueden comprar filtros de repuesto nuevos en las tiendas minoristas Sears del área. Los filtros de repuesto de venta minorista de Sears se venden con el No. de existencias 9-16949.

NOTA: Antes de instalar el filtro en la aspiradora, limpie el área de la tapa para que la banda retenedora selle la bolsa contra la tapa y evite que las partículas pequeñas pasen rodeando la bolsa del filtro.

Si el filtro está limpio y no está dañado, colóquelo de nuevo en la jaula del filtro. Si el filtro no se puede reutilizar, coloque un filtro nuevo sobre la jaula del filtro.

Coloque de nuevo la banda retenedora alrededor del filtro. Asegúrese de que la banda retenedora esté posicionada sobre el filtro y de que el filtro cubra completamente la jaula del filtro. Además, asegúrese de que los bordes del filtro estén completamente sujetos debajo de la banda retenedora.

NOTA: Limpie el filtro en un área abierta. La limpieza se debe realizar en el exterior y no en áreas interiores de vivienda.

ADVERTENCIA: No quite la jaula del filtro ni el flotador. El flotador evita que entre agua en el impulsor y dañe el motor. La jaula impide que los dedos toquen el impulsor cuando éste está en movimiento.

Mantenimiento (continuación)

Limpieza

Para mantener el mejor aspecto posible de la aspiradora para mojado/seco, limpie su exterior con un paño humedecido con agua templada y un jabón suave.

Para limpiar el tambor:

1. Vacíe los residuos del tambor.
2. Lave a fondo el tambor con agua templada y un jabón suave.
3. Limpie el tambor con un paño seco.

Almacenamiento

Antes de almacenar la aspiradora, se debe vaciar y limpiar el tambor para polvo. El cordón se debe enrollar alrededor de la unidad y la manguera se debe almacenar de la manera descrita en la sección sobre almacenamiento del cordón y de la manguera de este manual. Los accesorios se deben mantener en la misma área que la aspiradora para que estén al alcance de la mano cuando se necesiten. La aspiradora se debe almacenar en interiores.

Accesorios

Sears ofrece muchos accesorios de limpieza no mecánicos especializados de 1-1/4 pulgadas que se pueden utilizar con esta aspiradora para mojado/seco.

Los accesorios de aspiradora para mojado/seco se pueden encontrar en todas las tiendas minoristas Sears y también se pueden pedir del "Catálogo de Herramientas Mecánicas y de Mano" de Sears.

Localización y resolución de problemas

Problema	Causa	Remedio
La aspiradora no recoge la suciedad.	<ol style="list-style-type: none"> 1. Filtro taponado 2. Manguera taponada 3. Fuga de aire 	<ol style="list-style-type: none"> 1. Limpie o reemplace el filtro (siga las instrucciones de la página 22) 2. Quite la manguera y retire los residuos. 3. Asegúrese de que el cabezal del motor esté sujeto firmemente al tambor para polvo.
La aspiradora no funciona.	<ol style="list-style-type: none"> 1. No hay electricidad 	<ol style="list-style-type: none"> 1. Asegúrese de que el tomacorriente tenga corriente. (Es posible que sea necesario ponerse en contacto con un electricista calificado.)

ADVERTENCIA: Si cualquiera de las piezas del ensamblaje del cabezal del motor se desprende o rompe, dejando al descubierto el motor o cualquier otro componente eléctrico, se debe interrumpir inmediatamente la operación para reducir el riesgo de lesiones personales o daños adicionales a la aspiradora. Se deben hacer reparaciones antes de reutilizar la aspiradora.

Get it fixed, at your home or ours!

Your Home

For repair – **in your home** – of **all** major brand appliances, lawn and garden equipment, or heating and cooling systems, **no matter who made it, no matter who sold it!**

For the replacement parts, accessories and owner's manuals that you need to do-it-yourself.

For Sears professional installation of home appliances and items like garage door openers and water heaters.

1-800-4-MY-HOME®
(1-800-469-4663)
www.sears.com

Anytime, day or night
(U.S.A. and Canada)
www.sears.ca

Our Home

For repair of carry-in products like vacuums, lawn equipment, and electronics, call or go on-line for the nearest **Sears Parts and Repair Center.**

1-800-488-1222

Call anytime, day or night (U.S.A. only)

www.sears.com

To purchase a protection agreement (U.S.A.) or maintenance agreement (Canada) on a product serviced by Sears:

1-800-827-6655 (U.S.A.)

1-800-361-6665 (Canada)

Para pedir servicio de reparación a domicilio, y para ordenar piezas:

1-888-SU-HOGARSM
(1-888-784-6427)

Au Canada pour service en français:

1-800-LE-FOYER^{MC}
(1-800-533-6937)
www.sears.ca



© Sears, Roebuck and Co.

® Registered Trademark / ™ Trademark / SM Service Mark of Sears, Roebuck and Co.

® Marca Registrada / ™ Marca de Fábrica / SM Marca de Servicio de Sears, Roebuck and Co.

^{MC} Marque de commerce / ^{MD} Marque déposée de Sears, Roebuck and Co.

Part No. SP6523

Form No. SP6523-3

Printed in China 11/06

Free Manuals Download Website

<http://myh66.com>

<http://usermanuals.us>

<http://www.somanuals.com>

<http://www.4manuals.cc>

<http://www.manual-lib.com>

<http://www.404manual.com>

<http://www.luxmanual.com>

<http://aubethermostatmanual.com>

Golf course search by state

<http://golfingnear.com>

Email search by domain

<http://emailbydomain.com>

Auto manuals search

<http://auto.somanuals.com>

TV manuals search

<http://tv.somanuals.com>