

SAVE THIS MANUAL FOR
FUTURE REFERENCE

SEARS

**owner's
manual**

MODEL NO.
113.179255

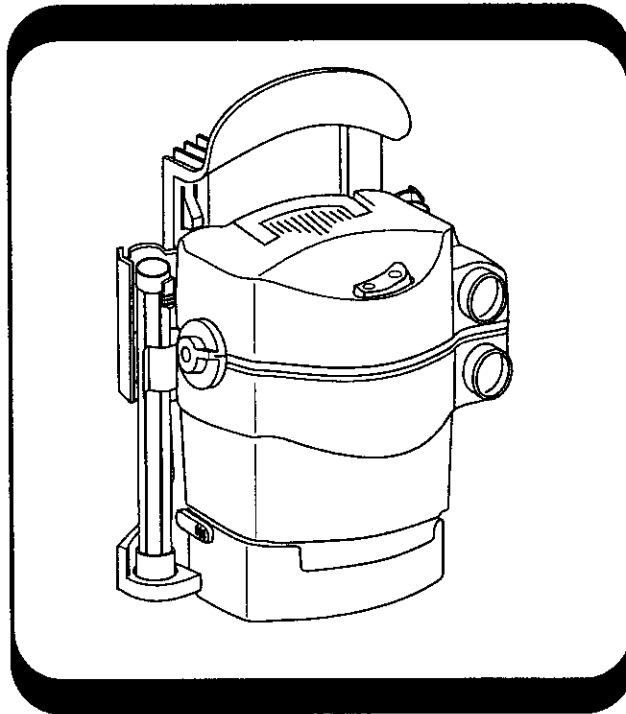
Serial
Number _____

Model and serial num-
bers may be found on
the handle.

You should record
both model and serial
numbers in a safe
place for future use.

**FOR YOUR
SAFETY**

**READ ALL
INSTRUCTIONS
CAREFULLY**



CRAFTSMAN®

5 Gallon Clean 'N Carry Wet/Dry Vac

- **safety**
- **assembly**
- **operating**
- **repair parts**

Sears, Roebuck and Co., Hoffman Estates, IL 60179 U.S.A.

Part No. SP6537

Printed in U.S.A.

FULL ONE YEAR WARRANTY ON CRAFTSMAN WET/DRY VACS

If this Craftsman Wet/Dry Vac fails due to a defect in material or workmanship within one year from the date of purchase, return it to your nearest Sears Store, and it will be replaced or repaired, at Sears option, free of charge.

If this Craftsman Wet/Dry Vac is used for commercial or rental purposes, this warranty applies for only 90 days from the date of purchase.

This warranty applies only while this product is used in the United States.

This warranty gives you specific legal rights, and you may also have other rights which vary from state to state.

Sears, Roebuck and Co., D817 WA, Hoffman Estates, IL. 60179

IMPORTANT SAFETY INSTRUCTIONS

Safety is a combination of common sense, staying alert and knowing how your vac works. Read this manual to understand the vac.

Safety Signal Words

DANGER: means if the safety information is not followed someone **will** be seriously injured or killed.

WARNING: means if the safety information is not followed someone **could** be seriously injured or killed.

CAUTION: means if the safety information is not followed someone may be injured.

When using your Wet/Dry Vac, follow basic safety precautions including the following.

WARNING - To reduce the risk of fire, electric shock, or injury:

Read and understand this owner's manual and all labels on the Wet/Dry Vac before operating. Use only as described in this manual. To reduce the risk of personal injury or damage to Wet/Dry Vac, use only Sears Craftsman recommended accessories.

Sparks inside the motor can ignite flammable vapors or dust. To reduce the risk of fire or explosion:

- Do not vacuum, or use this Wet/Dry Vac, near flammable or combustible liquids, gases, or explosive dusts, such

as gasoline or other fuels, lighter fluid, cleaners, oil-based paints, natural gas, hydrogen, coal dust, magnesium dust, grain dust, or gun powder.

- Do not use Wet/Dry Vac as a sprayer.
- Do not vacuum anything that is burning or smoking, such as cigarettes, matches, or hot ashes.
- Do not vacuum fireplace soot or ash. This is a very fine dust which will not be captured by the filter and may cause damage.
- To reduce the risk of health hazards from vapors or dusts, do not vacuum toxic materials.
- Do not use or store near hazardous materials.
- Do not run Wet/Dry Vac unattended.
- To reduce the risk of electric shock, do not expose to rain. Store indoors.
- Do not allow Wet/Dry Vac to be used as a toy. Close attention is necessary when used by or near children.
- Do not use this Wet/Dry Vac with a torn filter or without the filter installed except when vacuuming liquids as described in the operation section of this manual.
- Do not leave Wet/Dry Vac when plugged in. Unplug from outlet when not in use and before servicing. Turn off Wet/Dry Vac before unplugging.
- Do not mount over 5' from the ground.

- Do not attach screws to drywall only. Make sure screws are attached to studs on 16" centers.
- Do not sit or hang on storage rack.
- Do not exceed maximum weight limit of 40 pounds.
- To reduce the risk of injury from accidental starting, unplug power cord before changing or cleaning filter.
- Do not unplug by pulling on cord. To unplug, grasp the plug, not the cord.
- Do not use with damaged cord, plug or other parts. If your Wet/Dry Vac is not working as it should, has missing parts, has been dropped, damaged, left outdoors, or dropped into water, return it to a Sears Service Center.
- Do not pull or carry by cord, use cord as handle, close a door on cord, or pull cord around sharp edges or corners. Do not run Wet/Dry Vac over cord. Keep cord away from heated surfaces.
- Do not handle plug or the Wet/Dry Vac with wet hands.
- Do not put any object into ventilation openings. Do not vacuum with any ventilation openings blocked; keep free of dust, lint, hair or anything that may reduce air flow.
- Keep hair, loose clothing, fingers, and all parts of body away from openings and moving parts.

- To reduce the risk of falls, use extra care when cleaning on stairs. This Wet/Dry Vac is double-insulated, eliminating the need for a separate grounding system. Use only identical replacement parts. Read the instructions for Servicing Double-Insulated Wet/Dry Vacs before servicing. Observe the following warnings that appear on the motor housing of your Wet/Dry Vac.



**DOUBLE INSULATED —
GROUND NOT REQUIRED.**
WHEN SERVICING USE ONLY
IDENTICAL REPLACEMENT PARTS.

WARNING: To reduce the risk of fire or electric shock, do not run vac unattended.

WARNING: To reduce the risk of electric shock - do not expose to rain - store indoors.

▲ WARNING

- For your own safety, read and understand owner's manual.
- Do not run unattended.
- Do not pick up hot ashes, coals, toxic, flammable or other hazardous materials.
- Do not use around explosive liquids or vapors.

SAVE THESE INSTRUCTIONS

The operation of any utility vac or blower can result in foreign objects being blown into the eyes, which can result in severe eye damage. Always wear safety goggles complying with ANSI Z87.1 (or in Canada CSA Z94.3) before commencing operation. Everyday eyeglasses have only impact resistant lenses. They are not safety glasses. Safety Goggles are available at Sears retail stores. Glasses or goggles not in compliance with ANSI or CSA could seriously hurt you when they break.



To reduce the risk of hearing damage, wear ear protectors when using the vac for extended hours or when using it in a noisy area.

For dusty operations, wear dust mask. Use only extension cords that are rated for outdoor use. Extension cords in poor condition or that are too small in wire size can pose fire and shock hazards. When using an extension cord, be sure it is in good condition. Using any extension cord will cause some loss of power. To keep the loss to a minimum, use the following table to choose the minimum wire size extension cord.

Extension Cord Length	Gauge A.W.G.
0-50 Ft.	14
50-100 Ft.	12

Introduction

This Clean 'N Carry Vac is intended for household use only.

IMPORTANT NOTE Please Read Carefully

Static Shocks Are Common - In dry areas or when the relative humidity of the air is low. To reduce the frequency of static shocks in your home the best remedy is to add moisture to the air with a console humidifier.

Owner's Manual Contents

Item	Page
Warranty Information	2
Safety Instructions	2
Introduction	4
Unpacking and Checking	
Carton Contents	4
Replacement Filter Assembly	5
Storage Rack Assembly & Mounting	6
Clean 'N Carry Vac Assembly	B
Hanging Vac on Storage Rack	9
Accessories	10
Operation	11
Maintenance	13
Repair Parts	14

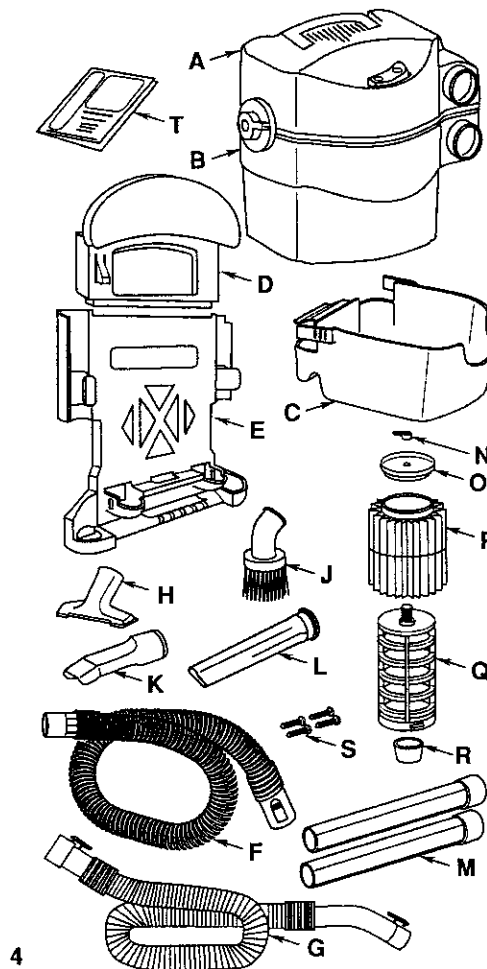
Unpacking and Checking Carton Contents

Remove entire contents of carton. Check each item against the Carton Contents List. Notify your Sears Store immediately if any parts are damaged or missing.

Carton Contents List

Key Description	Qty.
A Vac Motor Assembly	1
B Vac Canister	1
C Accessory Storage Bin	1
D Storage Upper Rack	1
E Storage Lower Rack	1
F 14' Pos-I-Lock Hose Assembly	1
G 7' Pos-I-Lock Hose Assembly	1
H Utility Nozzle	1
J Dusting Brush	1
K Car Nozzle	1
L Crevice Tool	1
M Extension Wands	2
N* Filter Nut	1
O* Filter Plate	1
P* Filter (Red Stripe)	1
Q* Filter Cage	1
R* Float	1
S #10 x 1-3/4 Wood Screws	4
T Owner's Manual	1

* These items may come preassembled. If they are not present in the carton check the vac power head to see if they are preassembled.



Replacement Filter Assembly

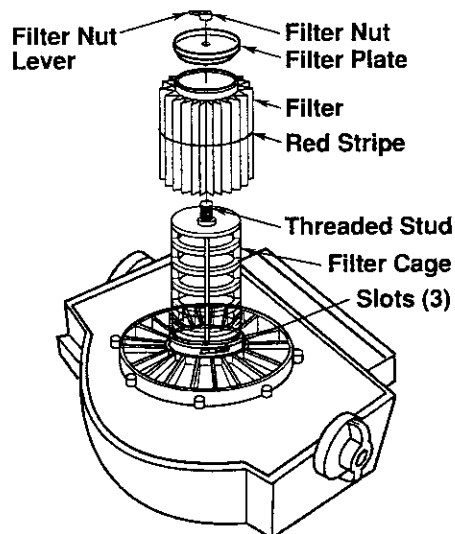
WARNING: For your own safety, never connect plug to power source outlet until all assembly steps are complete and you have read and understood the safety and operation instructions. Do not operate vac with any parts damaged or missing.

1. Carefully slide the filter over the filter cage, sliding it over the center ring covering the 3 slots until the filter stops against the lid.
2. Place the hole in the filter plate over threaded stud of the filter cage.
3. Gently push on the filter plate to seat the rubber ring of the filter inside the circular channel of the filter plate.
4. Place filter nut onto threaded stud and tighten it down. Finger tighten only.

NOTE: Lever of filter nut should be away from plate as shown.

IMPORTANT: Do not overtighten as this may deform or crack the filter plate, filter cage, or filter.

NOTE: Your filter has a red stripe that matches an in-store displayer. When you visit your local Sears store, just remember the color of your stripe for the correct size filter.

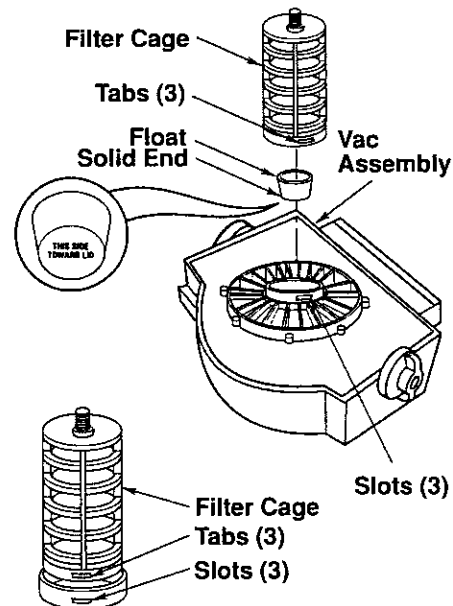


WARNING: To avoid personal injury or damage to vac be sure to keep hands, fingers, or any other foreign objects out of the center opening when assembling the float.

Filter Cage Assembly

NOTE: If filter cage needs to be removed, or replaced, use a flat blade screwdriver and insert the blade near one of the tabs between the filter cage and the center ring of the lid. Pry the tab out of the slot. Tilt the cage and lift away from the lid. Replace in the following manner:

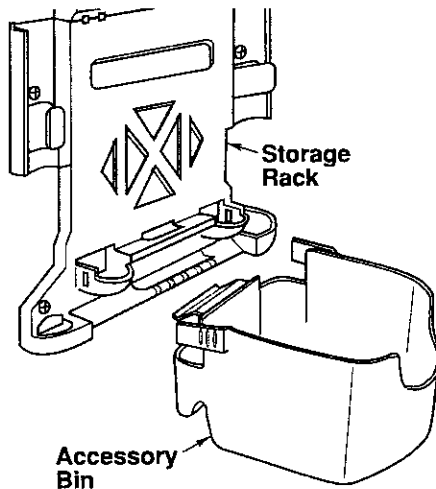
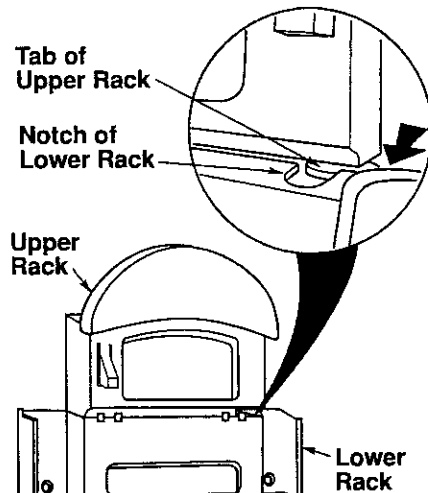
1. Place the float over the opening in the center of the lid with the words "This Side Towards Lid" laying face down over the hole.
2. Line up filter cage tabs with slots in the center ring of the lid.
3. Push on the filter cage until the tabs snap into slots for a secure fit.



Storage Rack Assembly & Mounting

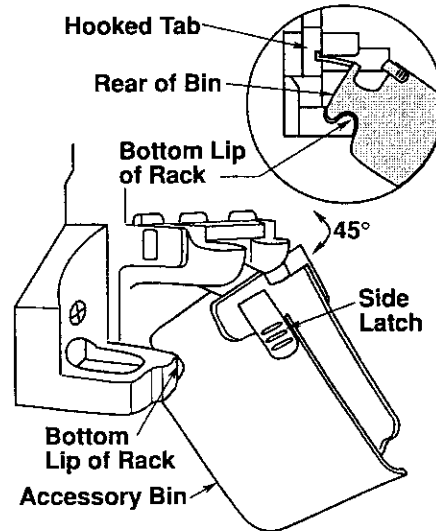
Assembling Upper and Lower Rack

Align the tabs in the upper rack with notches in lower rack. Slide upper rack forward until the center hook on the lower rack engages the bottom flange of the upper rack. You will hear an audible click when the lock engages.

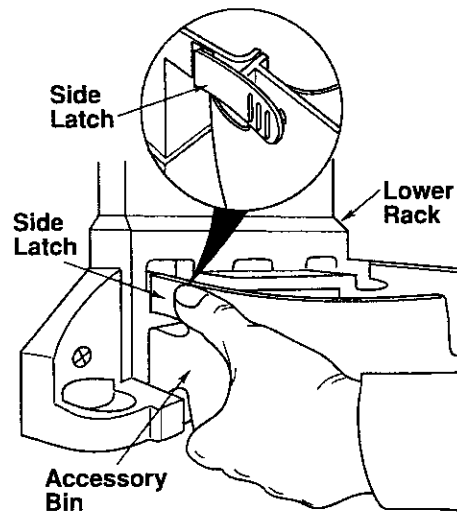


Assembling Accessory Bin to Lower Rack

1. With the accessory bin angled down approximately 45°, hook the rear of the bin over the bottom lip on the rack.



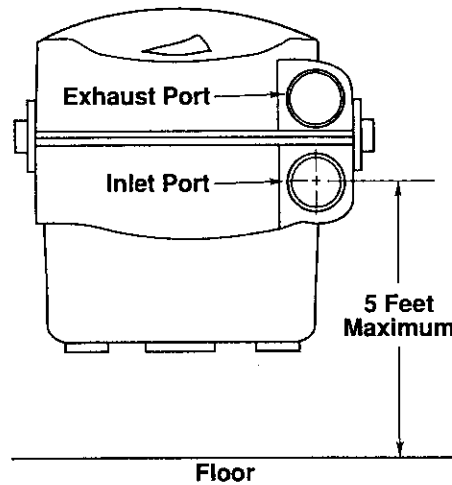
2. Depress hooked tab and rotate accessory bin up and back until tab snaps into the opening in the lower rack.
3. Continue to rotate the bin until the side latches engage openings in rack and the bin is in a horizontal position.



Storage Rack Assembly & Mounting (cont.) —

Mounting Storage Rack to Wall

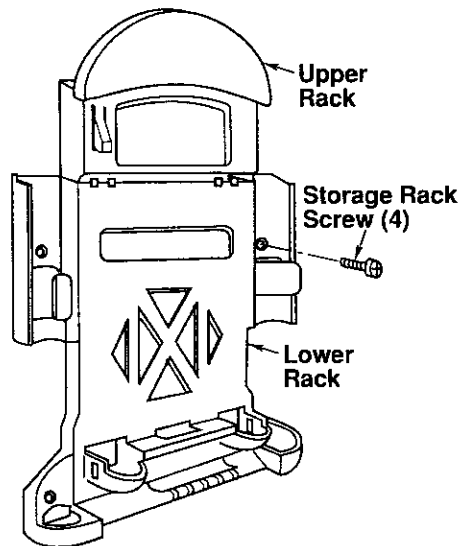
- Do not mount over 5' from the ground.
 - Do not attach screws to drywall only. Make sure screws are attached to studs on 16" centers.
 - Do not sit or hang on storage rack.
 - Do not exceed maximum weight limit of 40 pounds.
1. Choose a location that is indoors and not exposed to rain. For best performance and easy access, position the storage rack so the center of the vacuum inlet port is no more than five feet from floor and no more than eighteen feet from the electrical outlet.



2. The screw holes in the storage rack are spaced sixteen inches apart to correspond with standard wall stud spacing. Locate two wall studs and position the storage rack so that all four screw holes are over the studs. Level the rack and mark the hole locations. Drill a 1/8" diameter pilot hole at each location. Attach the storage rack to wall studs using the four screws provided. Make sure all four screws are driven securely into the wall studs.
3. If your wall studs are not located 16" apart or the desired location does not align with the wall studs, a 1/2" thick plywood panel 30" wide, must be attached to the studs with the four screws provided. The storage rack may then be attached to the plywood panel with four 1" #10 pan or round head wood screws (not provided).

NOTE: Supplied wood screws are intended for mounting to typical wall construction consisting of 5/8" drywall or less.

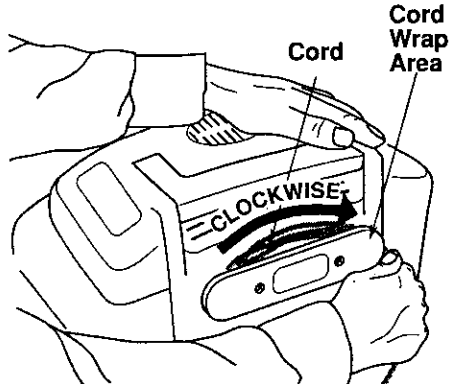
CAUTION: To prevent plywood, Storage Rack, or Wet/Dry Vac from falling, make sure you have selected the proper length of fastener for the secure mounting of storage rack to the wall.



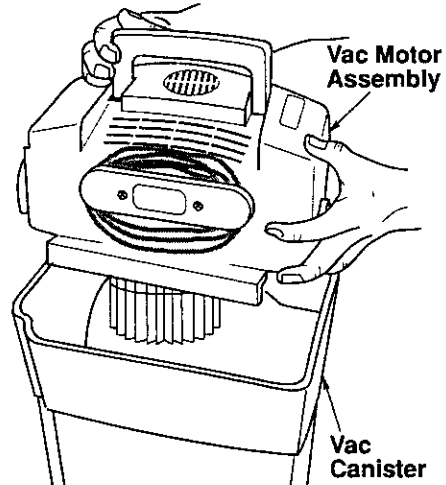
Clean 'N Carry Vac Assembly

Vac Assembly

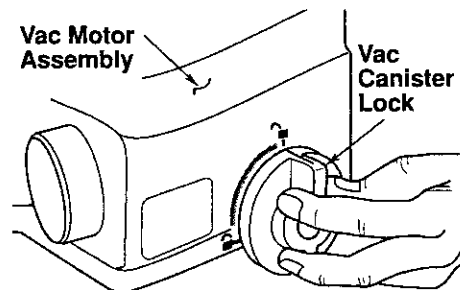
1. Wind the electrical cord clockwise (from the rear) around the cord wrap area on back of vac motor assembly.



3. Place vac motor assembly onto vac canister assembly.

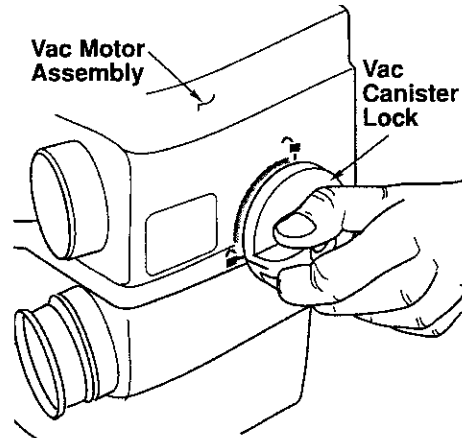


2. Position the vac canister lock in the unlock position.



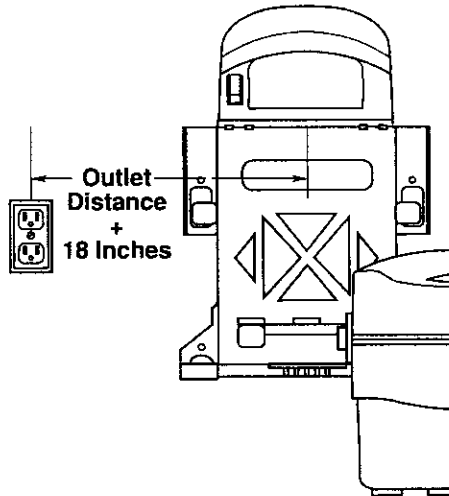
4. Turn vac canister lock into locked position.

NOTE: There is a detent at the end of travel in both the locked and unlocked position. Continue to turn knob until it "clicks" into the desired position. You should feel and hear the "click".

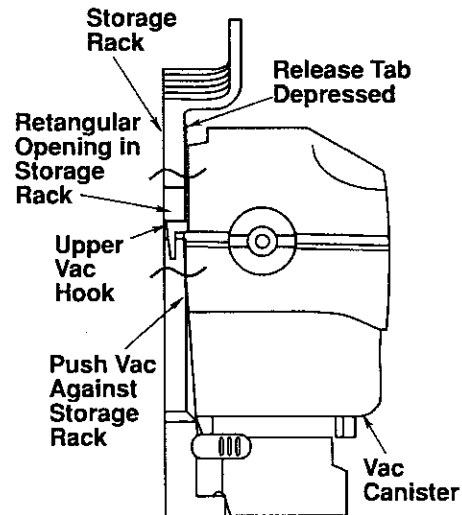
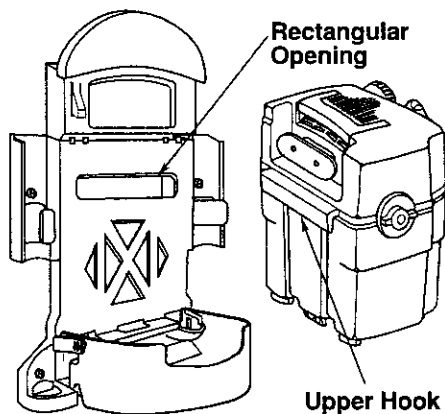


Hanging Vac on Storage Rack

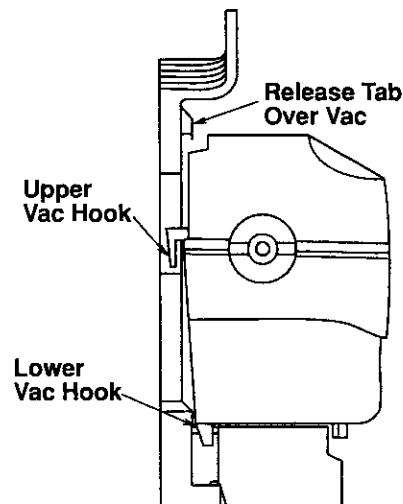
1. Set the vac on the floor near the storage rack. Measure the distance from center of storage rack to the closest electrical outlet and add 18 inches.



2. Uncoil that amount of power cord from the cord wrap. Drape the loose cord over the top of the vacuum and down the front.
3. Grasp the handle with one hand and the bottom of the vac canister at the front foot with the other hand. Always lift the vac with both hands. Lift the vac up to the storage rack.
4. Align the upper hook on the vac with the rectangular opening in the storage rack. Push the vac against the storage rack.

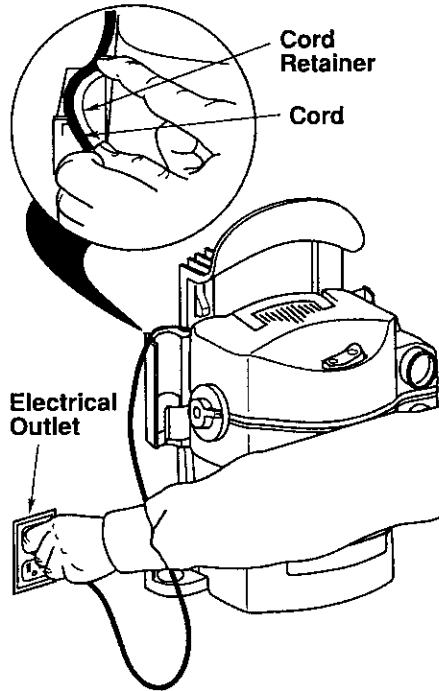


5. Lower the vac until the upper vac hook and lower hook are engaged and the bottom of the vac canister rests on the rack. The release tab will pop out over top of vac.



6. Snap the power cord into the cord retainers in the front surface of the rack and loop around the keeper behind the wand storage area. The cord may exit on either the left or right side. Plug the power cord into the electrical outlet. Do not fasten power cord to wall in any way.

Hanging Vac on Storage Rack (continued) —



Cord Storage

When your Clean 'N Carry Wet/Dry Vac is not in use, it should be unplugged from the outlet. Excess cord should be wrapped over the hose storage rack and around the accessory storage bin. Several loops may be required to eliminate any tripping hazard created by a loosely hanging cord.

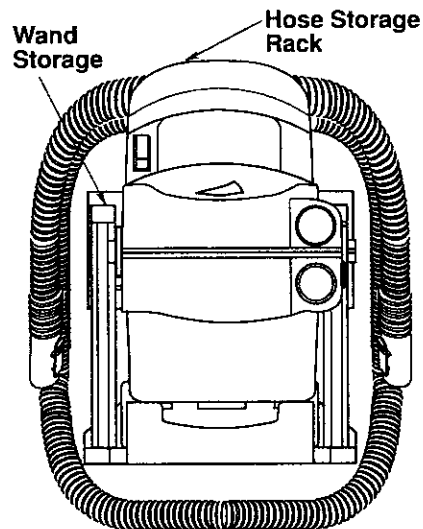
Removing Vac from Storage Rack

1. Unplug the power cord from the electrical outlet. Remove the cord from the keeper and retainers. Drape the loose cord over the top of the vac.
2. With your right hand, raise the folding handle.
3. With your left hand depress the release tab located on the upper left corner of the storage rack.
4. Lift up on the handle, and pull the vac up and out of the storage rack.

Accessories —

Hose and Extension Wand Storage

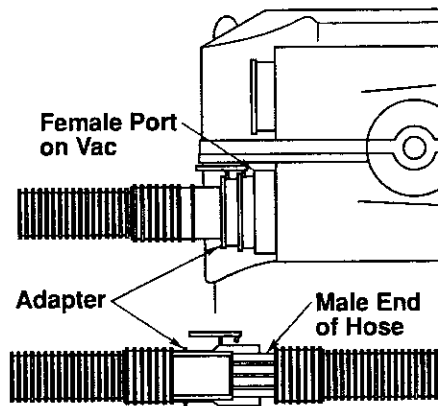
1. Slide the extension wands on either side of the Clean 'N Carry vac for storage. The storage rack accommodates both extension wands.
2. Wrap the Pos-I-Lock Hoses around the upper storage rack as shown.



Accessories (continued)

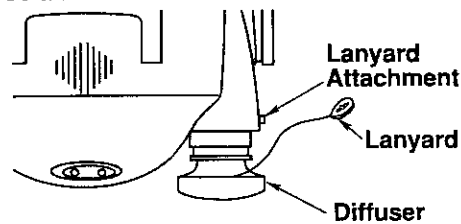
Hoses (14' & 7' Pos-I-Lock)

The Pos-I-Lock Hose has an adapter that can be used to connect the hose to the female port on the vac or to the male end of another hose.



Diffuser Cap Assembly

Attach the lanyard to the vac motor assembly of the vac to keep the diffuser attached to vac when using the blower port. Both the 7' and 14' hose can be used independently. They can also be connected together by first connecting the single locking hose to the wet/dry vac (14' hose from factory). Next, you will connect the double locking hose (7' from factory) to the fist hose by inserting the friction end of the first hose into the larger locking end of the second hose. This will be a friction connection



Operation

WARNING

To reduce the risk of fire or explosion, do not operate this vac in areas with flammable gases, vapors or explosive dust in the air. Flammable gases or vapors include but are not limited to; lighter fluid, solvent type cleaners, oil-base paints, gasoline, alcohol or aerosol sprays. Explosive dusts include but are not limited to; coal, magnesium, grain or gun powder. Do not vacuum explosive dust, flammable or combustible liquids or hot ashes. Do not use this vac as a sprayer. To reduce the risk of health hazards from vapors or dusts, do not vacuum toxic materials.

CAUTION: To reduce risk of hearing damage, wear ear protectors when using the vac for extended hours or when using it in a noisy area. The operation of any utility vac can result in foreign objects being blown into the eyes, which can result in severe eye damage. Always wear safety goggles complying with ANSI Z87.1 (or in Canada, CSA Z94.3) before commencing operation. Safety Goggles are available at many local retail stores.

To reduce the risk of electric shock, this appliance has a polarized plug (one blade is wider than the other). This plug will fit in a polarized outlet only one way. If the plug does not fit fully in the outlet, reverse the plug. If it still does not fit, contact a qualified electrician to install the proper outlet. Do not change the plug in any way.

After you plug the power cord into the outlet, turn the unit on by pushing the switch from position "O" to position "I". The symbols used on the switch actuator are international "On & Off" symbols. "O" is the symbol for "OFF" and "I" is the symbol for "ON".

○ = OFF | = ON

Operation (continued)

Vacuumping Dry Materials

1. The filter must always be in correct position to reduce the risk of leaks and possible damage to the vac.
2. When using your vac to pick up very fine dust, it will be necessary for you to empty the vac canister and clean the filter at more frequent intervals to maintain peak vac performance.

NOTE: A dry filter is necessary to pick up dry material. If you use your vac to pick up dust when the filter is wet, the filter will clog quickly and be very difficult to clean.

3. If your filter is wet but you need to use the vac to pick up dry material, you can quickly dry the filter by running the vac without hose attached for about 10 minutes. The clean air rushing through the vac will help dry the filter.

The optional Craftsman HEPA Rated Material Filter, stock number 9-17912 will do a better job stopping very fine particles than the 9-17816 filter.

Vacuumping Liquids

1. When picking up small amounts of liquid the filter may be left in place.
2. When picking up large amounts of liquid we recommend removing the vacuum from the storage rack and placing it on the floor. When full of water the vac will weigh approximately 40 pounds and may be difficult to remove from the storage rack. Always empty vac and dry filter immediately after picking up liquids.
3. After using the vac to pick up liquids, the filter must be dried to reduce the risk of possible mildew and damage to the filter.

4. When the liquid in the vac canister reaches a predetermined level, the float mechanism will rise automatically to cut off airflow. When this happens, turn off the vac, unplug the power cord, and empty the vac canister. You will know that the float has risen because vac airflow ceases and the motor noise will become higher in pitch, due to increased motor speed.

IMPORTANT: To reduce the risk of damage to the vac do not run motor with float in raised position.

Emptying the Vac Canister

WARNING: To reduce the risk of injury from accidental starting, unplug power cord before emptying the vac canister.

1. With the vacuum removed from the storage rack (see Removing Vac from Storage Rack section), remove the vac motor assembly from the vac canister assembly.
 2. Lay vac motor assembly upside down on a clean area while emptying vac canister.
 3. Dump the vac canister contents into the proper waste disposal container.
- Sears recommended accessories are available at Sears retail stores.

WARNING: To reduce the risk of back injury or falls, do not lift a vac heavy with liquid or debris. Scoop or drain enough contents out to make the vac light enough to lift comfortably.

Maintenance

Filter

WARNING: To reduce the risk of injury from accidental starting, unplug power cord before changing or cleaning filter.

NOTE: This filter is made of high quality paper designed to stop very small particles of dust. The filter can be used for wet or dry pick up. Handle the filter carefully when removing to clean or installing it. Creases in the filter pleats may occur from installation but creases will not affect the performance of the filter.

Filter Removal

To remove the filter for cleaning or replacement, unscrew the filter nut from the filter cage, remove filter plate and lift off filter.

WARNING: Do not remove the filter cage. It is there to help prevent your fingers from getting into the blower wheel.

IMPORTANT: To reduce the risk of damage to the blower wheel and motor, always reinstall the filter before using the vac for dry material pickup.

Filter Cleaning

Your filter should be cleaned often to maintain peak vac performance.

Be sure to dry the filter before storing or picking up dry debris.

IMPORTANT: After cleaning, check the filter for tears or small holes. Do not use a filter with holes or tears in it. Even a small hole can cause a lot of dust to come out of your vac. Replace it immediately.

Cleaning A Dry Filter

Some removal of dry debris can be accomplished without removing the filter from the vac. Slap your hand on top of the power assembly while the vac is turned off and remove from the storage rack.

For best cleaning results due to accumulated dust, clean the filter in an open area. Cleaning **SHOULD** be done outdoors and not in the living quarters.

After filter removal from vac, remove the dry debris by gently tapping the filter against the inside wall of your dust vac canister. The debris will loosen and fall.

For thorough cleaning of dry filter with fine dust (no debris), run water through it as described under "Cleaning A Wet Filter".

Cleaning A Wet Filter

After filter is removed, run water through the filter from a hose or spigot. Take care that water pressure from the hose is not strong enough to damage filter.

Remember: To dry a filter quickly, reinstall the filter on the vac and allow the unit to run for approximately 10 minutes. The clean air rushing through the filter will dry it.

Installation

Refer to "Filter Assembly" Section of this manual.

Allow the filter to dry before storing the vac.

Clean 'N Carry Vac Cleaning

To keep your Wet/Dry Clean 'N Carry Vac looking its best, clean the outside with a cloth dampened with warm water and mild soap.

To clean the vac canister:

1. Dump debris out.
2. Wash vac canister thoroughly with warm water and mild soap.
3. Wipe out with dry cloth.

WARNING: To assure product **SAFETY** and **RELIABILITY**, repairs and adjustment should be performed by Sears Service Centers, always using Sears replacement parts.


Repair Parts

5 Gallon Clean 'N Carry Wet/Dry Vac Model Number 113.179255

Always order by Part Number - Not by Key Number

WARNING

SERVICING OF DOUBLE-INSULATED CLEAN 'N CARRY VAC

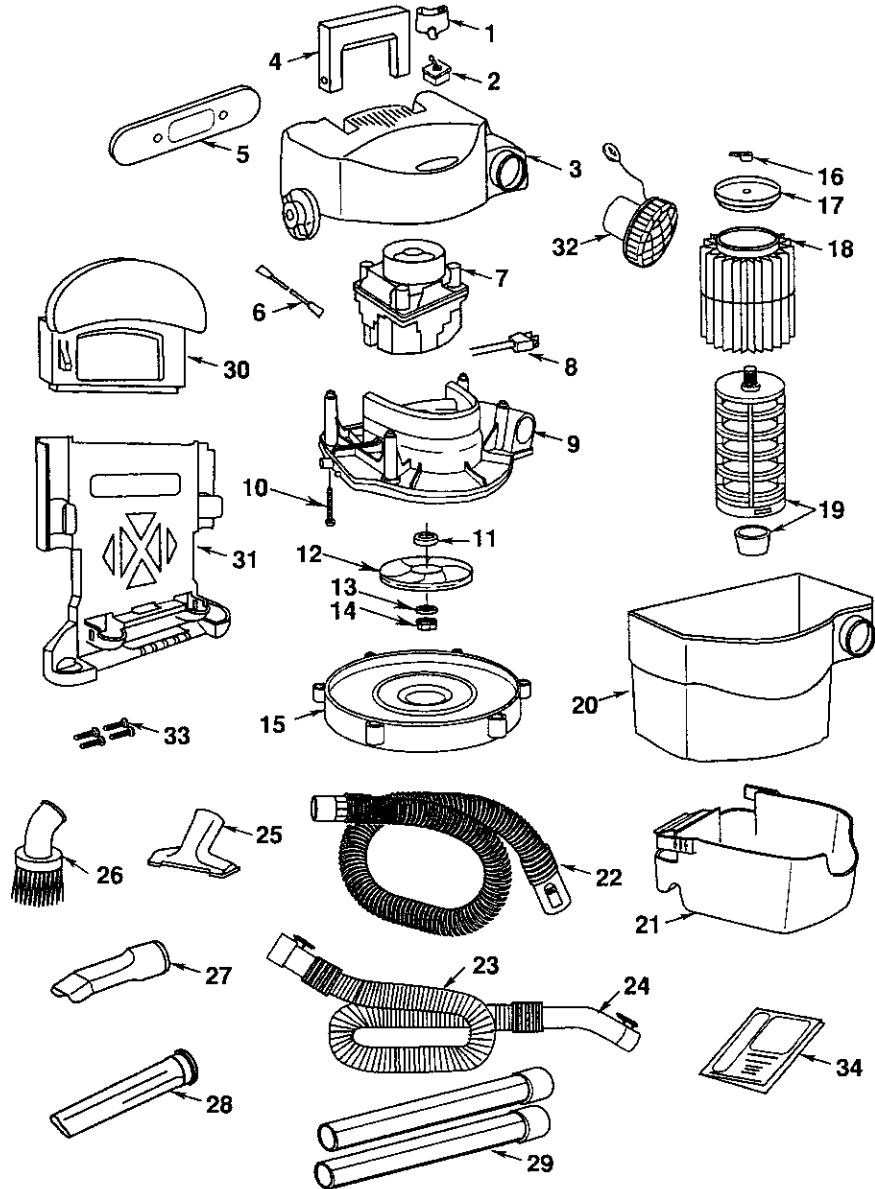
In a double-insulated Clean 'N Carry Vac, two systems of insulation are provided instead of grounding. No grounding means is provided on a double-insulated appliance, nor should a means for grounding be added. Servicing a double-insulated Clean 'N Carry Vac requires extreme care and knowledge of the system, and should be done only by qualified service personnel. Replacement parts for a double-insulated Clean 'N Carry Vac must be identical to the parts they replace. Your double-insulated Clean 'N Carry Vac is marked with the words "DOUBLE INSULATED" and the symbol  (square within a square) may also be marked on the appliance.

Key No.	Part No.	Description
1	813213	Actuator, Switch
2	830953	Switch, Toggle
3	509864	Motor Cover (Includes Keys 1, 2, 4, & 5)
4	830663	Handle, Carry
5	830666	Retainer Cord
6	819260-5	Lead Assembly
7	830239-1	Motor Assembly (Includes Keys 6, 11, 12, 13, & 14)
8	829719-4	Cord w/Terminals
9	509863	Lid Assembly
10	820563-4	Screw, Pan Head Type "AB" 10 x 3/4
11	818961	Spacer
12	818413-3	Blower Wheel
13	315534-1	Washer
14	826817	Nut, Hex Flange 1/4-20
15	828838	Collector
16	9-16938	† Filter Nut
17	9-16937	† Filter Plate
18	9-17816	† Filter (Red Stripe)
19	509238-1	Cage/Float
20	509862-1	Vac Canister
21	830672	Accessory Storage Bin
22	830673	14' Pos-I-Lock Hose
23	830674	7' Pos-I-Lock Hose (Includes Key 24)
24	830714	Adaptor Hose Elbow
25	829794	Utility Nozzle
26	830627	Dusting Brush
27	829971	Car Nozzle
28	829792	Crevice Tool
29	829798-1	Extension, Wands
30	830670	Storage Upper Rack
31	830671	Storage Lower Rack
32	830675	Diffuser
33	820563-12	#10 - 1-3/4 Wood Screws
34	SP6537	Owner's Manual

† Stock Item - May Be Secured Through The Hardware Department Of Most Sears Retail Stores

Repair Parts

5 Gallon Clean 'N Carry Wet/Dry Vac Model Number 113.179255



For in-home major brand repair service:

Call 24 hours a day, 7 days a week

1-800-4-MY-HOME (1-800-469-4663)

Para pedir servicio de reparación a domicilio - 1-800-676-5811

For the repair or replacement parts you need:

Call 6 am – 11 pm CST, 7 days a week

Parts Direct

1-800-366-PART (1-800-366-7278)

Para ordenar piezas con entrega a domicilio - 1-800-659-7084

**For the location of a Sears Parts and Repair Center
in your area:**

Call 24 hours a day, 7 days a week

1-800-488-1222

**For information on purchasing a Sears Maintenance Agreement
or to inquire about an existing Agreement:**

Call 9 am – 5 pm, Monday - Saturday

1-800-827-6655



The model and serial numbers will be found on the motor cover.

When requesting service or ordering parts, always provide the following information:

- **Product Type**
- **Model Number**
- **Part Number**
- **Part Description**

© 2004 Emerson

Sears, Roebuck and Co., Chicago, IL 60179 U.S.A.

Part No. SP6537

Form No. SP6537

Printed in U.S.A. 07/04

Free Manuals Download Website

<http://myh66.com>

<http://usermanuals.us>

<http://www.somanuals.com>

<http://www.4manuals.cc>

<http://www.manual-lib.com>

<http://www.404manual.com>

<http://www.luxmanual.com>

<http://aubethermostatmanual.com>

Golf course search by state

<http://golfingnear.com>

Email search by domain

<http://emailbydomain.com>

Auto manuals search

<http://auto.somanuals.com>

TV manuals search

<http://tv.somanuals.com>