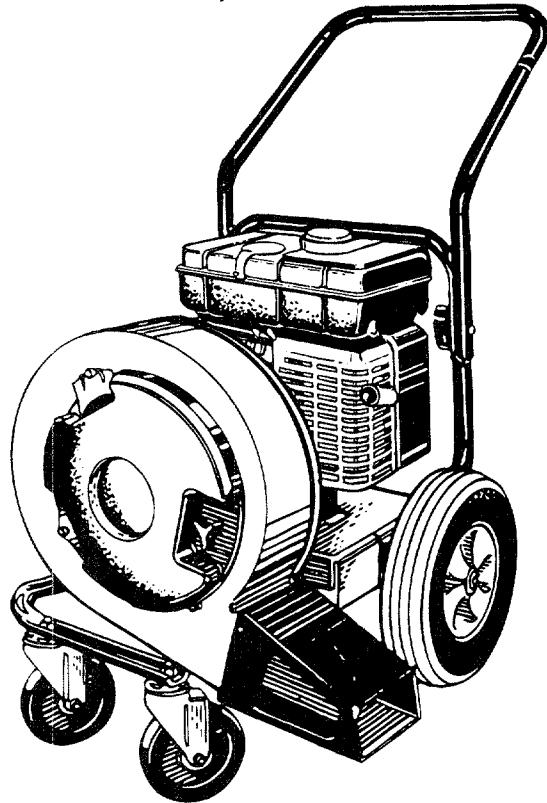


1996

**SEARS
OWNER'S
MANUAL**

**MODEL NO.
247.797900**



CRAFTSMAN®

**5 HORSEPOWER
AIR SWEEPER**

**Caution:
Read and Follow
All Safety Rules
and Instructions
Before Operating
This Equipment**

**Assembly
Operation
Customer Responsibilities
Service and Adjustment
Repair Parts**

SEARS, ROEBUCK AND CO., Chicago, IL 60684 U.S.A.

IMPORTANT

SAFE OPERATION PRACTICES



THIS SYMBOL POINTS OUT IMPORTANT SAFETY INSTRUCTIONS WHICH, IF NOT FOLLOWED, COULD ENDANGER THE PERSONAL SAFETY AND/OR PROPERTY OF YOURSELF AND OTHERS. READ AND FOLLOW ALL INSTRUCTIONS IN THIS MANUAL BEFORE ATTEMPTING TO OPERATE YOUR AIR SWEEPER. FAILURE TO COMPLY WITH THESE INSTRUCTIONS MAY RESULT IN PERSONAL INJURY. WHEN YOU SEE THIS SYMBOL: HEED ITS WARNING.



DANGER: Your air sweeper was built to be operated according to the rules for safe operation in this manual. As with any type of power equipment, carelessness or error on the part of the operator can result in serious injury. This unit is capable of amputating fingers and hands and throwing objects.

I. GENERAL OPERATION

1. Read this owner's guide carefully in its entirety before attempting to assemble this machine. Read, understand, and follow all instructions on the machine and in the manual(s) before operation. Be completely familiar with the controls and the proper use of the machine before operating it. Keep this manual in a safe place for future and regular reference and for ordering replacement parts.
2. Your air sweeper is a powerful tool, not a plaything. Therefore, exercise extreme caution at all times. Your unit has been designed to perform one job; to blow leaves. Do not use it for any other purpose.
3. Never allow children under 14 to operate the unit. Children 14 years and older should only operate under close parental supervision. Only responsible individuals who are familiar with these rules of safe operation should be allowed to use your unit.
4. Keep the area of operation clear of all persons, particularly small children and pets. Stop the engine when they are in the vicinity of the unit.
5. Always wear safety glasses or safety goggles during operation and while performing an adjustment or repair, to protect eyes from debris or foreign objects that may be thrown from machine.
6. Wear close fitting slacks and shirt. Shirt and slacks that cover the arms and legs are recommended. Do not wear loose fitting clothes or jewelry and secure hair so it is above shoulder length. They can be caught in moving parts.
7. Do not operate the unit while under the influence of alcohol or drugs.
8. Never place your hands or any part of your body or clothing near rotating parts. Keep clear of the discharge opening at all times. Never insert your hands, fingers, feet, or any other part of your body or clothing into the discharge or air-intake openings as the rotating impeller inside the housing can cause serious injury.
9. Never operate unit without directional discharge chute and plastic impeller guard properly affixed to unit. These devices shield the operator from accidental contact with the rotating impeller.
10. Keep all guards and safety devices in place and operating properly.
11. Exercise caution when operating blower. Do not allow the discharge to point in the direction of by-standers or pets.
12. If your machine should start making an unusual noise or vibration, immediately stop the engine, disconnect the spark plug wire and move the wire away from the spark plug. Allow the machine to stop and take the following steps:
 - Inspect for damage.
 - Repair or replace any damaged parts.
 - Check for any loose parts and tighten to assure continued safe operation.
13. Muffler and engine become hot and can cause a burn. Do not touch.
14. Do not allow leaves or other debris to build-up on engine's muffler. The debris could ignite and cause a fire.

15. Do not operate engine if air cleaner or cover over carburetor air-intake is removed, except for adjustment. Removal of such parts could create a fire hazard.
16. Only use accessories approved for this machine by the manufacturer. Read, understand, and follow all instructions provided with the approved accessory.
17. Only operate unit in good daylight. Do not operate unit at night or in dark areas where your vision may be impaired.
18. If situations occur which are not covered by this manual, use care and good judgment. Contact your dealer for assistance.



II. CHILDREN

Tragic accidents can occur if the operator is not alert to the presence of small children. Children are often attracted to the blowing activity. Never assume that children will remain where you last saw them.

1. Keep children out of the work area and under the watchful eye of a responsible adult other than the operator.
2. Be alert and turn the unit off if a child enters the area.
3. Never allow children under the age of 14 to operate the air sweeper.



III. SERVICE

1. Use extreme care in handling gasoline and other fuels. They are extremely flammable and the vapors are explosive.
 - a. Store fuel and oil in approved containers, away from heat and open flame, and out of the reach of children.
 - b. Check and add fuel before starting the engine. Never remove gas cap or add fuel while the engine is running. Allow engine to cool at least two minutes before refueling.
 - c. Replace gasoline cap securely and wipe off any spilled gasoline before starting the engine as it may cause a fire or explosion.
 - d. Extinguish all cigarettes, cigars, pipes and other sources of ignition.
 - e. Never refuel unit indoors because flammable vapors will accumulate in the area.
 - f. Never store the machine or fuel container inside where there is an open flame or spark such as a gas hot water heater, clothes dryer or furnace.
2. Never run your machine in an enclosed area as the exhaust from the engine contains carbon monoxide, which is an odorless, tasteless and deadly poisonous gas.
3. To reduce fire hazard, keep engine and muffler free of leaves, grass, and other debris build-up. Clean up fuel and oil spillage. Allow unit to cool at least 5 minutes before storing.
4. Before cleaning, repairing, or inspecting, make certain the impeller and all moving parts have stopped. Disconnect the spark plug wire and keep wire away from spark plug to prevent accidental starting. Do not use flammable solutions to clean air filter.
5. Keep all nuts, bolts, and screws tight to be sure the equipment is in safe working condition.
6. Never tamper with safety devices. Check their proper operation regularly.
7. Do not alter or tamper with the engine's governor setting. The governor controls the maximum safe operating speed of the engine. Over-speeding the engine is dangerous and will cause damage to the engine and to other moving parts of the machine.



OWNER'S MANUAL

SAFETY LABEL



WARNING — YOUR RESPONSIBILITY

Restrict the use of this power machine to persons who read, understand and follow the warnings and instructions in this manual and on the machine.

CONGRATULATIONS on your purchase of a Sears Craftsman Air Sweeper. It has been designed, engineered and manufactured to give you the best possible dependability and performance.

Should you experience any problem you cannot easily remedy, please contact your nearest Sears Service Center/ Department in the United States. We have competent, well-trained technicians and the proper tools to service or repair this unit.

Please read and retain this manual. The instructions will enable you to assemble and maintain your air sweeper properly. Always observe the "SAFETY RULES."

MODEL NUMBER 247.797900

SERIAL NUMBER _____

DATE OF PURCHASE _____

THE MODEL AND SERIAL NUMBERS WILL BE FOUND ON A LABEL ATTACHED TO THE FRAME OF THE AIR SWEEPER.

YOU SHOULD RECORD BOTH SERIAL NUMBER AND DATE OF PURCHASE AND KEEP IN A SAFE PLACE FOR FUTURE REFERENCE.

CUSTOMER RESPONSIBILITIES

- Read and observe the safety rules.
- Follow a regular schedule in maintaining, caring for and using your air sweeper.
- Follow the instructions under "Customer Responsibilities" and "Storage" sections of this Owner's Manual.

PRODUCT SPECIFICATIONS

Horsepower:	5.0
Displacement:	12.57 cu. in.
Fuel Capacity:	1 Gallon (Unleaded)
Engine Oil API Classification SF, SG or SH	SAE 30 (20 ounces)
Spark Plug (Gap .030 in.):	Champion J19LM (or Equivalent)
Magnetron® Ignition Air Gap:	.0125 in.

MAINTENANCE AGREEMENT

A Sears Maintenance Agreement is available on this product. Contact your nearest Sears store for details.

WARNING: This unit is equipped with an internal combustion engine and should not be used on or near any unimproved forest-covered, brush-covered or grass-covered land unless the engine's exhaust system is equipped with a spark arrester meeting applicable local or state laws (if any). If a spark arrester is used, it should be maintained in effective working order by the operator.

In the State of California the above is required by law (Section 4442 of the California Public Resources Code). Other states may have similar laws. Federal laws apply on federal lands. A spark arrester for the muffler is available through your nearest Sears Authorized Service Center (See the REPAIR PARTS section of this manual.)

WARRANTY

FULL ONE YEAR WARRANTY ON CRAFTSMAN POWER BLOWER

For one year from the date of purchase, when this Craftsman power blower is maintained, lubricated, and tuned up according to the operating and maintenance instructions in the operator's manual, Sears will repair, free of charge, any defect in material or workmanship.

This warranty excludes the spark plug and air cleaner, which are expendable parts and become worn during normal use.

If this power blower is used for commercial or rental purposes, this warranty applies for only 30 days from the date of purchase.

WARRANTY SERVICE IS AVAILABLE BY CONTACTING THE NEAREST SEARS SERVICE CENTER IN THE UNITED STATES. THIS WARRANTY APPLIES ONLY WHILE THIS PRODUCT IS IN USE IN THE UNITED STATES.

This warranty gives you specific legal rights, and you may also have other rights which vary from state to state.

SEARS ROEBUCK AND CO., DEPT. 817WA, HOFFMAN ESTATES, IL 60179

TABLE OF CONTENTS

SAFETY RULES.....2	STORAGE12
PRODUCT SPECIFICATIONS3	SERVICE AND ADJUSTMENT13
WARRANTY3	TROUBLE SHOOTING.....14
INDEX4	PARTS ORDERING/SERVICE.....14
ASSEMBLY5, 6	REPAIR PARTS—AIR SWEEPER.....15, 16
OPERATION7-9	REPAIR PARTS—ENGINE17-21
CUSTOMER RESPONSIBILITIES10, 11	

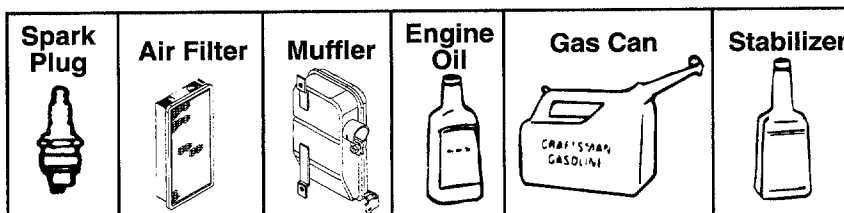
INDEX

<p style="text-align: center;">A</p> <p>Accessories4</p> <p>Adjustments:</p> <p style="padding-left: 20px;">Carburetor.....13</p> <p style="padding-left: 20px;">Engine Speed13</p> <p style="padding-left: 20px;">Throttle.....13</p> <p>Assembly Instructions.....5, 6</p> <p style="text-align: center;">C</p> <p>Controls7</p> <p>Customer Responsibilities3, 10, 11</p> <p style="text-align: center;">E</p> <p>Engine:</p> <p style="padding-left: 20px;">Maintenance10, 11</p> <p style="padding-left: 20px;">Starting9</p> <p style="padding-left: 20px;">Stopping.....8</p> <p style="padding-left: 20px;">Storage12</p> <p style="text-align: center;">F</p> <p>Fuel.....8</p> <p style="text-align: center;">L</p> <p>Lubrication10</p>	<p style="text-align: center;">M</p> <p>Maintenance:</p> <p style="padding-left: 20px;">Agreement3</p> <p style="padding-left: 20px;">Air Sweeper10</p> <p style="padding-left: 20px;">Schedule.....10</p> <p style="padding-left: 20px;">Engine.....10, 11</p> <p style="text-align: center;">O</p> <p>Oil8, 10</p> <p style="text-align: center;">R</p> <p>Repair/Replacement Parts15-21</p> <p>Responsibilities, Customer3, 9, 10</p> <p style="text-align: center;">S</p> <p>Safety Rules2</p> <p>Service Recommendations.....10</p> <p>Spark Plug11</p> <p>Specifications.....3</p> <p>Storage12</p> <p style="text-align: center;">T</p> <p>Table of Contents4</p> <p>Trouble Shooting14</p> <p style="text-align: center;">U</p> <p>Unpacking.....5</p> <p style="text-align: center;">W</p> <p>Warranty3</p>
---	---

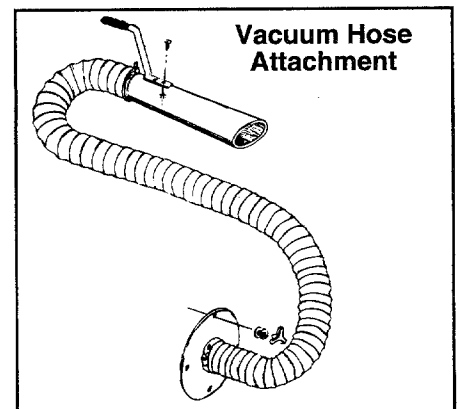
AIR SWEEPER ACCESSORIES

These accessories were available when the air sweeper was purchased. They are also available at most Sears retail outlets, catalog and service centers. Most Sears stores can order repair parts for you, when you provide the model number of your air sweeper.

ENGINE



AIR SWEEPER



ASSEMBLY INSTRUCTIONS

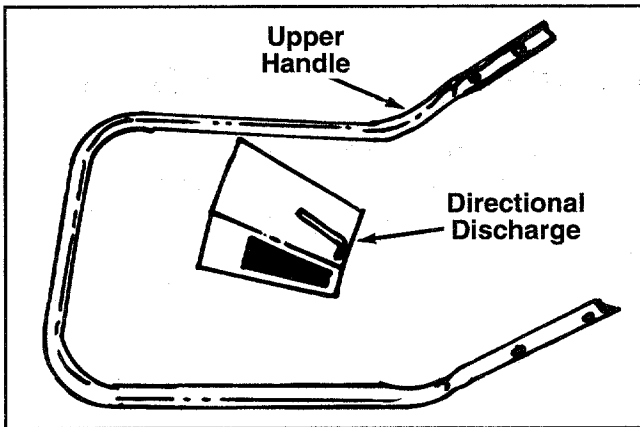


FIGURE 1.

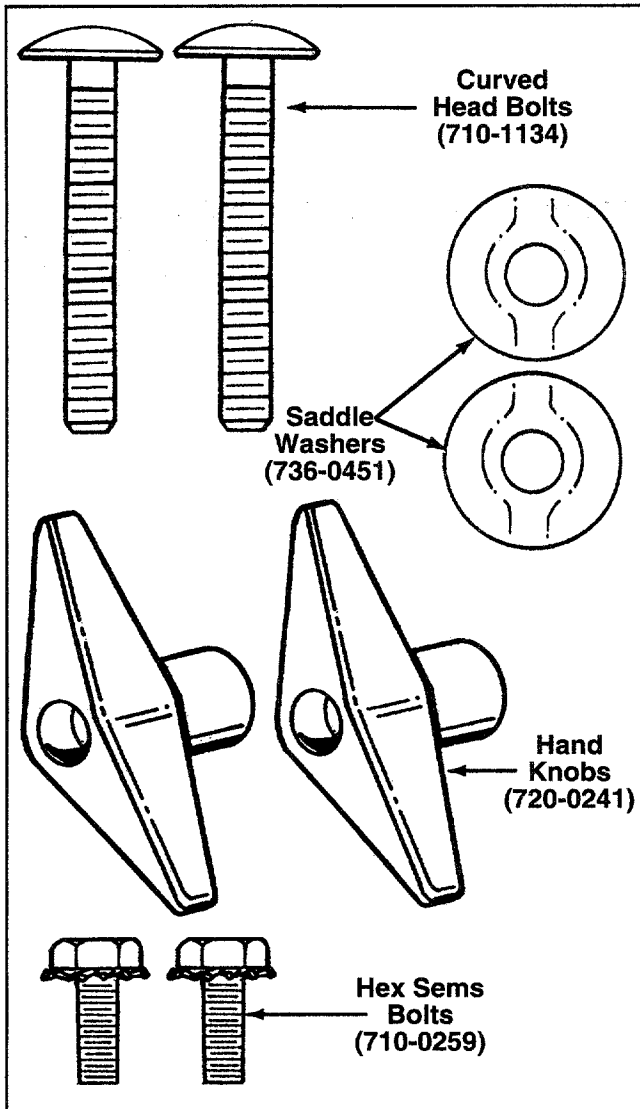


FIGURE 2.

IMPORTANT: This unit is shipped WITHOUT GASOLINE or OIL. After assembly, see operation section of this manual for proper fuel and engine oil recommendations.

NOTE: To determine right and left hand side of your air sweeper, stand behind the handle in the operating position.

UNPACKING

Your air sweeper, has been completely assembled at the factory except for the upper handle and directional discharge. See figure 1. The hardware pack is also included in the carton. The hardware pack contains parts shown in figure 2.

- Remove staples or break glue on the top flaps of the carton.
- Cut carton down along each corner and lay carton down flat. Roll air sweeper out of the carton.
- Make certain all parts and literature have been removed before the carton is discarded.

TOOLS REQUIRED FOR ASSEMBLY

- (1) 1/2" or Adjustable Wrench

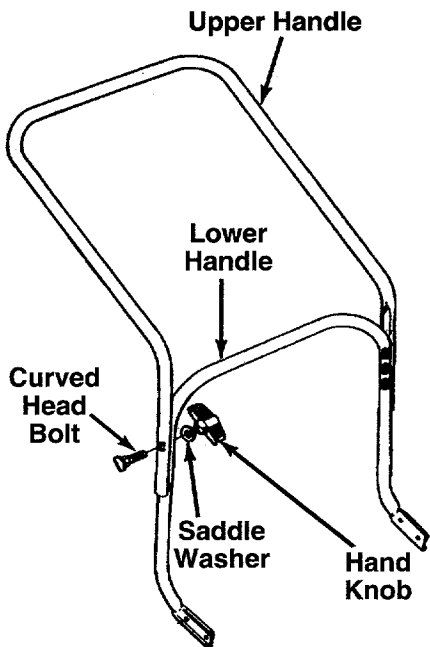


FIGURE 3.

HOW TO SET-UP YOUR AIR SWEEPER

ATTACHING THE UPPER HANDLE

Place the upper handle over the lower handle, lining up the holes in the upper handle with the **middle** holes in lower handle. Secure with curved head bolts, ← saddle washers and hand knobs. See figure 3.

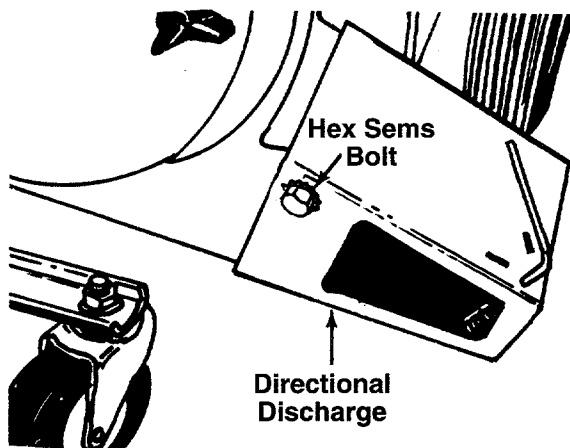


FIGURE 4.

ATTACHING THE DIRECTIONAL DISCHARGE

Slip end of directional discharge over chute opening. ← Secure in position with hex sems bolts. See figure 4.

OPERATION

KNOW YOUR AIR SWEEPER

READ THIS OWNER'S MANUAL AND SAFETY RULES BEFORE OPERATING YOUR AIR SWEEPER. Compare the illustrations with your air sweeper to familiarize yourself with the location of various controls and adjustments. Save this manual for future reference.

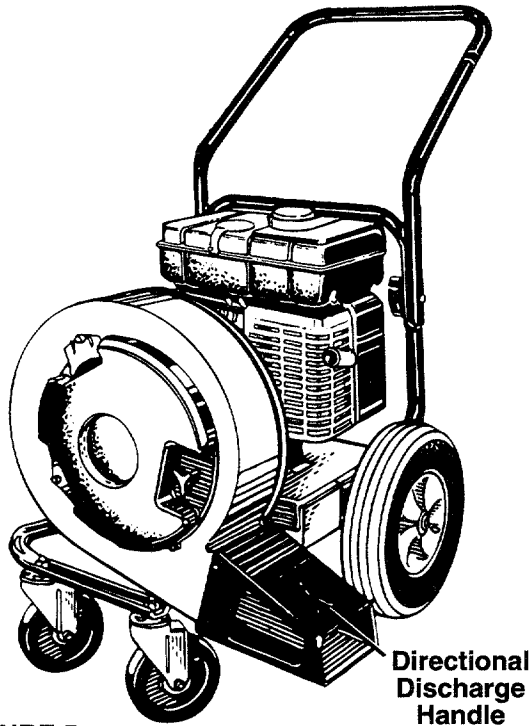


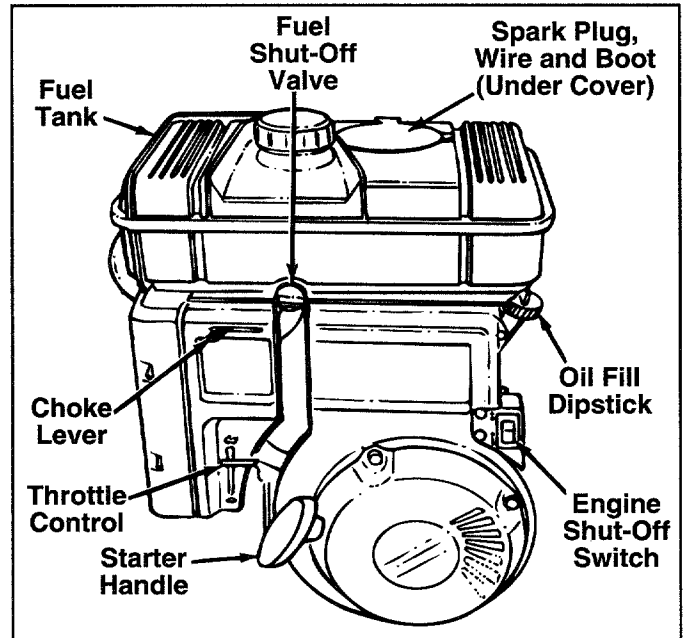
FIGURE 5.

OPERATING CONTROLS (See figure 5)

DIRECTIONAL DISCHARGE HANDLE—Used to change the direction in which air is discharged to the front or to the side.

CHOKE LEVER—Used to enrich the fuel mixture in the carburetor when starting a cold engine.

STARTER HANDLE—Used to manually start the engine.



ENGINE SHUT-OFF SWITCH—Used to stop the engine.

FUEL SHUT-OFF VALVE—Used to stop the flow of fuel into the carburetor.

THROTTLE CONTROL—Permits selection of fast or slow engine speed.

BEFORE USING YOUR AIR SWEEPER AGAIN REFER TO THE "SAFETY RULES" AS SHOWN ON PAGE 2 OF THIS MANUAL. ALWAYS BE CAREFUL.



The operation of any air sweeper can result in foreign objects being thrown into the eyes, which can result in severe eye damage. Always wear safety glasses before starting power tool operation or while performing any adjustments or repairs. We recommend Wide Vision Safety Mask for over spectacles or standard glasses available at Sears Retail or Catalog Stores.

TO STOP ENGINE

- Move throttle control lever to SLOW position.
- Move engine shut-off switch to OFF position. See figure 5.

- Disconnect spark plug wire and move away from spark plug to prevent accidental starting while equipment is unattended.
- Close fuel shut-off valve when equipment is not in use to prevent fuel leakage.

HOW TO USE YOUR AIR SWEEPER



WARNING: DO NOT AT ANY TIME MAKE ANY ADJUSTMENT TO THE UNIT WITHOUT FIRST STOPPING ENGINE AND DISCONNECTING SPARK PLUG WIRE.

TWO-WAY DISCHARGE

The air sweeper can be adjusted to discharge toward the front of the unit or to the side. Simply push down on the handle and swing door toward the front to discharge out the side, or to the side to discharge out the front. See figure 6.

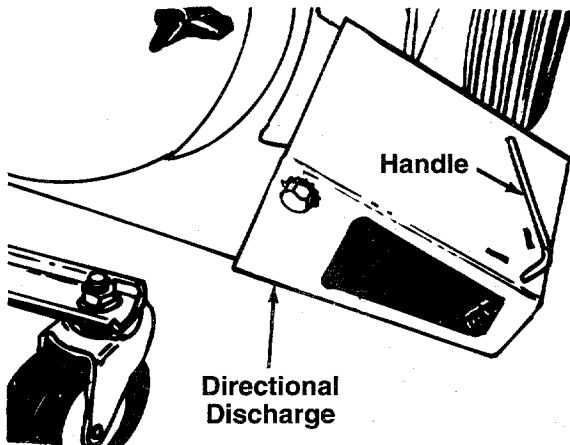


FIGURE 6.

HEIGHT ADJUSTMENT

The height adjustment crank is located on the right hand side of the air sweeper. See figure 7. Turn the crank clockwise to raise the discharge chute. Turn the crank counterclockwise to lower.

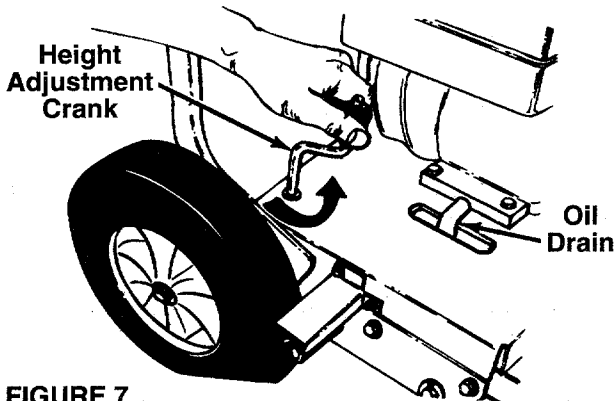
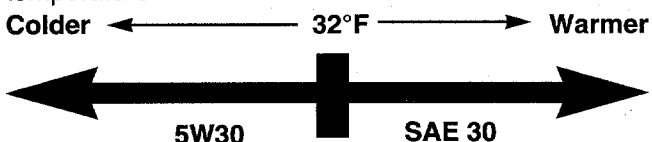


FIGURE 7.

GAS AND OIL FILL-UP

OIL

Only use high quality detergent oil rated with API service classification SF, SG or SH. Select the oil's viscosity grade according to your expected operating temperature.



NOTE: Although multi-viscosity oils (5W30, 10W30, etc.) improve starting in cold weather, these multi-viscosity oils will result in increased oil consumption when used above 32°F. Check your oil level more frequently to avoid possible engine damage from running low on oil.

- Fill engine with oil as follows. Remove oil fill dipstick. See figure 8. With air sweeper level, use a funnel to fill engine with oil to FULL mark on dipstick. Capacity is approximately 1-1/4 pints. Be careful not to overfill. Tilt air sweeper toward the left, then re-level. Check oil level. Refill to FULL mark on dipstick if necessary. Replace dipstick and tighten.

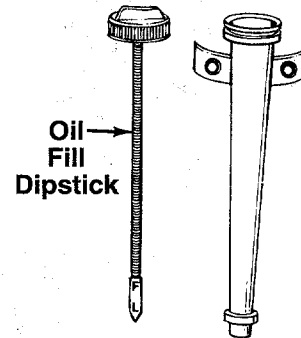


FIGURE 8.

GAS

- Remove fuel cap and fill fuel tank with about 1 gallon of clean, fresh, lead-free grade automotive gasoline. **DO NOT** use Ethyl or high octane gasoline. Be certain container is clean and free from rust or foreign particles. Never use gasoline that may be stale from long periods of storage in the container. Replace fuel cap.



WARNING: DO NOT FILL CLOSER THAN 1/2 INCH OF TOP OF FUEL TANK TO PREVENT SPILLS AND TO ALLOW FOR FUEL EXPANSION. IF GASOLINE IS ACCIDENTLY SPILLED, MOVE AIR SWEEPER AWAY FROM AREA OF SPILL. AVOID CREATING ANY SOURCE OF IGNITION UNTIL GASOLINE VAPORS HAVE DISAPPEARED.

WARNING: EXPERIENCE INDICATES THAT ALCOHOL BLENDED FUELS (CALLED GASOHOL OR USING ETHANOL OR METHANOL) CAN ATTRACT MOISTURE WHICH LEADS TO SEPARATION AND FORMATION OF ACIDS DURING STORAGE. ACIDIC GAS CAN DAMAGE THE FUEL SYSTEM OF AN ENGINE WHILE IN STORAGE. TO AVOID ENGINE PROBLEMS, THE FUEL SYSTEM SHOULD BE EMPTIED OR TREATED WITH FUEL STABILIZER BEFORE STORAGE FOR 30 DAYS OR LONGER. USE FRESH FUEL NEXT SEASON. SEE "STORAGE" SECTION FOR ADDITIONAL INFORMATION.

NEVER USE ENGINE OR CARBURETOR CLEANER PRODUCTS IN THE FUEL TANK OR PERMANENT DAMAGE MAY OCCUR.

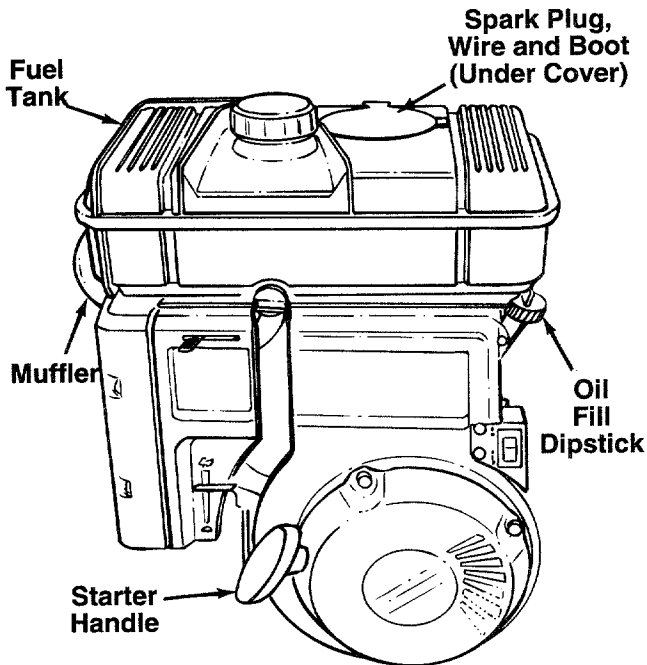


FIGURE 9.

TO START ENGINE



WARNING: DO NOT OPERATE THIS AIR SWEEPER UNLESS THE DIRECTIONAL DISCHARGE HAS BEEN PROPERLY INSTALLED AND IS SECURED. REVOLVING BLADES—KEEP HANDS AWAY FROM ALL OPENINGS.

- Open cover (on top of fuel tank) and attach spark plug wire and rubber boot to spark plug if necessary. See figure 9.
- Open fuel shut-off valve by turning in direction of arrow. See figure 10.
- Place the throttle control lever in FAST position. See figure 10.

NOTE: If the throttle control lever fails to stay in the desired position or if it is hard to move, refer to the service and adjustment section.

- Move choke lever down to CHOKE position.
- Place the engine shut-off switch in ON position. See figure 10.

- Grasp starter handle (see figure 9) and pull rope out slowly until engine reaches start of compression cycle (rope will pull slightly harder at this point). Let the rope rewind slowly.
- Pull rope with a rapid, continuous, full arm stroke. Keep a firm grip on starter handle. Let rope rewind slowly. Do not let starter handle snap back against starter.
- Repeat preceding two instructions until engine fires. When engine starts, move choke lever on engine halfway between CHOKE and RUN.

NOTE: If engine does not fire after three attempts, move choke lever halfway between CHOKE and RUN position and try again. See figure 10.

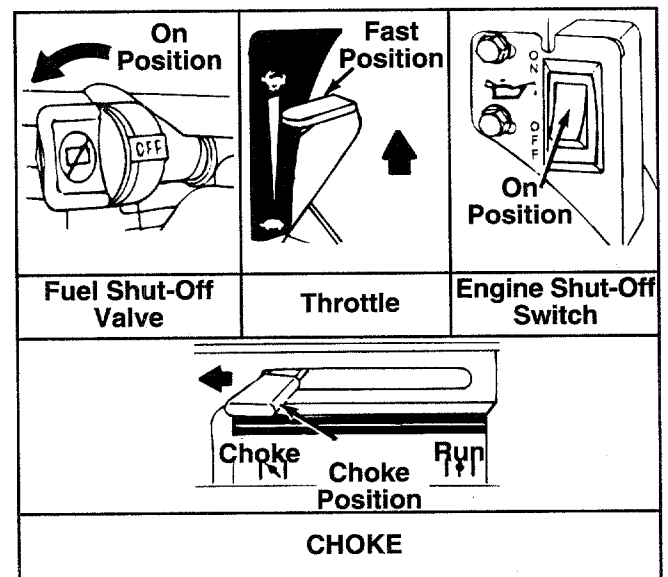


FIGURE 10.

TO STOP ENGINE

- Move throttle control lever to SLOW position.
- Move engine shut-off switch to OFF position. See figure 10.
- Disconnect spark plug wire and move away from spark plug to prevent accidental starting while equipment is unattended.
- Close fuel shut-off valve when equipment is not in use to prevent fuel leakage.

CUSTOMER RESPONSIBILITIES

MAINTENANCE SCHEDULE FILL IN DATES AS YOU COMPLETE REGULAR SERVICE		BEFORE EACH USE	AFTER EACH USE	FIRST FIVE HOURS	EVERY 25 HOURS	EVERY 50 HOURS	BEFORE STORAGE	SERVICE DATES						
PRODUCT	Oil Pivot Points					√								
	Clean Air Sweeper		√				√							
ENGINE	Check Engine Oil	√												
	Change Engine Oil			√	√									
	Service Air Cleaner				√									
	Clean Engine Cylinder				√		√							
	Spark Plug				√		√							
	Muffler					√								

√ CHECK

GENERAL RECOMMENDATIONS



WARNING: ALWAYS STOP THE ENGINE AND DISCONNECT THE SPARK PLUG WIRE BEFORE PERFORMING ANY MAINTENANCE OR ADJUSTMENTS.

- Periodically check all fasteners and be sure they are tight.
- Follow the Maintenance Schedule above.

AIR SWEEPER

LUBRICATION

- Lubricate the pivot points and the spring on the directional discharge at least once a season using a light oil.

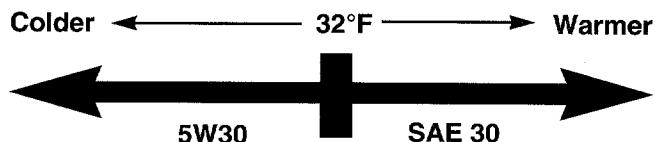
CLEANING

- The air sweeper may be cleaned by running water from a hose through the hopper assembly and chipper chute with the engine running. Allow the air sweeper to dry thoroughly.

ENGINE

ENGINE OIL

Only use high quality detergent oil rated with API service classification SF, SG or SH. Select the oil's viscosity grade according to your expected operating temperature.



NOTE: Although multi-viscosity oils (SAE30, 10W30, etc.) improve starting in cold weather, these multi-viscosity oils will result in increased oil consumption when used above 32°F. Check your oil level more frequently to avoid possible engine damage from running low on oil.

Your four-cycle engine will normally consume some oil—therefore, check engine oil level regularly approximately every five hours of operation and before each usage. Stop engine and wait several minutes before checking oil level. With engine level, the oil must be to FULL mark on dipstick (refer to figure 8). Change engine oil after the first five hours of operation, and every twenty-five hours thereafter.

To Drain Oil:

- Drain oil while engine is warm.
 - a. Remove oil drain plug. Refer to figure 7. Catch oil in a suitable container.
 - b. When engine is drained of all oil, replace drain plug securely.
- Refill with fresh oil. Refer to GAS AND OIL FILL-UP section.
- Replace dipstick.

AIR CLEANER

The air cleaner prevents damaging dirt, dust, etc., from entering the carburetor and being forced into the engine and is important to engine life and performance.

Never run your engine without air cleaner completely assembled.

To Service Air Cleaner:

Service pre-cleaner after every 25 hours of use, or at least once a season. Service cartridge every 100 hours of use, or at least once a season. Service pre-cleaner and cartridge more often under dusty conditions.

- Loosen air cleaner cover screws. Remove cover and air cleaner assembly from base. See figure 11.
- Remove air cleaner assembly from inside cover and disassemble.
- To service foam pre-cleaner: Remove pre-cleaner. Wash in liquid detergent and water. Squeeze dry in a clean cloth. Saturate in engine oil. Squeeze in a clean, absorbent cloth to remove all excess oil. If pre-cleaner is very dirty, replace it.
- To service cartridge: Clean by tapping gently on a flat surface. If very dirty, replace. Do not oil cartridge.

NOTE: Do not use petroleum solvents (e.g. kerosene) or pressurized air to clean cartridge. They will cause cartridge to deteriorate.

- Reassemble retainer on pre-cleaner and cartridge (screen side of pre-cleaner toward cartridge pleats). Place assembly into cover.
- Insert tabs on cover into slots in base and tighten cover screws securely.

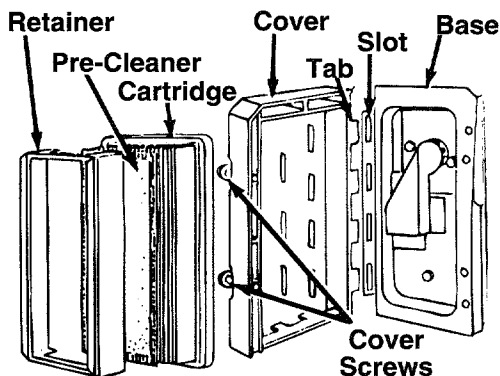


FIGURE 11.

CLEAN ENGINE

Clean engine periodically. Remove dirt and debris with a cloth or brush. Cleaning with a forceful spray of water is not recommended as water could contaminate the fuel system.

Yearly or every 25 hours, whichever occurs first, remove the blower housing and clean the areas shown in figure 12 to avoid overspeeding, overheating and engine damage. Clean more often if necessary.



WARNING: PERIODICALLY CLEAN MUFFLER AREA TO REMOVE ALL GRASS, DIRT AND COMBUSTIBLE DEBRIS.

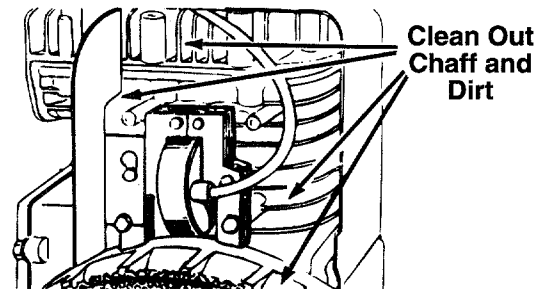


FIGURE 12.

SPARK PLUG

The spark plug should be cleaned and the gap reset to .030" at least once a season or every 50 hours of operation. See figure 13. Spark plug replacement is recommended at the start of each season. Refer to engine parts list for correct spark plug type.

NOTE: Do not sandblast spark plug. Spark plug should be cleaned by scraping or wire brushing and washing with a commercial solvent.

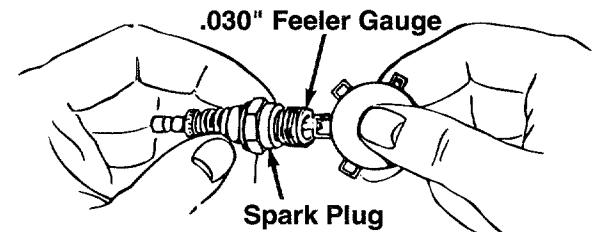


FIGURE 13.

MUFFLER

Do not operate the air sweeper without a muffler or tamper with the exhaust system. Damaged mufflers or spark arresters could create a fire hazard. Inspect periodically, and replace if necessary. If your engine is equipped with a spark arrester screen assembly, remove every 50 hours for cleaning and inspection. Replace if damaged.

STORAGE

Prepare your air sweeper for storage at the end of the season or if the unit will not be used for 30 days or more.



WARNING: NEVER STORE MACHINE WITH FUEL IN THE FUEL TANK INSIDE OF BUILDING WHERE FUMES MAY REACH AN OPEN FLAME OR SPARK, OR WHERE IGNITION SOURCES ARE PRESENT SUCH AS HOT WATER AND SPACE HEATERS, FURNACES, CLOTHES DRYERS, STOVES, ELECTRIC MOTORS, ETC.

NOTE: A yearly check-up by your local Sears Service Center is a good way to make certain your air sweeper will provide maximum performance for the next season.

AIR SWEEPER

- Clean the air sweeper thoroughly.
- Wipe unit with an oiled rag to prevent rust (use a light oil or silicone).

ENGINE

IMPORTANT: IT IS IMPORTANT TO PREVENT GUM DEPOSITS FROM FORMING IN ESSENTIAL FUEL SYSTEM PARTS SUCH AS CARBURETOR, FUEL FILTER, FUEL HOSE, OR TANK DURING STORAGE. ALSO, EXPERIENCE INDICATES THAT ALCOHOL BLENDED FUELS (CALLED GASOHOL OR USING ETHANOL OR METHANOL) CAN ATTRACT MOISTURE WHICH LEADS TO SEPARATION AND FORMATION OF ACIDS DURING STORAGE. ACIDIC GAS CAN DAMAGE THE FUEL SYSTEM OF AN ENGINE WHILE IN STORAGE.

- Drain the fuel tank.
- Start the engine and let it run until the fuel lines and carburetor are empty.
- Never use engine or carburetor cleaner products in the fuel tank or permanent damage may occur.
- Use fresh fuel next season.

NOTE: Fuel stabilizer is an acceptable alternative in minimizing the formation of fuel gum deposits during storage. Add stabilizer to gasoline in fuel tank or storage container. Always follow the mix ratio found on stabilizer container. Run engine at least 10 minutes after adding stabilizer to allow the stabilizer to reach the carburetor. Do not drain the gas tank and carburetor if using fuel stabilizer.

- Drain all the oil from the crankcase (this should be done after the engine has been operated and is still warm) and refill the crankcase with fresh oil.
- If you have drained the fuel tank, protect the inside of the engine as follows. Remove spark plug, pour approximately 1/2 ounce (approximately one tablespoon) of engine oil into cylinder and crank slowly to distribute oil. Replace spark plug.

OTHER

- Do not store gasoline from one season to another.
- Replace your gasoline can if your can starts to rust. Rust and/or dirt in your gasoline will cause problems.
- Store unit in a clean, dry area. Do not store next to corrosive materials, such as fertilizer.

NOTE: If storing in an unventilated or metal storage shed, be certain to rustproof the equipment by coating with a light oil or silicone.

SERVICE & ADJUSTMENT



WARNING: ALWAYS STOP ENGINE AND DISCONNECT SPARK PLUG WIRE AND MOVE IT AWAY FROM SPARK PLUG BEFORE PERFORMING ANY ADJUSTMENTS OR REPAIRS.

THROTTLE ADJUSTMENT

To adjust throttle control lever, loosen or tighten wing nut until throttle control lever moves with some resistance and still remains in desired position when engine is running. See figure 14.



FIGURE 14.

CARBURETOR ADJUSTMENT



WARNING: IF ANY ADJUSTMENTS ARE MADE TO THE ENGINE WHILE THE ENGINE IS RUNNING (E.G. CARBURETOR), KEEP CLEAR OF ALL MOVING PARTS. BE CAREFUL OF HEATED SURFACES AND MUFFLER.

Minor carburetor adjustment may be required to compensate for differences in fuel, temperature, altitude or load.

NOTE: A dirty air cleaner will cause engine to run rough. Be certain air cleaner is clean and attached to the carburetor before adjusting carburetor. Do not make unnecessary adjustments. Factory settings are satisfactory for most applications and conditions.

Never attempt to change maximum engine speed. It is pre-set at the factory and should be changed only by a qualified service technician who has the necessary equipment.

The carburetor may need re-adjusting if engine lacks power or does not idle properly. If adjustments are needed, proceed as follows.

- Close idle mixture valve (see figure 15) clockwise (↻) finger tight only. Forcing may cause damage. Then open 1-1/2 turns counterclockwise (↺).
- Start engine and allow to warm for five minutes.
- Move throttle control lever to IDLE position.
- Rotate throttle counterclockwise (↺) and hold against idle speed adjusting screw. Turn idle speed adjusting screw until engine is running at 1750 RPM.
- Turn idle mixture valve clockwise (↻) (lean mixture) until engine JUST starts to slow. Then turn it counterclockwise (↺) (rich mixture) until engine starts to run unevenly. Set at midpoint between rich and lean mixture.
- Recheck idle RPM and readjust if necessary.
- Move throttle control lever to FAST position. Engine should accelerate without hesitation or sputtering. If it does not, carburetor should be readjusted, usually to a slightly richer mixture.

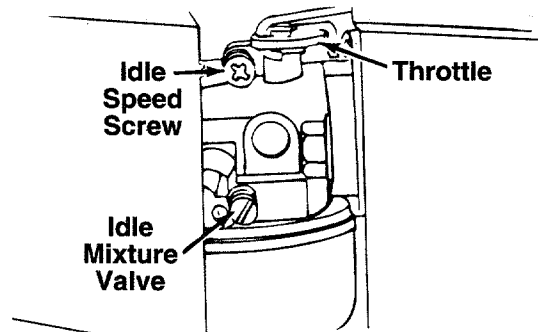


FIGURE 15.

ENGINE SPEED

Your engine speed has been factory set. Do not attempt to increase engine speed or it may result in personal injury. If you believe the engine is running too fast or too slow, take your air sweeper to the nearest SEARS Service Center for repair and adjustment.

TROUBLE SHOOTING

PROBLEM	POSSIBLE CAUSE(S)	CORRECTIVE ACTION
Engine fails to start	<ul style="list-style-type: none"> • Engine shut-off switch OFF. • Fuel shut-off valve closed. • Fuel tank empty, or stale fuel. • Spark plug wire disconnected. • Faulty spark plug. 	<ul style="list-style-type: none"> • Move switch to ON position. • Open fuel shut-off valve. • Fill tank with clean, fresh fuel. • Connect wire to spark plug. • Clean, adjust gap or replace.
Loss of power; operation erratic	<ul style="list-style-type: none"> • Spark plug wire loose. • Unit running on CHOKE. • Blocked fuel line or stale fuel. • Water or dirt in fuel system. • Carburetor out of adjustment. • Dirty air cleaner. 	<ul style="list-style-type: none"> • Connect and tighten spark plug wire. • Move choke lever to OFF position. • Clean fuel line; fill tank with clean fresh gasoline. • Disconnect fuel line at carburetor to drain fuel tank. Refill with fresh fuel. • Adjust carburetor or contact your SEARS Service Center. • Service air cleaner. See Customer Responsibilities section of this manual.
Engine overheats	<ul style="list-style-type: none"> • Carburetor not adjusted properly. • Engine oil level low. • Air flow restricted. 	<ul style="list-style-type: none"> • Contact your SEARS Service Center. • Fill crankcase with proper oil. • Remove blower housing and clean.
Too much vibration	<ul style="list-style-type: none"> • Loose parts or damaged crankshaft. 	<ul style="list-style-type: none"> • Stop engine immediately and disconnect spark plug wire. Tighten all bolts and nuts. Make all necessary repairs. If vibration continues, have unit serviced by a SEARS Service Center.
Unit does not discharge	<ul style="list-style-type: none"> • Directional discharge clogged. • Foreign object lodged in air vane plate assembly. 	<ul style="list-style-type: none"> • Stop engine immediately and disconnect spark plug wire. Clean discharge area and inside of blower housing. • Stop engine immediately and disconnect spark plug wire. Remove lodged object.

NOTE: For repairs beyond the minor adjustments listed above, please contact your nearest SEARS Service Center.

HOW TO ORDER REPLACEMENT PARTS

Each air sweeper has its own model number. Each engine has its own model number.

The model number for your air sweeper will be found on a label attached to the frame.

The model number for the engine will be found on the blower housing of the engine.

All parts listed herein may be ordered through Sears, Roebuck and Co. Service Centers and most Retail Stores.

WHEN ORDERING REPAIR PARTS, ALWAYS GIVE THE FOLLOWING INFORMATION:

***PRODUCT - "5 H.P. Air Sweeper"**

***MODEL NUMBER - 247.797900**

***ENGINE MODEL NO. - 133412-0059-01**

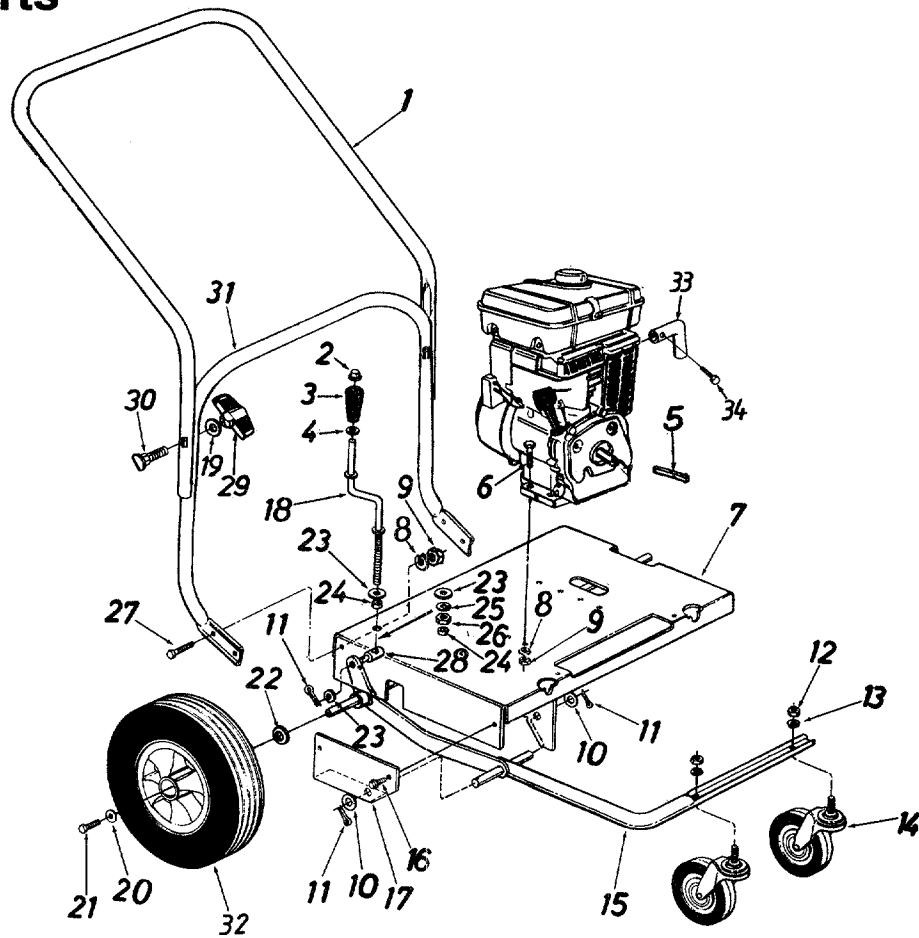
***PART NUMBER**

***PART DESCRIPTION**

Your Sears merchandise has added value when you consider that Sears has service units nationwide staffed with Sears trained technicians...professional technicians specifically trained on Sears products, having the parts, tools and the equipment to ensure that we meet our pledge to you..."we service what we sell."

SEARS CRAFTSMAN 5 H.P. AIR SWEEPER MODEL NO. 247.797900

Repair Parts



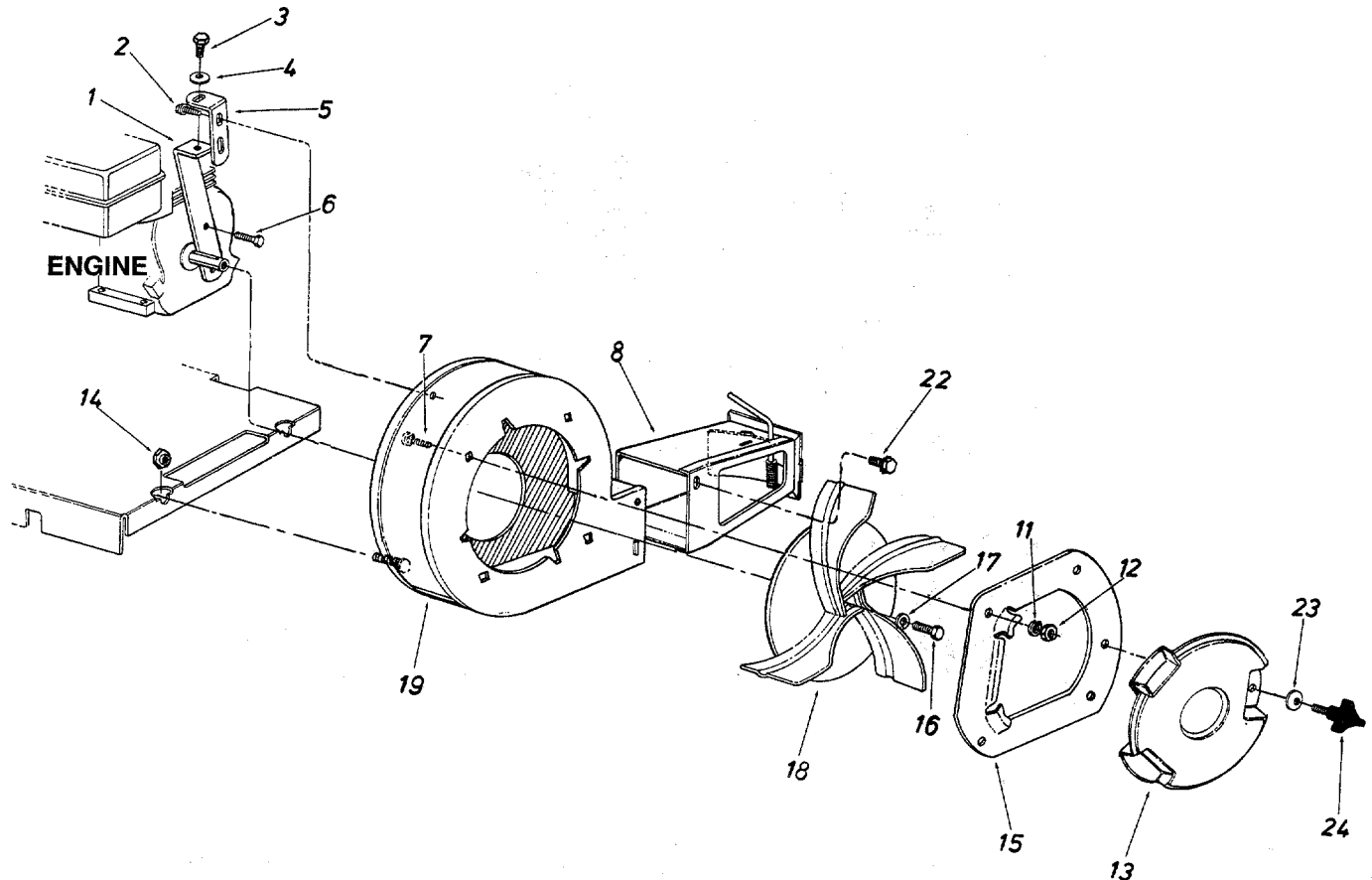
REF. NO.	PART NO.	DESCRIPTION	REF. NO.	PART NO.	DESCRIPTION
1	749-0784	Upper Handle	20	736-0159	FI-Wash. .34" I.D. x .87" O.D.
2	726-0100	Push Nut 3/8" Rod	21	710-0170	Hex Locking Bolt 5/16-24 x .64" Lg.
3	720-0171	Crank Knob	22	736-0162	FI-Wash.
4	736-0117	FI-Wash. .385" I.D. x .62"	23	736-0300	FI-Wash. .38" I.D. x .57"
5	133412-0059-01	Engine—B&S 133412-0059-01	24	750-0528	Spacer .382" I.D. x .50" x .180" Lg.
6	710-0442	Hex Bolt 5/16-18 x 1.50" Lg.*	25	736-0169	L-Wash. 3/8" I.D.*
7	16453	Engine Mounting Frame Ass'y.	26	712-0354	Hex Nut 3/8-8 Thd.
8	736-0119	L-Wash. 5/16" I.D.*	27	710-0118	Hex Bolt 5/16-18 x .75" Lg.*
9	712-0267	Hex Nut 5/16-18 Thd.*	28	711-0797	Ferrule
10	736-0187	FI-Wash. .63" I.D. x 1.25"	29	09966	Hand Knob
11	714-0115	Cotter Pin 1/8" Dia. x 1.0"	30	710-0487	Carriage Bolt 5/16-18 x 2.0"
12	712-0206	Hex Nut 1/2-13 Thd.*	31	749-0785	Lower Handle
13	736-0921	L-Wash. 1/2" I.D.*	32	734-1035	Wheel Ass'y. Comp. 12" x 3"
14	734-1036	Swivel Caster Wheel 5" Dia. x 1.25"	33	751-0596	Outlet Pipe
15	16273	Caster Arm Ass'y.	34	710-0227	Hex Wash. Hd. AB-Tap Scr. #8 x .5" Lg.
16	710-0726	Hex Wash. Hd. "AB" Tap Scr. 5/16" x .75" Lg.	—	770-8839L	Owner's Manual
17	14529	Caster Arm Bracket			
18	747-0542	Height Adjustment Crank			

*Common Hardware—May Be Purchased Locally.

NOTE: Specifications subject to change without notice or obligation.

SEARS CRAFTSMAN 5 H.P. AIR SWEEPER MODEL NO. 247.797900

Repair Parts



KEY NO.	PART NO.	DESCRIPTION	KEY NO.	PART NO.	DESCRIPTION
1	14539	Engine Housing Brace Ass'y.	14	711-0758	Hex Shoulder Nut .50" I.D.
2	710-0600	Hex Self-Tap Scr. 5/16" x .5"	15	14563	Nozzle Plate Ass'y.
3	710-0118	Hex Bolt 5/16-18 x .75" Lg.*	16	710-0191	Hex Bolt 3/8-24 x 1.25"
4	736-0119	L-Wash. 5/16" I.D.*	17	736-0217	L-Wash. 3/8" I.D.—H.D.
5	14541	Right Angle Bracket	18	681-0075	Air Vane Plate Ass'y.
6	710-0627	Hex Locking Bolt 5/16-24 x .75"	19	14496A	Blower Housing Ass'y.—Comp.
7	710-0260	Carriage Bolt 5/16-18 x .62"	22	710-0259	Hex Sems Bolt 5/16-18 x .62" Lg.*
8	14479	Directional Discharge Ass'y.	23	736-0242	Bell-Wash. .34" I.D. x .87" O.D.
11	736-0119	L-Wash. 5/16" I.D.*	24	720-0170	3-Arm Thumb Scr. 5/16-18 x .75" Lg.
12	712-0267	Hex Nut 5/16-18 Thd.*			
13	731-0608	Blower Guard			

*Common Hardware—May Be Purchased Locally.

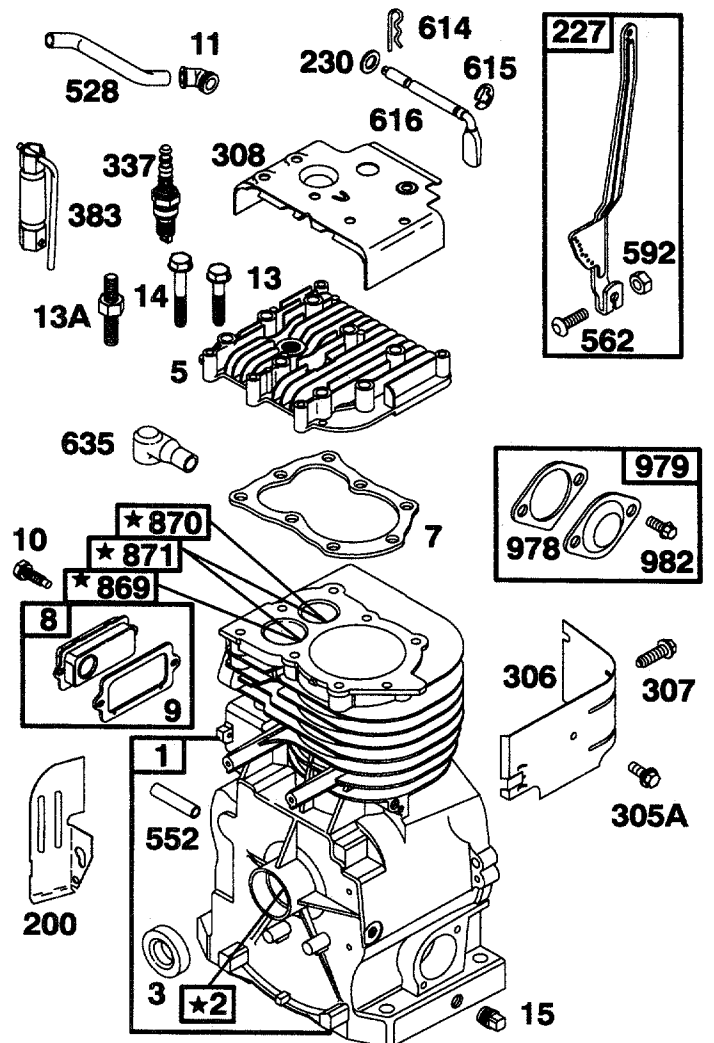
BRIGGS AND STRATTON 5 H.P. ENGINE MODEL NO. 133412-0059-01

Repair Parts

REF. NO.	PART NO.	DESCRIPTION
1	495133	Cylinder Assembly
2	399268	Bushing—Cylinder
3	*299819	Seal—Oil
5	214040	Head—Cylinder
7	*272157	Gasket—Cylinder Head
8	495774	Breather—Valve Chamber
9	*27549	Gasket—Valve Cover
10	94621	Screw—Breather Mtg.
11	66578	Grommet—Breather Tube
13	94221	Screw—Cylinder Head (2-5/16" Long)
13A	94167	Stud—Cylinder Head
14	94679	Screw—Cylinder Head (2-15/32" Long)
15	94387	Plug—Pipe, 1/4" Std., Square Head
200	223886	Guide—Air
227	494906	Lever Ass'y.—Governor
230	94742	Washer—Governor Lever
305A	94619	Screw—Hex Hd.
306	224820	Shield—Cylinder
307	94680	Screw—Cylinder Shield
308	224740	Cover—Cylinder Head
337	802592	Plug—Spark
383	89838	Wrench—Spark Plug
528	231818	Tube—Breather
552	231079	Bushing—Governor Crank
562	92613	Bolt—Governor Lever
592	231082	Nut—Hex
614	93306	Cotter—Pin
615	93307	Retainer—E-Ring
616	231077	Crank—Governor
635	66538	Elbow—Spark Plug
869	211787	Seat—Intake Valve
870	211436	Seat—Exhaust Valve (Cobalite®)
871	262001	Guide—Exhaust Valve Note: 63709 Guide—Intake Valve.
978	*271736	Gasket—Cover
979	494807	Cover—Oil Gard®
982	94658	Screw—Oil Gard® Cover
1019	495861	Label Kit

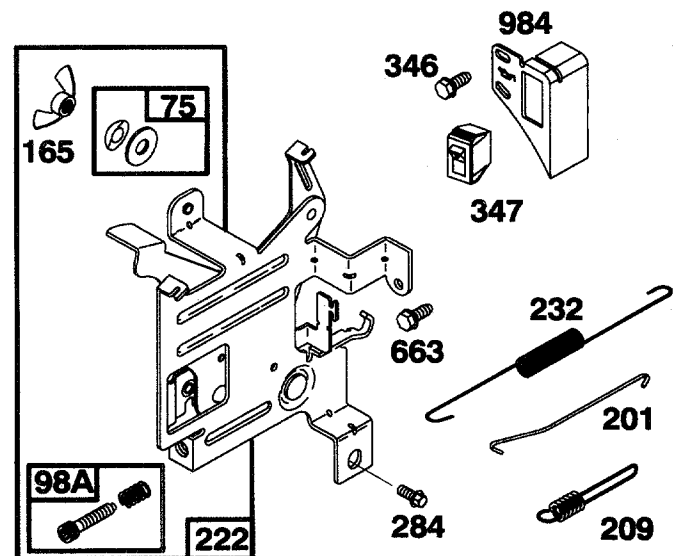
REF. NO.	PART NO.	DESCRIPTION
75	495659	Washer Kit
98A	493280	Screw Ass'y.—Speed Adj.
165	94692	Nut—Wing
201	262865	Link—Governor
209	262283	Spring—Governor
222	494899	Plate—Gov. Control
232	260585	Spring—Link
284	94620	Screw—Hex Hd.
346	93705	Screw—Sem
347	493521	Switch—Rocker
663	93343	Screw—Sem
984	224746	Bracket—Indicator Light

* Included in Gasket Set—Part No. 495661.



1019 LABEL KIT

***REQUIRES SPECIAL TOOLS TO INSTALL. SEE REPAIR INSTRUCTION MANUAL.**



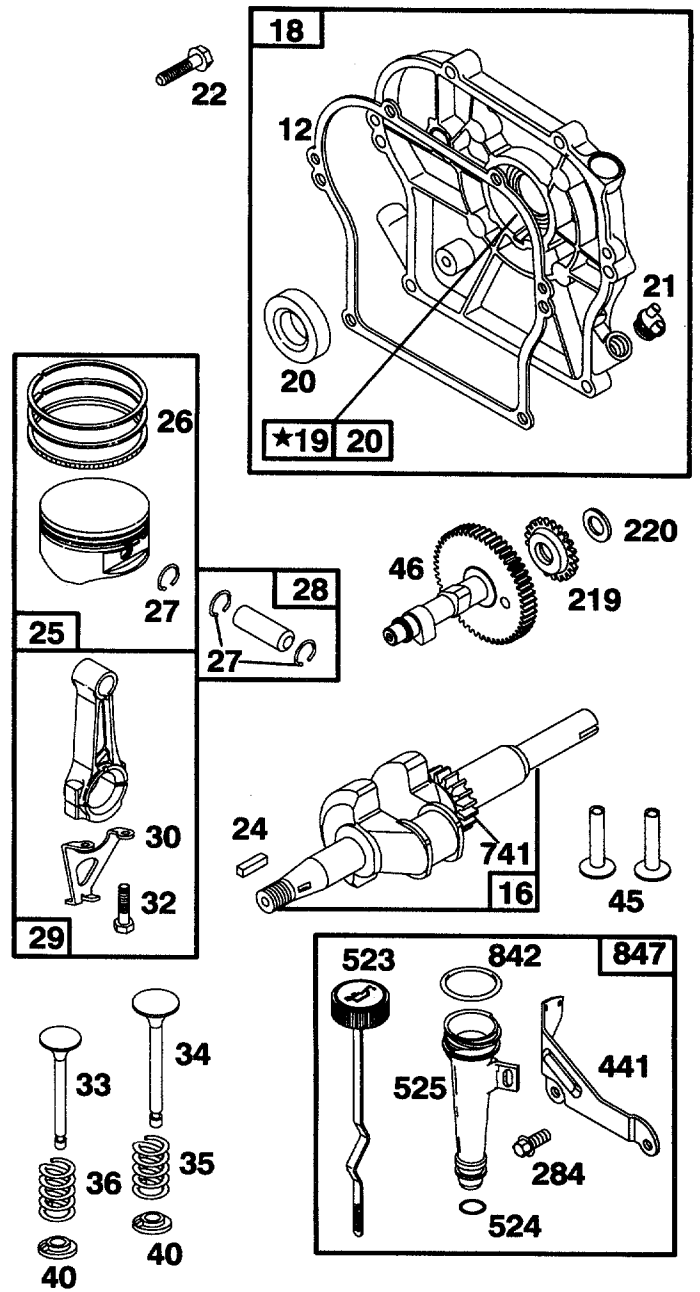
Assemblies include all parts shown in frames.

BRIGGS AND STRATTON 5 H.P. ENGINE MODEL NO. 133412-0059-01

Repair Parts

REF. NO.	PART NO.	DESCRIPTION
12	*270080	Gasket—Crankcase (.015" Thick, Std.)
	*270125	Gasket—Crkcase. (.005" Thick)
	*270126	Gasket—Crkcase. (.009" Thick)
16	495845	Crankshaft
		Note: To Replace Crankshaft Gear Pin—Order Part No. 230978.
18	493916	Cover Ass'y.—Crankcase
19	495660	Bushing—Crankcase Cover
20	495307	Seal—Oil
21	66768	Plug—Oil Filler
22	94682	Screw—Crankcase Cover Mounting Sem
24	222698	Key—Flywheel
25	393819	Piston Ass'y. (Std.)
	393820	Piston Ass'y. (.010" O.S.)
	393821	Piston Ass'y. (.020" O.S.)
	393822	Piston Ass'y. (.030" O.S.)
26	399067	Ring Set—Piston (Std.)
	399014	Ring Set—Piston (.010" O.S.)
	399015	Ring Set—Piston (.020" O.S.)
	399016	Ring Set—Piston (.030" O.S.)
27	26026	Lock—Piston Pin
28	298909	Pin Ass'y.—Piston (Std.)
	298908	Pin Ass'y.—Piston (.005" O.S.)
29	299430	Rod Ass'y.—Connecting
	390459	Rod Ass'y.—Connecting (.020" Undersize Crankpin Bore)
30	221890	Dipper—Conn. Rod
32	94745	Screw—Conn. Rod
33	211119	Valve—Exhaust
34	261044	Valve—Intake
35	260552	Spring—Intake Valve
36	26478	Spring—Exhaust Valve
40	93312	Retainer—Spring
45	260642	Tappet—Valve
46	212733	Gear—Cam
219	494845	Gear—Governor
220	221551	Washer—Thrust
284	94620	Screw—Hex Hd.
441	224240	Bracket—Oil Fill
523	494416	Dipstick and Cap Ass'y.
524	*271485	Seal—Oil Fill
525	280578	Tube—Oil Fill
741	261696	Gear—Timing
842	*270920	Seal—Oil Fill Cap
847	494417	Tube Ass'y.—High Oil Fill

* Included in Gasket Set—Part No. 495661.



***REQUIRES SPECIAL TOOLS TO INSTALL. SEE REPAIR INSTRUCTION MANUAL.**

Assemblies include all parts shown in frames.

BRIGGS AND STRATTON 5 H.P. ENGINE MODEL NO. 133412-0059-01

Repair Parts

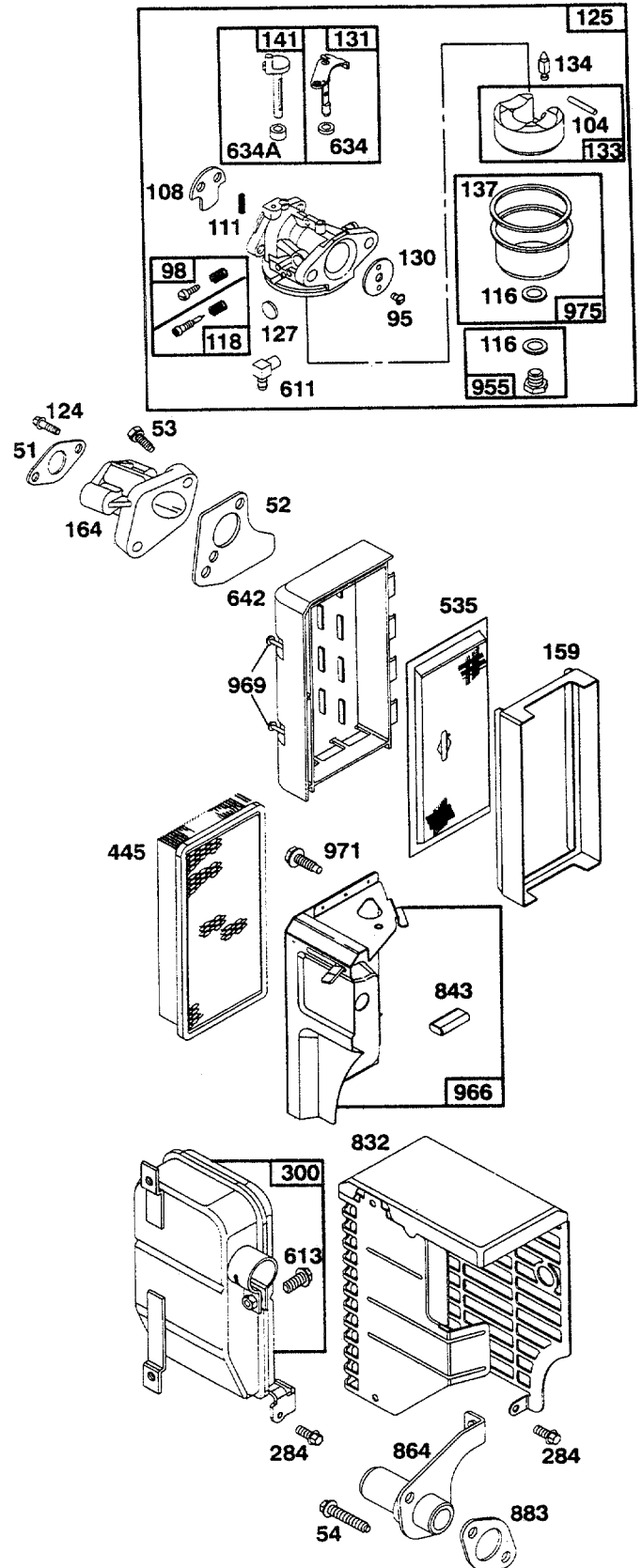
REF. NO.	PART NO.	DESCRIPTION
51	*272295	Gasket—Carburetor Mtg.
52	*272585	Gasket—Intake Port
53	94706	Screw—Adapter Mtg.
95	94098	Screw—Round Head
98	398185	Screw—Idle Adjusting
104	•	Pin—Hinge (Sold in Kit Only)
108	224783	Valve—Choke
111	262820	Spring—Lever
116	•Δ	Gasket—Sealing (Sold in Kit Only)
118	•493765	Valve and Spring—Needle
124	94681	Screw—Hex Washer Head
125	495652	Carburetor Assembly
127	•	Plug—Welch
130	223470	Valve—Throttle
131	493556	Shaft and Lever—Throttle
133	398187	Float Assembly—Carburetor
134	•398188	Valve—Inlet (Includes Seat)
137	•	Gasket—Bowl (Sold in Kit Only)
141	495651	Shaft—Choke
164	281247	Manifold—Intake
611	494451	Elbow—Fuel Pipe
634	•Δ	Seal—Shaft (Sold in Kit Only)
634A	•Δ	Seal—Choke Shaft (Sold in Kit Only)
955	495650	Screw—Fuel Bowl
975	493640	Bowl Assembly—Carburetor

REF. NO.	PART NO.	DESCRIPTION
159	280871	Support—Filter
445	494511	Filter—Air Cleaner
535	495246	Element—Air Cleaner
642	281188	Cover—Air Cleaner
843	280149	Sleeve—Lever
966	494902	Base—Air Cleaner
969	94120	Screw—Hex Head
971	94727	Screw—Hex Head

Included in Gasket Set—Part No. 495661.
 Included in Carburetor Overhaul Kit—Part No. 493762.
 Included in Carburetor Gasket Set—Part No. 490937.

REF. NO.	PART NO.	DESCRIPTION
54	94705	Screw—Hex Head
284	94620	Screw—Hex Hd.
300	494562	Muffler—Exhaust
613	94729	Screw—Sem
832	494903	Guard—Muffler
864	494904	Flange—Muffler
883	*272309	Gasket—Exhaust

Muffler Spark Arrester Kit
 Part No. 494905 (Optional Equipment)



Assemblies include all parts shown in frames.

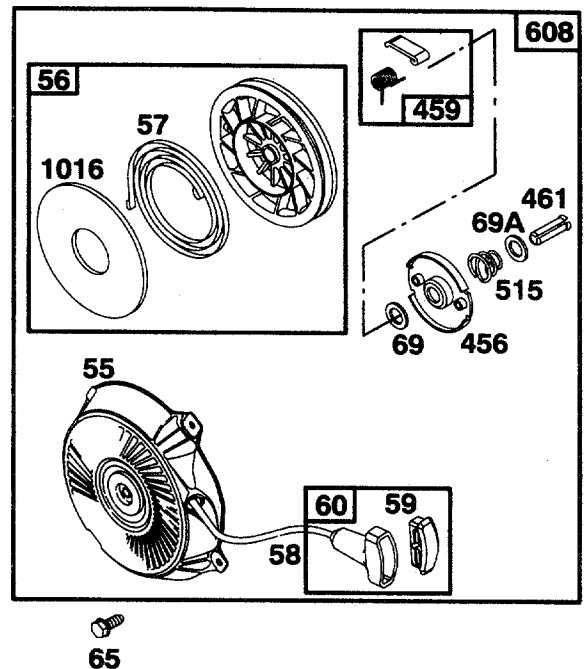
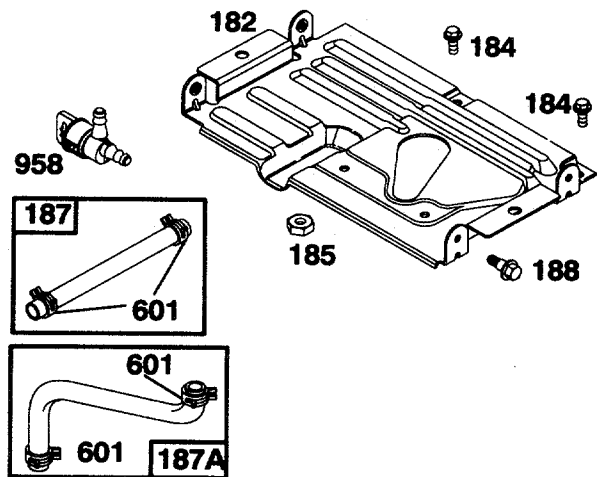
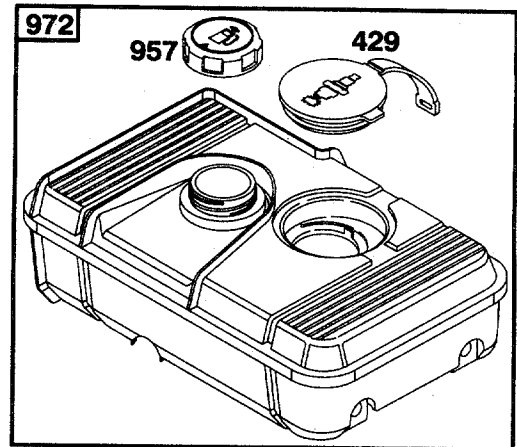
BRIGGS AND STRATTON 5 H.P. ENGINE MODEL NO. 133412-0059-01

Repair Parts

REF. NO.	PART NO.	DESCRIPTION
182	224709	Bracket—Fuel Tank
184	93559	Screw—Hex Hd.
185	94010	Nut—Hex
187	393815	Line—Fuel (11" Long, Cut to Suit)
187A	495218	Pipe—Fuel (Molded)
188	94357	Screw—Hex Head
429	281190	Cover—Spark Plug
601	93053	Clamp—Fuel Pipe (Green) Note: 93807 Clamp—Fuel Pipe (Black)
957	493988	Cap—Fuel Tank
958	494539	Valve Ass'y.—Fuel Shut-Off
972	495345	Tank Ass'y.—Fuel

* Included in Gasket Set—Part No. 495661.

REF. NO.	PART NO.	DESCRIPTION
55	494846	Housing—Rewind Starter
56	493824	Pulley—Rewind Starter
57	262594	Spring—Rewind Starter
58	280406	Rope—Rewind Starter (Cut to Required Length)
59	396892	Insert—Starter Handle
60	393152	Handle—Rewind Starter
65	94686	Screw—Starter Mtg.
69	280973	Washer—Rewind Starter
69A	224322	Washer—Rewind Starter
456	224321	Retainer—Rewind Starter
459	492833	Pawl—Starter
461	262626	Pin—Starter
515	262625	Spring—Torsion
608	494782	Starter Ass'y.—Rewind
1016	224278	Cover—Rewind Starter

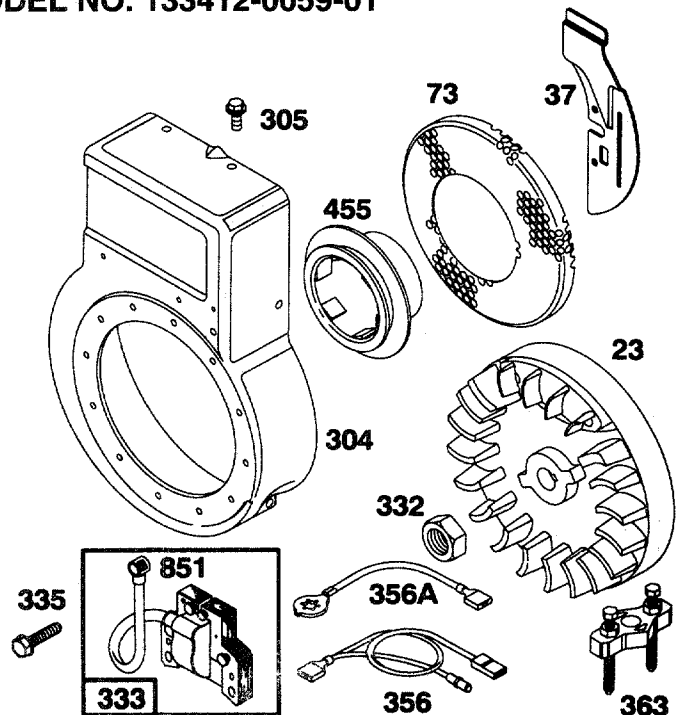


Assemblies include all parts shown in frames.

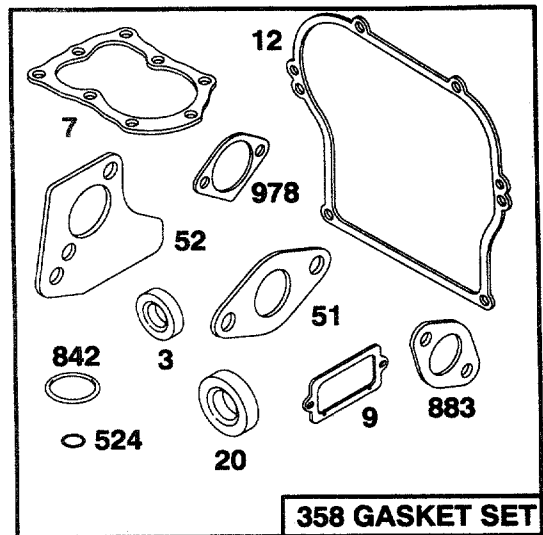
BRIGGS AND STRATTON 5 H.P. ENGINE MODEL NO. 133412-0059-01

Repair Parts

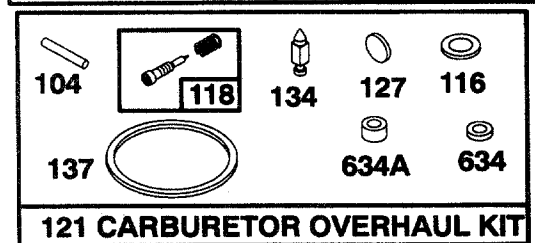
REF. NO.	PART NO.	DESCRIPTION
23	297229	Flywheel—Magneto
37	222443	Guard—Flywheel
73	224633	Screen—Rotating
304	494790	Housing—Blower (Red)
305	94619	Screw—Blower Housing Mounting
332	92284	Nut—Flywheel
333	397358	Armature Group
335	93414	Screw—Armature Mounting Sem
356	495135	Wire Assembly (Armature to Switch)
356A	495118	Wire Assembly (Stop Switch to Ground)
363	19069	Puller—Flywheel
455	494770	Hub—Starter
851	221798	Cable Terminal—Ignition



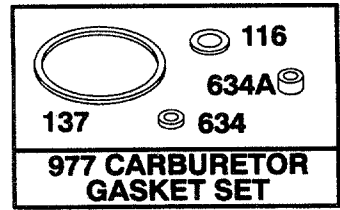
REF. NO.	PART NO.	DESCRIPTION
3	*299819	Seal—Oil
7	*272157	Gasket—Cylinder Head
9	*27549	Gasket—Valve Cover
12	*270080	Gasket—Crankcase (.015" Thick, Standard)
	*270125	Gasket—Crankcase (.005" Thick)
	*270126	Gasket—Crankcase (.009" Thick)
20	*495307	Seal—Oil
51	*272295	Gasket—Carburetor Mtg.
52	*272585	Gasket—Intake Port
104	•	Pin—Hinge (Sold in Kit Only)
116	•Δ	Gasket—Sealing (Sold in Kit Only)
118	•493765	Valve and Spring—Needle
121	493762	Carburetor Overhaul Kit
127	•	Plug—Welch
134	•398188	Valve—Inlet (Includes Seat)
137	•	Gasket—Bowl (Sold in Kit Only)
358	495661	Gasket Set
524	*271485	Seal—Oil Fill
634	•Δ	Seal—Shaft (Sold in Kit Only).
634A	•Δ	Seal—Choke Shaft (Sold in Kit Only)
842	*270920	Seal—Oil Fill Cap
883	*272309	Gasket—Exhaust
977	490937	Gasket Set—Carburetor
978	*271736	Gasket—Cover



358 GASKET SET



121 CARBURETOR OVERHAUL KIT



977 CARBURETOR GASKET SET

Included in Gasket Set—Part No. 495661.
 Included in Carburetor Overhaul Kit—Part No. 493762.
 Included in Carburetor Gasket Set—Part No. 490937.

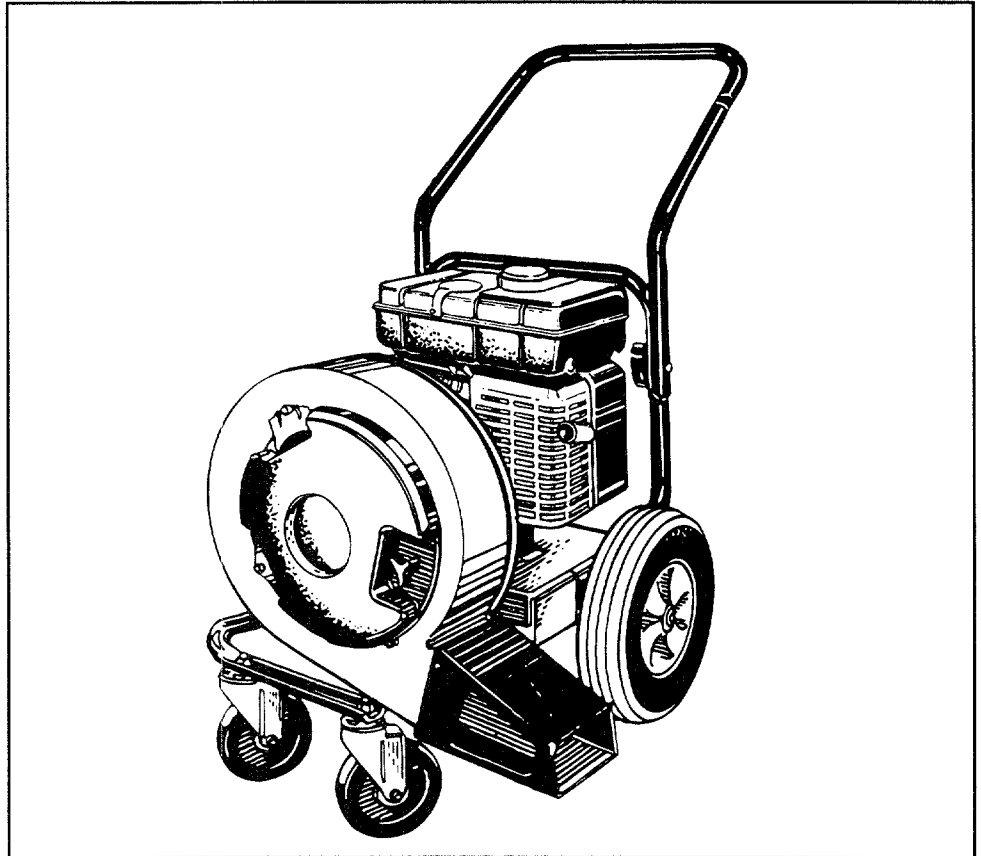
Assemblies include all parts shown in frames.

SEARS

**MANUAL DEL
PROPIETARIO**

**NUMERO DEL
MODELO
247.797900**

**Precaución:
Lea y observe
todas las reglas
e instrucciones
de seguridad antes
de operar este
equipo**



CRAFTSMAN®

**5.0 CABALLOS DE FUERZA
BARREDOR DE AIRE**

**Armado
Operación
Responsabilidades del Cliente
Servicio y Ajuste
Piezas de Reparación**


SEARS, ROEBUCK AND CO., Chicago, IL 60684 U.S.A.

770-8839L 8/95

IMPORTANTE

NORMAS DE SEGURIDAD



ESTE SIMBOLO INDICA INSTRUCCIONES IMPORTANTES PARA SU SEGURIDAD. DEBEN SEGUIRSE RIGUROSAMENTE PARA EVITAR PELIGROS PARA EL OPERADOR Y OTROS. LEA LAS SIGUIENTES INSTRUCCIONES DE ESTE MANUAL ANTES DE INSTALAR EL EQUIPO DE ILUMINACION. FALTA DE OBEDECER ESTAS INSTRUCCIONES PUEDE RESULTAR EN DAÑO PERSONAL. CUANDO VEA ESTE SIMBOLO  PRESTE ATENCION A SU ADVERTENCIA.



PELIGRO: Su barredor de aire fue diseñado para operar según las reglas de seguridad de este manual. Al igual que con cualquier máquina, falta de cuidado o error por parte del operador puede resultar en lesiones serias. Esta unidad puede cortar los dedos y las manos y arrojar objetos.

I. OPERACION

1. Lea este manual del propietario antes de tratar de ensamblar esta máquina. Lea, comprenda y siga todas las instrucciones de la máquina y del manual antes de la operación. Es necesario familiarizarse con los controles y el uso correcto de la máquina antes de ponerla en funcionamiento. Mantenga este manual en un lugar seguro para poder consultarlo como sea necesario y para hacer el pedido de repuestos.
2. Su barredor de aire es una herramienta muy potente, no un juguete. Por lo tanto, es sumamente importante manejarlo siempre con mucha precaución. Su unidad ha sido diseñada para cumplir con solo la función de soplar hojas. No la utilice para ninguna otra función.
3. No permita que los niños menores de 14 años utilicen la máquina. Niños mayores de 14 años deben operarla solamente bajo la supervisión de un adulto. Solamente personas responsables que saben estas reglas de seguridad deben usar su unidad.
4. Mantenga el área de operaciones libre de personas, sobretodo niños pequeños y animales domésticos. Apague el motor cuando se encuentren cerca de la unidad.
5. Utilice siempre anteojos de seguridad durante la operación y siempre que efectúe un ajuste o reparación, para proteger los ojos de objetos y escombros que pueden ser arrojados por la máquina.
6. Vista con ropa ajustada. Se recomiendan pantalones y camisas que cubran los brazos y las piernas. No use ropa suelta ni alhajas y lleve el cabello bien atado más arriba de los hombros, porque de lo contrario pueden ser cogidos por piezas en movimiento.
7. No opere esta unidad bajo la influencia del alcohol o drogas.
8. Nunca coloque sus manos o cualquier parte del cuerpo o ropa cerca de piezas en movimiento. Manténgase siempre lejos de la abertura de expulsión. Nunca meta sus manos, dedos, pies o cualquier otra parte del cuerpo o ropa en las aberturas de expulsión o de toma de aire ya que la impulsor giratorio dentro de la caja puede causar serias lesiones.
9. Nunca opere la unidad sin una pieza de descarga direccional y un protector de impulsor plástico adecuadamente fijado a la unidad. Estos aparatos protegen al operador del contacto accidental con el impulsor giratorio.
10. Mantenga todos los resguardos y aparatos de seguridad en su lugar y funcionando de manera adecuada.
11. Tenga mucho cuidado al operar el soplador. No permita que el descargador este apuntando en dirección a personas o animales domésticos.
12. Si su máquina empieza a hacer ruidos o una vibración extraña, inmediatamente apague el motor, desconecte el cable de bujía y muévelo lejos de la bujía. Permita que la máquina pare completamente y siga los siguientes pasos:
 - Inspeccione para ver si hay daños.
 - Repare o reemplace cualquier pieza dañada.
 - Revise que no hayan piezas sueltas y si las hay apriételas para asegurar una operación segura.
13. El silenciador y el motor se calientan mucho y pueden causar una quemadura. No toque.
14. No permita que se acumulen hojas u otros objetos en el silenciador del motor. Los escombros pueden prenderse y causar un incendio.
15. No opere el motor si el depurador de aire o la cobertura sobre el toma de aire del carburador esta quitada, excepto para hacer ajustes. La remoción de tales piezas puede crear un peligro de incendio.

16. Use solamente accesorios aprobados por el fabricante para esta máquina. Lea, comprenda y siga todas las instrucciones suministradas con el accesorio aprobado.
17. Opere la unidad solamente en buena luz del día. No la use durante la noche o en áreas oscuras donde su visión no es adecuada.
18. Si ocurren situaciones que no están mencionadas en este manual, tenga mucho cuidado y use su sentido común. Llame a su distribuidor para recibir asistencia.

II. NIÑOS

Accidentes trágicos pueden suceder si el operador no está alerta a la presencia de niños pequeños. Los niños a menudo son atraídos por el soplado. Nunca suponga que los niños permanecerán en el mismo sitio donde Ud. los vio hace poco.

1. Mantenga a los niños lejos del área de trabajo y bajo la supervisión de un adulto además del operador de la máquina.
2. Este alerta y apague la unidad si algún niño se acerca al área.
3. Nunca permita que niños menores de 14 años utilicen el barredor.

III. MANTENIMIENTO

1. Tenga mucho cuidado con la gasolina y otros tipos de combustibles. Son extremadamente inflamables y los gases son explosivos.
 - a. Almacene el combustible y el aceite en contenedores adecuados, lejos de fuentes de calor, llamas y lejos del alcance de los niños.
 - b. Revise y añada el combustible necesario antes de encender el motor. Nunca quite el tapón del tanque o añada combustible mientras de que la máquina se encuentre en funcionamiento. Permita que enfríe el motor por lo menos por dos minutos antes de llenar el tanque.
 - c. Vuelva a colocar el tapón del tanque de gasolina y limpie los residuos de gasolina antes de encender de nuevo el motor ya que puede causar fuego o una explosión.
 - d. Apague todos los cigarrillos, puros, pipas y otras fuentes de ignición.
 - e. Nunca llene el tanque bajo techo porque los gases inflamables se acumularán en el área.
 - f. Nunca almacene la máquina o el contenedor de combustible bajo techo donde haya fuego o chispas tales como un calentador de agua caliente (de gas), una secadora u horno.
2. Nunca use su máquina en un lugar cerrado ya que el escape del motor contiene monóxido de carbono, el cual es un gas venenoso mortal sin olor ni sabor.
3. Para reducir el peligro de incendio, mantenga el motor y el silenciador limpio, sin hojas, zacate u otros tipos de residuos. Limpie los derrames de combustible y de aceite. Permita que la unidad enfríe por lo menos por cinco minutos antes de almacenarla.
4. Antes de limpiar, reparar o inspeccionar la máquina, asegúrese de que el impulsor y todas las piezas móviles se hayan detenido. Desconecte el cable de bujía y muévelo lejos de la bujía para evitar el arranque accidental. No utilice soluciones inflamables para limpiar el filtro de aire.
5. Mantenga bien apretados todas las tuercas, tornillos y pernos para asegurar que el equipo se encuentre en buena condición de operación.
6. Nunca cambie o altere los aparatos de seguridad. Revise el funcionamiento adecuado regularmente.
7. No cambie ni altere la programación del regulador del motor. El regulador controla la velocidad máxima de operación segura del motor. Un aumento de velocidad es peligroso y causará daños al motor y a otras piezas en movimiento de la máquina.



Manual del Propietario

Etiqueta de Seguridad



ADVERTENCIA — SU RESPONSABILIDAD

Limite el uso de esta unidad a personas que leen, comprenden y siguen las advertencias e instrucciones de este manual y de la máquina.

FELICIDADES por la compra de su barredor de aire Craftsman de Sears. Ha sido diseñado, mecanizado y fabricado para darle la mejor seguridad y rendimiento.

Si usted tiene algún problema que no puede resolver fácilmente, por favor envíe el barredor de aire a Centro/Departamento de Reparaciones de Sears en los Estados Unidos. Contamos con personal competente y las herramientas adecuadas para dar mantenimiento y reparar la unidad.

Por favor lea y mantenga este manual. Estas instrucciones le permitirán ensamblar y mantener su barredor de aire adecuadamente. Siempre preste atención a las "NORMAS DE SEGURIDAD."

NUMERO DEL MODELO **247.797900**

NUMERO DE SERIE _____

FECHA DE COMPRA _____

EL MODELO Y EL NUMERO DE SERIE SE ENCUENTRAN EN UN ROTULO PEGADO A LA ARMAZON.

USTED DEBE TOMAR EL NUMERO DE SERIE Y LA FECHA DE COMPRA Y MANTENER LA INFORMACION EN LUGAR SEGURO PARA FUTURA REFERENCIA.

RESPONSABILIDADES DEL PROPIETARIO

- Lea y observe las notas de seguridad.
- Siga un horario regular de mantenimiento, cuidado y uso de su barredor de aire.
- Siga las instrucciones que se encuentran en las secciones "Responsabilidades del Cliente" y "Almacenaje" en el Manual del Propietario.

ESPECIFICACIONES DEL PRODUCTO

Caballos de Fuerza	5.0
Desplazamiento	12.57" cúbico
Capacidad de Combustible	1 Galón (sin plomo)
Aceite de Motor API Clasificación SF, SG o SH	SAE 30 20 onzas
Bujía (Espacio .030")	Champion J19LM (o Equivalente)
Tapa de Aire de Encendido Magneton	.0125"

ADVERTENCIA: Esta unidad está equipada con un motor interno de combustión y no se debe usar en ningún o cerca a un terreno forestal, con arbustos o con césped al menos que el sistema de escape del motor tenga un amortiguador de chispas que cumpla con las normas locales o del estado (si existen). Si se usa un amortiguador de chispas, el operador lo debe mantener en buena condición de operación.

En el Estado de California lo antes mencionado es requerido por la ley (Sección 4442 del Código de Recursos Públicos de California). Otros estados puede que tengan leyes similares. Las normas federales aplican a los terrenos federales. Un amortiguador de chispas para la silenciador es disponible en el Centro de Servicio Autorizado de Sears. (Véase sección REPUESTOS de este manual.)

CONTRATO DE MANTENIMIENTO

Un Contrato de Mantenimiento de Sears es disponible en este producto. Llame a su tienda Sears más cercana para más información.

GARANTIA POR UN AÑO COMPLETO EN EL BARREDOR DE AIRE CRAFTSMAN

Garantía por un año a partir de la fecha de compra, siempre que este barredor de aire se mantenga en buen estado, se lubrique y se afine de acuerdo con las instrucciones de mantenimiento del manual del operador. Sears reparará sin costo alguno cualquier defecto del material o de elaboración.

Esta garantía excluye la bujía y el depurador, las cuales son piezas de duración limitada y se desgastan con el uso normal.

Si este barredor de aire se usa para razones comerciales o para el alquiler, esta garantía aplica sólo por 30 días a partir de la fecha de compra.

LA GARANTIA ESTA DISPONIBLE A TRAVES DE SU CENTRO DE SERVICIO SEARS MAS CERCANO EN LOS ESTADOS UNIDOS. ESTA GARANTIA APLICA SOLAMENTE MIENTRAS ESTE PRODUCTO ESTE EN USO DENTRO DE LOS ESTADOS UNIDOS.

Esta garantía le proporciona derechos legales específicos y es posible que usted tenga otros derechos que varían de estado a estado.

SEARS ROEBUCK AND CO., SEPT. 817WA, HOFFMAN ESTATES, IL 60179

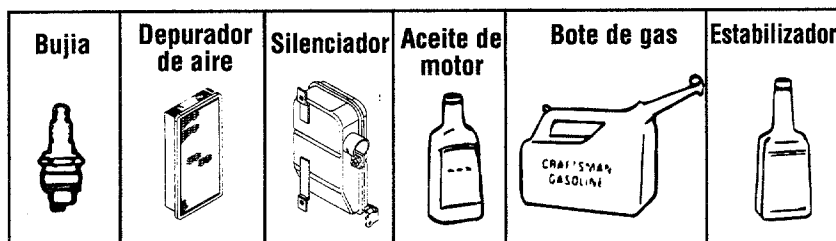
TABLA DE MATERIAS

REGLAS DE SEGURIDAD2, 3	ARMADO5, 6
ESPECIFICACIONES DEL PRODUCTO4	OPERACION7-9
ACUERDO DE MANTENIMIENTO4	RESPONSABILIDADES DEL PROPIETARIO ...10, 11
RESPONSABILIDADES DEL PROPIETARIO4, 10, 11	ALMACENAJE12
GARANTIA4	MANTENIMIENTO Y AJUSTES12, 13
ACCESORIOS4	GUIA PARA RESOLUCION DE PROBLEMAS18
	PIEZAS DE REPUESTO19

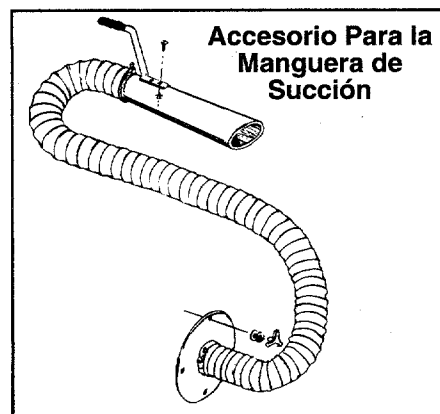
ACCESORIOS DEL BARREDOR DE AIRE

Estos accesorios eran disponibles cuando se adquirió el barredor de aire. También se pueden adquirir en la mayoría de los almacenes de venta y centros de servicio. La mayoría de las tiendas Sears pueden pedir los repuestos para usted, una vez que usted proporcione el número del modelo de su barredor de aire.

MOTOR



BARREDOR DE AIRE



INSTRUCCIONES DE ARMADO

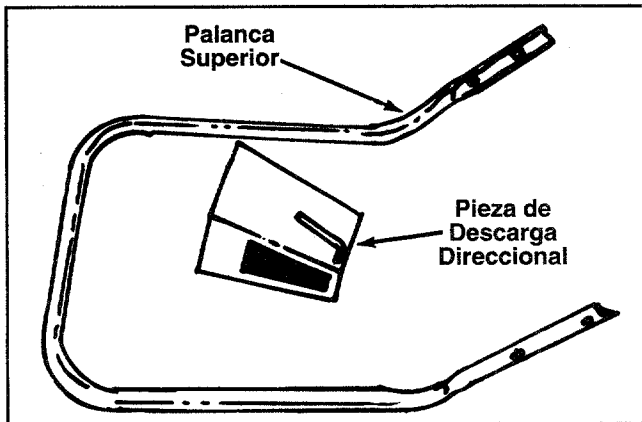


FIGURA 1.

IMPORTANTE: Esta unidad es enviada SIN GASOLINA O ACEITE. Después de ensamblarla, vea la sección de operación de este manual para seguir las recomendaciones adecuadas de aceite y combustible.

NOTA: Para determinar cuál es el lado derecho y el izquierdo de su barredor, colóquese detrás de la palanca en la posición de operación.

DESEMPAQUE

Su barredor, ha sido completamente ensamblado en la fábrica excepto por la palanca superior y la pieza de descarga direccional. Véase figura 1. La bolsa con los herrajes también está incluida en el cartón. El paquete de el herraje contiene las piezas que se demuestran en la figura 2.

- Quite la grapas o rompa la goma en las tapas del cartón.
- Corte el cartón a lo largo de cada esquina y déjelo caer al suelo. Saque el barredor del cartón.
- Asegúrese de que todas las piezas y la información adjunta haya sido removida antes de botar el cartón.

HERRAMIENTAS REQUERIDAS PARA EL ENSAMBLAJE

- (1) Una llave de tuerca ajustable de 1/2"

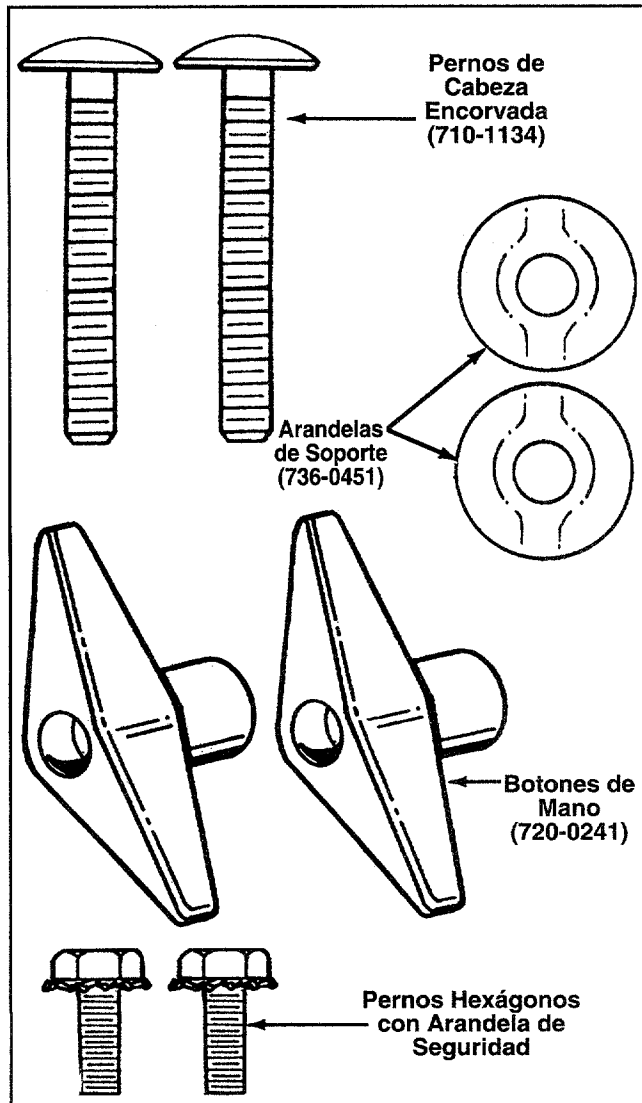


FIGURA 2.

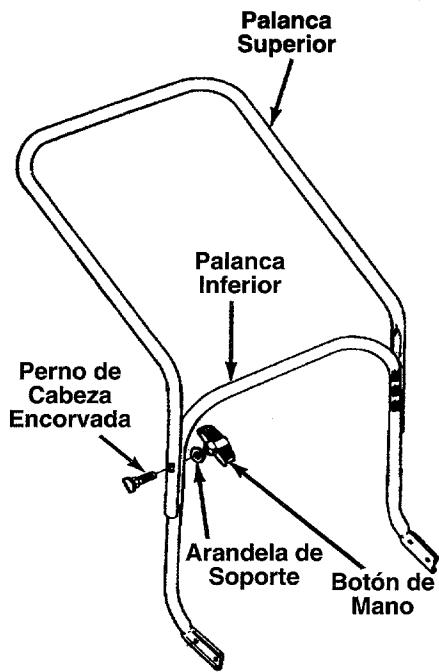


FIGURA 3.

COMO MONTAR SU BARREDOR DE AIRE

FIJACION DE LA PALANCA SUPERIOR

Coloque la palanca superior sobre la palanca inferior, alineando los agujeros de la palanca superior con los de la inferior. Fije con pernos de cabeza encorvada, con arandelas de soporte y botones de mano. Véase figura 3.

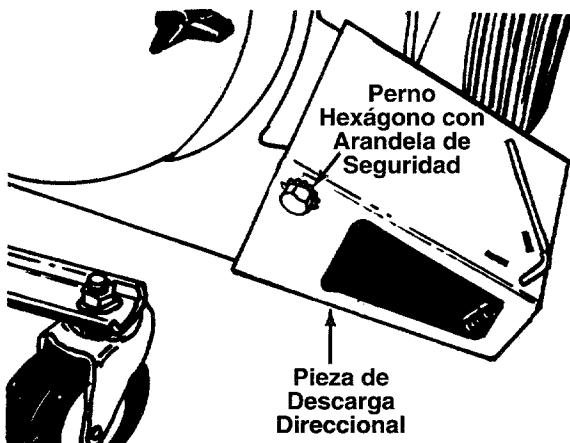


FIGURA 4.

FIJACION DE LA PIEZA DE DESCARGA DIRECCIONAL

Deslice el extremo de la pieza de descarga sobre la abertura del canal. Fije en posición con los pernos hexágonos con arandelas de seguridad. Véase figura 4.

OPERACION

CONOZCA BIEN SU BARREDOR DE AIRE

LEA ESTE MANUAL DEL PROPIETARIO Y LAS NORMAS DE SEGURIDAD ANTES DE OPERAR SU BARREDOR DE AIRE.

Compare las ilustraciones con su barredor de aire para familiarizarse con los puntos de varios controles y ajustes. Guarde este manual para futura referencia.

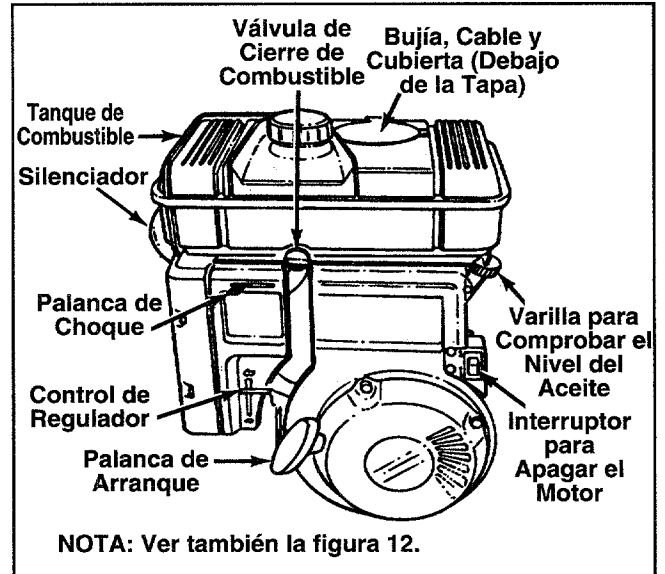


FIGURA 5.

CONTROLES DE OPERACION (Véase figura 5)

PALANCA DE LA PIEZA DE DESCARGA DIRECCIONAL—Usela para cambiar la dirección de descarga de aire hacia el frente o al lado.

PALANCA DE CHOQUE—Usada para enriquecer la mezcla de combustible en el carburador al encender un motor frío.

PALANCA DE ARRANQUE—Usada para arrancar el motor manualmente.

INTERRUPTOR PARA APAGAR EL MOTOR—Usado para apagar el motor.

VALVULA DE CIERRE DE COMBUSTIBLE—Usada para cerrar el paso de combustible al carburador.

CONTROL DE REGULADOR—Permite la selección de velocidad rápida o despacio del motor.

ANTES DE USAR SU BARREDOR DE AIRE, HAGA OTRA VEZ REFERENCIA A LAS "NORMAS DE SEGURIDAD" DEMOSTRADAS EN LA PAGINA 2 DE ESTE MANUAL. SIEMPRE TENGA CUIDADO.



La operación de cualquier barredor de aire puede resultar en todo tipo de objetos volando y siendo tirados a los ojos, lo cual puede dañar severamente los ojos. Use siempre anteojos de seguridad o protección antes de encender la unidad o mientras la este ajustando o reparando. Recomendamos una Careta Ancha de Seguridad para usarla sobre gafas o anteojos de seguridad estándar. Disponibles en las Tiendas Sears.

PARA APAGAR EL MOTOR

- Mueva la palanca del control de regulador a la posición SLOW.
- Mueva el interruptor a la posición OFF. Véanse figuras 8 a 12.
- Desconecte el cable de bujía y aléjelo de la bujía para prevenir el arranque accidental mientras el equipo está solo.
- Cierre la válvula de corte de combustible siempre que el equipo no este en uso para prevenir el escape de combustible.

COMO USAR SU BARREDOR DE AIRE



ADVERTENCIA: NO AJUSTE BAJO NINGUNA CIRCUNSTANCIA LA UNIDAD, SIN PRIMERO APAGAR EL MOTOR Y DESCONECTAR EL CABLE DE BUJÍA.

DESCARGA DE DOS DIRECCIONES

El barredor de aire puede ajustarse para descargar hacia el frente de la unidad o hacia el lado. Simplemente empuje hacia abajo la palanca y gire la puerta hacia el frente para descargar hacia el lado o al lado para descargar hacia adelante. Véase figura 6.

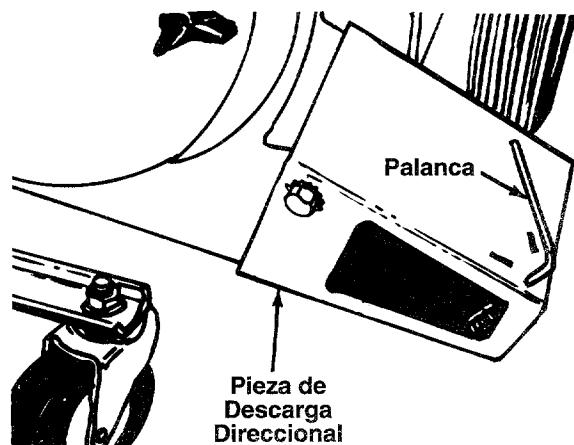


FIGURA 6.

AJUSTE DE ALTURA

La manivela para ajustar la altura se encuentra al lado derecho del barredor. Véase figura 7. Gire la manivela hacia la derecha para levantar el canal de descarga. Gírelo en posición contraria para bajarlo.

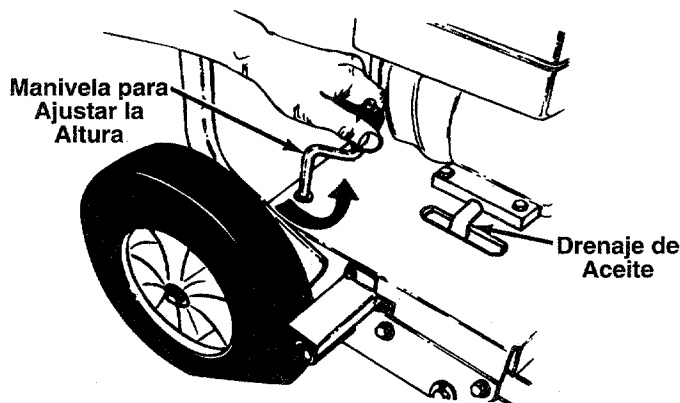
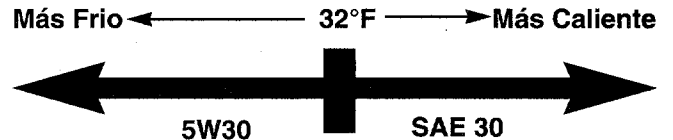


FIGURA 7.

ABASTECIMIENTO DE GASOLINA Y ACEITE

ACEITE

Use solamente aceite con detergente de alta calidad clasificado con API: SF, SG o SH. Seleccione el grado de viscosidad del aceite de acuerdo con la temperatura de operación atmosférica.



NOTA: A pesar de que el aceite de múltiple viscosidad (5W30, 10W30, etc.) ayuda a arrancar la máquina en tiempo frío, el aceite de múltiple viscosidad resultarán en un aumento de consumo cuando se usan sobre los 32°F. Revise el nivel del aceite más a menudo para evitar posibles daños al motor por tener poco aceite.

- Llene el motor con aceite del siguiente modo. Quite la varilla para comprobar el nivel del aceite. Véase figura 8. Con el barredor de aire plano, use un embudo para llenar el motor con aceite hasta la marca FULL de la varilla de medición. La capacidad aproximada es de 1-1/4 pintas. Tenga cuidado de no llenarlo demasiado. Revise el nivel del aceite. Llene hasta la marca FULL de la varilla de medición si es necesario. Vuelva a instalar la varilla y apriétela.

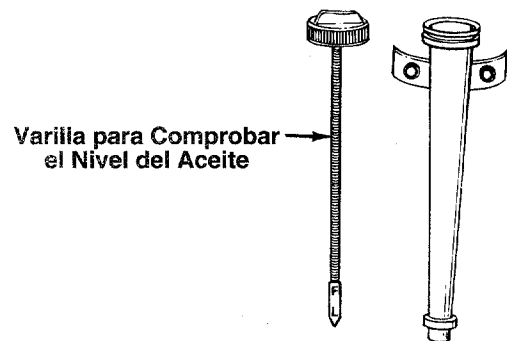


FIGURA 8.

GASOLINA

- Quite el tapón y llene el tanque de combustible con aproximadamente un galón de gasolina para automóvil limpia, fresca y sin plomo. NO USE Etilo o gasolina con alto octano. Asegúrese de que el contenedor este limpio y que no este herrumbrado ni tenga residuos. Nunca use gasolina que tiene mucho tiempo de estar en almacenaje en el contenedor. Vuelva a colocar el tapón del tanque.



ADVERTENCIA: NO LLENE DEMASIADO EL TANQUE. DEJE UN ESPACIO DE 1/2 PULGADA DEL BORDE PARA PREVENIR EL CHORREO Y PARA PERMITIR LA EXPANSION DEL COMBUSTIBLE. SI SE RIEGA LA GASOLINA ACCIDENTALMENTE, MUEVA EL CORTADOR DE LEÑO A OTRA AREA LIMPIA. EVITE CREAR CUALQUIER FUENTE DE IGNICION HASTA QUE LOS VAPORES DE LA GASOLINA HAYAN DESAPARECIDO.

ADVERTENCIA: LA EXPERIENCIA INDICA QUE LOS COMBUSTIBLES DE ALCOHOL MEZCLADOS (CONOCIDOS COMO GASOL O USO DE ETANOL O METANOL) PUEDEN ATRAER HUMEDAD LO CUAL LLEVA A LA SEPARACION Y FORMACION DE ACIDOS DURANTE EL ALMACENAJE. EL GAS ACIDO PUEDE DAÑAR EL SISTEMA DE COMBUSTION DE UN MOTOR DURANTE EL ALMACENAJE. PARA EVITAR PROBLEMAS CON EL MOTOR, EL SISTEMA DE COMBUSTIBLE SE DEBE VACIAR O TRATAR CON UN ESTABILIZADOR DE COMBUSTIBLE ANTES DE ALMACENAR LA MAQUINA POR 30 DIAS O MAS TIEMPO. USE COMBUSTIBLE FRESCO LA PROXIMA ESTACION. VEA LA SECCION "ALMACENAJE" PARA MAS INFORMACION.

NUNCA USE PRODUCTOS PARA LIMPIAR EL CARBURADOR O EL MOTOR EN EL TANQUE DE COMBUSTIBLE O DE LO CONTRARIO PUEDE CAUSAR DAÑO PERMANENTE.

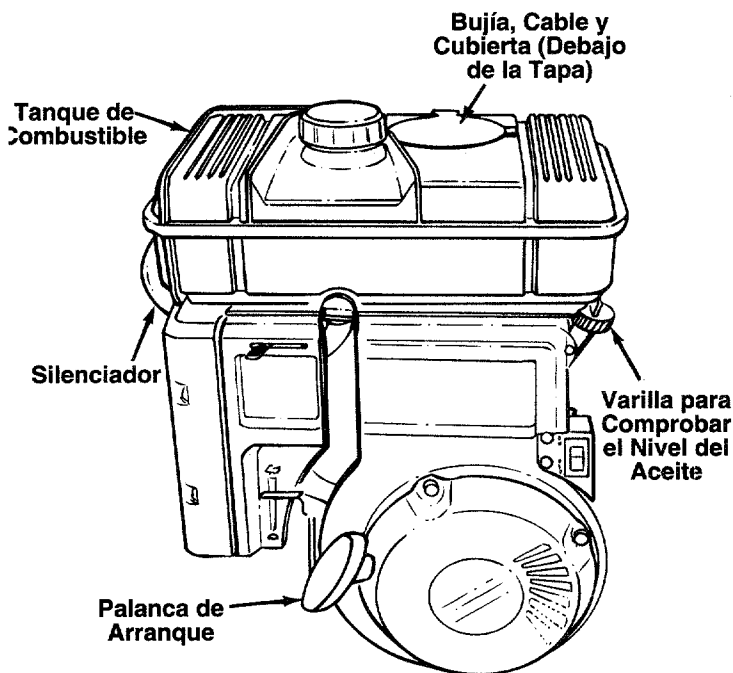


FIGURA 9.

PARA ARRANCAR EL MOTOR

- Abra la tapa (encima del tanque de combustible) y conecte el cable de bujía y la cubierta de hule a la bujía como sea necesario. Véase la figura 9.
- Abra la válvula de cierre de combustible dándole vuelta en dirección de la flecha. Véase figura 10.
- Coloque la palanca de control del regulador en la posición FAST. Véase figura 10.

NOTA: Si la palanca de control del regulador no se mantiene en la posición deseada o si es difícil de mover, vea la sección de mantenimiento y ajustes.

- Mueva la palanca de choque hacia abajo a la posición de CHOKE.
- Coloque el interruptor del motor en la posición ON. Véase figura 10.

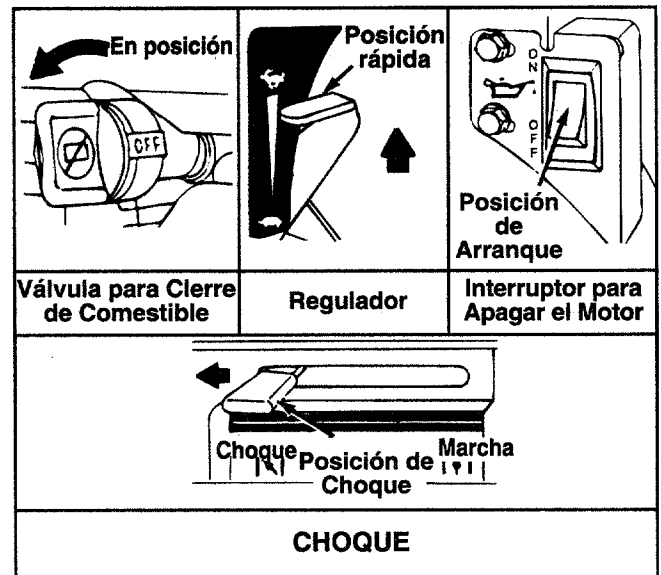


FIGURA 10.

- Tome el mango del arrancador (Véase figura 9) y jale la cuerda despacio hasta que el motor alcance el comienzo del ciclo de compresión (la cuerda tirará un poco más fuerte en este punto). Permita que la cuerda se enrolle despacio.
- Jale la cuerda de manera rápida y continua. Mantenga firme la palanca de arranque. Permita que la cuerda se enrolle despacio. No permita que la palanca de arranque se devuelva bruscamente contra el arrancador.
- Repita las dos instrucciones anteriores hasta que se encienda el motor. Cuando encienda, mueva la palanca de choque en el motor a mitad entre CHOKE y RUN.

NOTA: Si el motor no se enciende después de tres intentos, mueva la palanca de choque a mitad en la posición entre CHOKE y RUN y vuelva a intentar. Véase figura 10.

PARA APAGAR EL MOTOR

- Mueva la palanca de control del regulador a la posición SLOW.
- Mueva el interruptor para apagar el motor a la posición OFF. Véase figura 10.
- Desconecte el cable de bujía y aléjelo de la bujía para prevenir un arranque accidental mientras el equipo está solo.
- Mantenga la válvula de cierre del combustible cerrada cuando la máquina no este en uso para prevenir escapes.

RESPONSABILIDADES DEL PROPIETARIO

HORARIO DE MANTENIMIENTO ESCRIBA LOS DIAS CONFORME DE EL MANTENIMIENTO TECNICO REGULAR		FECHAS DE SERVICIO													
		ANTES DE CADA USO	DESPUES DE CADA USO	PRIMERAS CINCO HORAS	CADA 25 HORAS	CADA 50 HORAS	ANTES DEL ALMACENAJE								
PRODUCTO:	Puntos de Pivote					✓									
	Barredor de Aire Limpio		✓				✓								
MOTOR:	Revisar el Aceite de Motor	✓													
	Cambiar el Aceite de Motor			✓	✓										
	Dar Mantenimiento al Depurador de Aire				✓										
	Limpiar el Motor				✓		✓								
	Bujía				✓		✓								
	Silenciador					✓									

✓ REVISAR

RECOMENDACIONES GENERALES



ADVERTENCIA: DETENGA SIEMPRE EL MOTOR Y DESCONECTE EL CABLE DE BUJIA ANTES DE DAR MANTENIMIENTO O EFECTUAR AJUSTES.

- Revise periódicamente todos los fiadores y asegúrese de que estén apretados.
- Siga el Horario de Mantenimiento de arriba.

BARREDOR DE AIRE

LUBRICACION

- Lubrique los puntos de pivote y el resorte en la pieza de descarga direccional por lo menos una vez por año con aceite liviano.

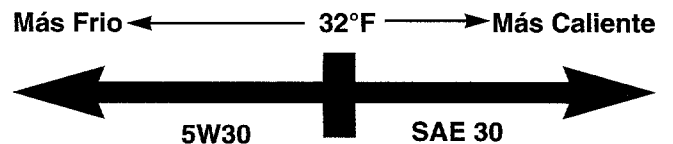
LIMPIEZA

- El barredor de aire se puede limpiar usando una manguera y dejando correr el agua por el conjunto de tolva y el canal del picador con el motor encendido. Permita que el barredor seque por completo.

MOTOR

ACEITE DE MOTOR

Use solamente aceite con detergente de alta calidad clasificado con API: SF, SG o SH. Seleccione el grado de viscosidad del aceite de acuerdo con la temperatura de operación atmosférica.



NOTA: A pesar de que el aceite de múltiple viscosidad (5W30, 10W30, etc.) ayuda a arrancar la máquina en tiempo frío, el aceite de múltiple viscosidad resultará en un aumento de consumo cuando se usan sobre los 32°F. Revise el nivel del aceite más a menudo para evitar posibles daños al motor por tener poco aceite.

Su motor de cuatro ciclos normalmente consume algo de aceite; por lo tanto, revise el nivel del aceite regularmente - aproximadamente cada cinco horas de operación y antes de cada uso. Apague el motor y espere varios minutos antes de revisar el nivel del aceite. Con el nivel del motor, el aceite debe de estar en la marca FULL de la varilla de comprobación (véase figura 8). Cambie el aceite de motor después de las primeras cinco horas de operación y de ahí en adelante cada veinticinco horas.

Para Vaciar el Aceite:

- Vacíe el aceite cuando el motor aun esta tibio.
 - a) Quite el tapón de drenaje de aceite. Ponga el aceite en un contenedor adecuado.
 - b) Una vez que vacíe todo el aceite, vuelva a colocar el tapón de drenaje bien seguro.
- Llénelo con aceite fresco. Vea la sección sobre ABASTECIMIENTO DE GASOLINA Y ACEITE.
- Vuelva a colocar la varilla de comprobación.

DEPURADOR DE AIRE

El depurador de aire evita que el polvo, la tierra y otros elementos dañinos entren al carburador y de ser forzados al motor. Esto es importante para la duración y el rendimiento del motor.

Nunca encienda el motor sin tener ensamblado completamente el depurador de aire.

Para Dar Mantenimiento al Depurador de aire:

Dé mantenimiento al predepurador después de 25 horas de uso o por lo menos una vez cada estación. Dé mantenimiento al cartucho cada 100 horas de uso o por lo menos una vez cada estación. Dé mantenimiento a ambos más a menudo si las condiciones son polvorientas.

- Suelte los tornillos de la cubierta del depurador de aire. Quite la cubierta y el conjunto del depurador de la base. Véase figura 11.
- Saque el conjunto del depurador de aire y desmonte.
- Para dar mantenimiento al predepurador de espuma: quite el predepurador. Lávelo en agua y detergente líquido. Escúrralo en una toalla limpia. Satúrelo en aceite de motor. Escúrralo en una toalla limpia y absorbente para quitar el exceso de aceite. Si el predepurador está muy sucio, cámbielo.
- Para dar mantenimiento al cartucho: límpielo golpeándolo suavemente en una superficie plana. Si está muy sucio, cámbielo. No lo sumerja en aceite.

NOTA: No utilice solventes de petróleo (ex: queroseno) o aire a presión para limpiar el cartucho porque ambos lo deteriorarán.

- Vuelva a ensamblar el retenedor del predepurador y del cartucho (tamiz del predepurador hacia los pliegues del cartucho). Coloque el conjunto en la cubierta.
- Inserte las orejetas de la cubierta en las ranuras en la base y apriete bien los tornillos.

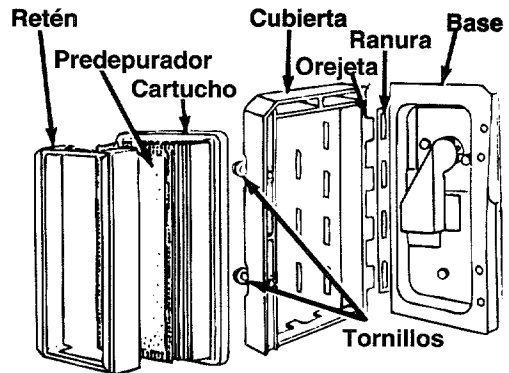


FIGURA 11.

LIMPIEZA DEL MOTOR

Limpie el motor periódicamente. Quite la tierra y escombros con un trapo o un cepillo. No se recomienda limpiarlo con agua a presión ya que el agua puede contaminar el sistema de combustible.

Anualmente o cada 25 horas, el que ocurra primero, quite la caja soplante y limpie las áreas demostradas en la figura 12 para evitar el exceso de velocidad, el exceso de calor o daño al motor. Limpie más a menudo si es necesario.



ADVERTENCIA: LIMPIE PERIÓDICAMENTE EL AREA DEL SILENCIADOR PARA QUITAR TODO EL ZACATE, TIERRA Y ESCOMBROS DE COMBUSTIBLE.

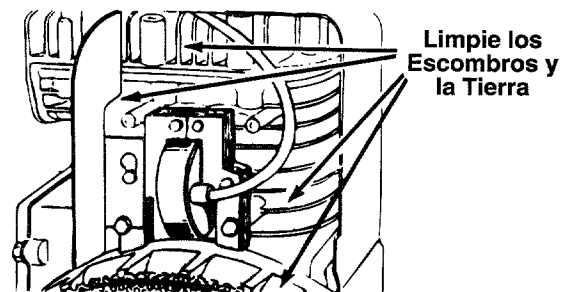


FIGURA 12.

BUJIA

La bujía debe limpiarse y el espacio programado a .030" por lo menos una vez cada estación o cada 50 horas de operación. Véase figura 13. El cambio de la bujía se recomienda al principio de cada estación. Vea la lista de repuestos para el motor para ver el tipo de bujía que corresponde.

NOTA: No limpie la bujía por chorro de arena. Debe limpiarse raspándola o con un cepillo de alambre y lavándola con un solvente comercial.

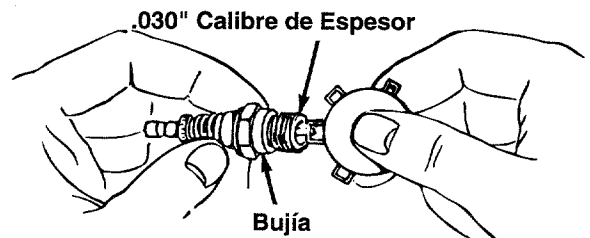


FIGURA 13.

SILENCIADOR

No opere el barredor de aire sin un silenciador ni manipule el sistema de escape. Los silenciadores en mal estado o el apagador de chispas pueden crear un peligro de incendio. Inspeccione periódicamente y cámbielos como sea necesario. Si su motor tiene un conjunto de tamiz de apagador de chispas quítelo cada 50 horas de operación para la limpieza e inspección. Reemplácelo si está dañado.

ALMACENAJE

Prepare su barredor de aire para ser almacenado al final de la estación o si el cortador no será utilizado por 30 días o más.



ADVERTENCIA: NUNCA ALMACENE LA MAQUINA CON COMBUSTIBLE EN EL TANQUE DE COMBUSTIBLE ADENTRO DE UN EDIFICIO DONDE LOS GASES PUEDEN ALCANZAR FUENTES DE IGNICION TALES COMO AGUA CALIENTE Y CALENTADORES UNITARIOS, HORNOS, SECADORAS DE ROPA, COCINAS, MOTORES ELECTRICOS, ETC.

NOTA: Es bueno que su Centro de Servicio Local de Sears revise su cortador de leño para asegurarse de que el cortador dé el máximo rendimiento para la próxima estación.

BARREDOR DE AIRE

- Limpie completamente el barredor de aire.
- Pásele al barredor un trapo aceitado para prevenir que se herrumbre (use un aceite liviano o silicón).

MOTOR

IMPORTANTE: ES IMPORTANTE PREVENIR QUE SE FORMEN DEPÓSITOS DE GOMA EN LAS PIEZAS ESENCIALES DEL SISTEMA DE COMBUSTIBLE TALES COMO EN EL CARBURADOR, FILTRO DE COMBUSTIBLE, MANGUERA O EN EL TANQUE DURANTE EL ALMACENAJE. TAMBIEN, LA EXPERIENCIA INDICA QUE LOS COMBUSTIBLES QUE CONTIENEN ALCOHOL (CONOCIDOS COMO GASOL O EL USO DE ETANOL O METANOL) PUEDEN ATRAER HUMEDAD LA CUAL CAUSA LA SEPARACION Y FORMACION DE ACIDOS DURANTE EL ALMACENAJE. EL GAS ACIDO PUEDE DAÑAR EL SISTEMA DE COMBUSTIBLE DE UN MOTOR DURANTE EL ALMACENAJE.

- Vacíe el tanque de combustible.
- Arranque el motor y déjelo funcionar hasta que las líneas de combustible y del carburador estén vacías.

- Nunca use productos de limpieza para el motor o el carburador en el tanque de combustible o de contrario daño permanente puede ocurrir.
- Use combustible fresco la próxima estación.

NOTA: El estabilizador de combustible es una alternativa aceptable para minimizar la formación de depósitos de goma de combustible durante el almacenaje. Añada estabilizador a la gasolina en el tanque de gasolina o en el contenedor de almacenaje. Siempre siga la proporción de mezcla localizado en el contenedor del estabilizador. Deje correr el motor por lo menos por 10 minutos después de añadir el estabilizador para permitir que alcance el carburador. No vacíe el tanque de combustible ni el carburador si usa el estabilizador.

- Vacíe todo el aceite de la caja del cigüeñal (esto debe hacerse después de usar el motor y cuando aun esta caliente) y vuelva a llenar la caja con aceite fresco.
- Si ha vaciado el tanque de combustible, proteja el interior del motor de la siguiente manera. Quite la bujía, eche aproximadamente 1/2 onza (como una cucharada) de aceite de motor al cilindro y cigüeñal despacio para distribuir el aceite. Vuelva a instalar la bujía.

OTROS

- No almacene gasolina de una estación para otra.
- Reemplace su lata de gasolina si se empieza a herrumbrar. El herrumbre y/o tierra en la gasolina causará problemas.
- Almacene la unidad en un área limpia y seca.

NOTA: Si almacena en un cobertizo sin ventilación o de metal, asegúrese de preparar el equipo contra herrumbre dándole una mano de aceite o silicona.

MANTENIMIENTO Y AJUSTES



ADVERTENCIA: SIEMPRE APAGUE EL MOTOR, DESCONECTE EL CABLE DE BUJIA Y ALEJELO DE LA BUJIA ANTES DE EJECUTAR AJUSTES O REPARACIONES.

AJUSTE DEL REGULADOR

Para ajustar la palanca de control del regulador, suelte o apriete la tuerca mariposa hasta que la palanca se mueva con algo de resistencia y aun permanezca en la posición deseada cuando el motor está funcionando. Véase figura 14.



FIGURA 14.

AJUSTE DEL CARBURADOR



ADVERTENCIA: SI SE EFECTUA CUALQUIER AJUSTE AL MOTOR MIENTRAS ESTA ENCENDIDO (EX. CARBURADOR) MANTENGASE LEJOS DE TODA PIEZA EN MOVIMIENTO Y TENGA CUIDADO CON LAS SUPERFICIES DEL CALENTADOR Y DEL SILENCIADOR.

Es posible que se requieran ajustes mínimos al carburador para compensar por las diferencias de combustible, temperatura, altitud o carga.

NOTA: Un depurador de aire sucio hará que el motor funcione agitado. Asegúrese de que el depurador este limpio y unido al carburador antes de ajustar el carburador. No haga ajustes innecesarios. Los ajustes de fábrica son satisfactorios para la mayoría de las aplicaciones y condiciones.

Nunca trate de cambiar la velocidad máxima del motor. Es programada en la fábrica y debe ser cambiada solamente por técnicos calificados que cuenten con el equipo necesario.

El carburador puede necesitar reajuste si le falta potencia al motor o si no marcha en vacío adecuadamente. Si se requieren ajustes, prosiga de la siguiente manera:

- Cierre con la mano la válvula de mezcla para marcha en vacío (véase figura 15) hacia la derecha ↻. No la fuerce porque puede dañarla. Luego abra 1-1/2 giro hacia la izquierda ↻.
- Encienda el motor y permita que caliente por cinco minutos.
- Mueva la palanca de control del regulador a la posición IDLE.

- Gire el regulador hacia la izquierda ↻ y apoye contra el tornillo de ajuste de velocidad para marcha en vacío. Gire el tornillo hasta que el motor este funcionando a 1750 R.P.M. (revoluciones por minuto).
- Gire la válvula de mezcla para marcha en vacío hacia la derecha ↻ (mezcla pobre) hasta que el motor APENAS empiece a funcionar más despacio. Luego gírela hacia la izquierda ↻ (mezcla rica) hasta que el motor empiece a funcionar desigualmente. Fíjela a la mitad entre la mezcla rica y la pobre.
- Vuelva a revisar el R.P.M. para marcha en vacío y reajuste si es necesario.
- Mueva la palanca de control del regulador a la posición FAST. El motor debe acelerar sin vacilación o chisporroteo. Si no funciona de este modo, se debe ajustar el carburador, comúnmente a una mezcla un poco más rica.

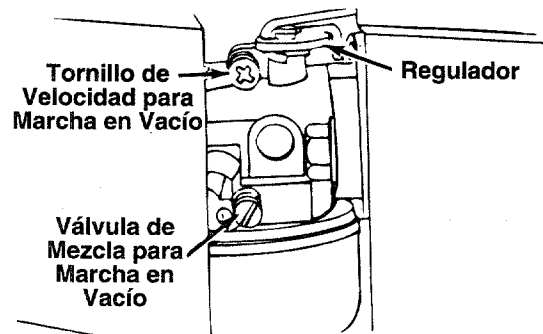


FIGURA 15.

VELOCIDAD DEL MOTOR

La velocidad del motor ha sido programada en la fábrica. No trate de aumentarla porque de lo contrario puede resultar en algún accidente. Si usted cree que el motor está funcionando demasiado rápido o despacio, lleve su barredor de aire al Centro de Servicio Sears más cercano para reparación y ajuste.

GUIA PARA RESOLUCION DE PROBLEMAS

PROBLEMA	CAUSA(S) POSIBLE(S)	ACCION CORRECTIVA
El motor no arranca	<ul style="list-style-type: none"> • Interruptor del motor desconectado (OFF) • Válvula de control del combustible cerrada • Tanque de combustible vacío o gasolina inservible. • Cable de bujía desconectado • Bujía defectuosa 	<ul style="list-style-type: none"> • Pase el interruptor en la posición ON • Abra la válvula • Llene el tanque con gasolina limpia y fresca • Conecte el cable de bujía • Límpiela, ajuste el espacio o cámbiela
Pérdida de energía; operación irregular	<ul style="list-style-type: none"> • Cable de bujía suelto • Unidad trabajando en posición CHOKE • Línea de combustible bloqueada o gasolina inservible • Agua o tierra en el sistema de combustible • Carburador desajustado • Depurador de aire está sucio 	<ul style="list-style-type: none"> • Conecte y apriete el cable • Pase la palanca de choque a posición OFF • Limpie la línea de combustible; llene el tanque con gasolina fresca y limpia. • Desconecte la línea de combustible en el carburador para vaciar el tanque. Llene con combustible fresco. • Ajuste el carburador o llame a su Centro de Servicio Sears. • Dé mantenimiento al depurador. Vea en este manual la sección de Responsabilidades del Propietario
El motor se recalienta	<ul style="list-style-type: none"> • Carburador mal ajustado • Nivel de aceite bajo • Flujo de aire restringido 	<ul style="list-style-type: none"> • Ajustar el carburador o llamar a su Centro de Servicio Sears • Llenar la caja del cigüeñal con aceite • Quitar y limpiar aparato de ventilación
Demasiada vibración	<ul style="list-style-type: none"> • Piezas sueltas o cigüeñal dañado 	<ul style="list-style-type: none"> • Apague el motor inmediatamente y desconecte el cable de bujía. Apriete todos los pernos y las tuercas. Haga las reparaciones necesarias. Si la vibración continua, llévela a un Centro de Servicio SEARS.
La unidad no descarga	<ul style="list-style-type: none"> • Pieza de descarga direccional atorada • Objeto atorado en el montaje de aleta 	<ul style="list-style-type: none"> • Apague el motor inmediatamente y desconecte el cable de bujía. Limpie el área de descarga y adentro de la caja del soplador. • Apague el motor inmediatamente y desconecte el cable de bujía. Remueva el objeto atorado.

NOTA: Para otros ajustes fuera de los mínimos mencionados en la lista anterior, por favor llame a su Centro de Servicio Sears más cercano.

COMO ORDENAR PIEZAS DE REPUESTO

Cada barredor de aire tiene su número propio de modelo.
Cada motor tiene su número propio de modelo.

El número de modelo para su barredor de aire se encuentra en un rótulo pegado al marco.

El número de modelo del motor se encuentra en la cubierta del soplador del motor.

Todas las piezas listadas aquí pueden ordenarse de los Centros de Servicio de Sears Roebuck and Co. y en la mayoría de las tiendas al por menor.

CUANDO ORDENE PIEZAS DE REPUESTO SIEMPRE PROPORCIONE LA INFORMACION SIGUIENTE:

- PRODUCTO - "BARREDOR DE AIRE DE 5 H.P."
- NUMERO DE MODELO -247.797900
- NUMERO DE MODELO DEL MOTOR - 133412-0059-01
- NUMERO DE PIEZA

• DESCRIPCION DE LA PIEZA

Su mercadería de Sears tiene un valor agregado cuando usted considera que Sears tiene unidades de servicio en todo el país con personal técnico entrenado de Sears...técnicos profesionales entrenados específicamente en los productos de Sears, teniendo las piezas, herramientas y el equipo para asegurar que cumplamos con nuestra promesa a usted... "servimos lo que vendemos."

Para las piezas de repuesto, vea el reverso del manual. Las listas de las piezas comienzan en la página 15.

SI NECESITA SERVICIO DE REPARACIÓN O PARTES:

SERVICIO DE REPARACIÓN

1-800-4 REPAIR
1-800-473-7247

PARA ORDENAR PARTES

1-800-FON PART
1-800-366-7278

Free Manuals Download Website

<http://myh66.com>

<http://usermanuals.us>

<http://www.somanuals.com>

<http://www.4manuals.cc>

<http://www.manual-lib.com>

<http://www.404manual.com>

<http://www.luxmanual.com>

<http://aubethermostatmanual.com>

Golf course search by state

<http://golfingnear.com>

Email search by domain

<http://emailbydomain.com>

Auto manuals search

<http://auto.somanuals.com>

TV manuals search

<http://tv.somanuals.com>