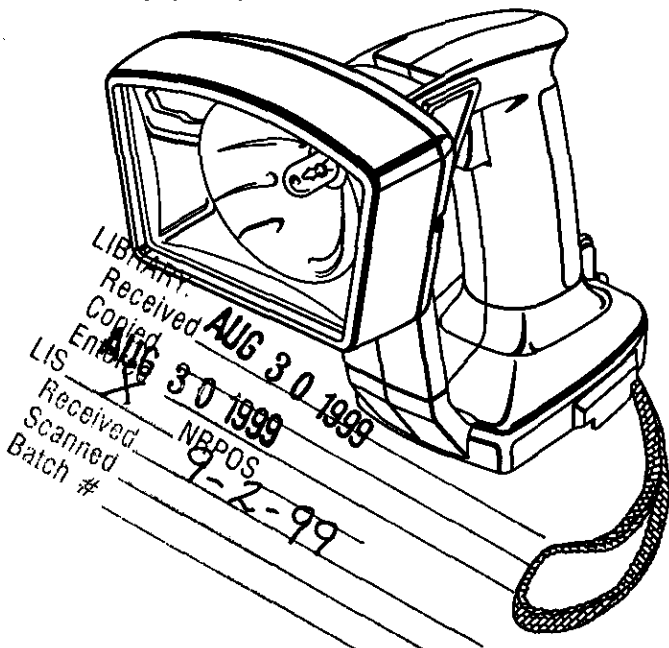


CRAFTSMAN®

18.0 Volt CORDLESS WORKLIGHT

315.110990
Part No. 975815-003

Use only with Craftsman battery pack
and charger (both sold separately)
Extra bulb included



⚠ CAUTION: Read and follow all Safety Rules and Operating Instructions before first use of this product.

RULES FOR SAFE OPERATION

READ ALL INSTRUCTIONS

- **KNOW YOUR WORKLIGHT.** Read owner's manual carefully. Learn its applications and limitations as well as the specific potential hazards related to this light.
- **USE ONLY BATTERY PACK PART NUMBER 975284-001 WITH YOUR WORKLIGHT.** Any attempt to use another battery pack will cause damage to your light and could possibly explode, cause a fire, or personal injury.
- **REMOVE BATTERY PACK FROM WORKLIGHT BEFORE REPLACING BULB OR PERFORMING ANY ROUTINE MAINTENANCE OR CLEANING.**
- **DO NOT DISASSEMBLE YOUR LIGHT.**
- **DO NOT PLACE WORKLIGHT OR BATTERY PACK NEAR FIRE OR HEAT.** They may explode. Also, **DO NOT** dispose of a worn out battery pack by incinerating.

- **DO NOT STORE YOUR WORKLIGHT IN A DAMP OR WET LOCATION. ALSO, DO NOT STORE IN LOCATIONS WHERE THE TEMPERATURE MAY REACH OR EXCEED 120°F.** For example, outside sheds, vehicles, or metal buildings in the summer.
- **DO NOT PERMIT CHILDREN TO USE WORKLIGHT UNSUPERVISED.** It is not a toy. The temperature of the bulb can become hot after being on for an extended period of time. This hot temperature may cause burn injury if touched.
- **KEEP WORK AREA CLEAN.** Cluttered areas and benches invite accidents.
- **AVOID DANGEROUS ENVIRONMENT.**
- **KEEP LIGHT DRY, CLEAN, AND FREE FROM OIL AND GREASE.** Always use a clean cloth when cleaning. Never use brake fluids, gasoline, petroleum-based products or any strong solvent to clean your light.
- **STAY ALERT.** Watch what you are doing and use common sense. Do not rush.
- **CHECK DAMAGED PARTS.** Before further use of this light, a part that is damaged should be carefully checked to determine that it will operate properly and perform its intended function. A part that is damaged should be properly repaired or replaced.

IMPORTANT SAFETY RULES FOR BATTERY TOOLS

- **USE ONLY THE CHARGER RECOMMENDED FOR USE WITH YOUR WORKLIGHT.** Do not substitute any other charger. Use of another charger could cause batteries to explode causing possible serious injury.
- Your battery tool should be charged in a location where the temperature is more than 50°F but less than 100°F.
- Under extreme usage or temperature conditions, battery leakage may occur. If liquid comes in contact with your skin, wash immediately with soap and water, then neutralize with lemon juice or vinegar. If liquid gets in your eyes, flush them with clean water for at least 10 minutes, then seek immediate medical attention.
- **WHEN SERVICING USE ONLY IDENTICAL CRAFTSMAN REPLACEMENT PARTS.**

IMPORTANT SAFETY INSTRUCTIONS FOR CHARGER

- Before using battery charger, read all instructions and cautionary markings in this manual, on battery charger, and product using battery charger.
- **⚠ WARNING:** To reduce the risk of injury, charge only nickel-cadmium type rechargeable batteries. Other types of batteries may burst causing personal injury and damage.

RULES FOR SAFE OPERATION (Continued)

- Do not expose to rain or snow.
- To reduce the risk of damage to charger body and cord, pull by charger body rather than cord when disconnecting charger.
- An extension cord should not be used unless absolutely necessary. Use of improper extension cord could result in a risk of fire and electric shock. If extension cord must be used, make sure:
 - a. That pins on plug of extension cord are the same number, size and shape as those of plug on charger.
 - b. That extension cord is properly wired and in good electrical condition; and
 - c. That wire size is large enough for AC ampere rating of charger as specified below:

Cord Length (Feet) 25 ft. 50 ft. 100 ft. 150 ft.

Cord Size (AWG) 16 16 16 14

Note: AWG = American Wire Gage

- **DO NOT OPERATE CHARGER WITH A DAMAGED CORD OR PLUG.** If damaged, have replaced immediately by a qualified serviceman.
- Do not operate charger if it has received a sharp blow, been dropped, or otherwise damaged in any way; take it to a qualified serviceman.
- Do not disassemble charger; take it to a qualified serviceman when service or repair is required. Incorrect reassembly may result in a risk of electric shock or fire.
- To reduce the risk of electric shock, unplug charger from outlet before attempting any maintenance or cleaning. Turning off controls will not reduce this risk.
- Do not use charger outdoors.
- Disconnect charger from power supply when not in use.
- **SAVE THESE INSTRUCTIONS.** Review them frequently and use them to instruct others who may use this light. If you loan someone this light, loan them these instructions also.

OPERATION

CHARGING YOUR WORKLIGHT

The battery pack and charger are not included with this worklight. They are both sold separately. If you decide to purchase a battery pack and charger, use battery pack part number 975284-001 and charger part number 975283-001.

TO CHARGE BATTERY PACK:

- Charge battery pack only with the charger recommended.
- **Make sure power supply is normal house voltage, 120 volts, 60 hz, AC only.**
- Connect charger to power supply.
- Place battery pack in charger then press down on battery pack to be sure contacts on battery pack engage properly with charger contacts.
- Red light should turn on.
- When battery pack is fully charged, the red light will turn off and the green light will turn on.

TO INSTALL/REMOVE BATTERY PACK

See Figure 1.

- Use 18.0 volt battery pack part number 975284-001 only.
- Begin with a fully charged battery pack.
Note: After normal usage, the battery pack requires 1 hour of recharge time.
- Orient battery pack so that raised rib on battery pack aligns with groove inside worklight. Battery pack is designed to fit only one way in light handle.

- Insert battery pack, making sure latches on each side of battery pack snap in place and battery pack is secure in light before use.
- ▲ **CAUTION:** When placing battery pack in your light, be sure raised rib on battery pack aligns with groove inside light handle and latches snap in place properly. Improper assembly of battery pack can cause damage to internal components.
- To remove battery pack, locate latches on end of battery pack and depress to release battery pack from your light.

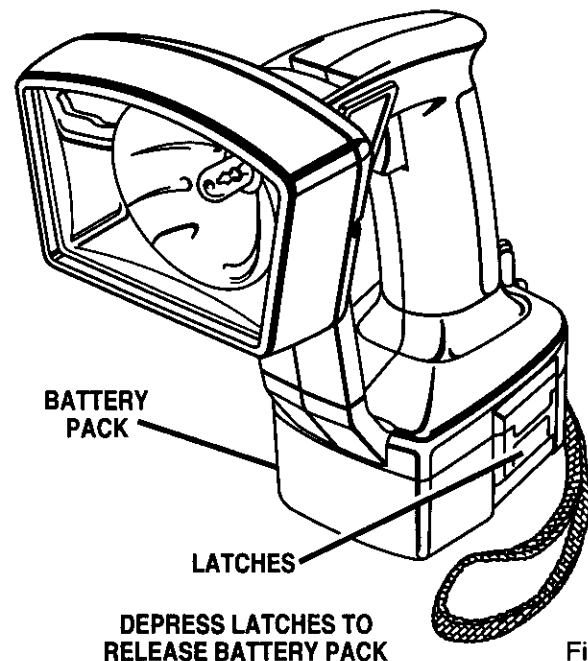


Fig. 1

OPERATION

SWITCH

See Figure 2.

To turn your light on and off, depress switch trigger.

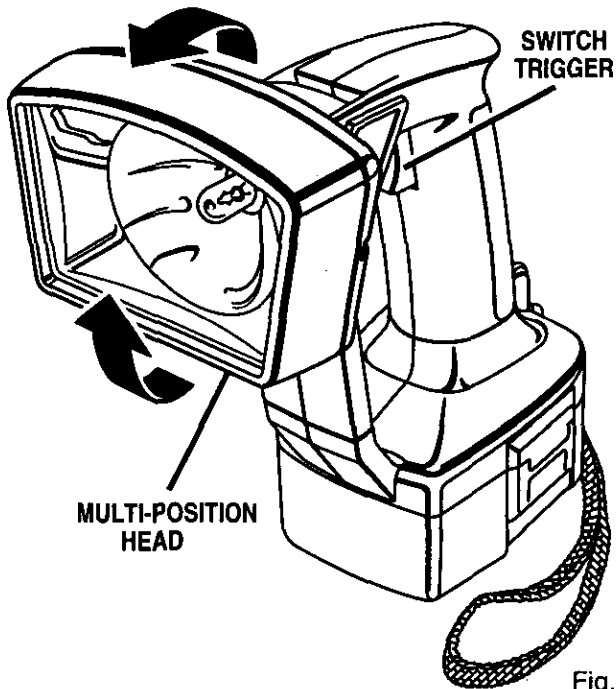


Fig. 2

MULTI-POSITION HEAD

See Figure 2.

Your worklight has the feature of a multi-position head that has positive stop clicks at each position. Rotate head to the desired position as shown in the arrows in figure 2.

SAFETY RULES FOR WORKLIGHTS

WARNING: Do not operate flashlight or charger near flammable liquids or in gaseous or explosive atmospheres. Internal sparks may ignite fumes.

WARNING: Lens and bulb become hot during use:

- During or immediately after use, don't lay worklight flat on lens surface.
- Handle worklight with care around any flammable surface.
- If bulb has been lit, let worklight cool for several minutes before changing bulb.
- Do not use or permit use of worklight in bed or sleeping bags. A burn injury could result.

BULB REPLACEMENT

See Figure 3.

When purchasing replacement xenon bulb, request recommended part number 981258-001.

TO REPLACE BULB:

- Remove battery pack from worklight.
- Remove the two screws securing lens cover, then remove cover.
- Remove old bulb from spring.
- Position new xenon bulb in spring.
- Replace lens cover and screws.
- Replace battery pack.

Note: For your convenience, a bulb storage area with extra bulb has been provided. It is located behind the lens cover. See Figure 3.

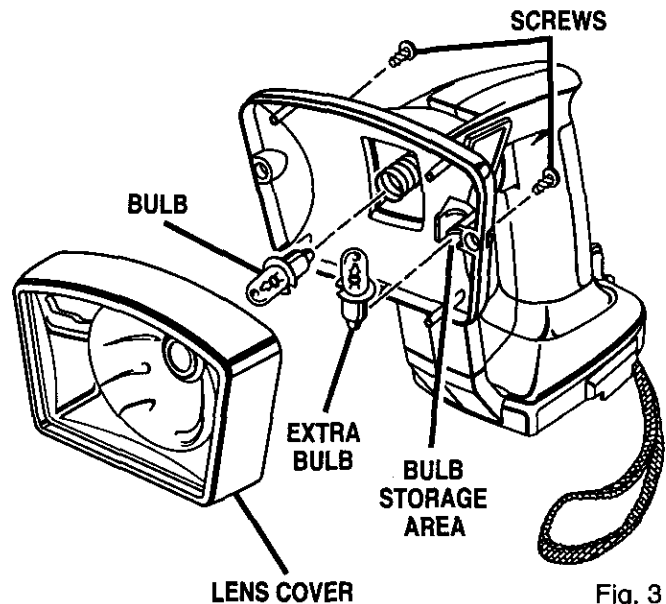


Fig. 3



To preserve natural resources, please recycle or dispose of properly.

This product contains nickel-cadmium batteries. Local, state or federal laws may prohibit disposal of nickel-cadmium batteries in ordinary trash.

Consult your local waste authority for information regarding available recycling and/or disposal options.

Sears, Roebuck and Co., Hoffman Estates, IL 60179
USA

972000-671
5-99

For replacement parts information and ordering, call
this toll free number:
1-800-366-PART (1-800-366-7278)

Free Manuals Download Website

<http://myh66.com>

<http://usermanuals.us>

<http://www.somanuals.com>

<http://www.4manuals.cc>

<http://www.manual-lib.com>

<http://www.404manual.com>

<http://www.luxmanual.com>

<http://aubethermostatmanual.com>

Golf course search by state

<http://golfingnear.com>

Email search by domain

<http://emailbydomain.com>

Auto manuals search

<http://auto.somanuals.com>

TV manuals search

<http://tv.somanuals.com>