

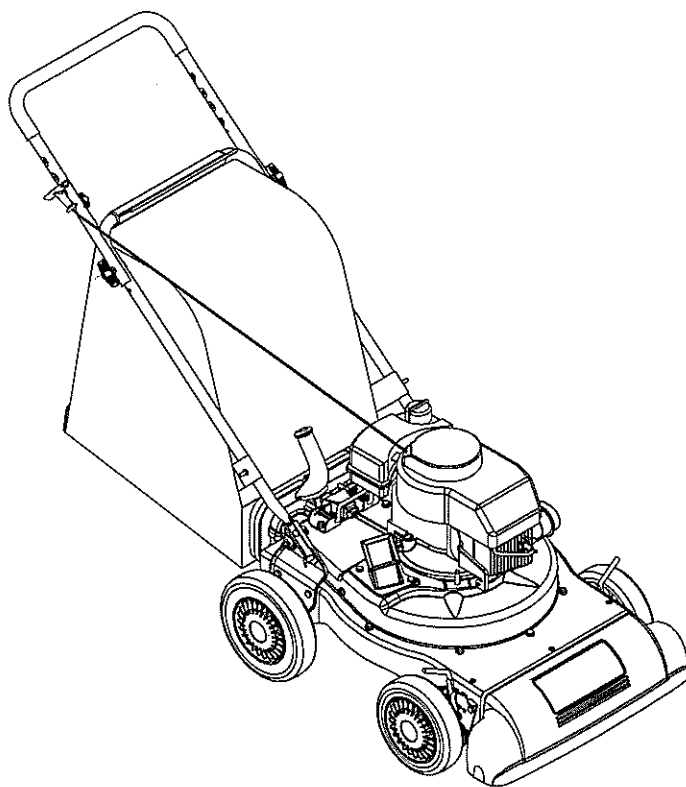
Operator's Manual



4.5 Horse Power

YARD VACUUM

Model No. 247.77010



CAUTION: Before using this product, read this manual and follow all Safety Rules and Operating Instructions.

- Safety
- Assembly
- Operation
- Maintenance
- Parts
- Español

Sears, Roebuck and Co., Hoffman Estates, IL 60179, U.S.A.

Visit our Sears website: www.sears.com/craftsman

Printed in U.S.A.

FORM NO. 770-10233D
(7/00)

TABLE OF CONTENTS

Content	Page	Content	Page
Warranty	2	Service and Adjustments	12
Safety	3	Storage	14
Assembly	5	Troubleshooting	15
Operation	7	Parts List	16
Maintenance	10		

WARRANTY

Limited Warranty on Craftsman Yard Vacuum

For one (1) year from the date of purchase, if this Craftsman Equipment is maintained, lubricated, and tuned up according to the instructions to the operator's manual, Sears will repair or replace free of charge any parts found to be defective in material or workmanship. Warranty service is available free of charge by returning Craftsman equipment to your nearest Sears Service Center. In-home warranty service is available but a trip charge will apply. This Warranty applies only while this product is in the United States.

This Warranty does not cover:

- Expendable items which become worn during normal use, such as spark plugs, air cleaners, belts, and oil filters.
- Tire replacement or repair caused by punctures from outside objects, such as nails, thorns, stumps, or glass.
- Repairs necessary because of operator abuse, including but not limited to, damage caused by objects, such as stones or metal debris, oversized stock, impacting objects that bend the frame or crankshaft, or over-speeding the engine.
- Repairs necessary because of operator negligence, including but not limited to, electrical and mechanical damage caused by improper storage, failure to use the proper grade and amount of engine oil, or failure to maintain the equipment according to the instructions contained in the operator's manual.
- Engine (fuel system) cleaning or repairs caused by fuel determine to be contaminated or oxidized (stale). In general, fuel should be used **within 30 days** of its purchase date.
- Equipment used for commercial or rental purposes.

TO LOCATE THE NEAREST SEARS SERVICE CENTER OR TO SCHEDULE SERVICE, SIMPLY CONTACT SEARS AT 1-800-4-MY-HOME.

This warranty gives you specific legal rights and you may also have other rights, which vary from state to state.

PRODUCT SPECIFICATION		
Horsepower:	4.5 Horse Power	Model Number..... 247.77010
Engine Oil Type :	SAE 30	Serial Number.....
Engine Oil Capacity	20 Ounces	Date of Purchase.....
Fuel Capacity:	1 1/2 Quarts	Record both serial number and date of purchase and keep in a safe place for future reference.
Spark Plug	Champion RJ-19LM	
Spark Plug Gap	.030"	

SAFETY



WARNING: This symbol points out important safety instructions which, if not followed, could endanger the personal safety and/or property of yourself and others. Read and follow all instructions in this manual before attempting to operate this machine. Failure to comply with these instructions may result in personal injury. When you see this symbol - **heed its warning.**

WARNING: Engine Exhaust, some of its constituents, and certain vehicle components contain or emit chemicals known to State of California to cause cancer and birth defects or other reproductive harm.

DANGER: This machine was built to be operated according to the rules for safe operation in this manual. As with any type of power equipment, carelessness or error on the part of the operator can result in serious injury. This machine is capable of amputating hands and feet and throwing objects. Failure to observe the following safety instructions could result in serious injury or death.

TRAINING

1. Read, understand, and follow all instructions on the machine and in the manual(s) before attempting to assemble and operate. Keep this manual in a safe place for future and regular reference and for ordering replacement parts.
2. Be familiar with all controls and their proper operation. Know how to stop the machine and disengage them quickly.
3. Never allow children under 16 years old to operate this machine. Children 16 years old and over should read and understand the operation instructions and safety rules in this manual and should be trained and supervised by a parent.
4. Never allow adults to operate this machine without proper instruction.
5. Keep bystanders, helpers, pets, and children at least 75 feet from the machine while it is in operation. Stop machine if anyone enters the area.
6. Never run an engine indoors or in a poorly ventilated area. Engine exhaust contains carbon monoxide, an odorless and deadly gas.
7. Do not put hands and feet near rotating parts or in the feeding chambers and discharge opening. Contact with the rotating impeller can amputate fingers, hands, and feet.
8. Never attempt to unclog either the feed intake or discharge opening, remove or empty vacuum bag, or inspect and repair the machine while the engine is running. Shut the engine off and wait until all moving parts have come to a complete stop. Disconnect the spark plug wire and ground it against the engine.
2. Always wear safety glasses or safety goggles during operation or while performing an adjustment or repair, to protect eyes. Thrown objects which ricochet can cause serious injury to the eyes.
3. Wear sturdy, rough-soled work shoes and close-fitting slacks and shirts. Loose fitting clothes or jewelry can be caught in movable parts. Never operate this machine in bare feet or sandals. Wear leather work gloves when feeding material in the chipper chute.
4. Before starting, check all bolts and screws for proper tightness to be sure the machine is in safe working condition. Also, visually inspect machine for any damage at frequent intervals.
5. Maintain or replace safety and instructions labels, as necessary.
6. To avoid personal injury or property damage use extreme care in handling gasoline. Gasoline is extremely flammable and the vapors are explosive. Serious personal injury can occur when gasoline is spilled on yourself or your clothes which can ignite. Wash your skin and change clothes immediately.
 - a. Use only an approved gasoline container.
 - b. Extinguish all cigarettes, cigars, pipes, and other sources of ignition.
 - c. Never fuel machine indoors.
 - d. Never remove gas cap or add while the engine is hot or running.
 - e. Allow engine to cool at least two minutes before refueling.
 - f. Never over fill fuel tank. Fill tank to no more than 1/2 inch below bottom of filler neck to provide space for fuel expansion.
 - g. Replace gasoline cap and tighten securely.
 - h. If gasoline is spilled, wipe it off the engine and equipment. Move machine to another area. Wait 5 minutes before starting the engine.

PREPARATION

1. Thoroughly inspect the area where the equipment is to be used. Remove all rocks, bottles, cans, or other foreign objects which could be picked up or thrown and cause personal injury or damage to the machine.

- i. Never store the machine or fuel container inside where there is an open flame, spark, or pilot light (e.g. furnace, water heater, space heater, clothes dryer, etc.)
 - j. To reduce a fire hazard, keep machine free of grass, leaves, or other debris build-up. Clean up oil fuel spillage and remove any fuel soaked debris.
 - k. Allow machine to cool at least 5 minutes before storing.
- 9. Never operate without either the inlet nozzle or optional hose attachment properly attached to the machine. Never attempt to attach or change either attachment while the engine is running.
 - 10. Keep all guards, deflectors and safety devices in place and operating properly.
 - 11. Keep your face and body back and to the side of the chipper chute while feeding material into the machine to avoid accidental kickback injuries.
 - 12. Never operate this machine without good visibility or light. Always be sure of your footing and keep a firm hold on the handles.
 - 13. Do not operate this machine on a gravel surface.
 - 14. Do not operate this machine while under the influence of alcohol or drugs.
 - 15. Muffler and engine become hot and can cause a burn. Do not touch.
 - 16. Never pick up or carry machine while the engine is running.

OPERATION

1. Do not put hands and feet near rotating parts or in the feeding chambers and discharge opening. Contact with the rotating impeller can amputate fingers, hands, and feet.
2. Before starting the machine, make sure the chipper chute, feed intake, and cutting chamber are empty and free of all debris.
3. Thoroughly inspect all material to be shredded and remove any metal, rocks, bottles, cans, or other foreign objects which could cause personal injury or damage to the machine.
4. If the impeller strikes a foreign object or if your machine should start making an unusual noise or vibration, immediately shut the engine off. Allow the impeller to come to a complete stop. Disconnect the spark plug wire, ground it against the engine and perform the following steps:
 - a. Inspect for damage.
 - b. Repair or replace any damaged parts.
 - c. Check for any loose parts and tighten to assure continued safe operation.
5. Do not allow an accumulation of processed material to build up in the discharge area. This can prevent proper discharge and result in kickback of material through the feed opening.
6. Do not attempt to shred or chip material larger than specified on the machine or in this manual. Personal injury or machine damage could result.
7. Never attempt to unclog either the feed intake or discharge opening while the engine is running. Shut the engine off, wait until all moving parts have stopped, disconnect the spark plug wire and ground it against the engine before clearing debris.
8. Never operate without vacuum bag and discharge chute properly attached to the machine. Never empty or change vacuum bag while the engine is running. Zippered end of vacuum bag must be kept closed at all times during operation.

MAINTENANCE AND STORAGE

1. Never tamper with safety devices. Check their proper operation regularly.
2. Check bolts and screws for proper tightness at frequent intervals to keep the machine in safe working condition. Also, visually inspect machine for any damage and repair, if needed.
3. Before cleaning, repairing, or inspecting, stop the engine and make certain the impeller and all moving parts have stopped. Disconnect the spark plug wire and ground it against the engine to prevent unintended starting.
4. Do not change the engine governor settings or overspeed the engine. The governor controls the maximum safe operating speed of the engine.
5. Maintain or replace safety and instruction labels, as necessary.
6. Follow this manual for safe loading, unloading, transporting, and storage of this machine.
7. Never store the machine or fuel container inside where there is an open flame, spark or pilot light such as a water heater, furnace, clothes dryer, etc.
8. Always refer to the operator's manual for proper instructions on off-season storage.
9. If the fuel tank has to be drained, do this outdoors.
10. Observe proper disposal laws and regulations for gas, oil, etc. to protect the environment.

ASSEMBLY

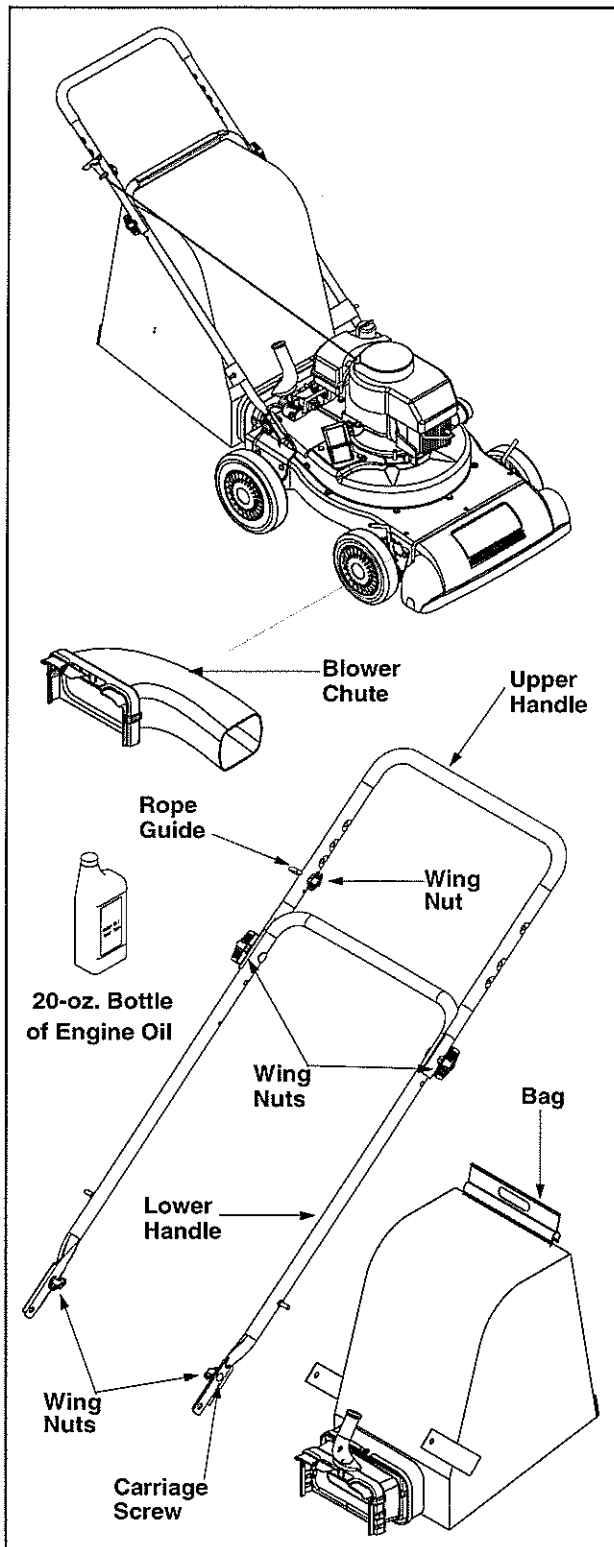


Figure 1

IMPORTANT: This unit is shipped **without gasoline or oil in the engine**. After assembly, see OPERATION section of this manual for proper fuel and engine oil fill-up.

NOTE: Reference to right and left hand side of the Yard Vacuum is observed from the operating position. See Figure 1.

This Yard Vacuum has been completely assembled at the factory, except for the handle, bag, and blower chute. These parts are shipped loose in the carton. A pair of safety glasses and a 20-oz. bottle of engine oil are also included in the carton. See Figure 1.

REMOVING UNIT FROM CARTON

- Cut the corners of the carton.
- Remove all loose parts.
- Remove packing material. Lift unit from the rear and discard foam blocks. Roll unit out of carton. Check carton thoroughly for loose parts.

LOOSE PARTS IN CARTON (See Figure 1)

- Handle Assembly
- Bag
- Blower Chute
- Safety Glasses (Not Shown)
- A 20-oz. Bottle of Engine Oil (may be located in bag)
- Operator's Manual

DISCONNECTING SPARK PLUG

Before proceeding with assembly of your new Yard Vacuum, disconnect the spark plug wire from the spark plug and ground onto the retaining post on the engine. This will prevent accidental starting of the engine. See Figure 2.

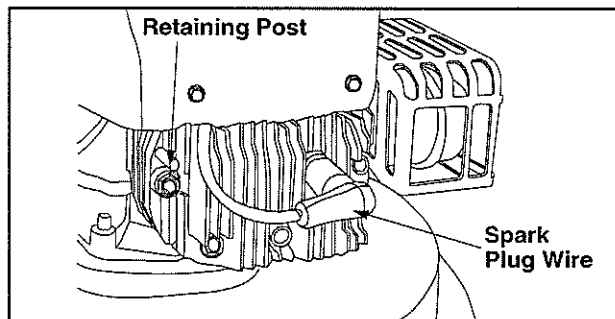


Figure 2

ATTACHING THE HANDLE

- Unfold the upper handle until it aligns with lower handle. Make sure the rope guide is on the right side of upper handle. See Figure 1.

- Secure the two handles by tightening the upper wing nuts (carriage bolts must be seated properly into the handle).
- Remove the hairpin clips from the handle brackets and the carriage bolts and wing nuts from the lower handle. See Figure 3.
- Place each bottom hole in lower handle over the pins on handle brackets and secure with hairpin clips.
- Insert carriage bolts thru upper hole in lower handle from the outside and secure with wing nuts.

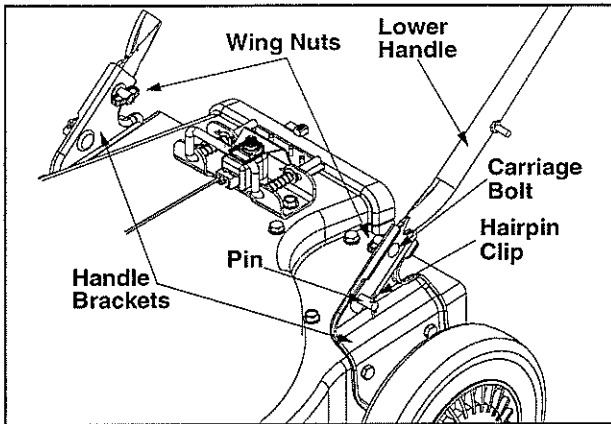


Figure 3

- Loosen the wing nut that secures the rope guide to the right side of upper handle.
- Pull the starter rope out of the engine slowly and slip the starter rope into the rope guide. Tighten the wing nut.

ATTACHING THE BAG

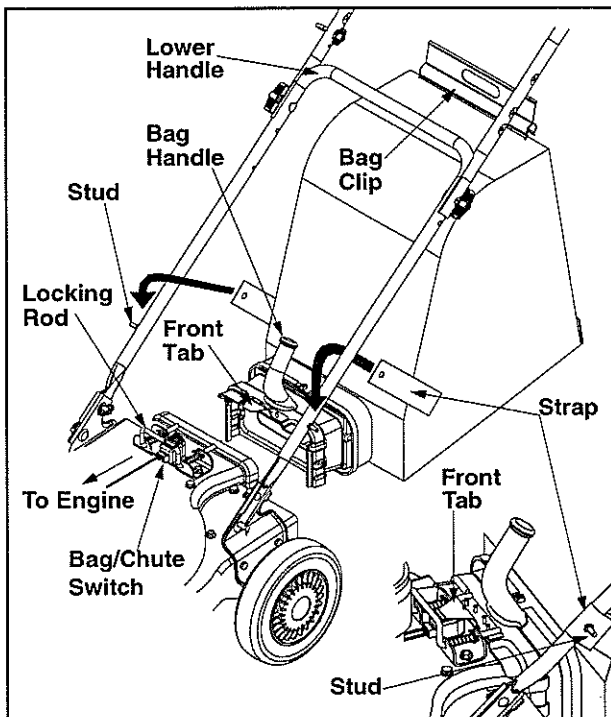


Figure 4

- Grasp bag handle with one hand and pull locking rod on mounting bracket with other hand toward engine. See Figure 4.
- Slip bag over the rim of the discharge opening and release locking rod to secure bag in place.
- Snap bag clip to the top of the lower handle.
- Place the lower straps on the bag **over the top** of lower handle, hooking them on the studs.

NOTE: The bag/chute switch button attached to the mounting bracket must be fully depressed by the tip of front tab on bag handle when securing the bag or engine will not start.

ATTACHING THE BLOWER CHUTE

NOTE: The bag must be removed before installing the blower chute.

- Grasp blower chute with one hand and pull locking rod on mounting bracket with other hand toward engine. See Figure 5.
- Slip blower chute **over rim** of discharge opening and release locking rod to secure chute in place.
- Raise the nozzle height to the highest setting when using the blower chute. Refer to nozzle height adjustment in the ADJUSTMENT section.

NOTE: The bag/chute switch button attached to the mounting bracket must be fully depressed by the tip of front tab on the blower chute or engine will not start.

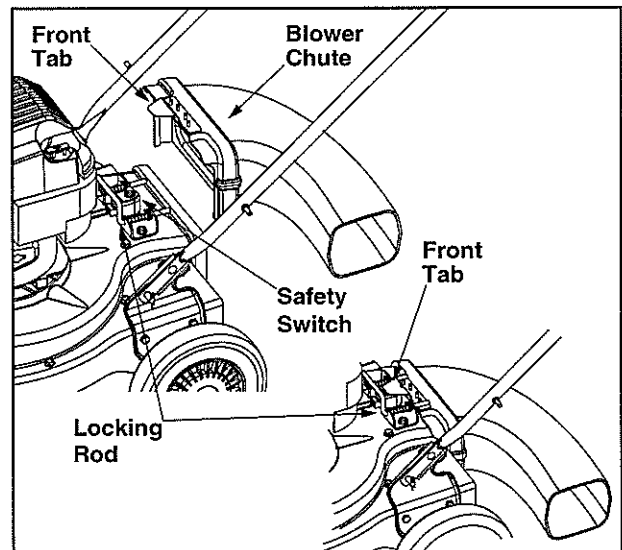


Figure 5

OPERATION

Know Your Yard Vacuum

Read this operator's manual and safety rules before operating your Yard Vacuum. Compare the illustrations below with your equipment to familiarize yourself with the location of various controls and adjustments. Save this manual for future reference.



The operation of any Yard Vacuum can result in foreign objects being thrown into the eyes, which can result in severe eye damage. **Always wear safety glasses**, provided with the Yard Vacuum, for operating this equipment or while performing any adjustments or repairs on it.

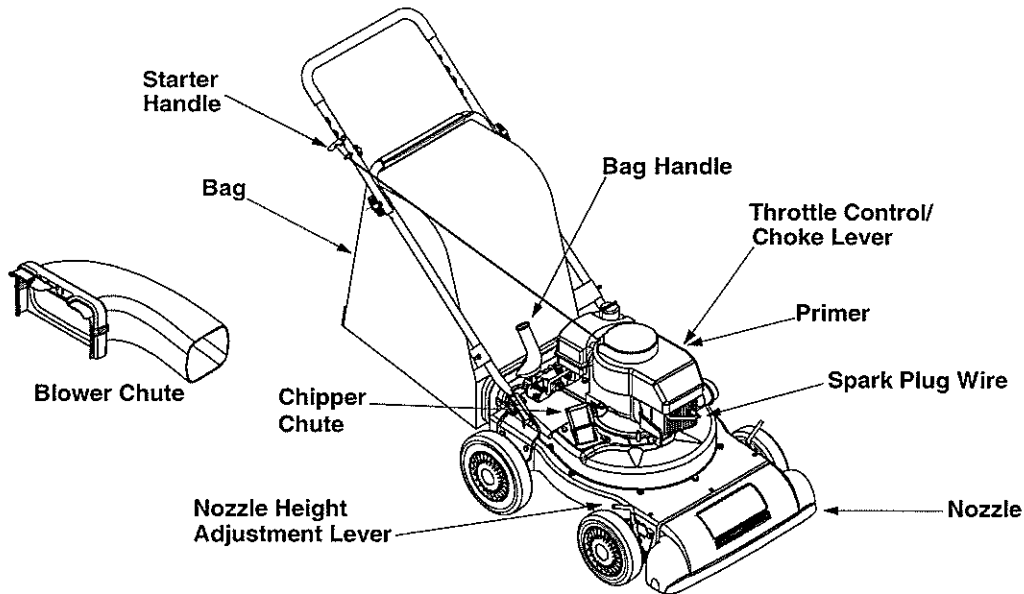


Figure 6

OPERATING CONTROLS (See Figure 6)

Chipper Chute

Allows twigs and small branches up to 1 1/2" in diameter to be fed into the impeller for chipping.

Nozzle

Yard waste such as leaves and pine needles can be vacuumed up through the nozzle for shredding.

Catcher Bag

Collects shredded material fed in through the chipper chute or vacuumed in through the nozzle.

Blower Chute

When attached to unit, the blower chute is used to blow or scatter yard waste such as leaves, pine needle, or small twigs across yard.

Bag Handle

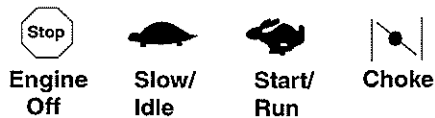
Used to grasp bag in order to assist in attaching, removing, and emptying bag.

Nozzle Height Adjustment Lever

Used to adjust the nozzle ground clearance ranging from 5/8" to 3 3/4".

Throttle Control / Choke Lever

This single lever controls the engine speed, stop function, and the choke of the carburetor. Through four separate positions on the lever from left to right, the operation is as follows:



Primer

The primer is used to assist in cold starting an engine.

Starter Handle

Used to start the engine.

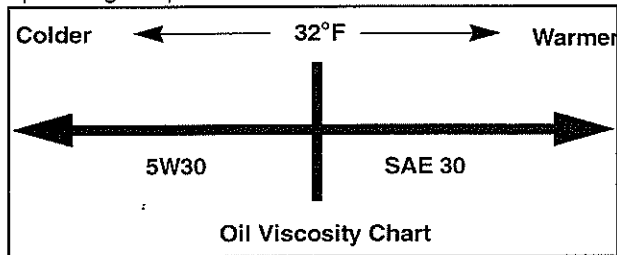
Meets ANSI safety standards

Craftsman Yard Vacuums conform to the safety standard of the American National Standards Institute (ANSI).

GAS AND OIL FILL-UP

Oil (one 20-oz. bottle shipped with unit)

Only use high quality detergent oil rated with API service classification SF, SG, or SH. Select the oil's SAE viscosity grade according to the expected operating temperature. Follow the chart below.



NOTE: Although multi-viscosity oils (5W30, 10W30, etc.) improve starting in cold weather, they will result in increased oil consumption when used above 32°F. Check your engine oil level more frequently to avoid possible engine damage from running low on oil.

- Remove oil fill dipstick.
- With the Yard Vacuum on level ground, use a funnel to fill engine with oil to FULL mark on dipstick. Capacity is approximately 20 oz. Be careful not to overfill. Overfilling will cause the engine to smoke profusely and will result in poor engine performance. The oil bottle packaged with your Yard Vacuum contains 20 oz. of oil.
- Check the oil level making certain not to rub the dipstick along the inside walls of the oil fill tube. This would result in a false dipstick reading. Refill to FULL mark on dipstick, if necessary. Replace dipstick and tighten.
- Check oil level three times prior to starting engine to be certain you've gotten an accurate dipstick reading. Running the engine with too little oil can result in permanent engine damage.

Gasoline

- Remove fuel cap from the fuel tank.
- Make sure the container from which you will pour the gasoline is clean and free from rust or foreign particles. Never use gasoline that may be stale from long periods of storage in its container. Gasoline that has been sitting for any period longer than four weeks should be considered stale.
- Fill fuel tank with clean, fresh, unleaded regular, unleaded premium or reformulated automotive gasoline only. DO NOT use Ethyl or high octane gasoline. Do not use gasoline containing METHANOL. Replace fuel cap.
- To avoid engine problems, the fuel system should be emptied before storage for 30 days or longer. Drain the gas tank, start the engine and let it run until the fuel lines and carburetor are empty. Use fresh fuel next season. See STORAGE section for additional information.



WARNING: Use extreme care when handling gasoline. Gasoline is extremely flammable and the vapors are explosive. Never fuel machine indoors or while the engine is hot or running. Extinguish cigarettes, cigars, pipes, and other sources of ignition.

- Check the fuel level periodically to avoid running out of gasoline while operating the Yard Vacuum. If the unit runs out of gas as it is chipping, it may be necessary to unclog the unit before it can be restarted. Refer to SERVICE AND ADJUSTMENT section.

TO STOP ENGINE

- Move throttle control lever to STOP or OFF position.
- Disconnect spark plug wire and ground it to the post to prevent accidental starting while the equipment is unattended.

TO START ENGINE



WARNING: Be sure no one other than the operator is standing near the Yard Vacuum while starting or operating. Do not operate this unit unless the bag or blower chute have been properly installed.

1. Attach spark plug wire and rubber boot to spark plug.
2. The bag/chute switch button must be fully depressed by the tip of front tab on bag handle or blower chute for engine to start.
3. Make sure bag/chute switch wire is connected to engine and properly grounded.
4. Gas tank should be filled 3/4 to full before starting.
5. **When temperature is above 32 degrees F:**
 - Move throttle control / choke level to START/RUN position.
 - Depress the primer bulb firmly with your thumb three times. Wait about two seconds between each push. Do not use the primer to restart a warm engine after a short shutdown. See Figure 7.

When temperature is below 32 degrees F:

- Move throttle control / choke lever on engine to CHOKE position. (A warm engine may not require choking.) See Figure 7.
- If not using choke to start engine, move throttle control / choke lever to START/RUN position.
- Depress the primer bulb firmly with your thumb three times. Wait about two seconds between each push.

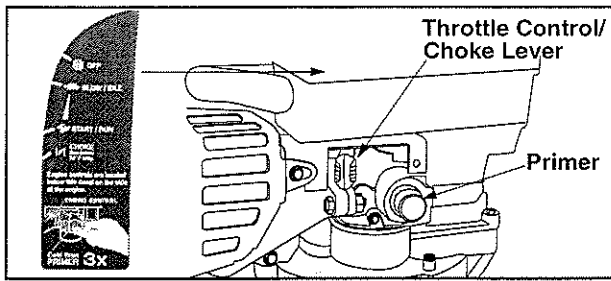


Figure 7

6. Standing behind the unit, grasp starter handle and pull rope out until you feel a drag.
7. Pull the rope with a rapid, continuous, full arm stroke. Keep a firm grip on the starter handle. Let the rope rewind slowly.
8. Repeat, if necessary, until engine starts. When engine starts, move throttle /choke lever gradually to START/RUN position.
9. If engine falters, move control lever to CHOKE position, then back to START/RUN position.
10. ALWAYS keep the throttle control in the START/RUN position when operating the Yard Vacuum.

TO EMPTY BAG

- Unhook bag straps from the lower handle and unsnap bag clip from top of the lower handle. See Figure 8.
- Grasp bag handle with one hand and pull lock rod on mounting bracket with other hand toward engine to release.
- Remove bag from over the rim of the discharge opening. Refer to Figure 4.
- Twist the two buttons on the back of the bag to unlock and empty contents. See Figure 8.
- Hold bag handle and bag clip while emptying the contents.

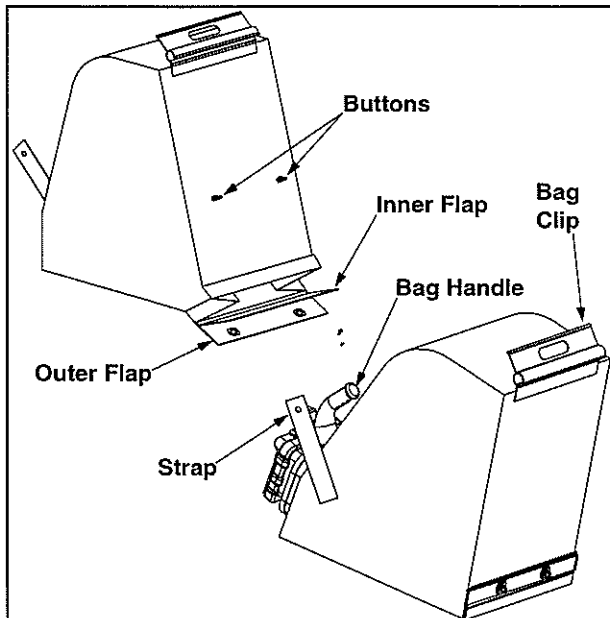


Figure 8

- Compress bag opening and fold inner flap over opening.
- Fold outer flap over inner flap and insert buttons on the bag through metal outlets.
- Twist the buttons to lock bag.

TO REMOVE BLOWER CHUTE

- Grasp blower chute with one hand and pull lock rod on mounting bracket with other hand toward engine to release. Refer to Figure 5.
- Remove blower chute from over the rim of the discharge opening.

OPERATION

Place both hands on top of upper handle to push unit over yard waste. Yard waste such as leaves and pine needles are vacuumed up through the nozzle and shredded by the flail blades on the impeller assembly and discharged into catcher bag or through blower chute. Do not attempt to shred or chip any material other than vegetation found in a normal yard (i.e. branches, leaves, twigs, etc.). Avoid fibrous plants such as tomato vines until they are thoroughly dried out. Material such as stalks or heavy branches up to 1 1/2" in diameter may be fed into the chipper chute. See Figure 9.

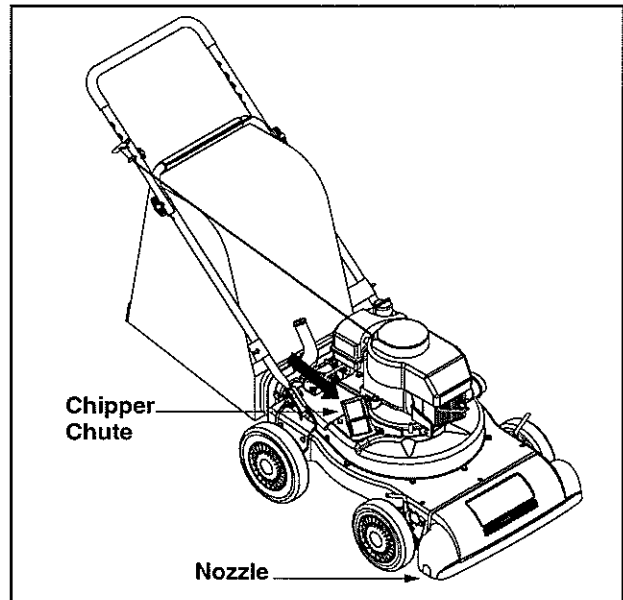


Figure 9



WARNING: Do not attempt to shred, chip, or vacuum any material larger than specified on the machine or in this manual. Personal injury or damage to the machine could result.

IMPORTANT: The flail screen located inside the housing in the discharge area. If the flail screen becomes clogged, stop engine and remove and clean as instructed in the SERVICE AND ADJUSTMENT section.

MAINTENANCE

MAINTENANCE SCHEDULE		Before each use	After each use	First 5 hours	Every 25 hours	Every 50 hours	Before storage
PRODUCT	Lubrication				✓		✓
	Clean equipment		✓				✓
ENGINE	Check engine oil	✓					
	Change engine oil			✓	✓		✓
	Service air cleaner				✓		
	Service spark plug					✓	✓
	Service muffler					✓	
	Clean engine				✓		✓

GENERAL RECOMMENDATIONS

- Always observe safety rules when performing any maintenance.
- The warranty on this Yard Vacuum does not cover items that have been subjected to operator abuse or negligence. To receive full value from the warranty, operator must maintain the equipment as instructed in this manual.
- Some adjustments will need to be made periodically to maintain your equipment properly.
- Follow the maintenance schedule.
- Periodically check all fasteners and make sure they are tight.



WARNING: Always stop the engine and disconnect and ground the spark plug wire before performing any maintenance or adjustments.

LUBRICATION

- **Wheels-** Place a few drops of SAE 30 oil on each shoulder screw once a season. Refer to •.
- **Nozzle height adjustment levers-** Lubricate nozzle height adjustment levers with light oil. Refer to Figure 6.
- **Locking Rod-** Lubricate the lock rod and compression springs which attach to the mounting bracket. Refer to Figure 4.

CLEAN EQUIPMENT

- Clean the Yard Vacuum thoroughly after each use.
- Wash the bag periodically with water. Allow to dry thoroughly in the shade.
- If the flail screen becomes clogged, remove and clean as instructed in the SERVICE AND ADJUSTMENT section.

NOTE: Cleaning with a forceful spray of water is not recommended as it could contaminate the fuel system.

CHECK ENGINE OIL

- Remove oil fill dipstick.
- Check oil level on dipstick. Level should be at FULL mark.
- Replace dipstick and tighten.

CHANGE ENGINE OIL

- Only use high quality detergent oil rated with API service classification SF, SG, or SH. Select the oil's SAE viscosity grade according to the expected operating temperature. Refer to operation section for viscosity chart.
- Stop engine and wait several minutes before checking oil level. With engine on level ground, the oil must be to FULL mark on dipstick.
- Change engine oil after the first five hours of operation, and every twenty-five hours thereafter.

TO DRAIN OIL

Drain oil while engine is warm. Follow the instructions given below.

- Drain the gas tank, start the engine and let it run until the fuel line and carburetor are empty.
- Remove oil fill dipstick.
- Tip unit on its side to drain through the oil fill tube.
- When engine is drained of all oil, refill with approximately 20 oz. of fresh oil. Refer to **Gas And Oil Fill-up** in OPERATION section.
- Replace dipstick.

SERVICE AIR CLEANER

The air cleaner prevents damaging dirt, dust, etc., from entering the carburetor and being forced into the engine and is important to engine life and performance. The air cleaner consists of a foam filter. **Never run** the engine without an air cleaner completely assembled.

To Service Air Cleaner:

- Remove foam filter from plastic housing on top of engine.
- Wash in water and detergent solution, and squeeze (do not twist) until all dirt is removed.
- Rinse thoroughly in clear water.
- Wrap in a clean cloth and squeeze (do not twist) until completely dry, or allow to air dry.
- Saturate with engine oil and squeeze to distribute oil and remove excess oil.
- Replace foam filter in plastic housing

NOTE: If the foam filter is torn or damaged in any way, replace it.



WARNING: WARNING: Temperature of muffler and nearby areas may exceed 150° F(65°C). Avoid these areas.

SERVICE SPARK PLUG

- Clean the spark plug and reset the gap to .030" at least once a season or every 50 hours of operation. See Figure 10. Spark plug replacement is recommended at the start of each season. Refer to engine parts list for correct spark plug type.

NOTE: Do not sandblast spark plug. Spark plug should be cleaned by scraping or wire brushing and washing with a commercial solvent.

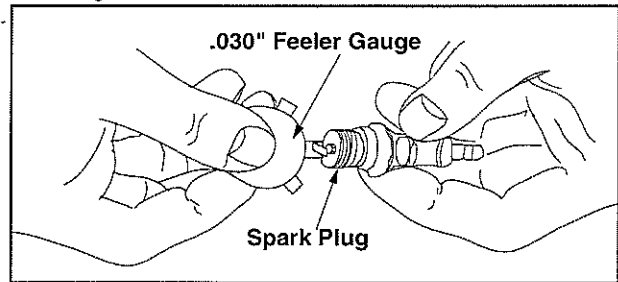


Figure 10

SERVICE MUFFLER

- Inspect muffler periodically, and replace if necessary.
- If your engine is equipped with a spark arrester screen assembly, remove after every 50 hours of use for cleaning and inspection. Replace if damaged.



WARNING: Do not operate the Yard Vacuum without a muffler or tamper with the exhaust system. Damaged mufflers or spark arresters could create a fire hazard.

CLEAN ENGINE

- Clean engine by removing dirt and debris with a cloth or brush.
- Frequently remove grass clippings, dirt, and debris from cooling fins, air intake screen, levers, and linkage. This will help ensure adequate cooling and engine speed.

SERVICE AND ADJUSTMENTS



WARNING: Do not at any time make any adjustment to the unit without first stopping engine and disconnecting spark plug wire.

NOZZLE HEIGHT ADJUSTMENT

The nozzle can be adjusted to any of five positions, ranging from 5/8" to 3 3/4" ground clearance. The nozzle height has to be adjusted according to the conditions. Move the height adjustment levers forward or backward to adjust the nozzle upward or downward. See Figure 11.

NOTE: In general, raise the nozzle height to vacuum a thick layer of leaves or to operate with the blower chute. Lower the nozzle height for smoother surfaces.

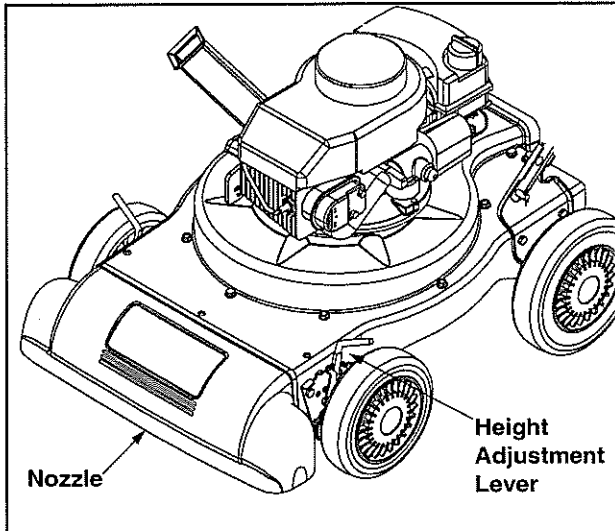


Figure 11

CARBURETOR ADJUSTMENT



WARNING: If any adjustments (e.g. carburetor) are made to the engine while the engine is running, keep clear of all moving parts. Be careful of heated surfaces and muffler.

The carburetor has been pre-set at the factory and should not require adjustment. If your engine does not operate properly due to suspected carburetor problems, take your Yard Vacuum to a Sears Service Center for repair and adjustment.

NOTE: A dirty air cleaner will cause the engine to run rough. Be certain air cleaner is clean and attached to the carburetor before adjusting carburetor.

ENGINE SPEED

The engine speed on your Yard Vacuum has been set at the factory. Do not attempt to increase the engine RPM. If you think that the engine is running

too fast or too slow, take your Yard Vacuum to the nearest Sears Service Center for repair and adjustment.



WARNING: Do not attempt to alter the engine speed by tampering with the engine's governor linkage. Doing so could result in serious personal injury and damage to the engine. The engine RPM has been set at the factory.

REMOVING THE FLAIL SCREEN

If the discharge area becomes clogged, remove the flail screen and clean area as follows.

- Stop the engine. Make certain the chipper shredder vacuum has come to a complete stop.
- **Disconnect and ground the spark plug wire** before unclogging the discharge chute.
- Remove the vacuum bag or blower chute from the unit as instructed in the OPERATION section to obtain access to flail screen. See Figure 12.

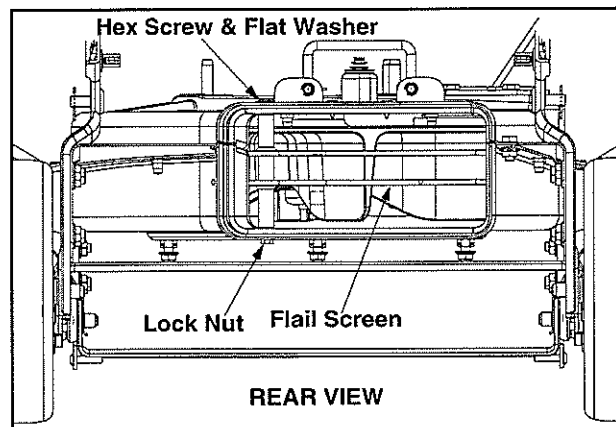


Figure 12

- Remove hex screw on right side of unit that attaches to the flail screen. See Figure 13.

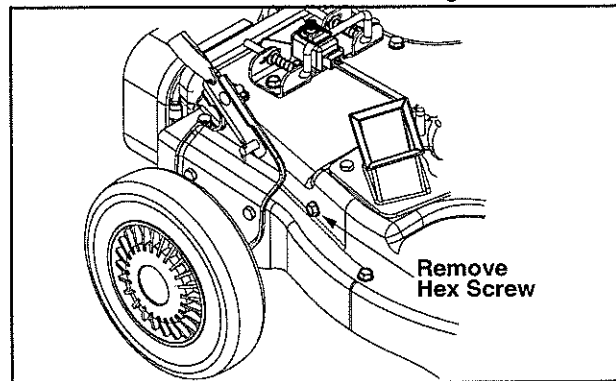


Figure 13

- Remove hex screw and flat washer on top of rear housing near mounting bracket and the lock nut that secures flail screen. See Figure 12.
- Remove and clean the screen by scraping or washing with water. Reinstall the screen.

SHARPENING OR REPLACING CHIPPER BLADE

Because the engine on this unit has a tapered crankshaft, a special impeller removal tool (part number 753-0638) is required to remove the impeller assembly. For further assistance, contact your Sears Service Center.

NOTE: When tipping the unit, empty the fuel tank and keep engine spark plug side up.

- **Disconnect and ground the spark plug wire.**
- Remove the front hubcaps, shoulder screws, wave washers, and bell washers that attach to the front wheels. See Figure 14.
- Remove the shoulder screws that go through the pivot arms and height bracket adjusters to the front support brace.

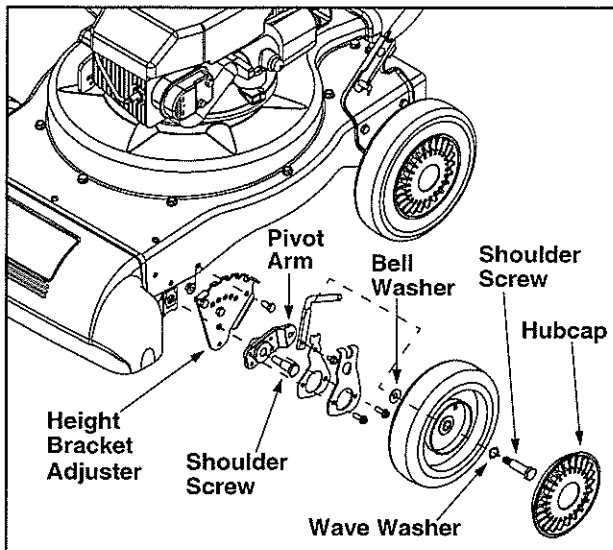


Figure 14

- Remove the three screws on the upper housing that secure the nozzle cover and the nine screws that secure the lower housing to the upper housing. See Figure 15.

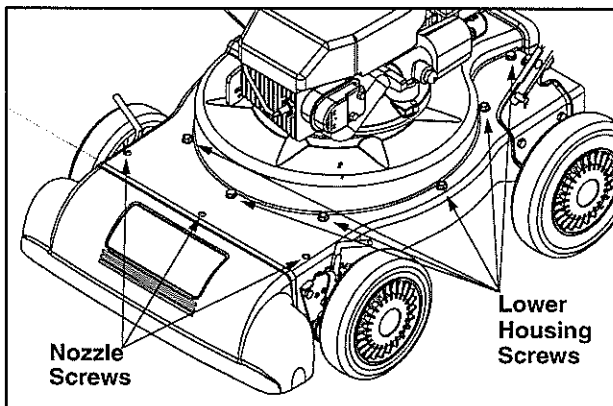


Figure 15

- Remove lock nut that secures flail screen to the lower housing. The flail screen does not have to be removed. Refer to Figure 12.
- Remove the hex bolt, lock washer, and flat washer that secure the impeller assembly to the crankshaft. See Figure 16.

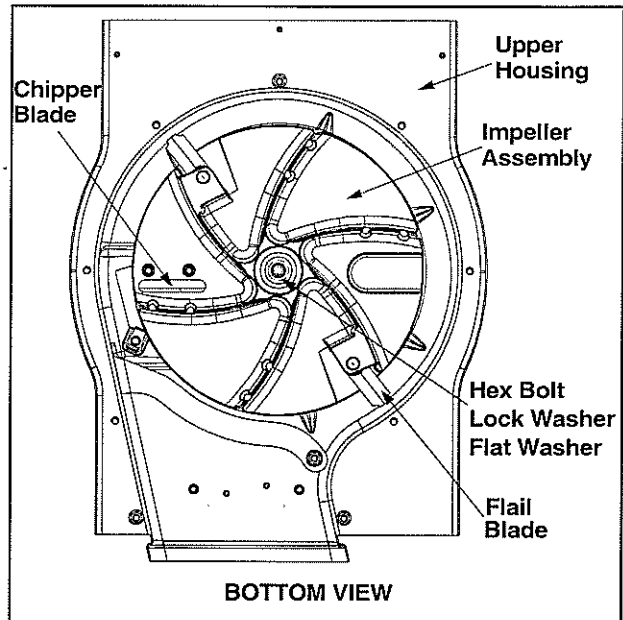


Figure 16

- Apply lubricant to the threads of impeller removal tool and then thread the tool into the crankshaft. Stop when the impeller assembly can move on the crankshaft.
- Remove the impeller assembly from the crankshaft. Unthread the impeller removal tool from the impeller assembly.
- Remove the chipper blade using a 3/16" allen wrench on the outside of the blade and 1/2" wrench on the underside of impeller assembly.
- Replace or sharpen chipper blade.
- When sharpening blade, protect hands by using gloves and follow the original angle of grind.
- Reassemble by performing the previous steps in reverse order.
 - Tighten blade screws to 210 - 250 in-lbs.
 - Tighten impeller bolt to 375 - 425 in-lbs.

NOTE: Make certain chipper blade is reassembled with the sharp edge facing upward. See Figure 17.

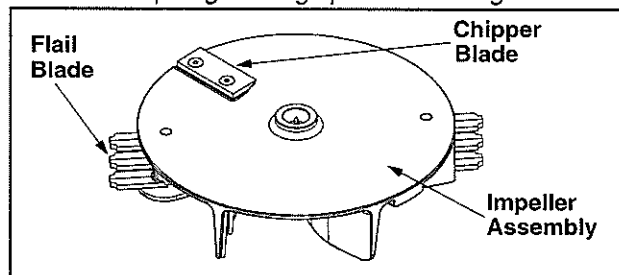


Figure 17

STORAGE

Prepare your Craftsman Yard Vacuum for storage at the end of the season or if the unit will not be used for 30 days or longer. A yearly check-up by your local Sears Service Center is a good way to ensure that the unit runs properly next season.

Yard Vacuum

- Clean the equipment thoroughly.
- Wipe equipment with an oiled rag to prevent rust. Use a light oil or silicone to wipe.
- Service the engine following instructions below.
- Store unit in a clean, dry area. Do not store next to corrosive materials such as fertilizer.

Engine

IMPORTANT: It is important to prevent gum deposits from forming in essential fuel system parts such as the carburetor, fuel filter, fuel hose, or tank during storage. Also, alcohol blended fuels (called gasohol or using ethanol or methanol) can attract moisture which leads to separation and formation of acids during storage. Acidic gas can damage the fuel system of an engine while in storage.

To avoid engine problems, the fuel system should be emptied before storage of 30 days or longer. Follow these instructions:

- Drain the fuel tank.
- Start the engine and let it run until the fuel lines and carburetor are empty.
- Drain carburetor.
- Never use engine or carburetor cleaner products in the fuel tank or permanent damage may occur.

NOTE: Fuel stabilizer is an acceptable alternative in minimizing the formation of fuel gum deposits during storage.

- Add stabilizer to gasoline in fuel tank or storage container.
- Always follow the mix ratio found on stabilizer container.
- Run engine at least 10 minutes after adding stabilizer to allow the stabilizer to reach the carburetor.
- Do not drain the gas tank and carburetor if using fuel stabilizer. Drain all the oil from the crankcase (this should be done after the engine has been operated and is still warm) and refill the crankcase with fresh oil.

If you have drained the fuel tank, protect the inside of the engine as follows:

- Remove spark plug, pour approximately 1/2 ounce (approximately one tablespoon) of engine oil into cylinder and crank slowly to distribute oil.
- Replace spark plug.

Other

- Do not store gasoline from one season to another.
- Replace the gasoline can if it starts to rust. Rust and/or dirt in the gasoline will cause problems.
- Store unit in a clean, dry area. Do not store next to corrosive materials, such as fertilizer.

NOTE: If storing in an unventilated or metal storage shed, be certain to rustproof the equipment by coating with a light oil or silicone.

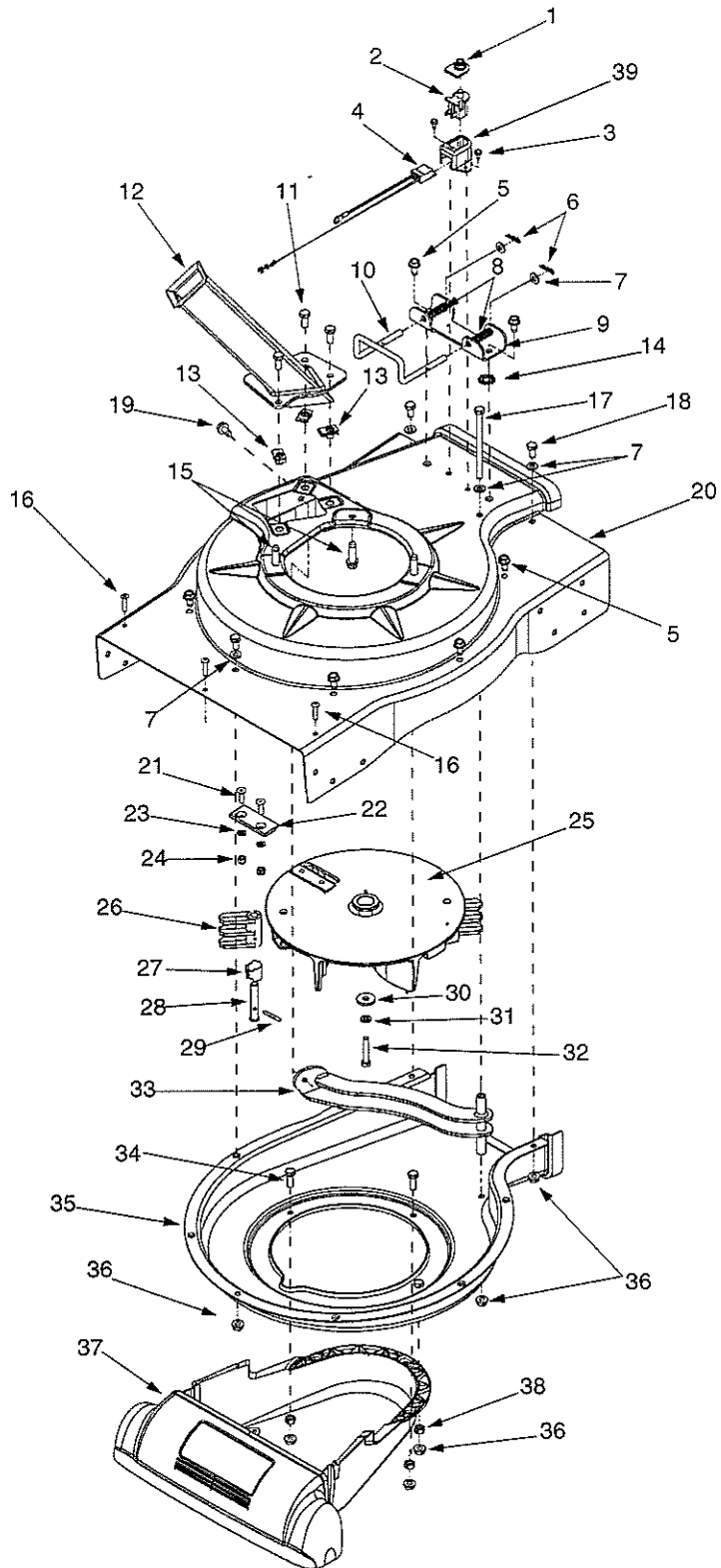
TROUBLESHOOTING

Problem	Possible Cause(s)	Corrective Action
Engine fails to start	<ol style="list-style-type: none"> 1. Fuel tank empty or stale fuel. 2. Spark plug wire disconnected. 3. Cannot pull recoil cord. 4. Choke not in ON position. 5. Faulty spark plug. 6. Safety switch not depressed. 7. Safety switch wire is not connected to engine or not properly grounded. 	<ol style="list-style-type: none"> 1. Fill tank with clean, fresh gasoline. Fuel will not last over thirty days unless a fuel stabilizer is added. 2. Connect wire to spark plug. 3. Obstruction lodged in impeller. Disconnect spark plug wire and remove lodged object. 4. Move CHOKE to ON position. 5. Clean, adjust gap or replace. 6. Safety switch must be depressed by the front tab on the bag handle when securing the bag. 7. Connect safety switch wire to engine connector and ground to mounting bracket.
Loss of power; operation erratic	<ol style="list-style-type: none"> 1. Spark plug wire loose. 2. Unit running on CHOKE. 3. Blocked fuel line or stale fuel. 4. Water or dirt in fuel system. 5. Carburetor out of adjustment. 6. Low engine RPM. 	<ol style="list-style-type: none"> 1. Connect and tighten spark plug wire. 2. Move choke lever to OFF position. 3. Clean fuel line; fill tank with clean fresh gasoline. Fuel will not last over thirty days unless a fuel stabilizer is used. 4. Disconnect fuel line at carburetor to drain fuel tank. Refill with fresh fuel. 5. Contact your Sears Service Center. 6. Always run engine at full throttle.
Too much vibration	<ol style="list-style-type: none"> 1. Loose parts or damaged impeller. 	<ol style="list-style-type: none"> 1. Stop engine immediately and disconnect spark plug wire. Have unit serviced by a Sears Service Center.
Engine overheats	<ol style="list-style-type: none"> 1. Carburetor not adjusted 2. Engine oil level low 	<ol style="list-style-type: none"> 1. Contact your Sears Service Center. 2. Fill crankcase with proper selection of oil.
Unit does not discharge	<ol style="list-style-type: none"> 1. Discharge chute clogged. 2. Foreign object lodged in impeller. 3. Low engine RPM. 4. Vacuum bag is full. 	<ol style="list-style-type: none"> 1. Stop engine immediately and disconnect spark plug wire. Clean flail screen and inside of discharge opening. See Maintenance section of this manual. 2. Stop engine immediately and disconnect spark plug wire. Remove lodged object. 3. Always run engine at full throttle. 4. Empty bag.
Rate of discharge slows considerably or composition of discharged material changes	<ol style="list-style-type: none"> 1. Low engine RPM. 2. Chipper blade dull. 	<ol style="list-style-type: none"> 1. Always run engine at full throttle. 2. Replace chipper blade or see your Sears Service Center.

NOTE: For repairs beyond the minor adjustments listed above, please contact your local Sears Service Center.

PARTS LIST

Sears Craftsman 4.5 H.P. Yard Vacuum Model 247.77010



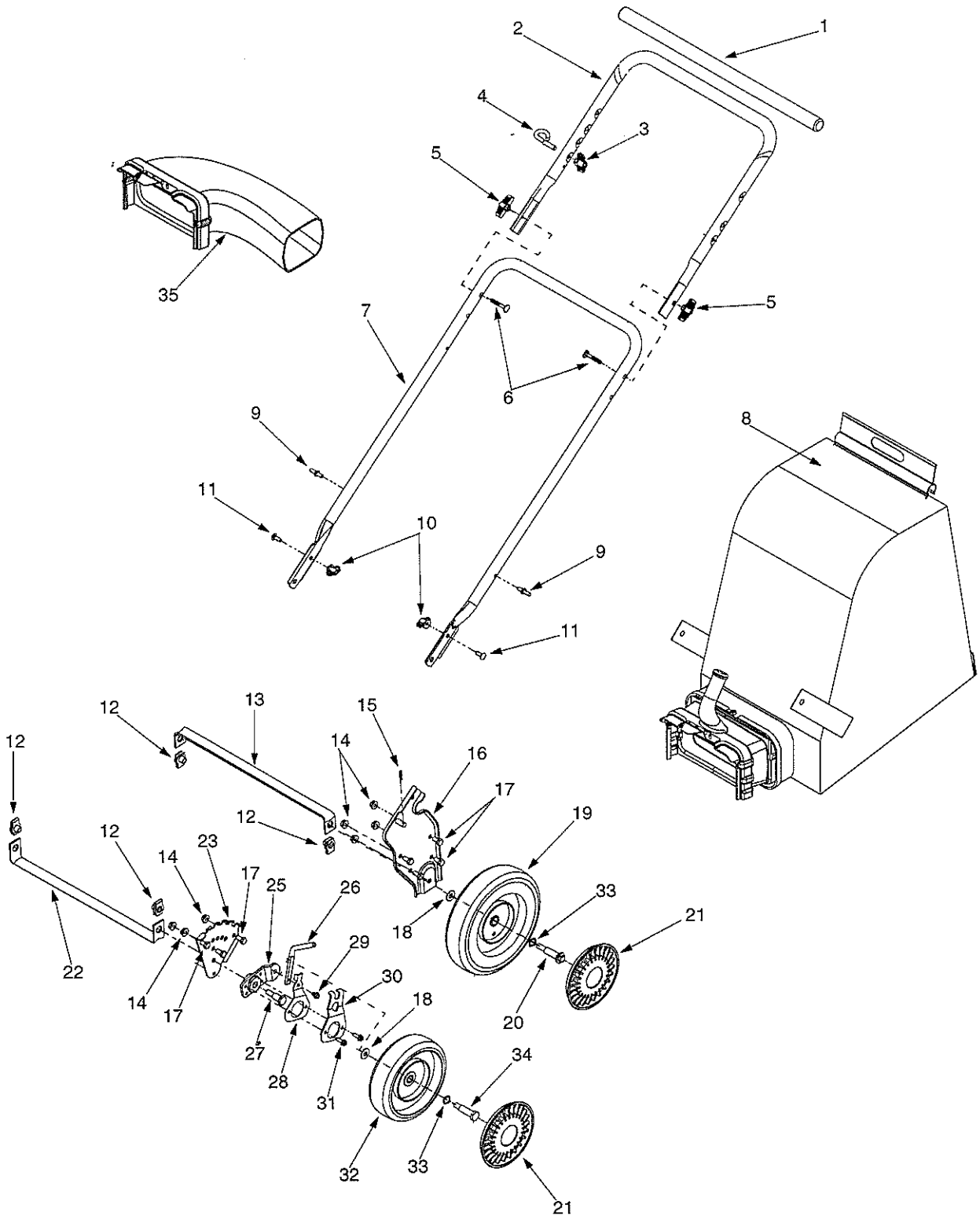
Sears Craftsman 4.5 H.P. Yard Vacuum Model 247.77010

Ref. No.	Part No.	Part Description	Ref. No.	Part No.	Part Description
1.	725-1700	Switch Cover	21.	710-1054	Hex Screw 5/16-24 x 1.0
2.	725-3166	Safety Switch	22.	781-0490	Chipper Blade
3.	710-0224	Hex Washer Screw #10-16 x .50	23.	736-0119	Lock Washer 5/16
4.	629-0920	Wire Harness	24.	712-0411	Hex Lock Nut 5/16-24
5.	710-0604A	Hex Washer Screw 5/16-18 x .625	25.	681-0152	Impeller Assembly
6.	714-0104	Cotter Pin	26.	719-0329	Flail Blade
7.	736-0264	Flat Washer.330 ID x.630 OD	27.	781-0735	Pin Clip
8.	732-0962	Compression Spring	28.	711-1401	Clevis Pin
9.	781-0778	Mounting Bracket	29.	715-0166	Spiral Pin
10.	747-1153	Lock Rod	30.	736-0247	Flat Washer.375 ID x 1.25 OD
11.	710-3008	Hex Cap Screw 5/16-18 x .75	31.	736-0217	Lock Washer 3/8
12.	681-0122	Chipper Chute Assembly	32.	710-0818	Hex Cap Screw 3/8-24 x 2.0
13.	726-0454	U-Clip Lock Nut 5/16-18	33.	681-0154	Screen Assembly
14.	736-0607	External Lock Washer 5/16	34.	710-3038	Hex Cap Screw 5/16-18 x .875
15.	710-0502A	Hex Washer Screw 3/8-16 x 1.25	35.	781-0721	Lower Housing
16.	710-0969	Screw #12-16 x 1.0	36.	712-3004A	Lock Nut 5/16-18
17.	710-3195	Hex Cap Screw 5/16-18 x 4.5	37.	731-1905	Nozzle Cover
18.	710-3025	Hex Cap Screw 5/16-18 x .625	38.	712-0158	Lock Nut 5/16-18
19.	710-0604A	Hex Washer Screw 5/16-18 x .625	39.	731-1613	Safety Switch Cover
20.	781-0720	Upper Housing			

NOTE: For **paint**ed parts, please refer to the list of color codes below. Please add the applicable color code, wherever needed, to the part number to order a replacement part. For instance, if a part, numbered 700-xxxx, is painted polo green, the part number to order would be 700-xxxx-0689.

Polo Green: 0689
 Oyster Grey: 0662
 Powder Black: 0637

Sears Craftsman 4.5 H.P. Yard Vacuum Model 247.77010



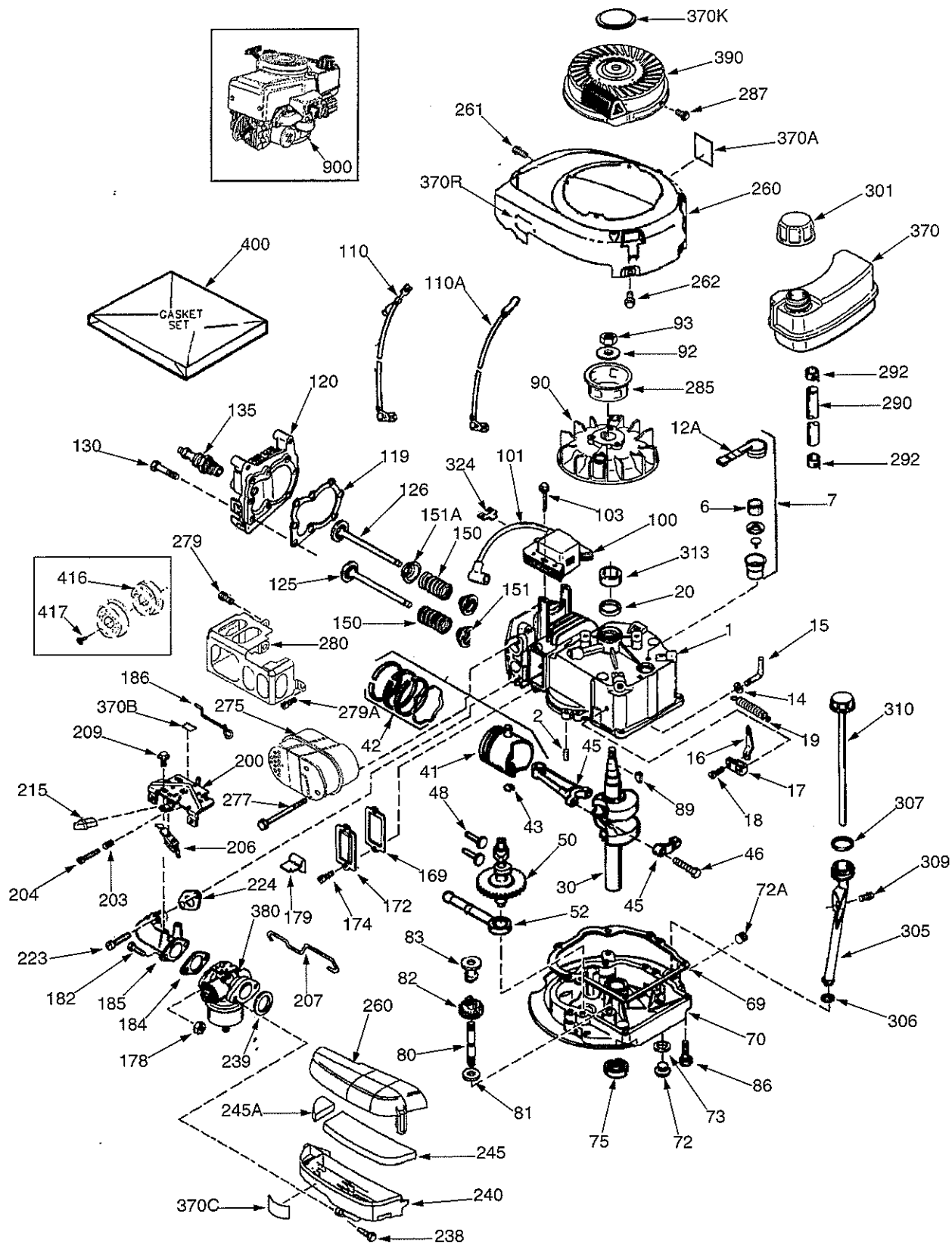
Sears Craftsman 4.5 H.P. Yard Vacuum Model 247.77010

Ref. No.	Part No.	Part Description	Ref. No.	Part No.	Part Description
1.	720-0295	Foam Grip	18.	736-0105	Bell Washer.401 ID x.870 OD
2.	749-0438C	Upper Handle	19.	734-1992	Wheel 9 x 2
3.	720-0279	Knob	20.	738-1015	Shoulder Screw 3/8-16
4.	710-1205	Eye Bolt	21.	731-0981A	Hubcap
5.	720-0276	Handle Knob 5/16-18	22.	781-0725	Front Wheel Support Brace
6.	710-1174	Carriage Bolt	23.	781-0765	Hgt Bracket Adjuster LH
7.	749-0907A	Lower Handle		781-0766	Hgt Bracket Adj RH (Not Shown)
8.	664-0094	Bag Assembly	25.	748-0417	Pivot Arm
9.	711-1293	Studs	26.	747-1100	Handle Height Adjuster
10.	712-0397	Wing Nut 1/4-20	27.	738-1017	Shoulder Screw 3/8-16
11.	710-0703	Carriage Screw 1/4-20 x .75	28.	732-0864	Height Adjuster Plate Spring
12.	726-0453	Lock U-Clip Nut 3/8-16	29.	710-0653	Hex Washer Screw 1/4-20 x .375
13.	781-0777	Rear Wheel Support Brace	30.	782-0578	Spring Lever Support Bracket
14.	712-3004A	Flange Lock Nut 5/16-18	31.	710-0642	Hex Washer Screw 1/4-20 x .75
15.	714-0104	Cotter Pin	32.	734-1978	Wheel 8 x 2
16.	681-0155	Handle Bracket Ass'y LH	33.	736-0232	Wave Washer .531 ID x .781 OD
	681-0156	Hndle Brkt Ass'y RH (Not Shown)	34.	738-0213	Shoulder Screw
17.	710-3025	Hex Cap Screw 5/16-18 x .625	35.	631-0090	Blower Chute Assembly

NOTE: For painted parts, please refer to the list of color codes below. Please add the applicable color code, wherever needed, to the part number to order a replacement part. For instance, if a part, numbered 700-xxxx, is painted polo green, the part number to order would be 700-xxxx-0689.

Polo Green: 0689
 Oyster Grey: 0662
 Powder Black: 0637

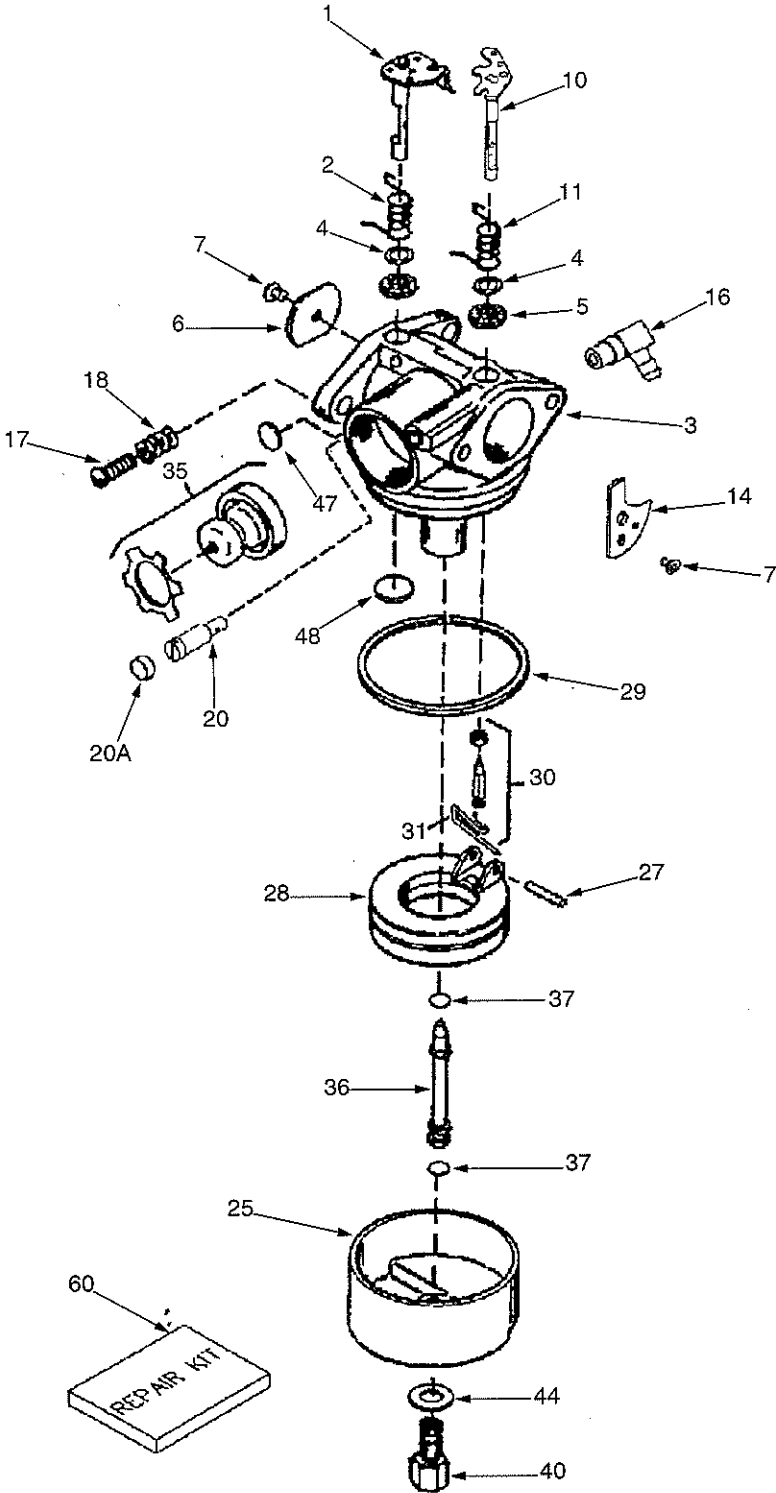
Sears Craftsman 4.5 H.P. Engine Model No. 143.014500
 For Yard Vacuum Model 247.77010



**Sears Craftsman 4.5 H.P. Engine Model No. 143.014500
For Yard Vacuum Model 247.77010**

Ref. No.	Part No.	Part Description	Ref. No.	Part No.	Part Description
1.	37266	Cylinder	174.	30200	Screw 10-24 x 9/16"
2.	26727	Dowel Pin	178.	29752	Nut & Lock Washer 1/4-28
6.	33734	Breather Element	179.	30593	Retainer Clip
7.	37247	Breather Ass'y	182.	6201	Screw 1/4-28 x 7/8"
12A.	36558	Breather Cover & Tube	184.	26756	Carburetor To Intake Pipe Gasket
14.	28277	Washer	185.	36785	Intake Pipe
15.	30589	Governor Rod	186.	34337	Governor Link
16.	34839A	Governor Lever	200.	32264A	Control Bracket
17.	31335	Governor Lever Clamp	203.	31342	Compression Spring
18.	651018	Torx Screw 8-32 x 19/64"	204.	651029	Torx Screw 5-40 x 7/16"
19.	36281	Extension Spring	206.	610973	Terminal
20.	32600	Oil Seal	207.	34336	Throttle Link
30.	37527	Crankshaft	209.	30200	Screw 10-24 x 9/16"
40.	40027	Piston, Pin & Ring Set (Std)	215.	32410	Control Knob
	40028	Piston, Pin & Ring Set (.010" OS)	223.	650451	Screw 1/4-20 x 1"
41.	40025	Piston & Pin Ass'y (Std)	224.	36786	Intake Pipe Gasket
	40026	Piston & Pin Ass'y (.010" OS)	238.	650806	Screw 10-32 x 1/2"
42.	40006	Ring Set (Std)	239.	34338	Air Cleaner Gasket
	40007	Ring Set (.010" OS)	240.	37115	Air Cleaner Body
43.	20381	Piston Pin Retaining Ring	245.	37116	Air Cleaner Filter
45.	36777	Connecting Rod Ass'y	245A.	37117	Pre-Air Cleaner Filter
46.	32610A	Connecting Rod Bolt	250.	37118	Air Cleaner Cover
48.	27241	Valve Lifter	260.	37151	Blower Housing
50.	37460	Camshaft	261.	30200	Screw 10-24 x 9/16"
52.	29914	Oil Pump Ass'y	262.	650831	Screw 1/4-20 x 1/2"
69.	35261	Mounting Flange Gasket	275.	36790A	Muffler
70.	36249B	Mounting Flange	277.	650988	Screw 1/4-20 x 2-5/16"
72.	30572	Oil Drain Plug	279.	650737	Screw 1/4-20 x 1/2"
72A.	28534	Oil Drain Plug	279A.	650902	Screw 10-32 x 7/16"
73.	28833	Drain Plug Gasket	280.	37171A	Heat Shield
75.	27897	Oil Seal	285.	35000A	Starter Cup
80.	30574A	Governor Shaft	287.	650926	Screw 8-32 x 21-64"
81.	30590A	Washer	290.	34357	Fuel Line
82.	30591	Governor Gear Ass'y	292.	26460	Fuel Line Clamp
83.	30588A	Governor Spool	300.	35586	Fuel Tank
86.	650488	Screw 1/4-20 x 1-1/4	301.	36246	Fuel Cap
89.	611004	Flywheel Key	305.	35577	Oil Fill Tube
90.	611112	Flywheel	306.	36996	O-Ring
92.	650815	Bell Washer	307.	35499	O-Ring
93.	650816	Flywheel Nut	309.	650562	Screw 10-32 x 1/2"
100.	34443C	Solid State Ignition	310.	35578	Dipstick
101.	610118	Spark Plug Cover	313.	34080	Spacer
103.	651007	Torx Screw 10-24 x 15/16"	324.	33177	Terminal
104.	37480	Cam Bushing	370.	37269	4.5 HP Label
110.	37574	Ground Wire	370A.	36261	Lubrication Label
110A.	37331	Ground Wire	370B.	36507	Control Label
119.	36787	Cylinder Head Gasket	370C.	37505	Primer Label
120.	36825	Cylinder Head	370K.	36695	Starter Label
125.	37288	Exhaust Valve	370R.	37317	Warning Label
126.	37289	Intake Valve	370S.	37504	Primer Label
130.	6021A	Screw 5/16-18 x 1-1/2"	380.	640278	Carburetor
135.	35395	Resistor Spark Plug	390.	590737	Rewind Starter
150.	31672	Valve Spring	400.	36792B	Gasket Set
151.	31673	Valve Spring Cap	416.	36085	Spark Arrestor
151A.	40017	Intake Valve Seal	417.	650821	Screw 10-32 x 1/2"
169.	36783	Valve Cover Gasket	900.	750856A	Short Block
172.	36784	Valve Cover			

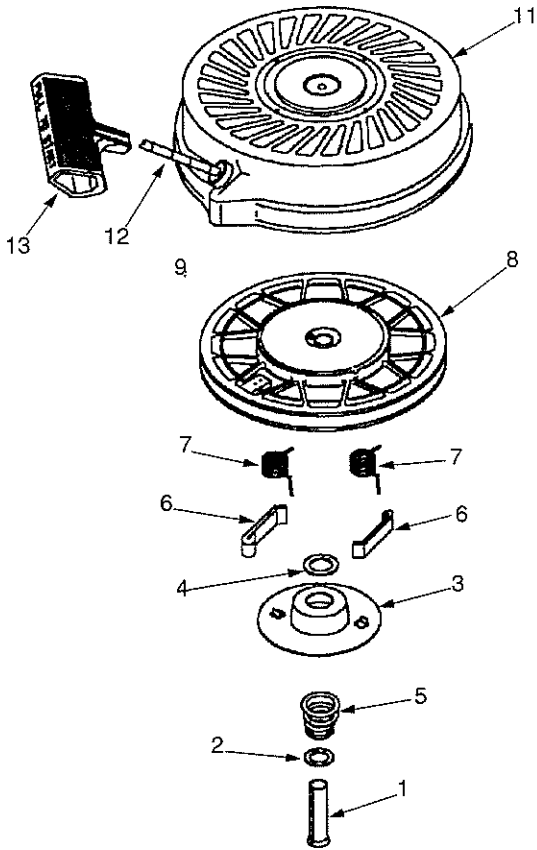
Sears Craftsman 4.5 H.P. Engine Model No. 143.014500
 For Yard Vacuum Model 247.77010



**Sears Craftsman 4.5 H.P. Engine Model No. 143.014500
For Yard Vacuum Model 247.77010**

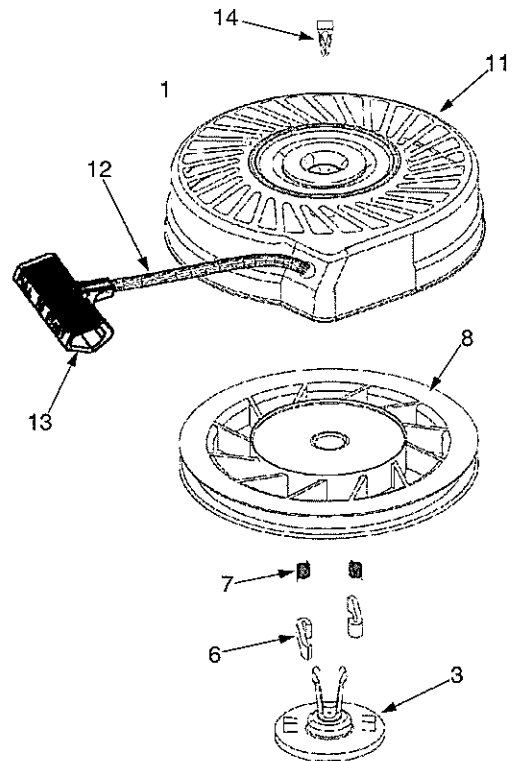
Ref. No.	Part No.	Part Description	Ref. No.	Part No.	Part Description
1.	631615	Throttle Shaft & Lever Assembly	25.	631867	Float Bowl
2.	631767	Throttle Return Spring	27.	631024	Float Shaft
3.	640278	Carburetor	28.	632019	Float
4.	631184	Dust Seal Washer	29.	631028	Float Bowl O-Ring
5.	631183	Dust Seal	30.	631021	Inlet Needle, Seat, & Clip
6.	640070	Throttle Shutter	31.	631022	Spring Clip
7.	650506	Shutter Screw	35.	640259	Primer Bulb
10.	630973	Choke Shaft & Lever Assembly	36.	632735	Main Nozzle Tube
11.	632045	Choke Return Spring	37.	632547	Main Nozzle Tube O-Ring
14.	640150	Choke Shutter	40.	640050	High Speed Bowl Nut
16.	631807	Fuel Fitting	44.	27110A	Bowl Nut Washer
17.	651025	Idle Speed Screw	47.	630748	Idle Mixture Well Plug
18.	630766	Tension Spring	48.	631027	Atmospheric Vent Plug
20.	640027	Idle Restrictor Screw	60.	632760	Repair Kit
20A.	640053	Idle Jet Cap			

Sears Craftsman 4.5 H.P. Engine Model No. 143.014500
 For Yard Vacuum Model 247.77010



Ref. No.	Part No.	Part Description
1.	590599A	Spring Pin
2.	590600	Washer
3.	590696	Retainer
4.	590601	Washer
5.	590697	Brake Spring
6.	590698	Starter Dog
7.	590699	Dog Spring
8.	590700	Pulley & Rewind Spring Ass'y
9.	590694	Recoil Starter
11.	590695	Starter Housing Ass'y
12.	590535	Starter Rope
13.	590701	Starter Handle

Ref. No.	Part No.	Part Description
1.	590737	Rewind Starter
3.	590740	Retainer
6.	590616	Starter Dog
7.	590617	Dog Spring
8.	590618A	Pulley & Rewind Spring Ass'y
11.	590687A	Starter Housing Ass'y
12.	590535	Starter Rope
13.	590701	Starter Handle
14.	590760	Spring Clip



CONTENIDO

Contenido	Página	Contenido	Página
Garantía	2	Servicio y ajustes	12
Seguridad	3	Almacenamiento	14
Montaje	5	Localización de averías	15
Operación	7	Lista de repuestos	16
Mantenimiento	10		

GARANTIA

Garantía de un año sobre la aspiradora para jardines Craftsman

Por un período de un año a partir de la fecha de compra, Sears reparará gratis cualquier defecto en el material o fabricación de esta aspiradora para jardines Craftsman, siempre y cuando haya sido mantenida, lubricada y afinada de acuerdo a las instrucciones de manejo y mantenimiento dadas en el manual del operador.

Esta garantía excluye las cuchillas, cuchillas astilladoras, flagelos, filtros de aire, bujías, recolectores y neumáticos, consideradas piezas consumibles que se gastan durante el uso normal.

LA GARANTIA DE SERVICIO ESTA DISPONIBLE PONIENDOSE EN CONTACTO CON EL CENTRO DE SERVICIO SEARS MAS CERCANO EN EE.UU. ESTA GARANTIA TIENE VALIDEZ SOLAMENTE MIENTRAS EL PRODUCTO SE ENCUENTRA EN USO EN LOS ESTADOS UNIDOS.

Esta garantía le da derechos legales específicos, y usted puede tener otros derechos los cuales varían de un estado a otro.

Sears, Roebuck and Co., D/817WA, Hoffman Estates, Il 60179

ASPIRADORA PARA JARDINES

ATENCION: Antes de usar este producto, lea este manual y respete todas las reglas de seguridad e instrucciones de manejo.

ESPECIFICACIONES DEL PRODUCTO		
Potencia:	4.5 caballos de fuerza	Número de modelo 247.77010
Tipo de aceite de motor	SAE 30	Número de serie.....
Capacidad de aceite de motor	20 onzas	Fecha de compra.....
Capacidad de combustible:	1 1/2 cuartos de galón	Anote el número de serie y la fecha de compra y guárdelos en un lugar seguro para usar de referencia en el futuro.
Bujía	Champion RJ-19LM	
Distancia entre electrodos		

SEGURIDAD



ADVERTENCIA: Este símbolo indica instrucciones de seguridad muy importantes las que, si no se siguen, podrían poner en peligro la seguridad personal y/o causar daños físicos. Antes de intentar manejar esta aspiradora para jardines, se debe leer y seguir todas las instrucciones que aparecen en este manual. Si no se cumplen estas instrucciones se corre el riesgo de sufrir lesiones. Cuando en el manual aparece este símbolo, respetar su advertencia.

ADVERTENCIA: El gas de escape emitido por el motor de esta máquina contiene componentes químicos que en el Estado de California son considerados como causantes de cáncer, defectos de nacimiento u otros daños a los órganos de la reproducción.

ADVERTENCIA: La aspiradora para jardines fue fabricada para ser manejada de acuerdo a las reglas de seguridad descritas en este manual. Como sucede con cualquier tipo de equipo motorizado, el descuido o error de parte del operador puede tener como resultado graves lesiones. Esta máquina es capaz de amputar dedos y manos y lanzar objetos con fuerza. Si no se siguen las instrucciones de seguridad siguientes se está expuesto a sufrir graves lesiones o la muerte.

OPERACION EN GENERAL

- Leer todo este manual del operador cuidadosamente antes de intentar armar la máquina. Leer, comprender y seguir todas las instrucciones que se encuentran en la máquina y en el manual (manuales) antes de manejarla. Aprender completamente el manejo de los controles y el uso correcto de la máquina antes de manejarla. Guardar este manual en un lugar seguro para usarlo como un libro de consulta en el futuro y cuando sea necesario pedir piezas de repuesto.
- La aspiradora para jardines es una herramienta muy potente, no es un juguete. Por lo tanto, actuar con sumo cuidado en todo momento. La máquina fue diseñada para astillar, triturar, aspirar y soplar (cuando está equipada con el accesorio) la vegetación encontrada en un jardín o patio normal. No se debe usar para ningún otro propósito.
- No dejar nunca que niños menores de 16 años de edad manejen esta máquina. Los niños mayores de 16 años siempre deben manejarla bajo la supervisión de un adulto. Solamente debe permitírseles manejar esta máquina a las personas responsables que conozcan bien estas reglas de seguridad de manejo.
- Mantener el lugar de trabajo despejado de personas, especialmente niños pequeños. Apagar el motor cuando se encuentren cerca de la máquina.
- Cuando se esté introduciendo material a este equipo, tener mucho cuidado de no incluir pedazos de metal, rocas, botellas, latas u otros objetos extraños. Se podría causar lesiones personales o dañar la máquina.
- Siempre usar anteojos o gafas de seguridad, durante el manejo y mientras se hacen ajustes o reparaciones, para protegerse los ojos contra objetos extraños que puedan ser lanzados por la máquina.
- Usar zapatos de trabajo gruesos y con suela áspera, y pantalones y camisa bien ceñidos. Se recomienda usar camisas y pantalones que cubran los brazos y las piernas, y zapatos con puntas de acero. No usar ropa suelta o joyas, y atarse el cabello más arriba de los hombros. Pueden quedar atrapados en las piezas en movimiento. Nunca manejar la máquina descalzo, con sandalias o zapatillas. Ponerse guantes para introducir el material en el tubo de triturado.
- No manejar la máquina si se ha ingerido alcohol o drogas.
- No tratar de alcanzar más lejos de lo normal. Mantener bien apoyado los pies y buen equilibrio en todo momento.
- No poner nunca las manos ni ninguna parte del cuerpo o indumentaria cerca de las piezas que están girando. Siempre mantenerse alejado de las bocas de descarga. Nunca meter las manos ni ninguna parte del cuerpo o indumentaria en la boquilla, tubo de triturar o boca de descarga, pues el rotor giratorio puede causar graves lesiones.
- Si por cualquier razón es necesario desatascar la toma de alimentación o la boca de descarga o inspeccionar o reparar alguna pieza de la máquina en una parte donde una pieza en movimiento podría quedar en contacto con el cuerpo o indumentaria, apagar el motor, esperar hasta que se enfríe, desconectar el cable de la bujía y apartarlo de la bujía antes de intentar desatascar, inspeccionar o reparar.
- Nunca manejar la máquina sin que tenga instalado el recolector de la aspiradora o, si está equipada con tubo soplador, bien conectado a la máquina. El extremo abierto grande del recolector (bolsa) debe estar cerrado para impedir que salgan objetos soplados por la parte trasera del recolector.
- Cuando se trabaje con la función de soplador (esta máquina puede tener incluido el accesorio de tubo de soplado opcional):
 - No situarse ni caminar delante de la boca de descarga del soplador ni apuntársela a las personas, animales, vehículos, etc. que se encuentren cerca. Los objetos que salen lanzados por la boca de descarga puede causar lesiones personales o daños a la propiedad.
 - No dirigir la descarga del soplador contra una pared u otra obstrucción vertical. El material descargado puede rebotar hacia el operador.
 - Ajustar la altura de la boquilla de aspiración a la posición más alta para reducir la posibilidad de que aspiren objetos más pesados (por ej.,

piedras, pedazos de vidrio o de metal) y sean lanzados por la boca de descarga. Al elevar la boquilla a la posición más alta también incrementa la admisión de aire para lograr mejor funcionamiento del soplador.

- No intentar nunca retirar o vaciar el recolector mientras el motor está funcionando. Apagar el motor y esperar hasta que el rotor esté detenido antes de retirar el recolector (bolsa). El rotor continúa girando por algunos segundos después de apagar el motor. Nunca acercarse ninguna parte del cuerpo al área del rotor sin antes asegurarse de que ha parado de girar.
- Mantener todos los protectores y dispositivos de seguridad en su lugar y en buen estado de funcionamiento.
- No dejar que se acumule material tratado en el área de descarga, pues impedirá la descarga adecuada.
- Cuando se introduzca material en la astilladora, no situarse con la cara o el cuerpo directamente delante del tubo de la astilladora. Situarse a un lado. El material que se está introduciendo puede rebotar fuera del tubo.
- Si el mecanismo de corte choque con un objeto extraño o si la máquina empieza a hacer un ruido o vibración inusual, apagar inmediatamente el motor, desconectar el cable de la bujía y apartarlo de la bujía. Dejar que la máquina se pare y proceder de la manera siguiente:
 - Buscar si hay daño
 - Reparar o cambiar las piezas dañadas.
 - Buscar piezas flojas y apretarlas para asegurar un buen funcionamiento.
- El silenciador y el motor se calientan y puede causar quemaduras. No tocarlos.
- No dejar que las hojas u otros desechos se acumulen en el silenciador del motor. Los desechos pueden encenderse y causar un incendio.
- No hacer funcionar el motor si el filtro de aire o la tapa encima de la toma de aire del carburador no está colocada. El retiro de dichas piezas puede crear un peligro de incendio.

NIÑOS

Pueden ocurrir accidentes de trágicas consecuencias si el operador no está alerta a la presencia de niños pequeños. Los niños son frecuentemente atraídos a los lugares donde se está astillando y aspirando hojas, ramas, etc. Nunca suponer que los niños van a permanecer en el lugar donde se les vio la última vez.

- No dejar que los niños se acerquen al lugar de trabajo y mantenerlos vigilados por un adulto aparte del operador.
- Estar alerta y apagar el motor si un niño se aproxima al lugar.
- Nunca permitir que niños menores de 16 años de edad manejen la aspiradora para jardines.

SERVICIO

- Tener sumo cuidado cuando se maneje gasolina y otros combustibles. Son muy inflamables y sus vapores son explosivos.
 - Guardar el combustible y el aceite en contenedores aprobados, lejos del calor y llamas expuestas, y lejos del alcance de los niños.
 - Revisar el nivel y cargar combustible antes de arrancar el motor. Nunca quitar la tapa del tanque de combustible ni añadir combustible mientras el motor está funcionando. Siempre dejar que el motor se enfríe por lo menos durante dos minutos antes de cargar combustible.
 - Antes de arrancar el motor, colocar la tapa del tanque de gasolina bien apretada y limpiar con un trapo la gasolina que pueda haberse derramado ya que podría causar un incendio o explosión.
 - Apagar los cigarrillos, cigarros, pipas y otras fuentes de ignición.
 - Nunca cargar combustible en el interior de edificios porque pueden acumularse vapores inflamables en el área.
 - Nunca guardar la máquina o el contenedor de combustible en interiores donde haya una llama expuesta o chispas, como por ejemplo, un calentador de agua caliente, secadora de ropa o un calefactor de gas.
- No hacer funcionar nunca la máquina en un lugar cerrado pues el gas de escape del motor contiene monóxido de carbono, el cual es un gas inodoro, insípido y mortalmente venenoso.
- Para reducir el peligro de incendio, mantener el motor y el silenciador libres de hojas, pasto y otra acumulación de desechos. Limpiar el combustible y aceite derramado. Dejar que la máquina se enfríe durante por lo menos 5 minutos antes de guardarla.
- Antes de limpiar reparar o inspeccionar, cerciorarse de que el rotor y todas las piezas móviles se hayan detenido. Desconectar el cable de la bujía y apartarlo de la bujía para impedir el arranque accidental del motor. No usar soluciones inflamables para limpiar el filtro de aire.
- Mantener todas las tuercas, pernos y tornillos apretados para asegurar que el equipo esté en buenas condiciones de funcionamiento.
- Nunca estorbar los dispositivos de seguridad. Probar su funcionamiento periódicamente.
- Después de chocar con un objeto extraño, apagar inmediatamente el motor, desconectar el cable de la bujía y hacer una inspección minuciosa de la máquina en busca de algún daño. Reparar el daño antes de arrancar el motor y manejar la máquina.
- No alterar ni estorbar el ajuste del gobernador del motor. El gobernador controla la velocidad máxima segura del motor. El hacer funcionar el motor a sobrevelocidad es peligroso y se dañará el motor y las otras piezas móviles de la máquina.
- Revisar el recolector (bolsa) de la aspiradora frecuentemente. Cambiarlo si está desgastado o dañado.
- Mantener el recolector sin desechos cuando no esté en uso.

MONTAJE

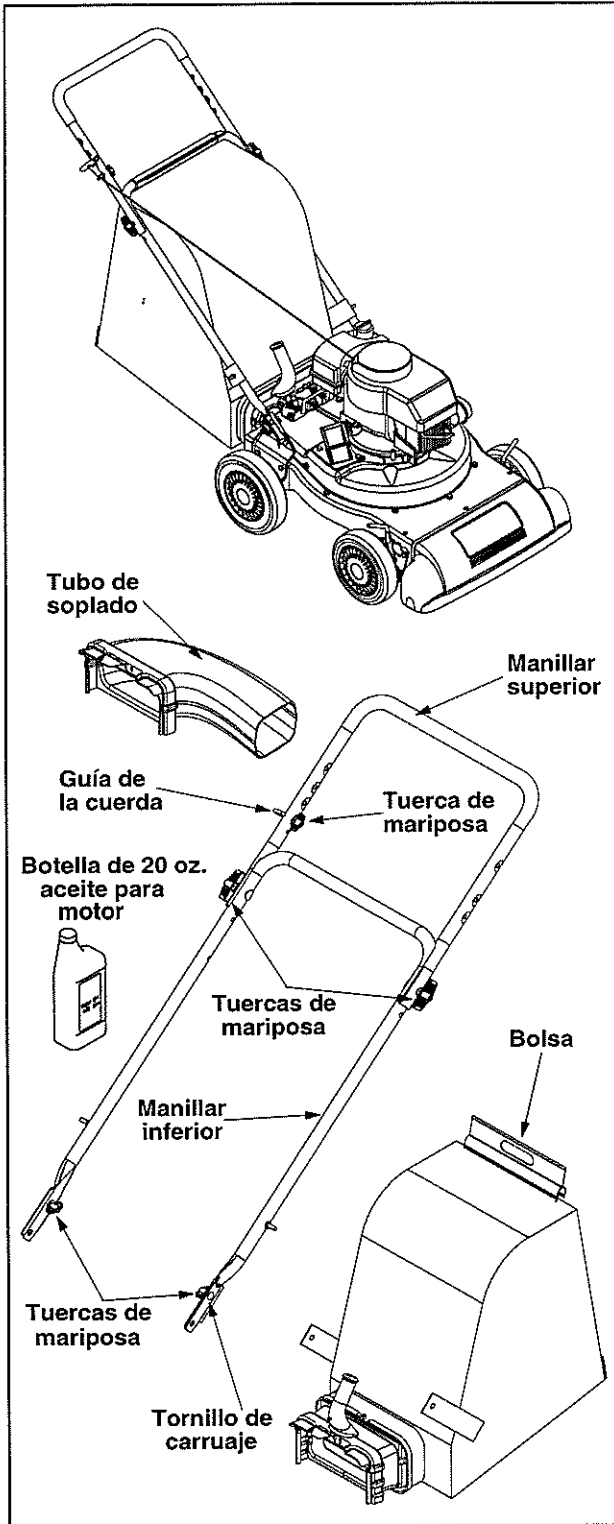


Figura 1

IMPORTANT: Esta máquina salió de fábrica sin gasolina y sin aceite en el motor. Después de armarla, ver la sección OPERACION en este manual para informarse sobre el llenado de aceite del motor y el tipo de combustible.

NOTE: Para determinar los lados derecho e izquierdo de la aspiradora para jardines, situarse detrás de la máquina, en posición de manejarla. Ver la figura 1.

La aspiradora para jardines fue armada en la fábrica, con la excepción del manillar, recolector y tubo de soplado. Estos componentes se envían sueltos en la caja de cartón. En la caja también se incluyen anteojos de seguridad y una botella de 20 onzas de aceite para motor. Ver la figura 1.

DESEMBALAJE

- Cortar las esquinas de la caja.
- Retirar todos los insertos de embalaje.
- Retirar todas las piezas sueltas.
- Asegurarse de retirar todas las piezas y la literatura de la caja antes de desecharla.

PIEZAS SUELTAS

Ver la figura 1

- Montaje del manillar
- Recolector (bolsa)
- Montaje del tubo de soplado
- Anteojos de seguridad (no se muestran)
- Botella de 20 onzas de aceite para motor
- Manual del operador

DESCONEXION DE LA BUJIA

Antes de comenzar a armar la nueva aspiradora para jardines, desconectar el cable de la bujía y conectarlo a tierra en el pilar retenedor en el motor. Esto impedirá el arranque accidental del motor. Ver la figura 2.

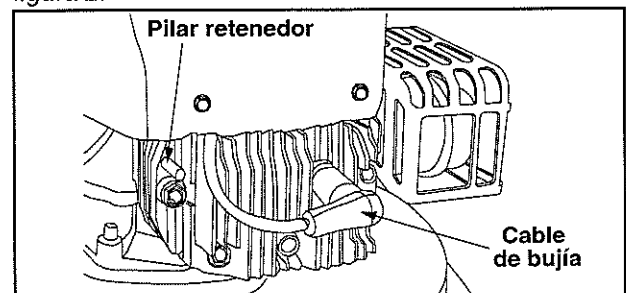


Figura 2

INSTALACION DEL MANILLAR

- Plegar el manillar superior hasta que quede alineado con el manillar inferior. Ver la figura 1.

- Fijarlo bien apretando las tuercas de mariposa superiores, las cuales conectan juntos los dos manillares. Retirar las chavetas de las escuadras del manillar y los tornillos de carruaje (cabeza de hongo y cuello cuadrado) y tuercas de mariposa del manillar inferior. Ver la figura 3.
- Colocar el manillar inferior sobre los pasadores en las escuadras y fijarlos con las chavetas, tornillos de carruaje y tuercas de mariposa.

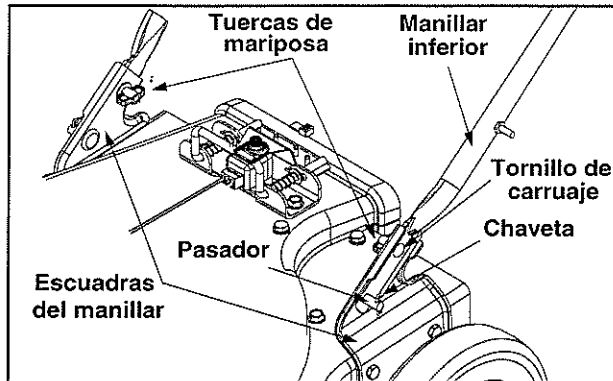


Figura 3

- En el lado derecho del manillar superior se encuentra una guía para la cuerda. Aflojar la tuerca de mariposa que sujeta la guía.
- Tirar la cuerda de arranque fuera del motor lentamente y deslizarla a través de la guía. Apretar la tuerca de mariposa.

INSTALACION DEL RECOLECTOR

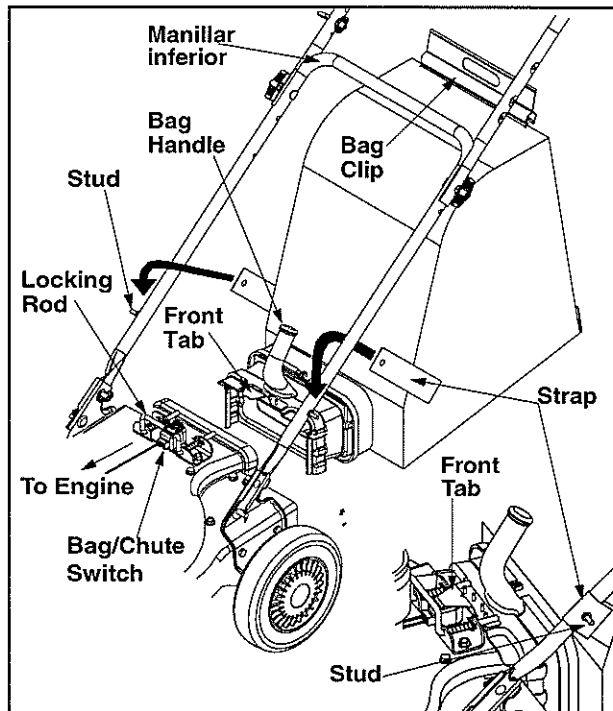


Figura 4

- Asir el mango del recolector con una mano y, con la otra mano, tirar de la varilla de fijación en la escuadra de montaje hacia el motor. Ver la figura 4.
- Deslizar el recolector por encima del borde de la boca de descarga y soltar la varilla de fijación para sujetar el recolector en su lugar.
- Colocar las correas inferiores del recolector sobre el manillar inferior, enganchándolas en los espárragos.
- Encajar el clip del recolector en la parte superior del manillar inferior.

NOTE: Cuando se coloque el recolector en la máquina, el botón interruptor de seguridad adosado a la escuadra de montaje debe quedar totalmente oprimido por la lengüeta delantera ubicada en el mango del recolector, de lo contrario el motor no arrancará.

INSTALACION DEL TUBO DE SOPLADO

NOTE: Antes de instalar el tubo de soplado se debe retirar el recolector.

- Asir el tubo de soplado con una mano y, con la otra mano, tirar de la varilla de fijación en la escuadra de montaje hacia el motor. Ver la figura 5.
- Deslizar el tubo de soplado **por encima** del borde de la boca de descarga y soltar la varilla de fijación para sujetar el tubo en su lugar.
- Cuando se va a usar el tubo de soplado, elevar la boquilla a la posición más alta. Ver el ajuste de la boquilla en la sección AJUSTES.

NOTE: El botón interruptor de seguridad adosado a la escuadra de montaje debe quedar totalmente oprimido por la lengüeta delantera ubicada en tubo de soplado, de lo contrario el motor no arrancará.

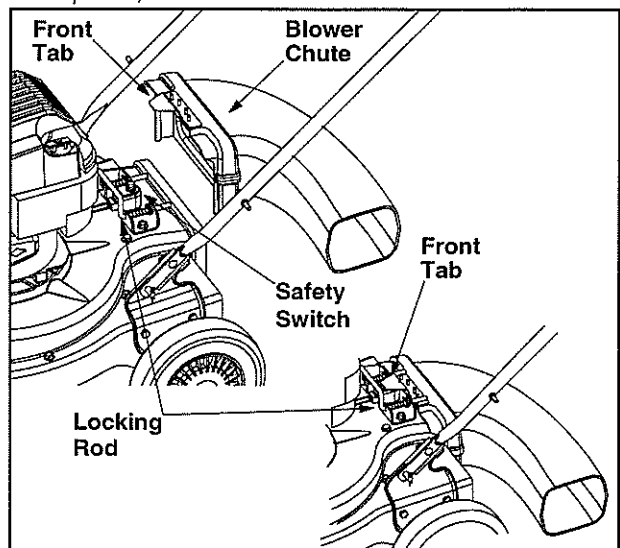


Figura 5

OPERACION

Conozca su aspiradora para jardines

Lea este manual del operador y las reglas de seguridad antes de manejar su aspiradora para jardines. Compare las ilustraciones presentadas más abajo con su equipo para que conozca bien la ubicación de los distintos controles y ajustes. Guarde este manual para consultarlo en el futuro.



El manejo de cualquier aspiradora para jardines sopladora puede causar el lanzamiento de objetos extraños contra los ojos y lesionarlos gravemente. **Use siempre los anteojos de seguridad**, suministrados con la aspiradora para jardines Craftsman, para manejar este equipo o mientras le hace trabajos de ajuste o reparación.

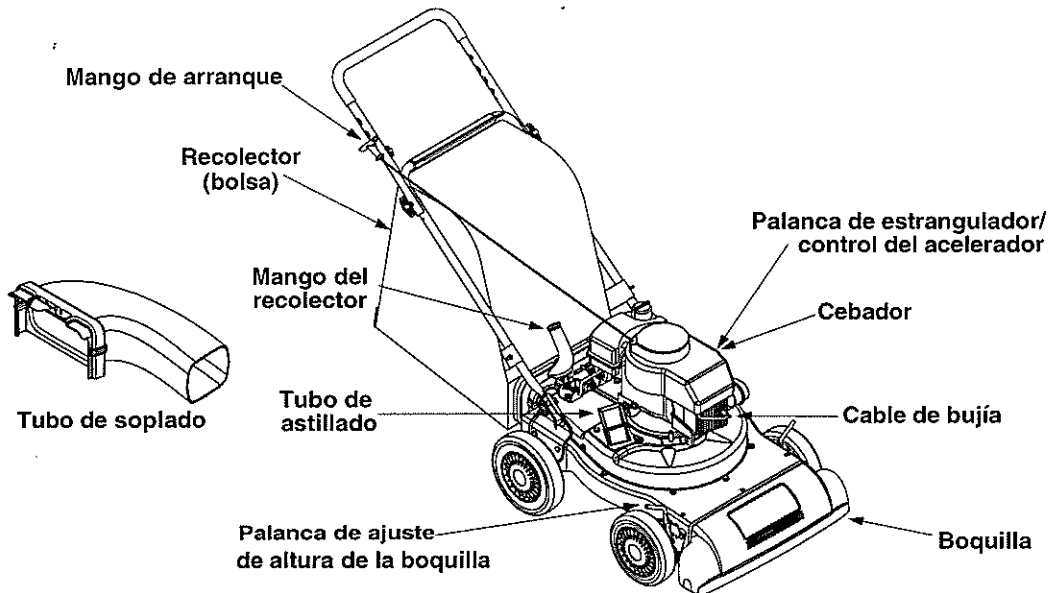


Figura 6

CONTROLES DE OPERACION

Tubo de astillado

Permite introducir ramillas y ramas pequeñas de hasta 1-1/2" de diámetro en el rotor para astillarlas.

Boquilla

Los desechos del jardín tal como hojas y agujas de pino pueden aspirarse a través de la boquilla para luego triturarlos.

Recolector

Junta todo el material triturado que fue introducido a través del tubo de astillado o que fue aspirado a través de la boquilla.

Tubo de soplado

Cuando está instalado en la máquina, este tubo se usa para soplar o esparcir los desechos del jardín tal como hojas, agujas de pino o ramillas pequeñas.

Mango del recolector

Se usa para agarrar el recolector y poderlo instalar, retirar y vaciar.

Palanca de ajuste de altura de la boquilla

Se usa para ajustar la altura entre la boquilla y el suelo, variando de 5/8" a 3-3/4".

Palanca de estrangulador/control del acelerador

Esta palanca única controla la velocidad del motor, la función de parada y el estrangulador del carburador. Pasando por cuatro posiciones separadas en la palanca, de izquierda a derecha, el funcionamiento es el siguiente:



Cebador

El cebador se usa para ayudar durante el arranque del motor en frío.

Mango de arranque

Se usa para arrancar el motor.

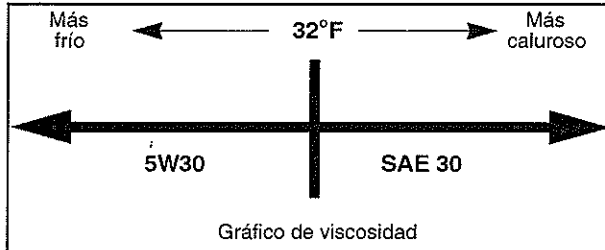
NOTE: De conformidad con las normas de seguridad de ANSI

NOTE: Las máquinas aspiradoras para jardines Craftsman cumplen con las normas de seguridad del Instituto de Normalización Nacional de EE.UU. (ANSI).

LLENADO DE GASOLINA Y ACEITE

Aceite (una botella de 20 onzas enviada con la máquina)

Usar únicamente aceite detergente de buena calidad clasificado con la clasificación de servicio SF, SG o SH de la API. Escoger el grado de viscosidad SAE del aceite de acuerdo con la temperatura de trabajo anticipada. Guiarse por el gráfico siguiente.



NOTE: Aunque los aceites de múltiple viscosidad (5W30, 10W30, etc.) mejoran el arranque del motor en climas fríos, causarán un mayor consumo de aceite cuando se usan a temperaturas sobre 32°F. (0°C). Revisar el nivel de aceite del motor frecuentemente para evitar el posible daño del motor en caso de funcionar con muy poco aceite.

- Retirar la varilla de medición de aceite.
- Con la aspiradora para jardines en suelo plano, usar un embudo para llenar el motor con aceite hasta la marca FULL (LLENO) en la varilla. La capacidad es de aproximadamente 20 onzas. Tener cuidado de no llenar demasiado. El exceso de aceite puede hacer humear el motor y reducir su buen funcionamiento. La botella de aceite incluida con la aspiradora para jardines contiene 20 onzas de aceite.
- Revisar el nivel de aceite asegurándose de no frotar la varilla a lo largo de las paredes interiores del tubo de llenado de aceite. Esto produciría una indicación errónea del nivel en la varilla. Llenar hasta la marca FULL, si es necesario. Volver a colocar la varilla de medición y apretarla.
- Revisar el nivel de aceite tres veces antes de arrancar el motor para cerciorarse de que se obtiene una indicación correcta en la varilla. Si se hace funcionar el motor con muy poco aceite se puede dañar para siempre.

Gasolina

- Quitar la tapa del tanque de gasolina.
- Asegurarse de que el contenedor del cual se verterá gasolina esté limpio y sin óxido o partículas extrañas. Nunca usar gasolina vieja que haya estado mucho tiempo guardada en el contenedor. La gasolina que ha estado en el contenedor por más de cuatro semanas deberá considerarse vieja.

- Llenar el tanque únicamente con gasolina para automóviles regular sin plomo, superior sin plomo o reformulada. NO usar etilo o gasolina de alto octanaje. No usar gasolina que contenga METANOL. Volver a colocar la tapa.
- Para evitar problemas en el motor, vaciar el sistema de combustible antes de guardar la máquina por 30 días o más tiempo. Vaciar el tanque de gasolina, arrancar el motor y dejar que funcione hasta que la tubería de combustible y el carburador estén vacíos. En la próxima temporada, usar combustible fresco. Para más información, ver la sección ALMACENAMIENTO.
- Nunca usar productos limpiadores del motor o carburador en el tanque de combustible, se puede causar daño permanente.



ADVERTENCIA: Nunca llenar el tanque de gasolina en el interior de un edificio, con el motor funcionando o mientras el motor está caliente. No fumar mientras se llena el tanque de gasolina. Para evitar derrames y permitir la expansión del combustible, llenar solamente hasta 1/2 pulgada de la parte superior del tanque de gasolina.

- Revisar el nivel de combustible periódicamente para evitar que se acabe la gasolina mientras la aspiradora para jardines está funcionando. Si a la máquina se le agota el combustible mientras está astillando, será necesario desatascar la máquina antes de volver a arrancar el motor. Ver la sección SERVICIO Y AJUSTES.

PARA APAGAR EL MOTOR

- Mover la palanca de control del acelerador a la posición STOP (APAGAR).
- Desconectar el cable de la bujía y conectarlo a tierra en el pilar retenedor para impedir el arranque accidental mientras la máquina está sola.

PARA ARRANCAR EL MOTOR



ADVERTENCIA: Asegurarse que solamente el operador está cerca de la aspiradora para jardines mientras se arranca el motor o está funcionando. No manejar esta máquina sin que tenga instalado el recolector o el tubo de soplado.

1. Conectar el cable y la caperuza de goma a la bujía.
2. Asegurarse que el cable del botón de seguridad está conectado al motor y que está correctamente conectado a tierra.

3. **Cuando la temperatura es sobre 32°F (0°C):**
 - Mover la palanca de estrangulador/control del acelerador a la posición RAPIDO.
 - Oprimir el cebador lentamente trace veces. Dejar pasar unos dos segundos entre cada empuje. No usar el cebador para volver a arrancar un motor caliente después de una parada corta. Ver la figura 7.

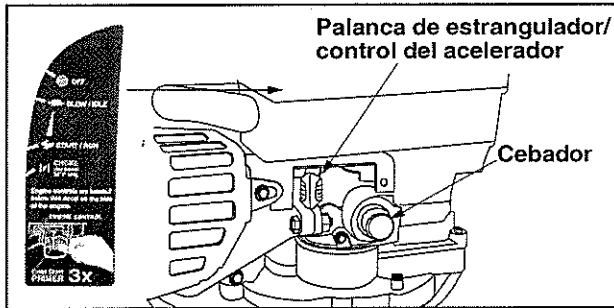


Figura 7

4. **Cuando la temperatura esta por debajo de 32°F (0°C):**
 - Mover la palanca de estrangulador/control del acelerador a la posición ESTRANGULADOR. (Un motor caliente no siempre requiere el uso del estrangulador.) Ver la figura 7.
 - Si no se va a usar el estrangulador para arrancar el motor, mover la palanca de estrangulador/control del acelerador a la posición RAPIDO.
 - Oprimir el cebador lentamente trace veces. Dejar pasar unos dos segundos entre cada empuje.
5. De pie detrás de la máquina, asir el mango de arranque y tirar de la cuerda lentamente hacia afuera hasta que el motor llegue el ciclo de compresión de arranque (la cuerda tirará un poco más fuerte en este punto). Dejar que la cuerda se enrolle sola.

NOTE: Se puede escuchar un ruido cuando llega al inicio del ciclo de compresión. El ruido es causado por la flagelos y dedos que forman parte del mecanismo triturador, cuando se acomodan en su lugar, y debe esperarse. Además, las flagelos y dedos son ruidosos después que el motor arranca, hasta que el rotor llega a su velocidad máxima.

6. Tirar la cuerda dándole un tirón rápido continuo y con todo el brazo. Mantener agarrado firmemente el mango de arranque. Dejar que la cuerda se enrolle lentamente.
7. Repetir, de ser necesario, hasta que el motor arranque. Después, mover la palanca de estrangulador/control del acelerador a la posición RAPIDO.
8. SIEMPRE mantener el control del acelerador en la posición RAPIDO cuando se maneja la aspiradora para jardines.

PARA VACIAR EL RECOLECTOR

- Desenganchar las correas del recolector del manillar inferior y soltar el clip del recolector de la parte superior del manillar inferior. Ver la figura 8.
- Asir el mango del recolector con una mano y, con la otra mano, tirar de la varilla de fijación en la escuadra de montaje hacia el motor para soltar el recolector.
- Retirar el recolector de encima del borde de la boca de descarga. Ver la figura 4.
- Girar los dos botones en la parte trasera del recolector para abrirlo y vaciar el contenido. Ver la figura 8.
- Sujetar el mango y el clip del recolector mientras se vacía el contenido.
- Una vez vacío, volver a trabar los botones.

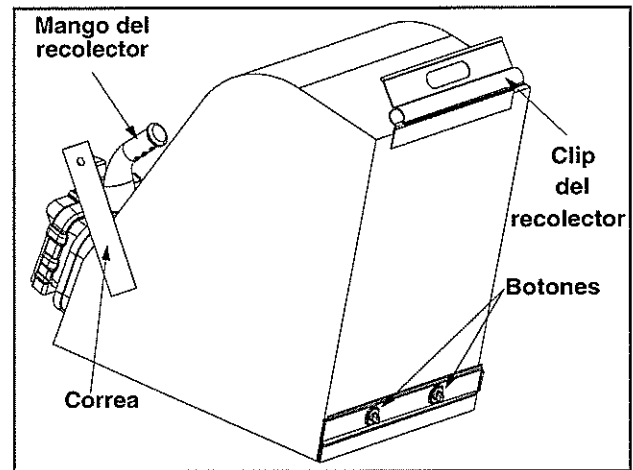


Figura 8

PARA RETIRAR EL TUBO DE SOPLADO

- Asir el mango del tubo de soplado con una mano y, con la otra mano, tirar de la varilla de fijación en la escuadra de montaje hacia el motor para soltar el recolector. Ver la Figura 5.
- Retirar el tubo de soplado de encima del borde de la boca de descarga.

OPERACION

Apoyar ambas manos sobre el manillar superior para empujar la máquina por encima de los desechos del jardín. Los residuos como hojas y agujas de pino son aspiradas por la boquilla y trituradas por las flagelos en el rotor para luego ser descargadas al recolector o por el tubo de soplado. No intentar triturar o astillar ningún otro material salvo la vegetación encontrada en un jardín normal (por ej., ramas, hojas, ramillas, etc.). Evitar las plantas fibrosas tales como matas de tomate hasta que estén totalmente secas. El material tal como los tallos o ramas muy gruesas de hasta 1-1/2" de diámetro pueden introducirse en el tubo de astillado. Ver la Figura 9.

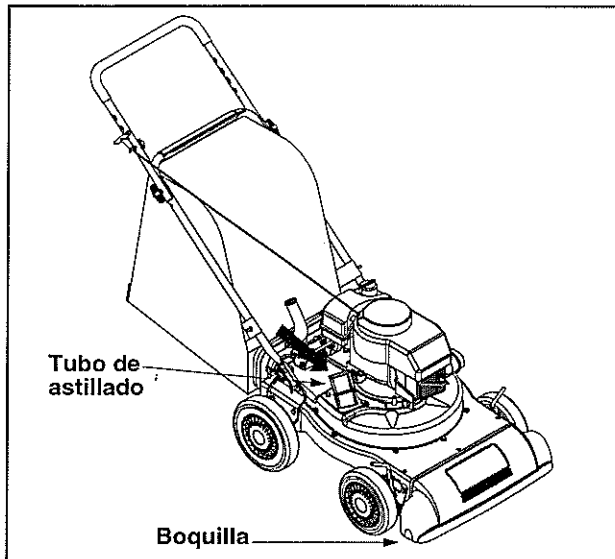


Figura 9



ADVERTENCIA: Mantener las manos lejos de la abertura de la boquilla y **NUNCA** poner las manos ni los brazos dentro del tubo de astillado cuando el motor está funcionando. Se corre el riesgo de sufrir graves lesiones.



ADVERTENCIA: Antes de usar la aspiradora para jardines, siempre examinar a fondo el lugar donde se va a pasar la aspiradora. Si se pasa por encima de obstrucciones, tales como juguetes pequeños, se puede causar lesiones personales como también dañar la máquina.

NOTE: La rejilla de los flagelos se encuentra dentro de la carcasa en el área de descarga. Si la rejilla está obstruida, apagar el motor, retirar la rejilla y limpiarla como se indica en la sección **SERVICIO Y AJUSTES**.

MANTENIMIENTO

PROGRAMA DE MANTENIMIENTO		Antes del almacenamiento	Después de cada uso	Primeras 5 horas	Cada 25 horas	Cada 50 horas	Antes del almacenamiento
PRODUCTO	Lubricación			✓			✓
	Limpiar el equipo		✓				✓
MOTOR	Revisar nivel aceite	✓					
	Cambiar aceite motor			✓	✓		✓
	Limpiar filtro de aire				✓		
	Limpiar la bujía					✓	✓
	Limpiar el silenciador					✓	
	Limpiar el motor				✓		✓

RECOMENDACIONES GENERALES

- Siempre respetar las reglas de seguridad durante los trabajos de mantenimiento.
- La garantía de esta máquina no cubre los componentes que han estado sujetos a maltrato o descuido. Para recibir todo el valor de la garantía, el operador debe conservar el equipo tal como se indica en este manual.
- Será necesario hacer algunos ajustes periódicamente para mantener el equipo en buen estado.

- Seguir el programa de mantenimiento.
- Revisar periódicamente todos los pernos, tornillos, tuercas, etc. y asegurarse que estén bien apretados.



ADVERTENCIA: Siempre apagar el motor, desconectar el cable de la batería y conectarlo a tierra antes de ejecutar el mantenimiento o los ajustes.

LUBRICACION

- **Ruedas** - Una vez en la temporada, colocar unas pocas gotas de aceite SAE 30 en cada tornillo de reborde. Ver la figura 13.
- **Palancas de ajuste de altura de la boquilla** - Lubricar estas palancas con aceite ligero. Ver la figura 6.
- **Varilla de fijación** - Lubricar la varilla y los resortes de compresión que se encuentra fijados a la escuadra de montaje. Ver la figura 4.

LIMPIEZA DEL EQUIPO

- Limpiar a fondo la aspiradora para jardines después de cada uso.
- Lavar el recolector periódicamente con agua. Dejar secar a la sombra.
- Si la rejilla se obstruye, retirarla y limpiarla como se indica en la sección SERVICIO Y AJUSTES.

NOTE: No se recomienda limpiar la máquina con un chorro fuerte de agua ya que se podría contaminar el sistema de combustible.

REVISION DEL ACEITE DEL MOTOR

- Retirar la varilla de medición de nivel de aceite.
- Revisar el nivel de aceite en la varilla. Debe estar hasta la marca FULL (LLENO).
- Volver a colocar la varilla y apretarla.

CAMBIO DE ACEITE DEL MOTOR

- Usar únicamente aceite detergente de buena calidad clasificado con la clasificación de servicio SF, SG o SH de la API. Escoger el grado de viscosidad SAE del aceite de acuerdo con la temperatura de trabajo anticipada. Guiarse por el gráfico de viscosidad.
- Apagar el motor y dejar pasar varios minutos antes de revisar el nivel de aceite. Con la máquina en suelo nivelado, el aceite debe estar en la marca FULL (LLENO) en la varilla de medición.
- Cambiar el aceite después de las primeras cinco horas de funcionamiento, y de allí en adelante hacerlo cada veinticinco horas.

PARA VACIAR EL ACEITE

Vaciar el aceite mientras el motor está caliente. Seguir las instrucciones siguientes.

- Vaciar el tanque de gasolina, arrancar el motor y dejarlo funcionando hasta que la tubería de combustible y el carburador estén vacíos.
- Retirar la varilla de medición de llenado de aceite.
- Inclinar la máquina sobre su costado para vaciar el aceite por el tubo de llenado.
- Una vez que se ha vaciado todo el aceite del motor, volver a llenar con aproximadamente 20

onzas de aceite fresco. Ver el párrafo sobre **Llenado de gasolina y aceite** en la sección OPERACION.

- Volver a colocar la varilla de medición.

SERVICIO DEL FILTRO DE AIRE

El filtro de aire impide la tierra, polvo, etc. dañinos entren al carburador y sean empujados al interior del motor, y es importante para la duración y funcionamiento del motor. El filtro de aire es un filtro de espuma de uretano. **Nunca hacer funcionar** el motor sin tener el filtro de aire totalmente armado.

Para limpiar el filtro de aire:

- Retirar el filtro de espuma de la caja de plástico ubicada encima del motor.
- Lavar en una solución de agua y detergente, y exprimirlo (sin estrujarlo) hasta quitarle todas las impurezas.
- Enjuagar completamente en agua limpia.
- Envolverlo en un paño limpio y exprimirlo (sin estrujar) hasta que esté completamente seco, o dejar secar al aire.
- Saturar con aceite para motor y exprimirlo para distribuir el aceite y eliminar el aceite sobrante.
- Colocar el filtro de espuma dentro de la caja de plástico.

NOTE: Si el filtro de espuma está desgarrado o tiene cualquier daño, cambiarlo.



ADVERTENCIA: La temperatura del silenciador y las áreas cercanas puede sobrepasar de 150°F (65°C). Evitar tocar esas áreas.

SERVICIO DE LA BUJÍA

- Limpiar la bujía y ajustar la distancia entre electrodos a 0.030 pulgada por lo menos una vez en la temporada o cada 50 horas de funcionamiento. Ver la Figura 10. Se recomienda cambiar la bujía al comienzo de cada temporada o estación. Consultar la lista de repuestos del motor para determinar el tipo correcto de bujía.

NOTE: No limpiar la bujía con un chorro de arena. Hacerlo con un cepillo de alambre o una rasqueta y lavarla con un solvente comercial.

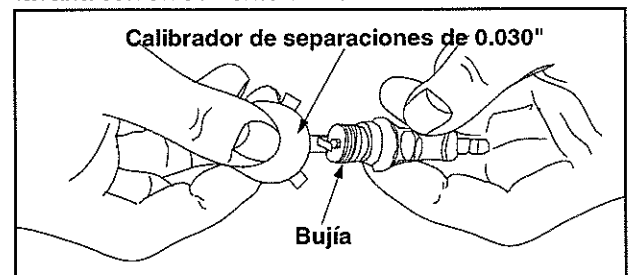


Figura 10

SERVICIO DEL SILENCIADOR

- Inspeccionar el silenciador periódicamente y reemplazarlo cuando sea necesario.
- Si el motor tiene un chispero, retirarlo cada 50 horas de uso para limpieza e inspección. Reemplazarlo si está dañado.



WARNING: No manejar la aspiradora para jardines sin que tenga instalado el silenciador. No estorbar el sistema de escape. El silenciador o chispero dañado puede crear un peligro de incendio.

LIMPIEZA DEL MOTOR

- Para limpiar el motor, quitarle la tierra y residuos con un paño o cepillo.
- Quitar frecuentemente los restos de pasto, tierra y residuos de las aletas de enfriamiento, tamiz de la toma de aire, palancas y varillaje. Esto ayudará a asegurar el enfriamiento adecuado y la velocidad del motor.

SERVICIO Y AJUSTES



ADVERTENCIA: Nunca hacer ningún ajuste a la máquina sin primero apagar el motor y desconectar el cable de la bujía.

AJUSTE DE LA ALTURA DE LA BOQUILLA

La boquilla puede ajustarse a cualesquiera de cinco posiciones, a una altura del piso variando de 5/8 a 3-3/4 pulgadas. La altura de la boquilla deberá ajustarse de acuerdo a las condiciones. Mover las palancas de ajuste hacia adelante o hacia atrás para elevar o bajar la boquilla. Ver la figura 11.

NOTE: En general, elevar la altura de la boquilla para aspirar una capa gruesa de hojas o para manejar con el tubo de soplado. Bajar la altura de la boquilla para superficies más suaves. La máquina se muestra sin el motor para más claridad de la ilustración.

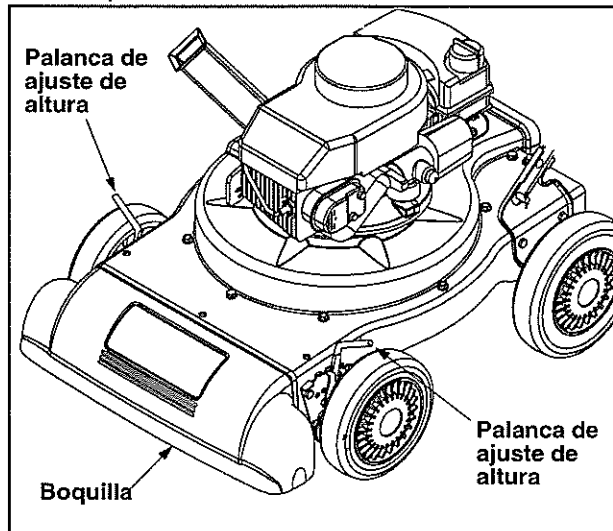


Figura 11

AJUSTE DEL CARBURADOR



ADVERTENCIA: Si al motor se le hace cualquier ajuste (por ej., carburador) mientras está funcionando, mantenerse alejado de todas las piezas en movimiento. Tener cuidado de no tocar el silenciador y todas las superficies calientes.

El carburador fue preajustado en la fábrica y no debería necesitar ningún ajuste. Si el motor no funciona debidamente debido a posibles problemas en el carburador, llevar la máquina a un centro de servicio Sears para reparación y ajuste.

NOTE: El filtro de aire sucio causará el funcionamiento irregular del motor. Asegurarse de limpiar el filtro de aire y que esté conectado al carburador antes de proceder a ajustar el carburador.

VELOCIDAD DEL MOTOR

La velocidad del motor de la aspiradora para jardines aspiradora para jardines fue ajustada en la fábrica. No intentar aumentar las revoluciones por minuto del motor. En el caso de que el motor esté funcionando demasiado rápido o lento, llevar la máquina a un centro de servicio Sears para reparación y ajuste.



WARNING: No intentar alterar la velocidad del motor moviendo el varillaje del gobernador del motor. El hacerlo podría resultar en graves lesiones personales y daño al motor. La velocidad (rpm) del motor fue ajustada en la fábrica.

RETIRO DE LA REJILLA DE FLAGELOS

En el caso de que el área de descarga está obstruida, retirar la rejilla de flagelos y limpiar el área de la manera siguiente.

- Apagar el motor. Asegurarse que la máquina está totalmente detenida.
- **Desconectar el cable de la bujía y conectarlo a tierra antes de desatascar el tubo de descarga.**
- Ver tener acceso a la rejilla de trituración, retirar el recolector o el tubo de soplado de la máquina como se indica en la sección OPERACION. Ver la figura 12.

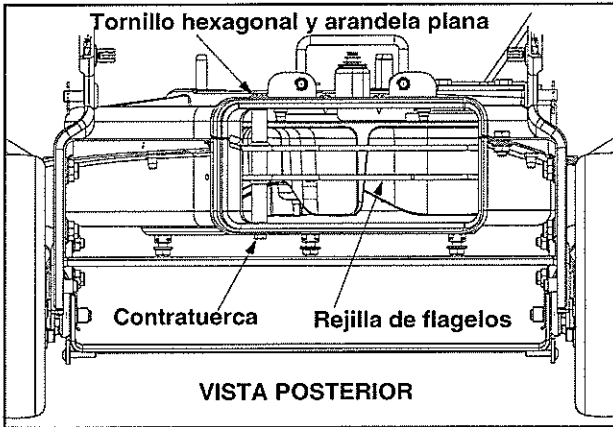


Figura 12

- En el lado derecho de la máquina, quitar el tornillo hexagonal que sujeta la rejilla de flagelos. Ver la figura 13.

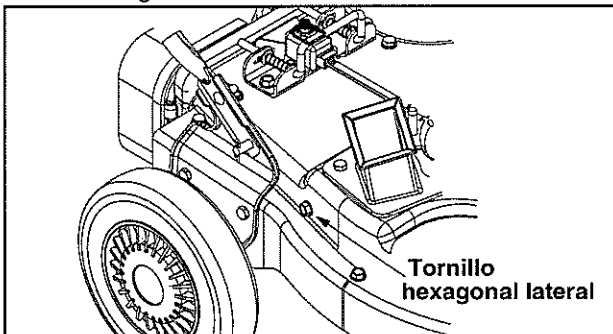


Figura 13

- Retirar el tornillo hexagonal y la arandela plana ubicados encima de la carcasa trasera cerca de la escuadra de montaje y la contratuerca que sujeta la rejilla de flagelos. Ver las figuras 12.
- Retirar y limpiar la rejilla con una rasqueta o lavarla con agua. Volver a instalar la rejilla.

AFILADO O REEMPLAZO DE LA CUCHILLA ASTILLADORA

Debido a que el motor de esta máquina tiene el cigüeñal cónico, se necesita un extractor especial (número de pieza 753-0638) para retirar el impulsor. Para asistencia técnica, comunicarse con el centro de servicio Sears.

NOTE: Cuando se vaya a inclinar la máquina, vaciar el tanque de combustible y mantener el lado con la bujía del motor hacia arriba.

- Desconectar el cable de la bujía y conectarlo a tierra.
- Quitar los tapacubos delanteros, los tornillos de reborde, las arandelas onduladas y las arandelas abocinadas que van sujetas a las ruedas delanteras. Ver la Figura 14.

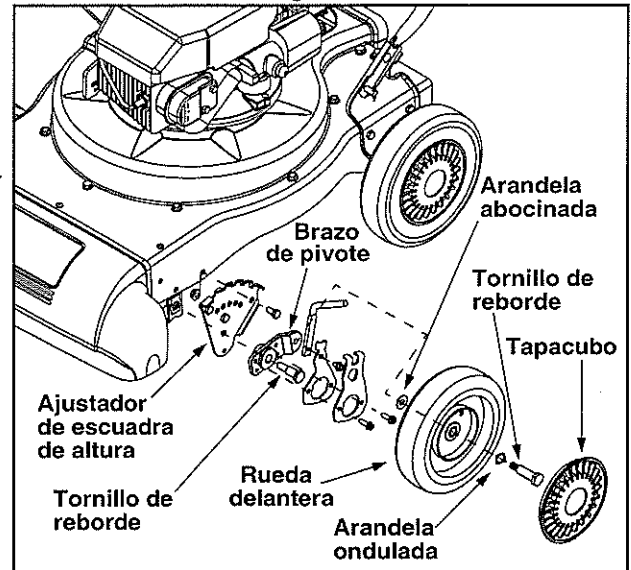


Figura 14

- Quitar los tornillos de reborde que atraviesan los brazos de pivote y los ajustadores de la escuadra de altura hasta la abrazadera de soporte delantera.
- Quitar los tres tornillos en la carcasa superior que sujetan la cubierta de la boquilla y los nueve tornillos que sujetan la carcasa inferior a la superior. Ver la Figura 15.

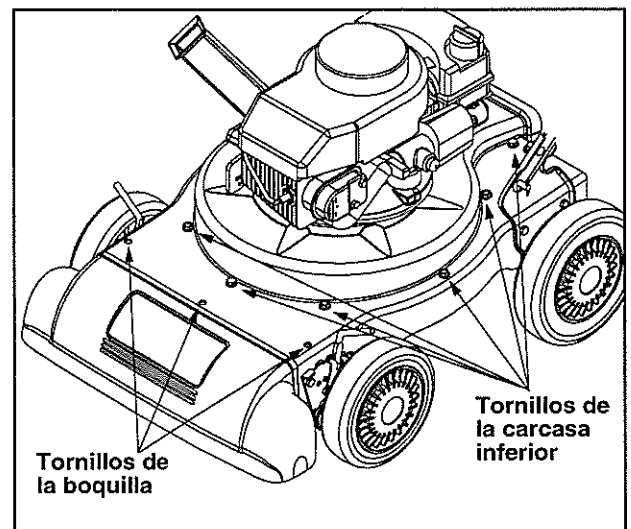


Figura 15

- Quitar la contratuerca que sujeta la rejilla de trituración a la carcasa inferior. No es necesario retirar la rejilla. Ver las Figura 12.
- Quitar el perno hexagonal, la arandela de seguridad y la arandela plana que sujetan el conjunto rotor al cigüeñal. Ver la Figura 16.

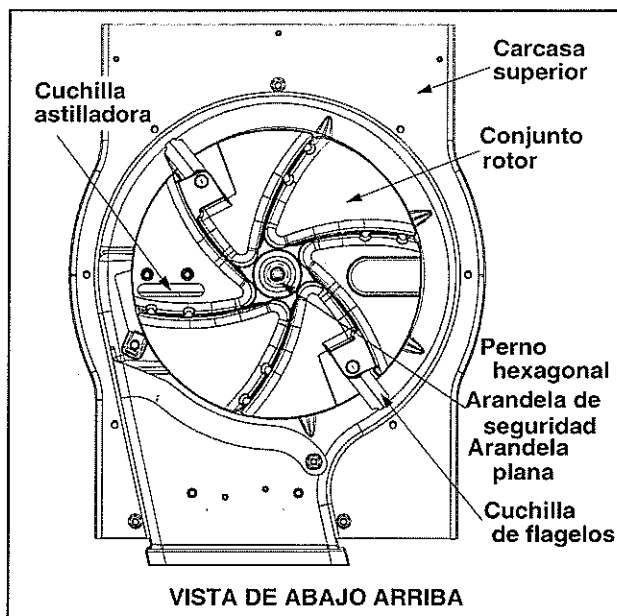


Figura 16

- Aplicar lubricante a las roscas del extractor del rotor y luego enroscar el extractor en el cigüeñal. Parar cuando el rotor se pueda mover en el cigüeñal.
- Retirar el rotor del cigüeñal. Desenroscar el extractor del rotor.

- Retirar la cuchilla astilladora utilizando para ello una llave allen de 3/16" en el exterior de la cuchilla y una llave de 1/2" en el lado inferior del rotor.
- Reemplazar o afilar la cuchilla astilladora.
- Para afilar la cuchilla, protegerse las manos con guantes y seguir el ángulo original de afilado.
- Volver a ensamblar ejecutando los pasos previos en orden inverso.
 - Apretar los tornillos de la cuchilla a 210 - 250 pulg-lbs.
 - Apretar el perno del rotor a 375-425 pulg-lbs.

NOTE: Asegurar de instalar la cuchilla astilladora con el filo hacia arriba. Ver la Figura 17.

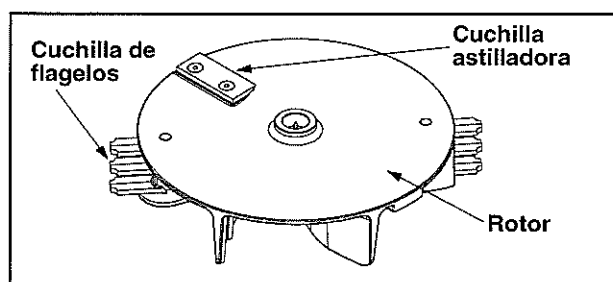


Figura 17

ALMACENAMIENTO

Preparar la aspiradora para jardines Craftman para su almacenamiento al final de la temporada o si la máquina va a estar sin usar durante 30 días o más. Una revisión anual por el centro de servicio Sears local es una buena manera de asegurar que la máquina funcione perfectamente la temporada siguiente.

Aspiradora para jardines

- Limpiar el equipo completamente.
- Frotarlo con un trapa aceitado para impedir que se oxide. Frotar con aceite ligero o silicona.
- Preparar el motor de acuerdo a las instrucciones siguientes.
- Guardar la máquina en un lugar limpio y seco. No hacerlo cerca de materiales corrosivos tal como los fertilizantes.

Motor

IMPORTANT: Es importante impedir la formación de depósitos gomosos en las piezas del sistema de combustible tales como el carburador, filtro, manguera y tanque de combustible durante el almacenamiento. Además, los combustibles mezclados con alcohol (llamados gasohol o el uso de

etanol o metanol) pueden atraer humedad la que conduce a la separación y formación de ácidos durante el almacenamiento. El gas ácido puede dañar el sistema de combustible del motor durante el almacenamiento.

Para evitar problemas en el motor, vaciar el sistema de combustible antes de guardar la máquina por 30 días o más. Proceder de la manera siguiente:

- Vaciar el tanque de combustible.
- Arrancar el motor y dejarlo funcionar hasta que la tubería de combustible y el carburador estén vacíos.
- Vaciar el carburador.
- Nunca usar productos para limpiar motores o carburadores en el tanque de combustible pues podría ocurrir un daño permanente.

NOTE: El uso de un estabilizador de combustible es una alternativa aceptable para reducir la formación de depósitos gomosos de combustible durante el almacenamiento.

- Añadir estabilizador a la gasolina en el tanque o en el contenedor de almacenamiento.
- Siempre seguir la relación de mezcla indicada en el envase del estabilizador.
- Hacer funcionar el motor durante por lo menos 10 minutos después de añadir el estabilizador para que éste llegue al carburador.
- No vaciar el tanque de combustible y el carburador si se usa estabilizador de combustible. Vaciar el aceite del cárter (hacerlo después de haber hecho funcionar el motor y que todavía esté caliente) y llenar el cárter con aceite fresco.
- Si se vació el tanque de combustible, proteger el interior del motor de la manera siguiente:
- Retirar la bujía, verter aproximadamente 1/2 onza (aprox. una cucharada) de aceite de motor en el cilindro y hacer girar lentamente el motor para distribuir el aceite.
- Colocar la bujía.

Otros

- No guardar la gasolina de una temporada a otra.
- Reemplazar la gasolina si comienza a oxidarse. El óxido y/o impurezas en la gasolina causarán problemas.
- Guardar la máquina en un lugar limpio y seco. No hacerlo cerca de materiales corrosivos, tal como los fertilizantes.

NOTE: *Si se va a guardar la máquina en un galpón sin ventilación o de metal, asegurarse de protegerla contra oxidación aplicándole una capa de aceite ligero o silicona.*

LOCALIZACION DE AVERIAS

Problema	Causas posibles	Solución
El motor no arranca	<ol style="list-style-type: none"> 1. El tanque de combustible está vacío o combustible está viejo. 2. El cable de la bujía está desconectado. 3. No se puede tirar de la cuerda de arranque. 4. El estrangulador está en la posición ON (conectado). 5. La bujía está mala. 6. No se oprimió el interruptor de seguridad. 7. El alambre del interruptor de seguridad no está conectado al motor o está mal conectado a tierra. 	<ol style="list-style-type: none"> 1. Llenar el tanque con gasolina limpia y fresca. El combustible no durará más de treinta días a menos que se le añada un estabilizador. 2. Conectar el cable de la bujía. 3. Hay una obstrucción atascada en el rotor. Desconectar el cable de la bujía y quitar el objeto atascado. 4. Mover de la posición CHOKE a la posición ON. 5. Limpiar y ajustar la distancia entre electrodos o cambiar la bujía. 6. El interruptor de seguridad debe estar oprimido por la lengüeta delantera ubicada en el mango del recolector cuando se instala este último. 7. Conectar el alambre del interruptor de seguridad al conector del motor y conectarlo a tierra en la escuadra de montaje.
Pérdida de potencia; funcionamiento irregular	<ol style="list-style-type: none"> 1. El cable de la bujía está suelto. 2. La máquina está funcionando en CHOKE (estrangulador). 3. La manguera de combustible está obstruida o el combustible está viejo. 4. Hay agua o tierra en el sistema de combustible. 5. El carburador está desajustado. 	<ol style="list-style-type: none"> 1. Conectar el cable de la bujía y apretarlo. 2. Mover la palanca de estrangulación a la posición OFF (desconectado). 3. Limpiar la manguera de combustible; llenar el tanque con gasolina limpia y fresca. El combustible no durará más de treinta días a menos que se le añada un estabilizador. 4. Desconectar la manguera de combustible al carburador y vaciar el tanque. Llenar con combustible fresco. 5. Contactar al centro de servicio Sears.
Demasiada vibración	<ol style="list-style-type: none"> 1. Piezas sueltas o rotor dañado. 	<ol style="list-style-type: none"> 1. Apagar el motor inmediatamente y desconectar el cable de la bujía. Llevar la máquina a un centro de servicio Sears.
El motor se sobrecalienta	<ol style="list-style-type: none"> 1. Carburador mal ajustado. 2. Bajo nivel de aceite del motor. 	<ol style="list-style-type: none"> 1. Contactar al centro de servicio Sears. 2. Llenar el cárter con el tipo correcto de aceite.
La máquina no descarga	<ol style="list-style-type: none"> 1. El tubo de descarga está obturado. 2. Hay un objeto extraño atascado en el rotor. 3. Baja velocidad (rpm) del motor. 4. El recolector está lleno. 5. La cuchilla astilladora está desafilada. 	<ol style="list-style-type: none"> 1. Apagar el motor inmediatamente y desconectar el cable de la bujía. Limpiar la rejilla de trituración y el interior de la boca de descarga. Ver la sección Mantenimiento en este manual. 2. Apagar el motor inmediatamente y desconectar el cable de la bujía. Quitar el objeto atascado. 3. Siempre hacer funcionar el motor con el acelerador a fondo. 4. Vaciar el recolector. Cambiar la cuchilla astilladora o contactar al centro de servicio Sears.

NOTE: Para otros tipos de reparaciones aparte de los ajustes menores indicados más arriba, rogamos dirigirse al centro de servicio Sears de la localidad.

**In U.S.A. or Canada
for in-home major brand repair service:**

Call 24 hours a day, 7 days a week

1-800-4-MY-HOMESM (1-800-469-4663)

Para pedir servicio de reparación a domicilio – 1-800-676-5811

Au Canada pour tout le service ou les pièces – 1-800-469-4663

For the repair or replacement parts you need:

Call 6 a.m. – 11 p.m. CST, 7 days a week

PartsDirectSM

1-800-366-PART (1-800-366-7278)

Para ordenar piezas con entrega a domicilio – 1-800-659-7084

For the location of a Sears Service Center in your area:

Call 24 hours a day, 7 days a week

1-800-488-1222

To purchase or inquire about a Sears Maintenance Agreement:

Call 7 a.m. – 5 p.m. CST, Monday – Saturday

1-800-827-6655



Free Manuals Download Website

<http://myh66.com>

<http://usermanuals.us>

<http://www.somanuals.com>

<http://www.4manuals.cc>

<http://www.manual-lib.com>

<http://www.404manual.com>

<http://www.luxmanual.com>

<http://aubethermostatmanual.com>

Golf course search by state

<http://golfingnear.com>

Email search by domain

<http://emailbydomain.com>

Auto manuals search

<http://auto.somanuals.com>

TV manuals search

<http://tv.somanuals.com>