

CRATE

BFX100T



**Professional,
Transportable
Bass Amplifier
with
Digital Signal
Processing**

Congratulations!

You are now the proud owner of the professional, transportable Crate BFX100T Bass Amplifier with Digital Signal Processing. The BFX100T offers a wide selection of digital effects designed specifically for the bass guitar, each of which are easily accessed with a simple turn of a control knob. The BFX100T features an extended range low frequency driver, a dome tweeter, an extremely clean power amp, and an 8-band graphic equalizer. The balanced line out jack has a level control for precisely matching the signal to a recording console or house PA system, and is selectable for either pre or post EQ. The built-in limiter ensures pure, clean power even at its full 100 watts output. An effects loop, a jack for headphones, and a jack for an external speaker add to the overall versatility of the amplifier. The compact cabinet features heavy duty recessed side handles, recessed rear wheels, removable tilt-back support peg and retractable luggage style roll-around handle.

Like all Crate products, your BFX100T is designed by musicians, and built using only the best components. Extensive testing confirms that this amplifier is the absolute best it can be.

In order to get the most out of your new amplifier, we strongly urge you to read the information contained in this manual before you begin playing.


And **thank you** for choosing 

Table of Contents:

Using the Transport Handle3

Using the Tilt-Back Peg3

The Front Panel4,5

The Rear panel6

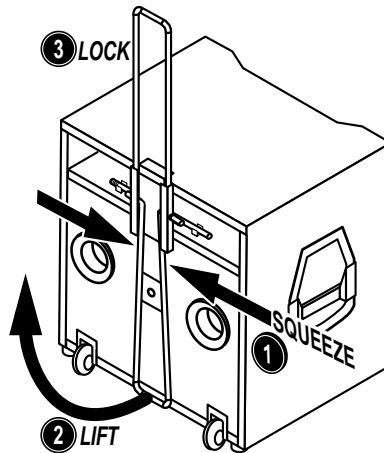
Suggested Settings7

Technial Specificationsback cover

<div style="display: inline-block; text-align: center; margin: 0 10px;"> CAUTION <small>RISK OF ELECTRIC SHOCK DO NOT OPEN</small> </div> <p style="font-size: 8px; margin-top: 5px;">WARNING: TO REDUCE THE RISK OF FIRE OR ELECTRIC SHOCK, DO NOT EXPOSE THIS APPARATUS TO RAIN OR MOISTURE. TO REDUCE THE RISK OF ELECTRIC SHOCK, DO NOT REMOVE COVER. NO USER-SERVICEABLE PARTS INSIDE. REFER SERVICING TO QUALIFIED SERVICE PERSONNEL.</p>	<div style="display: inline-block; text-align: center; margin: 0 10px;"> PRECAUCION <small>RIESGO DE CORRIENTAZO NO ABRA</small> </div> <p style="font-size: 8px; margin-top: 5px;">ADVERTENCIA: REDUCIR EL RIESGO DE FUEGO O CHOQUE ELECTRICO, NO LE EXPONE DE ESTE APARATO A LLUVIA O HUMEDAD. PARA DISMINUIR EL RIESGO DE CORRIENTAZO, NO ABRA LA CUBIERTA. NO HAY PIEZAS ADENTRO QUE EL USUARIO PUEDO REPARAR DE JE TODO MANTENIMIENTO A LOS TECNICOS CALIFICADOS.</p>	<div style="display: inline-block; text-align: center; margin: 0 10px;"> ATTENTION <small>RISQUE D'ELECTROCUTION NE PAS OUVRIE</small> </div> <p style="font-size: 8px; margin-top: 5px;">WARNING: TO REDUCE THE RISK OF FIRE OR ELECTRIC SHOCK, DO NOT EXPOSE THIS APPARATUS TO RAIN OR MOISTURE. POUR REDUIRE D'ELECTROCUTION NE PAS ENLEVER LE COUVERCLE. AUCUNE PIECE INTERNE NEST REPRABLE PAR L'UTILISATEUR. POUR TOUTE REPARATION, S'ADRESSER A UN TECHNICIEN QUALIFIE.</p>									
<p>IMPORTANT SAFETY INSTRUCTIONS</p> <ul style="list-style-type: none"> • READ, FOLLOW, HEED, AND KEEP ALL INSTRUCTIONS AND WARNINGS. • DO NOT OPERATE NEAR ANY HEAT SOURCE AND DO NOT BLOCK ANY VENTILATION OPENINGS ON THIS APPARATUS. • DO NOT USE THIS APPARATUS NEAR SPLASHING, FALLING, SPRAYING, OR STANDING LIQUIDS. • CLEAN ONLY WITH LINT-FREE DAMP CLOTH AND DO NOT USE CLEANING AGENTS. • ONLY CONNECT POWER CORD TO A POLARIZED, SAFETY GROUNDED OUTLET WIRED TO CURRENT ELECTRICAL CODES AND COMPATIBLE WITH VOLTAGE, POWER, AND FREQUENCY REQUIREMENTS STATED ON THE REAR PANEL OF THE APPARATUS. • PROTECT THE POWER CORD FROM DAMAGE DUE TO BEING WALKED ON, PINCHED, OR STRAINED. • UNPLUG THE APPARATUS DURING LIGHTNING STORMS OR WHEN UNUSED FOR LONG PERIODS OF TIME. • ONLY USE ATTACHMENTS, ACCESSORIES, STANDS, OR BRACKETS SPECIFIED BY THE MANUFACTURER FOR SAFE OPERATION AND TO AVOID INJURY. • THIS APPARATUS DOES NOT OPERATE NORMALLY AND REQUIRES SERVICE WITH ANY PHYSICAL DAMAGE FROM IMPACT OR ANY EXPOSURE TO MOISTURE. • SERVICE MUST BE PERFORMED BY QUALIFIED PERSONNEL. • OUR AMPLIFIERS ARE CAPABLE OF PRODUCING HIGH SOUND PRESSURE LEVELS. CONTINUED EXPOSURE TO HIGH SOUND PRESSURE LEVELS CAN CAUSE PERMANENT HEARING IMPAIRMENT OR LOSS. USER CAUTION IS ADVISED AND EAR PROTECTION IS RECOMMENDED IF UNIT IS OPERATED AT HIGH VOLUME. 											
<table style="width: 100%; border: none;"> <tr> <td style="width: 33%; font-size: 8px;">EXPLANATION OF GRAPHICAL SYMBOLS:</td> <td style="width: 33%; text-align: center;"> = 'DANGEROUS VOLTAGE' 'VOLTAJE PELIGROSO' </td> <td style="width: 33%; text-align: right;"> 'IT IS NECESSARY FOR THE USER TO REFER TO THE INSTRUCTION MANUAL' </td> </tr> <tr> <td style="font-size: 8px;">EXPLICACION DE SIMBOLOS GRAFICOS:</td> <td style="text-align: center;"> = 'DANGER HAUTE TENSION' </td> <td style="text-align: right; font-size: 8px;"> 'ES NECESARIO QUE EL USUARIO SE REFIERA AL MANUAL DE INSTRUCCIONES.' </td> </tr> <tr> <td style="font-size: 8px;">EXPLICATION DES SYMBOLES GRAPHIQUES:</td> <td></td> <td style="text-align: right; font-size: 8px;"> 'REFERREZ-VOUS AU MANUAL D'UTILISATION' </td> </tr> </table>			EXPLANATION OF GRAPHICAL SYMBOLS:	= 'DANGEROUS VOLTAGE' 'VOLTAJE PELIGROSO'	'IT IS NECESSARY FOR THE USER TO REFER TO THE INSTRUCTION MANUAL'	EXPLICACION DE SIMBOLOS GRAFICOS:	= 'DANGER HAUTE TENSION'	'ES NECESARIO QUE EL USUARIO SE REFIERA AL MANUAL DE INSTRUCCIONES.'	EXPLICATION DES SYMBOLES GRAPHIQUES:		'REFERREZ-VOUS AU MANUAL D'UTILISATION'
EXPLANATION OF GRAPHICAL SYMBOLS:	= 'DANGEROUS VOLTAGE' 'VOLTAJE PELIGROSO'	'IT IS NECESSARY FOR THE USER TO REFER TO THE INSTRUCTION MANUAL'									
EXPLICACION DE SIMBOLOS GRAFICOS:	= 'DANGER HAUTE TENSION'	'ES NECESARIO QUE EL USUARIO SE REFIERA AL MANUAL DE INSTRUCCIONES.'									
EXPLICATION DES SYMBOLES GRAPHIQUES:		'REFERREZ-VOUS AU MANUAL D'UTILISATION'									

Using the Transport Handle:

- (1) Squeeze the handle together just below the attachment bracket
 - (2) Lift the lower end of the handle up and out in an arcing motion
 - (3) Lock the handle into the attachment bracket in its upright position
- (Reverse the steps to put the handle away)

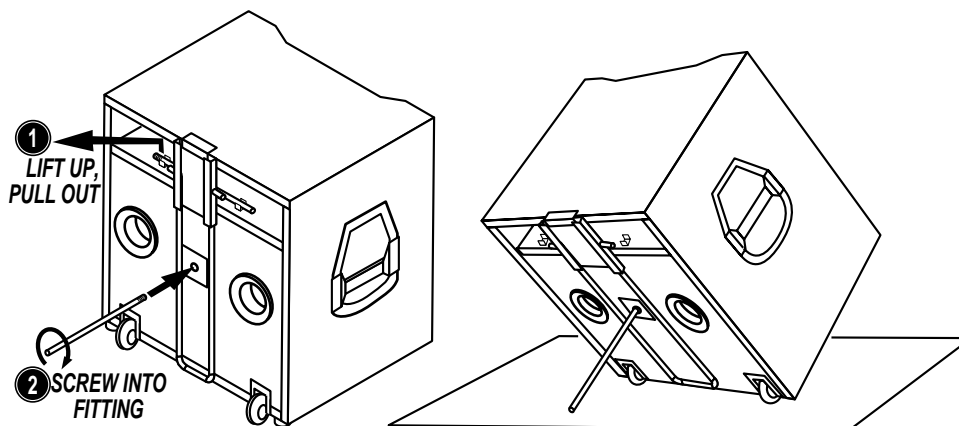


Using the Tilt-Back Peg:

- (1) Lift the tilt-back peg up and out of its retaining clips
- (2) Screw the threaded end of the tilt-back peg into the fitting on the rear of the cabinet

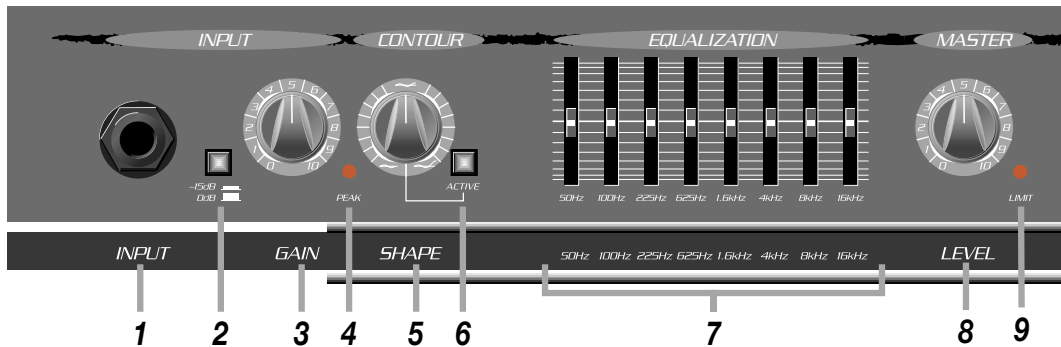
The cabinet may now be used as a personal monitor – tilting it back also increases its range of coverage

(Remove the peg from the fitting and store it in its retaining clips when not in use)



CRATE BFX100T Professional, Transportable Bass Amp with DSP

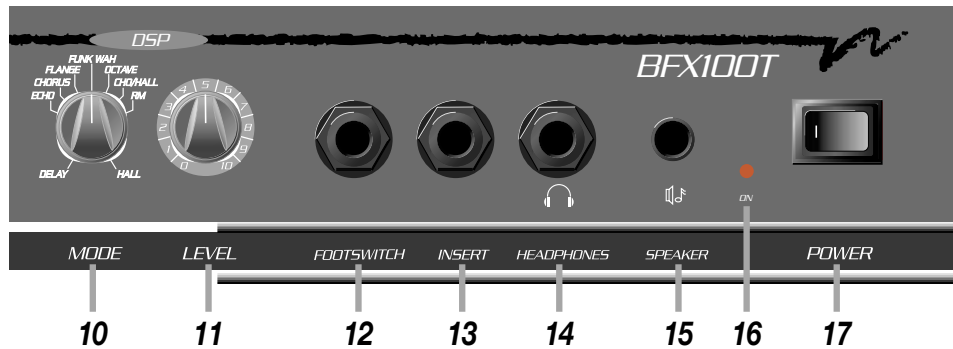
The Front Panel:



- 1. INPUT:** Use this 1/4" jack to connect your guitar to the amplifier by means of a shielded instrument cable.
- 2. -15dB/0dB SWITCH:** This switch, when depressed, attenuates the level of the input signal by 15dB. If the Peak LED (#4) flashes with the Gain control (#3) near fully counter clockwise, depress this switch.
- 3. GAIN:** Use this control to adjust the input signal level for the amplifier. For the best signal to noise ratio, set the Gain control so the Peak LED (#4) flashes only on strong signal peaks.
- 4. PEAK LED:** This LED illuminates when the input signal level nears clipping. Adjust the Gain control (#3) so a strong signal from your instrument causes this LED to flash.
- NOTE:** If the Peak LED flashes frequently with the Gain control (#3) at a low setting, depress the -15dB/0dB switch to engage the attenuator, then readjust the Gain control.
- 5. CONTOUR SHAPE:** Use this control to further expand the tonal characteristics of the amplifier. This lets you "dial in" the exact sound you're looking for. The Contour effect cuts the mid frequencies by 12db, while at the same time it cuts or boosts the highs – in the counter clockwise position, the mid cut is at 1kHz, and the highs are attenuated; in the clockwise position, the mid cut is at 400Hz, and the highs are boosted. This control is only active when the Contour Active switch (#6) is depressed.
- 6. CONTOUR ACTIVE SWITCH:** This switch, when depressed, activates the Contour circuitry. The Contour Shape control (#5) is effective only when this switch is depressed.
- 7. GRAPHIC EQ:** Use these sliders to adjust the output signal to best suit your playing style, to compensate for room acoustics, and to achieve the best sound. Each slider control is centered at the frequency listed beneath it.
- 8. MASTER LEVEL:** Use this control to adjust the output level of the amplifier.
- 9. LIMIT LED:** This LED illuminates when the internal limiter circuit is activated. The limiter circuit prevents the power amplifier from clipping at high output levels. Clipping results in distortion that may damage your speakers.
- 10. DSP MODE:** Use this control to select one of the built-in digital effects. The effects are as follows:

- DELAY:** Slapback delay effect
- ECHO:** Long delay effect with regeneration
- CHORUS:** Chorus effect
- FLANGE:** Light flange effect
- FUNK-WAH:** Touch-sensitive wah-wah ("T-Wah") effect
- OCTAVE:** Adds a secondary note one octave lower than original
- CHO/HALL:** Chorus effect combined with large hall reverb effect
- RM:** Small room reverb effect
- HALL:** Large hall reverb effect

CRATE **BFX100T** Professional, Transportable Bass Amp with DSP



11. DSP LEVEL: Use this control to adjust the amount of digital effect: in its full counter clockwise position the signal will be “dry” (without any effect). As you rotate the control clockwise the amount of effect increases.

12. FOOTSWITCH: Use this jack to connect a one-button footswitch (such as the Crate CFP-1) to the amplifier for remote on/off control of the DSP effects.

13. INSERT: Use this jack to connect an external effects device to the amplifier. Use a stereo 1/4” male Y connector: ring = send, tip = return, sleeve = ground. See the illustration below for additional information.

14. HEADPHONES: Use this jack to connect a pair of stereo headphones to the amplifier for private listening. The internal speaker is disconnected when the headphones jack is used.

15. SPEAKER: Use this jack to connect the amplifier to an extension speaker cabinet. This jack is wired in series with the internal speaker.

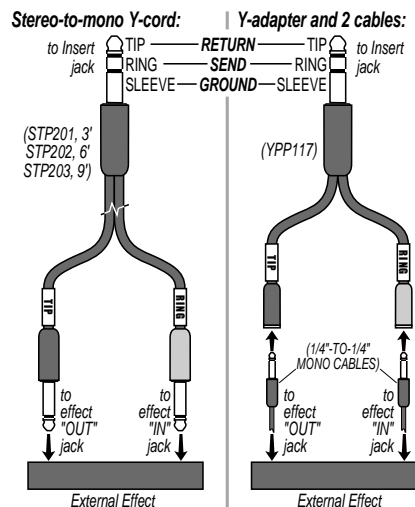
WARNING: TO AVOID POSSIBLE HEARING DAMAGE, DO NOT USE HEADPHONES IN THE SPEAKER JACK!

16. ON LED: This LED illuminates when power is applied to the amplifier.

17. POWER: Use this switch to turn the amplifier on and off.

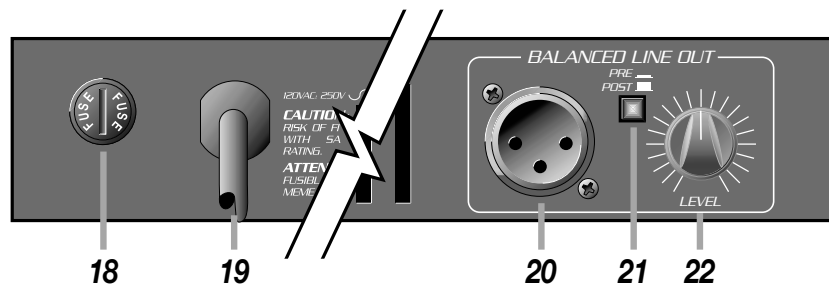
Connecting to the Insert Jack:

The Insert jack (#13) allows you to patch an external effects device into the amplifier prior to its power amp stage. Use Crate’s STP201, STP202 or STP203 stereo-to-mono Y cord or an adapter such as Crate’s YPP117 and two 1/4” mono signal cables to connect the effect as shown to the immediate right.



CRATE BFX100T Professional, Transportable Bass Amp with DSP

The Rear Panel:



18. FUSE: The fuse protects the amplifier from damages caused by a faulty AC power source and/or other problems. If the fuse opens, replace it **ONLY** with the same size and type. If fuses continue to fail, check the AC source – if the source is okay, contact your Crate dealer for service information.

19. AC LINE CORD: This grounded power cord is to be plugged into a grounded power outlet, wired to current electric codes and compatible with voltage, power, and frequency requirements stated on the rear panel. **Do not attempt to defeat the safety ground connection.**

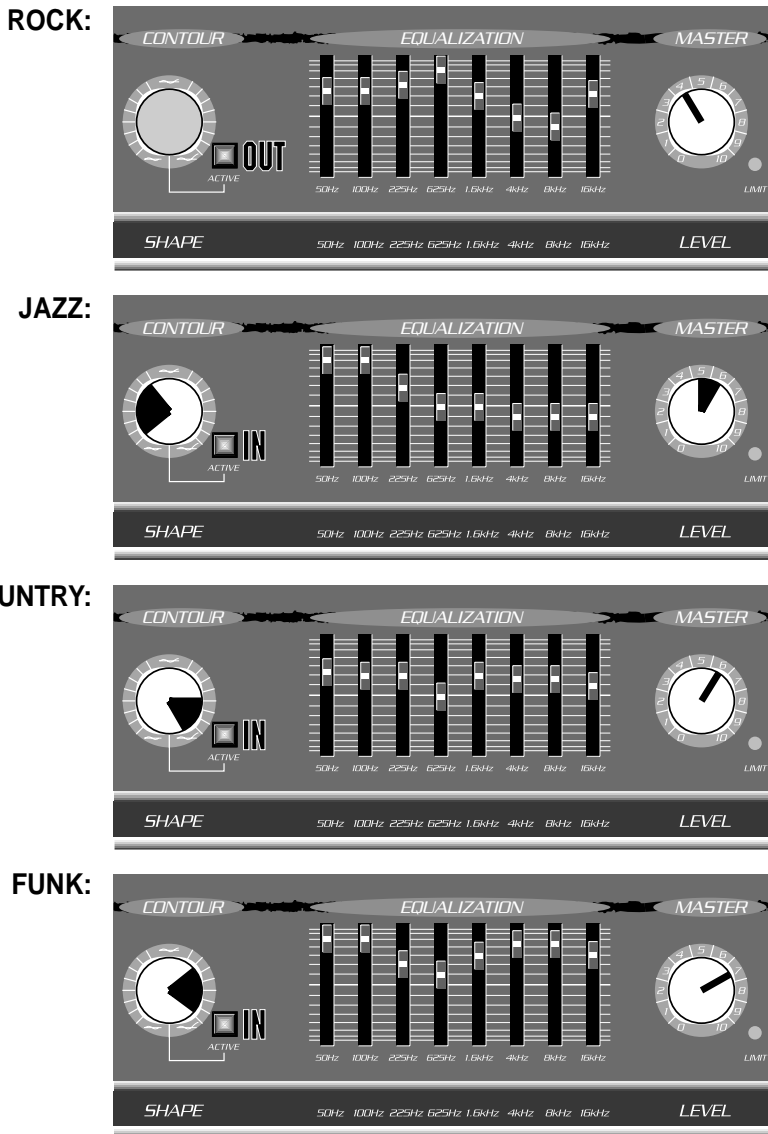
20. BALANCED LINE OUT: Use this XLR-type connector to send a balanced preamp signal to a house mixing board, recording console or an external amplifier.

21. PRE/POST SWITCH: Use this switch to select either a pre EQ or a post EQ signal at the Balanced Line Out jack (#20). When the switch is depressed, the signal is pre EQ – a direct output, not affected by the gain, contour, or graphic EQ. With the switch in the out position, the signal is post EQ – the settings of the aforementioned controls affects the signal.

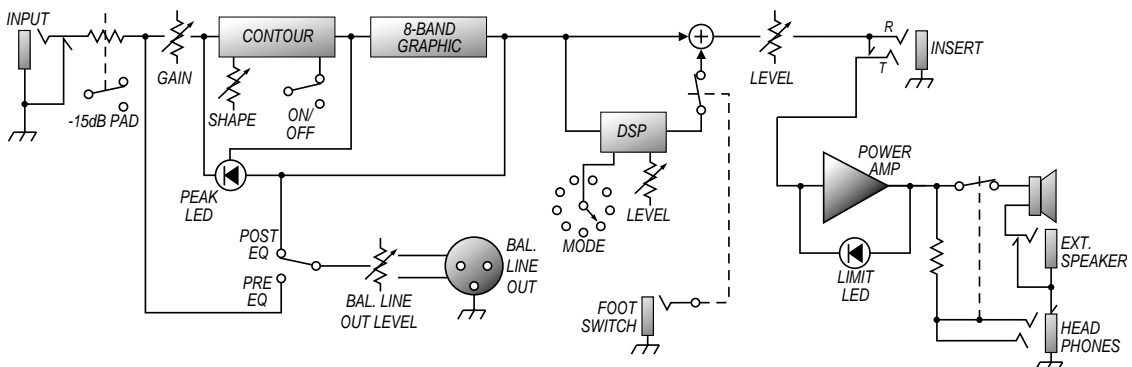
22. BALANCED LINE OUT LEVEL: Use this control to adjust the level of the signal at the Balanced Line Out jack (#20). This control works independently from the Master Level control (#8).

CRATE BFX100T Professional, Transportable Bass Amp with DSP

Suggested Starting Tone Settings:



System Block Diagram:



CRATE *BFX100T Professional, Transportable Bass Amp with DSP*

BFX100T TECHNICAL SPECIFICATIONS:

Output Power Rating	100 watts RMS @ 1% THD 4 ohms, 120 VAC
Speaker Size and Rating	(1) Custom Design 15", 2" voice coil, 150 watts RMS (1) LeSon Dome Tweeter
Graphic Equalizer	24dB range @ 50Hz, 100Hz, 225Hz, 625Hz, 1.6kHz, 4kHz, 8kHz, 16kHz
Input Impedance	200k ohms
Maximum Input Signal Level Accepted	15 volts peak-to-peak
Gain @ 1kHz	65dB w/EQ flat, contour off
Line Output Jack	2 volts peak-to-peak @ full rated power
Balanced Line Out Jack	2 volts peak-to-peak @ full rated power w/600Ω load
Power Requirements	120 VAC, 60Hz, 115VA 100/115VAC, 50/60Hz, 115VA 230VAC, 50/60Hz, 115VA
Size and Weight	21.5" H x 20" W x 16.5" D, 67 lbs.

The BFX100T is covered with a durable black Tolex material: wipe it clean with a lint-free cloth. Never spray cleaning agents onto the cabinet. Avoid abrasive cleansers which would damage the finish.

Crate continually develops new products, as well as improves existing ones. For this reason, the specifications and information in this manual are subject to change without notice.



www.crateamps.com

©2001 SLM Electronics, a division of St. Louis Music, Inc • 1400 Ferguson Avenue • St. Louis, MO 63301
47-949-01 • 05/01

Free Manuals Download Website

<http://myh66.com>

<http://usermanuals.us>

<http://www.somanuals.com>

<http://www.4manuals.cc>

<http://www.manual-lib.com>

<http://www.404manual.com>

<http://www.luxmanual.com>

<http://aubethermostatmanual.com>

Golf course search by state

<http://golfingnear.com>

Email search by domain

<http://emailbydomain.com>

Auto manuals search

<http://auto.somanuals.com>

TV manuals search

<http://tv.somanuals.com>