

CRATE[®]

GX-40M GUITAR AMPLIFIER



OWNER'S MANUAL

Congratulations!

You are now the proud owner of the compact but powerful Crate GX-40M amplifier. Featuring a "Clean" channel with a 3-band EQ and Level control, and an "Overdrive" channel with our patented "Flex-Wave" circuitry with Gain, Level and Crate's Shape control, plus Chorus and Reverb, The GX-40M offers you more flexibility and performance than any amp in its class. A special damping circuit simulates the "current source" type of output of a tube amp, giving you solid state reliability combined with classic tube sounds.

Like all Crate products, your GX-40M is Musician Made in the U.S.A., using only the best components. Extensive testing at the hands (and ears) of skilled technicians and musicians insures you that this amplifier is the absolute best it can be.

In order to get the most out of your new amplifier, we strongly urge you to go over the information contained in this manual before you begin playing.

And ***thank you*** for choosing **CRATE[®]**



1: INPUT: Connect your guitar here using a shielded instrument cable.

OVERDRIVE CHANNEL: *A high gain channel giving you sounds from a slight edge to serious overdrive.*

2: GAIN: This control sets the amount of compression and distortion from the amplifier. With the control towards far left, the sound will have a thick compressed quality. As you turn the control to the right the amount of distortion increases. Crate's exclusive "Flex Wave" circuitry uses sequential cascading gains to deliver distortion which is rich in harmonics and "touch sensitive." Use this control along with the Shape and Level controls (#3 and 4) to create a wide variety of sounds.

3: SHAPE: To quickly "dial in" just the right distortion sound, simply rotate the Shape control until you find the sound you're looking for. Adjusting the "shape" of the distortion wave produces a wide variety of tone combinations, allowing you to tailor the sound to best suit your needs. In essence, turning the control towards the left enhances the mid frequencies; turning it to the right enhances the low and high frequencies.

4: LEVEL: This control sets the output volume level from the Overdrive channel: in the far-left position there will be no output; as you turn the control to the right the output increases.

Use this control along with the Gain control (#2) to create a wide variety of sounds.

5: OVERDRIVE SELECT: When this pushbutton switch is pressed in the Overdrive channel is engaged. The clean channel is selected when this switch is out. A footswitch (see #14) overrides this switch.

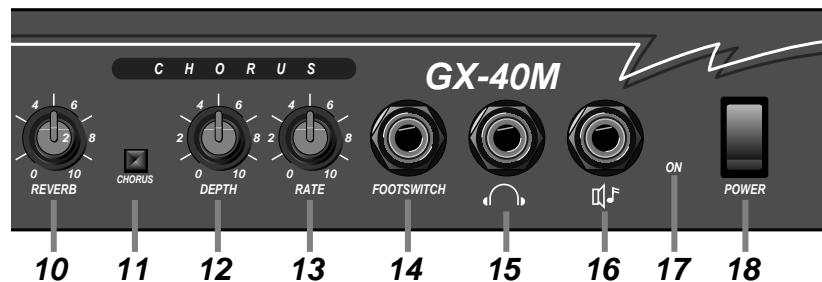
CLEAN CHANNEL: *A normal gain channel designed to give you crystal clear sounds to medium distortion.*

6: LEVEL: This control sets the output volume level from the Clean channel: in the far-left position there will be no output; as you turn the control to the right the output level increases. The far right setting is maximum output - as you increase the level, roll back the Low control (#7).

7: LOW: Adjust the low frequency output level with this control: turning the control to the left reduces the low frequency output; turning it to the right increases the low frequency output. The Low control allows a total range of 25dB of boost or cut at 80Hz. Due to the massive amount of low end available, you may want to "roll off" the bass at high volumes.

8: MID: Adjust the mid frequency output level with this control: the center position is "flat" (no boost or cut). Turning the control to the left reduces the midrange output; turning it to the

CRATE® GX-40M Amplifier



right increases the midrange output. The Mid control allows for 19dB of boost or cut at 900Hz.

9: HIGH: Adjust the high frequency output level with this control: in the center position the high frequency output will be “flat” (no boost or cut). Turning the control to the left reduces the high frequency output; turning it to the right increases the high frequency output. The High control allows a total range of 23dB of boost or cut at 5kHz.

10: REVERB: Adjust the amount of Reverb effect with this control: in its full-left position the signal will be “dry” (without any reverb). As you turn the control to the right the amount of reverberation increases.

11: CHORUS ON: To activate the Chorus effect, press this switch in. (This switch is disabled when a footswitch is plugged in – see #14)

12: DEPTH: Adjust the overall amount of chorus with this control: to the left for slow, smooth “phasing” sounds, to the right for faster “vibrato” sounds.

13: RATE: Adjust the speed of the chorus effect with this control: to the left for a little effect, to the right for a lot.

14: FOOTSWITCH: Plug a dual footswitch (such as the Crate CFP-2) here to control channel selection and chorus on/off. (Tip = channels, ring =

chorus, sleeve = ground.)

15: HEADPHONES: For private practice sessions, plug a pair of stereo headphones into this jack. The internal speaker is disconnected whenever headphones are being used.

16: EXTERNAL SPEAKER: You may connect the GX-40M to an external speaker with a rated impedance of at least 4 ohms using this jack. The internal speaker is disconnected whenever an external speaker is used.

WARNING: DO NOT attempt to use headphones in the Speaker jack! Permanent hearing damage could result!

17: ON LED: The word “ON” will glow when you turn on the GX-40M, showing you that the amplifier is activated and ready to play.

18: POWER: This heavy-duty rocker-type switch is used to turn the amplifier ON in the up position, off in the down position. The ON LED (#17) works with this switch as a visual indicator.

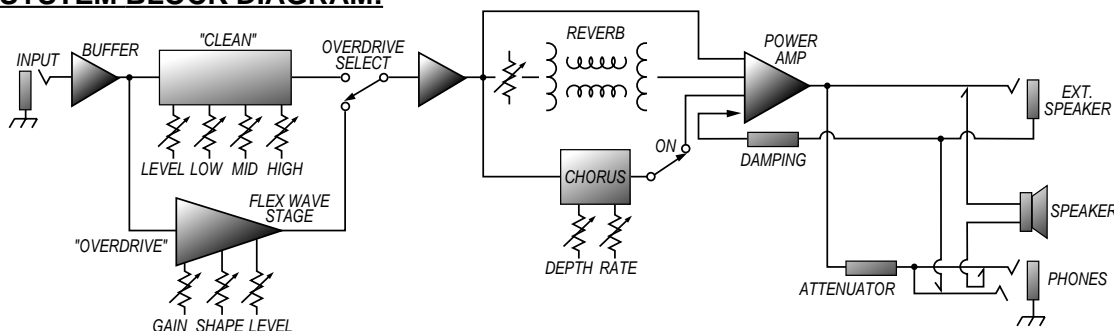
19: POWER CORD: (Rear panel, not shown: This heavy-duty, grounded, three-wire power cord is to be plugged into ONLY a safely-wired, grounded 120 volt, 60 cycle AC power outlet. DO NOT attempt to defeat the ground connection of this cable!

CRATE[®] GX-40M Amplifier

GX-40M TECHNICAL SPECIFICATIONS:

Output Power Rating	>30 watts RMS @ 5% THD 4 ohms, 120 VAC
Gain, Overdrive Channel	86 +/-6dB @ 1kHz
Gain, Clean Channel	46 +/-6dB @ 1kHz
Tone Control Range, Low	25dB @ 80Hz
Tone Control Range, Mid	19dB @ 900Hz
Tone Control Range, High	23dB @ 5kHz
Signal To Noise, Overdrive Channel	>50dB
Signal To Noise, Clean Channel	>65dB
Maximum Signal Accepted	>1.2 volts RMS min. @ 400Hz
Internal Speaker	12" Crate Custom Design 4 ohm
Power Requirements	120 VAC, 60Hz, 50 watts max.
Size and Weight	17.5" H x 18" W x 10" D, 19 lbs. 445mm H x 457mm W x 254mm D, 8.6kg.

SYSTEM BLOCK DIAGRAM:



The GX-40M is covered with a durable black Tolex material: wipe it clean with a lint-free cloth. Never spray cleaning agents onto the cabinet. Avoid abrasive cleansers which could damage the finish.

CAUTION
RISK OF ELECTRIC SHOCK
DO NOT OPEN

CAUTION: TO REDUCE THE RISK OF ELECTRIC SHOCK, DO NOT REMOVE COVER. NO USER-SERVICEABLE PARTS INSIDE. REFER SERVICING TO QUALIFIED SERVICE PERSONNEL.

ATTENTION
RISQUE D'ELECTROCUTION
NE PAS OUVRIR

ATTENTION: POUR REDUIRE D'ELECTROCUTION NE PAS ENLEVER LE COUVERCLE. AUCUNE PIECE INTERNE N'EST REPRABLE PAR L'UTILISATEUR. POUR TOUTE REPARATION, S'ADRESSER A UN TECHNICIEN QUALIFIE.

VORSICHT
ELEKTRISCHE SCHLAGEGFAHR
NICHT OFFENEN

VORSICHT: ZUR MINIMIERUNG ELEKTRISCHER SCHLAGEGFAHR NICHT DEN DECKEL ABENHMEN. INTERNE TEILE KONNEN NICHT VOM BENUTZER GEWARTET WERDEN. DIE WARTUNG IS QUALIFIZIERTEM WARTUNGSPERSONAL ZU UBERLASSEN.

THIS EQUIPMENT HAS BEEN DESIGNED AND ENGINEERED TO PROVIDE SAFE AND RELIABLE OPERATION. IN ORDER TO PROLONG THE LIFE OF THE UNIT AND PREVENT ACCIDENTAL DAMAGES OR INJURY, PLEASE FOLLOW THESE PRECAUTIONARY GUIDELINES:

CAUTION: TO REDUCE THE RISK OF ELECTRIC SHOCK, DO NOT OPEN CHASSIS; DO NOT DEFEAT OR REMOVE THE GROUND PIN OF THE POWER CORD; CONNECT ONLY TO A PROPERLY GROUNDED AC POWER OUTLET.

WARNING: TO REDUCE THE RISK OF FIRE OR ELECTRIC SHOCK, DO NOT EXPOSE THIS EQUIPMENT TO RAIN OR MOISTURE.

CAUTION: NO USER-SERVICEABLE PARTS INSIDE. REFER SERVICING TO QUALIFIED SERVICE PERSONNEL.

CAUTION: OUR AMPLIFIERS ARE CAPABLE OF PRODUCING HIGH SOUND PRESSURE LEVELS. CONTINUED EXPOSURE TO HIGH SOUND PRESSURE LEVELS CAN CAUSE PERMANENT HEARING IMPAIRMENT OR LOSS. USER CAUTION IS ADVISED AND EAR PROTECTION IS RECOMMENDED IF UNIT IS OPERATED AT HIGH VOLUME.

EXPLANATION OF GRAPHICAL SYMBOLS:

EXPLICACION DE SIMBOLOS GRAFICOS:

EXPLICATION DES SYMBOLES GRAPHIQUES:



"DANGEROUS VOLTAGE"
"VOLTAJE PELIGROSO"
"DANGER HAUTE TENSION"
"GEFAHLICHE SPANNUNG"



"IT IS NECESSARY FOR THE USER TO REFER TO THE INSTRUCTION MANUAL"
"ES NECESARIO QUE EL USUARIO SE REFIERA AL MANUAL DE INSTRUCCIONES."
"REFERREZ-VOUS AU MANUAL D'UTILISATION"
"UNBEDINGT IN DER BEDIENUNGSANLEITUNG NACHSCHLAGEN"

Crate continually develops new products, as well as improves existing ones. For this reason, the specifications and information in this Crate manual are subject to change without notice.

CRATE[®]



©1996 SLM ELECTRONICS, A DIVISION OF ST. LOUIS MUSIC, 1400 FERGUSON, ST. LOUIS, MO. 63133

P/N 47-421-02 • 04/96

Free Manuals Download Website

<http://myh66.com>

<http://usermanuals.us>

<http://www.somanuals.com>

<http://www.4manuals.cc>

<http://www.manual-lib.com>

<http://www.404manual.com>

<http://www.luxmanual.com>

<http://aubethermostatmanual.com>

Golf course search by state

<http://golfingnear.com>

Email search by domain

<http://emailbydomain.com>

Auto manuals search

<http://auto.somanuals.com>

TV manuals search

<http://tv.somanuals.com>