

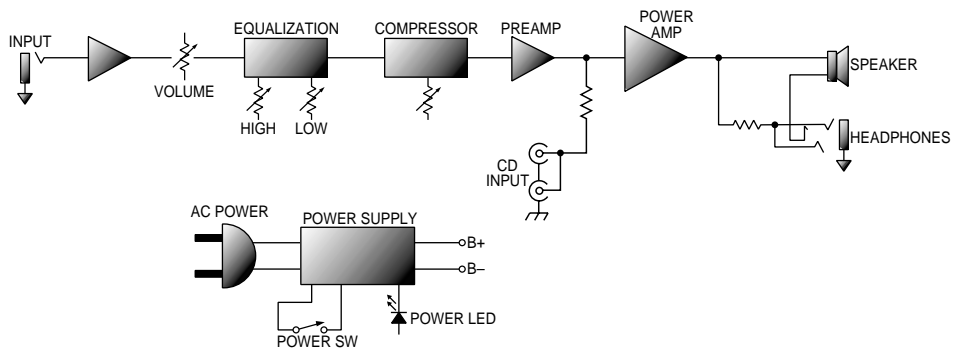
**TB10 TECHNICAL SPECIFICATIONS**

Output Power Rating	15 watts
THD	0.9% 20Hz - 20kHz
Input Signal Level	150mV
Input Impedance	600 ohms
Speaker	8" 8 ohm 30 watt
Input Power Requirements	120 VAC, 60Hz, 30VA 230VAC, 50Hz, 30VA
Cabinet Size and Weight	13-3/4" H x 12-1/2" W x 8-1/2" D, 17 lbs.

The TB10 is covered with a durable Tolex material: wipe it clean with a lint-free cloth. Never spray cleaning agents onto the cabinet. Avoid abrasive cleansers which would damage the finish.

*Crate continually develops new products, as well as improves existing ones. For this reason, the specifications and information in this manual are subject to change without notice.*

**Block Diagram:**



# TB10

## Bass Amplifier



www.crateamps.com

©2004 SLM Electronics, a division of St. Louis Music, Inc • 1400 Ferguson Avenue • St. Louis, MO 63133  
18-950-01 • 051204

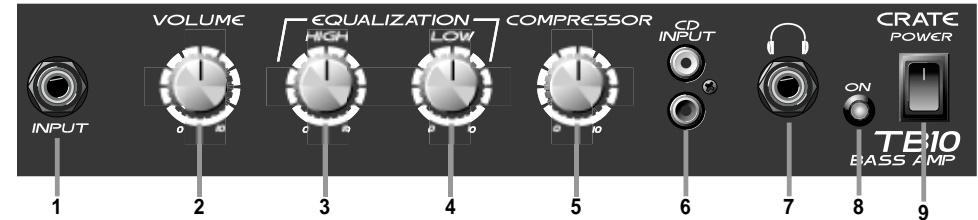
## User's Guide

**Congratulations!**

You are now the proud owner of the compact Crate TB10 Bass Amplifier. The TB10 features two bands of equalization, a variable Compressor, CD Input jacks, and a jack for headphones.

In order to get the most out of your new amplifier, we strongly urge you to go over the information contained in this user's guide before you begin playing.

And **thank you** for choosing Crate.



1. **INPUT:** Connect your bass here by means of a shielded instrument cable.
2. **VOLUME:** Use this control to adjust the overall output level of the amp.
3. **HIGH:** Use this control to adjust the high frequency output level. Rotating the control counterclockwise reduces the high frequency output, rotating the control clockwise increases it.
4. **LOW:** Use this control to adjust the low frequency output level. Rotating the control counterclockwise reduces the low frequency output, rotating the control clockwise increases it.
5. **COMPRESSOR:** Use this control to adjust the amount of signal compression - rotating the knob clockwise increases the effect. Compression is a dynamic sonic effect that smoothes the output level regardless of how hard or softly the strings are played. The compressor circuit will remove harshness without affecting the tone.
6. **CD INPUT:** Use these RCA jacks to connect an external source (such as a CD player, tape player or rhythm machine) to the amplifier. The signal at these jacks is summed into a mono signal which is sent to the internal power amp circuit. Use the external source's output level control to adjust the signal for the proper mix with your instrument.
7. **HEADPHONES:** Use this jack to connect a pair of stereo headphones for private listening. The internal speaker is disconnected when this jack is used.
8. **ON LED:** This LED illuminates when the amplifier is on.
9. **POWER SWITCH:** Use this switch to turn the amplifier on (top of the switch depressed) and off (bottom of the switch depressed).
10. **AC LINE IN: (Rear panel, not shown)** The grounded power cord should only be plugged into a grounded outlet that meets all applicable electrical codes and is compatible with the voltage, power, and frequency requirements stated on the rear label. **DO NOT attempt to defeat the safety ground connection.**

<p><b>CAUTION</b> RISK OF ELECTRIC SHOCK DO NOT OPEN</p>	<p><b>PRECAUCION</b> RIESGO DE CORRIENTAZO NO ABRA</p>	<p><b>ATTENTION</b> RISQUE D'ELECTROCUTION NE PAS OUVRI</p>
<p>WARNING: TO REDUCE THE RISK OF FIRE OR ELECTRIC SHOCK, DO NOT EXPOSE THIS APPARATUS TO RAIN OR MOISTURE. TO REDUCE THE RISK OF ELECTRIC SHOCK, DO NOT REMOVE COVER. NO USER-SERVICEABLE PARTS INSIDE. REFER SERVICING TO QUALIFIED SERVICE PERSONNEL.</p>	<p>PRECAUCION: PARA REDUCIR EL RIESGO DE INCENDIOS O DESCARGAS ELECTRICAS, NO PERMITA QUE ESTE APARATO QUEDE EXPUERTO A LA LLUVIA O LA HUMEDAD. PARA DISMINUIR EL RIESGO DE CORRIENTAZO, NO ABRA LA CUBIERTA. NO HAY PIEZAS ADENTRO QUE EL USUARIO PUEDA REPARAR DELE TODO MANTENIMIENTO A LOS TECNICOS CALIFICADOS.</p>	<p>ATTENTION: PROTEGEZ CET APPAREIL DE LA PLUIE ET DE L'HUMIDITE AFIN D'EVITER TOUT RISQUE D'INCENDIE OU D'ELECTROCUTION. POUR REDUIRE D'ELECTROCUTION NE PAS ENLEVER LE COUVERCLE. AUCUNE PIECE INTERNE N'EST REPARABLE PAR L'UTILISATEUR. POUR TOUTE REPARATION, S'ADRESSER A UN TECHNICIEN QUALIFIE.</p>
<p><b>IMPORTANT SAFETY INSTRUCTIONS</b></p> <ul style="list-style-type: none"> <li>• READ, FOLLOW, HEED, AND KEEP ALL INSTRUCTIONS AND WARNINGS.</li> <li>• DO NOT OPERATE NEAR ANY HEAT SOURCE AND DO NOT BLOCK ANY VENTILATION OPENINGS ON THIS APPARATUS. FOR PROPER OPERATION, THIS UNIT REQUIRES 3" (75mm) OF WELL VENTILATED SPACE AROUND HEATSINKS AND OTHER AIR FLOW PROVISIONS IN THE CABINET.</li> <li>• DO NOT USE THIS APPARATUS NEAR SPLASHING, FALLING, SPRAYING, OR STANDING LIQUIDS.</li> <li>• CLEAN ONLY WITH LINT-FREE DAMP CLOTH AND DO NOT USE CLEANING AGENTS.</li> <li>• ONLY CONNECT POWER CORD TO A POLARIZED, SAFETY GROUNDED OUTLET WIRED TO CURRENT ELECTRICAL CODES AND COMPATIBLE WITH VOLTAGE, POWER, AND FREQUENCY REQUIREMENTS STATED ON THE REAR PANEL OF THE APPARATUS.</li> <li>• PROTECT THE POWER CORD FROM DAMAGE DUE TO BEING WALKED ON, PINCHED, OR STRAINED.</li> <li>• UNPLUG THE APPARATUS DURING LIGHTNING STORMS OR WHEN UNUSED FOR LONG PERIODS OF TIME.</li> <li>• ONLY USE ATTACHMENTS, ACCESSORIES, STANDS, OR BRACKETS SPECIFIED BY THE MANUFACTURER FOR SAFE OPERATION AND TO AVOID INJURY.</li> <li>• WARNING: TO REDUCE THE RISK OF ELECTRIC SHOCK OR FIRE, DO NOT EXPOSE THIS UNIT TO RAIN OR MOISTURE.</li> <li>• SERVICE MUST BE PERFORMED BY QUALIFIED PERSONNEL.</li> <li>• OUR AMPLIFIERS ARE CAPABLE OF PRODUCING HIGH SOUND PRESSURE LEVELS. CONTINUED EXPOSURE TO HIGH SOUND PRESSURE LEVELS CAN CAUSE PERMANENT HEARING IMPAIRMENT OR LOSS. USER CAUTION IS ADVISED AND EAR PROTECTION IS RECOMMENDED IF UNIT IS OPERATED AT HIGH VOLUME.</li> </ul>		
<p>EXPLANATION OF GRAPHICAL SYMBOLS: EXPLICACION DE SIMBOLOS GRAFICOS: EXPLICATION DES SYMBOLES GRAPHIQUES:</p>	<p> = "DANGEROUS VOLTAGE" "VOLTAJE PELIGROSO" "DANGER HAUTE TENSION"</p>	<p> = "IT IS NECESSARY FOR THE USER TO REFER TO THE INSTRUCTION MANUAL." "ES NECESARIO QUE EL USUARIO SE REFIERA AL MANUAL DE INSTRUCCIONES." "REFERREZ-VOUS AU MANUAL D'UTILISATION"</p>

## Free Manuals Download Website

<http://myh66.com>

<http://usermanuals.us>

<http://www.somanuals.com>

<http://www.4manuals.cc>

<http://www.manual-lib.com>

<http://www.404manual.com>

<http://www.luxmanual.com>

<http://aubethermostatmanual.com>

Golf course search by state

<http://golfingnear.com>

Email search by domain

<http://emailbydomain.com>

Auto manuals search

<http://auto.somanuals.com>

TV manuals search

<http://tv.somanuals.com>