

Credaplan

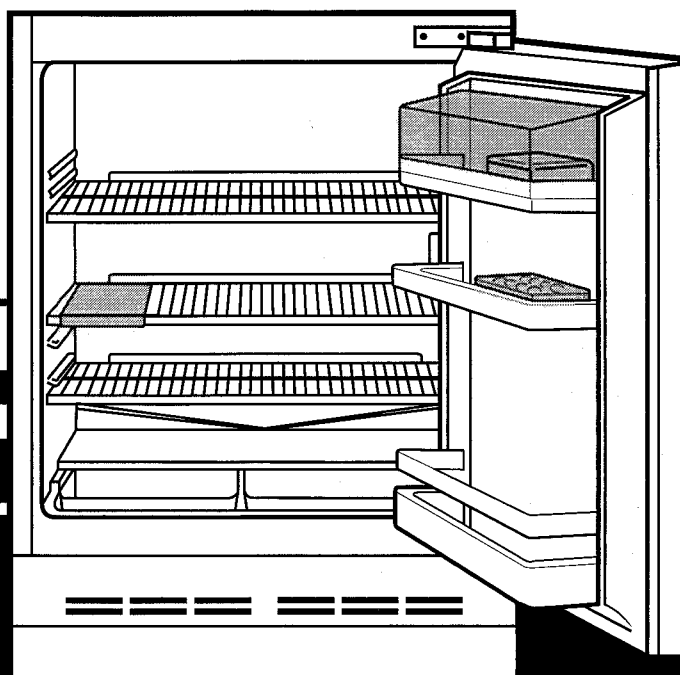
MODEL 46108

ATTENTION – You must read these instructions
prior to installing and using the appliance
and retain them for future reference

PART NO. 461000203 V

Operation and Installation Instructions

7081 240 4/94 KIU. O



The life-expired appliance contains valuable materials. Make sure that the refrigerant circuit's pipes on the old, life-expired appliance are not damaged before it can be taken to a suitable refuse dump. This will ensure that the refrigerant contained inside is not released to the environment.

● Please take packaging and the unwanted appliance to the nearest official disposal point. This is to ensure that the various materials can be re-used or recycled, and will help to avoid waste.

These operating instructions describe all available controls and equipment items for the appliance. Please bear in mind that individual models may differ slightly, according to specification.

Air supply and ventilation

Always ensure that the appliance is well ventilated. Do not cover the ventilation grille when installing in a kitchen furniture unit.

Note the installation instructions for built in use at the end of these operating instructions.

Power supply

The **power supply (AC) and voltage** at the point of operation must agree with the details on the type plate, which is located on the left inside panel next to the vegetable drawers.

To ensure troublefree operation, do not connect the appliance to the power supply until about 1/2 to 1 hour after delivery. After this, connect the appliance with a properly earthed plug and socket, preferably located for easy access, not directly behind the appliance.

Electrical Requirements

Warning – this appliance must be earthed. Refer to rating plate for voltage.

The flexible mains lead is supplied connected to a B.S. 1363 fused plug having a fuse of 13 amp capacity.

Should this plug not fit the socket outlets in your home, it should be cut off and replaced with a suitable plug, following the procedure outlined below:–

Note: Such a plug cannot be used for any other appliance and should therefore be properly disposed of and not left where children might find it and plug it into a supply socket – with the obvious consequent danger.

N.B. We recommend the use of good quality plugs and wall sockets that can be switched off when the machine is not in use.

Important: The wires in the mains lead fitted to this appliance are coloured in accordance with the following code:

Green and yellow – earth

Blue – neutral

Brown – live

As the colours of the wires in the mains lead of this appliance may not correspond with the coloured markings identifying the terminals in your plug, proceed as follows: –

The wire which is coloured green and yellow must be connected to the terminal in the plug which is marked with the letter E or by the earth symbol \perp or coloured green or green and yellow.

The wire which is coloured blue must be connected to the terminal which is marked with the letter N or coloured black.

The wire which is coloured brown must be connected to the terminal which is marked with the letter L or coloured red.

When wiring the plug, ensure that all strands of wire are securely retained in each terminal. Do not forget to tighten the mains lead clamp on the plug. If your electricity supply point has only two pin socket outlets, **or if you are in doubt, consult a qualified electrician.**

Should the mains lead ever require replacement, it is essential that this operation is carried out by a qualified electrician and should only be replaced with a flexible cord of the same size i.e. 1.25 mm².

After replacement of a fuse in the plug, the fuse cover must be refitted. If the fuse cover is lost, the plug must not be used until a replacement cover is obtained. The colour of the correct replacement fuse cover is that of the coloured insert in the base of the plug or the colour that is embossed in words in the base of the fuse recess or elsewhere on the plug. Always state this colour when ordering a replacement fuse cover.

Only 13 amp replacement fuses which are ASTA approved to B.S. 1362 should be fitted.

This appliance conforms to BS. 800: 1983 and EEC directive 87/308 regarding suppression of radio and television reception interference.

1

Switching the appliance on and off

● You are recommended to clean inside the appliance before switching on (see "Cleaning" for further information).

Turn temperature regulator ① clockwise from position "0" to position "1". The refrigerator is switched off when set to "0" (fig. A).

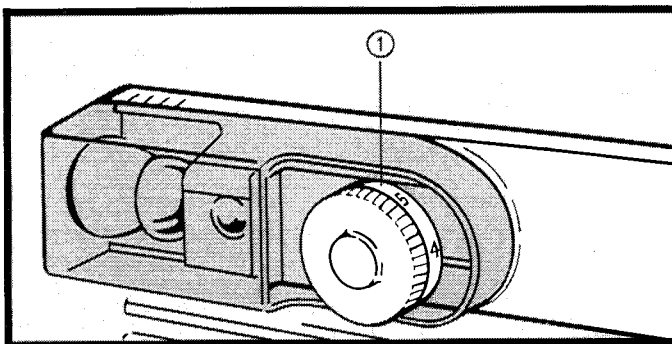


Fig. A

Temperature adjustment

The temperature is selected at the temperature regulator ①.

Position "1" = Minimum cooling

Position "7" = Maximum cooling

Select a control setting to suit your requirements.

We recommend a mid-range setting.

Please note that when the temperature regulator is reset, a certain amount of time is required before the new temperature is reached; interior temperatures also depend on ambient temperature, how often the door is opened and the amount of food inside the appliance.

2

Cold storage

Due to air circulation inside the refrigerator compartment, there are various temperature zones. The coolest areas are immediately above the vegetable trays and at the rear.

Storage example (fig. B):

- ① Butter, cheese
- ② Eggs
- ③ Bottles, cans
- ④ Preserved food
- ⑤ Pastries, prepared meals, dairy produce
- ⑥ Meat, sausage
- ⑦ Fruit, vegetables, salads, fresh herbs

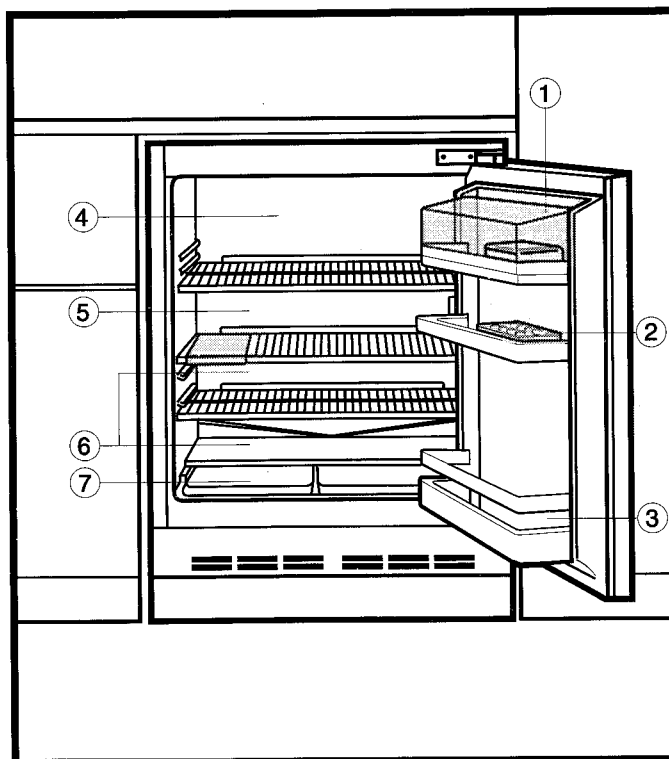


Fig. B

2

Equipment

The shelves can be inserted at various heights to accommodate the items stored in the refrigerator. To remove a shelf, pull it halfway out and then tilt it down or up to pull it out (fig. **A**). Always insert the shelf with the stop bar or edge facing upwards at the back, to prevent the contents freezing to the back of the appliance.

Additional space for storing tall bottles or containers can be obtained by folding the plastic tray in the full shelf up to one side (fig. **B**).

The door shelves can be removed when cleaning.

- Push up the shelf at the side and remove from the front – to replace the shelf, insert the left retaining pin in the rail and snap the right side in place (fig. **C**).
- **Fill the holes in the rails with the plastic plugs supplied.**

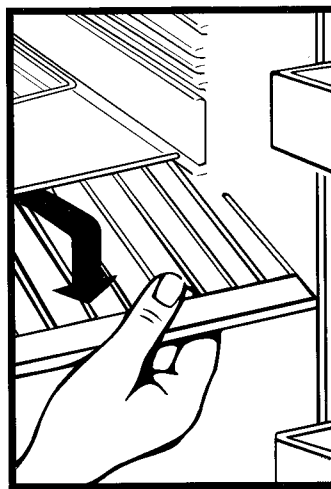


Fig. **A**

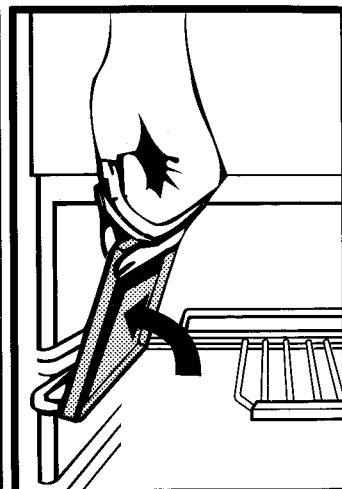


Fig. **B**

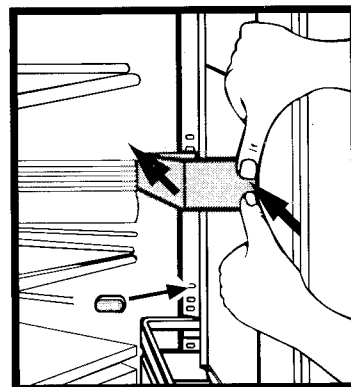


Fig. **C**

3

Defrosting

Refrigerator with automatic defrosting

Refrigerators with foamed-in evaporators in the rear wall are automatically defrosted. The melted ice collects in a tray and is evaporated automatically. Make sure that the water can run through the drain opening in the rear of the appliance, above the vegetable trays.

If necessary, pierce the drain opening with a sharp instrument to unblock it (fig. A).

Cleaning

Before cleaning, always disconnect the mains plug or fuse.

Food left in the refrigerator may start to smell. You are therefore recommended to clean the appliance regularly.

Clean the refrigerator compartment with lukewarm water and a small amount of washing-up liquid. Wipe down with clean water and dry thoroughly with a cloth. Never use abrasive cleaning agents.

If the appliance is to remain out of use for any length of time, it should be emptied, cleaned and the door left open to prevent odours from building up.

Interior light

Bulb data: 240 V, 15 W

Bulb holder: 14 E (never use a bulb rated at more than 15 W).

Before renewing the bulb, **always disconnect the mains plug or fuse.**

● Access to the bulb is from the rear, behind the cover. Unscrew and renew the bulb, fig. C.

IMPORTANT: You must not operate the appliance without the bulb secured in its housing.

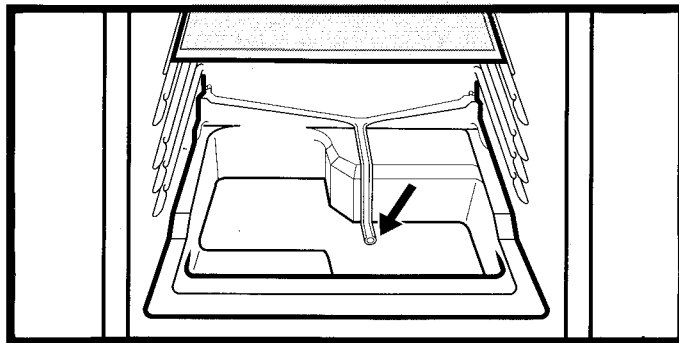


Fig. A

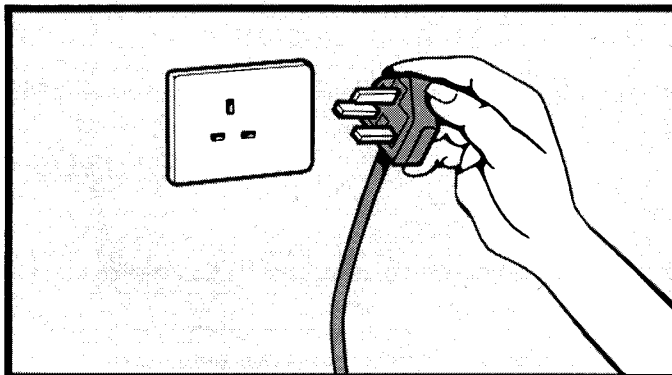


Fig. B

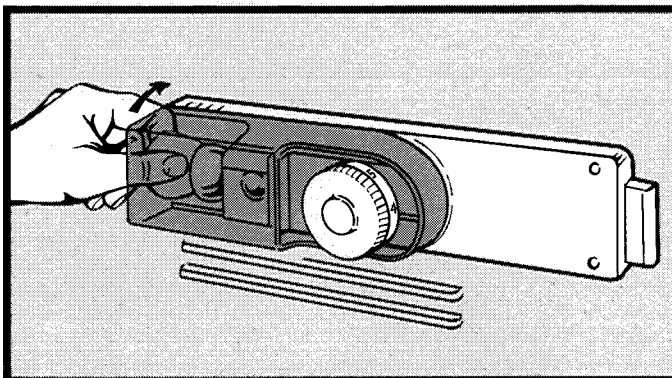


Fig. C

Notes on saving energy

- Avoid positioning the refrigerator next to heating or cooking appliances, as high ambient temperatures cause the compressor to cut in with excessive frequency and increase energy consumption unnecessarily.
- Ensure that the ventilation slots are not covered and make sure that there is a good supply of air to the compressor and also adequate ventilation.
- Allow warm food to cool to room temperature before placing in the appliance.
- Select the temperature setting according to the goods stored.
- Keep all foodstuffs well packed and covered to avoid frosting in the appliance.
- Avoid opening the door unnecessarily and for lengthy periods.

Faults

Your refrigerator is designed and built to ensure freedom from faults for a very long period of operation.

In the unlikely event of a fault occurring during operation, please consult the nearest service point, but check first that the fault is not due to an operating error. Wasted journeys have to be charged to the customer even during the warranty period.

You can repair the following faults yourself by checking their possible causes:

- Appliance does not run:
 - Appliance is not switched on properly.
 - Mains plug not properly inserted in the socket.
 - Fuse for plug/socket has blown.
- Interior light does not come on in refrigerator compartment:
 - Temperature control is at "0".
 - Bulb has blown.
Change the bulb as described at "Interior light".
- Excessive noise from appliance:
 - It is not standing securely on the ground or the compressor is causing furniture or other objects to vibrate.
Make sure that movement of all rear-mounted components is not hindered; carefully bend away any components making unnecessary contact.
 - Please note that a certain amount of noise from the refrigerating circuit is inevitable.
- The temperature inside the refrigerator compartment is not low enough:
 - The temperature adjuster is at the wrong setting. Move to a colder setting if necessary.
 - A thermometer placed inside the appliance is showing a false reading.
 - The door is not properly closed or is opened too frequently.
 - The air supply to the appliance is poor or there is inadequate ventilation. The vent grille is covered over.
 - The appliance is located too near a source of heat.

If none of these circumstances applies and you are unable to rectify the fault, please contact the nearest service point. Always quote the complete type designation, spare parts index and appliance number. The type plate is located on the left inside panel next to the vegetable trays.

The refrigeration circuit has been tested for leaks.

The appliance complies with the relevant safety regulations. Electrical appliances should only be repaired by qualified electricians. Repairs carried out improperly may expose the user to considerable danger.

The appliance is interference-suppressed to EN 55014 and thus complies with EC directive 87/308 EEC.

The manufacturer is continuously developing all types and models and must therefore reserve the right to modify designs, equipment and technical features.

1

Conversion and setting-up instructions

Installing door hinges on opposite side (if necessary)

- Slacken off the retaining screws ① on the appliance (detail, fig. A)
- Lift out the door
- Lever off cover caps ③ with a knife blade
- Insert retaining screws ① on opposite side (screws in for a short distance)
- Remove the door retaining screws ② and relocate the hinges acc. to fig. A
- Locate the door in positioned screws ① and tighten the screws. Slide hinge as far as hole so that the screw can be properly tightened in the cut-out provided (otherwise the interior light might not go out).
- Insert the cover caps ③ in the exposed holes.

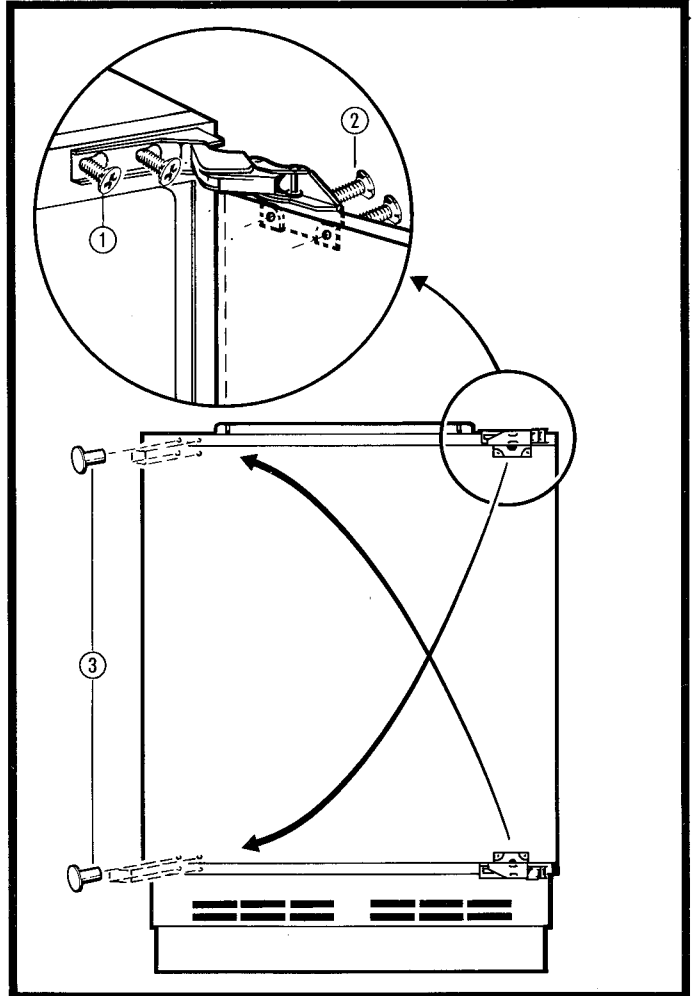


Fig. A

2

Installing

Check power supply

The current type (alternating current) and voltage at the installation point must correspond with the data on the manufacturer's plate.

The manufacturer's type plate is located next to the vegetable trays, inside the appliance on the left. The appliance must be connected to the power supply via a properly-earthed power socket. The power socket ① must be located in an accessible position away from the appliance's installation niche (fig. A).

Installing

The appliance is suitable for integrated installation under worktops. Do not position it directly next to cooker, heating systems or other heat sources.

- Check installed dimensions according to the illustration
- Installed height, plinth height and plinth depth are variable.

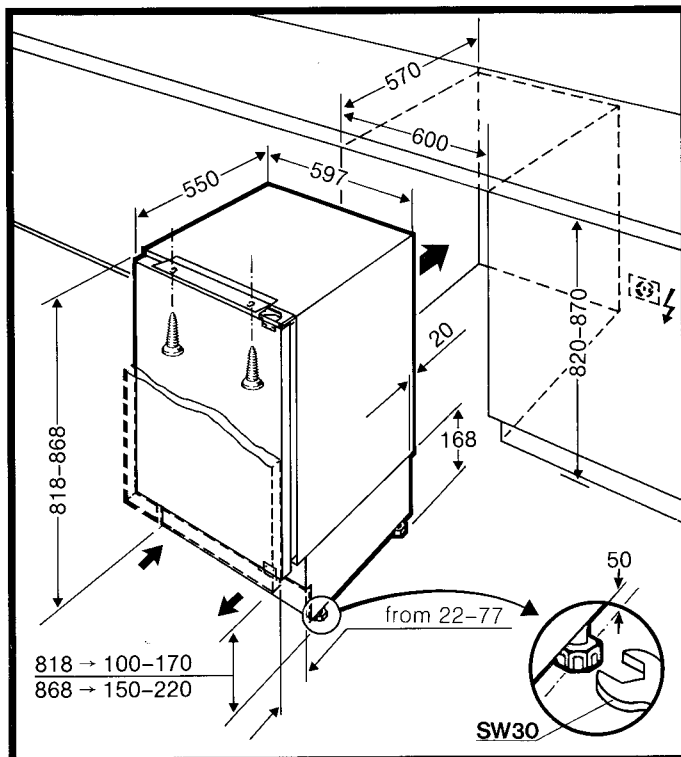


Fig. A

Installed height	Plinth height
820 mm	100 to 170 mm depending on height of front decor panel on kitchen unit
870 mm	150 to 220 mm depending on adjustable feet and height of front decor panel on kitchen unit

The plinth depth can be adjusted between 22 and 77 mm.

3

Installing decor panels

- Screw mounting bracket ① on to decor panel with enclosed screws, as shown in fig. **A**.
Fit the correct side towards the hinges.
- Gap 15 is designed to provide 5 mm clearance between the underside of the worktop and upper edge X of the decor panel.
- Use a Phillips screwdriver for the Phillips-head screws.
- Screw the four adjusting pins ② fully into the appliance door.
- Position the decor panel on the appliance door, introduce the locating pins at top into the slots in the mounting plate and open out according to detail fig. **B** (about 9 mm).

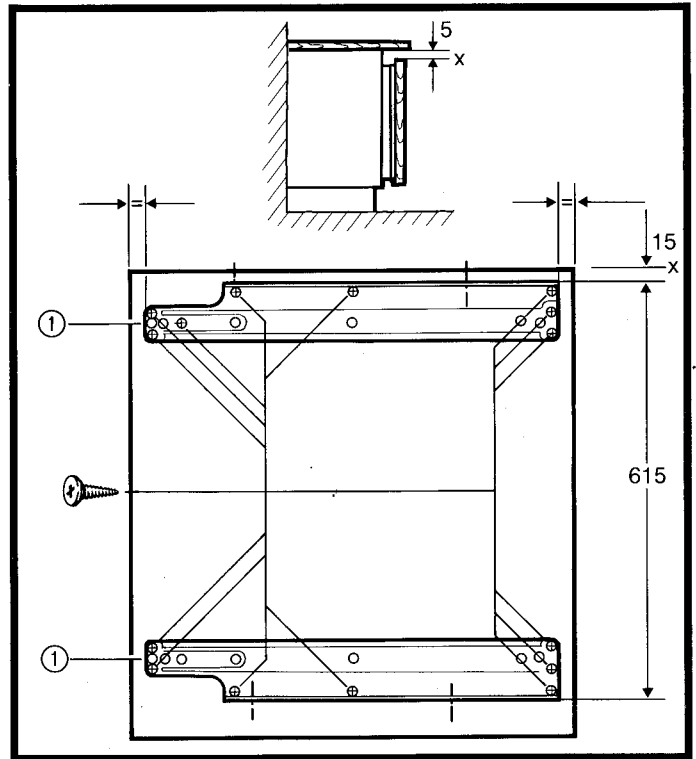


Fig. A

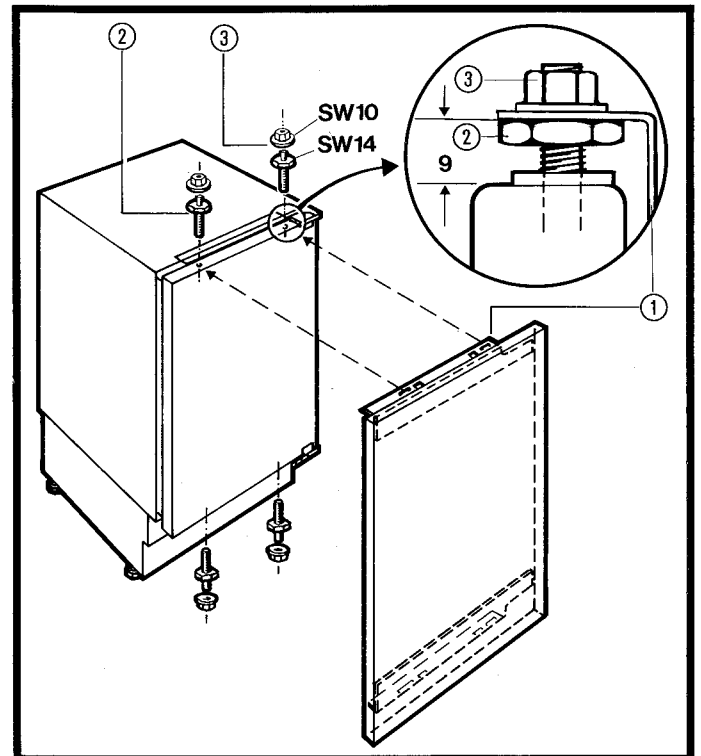


Fig. B

4

Installing under worktop

- **820 mm installed height:** push appliance into the niche. Only adjust its height at the adjustable feet if necessary, using a 30 mm open-ended wrench or size 2 screwdriver. Level out the appliance.
- **870 mm installed height:** open out the adjustable feet by app. 50 mm and level out the appliance.
- Push the appliance into the niche until the decor panel lies flush with adjacent furniture items; adjust at the feet if necessary.
- Pre-adjust the appliance at slots ④ (fig. C) in the mounting plate on the worktop.

Adjusting plinth depth

- Lift out the decor panel.
- Grip the plinth at the ventilation grille and align until flush with adjacent furniture items, or join up to the continuous plinth if fitted. Cut away the continuous plinth trim as illustrated for ventilation.
- Never cover over the ventilation slots.
- Attach the appliance plinth at screws ⑤ (turn screws clockwise until considerable resistance is felt).
- To adjust the plinth height, turn the screws anticlockwise through app. 8 to 10 revolutions.

Adjusting decor panel

- Position the decor panel on the appliance. Open loose locking nuts.
- **Adjust height Y** at locating pin (14 mm wrench) as shown in fig. C, $Y = \max. \pm 3.5$ mm
- **Adjust side measurement X** at slots on mounting bracket at top, $X = \max. \pm 3$ mm.
- Open out lower locating pins until contact is made with the mounting plate. Secure with locking nuts.
- If necessary, adjust the alignment of the lower decor panel edge at 10 x 12 hole in mounting bracket, $Z = \pm 2$ mm. Then tighten locking nuts again.
- Push on cover trim ⑥ and engage (to remove, lever out the trim strip with a screwdriver as illustrated).
- When aligned, secure the appliance to the worktop at retaining slots.

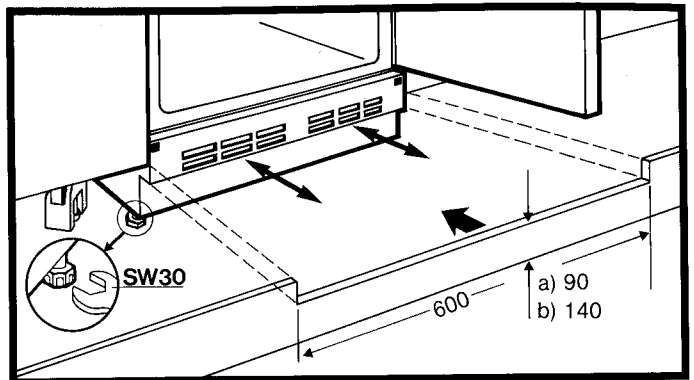


Fig. A

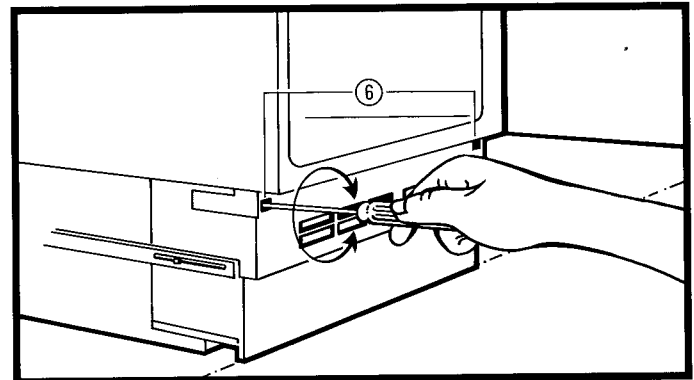


Fig. B

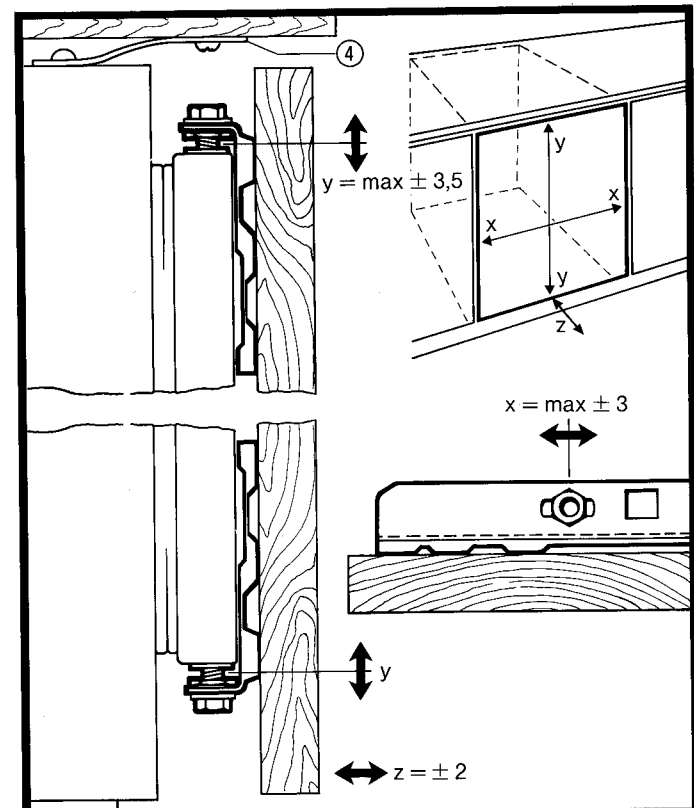


Fig. C

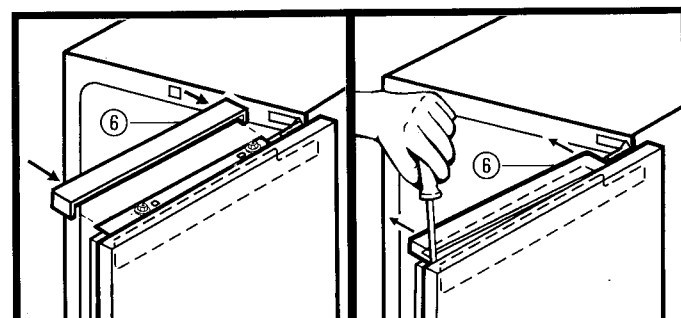


Fig. D

Fig. E

Free Manuals Download Website

<http://myh66.com>

<http://usermanuals.us>

<http://www.somanuals.com>

<http://www.4manuals.cc>

<http://www.manual-lib.com>

<http://www.404manual.com>

<http://www.luxmanual.com>

<http://aubethermostatmanual.com>

Golf course search by state

<http://golfingnear.com>

Email search by domain

<http://emailbydomain.com>

Auto manuals search

<http://auto.somanuals.com>

TV manuals search

<http://tv.somanuals.com>