

OPERATING and MAINTENANCE INSTRUCTIONS

Model: 120PH and 121PH “D” Series Proof/Hot Cabinets

Model No.	Volts	Watts	Amps	Hertz	Phase	NEMA
120PH1836D 121PHUA11D 121PH1818D	120	1920	16.6	60	1	5-20P
120PH1836D208 121PHUA11D208 121PH1818D208	208	2000	9.6	60	1	6-15P
120PH1836D240 121PHUA11D240 121PH1818D240	240	2000	8.6	60	1	6-15P

All are designed for AC service.

HOW TO INSTALL UNIT:

- Place cabinet near warm ovens. Do **NOT** put in drafty areas or near ventilating systems.
- Plug cord end into proper wall outlet.

CAUTION

Use of treated or soft water may be required for proper operation and to maintain warranty.

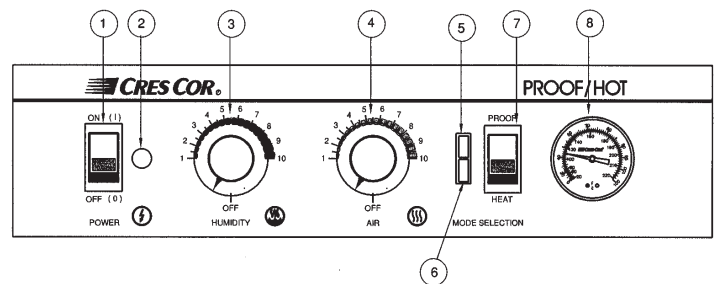
- Fill with 2 qts. (1.8 liters) of clean, hot water.

HOW TO PROOF:

- Fill water pan (See “How to Install”)
- Push “POWER” switch to “ON.” The yellow light will come on.
- Push “MODE SELECTION” switch to “PROOF”. The yellow light will come on.
- Turn “HUMIDITY” dial to No. 8.
- Turn “AIR” dial to “OFF”.
- Preheat for 30 minutes.
- Put fresh or fully thawed dough into cabinet.

NOTE: The cabinet temperature will drop inside cabinet if cold dough is added.

Do NOT put frozen dough into cabinet



CONTROL PANEL PARTS IDENTIFICATION

- | | |
|--------------------------|----------------------------|
| 1. Switch - Power | 5. Yellow Light - Proof |
| 2. Yellow Light - Power | 6. Red Light - Heat |
| 3. Thermostat - Humidity | 7. Switch - Mode Selection |
| 4. Thermostat - Air | 8. Thermometer |

NOTE: No. 8 setting will give you an approximate temperature of 95°F (35°C), and 90-95% humidity. Experiment with different “HUMIDITY” and “AIR” settings to get the exact temperature and humidity you need. The thermometer shows the temperature inside the cabinet.

NOTE: Check water level in water pan if you are proofing longer than 90 minutes. Fill with clean, hot water.

Proof/Hot Cabinets	FL-2306
Rev. 7 (6/08)	Page 2 of 4

OPERATING and MAINTENANCE INSTRUCTIONS

Model: 130 and 131 “D” Series Hot Cabinets

HOW TO HOLD

1. Push “POWER” switch to “ON.” The yellow light will come on.
2. Push “MODE SELECTION” switch to “HEAT.” The red light will come on.
3. Turn “AIR” dial to temperature needed.

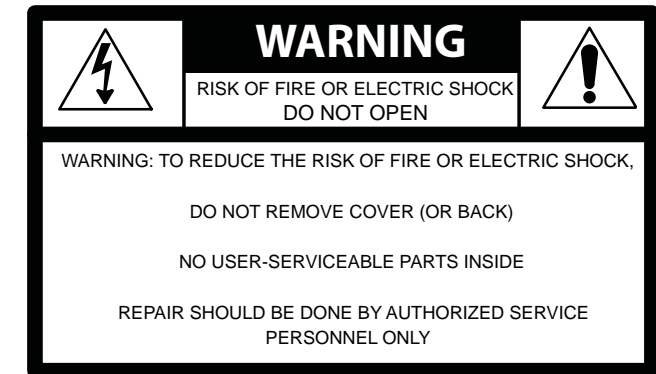
NOTE: No. 8 is about 175°F (79°C).
No. 6 is about 165°F (74°C).

Proper food holding temperature is 140°F (60°C) or higher.

4. Preheat cabinet for 30 minutes.
5. Put food into cabinet.

HOW TO TURN UNIT OFF:

Push “POWER” switch to “OFF” position.



HOT UNIT REMOVAL INSTRUCTIONS:

1. Unplug power cord from wall outlet.
2. Pull entire unit out the front of the cabinet.

HOW TO CLEAN THE CABINET:

 **WARNING** *BEFORE* cleaning the cabinet:

1. Allow cabinet to cool.
2. Remove Hot unit from cabinet.
3. Do NOT use abrasives or harsh chemicals.

 **CAUTION** DELIME OR DESCALE RESERVOIR PARTS AS REQUIRED TO PREVENT DAMAGING BUILD-UP. WARRANTY COVERAGE MAY BE AFFECTED WITHOUT PROPER CLEANING.

OPERATING and MAINTENANCE INSTRUCTIONS

Model: 120PH and 121PH “D” Series Proof/Hot Cabinets

HOW TO CLEAN THE CABINET:

The door is a polycarbonate panel in a powder coated frame.

Use mild detergent and water, rinse and wipe dry with a soft cloth.

The cabinet body (inside and outside) is aluminum.

THIS CABINET BODY IS INTENDED TO BE CLEANED USING HIGH PRESSURE CLEANING METHODS.

Wipe up spills as soon as possible and clean cabinet regularly to avoid heavy dirt build-up.

Detergents will assist in removing dirt, grease and stains. Only use detergents recommended for pressure washers.

Empty water pan at least once a week.

TROUBLE-SHOOTING CHART:

FAILURE	POSSIBLE CAUSE
1. Indicator lights do NOT light.	1a. Circuit breaker/fuse to wall outlet is blown. 1b. Cord is unplugged from wall outlet or cabinet. 1c. Switch is “OFF”.
2. Unit does not heat.	2a. Thermostat set too low or is “OFF”. 2b. Switch is “OFF”.
3. Unit gets too hot or won't shut off.	3a. Defective electrical parts. UNPLUG UNIT FROM WALL OUTLET.
4. Humidity is low	4a. Water in pan may be low 4b. Theremostat set too low
5. Blower does not work or makes noise.	5a. Defective blower.

NOTE: Optional digital thermometer will flash if cabinet temperature is below 140°F or above 250°F.
Call the factory if you need different settings.

If cause is none of the above, refer to our list of Authorized Service Centers, FL-1400.

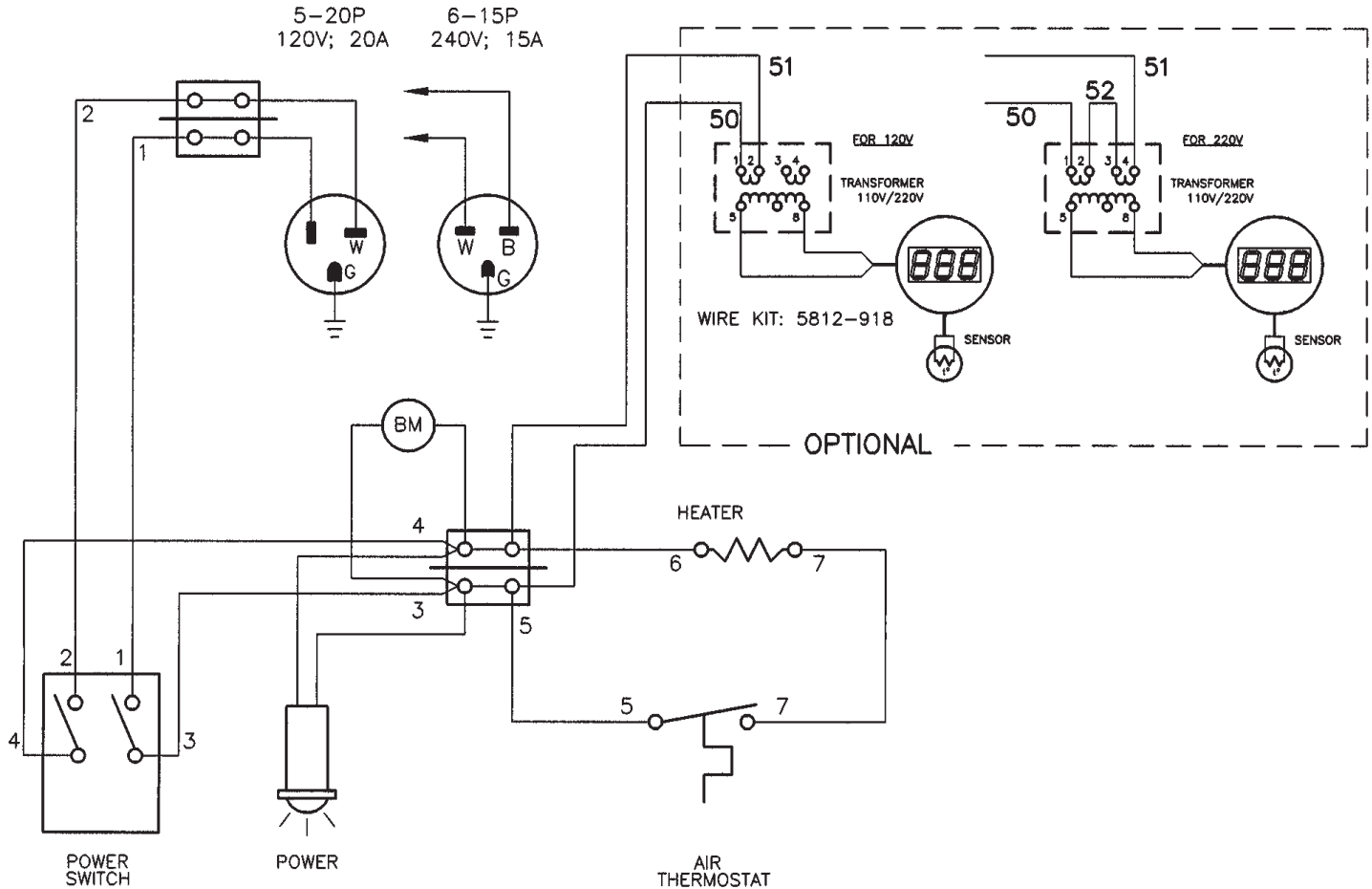
Proof/Hot Cabinets	FL-2306
Rev. 7 (6/08)	Page 4 of 4

OPERATING and MAINTENANCE INSTRUCTIONS

Model: 130 and 131 "D" Series Hot Cabinets

REPLACEMENT PARTS:

DESCRIPTION	120 VOLT	208 VOLT	240 VOLT
Proof/Hot Unit (121PH)	PHU-747-071	PHU-747-072	PHU-747-073
Proof/Hot Unit (120PH)	PHU-747-077	PHU-747-078	PHU-747-079
Heater (Reservoir)	0811-285	0811-286	0811-287
Pan (Reservoir)	1017-097	1017-097	1017-097
Heater (Air)	0811-214	0811-250	0811-215
Thermostat Kit	0848-062-K	0848-062-K	0848-062-K
Thermometer Kit (Analog)	5238-030-K	5238-030-K	5238-030-K
Power Cord	0810-065-1	0810-039	0810-039
Proof & Heat Lights	0766-093	0766-093-1	0766-093-1
Power Light	0766-094	0766-095	0766-095
Switch (Power)	0808-116	0808-116	0808-116
Switch (Mode Selection)	0808-117	0808-117	0808-117
Blower Kit	0769-180-K	0769-182-K	0769-182-K
Drip Pan Kit	1017-058	1017-058	1017-058



Free Manuals Download Website

<http://myh66.com>

<http://usermanuals.us>

<http://www.somanuals.com>

<http://www.4manuals.cc>

<http://www.manual-lib.com>

<http://www.404manual.com>

<http://www.luxmanual.com>

<http://aubethermostatmanual.com>

Golf course search by state

<http://golfingnear.com>

Email search by domain

<http://emailbydomain.com>

Auto manuals search

<http://auto.somanuals.com>

TV manuals search

<http://tv.somanuals.com>