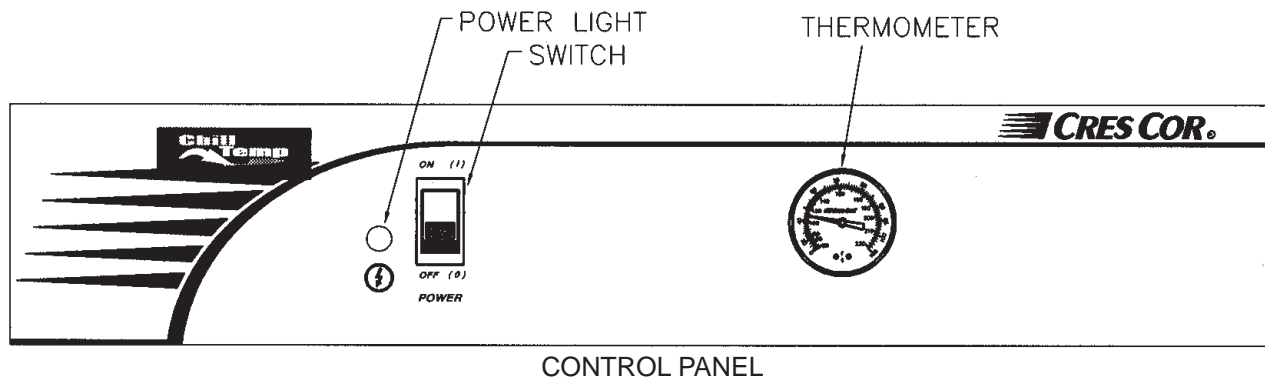


## OPERATING and MAINTENANCE INSTRUCTIONS for Cres Cor Refrigerated Cabinets, Model R-171-S Series

| Model No.                    | Volts | Amps | Hertz | Phase | NEMA  |
|------------------------------|-------|------|-------|-------|-------|
| R171SUA10<br>R171S1828       | 120   | 7.8  | 60    | 1     | 5-15P |
| R171SUA10240<br>R171S1828240 | 240   | 3.7  | 60    | 1     | 6-15P |
| R171SUA20<br>R171S1856       | 120   | 8.6  | 60    | 1     | 5-15P |
| R171SUA20240<br>R171S1856240 | 240   | 4.2  | 60    | 1     | 6-15P |

Note: The above model numbers are basic models. They may be followed by letters: M, L, D or ending with S, Z and/or CAN.



CONTROL PANEL

### HOW TO INSTALL THE CABINET:

1. Remove all packing material from inside the cabinet.
2. INSTALL ALL ANGLES **BEFORE UNIT IS TURNED ON**
3. Allow enough clearance around cabinet for air flow.

### HOW TO OPERATE:

1. Plug cord into proper wall outlet.
2. Turn the power switch to "ON". Light will come on and compressor will start.

Listen closely for the compressor. It will be slightly loud at first, then quiet down.

### HOW TO OPERATE (Continued):

If you do not hear the compressor running, turn power switch to "OFF" right away. See "Troubleshooting" (page 3).

3. Pre-chill the cabinet for approximately 40 minutes or until the temperature reaches approximately 38°F. Load the food.

### DO NOT PUT HOT FOOD INTO COLD CABINET!

### TO SHUT UNIT OFF:

Turn power switch to "OFF".

|   |                |
|---|----------------|
| Series R-171-S<br>Refrigerated Cabinets | <b>FL-2314</b> |
| Rev. 3 (10/06)                          | Page 2 of 4    |

## OPERATING and MAINTENANCE INSTRUCTIONS for Cres Cor Refrigerated Cabinets, Model R-171-S Series

### HOW TO REVERSE DOOR HARDWARE FOR OPPOSITE HAND: (Single Door Cabinet ONLY)

1. Remove hinge covers with a screwdriver.
2. Open door and lift up to remove door from cabinet.
3. Unscrew and re-mount the hinges and latch strike to the opposite sides of the cabinet.
4. Remove the door hinges and the door latch. Turn hinges and handle over and remount in the same holes
5. Remove plastic cam from each hinge, rotate cam 180° with “V” groove on cam toward inside of cabinet. Reseat cam into hinge.
6. Plug all the extra holes with screws.
7. Put door onto cabinet and adjust as necessary.
8. Snap on hinge covers..

### HOW TO CLEAN THE CABINET:



1. Unplug cord from wall.
  2. Do NOT hose cabinet with water.
  3. Do NOT get water into bottom compartment.
  4. Do NOT use abrasives or harsh chemicals.
- Wipe up spills as soon as possible.
  - Clean regularly to avoid heavy dirt build-up.

### Cleaning Hints:

1. Use the mildest cleaning procedure that will do the job.
2. Always run in the direction of polish lines to avoid scratching the surface.
3. Use only a soft cloth, sponge, fibrous brushes, plastic or stainless steel pads for cleaning and scouring.
4. Rinse thoroughly with fresh water after every cleaning operation.
5. Always wipe dry to avoid water marks.

|   | Soil                                | Cleaner                                      | Method   |
|---|-------------------------------------|--|--|
| <b>CABINET</b><br><br>Inside<br>and<br>Outside<br><br>(Stainless Steel) | <b>ROUTINE CLEANING</b>             | Soap, Ammonia, or mild *detergent and water. | 1. Sponge on with cloth.<br>2. Rinse with water.<br>3. Wipe dry. |
|   | <b>STUBBORN SPOTS AND STAINS</b>    | Mild abrasive made for stainless steel.      | 1. Apply with damp sponge or cloth.<br>2. Rub lightly.           |
|   | <b>GREASE, OIL</b>                  | Chemical oven cleaner for stainless steel.   | Follow oven cleaner manufacturer's directions.                   |
|   | <b>HARD WATER SPOTS &amp; SCALE</b> | Vinegar                                      | 1. Swab or wipe with cloth.<br>2. Rinse and dry.                 |
| <i>*Mild detergents include soaps and non-abrasive cleaners.</i>        |                                     |  |  |

## OPERATING and MAINTENANCE INSTRUCTIONS for Cres Cor Refrigerated Cabinets, Model R-171-S Series

### MAINTENANCE:

#### HOW TO CHARGE AND SERVICE THE REFRIGERATION SYSTEM

**Note: The refrigerator is shipped fully charged.**

The high-side pressure should be approximately 175 PSI;  
low pressure should be approximately 18 PSI at 75° F (24° C) room temperature.  
The charge should be 18 ounces of R134a.  
Service valves are located on the condenser/compressor assembly.

### TROUBLE-SHOOTING GUIDE

#### Unit Condition:

Unit is plugged in. Switch is *ON*.

| <b>Failure</b>  | <b>Probable Cause</b>   |
|---|---|
| 1. Power light off                                      | 1. Power Cord   |
| 2. Compressor off                                       | 2. Power supply down  |
| 3. Evaporator fan on, Power light on and Compressor off | 3a. Thermostat defective<br>3b. Defective start relay (compressor)  |
| 4. Compressor on and cabinet not cooling                | 4a. Low charge<br>4b. Frost build-up on evaporator coil<br>4c. Evaporator fan defective<br>4d. Thermostat defective |
| 5. Compressor starts and stops; cabinet not cooling     | 5a. Low Charge<br>5b. Faulty start capacitor (compressor)<br>5c. Faulty start relay (compressor)                    |
| 6. Noisy compressor                                     | 6a. Low charge<br>6b. Defective   |

#### NOTES:

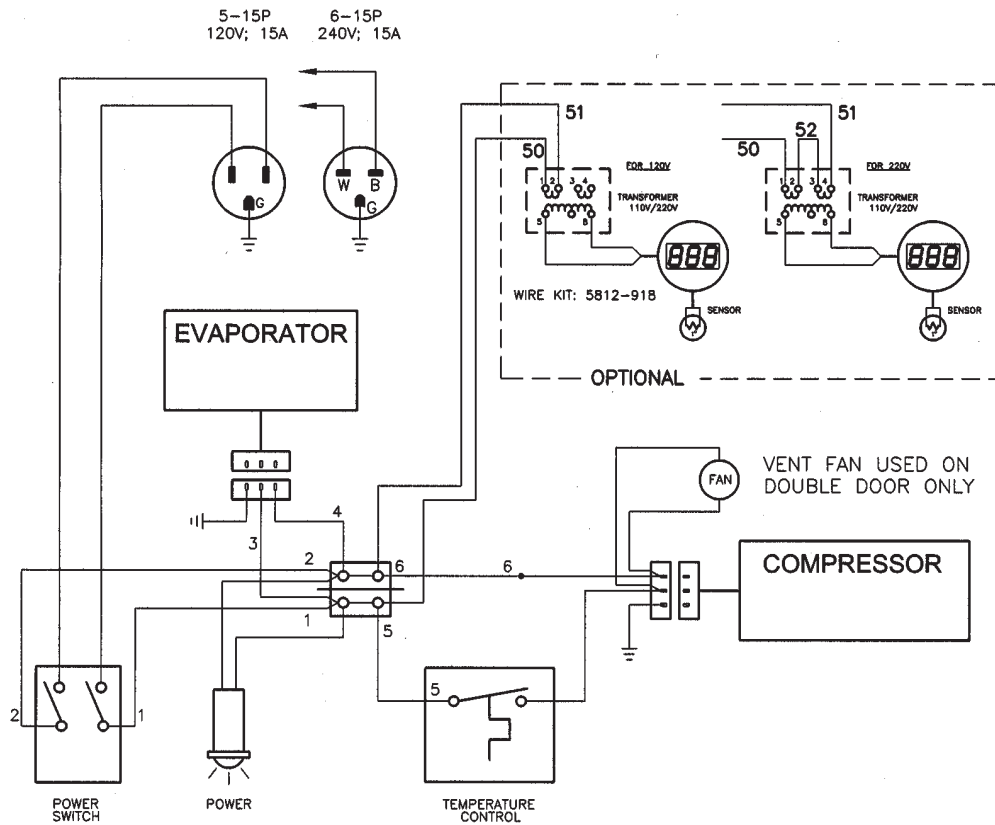
1. Thermostat is pre-set at approximately 38°F (3.8°C). Temperature adjustment can only be made by a Service Agency.
- 2 For replacement of the electrical parts, refer to our list of authorized service centers (FL-1400).

|   |                |
|---|----------------|
| Series R-171-S<br>Refrigerated Cabinets | <b>FL-2314</b> |
| Rev. 3 (10/06)                          | Page 4 of 4    |

## OPERATING and MAINTENANCE INSTRUCTIONS for Cres Cor Refrigerated Cabinets, Model R-171-S Series

### REPLACEMENT PARTS:

| Description                             | <u>120V</u> | <u>240V</u> |
|---|-------------|-------------|
| Condenser/Compressor Assembly           | 0854-040    | 0854-041    |
| Cord Set                                | 0810-029-05 | 0810-039-06 |
| Door Assembly                           | 1221-553-K  | 1221-553-K  |
| Evaporator Assembly for R171SUA10, 1828 | 1416-068-K  | 1416-070-K  |
| Evaporator Assembly for R171SUA20, 1856 | 1416-069-K  | 1416-071-K  |
| Gasket Kit                              | 0861-261    | 0861-261    |
| Hinge Kit                               | 0519-087-K  | 0519-087-K  |
| Pilot Light "Power ON"                  | 0766-094    | 0766-095    |
| Post                                    | 0696-237    | 0696-237    |
| Receptacle                              | 0713-057    | 0713-058    |
| Switch, ON/OFF                          | 0808-116    | 0808-116    |
| Terminal Block                          | 0852-091    | 0852-091    |
| Thermometer Kit                         | 5238-035-K  | 5238-035-K  |
| Thermostat (cold control)               | 0854-043-K  | 0854-043-K  |
| Valve, Thermal Exp. (R171SUA10, 1828)   | 0854-042-K1 | 0854-042-K1 |
| Valve, Thermal Exp. (R171SUA20, 1856)   | 0854-042-K2 | 0854-042-K2 |
| Vent Fan (R171SUA20, 1856 ONLY)         | 0769-045-K  | 0769-029-K  |



## Free Manuals Download Website

<http://myh66.com>

<http://usermanuals.us>

<http://www.somanuals.com>

<http://www.4manuals.cc>

<http://www.manual-lib.com>

<http://www.404manual.com>

<http://www.luxmanual.com>

<http://aubethermostatmanual.com>

Golf course search by state

<http://golfingnear.com>

Email search by domain

<http://emailbydomain.com>

Auto manuals search

<http://auto.somanuals.com>

TV manuals search

<http://tv.somanuals.com>