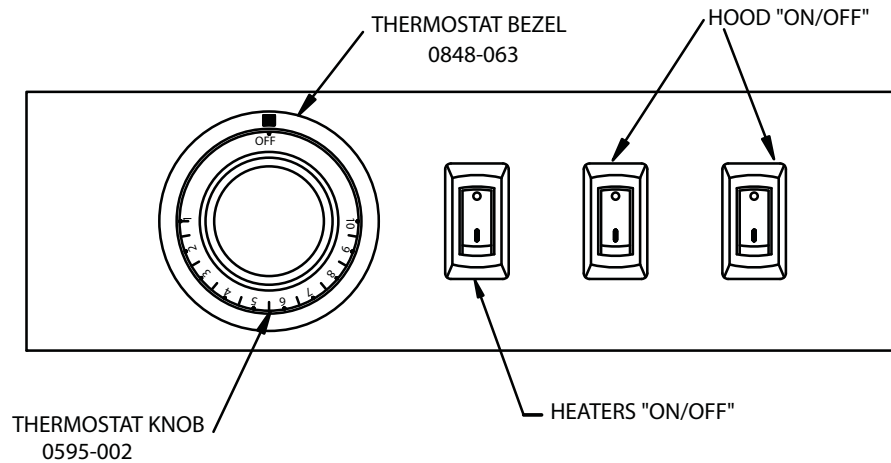


OPERATING and MAINTENANCE INSTRUCTIONS
Model: CSH-122-10 Series, 120 and 240 Volt

ELECTRICAL SPECIFICATIONS:

Model No.	Volts	Watts	Amps	Hertz	Phase	NEMA	Service
CSH-122-10	120	1100	9.2	60	1	5-15	15 AMP
CSH-122-10	240	1150	4.8	60	1	6-15	15 AMP



HOW TO OPERATE UNIT:

1. Plug cord into proper wall outlet.
2. Push thermostat switch "ON" and turn thermostat to no. 10.
3. Preheat for 30 minutes; then add cutting board and/or pans to the heated base.
4. Push lamp switch(es) to "ON" for additional heat.

NOTE: Proper food holding temperature is 140°F (60°C) or higher.

For uncovered pans or product:
 Leave thermostat on no. 10 setting.

For covered pans or product:
 Turn the thermostat to no. 6 setting.

5. Push switches and turn thermostat "OFF" when done.

CLEANING INSTRUCTIONS:



1. Remove power cord from wall outlet.
2. DO NOT immerse unit in water.
3. DO NOT get water on controls.
4. Wipe cooled exterior with soap and water.
5. DO NOT use abrasives or harsh chemicals.

REPLACEMENT PARTS:

Lamp, Red (250 Watts)	0820-001
Lamp, White (250 Watts)	0820-033
Lamp, Red (275 Watts/240 Volts)	0820-014
Cutting Board	1004-018
Legs - Adjustable	1206-027
Socket	0822-037

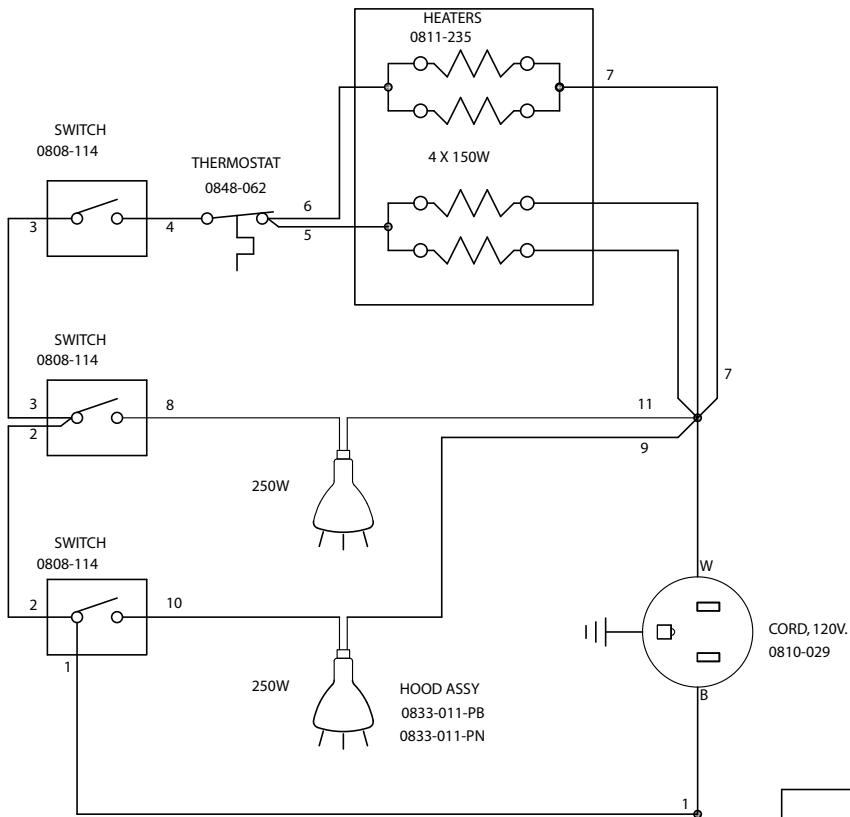
Carving Station	FL-2206
Rev. 7 (4/08)	Page 2 of 2

OPERATING and MAINTENANCE INSTRUCTIONS

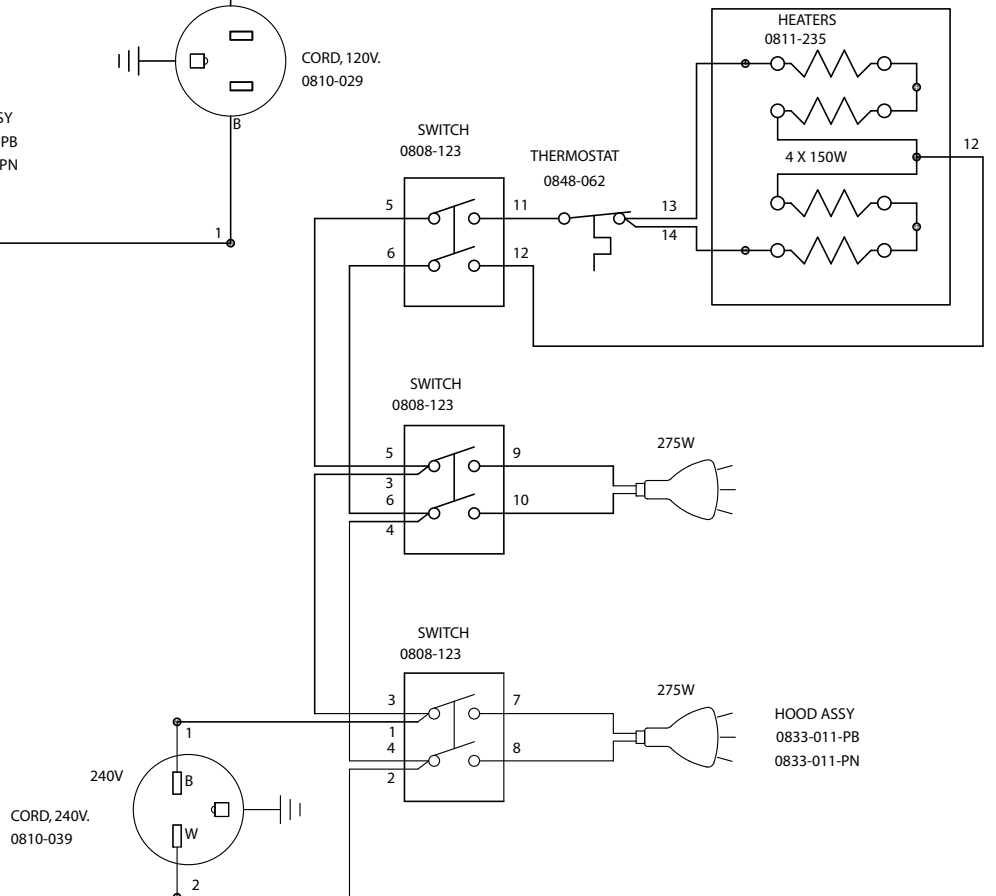
Model: CSH-122-10 Series, 120 and 240 Volt

WIRING DIAGRAM

120 VOLT



240 VOLT



Free Manuals Download Website

<http://myh66.com>

<http://usermanuals.us>

<http://www.somanuals.com>

<http://www.4manuals.cc>

<http://www.manual-lib.com>

<http://www.404manual.com>

<http://www.luxmanual.com>

<http://aubethermostatmanual.com>

Golf course search by state

<http://golfingnear.com>

Email search by domain

<http://emailbydomain.com>

Auto manuals search

<http://auto.somanuals.com>

TV manuals search

<http://tv.somanuals.com>