

Crestron **C2N-RMAK**

Rack Mounting Kit

Installation Guide



CRESTRON

This document was prepared and written by the Technical Documentation department at:



Crestron Electronics, Inc.
15 Volvo Drive
Rockleigh, NJ 07647
1-888-CRESTRON

All brand names, product names and trademarks are the property of their respective owners.
©2003 Crestron Electronics, Inc.

Rack Mounting Kit: C2N-RMAK

Description

The C2N-RMAK is a mounting kit used for mounting the Crestron® C2N-NPA8 Network Poll Accelerator or the C2N-SPWS300 Power Supply on a rack plate for installation in an equipment rack. The table below lists all parts included with the C2N-RMAK.

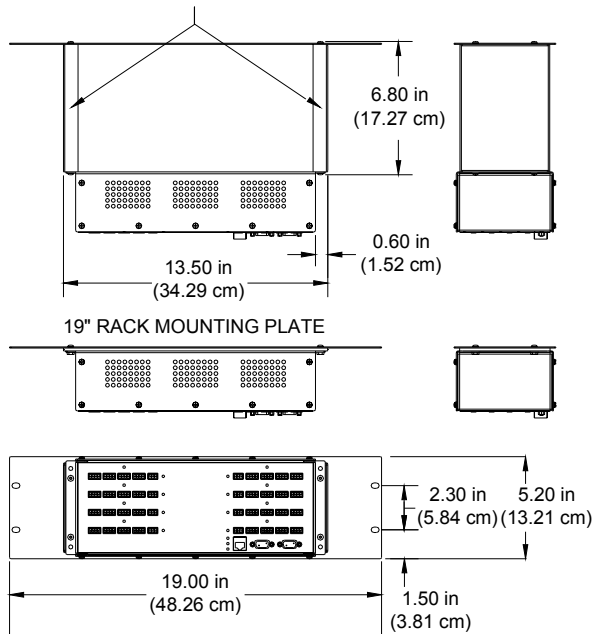
Supplied Components

DESCRIPTION	PART NUMBER	QUANTITY
Rack Mounting Plate, 3 RU High	MTPL02820-1SS1	1
Metal Extension Bracket	MTBK02867-1	2
Screw, 08-32, 3/8" L, Button Cap, 3/32" Hex	SR08-32-0R3750-8	8
Nut, 08-32	NT08-32-1	4

NOTE: This mounting kit may also be used for future devices.

C2N-NPA8 shown with C2N-RMAK Attached (as seen from rear of rack)

OPTIONAL EXTENSION BRACKETS ALLOWS FRONT OF UNIT TO ALIGN WITH REAR OF PRO2 OR UNITS OF EQUIVALENT DEPTH.



Assembly

To allow shorter cable runs between adjacent devices in a rack, devices can be attached directly to the rack mounting plate or to extension brackets that attach to the rack mounting plate. Mount the device directly to the rack mounting plate when mounting in a rack next to devices with a similar depth. Use the optional extension brackets to align the device ports with the ports of a PRO2 control system or other device of equivalent depth.

Rack Mounting Plate Only

Tools/hardware required

3/32" Hex key

Wrench or nut driver

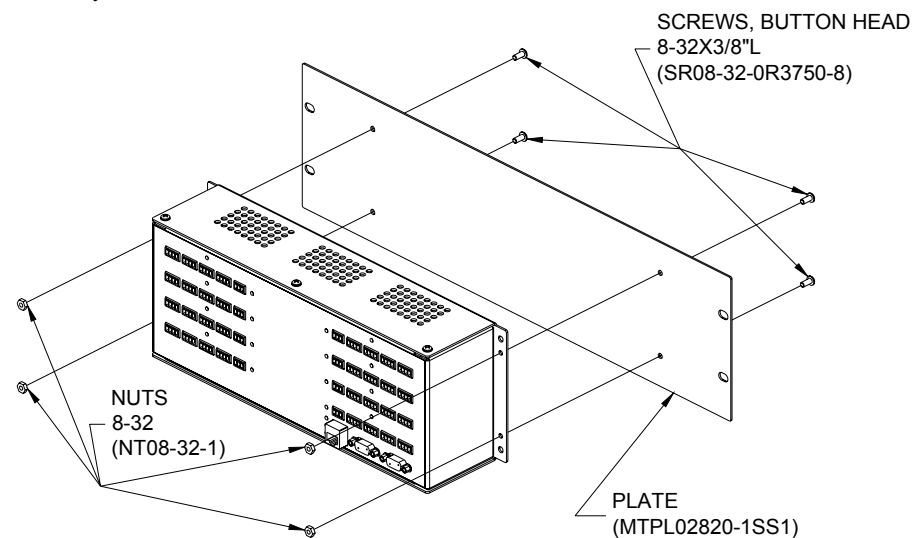
8-32 Nut (quantity four, supplied)

8-32, 3/8" L Button cap screw (quantity four, supplied)

Complete the following assembly procedure in the order provided (refer to illustration below).

1. Holding the device facing you, position the rack mounting plate over the device's mounting holes as shown in the following diagram.
2. Insert screws from back of rack mounting plate through mounting holes located on side of the device.
3. Using a wrench or nut driver, and hex key, secure the plate to the device using the supplied screws and nuts (four of each).

Assembly View



Rack Mounting Plate and Extension Brackets

Use the optional extension brackets to align the device ports with the ports of a PRO2 control system or other device of equivalent depth.

Tools/hardware required

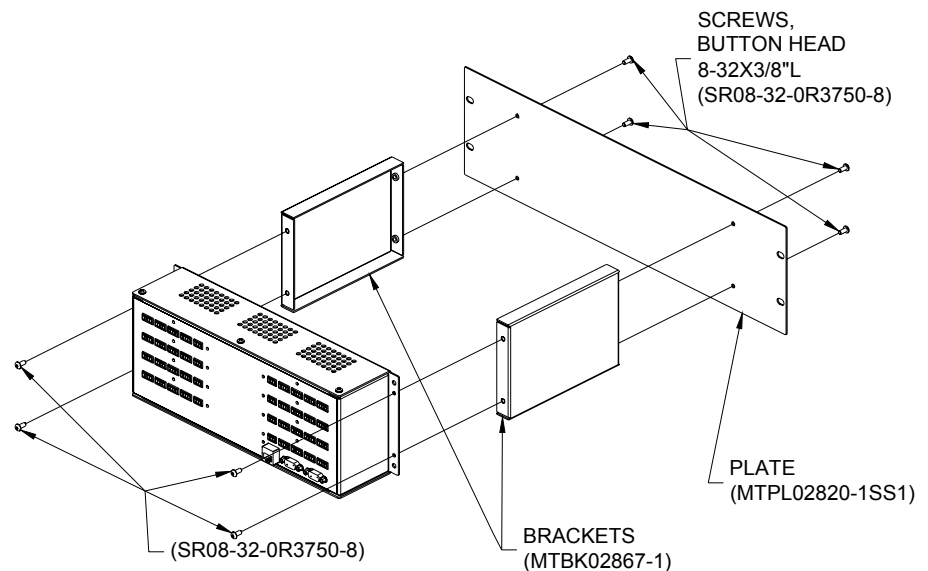
3/32" Hex key

8-32, 3/8" L Button cap screw (quantity eight, supplied)

Complete the following assembly procedure in the order provided (refer to illustration below).

1. Holding the device facing you, position a bracket over the device's mounting holes as shown in the following diagram.
2. Thread the supplied screws from the front of the device through the holes located on the extension bracket.
3. Using a hex key, tighten the screws to secure the extension bracket to the device.
4. Repeat for the other bracket.
5. Position the rack mounting plate holes over the holes of the extension bracket.
6. Thread the supplied screws from the front of the rack mounting plate into the holes located on the extension bracket.
7. Using the hex key, tighten the screws to secure the extension bracket to the rack mounting plate.

Assembly View



Further Inquiries

If after reviewing this Installation Guide for the C2N-RMAK, you cannot locate specific information or have questions, please take advantage of Crestron's award winning customer service team by calling:

- In the US and Canada, call Crestron's corporate headquarters at 1-888-CRESTRON [1-888-273-7876].
- In Europe, call Crestron International at +32-15-50-99-50.
- In Asia, call Crestron Asia at +852-2341-2016.
- In Latin America, call Crestron Latin America at +5255-5093-2160.
- In Australia and New Zealand, call Crestron Pacific at +613-9480-2999.

Future Updates

As Crestron adds improvements to the C2N-RMAK, additional information may be made available as manual updates. These updates are solely electronic and serve as intermediary supplements prior to the release of a complete technical documentation revision.

Check the Crestron website (www.crestron.com) periodically for manual update availability and its subjective value. Updates are available from the Download | Product Manuals section and are identified as an "Addendum" in the Download column.

Return and Warranty Policies

Merchandise Returns / Repair Service

1. No merchandise may be returned for credit, exchange, or service without prior authorization from CRESTRON. To obtain warranty service for CRESTRON products, contact the factory and request an RMA (Return Merchandise Authorization) number. Enclose a note specifying the nature of the problem, name and phone number of contact person, RMA number, and return address.
2. Products may be returned for credit, exchange, or service with a CRESTRON Return Merchandise Authorization (RMA) number. Authorized returns must be shipped freight prepaid to CRESTRON, Cresskill, N.J., or its authorized subsidiaries, with RMA number clearly marked on the outside of all cartons. Shipments arriving freight collect or without an RMA number shall be subject to refusal. CRESTRON reserves the right in its sole and absolute discretion to charge a 15% restocking fee, plus shipping costs, on any products returned with an RMA.
3. Return freight charges following repair of items under warranty shall be paid by CRESTRON, shipping by standard ground carrier. In the event repairs are found to be non-warranty, return freight costs shall be paid by the purchaser.

CRESTRON Limited Warranty

CRESTRON ELECTRONICS, Inc. warrants its products to be free from manufacturing defects in materials and workmanship under normal use for a period of three (3) years from the date of purchase from CRESTRON, with the following exceptions: disk drives and any other moving or rotating mechanical parts, pan/tilt heads and power supplies are covered for a period of one (1) year; touchscreen display and overlay components are covered for 90 days; batteries and incandescent lamps are not covered.

This warranty extends to products purchased directly from CRESTRON or an authorized CRESTRON dealer. Purchasers should inquire of the dealer regarding the nature and extent of the dealer's warranty, if any.

CRESTRON shall not be liable to honor the terms of this warranty if the product has been used in any application other than that for which it was intended, or if it has been subjected to misuse, accidental damage, modification, or improper installation procedures. Furthermore, this warranty does not cover any product that has had the serial number altered, defaced, or removed.

This warranty shall be the sole and exclusive remedy to the original purchaser. In no event shall CRESTRON be liable for incidental or consequential damages of any kind (property or economic damages inclusive) arising from the sale or use of this equipment. CRESTRON is not liable for any claim made by a third party or made by the purchaser for a third party.

CRESTRON shall, at its option, repair or replace any product found defective, without charge for parts or labor. Repaired or replaced equipment and parts supplied under this warranty shall be covered only by the unexpired portion of the warranty.

Except as expressly set forth in this warranty, CRESTRON makes no other warranties, expressed or implied, nor authorizes any other party to offer any warranty, including any implied warranties of merchantability or fitness for a particular purpose. Any implied warranties that may be imposed by law are limited to the terms of this limited warranty. This warranty statement supercedes all previous warranties.

Trademark Information

All brand names, product names, and trademarks are the sole property of their respective owners. Windows is a registered trademark of Microsoft Corporation. Windows95/98/Me/XP and WindowsNT/2000 are trademarks of Microsoft Corporation.



Crestron Electronics, Inc.
15 Volvo Drive Rockleigh, NJ 07647
Tel: 888.CRESTRON
Fax: 201.767.7576
www.crestron.com

Installation Guide – DOC. 6131
05.03

Specifications subject to
change without notice.

Free Manuals Download Website

<http://myh66.com>

<http://usermanuals.us>

<http://www.somanuals.com>

<http://www.4manuals.cc>

<http://www.manual-lib.com>

<http://www.404manual.com>

<http://www.luxmanual.com>

<http://aubethermostatmanual.com>

Golf course search by state

<http://golfingnear.com>

Email search by domain

<http://emailbydomain.com>

Auto manuals search

<http://auto.somanuals.com>

TV manuals search

<http://tv.somanuals.com>