





# WARNING:

TO PREVENT FIRE OR SHOCK HAZARD, DO NOT EXPOSE THIS APPLIANCE TO RAIN OR MOISTURE. DO NOT REMOVE COVER. PILOT LAMPS SOLDERED IN PLACE. NO USER SERVICEABLE PARTS INSIDE. REFER SERVICING TO QUALIFIED SERVICE PERSONNEL.

	<b>CAUTION</b> RISK OF ELECTRIC SHOCK DO NOT OPEN	
<b>CAUTION:</b> TO REDUCE THE RISK OF ELECTRIC SHOCK, DO NOT REMOVE COVER (OR BACK). NO USER - SERVICEABLE PARTS INSIDE. REFER SERVICING TO QUALIFIED SERVICE PERSONNEL.		
	The lightning flash with arrowhead symbol, within an equilateral triangle, is intended to alert user to the presence of uninsulated "dangerous voltage" within the product's enclosure that may be of sufficient magnitude to constitute risk of electric shock to persons.	
	The exclamation point within an equilateral triangle is intended to alert user to the presence of important operating and maintenance (servicing) instruction in the literature accompanying the appliance.	

## SPECIFICATION

FREQUENCY RANGE	:FM 87.5 - 108.5 MHz :AM 525 - 1710 KHz
POWER CONSUMPTION	:15W
POWER SOURCE	:AC 120V-60Hz
ANTENNAS	:External antenna for FM :Built-in ferrite bar for AM

•DESIGN AND SPECIFICATION SUBJECT TO CHANGE WITHOUT NOTICE.



910-991900-004

# CROSLEY®

## 3 SPEED TURNTABLE / RADIO / CASSETTE PLAYER



### Model: CR-67

## INSTRUCTION MANUAL

## IMPORTANT SAFETY INSTRUCTION

PLEASE READ CAREFULLY ALL THE FOLLOWING IMPORTANT SAFEGUARDS THAT ARE APPLICABLE TO YOUR EQUIPMENT

1. Read Instructions - All the safety and operating instructions should be read before the product is operated.
2. Retain instructions - The safety and operating instructions should be retained for future reference.
3. Heed Warnings - All warnings on the product and in the operating Instructions should be adhered to.
4. Follow Instructions - All operating and use instructions should be followed.
5. Cleaning - Unplug this product from the wall outlet before cleaning. Do not use liquid cleaners or aerosol cleaners. Use a damp cloth for cleaning.
6. Attachments - Do not use attachments not recommended by the product manufacturer as they may cause hazards.
7. Water and Moisture - Do not use this product near water - for example, near a bath tub, wash bowl, kitchen sink, or laundry tub; in a wet basement; or near a swimming pool; and the like.
8. A product and cart combination should be moved with care. Quick stops, excessive force, and uneven surfaces may cause the product and cart combination to overturn.
9. Ventilation - Slots and openings in the cabinet are provided for ventilation and to ensure reliable operation of the product and to protect it from overheating, and these openings must not be blocked or covered. The openings should never be blocked by placing the product on a bed, sofa, rug, or other similar surface. This product should not be placed in a built-in installation such as a bookcase or rack unless proper ventilation is provided or the manufacturer's instructions have been adhered to.
10. Power Sources - This product should be operated only from the type of power source indicated on the marking label, if you are not sure of the type of power supply to your home. Consult your product dealer or local power company. For products intended to operate from battery power, or other sources, refer to the operating instructions.
11. Grounding or Polarization - This product may be equipped with a polarized alternating-current line plug (a plug having one blade wider than the other). This plug will fit into the power outlet only one way. This is a safety feature. If you are unable to insert the plug fully into the outlet try reversing the plug. If the plug should still fail to fit, contact your electrician to replace your obsolete outlet. Do not defeat the safety purpose of the polarized plug.
12. Power - Cord Protection - Power - supply cords should be routed so that they are not likely to be walked on or pinched by items placed upon or against them, paying particular attention to cords at plugs, convenience receptacles, and the point where they exit from the product.
13. Lightning - For added protection for this product during a lightning storm, or when it is left unattended and unused for long periods of time, unplug it from the wall outlet and disconnect the antenna or cable system. This will prevent damage to the product due to lightning and power - line surges.
14. Power Lines - An outside antenna system should not be located in the vicinity of overhead power lines or other electric light or power circuits, or where it can fall into such power lines or circuits. When installing an outside antenna system, extreme care should be taken to keep from touching such power lines or circuits as contact with them might be fatal.



15. Overloading - Do not overload wall outlets, extension cords, or integral convenience receptacles as this can result in a risk of fire or electric shock.
16. Object and Liquid Entry - Never push objects of any kind into this product through openings as they may touch dangerous voltage points or short - out parts that could result in a fire or electric shock. Never spill liquid of any kind on the product.
17. Servicing - Do not attempt to service this product yourself as opening or removing covers may expose you to dangerous voltage or other hazards. Refer all servicing to qualified service personnel.
18. Damage Requiring Service - Unplug this product from the wall outlet and refer servicing to qualified service personnel under the following conditions;
  - a. When the power-supply cord or plug is damaged.
  - b. If liquid has been spilled, or objects have fallen into the product.
  - c. If the product has been exposed to rain or water.
  - d. If the product does not operate normally by following the operating instructions. Adjust only those controls that are covered by the operating instructions as an improper adjustment of other controls may result in damage and will often require extensive work by a qualified technician to restore the product to its normal operation.
  - e. If the product has been dropped or damaged in any way.
  - f. When the product exhibits a distinct change in performance - this indicates a need for service.
19. Replacement Parts - When replacement parts are required, be sure the service technician has used replacement parts specified by the manufacturer or have the same characteristics as the original part. Unauthorized substitutions may result in fire, electric shock, or other hazards.
20. Safety Check - Upon completion of any service or repairs to this product, ask the service technician to perform safety checks to determine that the product is in proper operating condition.
21. Wall or ceiling Mounting - The product should be mounted to a wall or ceiling only as recommended by the manufacturer.
22. Heat - The product should be situated away from heat sources such as radiators, Heat registers, stoves, or other products (including amplifiers) that produce heat.

**WARNING:** Changes or modifications to this unit not expressly approved by the party responsible for compliance could void the user's authority to operate the equipment.  
**NOTE:** This equipment has been tested and found to comply with the limits for a Class B digital device, pursuant to Part 15 of the FCC Rules. These limits are designed to provide reasonable protection against harmful interference in a residential installation. This equipment generates, uses, and can radiate radio frequency energy and, if not installed and used in accordance with the instructions, may cause harmful interference to radio communications. However, there is no guarantee that interference will not occur in a particular installation. If this equipment does cause harmful interference to radio or television reception, which can be determined by turning the equipment off and on, the user is encouraged to try to correct the interference by one or more of the following measures:

- Reorient or relocate the receiving antenna.
- Increase the separation between the equipment and receiver.
- Connect the equipment into a circuit different from that to which the receiver is connected.
- Consult the dealer or an experienced radio TV technician for help.

## POWER SOURCE

Unwind the AC power cord at the back of the unit and connect it to a power outlet.

## TURNTABLE OPERATION

Turn the unit on by switching the VOLUME ON/OFF SWITCH (3) to the ON position.

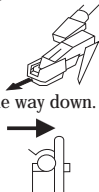
1. Select the function switch to the PHONO position
2. Set the speed control switch to desired speed (331/3 or 45 , 78rpm).Place the record on the turntable.
3. Adjust the Volume switch (3) set to the mid range.
4. Pull the TONE ARM (14) slightly to the right side until hear the "click" sound to activate the turntable.
5. Manually move the tone arm over the record and gently place at the beginning of the desired track. Readjust the VOLUME control
6. At the end of the record, the tone arm will automatically return to its arm rest. The red power light will remain on until the unit is turned off.

## Accessory: ADAPTER FOR 45RPM

TO PLAY THE 45RPM RECORD, PLACE THE ADAPTER (10) ON THE SPINDLE(19).

## UNPACKING THE TURNTABLE

1. Carefully remove unit from it's styro-foam and take it out of the plastic bag.
2. Open lid and remove black tie-wrap by untwisting and gently sliding out from under tone arm.
3. Remove cardboard shipper.
4. Remove white protective needle cover by gently pulling towards front of unit.
5. Using your fingers, turn large chrome screw clockwise until it is all the way down. Do not force it. This allows turntable to float on its shock absorbers.
6. Release tone arm hold down clip by gently pushing to the right. This will unlock tone arm from its arm rest. Re-lock the hold down clip when moving the unit to another location.



## POLARIZED ELECTRICAL PLUG INSTRUCTIONS

This product is equipped with a polarized alternating current line plug (a plug having one blade wider than the other). This plug will fit into the power outlet only one way.

This is a safety feature. If you are unable to insert the plug fully into the outlet, try reversing the plug. If the plug should still fail to fit, contact you electrician to replace your obsolete outlet. Do not defeat the purpose of the polarized plug.

## RADIO OPERATION

1. Switch the unit ON by turning the POWER switch (3) to the ON position.
2. Place the VOLUME controls (3) in mid-range position.
3. Select the desired wave band by placing the BAND selector (5) in either the FM or AM position.
4. Readjust the VOLUME controls (3) to suit your personal preference.
5. Switch the unit OFF by turning the POWER switch (3) to the OFF position.
6. For FM operation, the unit is provided with a wire antenna. Move the wire until the reception is clear and with no interference. Do not connect external FM antenna to an outside antenna. The AM reception may be improved by relocating the entire radio or turning it side to side.

## ANTENNA

For FM reception, a wire is provided. Move the wire until the reception is clear. Do not connect the external FM antenna to any other antenna.

## CASSETTE OPERATION

1. Turn the POWER switch (3) to the ON position.
2. Insert a pre-recorded cassette tape into the tape slot, with the exposed piece of tape facing to the bottom, by pushing the cassette against the CASSETTE DOOR (8). The cassette will slide into the tape mechanism and the radio which will be automatically cut-off, once this occurs.  
Note: One end of the cassette tape will remain visible.
3. Readjust the VOLUME controls (3) to suit your personal preference.
4. The cassette can be advanced in the fast forward mode, by depressing the EJECT/FF button (9) half-way in. Pushing the EJECT/FF Button (9) again will stop the fast forward mode and return the tape mechanism to the play mode.
5. Depressing the EJECT/FF Button (9) completely in, will eject the cassette from the unit. At this time, radio operation will resume.
6. When the tape reaches its end in the play mode, the cassette will automatically stop and radio operation will resume.

## TROUBLE SHOOTING GUIDE

### TURNTABLE

The unit does not operate.

- The AC power cord is not connected to a power outlet.
  - The unit is not turned on : rotate the VOLUME knob from the OFF position
- No sound is coming from unit.

- The white protective needle cover was not removed.
- The volume is not turned up.

Tone arm will not move.

- Black tie-wrap was not removed from underneath tone arm
- Tone arm hold down clip was not released.

### RADIO

No radio

- The function switch is not in the correct position. Turn function switch insert to RADIO.

- Adjust the VOLUME knob.
- Rotate the TUNING knob to find a radio station.

### CASSETTE TAPE

Cassette tape cannot be inserted

- The cassette tape is inserted in the wrong position.

No cassette playback

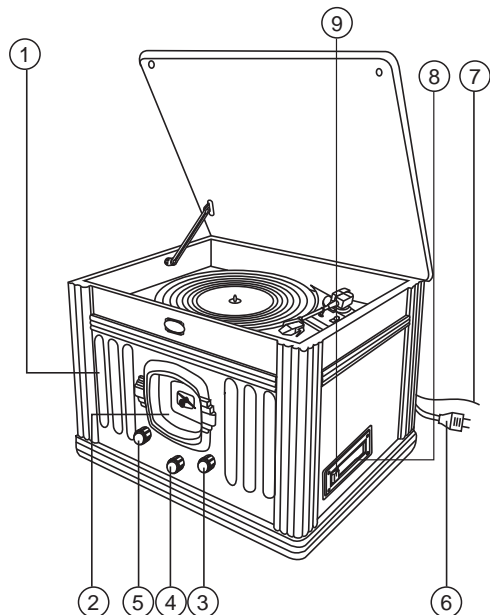
- The cassette tape is not pushed all the way in.
- Adjust the volume knob.
- The cassette has reached the end of the side being played. Open cassette tape door, take out tape, flip over the cassette and reinsert.

Needles are available for additional charges, please call us at 1-800-926-7801 for assistance

[www.crosleyradio.com](http://www.crosleyradio.com)

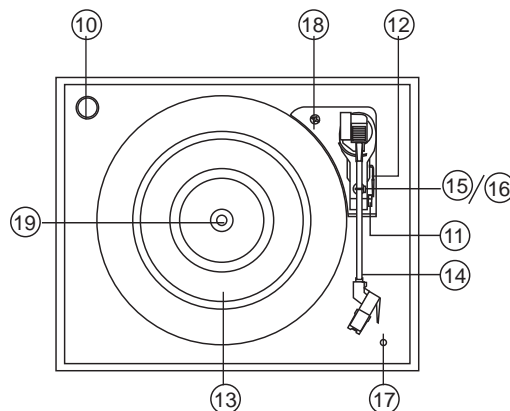
## LOCATION OF PARTS

1. SPEAKER
2. DIAL DISPLAY
3. ON-OFF SWITCH / VOLUME CONTROL
4. TUNING KNOB
5. AM/FM/PHONO BAND SWITCH
6. POWER PLUG
7. FM ANTENNA
8. CASSETTE DOOR
9. EJECT/FF BUTTON



## 10. ADAPTER FOR 45 RPM RECORDS

11. SPEED CONTROL SWITCH
12. CUE LEVER
13. TURNTABLE
14. TONE ARM
15. ARM REST
16. HOLD DOWN CLIP
17. RED POWER LIGHT
18. LARGE CHROME SCREW
- 19.SPINDLE



## Free Manuals Download Website

<http://myh66.com>

<http://usermanuals.us>

<http://www.somanuals.com>

<http://www.4manuals.cc>

<http://www.manual-lib.com>

<http://www.404manual.com>

<http://www.luxmanual.com>

<http://aubethermostatmanual.com>

Golf course search by state

<http://golfingnear.com>

Email search by domain

<http://emailbydomain.com>

Auto manuals search

<http://auto.somanuals.com>

TV manuals search

<http://tv.somanuals.com>