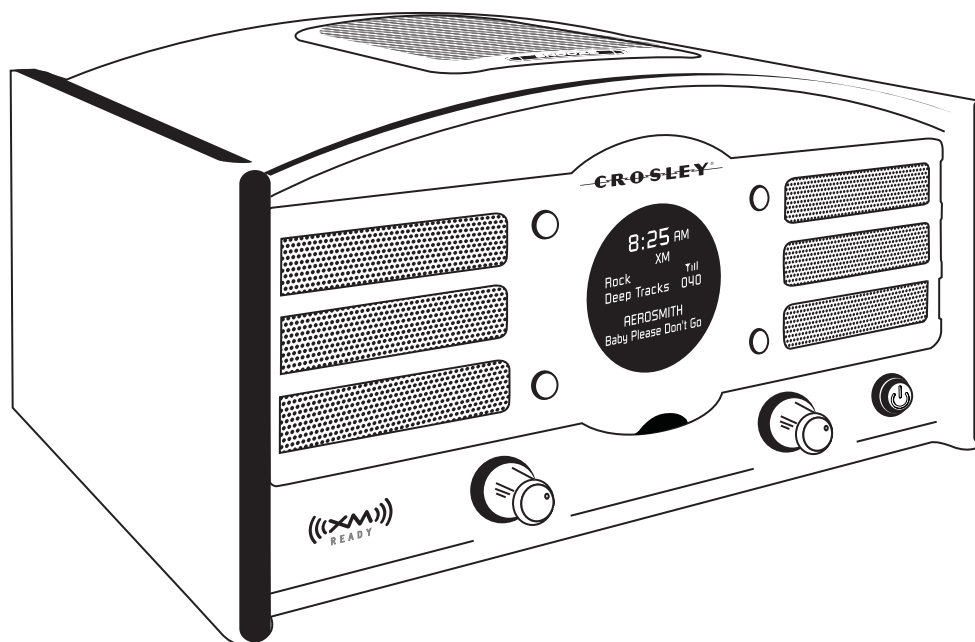


**CROSLEY**

# Instruction Manual **CR-224**

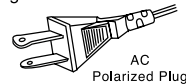
## Explorer I



# IMPORTANT SAFETY INSTRUCTION

## PLEASE READ CAREFULLY ALL THE FOLLOWING IMPORTANT SAFEGUARDS THAT ARE APPLICABLE TO YOUR EQUIPMENT

1. Read Instructions - All the safety and operating instructions should be read before the product is operated.
2. Retain instructions - The safety and operating instructions should be retained for future reference.
3. Heed Warnings - All warnings on the product and in the operating Instructions should be adhered to.
4. Follow Instructions - All operating and use instructions should be followed.
5. Cleaning - Unplug this product from the wall outlet before cleaning. Do not use liquid cleaners or aerosol cleaners. Use a damp cloth for cleaning.
6. Attachments - Do not use attachments not recommended by the product manufacturer as they may cause hazards.
7. Water and Moisture - Do not use this product near water - for example, near a bath tub, wash bowl, kitchen sink, or laundry tub; in a wet basement; or near a swimming pool; and the like.
8. A product and cart combination should be moved with care. Quick stops, excessive force, and uneven surfaces may cause the product and cart combination to overturn.
9. Ventilation - Slots and openings in the cabinet are provided for ventilation and to ensure reliable operation of the product and to protect it from overheating, and these openings must not be blocked or covered. The openings should never be blocked by placing the product on a bed, sofa, rug, or other similar surface. This product should not be placed in a built-in installation such as a bookcase or rack unless proper ventilation is provided or the manufacturer's instructions have been adhered to.
10. Power Sources - This product should be operated only from the type of power source indicated on the marking label, if you are not sure of the type of power supply to your home. Consult your product dealer or local power company. For products intended to operate from battery power, or other sources, refer to the operating instructions.
11. Grounding or Polarization - This product may be equipped with a polarized alternating-current line plug (a plug having one blade wider than the other). This plug will fit into the power outlet only one way. This is a safety feature. If you are unable to insert the plug fully into the outlet try reversing the plug. If the plug should still fail to fit, contact your electrician to replace your obsolete outlet. Do not defeat the safety purpose of the polarized plug.
12. Power - Cord Protection - Power - supply cords should be routed so that they are not likely to be walked on or pinched by items placed upon or against them, paying particular attention to cords at plugs, convenience receptacles, and the point where they exit from the product.
13. Lightning - For added protection for this product during a lightning storm, or when it is left unattended and unused for long periods of time, unplug it from the wall outlet and disconnect the antenna or cable system. This will prevent damage to the product due to lightning and power - line surges.
14. Power Lines - An outside antenna system should not be located in the vicinity of overhead power lines or other electric light or power circuits, or where it can fall into such power lines or circuits. When installing an outside antenna system, extreme care should be taken to keep from touching such power lines or circuits as contact with them might be fatal.
15. Overloading - Do not overload wall outlets, extension cords, or integral convenience receptacles as this can result in a risk of fire or electric shock.
16. Object and Liquid Entry - Never push objects of any kind into this product through openings as they may touch dangerous voltage points or short - out parts that could result in a fire or electric shock. Never spill liquid of any kind on the product.
17. Servicing - Do not attempt to service this product yourself as opening or removing covers may expose you to dangerous voltage or other hazards. Refer all servicing to qualified service personnel.
18. Damage Requiring Service - Unplug this product from the wall outlet and refer servicing to qualified service personnel under the following conditions:
  - a. When the power-supply cord or plug is damaged.
  - b. If liquid has been spilled, or objects have fallen into the product.
  - c. If the product has been exposed to rain or water.
  - d. If the product does not operate normally by following the operating instructions. Adjust only those controls that are covered by the operating instructions as an improper adjustment of other controls may result in damage and will often require extensive work by a qualified technician to restore the product to its normal operation.
  - e. If the product has been dropped or damaged in any way.
  - f. When the product exhibits a distinct change in performance - this indicates a need for service.
19. Replacement Parts - When replacement parts are required, be sure the service technician has used replacement parts specified by the manufacturer or have the same characteristics as the original part. Unauthorized substitutions may result in fire, electric shock, or other hazards.
20. Safety Check - Upon completion of any service or repairs to this product, ask the service technician to perform safety checks to determine that the product is in proper operating condition.
21. Wall or ceiling Mounting - The product should be mounted to a wall or ceiling only as recommended by the manufacturer.
22. Heat - The product should be situated away from heat sources such as radiators. Heat registers, stoves, or other products (including amplifiers) that produce heat.





**WARNING:** Changes or modifications to this unit not expressly approved by the party responsible for compliance could void the user's authority to operate the equipment.

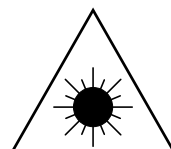
**NOTE:** This equipment has been tested and found to comply with the limits for a Class B digital device, pursuant to Part 15 of the FCC Rules. These limits are designed to provide reasonable protection against harmful interference in a residential installation. This equipment generates, uses, and can radiate radio frequency energy and, if not installed and used in accordance with the instructions, may cause harmful interference to radio communications. However, there is no guarantee that interference will not occur in a particular installation. If this equipment does cause harmful interference to radio or television reception, which can be determined by turning the equipment off and on, the user is encouraged to try to correct the interference by one or more of the following measures:

- Reorient or relocate the receiving antenna.
- Increase the separation between the equipment and receiver.
- Connect the equipment into a circuit different from that to which the receiver is connected.
- Consult the dealer or an experienced radio TV technician for help.

# WARNING:

TO PREVENT FIRE OR SHOCK HAZARD, DO NOT EXPOSE THIS APPLIANCE TO RAIN OR MOISTURE. DO NOT REMOVE COVER. PILOT LAMPS SOLDERED IN PLACE. NO USER SERVICEABLE PARTS INSIDE. REFER SERVICING TO QUALIFIED SERVICE PERSONNEL.

 <p>The lightning flash with arrowhead symbol, within an equilateral triangle, is intended to alert user to the presence of uninsulated "dangerous voltage" within the product's enclosure that may be of sufficient magnitude to constitute risk of electric shock to persons.</p>	<p style="text-align: center;"><b>CAUTION</b></p> <p style="text-align: center;"><b>RISK OF ELECTRIC SHOCK DO NOT OPEN</b></p> <p><b>CAUTION: TO REDUCE THE RISK OF ELECTRIC SHOCK, DO NOT REMOVE COVER (OR BACK). NO USER - SERVICEABLE PARTS INSIDE. REFER SERVICING TO QUALIFIED SERVICE PERSONNEL.</b></p>	 <p>The exclamation point within an equilateral triangle is intended to alert user to the presence of important operating and maintenance (servicing) instruction in the literature accompanying the appliance.</p>
--	--	---

	<p><b>CAUTION</b></p> <p>For Compact Disc Units Only: INVISIBLE LASER RADIATION WHEN OPEN AND INTERLOCK FAILED OR DEFEATED. AVOID DIRECT EXPOSURE TO LASER BEAM.</p>
--	--

## Specification

Frequency Range	: AM 530 - 1710 KHz
	: FM 88.1 - 107.9 MHz
Power Consumption	: 40 Watts
Antennas	: External FM antenna
	: External AM antenna
Power Source	: AC 120V ~ 60 Hz
Speaker	: 3" Studio Drivers X 3

\* DESIGN AND SPECIFICATIONS SUBJECT TO CHANGE WITHOUT NOTICE.

## Welcome

Thank you for purchasing the Crosley Radio CR224 Explorer I. Before operating this unit, please read this manual thoroughly and retain it for future reference.

## Features

### XM Ready

XM offers 160 digital radio channels of commercial-free music and premier news, sports, talk, and traffic and weather in 21 metro markets. XM's on-air hosts broadcast live from studios in Washington, D.C., New York City and Nashville. XM is broadcast via satellite to subscribers from coast to coast. Subscribers listen to XM on a variety of award-winning satellite radios for the vehicle, home, and portable use.

**AroundSound™** - Your Crosley Explorer I features our exclusive AroundSound™ design. Using a fully adjustable custom designed driver, the Explorer I simulates surround sound, via its three distinct channels, creating a warm balanced tone, regardless of where you may be located with regards to the radio.

**Portable Audio Ready™** - Your Explorer I also comes ready to play portable audio products, including MP3 players, gaming devices, CD players, or anything with a headphone or auxiliary output jack.

## About This Manual

Instructions in this manual describe the controls and functions of the CR224 Explorer I.

### Included in this package:

- (1) Explorer I Radio
- (1) External FM antenna
- (1) External AM antenna
- (1) Remote Control
- (1) AC/DC adaptor
- (1) Portable Audio Ready cable

# Getting Started

## Table of Contents

<b>Getting Started</b>		<b>AM/FM Radio</b>	
Unpacking .....	3	Listening to AM/FM Radio .....	11
Set Up .....	3	<b>Station Presets</b>	
Control Locators .....	4-5	Programming Stations into	
Display .....	6	Memory .....	11
Connector Locators .....	7	<b>Alarm</b>	
<b>Basic Operation</b>		Alarm Setup .....	12
Unit Controls .....	8-9	Sleep and Snooze Setup .....	13
Clock Setup .....	9	Battery Back-Up .....	13
Audio Setup .....	10	<b>Portable Audio Ready</b>	
Contrast .....	10	Auxiliary Input .....	14
Factory Restore .....	10	Auxiliary Output .....	14
<b>Radio Operation</b>		<b>General</b>	
XM Radio		Troubleshooting Guide .....	15
XM setup .....	11	Warranty Information .....	17
Listening to XM Radio .....	11		

## Getting Started

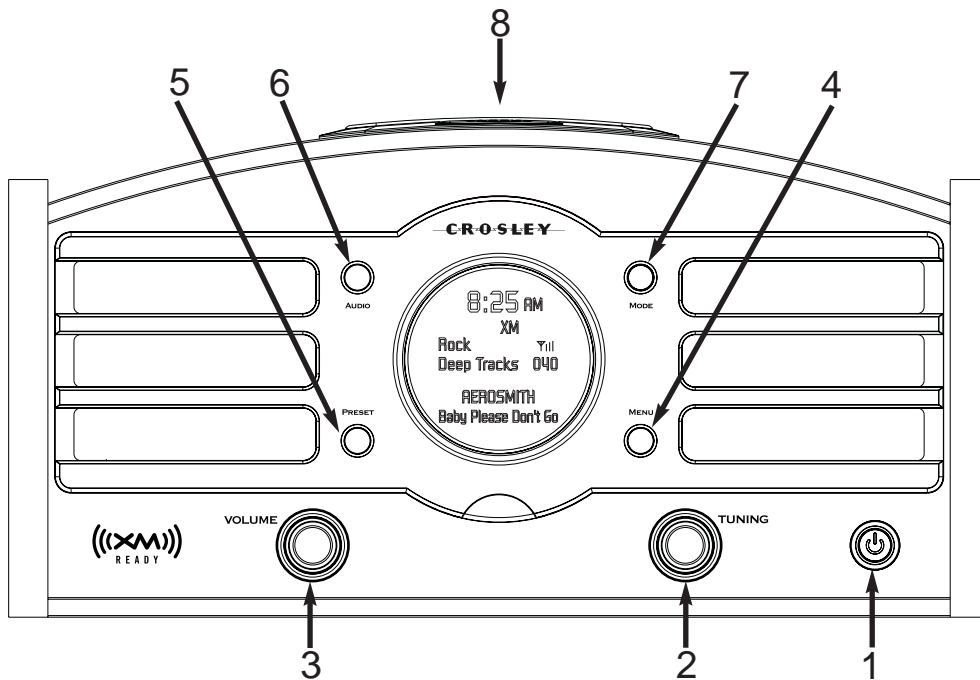
### Unpacking

1. Remove packing material from the unit.  
Note: Save all packing materials.
2. Remove radio and all accessories.
4. Remove the protective plastic covering the radio and all accessories.

### Set Up

1. Unwind the AC/DC power adaptor.
2. Plug AC end into appropriate outlet.
3. Plug the small end of the adaptor into the 12v Jack on the back of the unit.
4. Connect the FM antenna to the FM antenna jack on the back of the unit.
5. Connect the AM antenna to the External AM quick connectors.
6. Remove protective battery tab from remote control.

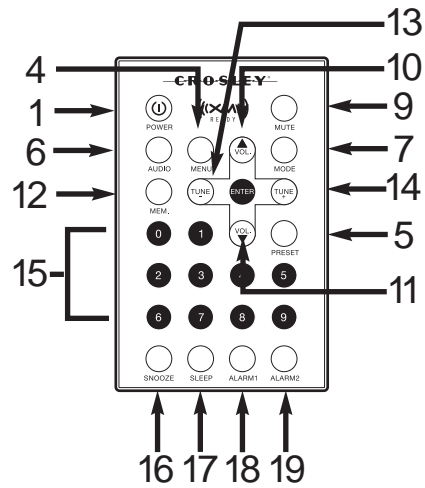
# Getting Started



## Control Locators

- |                   |                  |
|-------------------|------------------|
| 1. Power          | 5. Preset        |
| 2. Tuning / Enter | 6. Audio         |
| 3. Volume         | 7. Mode          |
| 4. Menu           | 8. Snooze / Mute |

## Getting Started



### Remote Locators

- |                 |                  |
|-----------------|------------------|
| 9. Mute         | 14. Tuning Up    |
| 10. Volume Up   | 15. Numeric keys |
| 11. Volume Down | 16. Snooze       |
| 12. Memory      | 17. Sleep        |
| 13. Tuning Down | 18. Alarm 1      |
|                 | 19. Alarm 2      |

## Getting Started

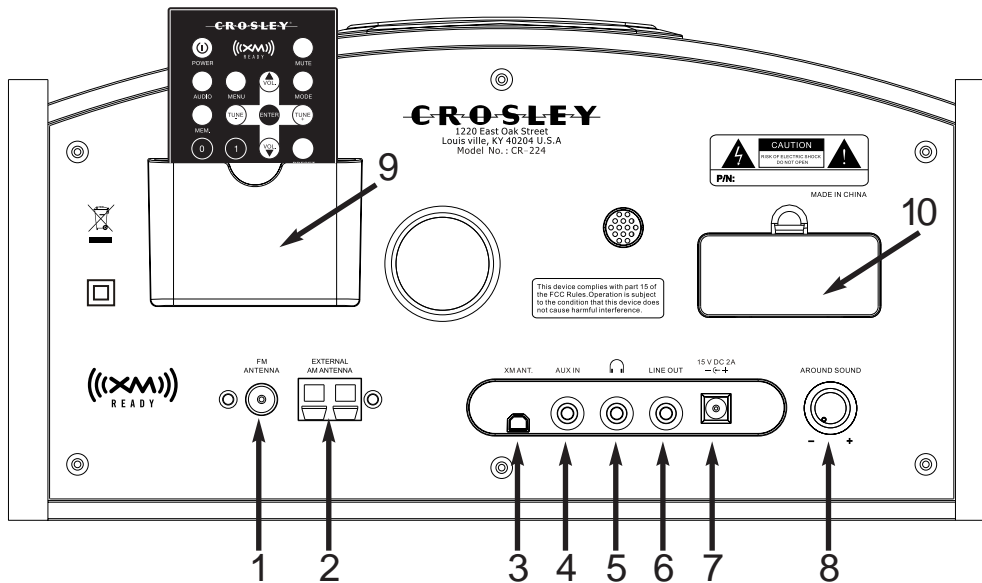


### Display Locators

1. Time
2. Mode
3. XM Antenna Signal
4. Station Information
5. Artist / Song Title



## Getting Started



### Connector Locators

- |                        |                           |
|------------------------|---------------------------|
| 1. FM Antenna          | 6. Line Out               |
| 2. External AM Antenna | 7. 12v Jack               |
| 3. XM Antenna Jack     | 8. AroundSound™ Control   |
| 4. Auxillary In        | 9. Remote Holder          |
| 5. Headphone Jack      | 10. Battery Back-up Cover |

## Basic Operation

### Unit Controls

1. **Power Button** – This button turns the main power on/off. When in the off position, the time and date will be displayed.
2. **Tuning Knob** – The Tuning Knob is used to change AM/FM/XM stations. Pressing the Tuning Knob enters the selected station during tuning, and also selected menu options.
3. **Volume Knob** – Rotate to adjust volume to desired listening level.
4. **Menu** – The Menu Button is used to access all menu items. After pressing the menu button, rotate the Tuning Knob to browse through the menu selections. Push the Tuning Knob to select a menu function. The menu functions are as follows: XM SETUP – AUDIO SETUP – CLOCK SETUP – ALARM SETUP – SLEEP AND SNOOZE SETUP – CONTRAST SETUP – FACTORY RESTORE – SOFTWARE VERSION.
5. **Preset Button** – Pressing the Preset Button takes you through stations saved into memory.
6. **Audio Button** – This button takes you directly into the Audio Setup section of the menu. Here, you can select and adjust Bass, Treble, and Balance. Use the Tuning Button to select which to adjust.
7. **Mode Button** – Pressing the Mode Button toggles between the modes AM – FM – XM – AUX.
8. **Snooze Button** – The Snooze Button has three different functions.
  1. Pressing the Snooze Button once the Alarm has been activated puts the unit into Snooze mode.
  2. Pressing the Snooze Button during normal operation mutes the volume.
  3. When the units power is turned off, pressing the Snooze Button will temporarily light the display so the time and date can be seen.

### Remote Control

9. **Mute Button** – Pressing this button mutes the volume.
10. **MEM. Button** – Memory Button, used to program presets.
11. **Tune -** – Changes stations in descending order.
12. **Tune +** – Changes stations in ascending order.
13. **Volume Up** – Increases volume level.
14. **Volume Down** – Decreases volume level.

## Basic Operation

15. Enter – Use to select stations and menu functions.
16. Number Keys – Use to enter in stations or presets.
17. Snooze – The Snooze Button on the remote works slightly different than the one on the radio.
  1. Pressing when the alarm is activated puts the unit into Snooze mode.
  2. Pressing the Snooze Button while the unit is on accesses the Snooze Setup section of the menu.
  3. Pressing with the power off will temporarily light the display so the time and date can be seen.
18. Sleep – Accesses the Snooze Setup section of the menu.
19. Alarm 1 – Turns Alarm 1 on/off.
20. Alarm 2 – Turns Alarm 2 on/off.

### Clock Setup

To set the clock, follow the steps below.

1. With the power turned on, press the Menu Button.
2. Rotate the Tuning Knob to highlight Clock Setup.
3. Press the Tuning Knob to select Clock Setup.
4. Time will be automatically highlighted. Press the Tuning Knob to select.
5. Rotate the Tuning Knob to select correct hour.  
Note: Make sure to select the hour with correct AM or PM.
6. Press the Tuning Knob to select minutes.
7. Rotate the Tuning Knob to set the correct minutes.
8. Press the Tuning Knob to set the time and close the menu.
9. Rotate the Tuning Knob to highlight hour and press to select.
10. Choose between 12 hour and 24 hour format. Press the Tuning Knob to select.
11. Rotate the Tuning Knob to select date and press to select.
12. Set the date by rotating the Tuning Knob. Press select to enter the date.
13. You can change the date format by choosing Format. Select your preference and press the Tuning Knob to enter.
14. Once finished, the radio will automatically exit the menu setup after a few seconds.

## Basic Operation

### Audio Setup

Use this feature to customize your sound by adjusting bass, treble and balance settings.

1. Press the Menu Button.
2. Rotate the Tuning Knob to highlight Audio and press to select.
3. Choose which audio feature you want to adjust and press the Tuning Knob to select.
4. Rotate the Tuning Knob to select the desired value (-5 to +5) and press to select.

### Contrast Setup

Using this feature, you can change the contrast of the LCD to your desired level. Follow the instructions below to adjust the contrast.

1. Press the Menu Button.
2. Rotate the Tuning Knob to select Contrast Setup and press to enter.
3. Rotate the Tuning Knob to select the desired appearance and press again to select.

### Factory Restore

Using the Factory Restore feature will restore the unit to its default settings. All presets including clock and alarm times will need be reset if this feature is used. In the event you need to reset the unit, follow these instructions.

1. Press the Menu button.
2. Rotate the Tuning Knob to select Factory Restore and press to enter.
3. Rotate the Tuning Knob to select Yes and press to enter.
4. The unit will now be reset. Allow time for the unit to reset and restart.

## Radio Operation

### XM Radio

XM \$12.95 monthly service subscription sold separately. XM Passport or Connect and Play system required to receive XM service (sold separately). Installation costs and other fees and taxes, including a one-time activation fee may apply. Subscription fee is consumer only.

All fees and programming subject to change. Channels with frequent explicit language are indicated with an XL. Channel blocking is available for XM radio receivers by calling 1-800-XMRADIO. Subscriptions subject to Customer Agreement available at xmradio.com. XM service only available in the 48 contiguous United States. [XM Ready, XMDirect\*] are trademarks of XM Satellite Radio Inc. ©2006 XM Satellite Radio Inc. All rights reserved.

### XM Setup

By using the XM Setup, you can customize how you search for programming.

Search Method – Allows you to search by Category or Channel.

Direct Tune – With Direct Tune on, the Explorer I will automatically switch to a selected station. With Direct Tune off, find the desired station, and press enter to select.

Diagnostic – Monitor signal and satellite strength.

### Listening to XM Radio

1. With the power turned on, press the Mode Button to highlight XM and press Tuning Knob or Enter on remote to select.
2. Rotate the Tuning Knob to select a channel and press to enter.
3. If using Category Mode, select a category and rotate the Volume Knob to select a channel. Press the Tuning Knob to enter the selected channel.
4. Adjust volume to desired listening level.

### AM/FM Radio

1. With the power turned on, press the Mode Button to highlight either AM or FM.
2. Rotate the Tuning Knob to select a desired station and press to enter.
3. Adjust volume to desired listening level.

### Station Presets

Programming Stations into Memory.

You can program up to 20 AM, 20 FM and 20 XM stations into the memory.

1. Select the mode in which you wish to program the presets (AM, FM, XM).
2. Select a station or channel you wish to program.
3. Using the remote control, press the memory Button repeatedly until the desired preset location is reached. Ex: 4/20.
4. Press the Enter key on the remote to store the desired station/channel.
5. Repeat steps 1-4 to store other presets.

## Alarm

### Alarm

#### Alarm Setup

This unit is equipped with dual alarms. The alarms can be set independently of each other. You can also choose to wake to AM, FM, XM or the buzzer. To set Alarm 1, follow the steps below.

1. With the power turned on, press the Menu Button.
  2. Rotate the Tuning Knob to select Alarm Setup and press to enter.
  3. Select Alarm 1 and press the Tuning Knob to enter.
  4. Press the Tuning Knob to turn the selected alarm on or off.
  5. Rotate the Tuning Knob to select Time and press to enter.
  6. Set the Alarm time by rotating the Tuning Knob to select the correct hour.
  7. Once the hour is set, press the Tuning Knob to select the minutes and rotate to set. Once set, press the Tuning Knob again to enter.
  8. Rotate the Tuning Knob to select Source and press enter.
  9. Rotate the Tuning Knob to select AM, FM, XM or Buzzer and press to enter.
  10. Rotate the Tuning Knob to choose a preset to wake to and press to enter.
  11. If you choose to wake to AM, FM or XM, rotate the Tuning Knob to select Volume and press to enter.
  12. Rotate the Tuning Knob to select the desired volume level and press to enter.
  13. To set Alarm 2, select Alarm 2 in step 3. Repeat steps 4-12
  14. Once the alarm goes off, you can either press the Snooze button to put it into snooze mode, or press the Power button to turn the alarm off.
- Note: Make sure the clock is set to the correct time.

#### Using Remote to turn Alarms ON/OFF

Once the alarms are set, you can use the remote control to turn the alarms on and off.

1. With the power turned on, press Alarm 1 on the Remote.
  2. The alarm settings for Alarm 1 will be shown.
  3. Press the Alarm 1 Button again to turn the alarm on/off.
  4. Pressing Alarm 2 will show the settings for Alarm 2
  5. Press Alarm 2 Button again to turn the alarm on/off.
- Note: To change alarm time, source, or volume level, you must use the Alarm Setup function of the menu.

## Alarm

### Sleep and Snooze Setup

These features allow you to customize sleep and snooze settings. Sleep settings can be adjusted from 10-90 minutes. Snooze can be adjusted from 5-30 minutes. Follow the instructions below to set each.

#### Sleep Setup

1. With the power turned on, press the Menu Button.
2. Rotate the Tuning Knob to select Sleep and Snooze Setup and press to enter.
3. Rotate the Tuning Knob to select Sleep Setup and press to enter.
4. Press Tuning Knob to turn Sleep on/off.  
Note: You can also turn Sleep on/off by pressing Sleep on the remote.
5. Rotate Tuning Knob to select time and press enter.
6. Rotate again to select desired sleep time and press to enter.

#### Snooze Setup

1. With the power turned on, press the Menu Button.
2. Rotate the Tuning Knob to select Sleep and Snooze Setup and press to enter.
3. Rotate the Tuning Knob to select Snooze Setup and press to enter.
4. Rotate Tuning Knob to select desired snooze time and push to select.  
Note: You can also set the Snooze time by pressing Snooze on the Remote and using Tune- and Tune+ to set the amount of snooze time.

### Battery Back-Up

Your Explorer I includes a battery back-up circuit. The battery will maintain the clock and alarm settings in the event of a power failure. The battery back-up requires two AAA batteries (not included). The battery compartment is located on the back of the radio. To install/replace the battery, follow the instructions below.

1. Remove the Battery Back-Up Cover.
2. Remove old batteries if present.
3. Install two new AAA batteries.
4. Replace Battery Back-Up Cover.

If the power is interrupted, the clock and alarm times will remain stored but the display will be blank to conserve power. The display will come back on and show the correct time once power has been restored.

Note: In the event of a power failure, the alarm will default to buzzer mode until power is restored. It is recommended to check/replace the batteries every 9-12 months.

## Portable Audio Ready

### Portable Audio Ready

#### Auxiliary Input

This unit comes ready for portable audio. Using the supplied mini pin cable, hooking up portable audio is a snap. Follow the instruction below to hook up your portable audio player.

1. Using the supplied mini pin cable, connect one end to the Aux In jack on the back of the unit.
2. Connect the other end into the output jack or the headphone jack of your external device.
3. Turn on your portable audio device and set the volume to approximately 10% of full volume.
4. Press the Mode Button on your Explorer I to select Aux.
5. Begin playback of your portable audio device.
6. Adjust the volume of the Explorer I to your desired listening level.  
For more volume, increase the setting on your portable device.

#### Auxiliary Output

The Auxiliary Output feature is designed to let you use your Explorer I as an audio source for other components. Follow the instructions below to hook up the Auxiliary Output.

1. Using the supplied Mini Pin Cable, connect one end to the Line Out Jack (auxiliary output) on the back of your Explorer.
2. Plug the other end into an auxiliary input jack on the desired component.  
Note: If the desired component does not have a mini pin input jack, a separate cable will be needed (not included).
3. For information on using the auxiliary input feature of a specific component, refer to the auxiliary input section in the instruction manual of the desired component.
4. Press the Mode Button on your Explorer I to select the desired output; AM, FM, XM or Aux.  
Note: You can still listen to your Explorer I while using the Aux Out feature.



## General

### General Troubleshooting Guide

There is no power.

1. Make sure AC to DC power cord is plugged in at the wall and at the back of the unit.
2. Check that the Function Knob is not in the OFF position.

There is no sound.

1. Make sure the Function switch is not in the AUX position.
2. Make sure the mute feature is not on.

The sound is distorted.

1. Adjust the tuner and/or antenna to improve the signal strength. Under certain circumstances, the reception may be improved by relocating the unit.
2. When using the "Aux in" plug, turn off any EQ settings on the portable device.
3. Check the volume level of external device if listening to auxiliary input. It should be set as low as possible.

XM Radio will not work.

1. Check the antenna for signal and location.

## Warranty

Crosley Radio Products are warranted against defects in material and workmanship for a period of 1 Year beginning from the date of sale to the original purchaser.

Should the unit fail under normal usage during the 1 Year warranty period, a request for RETURN AUTHORIZATION (R.A.) must be made by the original customer before returning the unit. Call Crosley Radio customer service for Return Authorization at (502) 583-4246 from 9 AM to 5 PM (EST) Monday to Friday.

Upon receiving the RETURN AUTHORIZATION number from the Customer Service Department, properly pack your unit in its original packaging. Include any adapters, parts, & accessories which were originally provided with the product, along with a check or money order for \$19.95 made out to Crosley Radio to cover the handling and return postage. Display the R.A. # on the outside of the carton and ship PREPAID via standard UPS or its equivalent.

**CROSLEY**  
**RADIO**

ATTN: RETURNING DEPT  
2001 PRODUCTION DRIVE  
BAY 2 & 3  
LOUISVILLE, KY 40299

CROSLEY RADIO assumes no responsibility for units sent without prior Return Authorization.

The purchaser's bill of sale is the only proof of warranty entitlement and must accompany the unit.

The warranty does not cover damage due to acts of nature, accident, misuse, abuse, negligence, commercial use or modification of, or to any part of the product. This warranty does not cover damage due to improper operation or maintenance, connection to improper voltage supply, or attempted repair by anyone other than a facility authorized by Crosley Radio to service the product. This warranty does not cover products sold AS IS or consumables (such as fuses or batteries). This warranty is valid only in the United States.

This warranty gives the purchaser specified legal rights in addition to any rights which may vary from state to state.

In accordance with the "Moss-Magnuson Warranty Act" of July 10, 1975, this is termed a "limited warranty" which in no way compromises Crosley Music Works, high standards of Quality and Workmanship.

## Notes



1220 East Oak Street  
Louisville, Kentucky 40204

## Free Manuals Download Website

<http://myh66.com>

<http://usermanuals.us>

<http://www.somanuals.com>

<http://www.4manuals.cc>

<http://www.manual-lib.com>

<http://www.404manual.com>

<http://www.luxmanual.com>

<http://aubethermostatmanual.com>

Golf course search by state

<http://golfingnear.com>

Email search by domain

<http://emailbydomain.com>

Auto manuals search

<http://auto.somanuals.com>

TV manuals search

<http://tv.somanuals.com>