

WARRANTY

Crosley Radio Products are warranted against defects in material and workmanship for a period of 180 days beginning from the date of sale to the original purchaser.

Should the unit fail under normal usage during the 180 day warranty period, a request for RETURN AUTHORIZATION (R.A.) must be made by the original customer before returning the unit. Call Deer Park Distributors customer service for Return Authorization at (618) 427-3761 from 8:30 AM to 4:30 PM (Central Time) Monday through Friday.

Upon receiving the RETURN AUTHORIZATION number from the Customer Service Department, properly pack your unit in its original packaging. Include any adapters, parts, & accessories which were originally provided with the product, along with a check or money order for \$99.95 made out to Deer Park Distributors to cover the handling and return postage. Display the R.A. # on the outside of the carton and ship PREPAID via standard UPS or its equivalent.

DEER PARK DISTRIBUTORS, LLC
ATTN: RETURNS DEPARTMENT
111 W. BIRCH STREET
BROWNSTOWN, IL 62418

DEER PARK DISTRIBUTORS assumes no responsibility for units sent without prior Return Authorization.

The purchaser's bill of sale is the only proof of warranty entitlement and must accompany the unit.

The warranty does not cover damage due to acts of nature, accident, misuse, abuse, negligence, commercial use or modification of, or to any part of the product. This warranty does not cover damage due to improper operation or maintenance, connection to improper voltage supply, or attempted repair by anyone other than a facility authorized by Crosley Radio to service the product. This warranty does not cover products sold AS IS or consumables (such as fuses or batteries). This warranty is valid only in the United States.

This warranty gives the purchaser specified legal rights in addition to any rights which may vary from state to state.

In accordance with the "Moss-Magnuson Warranty Act" of July 10, 1975, this is termed a "limited warranty" which in no way compromises Crosley Radio, high standards of Quality and Workmanship.

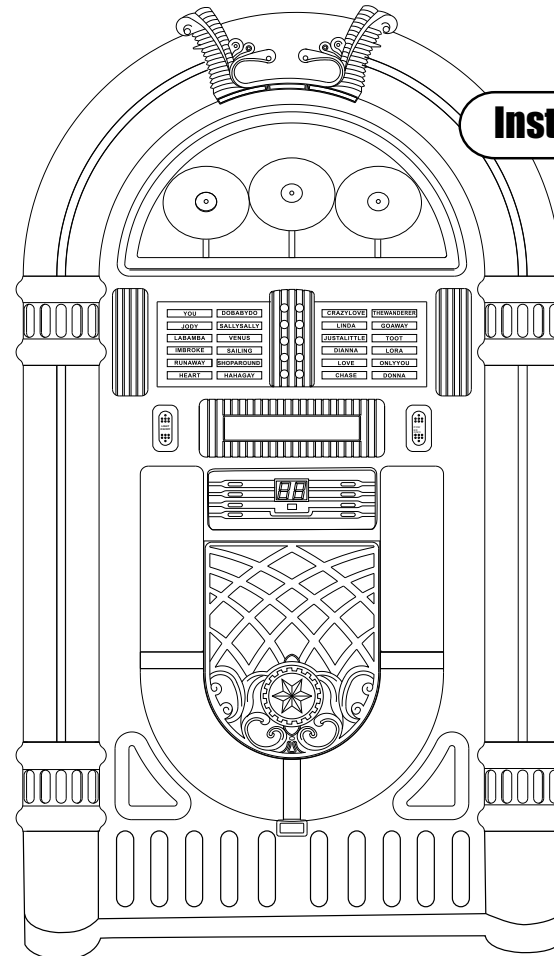
910-255800-001

CROSLEY[®]
RADIO

CR12-3

3CD Jukebox

Instruction Manual



CD Operation

Disc Selection

- 1 Press DISC SKIP - (13) or DISC SKIP + (12) to select the desired disc, the DISC INDICATOR (25, 26, 27) will flash.
- 2 Press the PLAY/PAUSE BUTTON (22) to start playback.

CD Program

- 1 Press the Program button (42) on the remote control. The Program Indicator (23) will flash.
- 2 Press the forward skip (45) or backward skip (46) to display the first track you want.
- 3 Press the Program button (42) again to memorize the track.
- 4 Repeat steps 2 and 3 above to program other tracks.
- 5 Press the Play/Pause button (22/40) to start programmed playback.
- 6 To clear programmed tracks from memory, press the Open/Close button or turn power off.

Notes: Program, Repeat and Random can only be set for a single disc.

A maximum of 19 tracks can be programmed.

General

Troubleshooting

There is no Power

- 1 Make sure the AC cord is plugged in correctly.

There is no Sound

- 1 Check the volume level by turning the volume knob.
- 2 Check that the INT/EXT Speaker Switch is in the INT. position. If you are using external speakers, make sure its in the EXT. position.

CD does not play

- 1 Check to make sure CD is inserted correctly (label side facing up).
- 2 Check that the surface of the CD is clean
- 3 Make sure function switch is set to CD.

IMPORTANT SAFETY INSTRUCTION

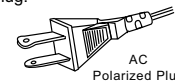
PLEASE READ CAREFULLY ALL THE FOLLOWING IMPORTANT SAFEGUARDS THAT ARE APPLICABLE TO YOUR EQUIPMENT

1. Read Instructions - All the safety and operating instructions should be read before the product is operated.
2. Retain instructions - The safety and operating instructions should be retained for future reference.
3. Heed Warnings - All warnings on the product and in the operating instructions should be adhered to.
4. Follow Instructions - All operating and use instructions should be followed.
5. Cleaning - Unplug this product from the wall outlet before cleaning. Do not use liquid cleaners or aerosol cleaners. Use a damp cloth for cleaning.
6. Attachments - Do not use attachments not recommended by the product manufacturer as they may cause hazards.
7. Water and Moisture - Do not use this product near water - for example, near a bath tub, wash bowl, kitchen sink, or laundry tub; in a wet basement; or near a swimming pool; and the like.
8. A product and cart combination should be moved with care. Quick stops, excessive force, and uneven surfaces may cause the product and cart combination to overturn.
9. Ventilation - Slots and openings in the cabinet are provided for ventilation and to ensure reliable operation of the product and to protect it from overheating, and these openings must not be blocked or covered. The openings should never be blocked by placing the product on a bed, sofa, rug, or other similar surface. This product should not be placed in a built-in installation such as a bookcase or rack unless proper ventilation is provided or the manufacturer's instructions have been adhered to.
10. Power Sources - This product should be operated only from the type of power source indicated on the marking label, if you are not sure of the type of power supply to your home. Consult your product dealer or local power company. For products intended to operate from battery power, or other sources, refer to the operating instructions.
11. Grounding or Polarization - This product may be equipped with a polarized alternating-current line plug (a plug having one blade wider than the other). This plug will fit into the power outlet only one way. This is a safety feature. If you are unable to insert the plug fully into the outlet try reversing the plug. If the plug should still fail to fit, contact your electrician to replace your obsolete outlet. Do not defeat the safety purpose of the polarized plug.
12. Power - Cord Protection - Power - supply cords should be routed so that they are not likely to be walked on or pinched by items placed upon or against them, paying particular attention to cords at plugs, convenience receptacles, and the point where they exit from the product.
13. Lightning - For added protection for this product during a lightning storm, or when it is left unattended and unused for long periods of time, unplug it from the wall outlet and disconnect the antenna or cable system. This will prevent damage to the product due to lightning and power - line surges.
14. Power Lines - An outside antenna system should not be located in the vicinity of overhead power lines or other electric light or power circuits, or where it can fall into such power lines or circuits. When installing an outside antenna system, extreme care should be taken to keep from touching such power lines or circuits as contact with them might be fatal.
15. Overloading - Do not overload wall outlets, extension cords, or integral convenience receptacles as this can result in a risk of fire or electric shock.
16. Object and Liquid Entry - Never push objects of any kind into this product through openings as they may touch dangerous voltage points or short - out parts that could result in a fire or electric shock. Never spill liquid of any kind on the product.
17. Servicing - Do not attempt to service this product yourself as opening or removing covers may expose you to dangerous voltage or other hazards. Refer all servicing to qualified service personnel.
18. Damage Requiring Service - Unplug this product from the wall outlet and refer servicing to qualified service personnel under the following conditions;
 - a. When the power-supply cord or plug is damaged.
 - b. If liquid has been spilled, or objects have fallen into the product.
 - c. If the product has been exposed to rain or water.
 - d. If the product does not operate normally by following the operating instructions. Adjust only those controls that are covered by the operating instructions as an improper adjustment of other controls may result in damage and will often require extensive work by a qualified technician to restore the product to its normal operation.
 - e. If the product has been dropped or damaged in any way.
 - f. When the product exhibits a distinct change in performance - this indicates a need for service.
19. Replacement Parts - When replacement parts are required, be sure the service technician has used replacement parts specified by the manufacturer or have the same characteristics as the original part. Unauthorized substitutions may result in fire, electric shock, or other hazards.
20. Safety Check - Upon completion of any service or repairs to this product, ask the service technician to perform safety checks to determine that the product is in proper operating condition.
21. Wall or ceiling Mounting - The product should be mounted to a wall or ceiling only as recommended by the manufacturer.
22. Heat - The product should be situated away from heat sources such as radiators. Heat registers, stoves, or other products (including amplifiers) that produce heat.

WARNING: Changes or modifications to this unit not expressly approved by the party responsible for compliance could void the user's authority to operate the equipment.

NOTE: This equipment has been tested and found to comply with the limits for a Class B digital device, pursuant to Part 15 of the FCC Rules. These limits are designed to provide reasonable protection against harmful interference in a residential installation. This equipment generates, uses, and can radiate radio frequency energy and, if not installed and used in accordance with the instructions, may cause harmful interference to radio communications. However, there is no guarantee that interference will not occur in a particular installation. If this equipment does cause harmful interference to radio or television reception, which can be determined by turning the equipment off and on, the user is encouraged to try to correct the interference by one or more of the following measures:

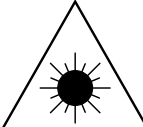
- Reorient or relocate the receiving antenna.
- Increase the separation between the equipment and receiver.
- Connect the equipment into an circuit different from that to which the receiver is connected.
- Consult the dealer or an experienced radio TV technician for help.



WARNING:

TO PREVENT FIRE OR SHOCK HAZARD, DO NOT EXPOSE THIS APPLIANCE TO RAIN OR MOISTURE. DO NOT REMOVE COVER. PILOT LAMPS SOLDERED IN PLACE. NO USER SERVICEABLE PARTS INSIDE. REFER SERVICING TO QUALIFIED SERVICE PERSONNEL.

 <p>The lightning flash with arrowhead symbol, within an equilateral triangle, is intended to alert user to the presence of uninsulated "dangerous voltage" within the product's enclosure that may be of sufficient magnitude to constitute risk of electric shock to persons.</p>	<p>CAUTION RISK OF ELECTRIC SHOCK DO NOT OPEN</p> <p>CAUTION: TO REDUCE THE RISK OF ELECTRIC SHOCK, DO NOT REMOVE COVER (OR BACK). NO USER - SERVICEABLE PARTS INSIDE. REFER SERVICING TO QUALIFIED SERVICE PERSONNEL.</p>	 <p>The exclamation point within an equilateral triangle is intended to alert user to the presence of important operating and maintenance (servicing) instruction in the literature accompanying the appliance.</p>
--	--	--

	<p>CAUTION For Compact Disc Units Only: INVISIBLE LASER RADIATION WHEN OPEN AND INTERLOCK FAILED OR DEFEATED. AVOID DIRECT EXPOSURE TO LASER BEAM.</p>
---	---

Specification

Frequency Range	: AM 525 - 1710 KHz : FM 87.5 - 108.5 MHz
Power Supply	: AC 120V ~ 60Hz
Power Consumption	: 100W
Antenna	: Internal antenna for FM built in ferrite bar for AM
Speaker	: 6 1/2" Dynamic type X 2 : 2 1/2" Tweeter type X 2

* DESIGN AND SPECIFICATIONS SUBJECT TO CHANGE WITHOUT NOTICE.

BBE
Mach3Bass

CD Operation

Playing a CD

- 1 Rotate the FUNCTION SWITCH (7) to the CD position.
 - 2 Press the OPEN/CLOSE BUTTON (19) to open the CD DRAWER (3). Choose your selected disc tray by sliding the CD tray manually, and then place a disc in the tray with labeled side of the disc facing up.
 - 3 Press the OPEN/CLOSE BUTTON (19) again to close the CD DRAWER (3). The display will show "-- for a few seconds, then the total number of tracks on the disc will be displayed. If there's no disc in tray 1, the unit will move to the next tray. "00" will be shown on the display if there is no disc loaded in any of the CD Drawers.
 - 4 Press the PLAY/PAUSE BUTTON (22) to start playback. The PLAY/PAUSE INDICATOR (17) will light up.
 - 5 Adjust the VOLUME KNOB (10) to the desired volume level.
 - 6 To pause playback, press the PLAY/PAUSE BUTTON (22). The PLAY/PAUSE INDICATOR (17) will flash. Press the PLAY/PAUSE BUTTON (22) again to resume playback.
 - 7 To stop playback, press the STOP BUTTON (21) and the PLAY/PAUSE INDICATOR (17) will go off.
- 2 To repeat all tracks, press the PLAY/PAUSE BUTTON (22) to start the CD. Press the REPEAT BUTTON (20) twice to repeat all tracks and LED will on. Once the CD ends, it will start over again from the beginning of the CD.
 - 3 To erase the repeat function, press the REPEAT BUTTON (20).

Skip Forward And Reverse

- 1 Press the FORWARD SKIP BUTTON (14) or the BACKWARD SKIP BUTTON (15) to select a track.
- 2 Press the PLAY/PAUSE BUTTON (22) to start playing the selected track

Search Forward And Reverse

- 1 Press and hold the FORWARD SKIP BUTTON (14) or the BACKWARD SKIP BUTTON (15) to search forward or backward through the selected track.
- 2 Release the button at the desired point, playback will resume automatically.

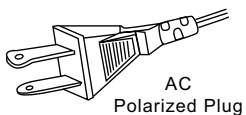
Repeat Playback

- 1 To repeat a single track, choose the track that you want to repeat, then press the PLAY/PAUSE BUTTON (22) to start the track. Press the REPEAT BUTTON (20) once to repeat this track and LED will flash.

Getting Started

Set Up

- 1 Untie the AC Power Cord (30) at the back of the unit.
- 2 Remove Plug safety cover on the prongs of the plug.
- 3 Plug the AC cord into an appropriate outlet.



- 4 This product is equipped with a polarized alternating current line plug (a plug having one blade wider than the other). This plug will fit into the power outlet only one way. This is a safety feature. If you are unable to insert the plug fully into the outlet, try reversing the plug. If the plug should still fail to fit, contact your electrician to replace your obsolete outlet. Do not defeat the purpose of the polarized plug.

RADIO Operation

Radio Operation

- 1 Rotate the FUNCTION SWITCH (7) to the Tuner position.
- 2 Rotate the TUNING BAND SWITCH (8) to the desired tuning band.
- 3 Select the desired radio station by rotating TUNING KNOB (9).
- 4 Adjust the VOLUME KNOB (10) to the desired sound level.

BBE Function

- 1 **BBE** Mach3Bass - To enhance the sound quality, press the BBE ON/OFF switch (6) to activate the function.

Welcome

Thank you for purchasing the Crosley Jukebox (CR12-3). Before operating this unit, please read this manual thoroughly and retain it for future reference.

About This Manual

Instructions in this manual describe the control functions of the CR12-3.

Table of Contents

Getting Started

Control Locators.....	4 - 5
Set up	6

Radio

AM/FM Tuning	6
BBE Function	6

CD Player

Playing a CD	7
Repeat Playback	7
Skip Forward And Reverse	7
Search Forward	
And Reverse	7
Disc Selection	8
Programmable CD Player	8

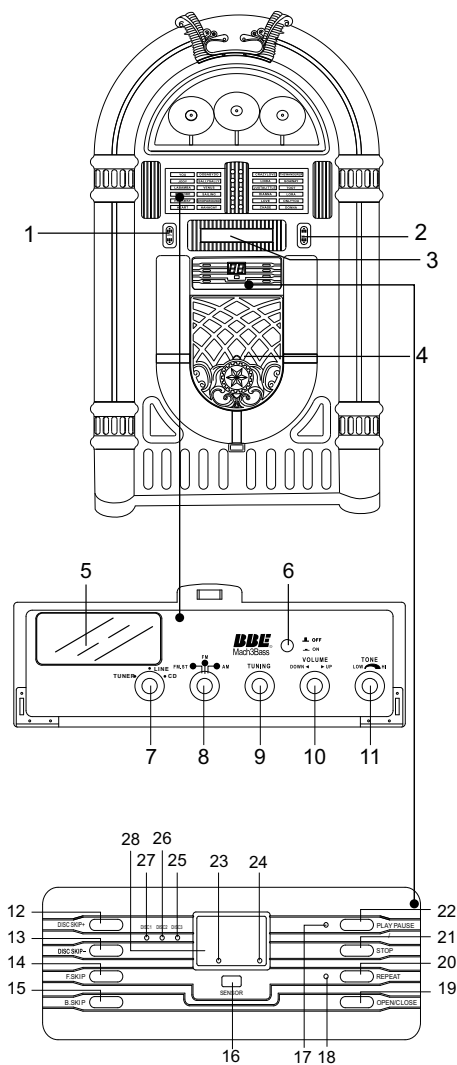
General

Troubleshooting Guide	8
Warranty	10

Control Locators

Unit Controls

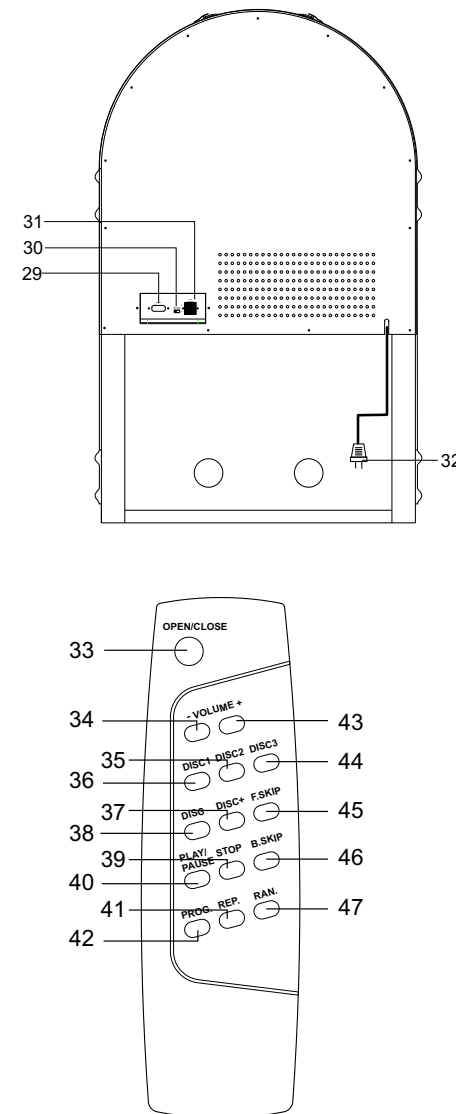
1. LIGHT POWER SWITCH
2. POWER BUTTON
3. CD DRAWER
4. SPEAKER
5. TUNER DIAL
6. BBE ON/OFF
7. FUNCTION SWITCH
8. TUNING BAND SWITCH
9. TUNING
10. VOLUME CONTROL
11. TONE CONTROL
12. DISC SKIP +
13. DISC SKIP -
14. FORWARD SKIP
15. BACKWARD SKIP
16. SENSOR
17. PLAY/PAUSE INDICATOR
18. REPEAT INDICATOR
19. OPEN/CLOSE
20. REPEAT
21. STOP
22. PLAY/PAUSE
23. PROGRAM INDICATOR
24. RANDOM INDICATOR
25. DISC 3 INDICATOR
26. DISC 2 INDICATOR
27. DISC 1 INDICATOR
28. LED DISPLAY



Control Locators

Unit Controls

29. LINE IN
30. Int./Ext. SPEAKER SWITCH
31. EXT. SPEAKER
32. AC POWER CORD
33. OPEN/CLOSE
34. VOLUME DOWN
35. DISC 2
36. DISC 1
37. DISC SKIP +
38. DISC SKIP -
39. STOP
40. PLAY/PAUSE
41. REPEAT
42. PROGRAM
43. VOLUME UP
44. DISC 3
45. FORWARD SKIP
46. BACKWARD SKIP
47. RANDOM



Free Manuals Download Website

<http://myh66.com>

<http://usermanuals.us>

<http://www.somanuals.com>

<http://www.4manuals.cc>

<http://www.manual-lib.com>

<http://www.404manual.com>

<http://www.luxmanual.com>

<http://aubethermostatmanual.com>

Golf course search by state

<http://golfingnear.com>

Email search by domain

<http://emailbydomain.com>

Auto manuals search

<http://auto.somanuals.com>

TV manuals search

<http://tv.somanuals.com>