



MB-3

MINI-BOUNDARY™ MICROPHONE



The Crown® MB-3 is a miniature boundary microphone for multi-miking applications such as teleconferencing, distance learning, boardrooms, courtrooms, and security applications. This low-profile, circular mic permanently installs into a hole drilled in a table, lectern, or ceiling.

Thanks to its supercardioid pickup pattern, the MB-3 greatly reduces ambient noise and pickup of room reverberation. The result is a clearer, more intelligible sound.

On the bottom of the mic is a tubular power module with a 3-pin XLR-type output connector. It is powered by 12-48V phantom power, and has a low-impedance balanced mic-level output.

How to Paint the Microphone

1. See Fig. 5. Using a small screwdriver, pry open the FRONT side of the mic cover (grille assembly).
2. Remove the foam liner.
3. Wearing a dust mask, spray-paint the grille assembly. Be sure grille holes are not clogged.
4. Allow to completely dry.
5. Make sure the LED is properly aligned.
6. Carefully place the grille assembly over the base, and snap in place.

Installation

Tables: In a table, typical placement for each mic is an arm's length from the user. Install one microphone in front of each person, or one between every two people.

Lecterns: If the microphone will be used on a lectern, install it on an open surface. Do not install in a cavity or recessed area as the frequency response and polar pattern will be degraded.

Ceilings: When mounting mics in the ceiling, use as few mics as possible, and put them in front of the people speaking—not directly overhead.

Note: The system gain-before-feedback may not be adequate in ceiling mount applications because the mic is far from its user.

1. Drill a 1.125-in. (2.858-cm) diameter hole for each mic.
2. Insert the mic tube through the hole. Orient the mic so the word "Crown" is readable by the user.
3. Compression of the gasket under the mic is essential to prevent rotation of the mic. Under the table, or behind the ceiling or wall panel, slide the ring over the tube and tighten the set screw.

Features

- Ideal for teleconferencing, distance learning, boardrooms, courtrooms and security
- Small and inconspicuous
- Installs permanently in a table top, wall or ceiling
- Half-supercardioid polar pattern reduces pickup of background noise, room acoustics and feedback
- On-surface mounting eliminates phase interference from table sound reflections, giving a natural sound

Specifications

Type: Phase Coherent Cardioid.

Element: Electret condenser.

Frequency response (typical): 50 Hz to 15,000 Hz at 30 degrees incidence to surface (see Fig. 1).

Polar pattern: Half-supercardioid (supercardioid in the hemisphere above the primary boundary). See Figs. 2 and 3.

Impedance: 150 ohms, balanced (recommended load impedance 1000 ohms or greater).

Open-circuit sensitivity (typical): 22 mV/Pa* (-33 dB re 1 volt/Pa).

Power sensitivity: -30.5 dB re 1 mW/Pa*. EIA rating -125 dBm.

Equivalent noise level (self-noise): 22 dB SPL typical (0 dB=0.0002 dyne/cm²), A-weighted.

S/N ratio: 72 dB at 94 dB SPL.

Maximum SPL: 120 dB SPL at 3% THD.

Polarity: Positive (inward) pressure on the diaphragm produces positive voltage on pin 2 with respect to pin 3.

Operating voltage: Phantom power, 12-48 volts DC on pins 2 and 3 with respect to pin 1 of output connector.

Current drain: 4 mA nominal.

Connector: 3-pin pro audio, XLR-M type.

Cable: None supplied. Use two-conductor shielded mic cable.

Materials: High-impact molded plastic and steel mesh mic grille, steel chassis.

Finish: Satin black.

Net weight: 2.7 ounces (78 grams).

Dimensions: See Fig. 4.

Optional accessories: PH-1A phantom power supply (1 channel, battery or DC-adaptor powered).

Operating temperature range: -10° to 50° C, or 14° to 122° F.

*1 pascal = 10 dynes/cm² = 10 microbars = 94 dB SPL.

Fig. 1

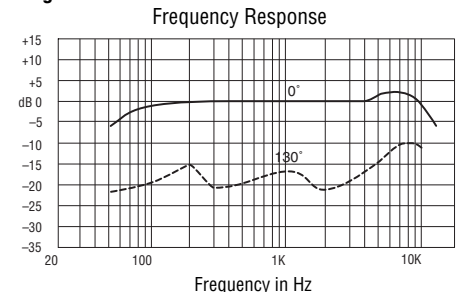


Fig. 2

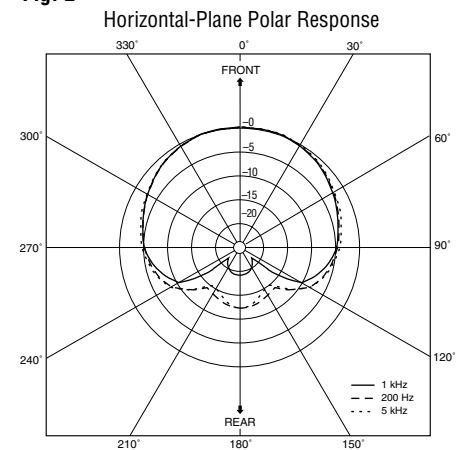
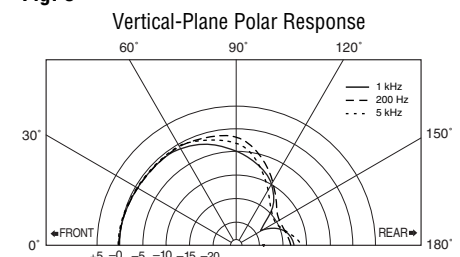


Fig. 3





MB-3

Fig. 4

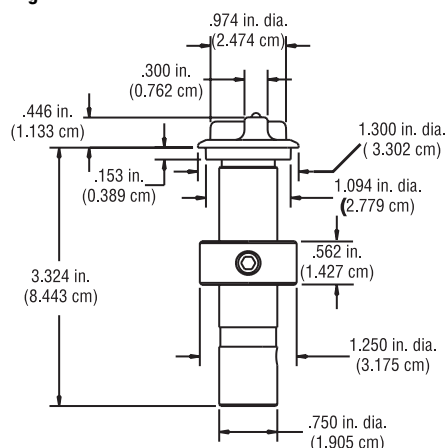
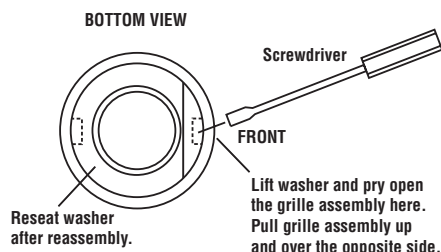


Fig. 5



4. Plug a mic cable with a female 3-pin XLR-type connector into the mic. Connect the other end of the cable to a phantom power supply. Or, if your mixer has phantom power, connect the mic cable directly to a mic input and turn on phantom power.

Application

To obtain the clearest sound, connect each MB-3 to an automatic (gated) microphone mixer. Adjust the automatic mixer so that it turns off all mics except for the one in use. One mic by itself sounds much clearer (less reverberant) than several mics on at once.

For more application help, see the Crown Microphone Application Guide for Teleconferencing and Distance Learning, available online at www.crownaudio.com > Applications > Applications Guides.

Architects' and Engineers' Specifications

The microphone shall be the Crown model MB-3 or equivalent. The microphone shall be a

half-supercardioid electret condenser type. The microphone shall use the principle of phase coherency achieved by mounting a small-diameter element very near a boundary. This eliminates comb filtering in the audible spectrum.

The microphone will exhibit excellent off-axis response and gain-before-feedback. The mic shall have a bottom-mounted 3-pin pro audio XLR-type male connector. Powering shall be by 12-48V phantom power.

Nominal sensitivity shall be 22 mV/Pa. Maximum SPL shall be 120 dB SPL for 3% THD. Equivalent noise shall be 22 dBA nominal. Frequency response shall be 50 Hz to 15 kHz with a uniform off-axis response, about 20 dB down at the rear nulls.

The Crown model MB-3 is specified.

Warranty

Crown professional microphone products are guaranteed against malfunction for a period of three years from date of original purchase. See enclosed warranty sheet for additional information.

Service

If the microphone does not function properly, check that it is aimed correctly and is connected as described in this data sheet. If there is hum or no signal, first repair or replace the cable. A Service Return Authorization (SRA) is required for product being sent to the factory for service. A SRA can be completed on line at www.crownaudio.com/support/factserv.htm. If service is required, return the microphone in its original packaging to: **Crown Factory Service, 1718 West Mishawaka Road, Elkhart, Indiana 46517-9439.**

A Service Return Authorization (SRA) is required for product being sent to the factory for service. An SRA can be completed on line at www.crownaudio.com/support/factserv.htm.

For further assistance or technical support call **800-342-6939.**



A Harman International Company

Crown International
1718 W. Mishawaka Rd.
Elkhart, IN 46517-9439
TEL: 574-294-8000
FAX: 574-294-8FAX
www.crownaudio.com

©2007 Crown Audio® Inc. Specifications subject to change without prior notice. Latest information available at www.crownaudio.com. Mini-Boundary is a trademark, and Crown and Crown Audio are registered trademarks of Crown International. Printed in U.S.A.

Free Manuals Download Website

<http://myh66.com>

<http://usermanuals.us>

<http://www.somanuals.com>

<http://www.4manuals.cc>

<http://www.manual-lib.com>

<http://www.404manual.com>

<http://www.luxmanual.com>

<http://aubethermostatmanual.com>

Golf course search by state

<http://golfingnear.com>

Email search by domain

<http://emailbydomain.com>

Auto manuals search

<http://auto.somanuals.com>

TV manuals search

<http://tv.somanuals.com>