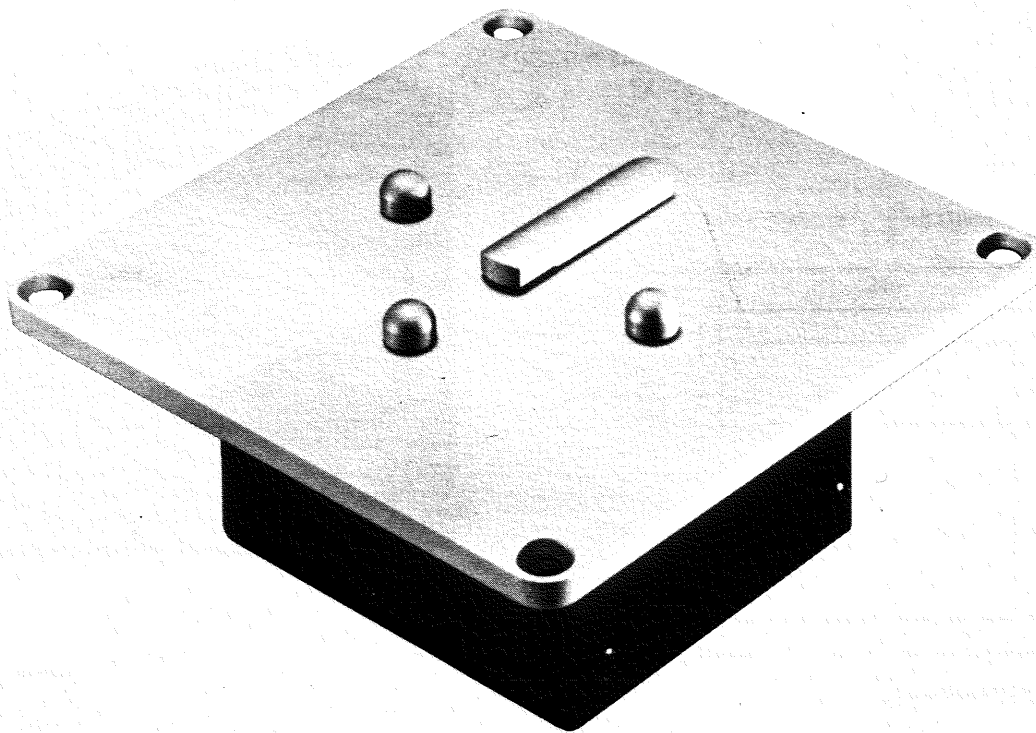




PZM-20RMG PRESSURE ZONE MICROPHONE



PZM-20RMG PRESSURE ZONE MICROPHONE

The Crown PZM-20RMG microphone is intended for permanent installation in pulpits, lecterns, tables, podiums, judicial benches, desks or other furniture. It eliminates the unsightly and obtrusive appearance of conventional microphones and cables. The 20RMG also optimizes the boundary-layer effect, the key to the Pressure Recording Process™ on which the PZM design is based. Low-frequency response is noticeably improved over a free-field mounting, since the table or podium surface becomes a direct extension of the plate.

Unlike conventional microphones, the 20RMG has a hemispherical pick up. This characteristic, together with its unusual reach, offers the opportunity to reduce the number of microphones needed for conference or interview areas. Tables seating up to eight people will usually require only one 20RMG

microphone. The microphone also allows greater freedom of movement on the part of speakers.

The 20RMG includes small projections on the plate which serve as guard-posts to prevent pieces of paper from sliding under the capsule. The sensitivity of the microphone is high enough that covering it with one or two pieces of paper will only faintly attenuate the sound. Large items placed near the mike may tend to shape the pick up area, attenuating pickup from sources behind the obstruction.

The 20RMG fits a 4½ x 4½ cutout with ¼" radial corners. A standard ¼" router can be used to make the recess.

Power supply for the Crown 20RMG is built into the mike chassis and is phantom type only. An active supply is not available for the 20RMG. The mike is supplied with a male XLR connector.

General Specifications

Frequency Response: 50Hz to 15KHz.

Polar Pattern: Hemispherical.

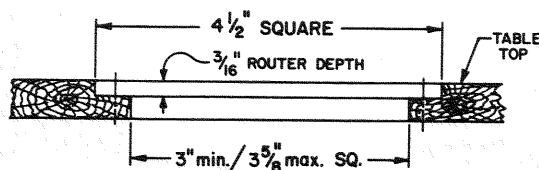
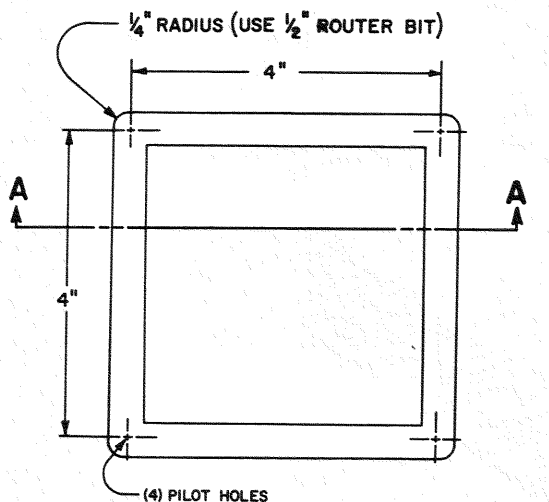
Electrical Impedance: 150 ohm balanced.

Normal Loading Impedance: 1000 ohms.

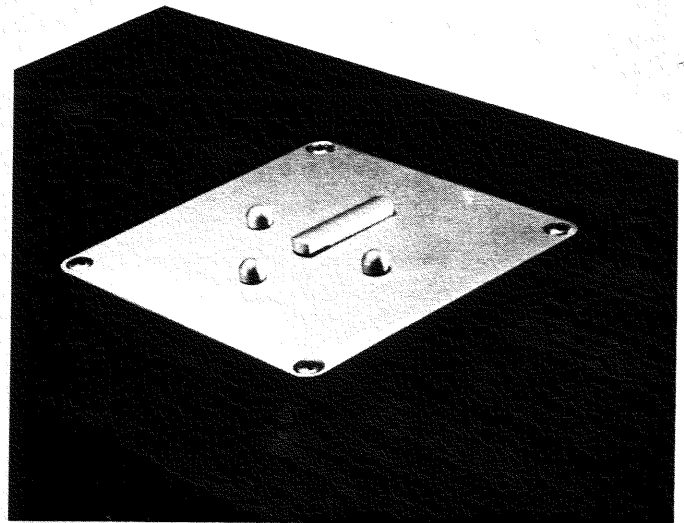
Total Harmonic Distortion: 3% at 150dB-SPL.

Signal To Noise: Less than 26dB-SPL (equivalent acoustic input).

Sensitivity: Open circuit voltage Sv - 76dB, 0dB = 1 volt per microbar, power level SP -53dBm, 0dBm = 1 milliwatt per 10 microbars; EIA rating GM -148dB, 0dB = EIA Standard SE-105 August, 1949.



SECTION **A-A**
PZM-20RMG SUGGESTED MOUNTING



CROWN®

1718 W. Mishawaka Road,
Elkhart, Indiana 46517

Crown . . . when you're
ready for real!

Printed in U.S.A.

Free Manuals Download Website

<http://myh66.com>

<http://usermanuals.us>

<http://www.somanuals.com>

<http://www.4manuals.cc>

<http://www.manual-lib.com>

<http://www.404manual.com>

<http://www.luxmanual.com>

<http://aubethermostatmanual.com>

Golf course search by state

<http://golfingnear.com>

Email search by domain

<http://emailbydomain.com>

Auto manuals search

<http://auto.somanuals.com>

TV manuals search

<http://tv.somanuals.com>