

SST-SX

The Crown SST-SX module is a fourth-order Linkwitz-Riley type crossover with the crossover point switchable to either 80 or 120 Hz. High-frequency (HF) signals are routed to the internal amplifier channels, and low-frequency (LF) signals are summed and routed to the mono output connector. Truly a professional crossover, the SST-SX uses hard-wired precision components that stay at the frequencies you have selected for consistent bandwidth control.

SST (System Solution Topologies) modules install into the back of Crown SST-compatible amplifiers, saving rack space and simplifying system wiring.

For more details about the Crown SST-SX, contact the Crown Technical Support Group at 800-342-6939 or 574-294-8200. Also, visit the Crown Audio website at www.crownaudio.com.

Specifications

Note: Specifications describe typical results using the SST-SX crossover module installed in a Crown SST-compatible amplifier. All measurements are in Stereo mode with 8-ohm loads and an input sensitivity of 26-dB gain at 1-kHz rated power unless otherwise specified. Specifications for units supplied outside the U.S.A. may vary slightly at different AC voltages and frequencies.

Performance

Frequency Response: ± 0.1 dB from 20 Hz to 20 kHz at 1 watt.

Signal to Noise Ratio,

A-Weighted: Better than 105 dB below rated 1-kHz power;

20 Hz to 20 kHz: Better than 100 dB below rated 1-kHz power.

Total Harmonic Distortion (THD): 1-kHz rated power, 1.0% or less true THD from 20 Hz to 20 kHz.

Crosstalk: Better than 50 dB below rated power, 20 Hz to 20 kHz.

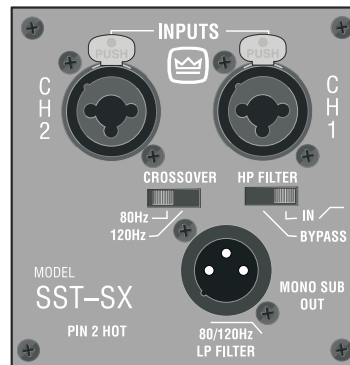
Input/Output

Input Impedance:

Nominally 20 k ohms, balanced. Nominally 10 k ohms, unbalanced.

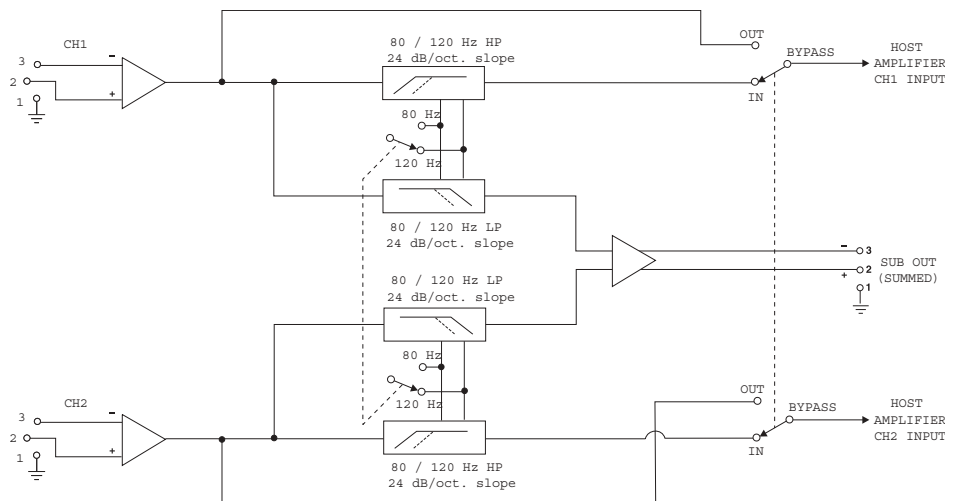
Output Impedance: 600 ohms, balanced.

Maximum Output: +15 dBm into 600 ohms.



Features

- Stereo biamp.
- 24-dB/octave Linkwitz-Riley tuned filters.
- Crossover switchable to either 80 or 120 Hz.
- SST modules install into the back of your amplifier, saving rack space and simplifying system wiring.
- Neutrik® Combo (1/4-inch (6.35-mm) phone and 3-pin XLR) input jacks.
- Male 3-pin XLR Sub Output.
- Optional high-pass filter bypass on amplified outputs adapts system for full-range use.
- SST Modules add flexibility by allowing you to tailor your Crown Contractor (CH/GL) Series or CE Series amplifier to your application.



SST-SX Block Diagram



H A Harman International Company

Crown Audio, Inc.
P.O. Box 1000
Elkhart, IN 46515-1000
TEL: 574-294-8200
FAX: 574-294-8FAX
www.crownaudio.com

Specifications subject to change without prior notice. Latest information available at www.crownaudio.com.

Crown is a registered trademark of Crown International, Inc. Other trademarks are the property of their respective owners. Printed in U.S.A.

© 2003 Crown Audio, Inc.

Crown's Three-Year, No-Fault, Full Warranty

Crown offers a Three-Year, No-Fault, Full Warranty for every new Crown amplifier product—an unsurpassed industry standard. With this unprecedented No-Fault protection, your new Crown amplifier product is warranted to meet or exceed original specifications for the first three years of ownership. During this time, if your unit fails, or does not perform to original specifications, it will be repaired or replaced at our expense. About the only things not covered by this warranty are those losses normally covered by insurance and those caused by intentional abuse. And the coverage is transferable, should you sell your unit.

See your authorized Crown dealer for full warranty disclosure and details. For customers outside of the USA, please contact your authorized Crown distributor for warranty information or call 574-294-8200.

Free Manuals Download Website

<http://myh66.com>

<http://usermanuals.us>

<http://www.somanuals.com>

<http://www.4manuals.cc>

<http://www.manual-lib.com>

<http://www.404manual.com>

<http://www.luxmanual.com>

<http://aubethermostatmanual.com>

Golf course search by state

<http://golfingnear.com>

Email search by domain

<http://emailbydomain.com>

Auto manuals search

<http://auto.somanuals.com>

TV manuals search

<http://tv.somanuals.com>