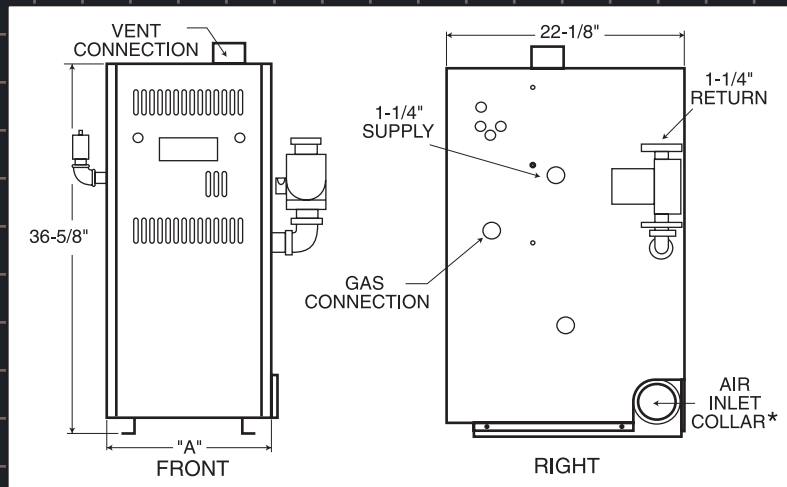


Cabo2

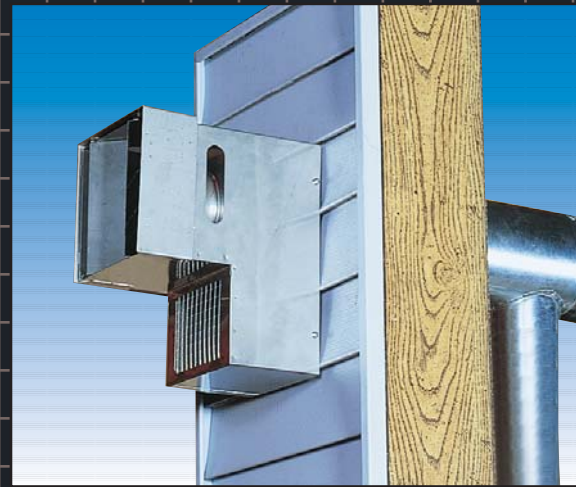
CWD Series

Gas-Fired, Direct Vent Hot Water Boiler

DIMENSIONS (in inches)



CROWN Co-axial Horizontal Vent Terminal



* Air inlet collar located on center rear of CWD193 through CWD245

CWD SERIES SPECIFICATIONS

Model	NO. OF SECS.	AGA INPUT BTU/HR	D.O.E HEATING CAPACITY BTU/HR	IBR NET WATER RATING BTU/HR.	COLLAR DIAMETER		WIDTH A (inches)	AFUE (%)	SHIPPING WEIGHT
					INLET (inches)	EXHAUST (inches)			
CWD060	3	60,000	51,000	44,000	4"	3"	16-1/8	85.1	280
CWD083	4	82,500	71,000	62,000	4"	3"	19-3/4	85.1	315
CWD110	5	110,000	94,000	82,000	4"	3"	23-3/8	85.2	350
CWD138	6	137,500	118,000	103,000	4"	3"	27	85.2	385
CWD165	7	165,000	142,000	123,000	4"	3" or 4"	30-5/8	85.2	420
CWD193	8	192,500	165,000	143,000	4"	3" or 4"	34-1/8	85.2	475
CWD220	9	220,000	189,000	164,000	4"	3" or 4"	32-3/4	85.2	525
CWD245	10	245,000	211,000	183,000	4"	3" or 4"	41-3/8	85.3	580

LOCATING THE BOILER

- Clearances: Sides 1", front 3", rear 1", top 12"
- 6" clearance to air inlet collar when combustion air is supplied from indoors
- Boiler may be installed directly on a non-carpeted combustible floor
- Relief valve may not be moved from factory location

Important: This boiler requires a special venting system. Read instructions carefully before installing.

1. Altitudes above 2,000 ft.—ratings should be reduced at a rate of 4% for each 1,000 ft. above sea level (U.S.A. only), in Canada, boilers are certified for altitudes up to 2,000 feet only.
2. Please specify fuel (natural gas or LPG).
3. Specifications and dimensions are subject to change without notice.



Heat Exchanger constructed and tested in accordance with ASME Section IV standard.

AVAILABLE FROM:

CROWN Boiler Co.

Since 1949, homeowners have depended on us for quality, value and service

3633 I Street, P. O. Box 14818
Philadelphia, PA 19134
Phone: (215) 535-8900 Fax: (215) 535-9736
Visit us on the web: www.crownboiler.com

Cabo2

CWD Series

Gas-Fired, Direct Vent Hot Water Boiler



- Multiple venting options
- Proven reliability
- Advanced safety systems
- Cast iron heat exchanger
- Stainless steel burners
- LED diagnostics
- Two-zone controller
- Eight sizes to 245,000 BTU input
- Lifetime limited warranty

WATER

Cabo2

CWD Series

...ideal for today's homeowner who is looking for a more energy efficient boiler



Energy Star qualified; efficiency exceeds 85% A.F.U.E.

Proven reliability: designed with the benefit of CROWN's years of experience, employing technology proven in service, with the newest in controls to optimize operation.

Powered intake and venting

saves energy dollars by using combustion air from outside, rather than room air you've already paid to heat, and assures that all exhaust gases go directly outside.

System controller provides

two zones, with ability to prioritize the zone connected to a Mega-Stor indirect water heater. **Plug-in outdoor temperature reset control** is an optional feature.

Self diagnostics, with LED indicators, show status of boiler operation. Boiler may be ordered without this control system.

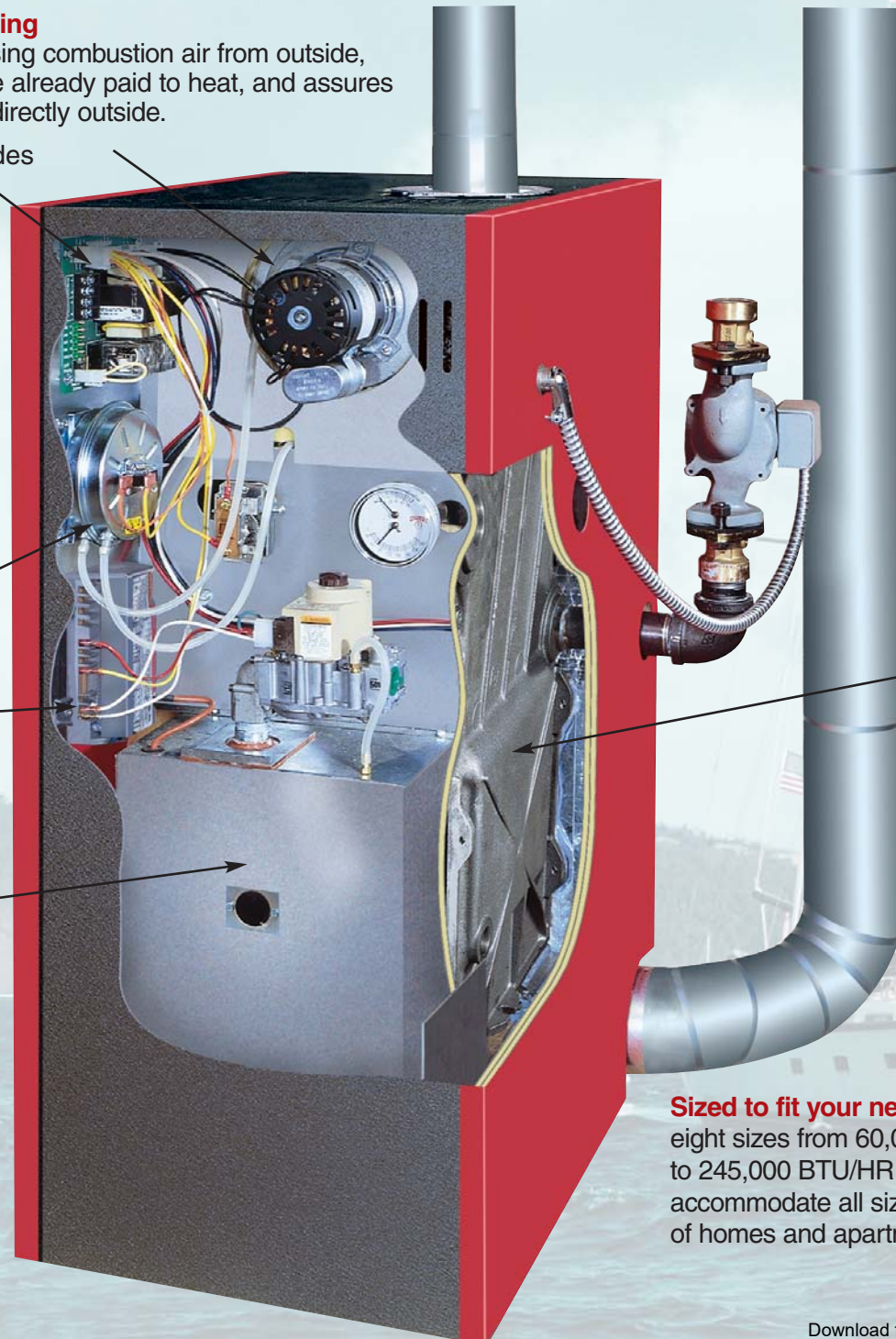
Pressure switch monitors operation of the venting system.

Electronic ignition—Spark-to-pilot ignition saves fuel. Step-opening gas valve provides smoother ignition.

Sealed combustion: isolates the combustion in your boiler from the air in your home.

Stainless steel burners give quiet, trouble-free operation.

Lifetime Limited Warranty on the heat exchanger. (See Warranty for details)



Multiple venting options: through-wall venting for applications where there is no chimney or where existing chimney is old and in need of expensive repairs; horizontal or vertical installation to suit most locations.

Clean look with controls located in a front vestibule for ease of service and flexibility in installing the unit in tight spaces.

Advanced safety systems: designed to assure clean, safe combustion; reduces the possibility of carbon monoxide buildup.

Designed, tested and certified to meet the industry's most rigorous standards of quality, safety and efficiency.

Easy to install: completely factory assembled, wired and tested.

Cast iron, wet-leg heat exchanger provides efficient heat transfer and reliability over a long life.

Multiple location options: can be installed on combustible floors and, with its compact design and wet-leg construction, can also be installed in closets or small areas.

Sized to fit your needs: eight sizes from 60,000 to 245,000 BTU/HR input accommodate all sizes of homes and apartments.

Cabo 2 and Mega-Stor... made for each other



The power of the Cabo 2 and the efficiency of the Mega-Stor indirect water heater

Together, they assure you'll have all the domestic hot water you need, heated with more energy than is ever available with direct fired water heaters. More energy means more hot water.

Mega-Stor means...

- Abundant domestic hot water
- Heated by your high efficiency boiler to save energy dollars
- Adjustable temperature control
- Well insulated to keep water hot for hours
- Removable cap for easy access to tank and coil
- Sizes from 26 to 119 gallons to meet every home and apartment owner's needs
- Lifetime full warranty on stainless steel coil and tank assembly (See Mega-Stor warranty for details)

The advantages of sealed combustion

While the boiler in your home is heating, it requires about a room-full of air per hour for proper combustion. Conventional boilers, installed in older houses or homes that are not well insulated, use room air which is replaced through leaks in the wall or cracks around windows and doors. Room air, however, is air that you have already paid to heat.

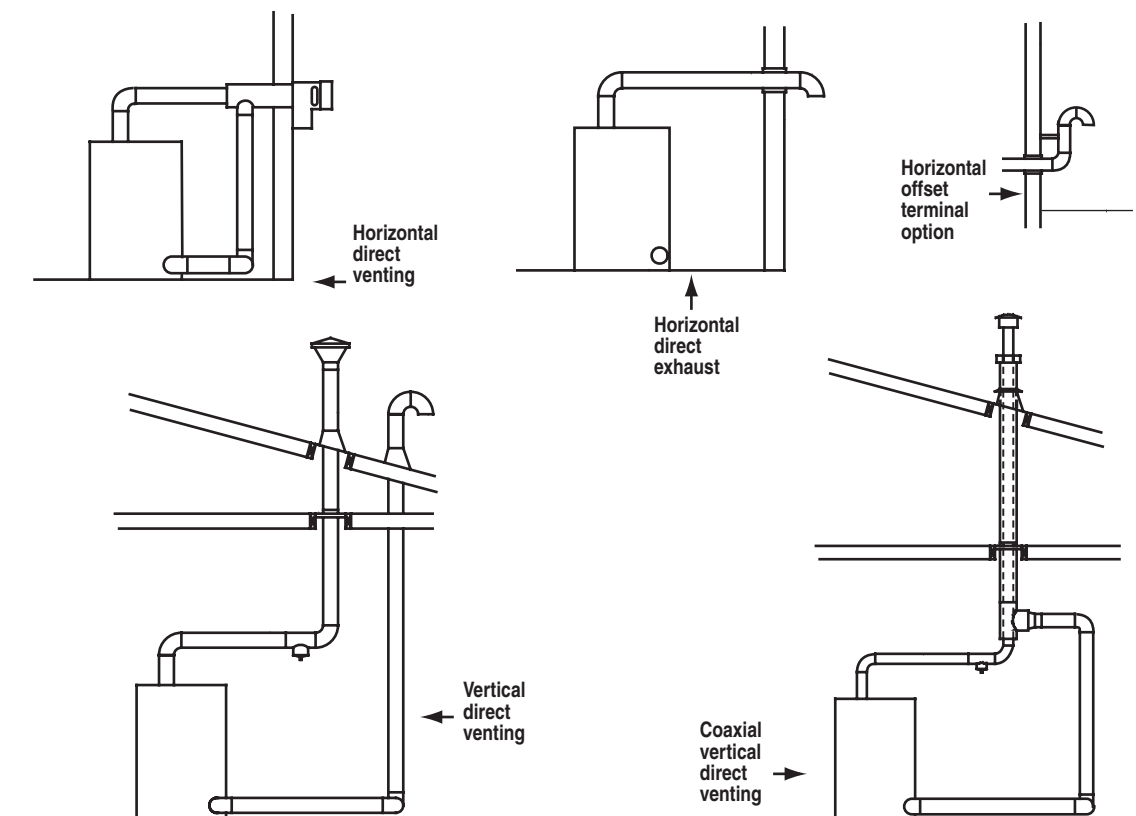
Direct vent "sealed combustion" boilers, in contrast, use a dedicated and sealed, fan-powered system to draw air in from outside the house and to vent the products of combustion directly outside.

Sealed combustion boilers are ideal for new homes which are tightly insulated to conserve energy, as well as for older homes that would like to improve energy efficiency.

Cabo2 offers a variety of venting options

Sealed combustion boilers are designed for through-the-wall venting where a chimney is not available or when a chimney becomes unusable. Cabo2 is designed for direct venting but can be utilized as a conventional induced draft boiler, and provides for venting options in both applications.

CROWN offers coaxial vent terminal kits for both horizontal and vertical venting. Consult our installation manual for specific venting requirements.



Free Manuals Download Website

<http://myh66.com>

<http://usermanuals.us>

<http://www.somanuals.com>

<http://www.4manuals.cc>

<http://www.manual-lib.com>

<http://www.404manual.com>

<http://www.luxmanual.com>

<http://aubethermostatmanual.com>

Golf course search by state

<http://golfingnear.com>

Email search by domain

<http://emailbydomain.com>

Auto manuals search

<http://auto.somanuals.com>

TV manuals search

<http://tv.somanuals.com>