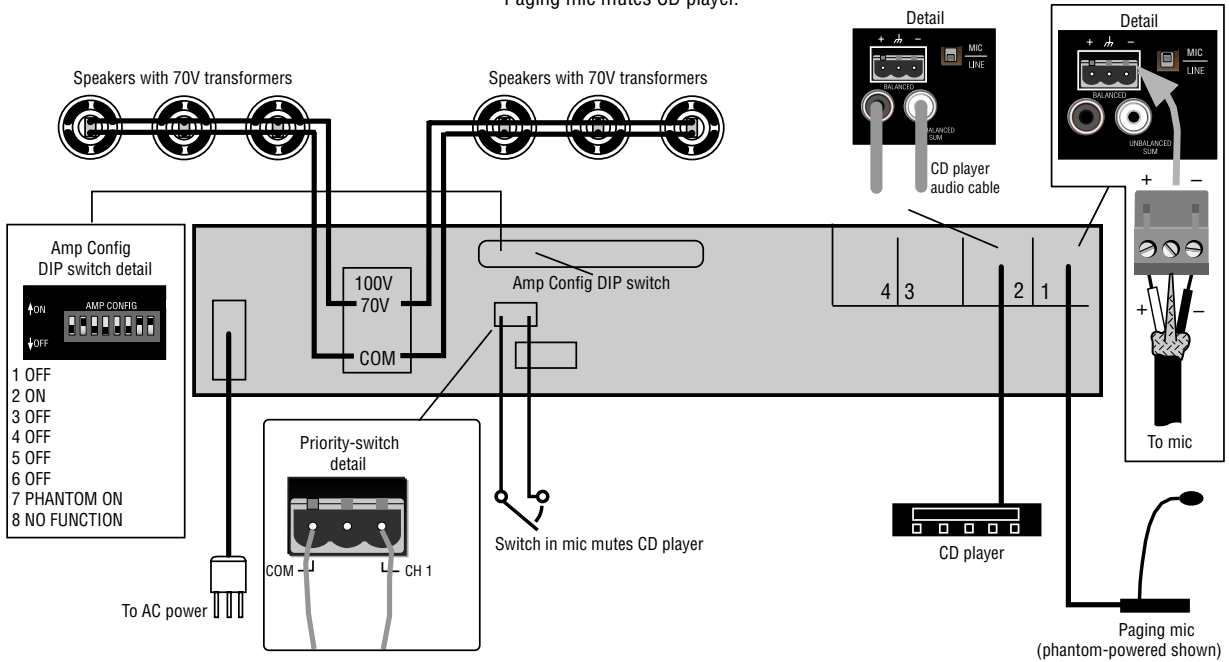


CROWN® COMMERCIAL AUDIO SERIES MIXER-AMPLIFIER QUICK-START GUIDE

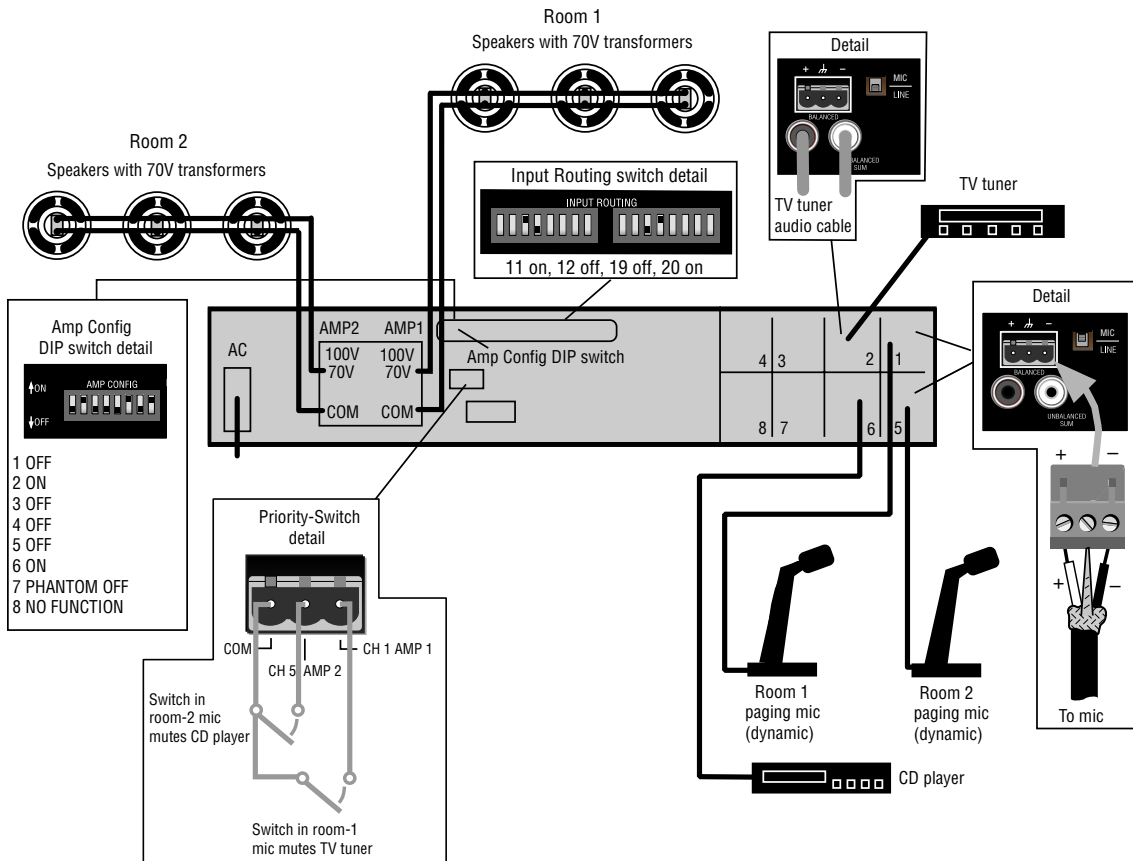
ONE ROOM WITH A PAGING MICROPHONE using 180MA or 1160MA

Paging mic mutes CD player.



TWO ROOMS WITH INDEPENDENT PAGING using 280MA

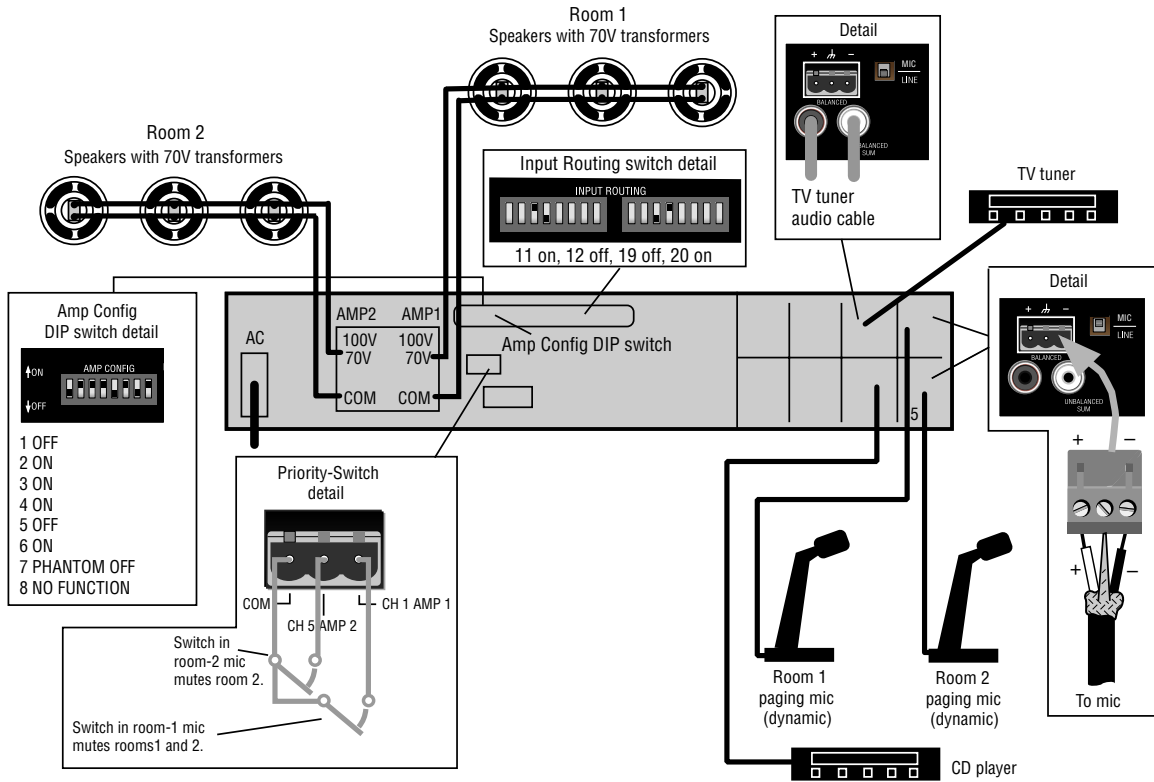
Mic 1 mutes room-1 TV tuner. Mic 2 mutes room-2 CD player.



(OVER)

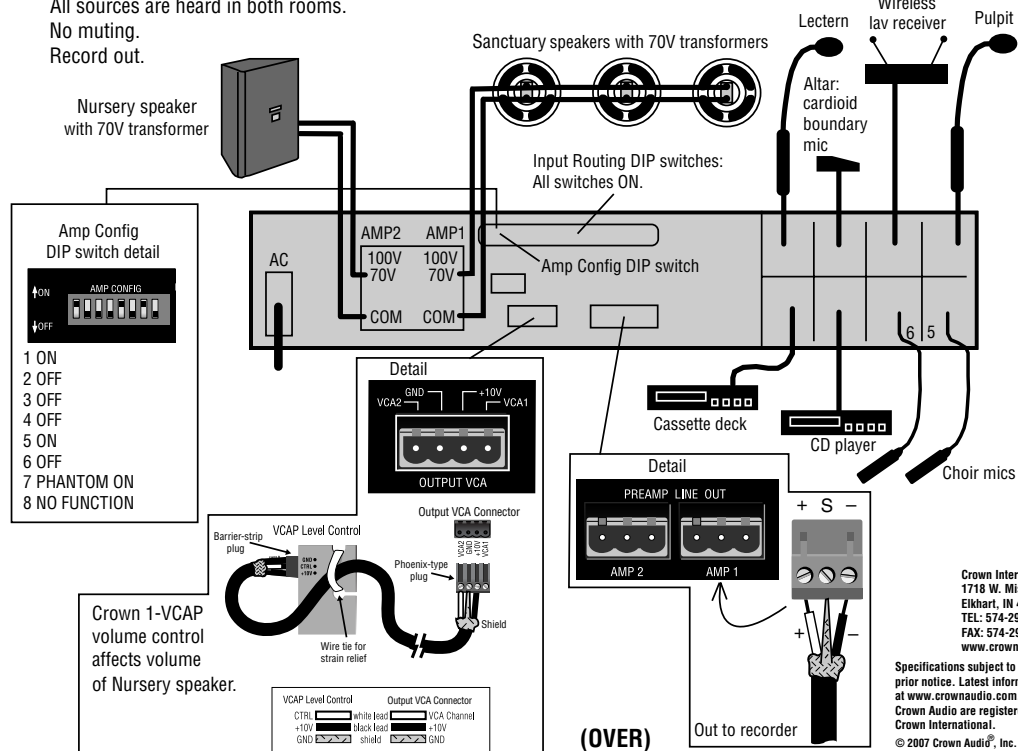
CROWN COMMERCIAL AUDIO SERIES MIXER-AMPLIFIER QUICK-START GUIDE

TWO ROOMS WITH INDEPENDENT PAGING using 280MA ROOM-1 MIC MUTES BOTH ROOMS



SAMPLE APPLICATION HOUSE OF WORSHIP — SANCTUARY AND NURSERY using 280MA

Crown 1-VCAP volume control affects volume of Nursery speaker.
All sources are heard in both rooms.
No muting.
Record out.



Crown International
1718 W. Mishawaka Rd.
Elkhart, IN 46517-9439
TEL: 574-294-8200
FAX: 574-294-8848
www.crownaudio.com

Specifications subject to change without prior notice. Latest information available at www.crownaudio.com. Crown and Crown Audio are registered trademarks of Crown International.

© 2007 Crown Audio®, Inc. 12/07 137784-3

Free Manuals Download Website

<http://myh66.com>

<http://usermanuals.us>

<http://www.somanuals.com>

<http://www.4manuals.cc>

<http://www.manual-lib.com>

<http://www.404manual.com>

<http://www.luxmanual.com>

<http://aubethermostatmanual.com>

Golf course search by state

<http://golfingnear.com>

Email search by domain

<http://emailbydomain.com>

Auto manuals search

<http://auto.somanuals.com>

TV manuals search

<http://tv.somanuals.com>