

CROWN

Specifications

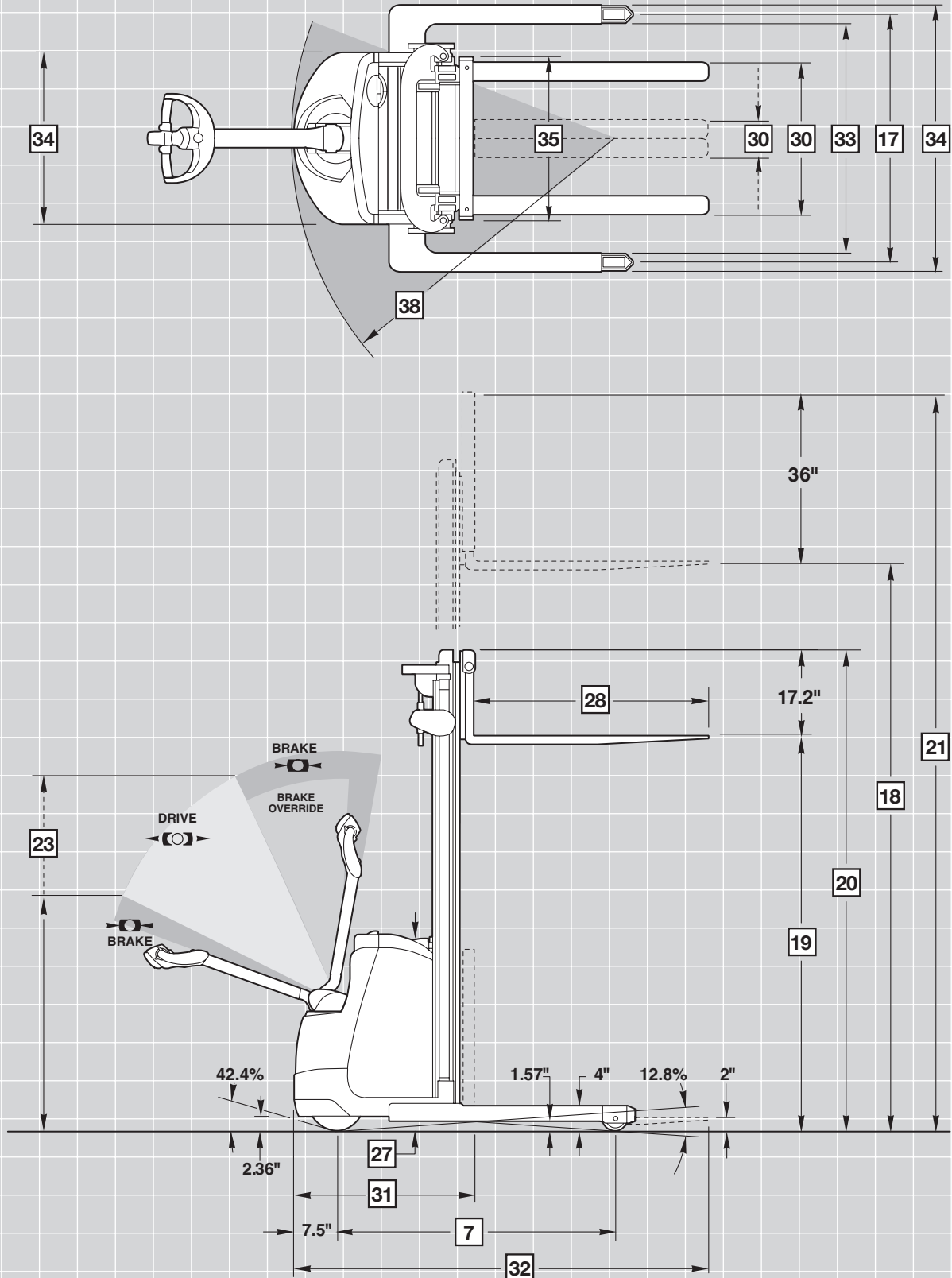
**ST 3000 Series
SX 3000 Series**

Stackers

ST/SX 3000

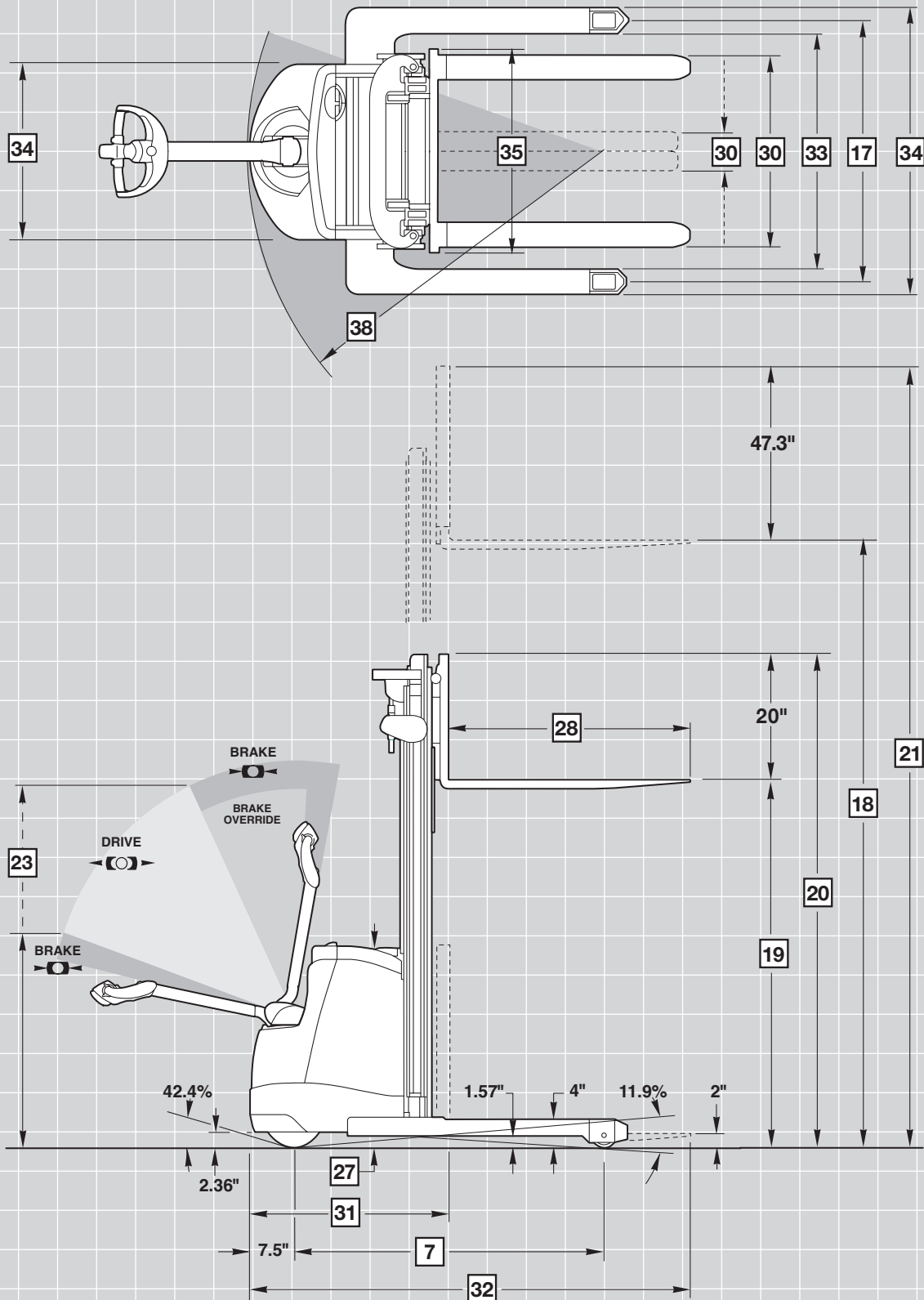
Series





General Information		Crown Equipment Corporation				
1	Manufacturer					
2	Model		ST 3000N-20	ST 3000-20	ST 3000-20	
	Mast Type	in (mm)	TL-128 (3236)	TL-128 (3236)	TT-154 (3912) TT-168 (4267)	
3	Power				Electric	
4	Operator Type				Walkie	
5	Load Capacity	Max			2000 (907)	
6	Load Center				24 (600)	
7	Wheelbase				49 (1255)	
8	Weight Less Battery		1775 (805)	1828 (829)	2004 (909) 2004 (909)	
Tires	13 Wheel Size Front (d x w)	Vulkollan	in (mm)		10 x 3.35 (254 x 85)	
		Rubber	in (mm)		10 x 4 (254 x 100)	
	14 Wheel Size Rear (d x w)	Vulkollan	in (mm)		4 x 2 (102 x 50)	
		Steel	in (mm)		4 x 2 (102 x 50)	
	15 Additional Wheels Caster Wheel (d x w)	Poly	in (mm)		3.54 x 2 (90 x 50)	
16 Wheels Number (x=driven)	Front/Rear				1x / 2	
17 Track Width	Rear	in (mm)			Inside Straddle + 3 (76)	
18 Lift Height		in (mm)	127.4 (3236)	127.4 (3236)	154 (3912) 168 (4267)	
18a Capacity at Lift Height	24" Load Center	lb (kg)	2000 (907)	2000 (907)	2000 (907) 2000 (907)	
	26" Load Center	lb (kg)	1850 (840)	1850 (840)	1850 (840) 1850 (840)	
	28" Load Center	lb (kg)	1720 (780)	1720 (780)	1720 (780) 1720 (780)	
	30" Load Center	lb (kg)	1600 (725)	1600 (725)	1600 (725) 1600 (725)	
19 Free Lift	w/o Load Backrest	in (mm)	6 (152)	6 (152)	56 (1422) 56 (1422)	
20 Collapsed Height		in (mm)	83 (2108)	83 (2108)	73 (1858) 73 (1858)	
21 Extended Height	w/o Load Backrest	in (mm)			Lift Height + 17.2 (436)	
	w/Load Backrest	in (mm)			Lift Height + 36 (914)	
22 Load Backrest Width	Load Backrest Height 36" (914) High	in (mm)			36 (914) / 42 (1067) / 48 (1219)	
23 Tiller Arm Ht in Drive Position	Min/Max	in (mm)			31.1 (790) / 47.5 (1206)	
24 Outrigger Height		in (mm)			4 (100)	
25 Lowered Fork Height		in (mm)			2 (51)	
27 Power Unit Height		in (mm)			32.28 (820)	
28 Fork Lengths		in (mm)			36 (914) / 42 (1067) / 48 (1219)	
29 Fork Dimensions	Thickness x Width	in (mm)			1.5 x 3 (38 x 76)	
30 Width Across Forks	Adjustable Min/Max	in (mm)			6.57 - 24.8 (167 - 630)	
31 Headlength		in (mm)	32.24 (819)	32.24 (819)	32.95 (837) 32.95 (837)	
32 Overall Length					Headlength + Fork Length	
33 Inside Straddle		in (mm)	29.3-36 (744-914)	38-50 (965-1270)	38-50 (965-1270) 38-50 (965-1270)	
34 Overall Width	Front	in (mm)			28.03 (712)	
	Rear	in (mm)			Inside Straddle + 6 (152)	
35 Fork Carriage Width		in (mm)			26.57 (675)	
36 Ground Clearance	w/Load below Mast	in (mm)			1.57 (40)	
37	Center Wheelbase	in (mm)			1.57 (40)	
38 Turning Radius		in (mm)			56.73 (1446)	
39 Length w/Outriggers		in (mm)			60.28 (1536)	
Performance	40 Travel Speed	w/wo Load	mph (km/h)		3.11 / 3.42 (5.0 / 5.5)	
	41 Lift Speed	w/wo Load	fpm (m/s)		25.59 / 39.37 (.13 / .20)	
	42 Lowering Speed 1	w/wo Load	fpm (m/s)			49.21 / 49.21 (.25 / .25)
		w/wo Load	fpm (m/s)			19.69 / 11.81 (.10 / .06)
	43 Gradeability	w/wo Load, 60 min Rating	%			2.4 / 4.5
		w/wo Load, 30 min Rating	%			4.9 / 9.1
	44 Max Gradeability	w/wo Load, 5 min Rating	%			8.4 / 15.7
45 Service Brake					Electric	
Battery	46 Maximum Battery Box	L x W x H	in (mm)		7.28 x 25.55 x 24.13 (185 x 649 x 613) (w/No Clearance)	
	47 Battery Voltage (Nominal Capacity 6 Hour Rating)	4x Automotive Starter	V/Ah		24 / 87	
		2x 12v MF	V/Ah		24 / 95	
		4x Semi-industrial	V/Ah		24 / 156	
		4x 6v MF	V/Ah		24 / 195	
	48 Type of Controller	Drive				Transistor
49 Battery Weight	4x Automotive Starter	lb (kg)			128 (58)	
	2x 12v MF	lb (kg)			132 (60)	
	4x Semi-industrial	lb (kg)			220 (100)	
	4x 6v MF	lb (kg)			267 (121)	

English conversions are approximations. Metric conversions should be done to find true values.



SX 3000 Series

Specifications

		Crown Equipment Corporation		
General Information	1	Manufacturer		
	2	Model		SX 3000-30 SX 3000-30 SX 3000-30
		Mast Type	in (mm)	TL-128 (3236) TT-154 (3912) TT-168 (4267)
	3	Power		Electric
	4	Operator Type		Walkie
	5	Load Capacity	Max lb (kg)	3000 (1361)
	6	Load Center	in (mm)	24 (600)
	7	Wheelbase	in (mm)	53.6 (1362)
	8	Weight Less Battery	Auxiliary lb (kg)	2247 (1019) 2423 (1099) 2423 (1099)
			No Auxiliary lb (kg)	2143 (972) 2319 (1052) 2319 (1052)
Tires	13	Wheel Size Front (d x w)	Vulkollan in (mm) Rubber in (mm)	10 x 3.35 (254 x 85) 10 x 4 (254 x 100)
	14	Wheel Size Rear (d x w)	Vulkollan in (mm)	4 x 3 (102 x 73)
	15	Additional Wheels Caster Wheel (d x w)	Poly in (mm)	3.54 x 2 (90 x 50)
	16	Wheels Number (x=driven)	Front/Rear	1x / 2
	17	Track Width	Rear in (mm)	Inside Straddle + 4 (102)
Dimensions	18	Lift Height	in (mm)	127.4 (3236) 154 (3912) 168 (4267)
	18a	Capacity at Lift Height**	24" Load Center lb (kg)	3000 (1361) 3000 (1361) 2500 (1134)
			26" Load Center lb (kg)	2700 (1225) 2700 (1225) 2200 (998)
			28" Load Center lb (kg)	2500 (1134) 2500 (1134) 2000 (907)
			30" Load Center lb (kg)	2250 (1020) 2250 (1020) 1750 (795)
	19	Free Lift	w/o Load Backrest in (mm)	6 (152) 53 (1347) 53 (1347)
	20	Collapsed Height	in (mm)	83 (2108) 73 (1858) 73 (1858)
	21	Extended Height	w/o Load Backrest in (mm)	Lift Height + 20 (510)
			w/Load Backrest in (mm)	Lift Height + 47.3 (1202)
	22	Load Backrest Size	in (mm)	47.3 (1202) H x 32.7 (832) W
	23	Tiller Arm Ht in Drive Position	Min/Max in (mm)	31.1 (790) / 47.5 (1206)
	24	Outrigger Height	in (mm)	4 (100)
	25	Lowered Fork Height	in (mm)	2 (50)
	27	Power Unit Height	in (mm)	32.28 (820)
	28	Fork Lengths	in (mm)	36 (914) / 42 (1067) / 48 (1219)
	29	Fork Dimensions	Thickness x Width in (mm)	1.5 x 4 (38 x 102)
	30	Width Across Forks	Adjustable Min/Max in (mm)	10 - 30.93 (253.6 - 785.6)
	31	Headlength*	in (mm)	34.02* (869*) 34.72* (887*) 34.72* (887*)
	32	Overall Length		Headlength + Fork Length
	33	Inside Straddle	in (mm)	38-50 (965-1270)
34	Overall Width	Front in (mm)	28.03 (712)	
		Rear in (mm)	Inside Straddle + 8 (204)	
35	Fork Carriage Width	in (mm)	31.89 (810)	
36	Ground Clearance	w/Load below Mast in (mm)	1.57 (40)	
37		Center Wheelbase in (mm)	1.57 (40)	
38	Turning Radius	in (mm)	61.14 (1553)	
Performance	39	Length with Outriggers	in (mm)	65 (1651)
	40	Travel Speed	w/wo Load mph (km/h)	3.42 / 3.73 (5.5 / 6.0)
	41	Lift Speed	w/wo Load fpm (m/s)	31.50 / 49.21 (.16 / .25)
	42	Lowering Speed 1	w/wo Load fpm (m/s)	51.18 / 41.34 (.26 / .21)
	42	Lowering Speed 2	w/wo Load fpm (m/s)	11.81 / 5.91 (.06 / .03)
	43	Gradeability	w/wo Load, 60 min Rating %	2.6 / 5.2
			w/wo Load, 30 min Rating %	4.4 / 8.7
	44	Max Gradeability	w/wo Load, 5 min Rating %	9.5 / 19.4
45	Service Brake		Electric	
Battery	46	Maximum Battery Box	L x W x H in (mm)	9.1 x 26.4 x 23.62 (230 x 670 x 600) (w/No Clearance)
	47	Battery Voltage (Nominal Capacity 6 Hour Rating)	4x 6v MF V/Ah	24 / 195
			300 Industrial V/Ah	24 / 300
	48	Type of Controller	Drive	Transistor
49	Battery Weight	4x 6v MF lb (kg)	267 (121)	
		300 amp hour Industrial lb (kg)	360-710 (163-322)	

* Add 2.24" (57 mm) for Sideshift Option.

**Deduct 300 lb for Sideshift Option.

English conversions are approximations. Metric conversions should be done to find true values.

Standard Equipment

1. 24 volt fused electrical system
2. MOSFET transistorized traction control system
3. Separately excited drive motor (SEM)
4. Wet-cell starter battery pack, four 6-volt batteries at 87 amp hour (ST)
5. Maintenance-free battery pack, four 6-volt batteries at 195 amp hour (SX)
6. 30 amp fully automatic charger
7. Electric brake
8. Brake override
9. Anti-roll down
10. Regenerative motor braking
11. Heavy-duty drive unit
12. Drive unit enclosed in high ductile strength steel frame
13. Stamped steel power unit cover
14. Safety reversing button
15. 175 amp connector with disconnect handle
16. Color-coded wiring
17. High speed cut-out at lift height
18. Two pre-programmed performance levels
19. 10" x 3.35" wide Vulkollan drive tire
20. Vulkollan load wheels
4" x 2" wide (ST)
4" x 3" wide (SX)

21. Adjustable outriggers
22. Battery compartment storage tray
23. Plexiglas mast guard
24. One-speed lift, two-speed lower – soft start hydraulics (SX only)
25. Horn
26. Key switch
27. Discharge indicator with hour meter and lift lockout
28. Hydraulic thermal protection switch (SX only)

Optional Equipment

1. Rubber drive tire
2. Non-marking rubber drive tire
3. Diamond siped rubber drive tire
4. Spring loaded poly casters
5. Handset analyzer for calibration or fault analyzing
6. 36" high load backrest (ST), 48" high load backrest (SX)
7. Maintenance-free, semi-industrial or starter battery package (ST)
9. Freezer/corrosion conditioning (SX only)
10. Keyless on/off toggle switch in lieu of key switch
11. Steel load wheels (ST only)
12. Wire mesh mast guard
13. Sideshift (SX only)

14. Soft start hydraulic control (ST only)
15. Work Assist™ Accessories:
 - Clip pad and hook
 - Operator fan
 - Storage pocket
 - Remote raise/lower control
16. Work Assist Options:
 - Load backrest tray
 - Work platform
 Platform options:
 - Work lights
 - Operator fan
 - Clip pad and hook
 - Adjustable load tray
 - Remote raise/lower control
 - Casters
 - Snap-on platform (ST only)

- Semi-industrial deep cycle battery pack, four 6-volt batteries at 156 amp hour
- Wet-cell starter battery pack, four 6-volt batteries at 87 amp hour

Flooded battery packs have a slide-out feature to check water level of bottom batteries.

SX 3000-20

Battery options are as follows:

- Maintenance-free battery pack, four 6-volt batteries at 195 amp hour
- Industrial battery - The 9.1" battery compartment will accept an industrial storage battery up to 300 amp hour capacity.

A built-in 30-amp charger is standard with all battery packs. This premium fan-cooled, solid-state charger is durable and efficient. It has an advanced memory feature to allow for opportunity charging. The charger can be set for either maintenance free, wet cell or industrial batteries. An extension cord is included with any truck equipped with the built-in battery charger.

Battery and Charger

ST 3000-20

Battery package options are as follows:

- Maintenance-free battery pack, two 12-volt batteries at 95 amp hour
- four 6-volt batteries at 195 amp hour

ST/SX 3000 Series

Aisle Planning Guide

ST 3000 – Right Angle and Intersecting Aisle

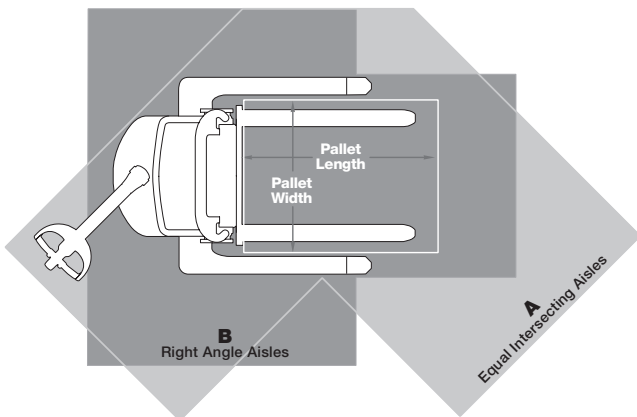
Pallet Width		Pallet Length									
		30		36		40		42		48	
		A	B	A	B	A	B	A	B	A	B
36	in	57.6	62.9	57.6	62.9	57.6	62.9	57.6	62.9	57.6	68.4
	mm	1463	1599	1463	1599	1463	1599	1463	1599	1463	1738
40	in	60.9	64.0	60.9	64.0	60.9	64.0	60.9	64.0	60.9	68.6
	mm	1546	1625	1546	1625	1546	1625	1546	1625	1546	1625
42	in	62.5	64.5	62.5	64.5	62.5	64.5	62.5	64.5	62.5	68.7
	mm	1588	1638	1588	1638	1588	1638	1588	1638	1588	1746
48	in	67.5	69.0	67.5	69.0	67.5	69.0	67.5	69.0	67.5	72.0
	mm	1715	1752	1715	1752	1715	1752	1715	1752	1715	1829

Add 6" to all aisle dimensions for maximum maneuverability.

SX 3000 – Right Angle and Intersecting Aisle

Pallet Width		Pallet Length									
		30		36		40		42		48	
		A	B	A	B	A	B	A	B	A	B
36	in	61.2	67.1	61.2	67.1	61.2	67.1	61.2	67.1	61.2	67.8
	mm	1554	1704	1554	1704	1554	1704	1554	1704	1554	1722
40	in	64.5	68.1	64.5	68.1	64.5	68.1	64.5	68.1	64.5	68.1
	mm	1638	1730	1638	1730	1638	1730	1638	1730	1638	1730
42	in	66.1	68.6	66.1	68.6	66.1	68.6	66.1	68.6	66.1	68.6
	mm	1680	1743	1680	1743	1680	1743	1680	1743	1680	1743
48	in	71.1	72.9	71.1	72.9	71.1	72.9	71.1	72.9	71.1	72.9
	mm	1807	1851	1807	1851	1807	1851	1807	1851	1807	1851

Add 6" to all aisle dimensions for maximum maneuverability.
Add 2" if sideshift option is used.



Operator Controls

The control hand grips are urethane covered for insulation from cold and vibration. Full function control handle includes travel direction, raise, lower and reversing switch.

The physical efforts to hold the handle at a comfortable height was minimized to reduce fatigue a distinct advantage. The operator is positioned to maximize the steer effort and maintain excellent visibility.

The rabbit/turtle switch incorporates two levels of programmable travel performance to match operator experience and application environment.

Exclusive brake override allows slow speed travel with the handle near vertical. This feature improves maneuverability in tight areas.

Performance

The ST/SX 3000 Series benefits from Crown's design and engineering excellence.

The transistor control module works in conjunction with a new separately excited (SEM) drive motor to provide excellent acceleration and top travel speed loaded or empty. Transistor control is programmable for specific tasks or operator skill levels.

Smooth travel and lift combine with excellent controls to reduce product damage and increase productivity.

Electrical System

A heavy-duty 24-volt fused electrical system provides good travel and lift speeds.

Separately excited motor control eliminates directional contactors reducing maintenance and downtime.

The transistor control is sealed from dirt, dust and moisture for trouble-free operation. Transistor control features include over-temperature protection, polarity protection, self-test and visible diagnostics.

Regenerative motor braking is activated under a downhill condition, during plugging or when the directional control is returned to neutral. "Regen" reduces heat build-up and extends motor brush life.

An anti-roll down feature will apply the brakes if the truck rolls without a travel command.

175-amp battery connector with standard disconnect handle.

Hydraulic System

Heavy-duty hydraulic motor (ST-2.2 kw, SX-3.0 kw) with integral pump and reservoir for maximum efficiency and durability.

Single-speed lift and two-speed lowering is available to the operator.

Cylinder rods are hard-plated chrome with polyurethane seals.

Relief valve tuned to capacity protects all components in the hydraulic system.

Drive Unit and Brakes

Heavy-duty gearbox with spur gears for low noise emission.

Drive unit is equipped with an electromagnetic disc brake that is spring applied and electrically released. Brake is activated by the control handle position. Brake rotor and disc are easily accessed for inspection and replacement. Regenerative motor braking assists brake effort and improves component life.

Drive unit mounts in truck frame with a permanently lubricated, twin-conical roller bearing that disperses load forces evenly, reducing maintenance and downtime.

Mast

High visibility two- and three-stage mast design features nested I-beams and canted rollers. Lift cylinders are positioned in outer I-beam profile for best visibility through the mast and clear view onto fork tips during load handling. Mast cushioning between stages ensures smooth operation. Heavy-duty mast and chain rollers are sealed and lubricated for life. Mast design allows for easy access to carriage rollers.

Fork Carriage

ST 3000 Series feature 25" wide pin-type fork carriage. Forks are adjustable from 6.5" to 24.8". Standard fork lengths are 36", 42" and 48".

SX 3000 Series feature a standard 32" wide ITA Class II fork carriage. Forks are adjustable from 10" to 31". Standard fork lengths are 36", 42" and 48".

Serviceability

One-piece steel power unit cover is removed easily for access to all major components.

Brake rotor and disc inspection and replacement are easy.

Drive motor brush access is excellent.

Color-coded wiring speeds troubleshooting and the transistor control module uses visible LED flashes for fault communication. Optional plug-in hand set analyzer for servicing and programming capability.

Control handle switch cap is easily removed to expose components.

Wheels and Tires

- Drive tire – Vulkollan 10" dia x 3.35" wide
- Load wheels – Vulkollan 4" dia x 2" wide (ST) 4" dia x 3" wide (SX)
- Optional poly casters are 3.5" dia x 2" wide

Other Options

1. Audible travel alarm
2. Flashing lights

Safety considerations and dangers associated with audible travel alarms and flashing lights include:

- Multiple alarms and/or lights can cause confusion.
- Workers ignore the alarms and/or lights after day-in and day-out exposure.
- Operator may transfer the responsibility for "looking out" to the pedestrians.
- Annoys operators and pedestrians.

Other Options Available

Contact your local Crown dealer.

Dimensions and performance data given may vary due to manufacturing tolerances. Performance is based on an average size vehicle and is affected by weight, condition of truck, how it is equipped and the conditions of the operating area. Crown products and specifications are subject to change without notice.



Crown Equipment Corporation
New Bremen, Ohio 45869 USA
Tel 419-629-2311
Fax 419-629-3796
crown.com

Because Crown is continually improving its products,
specifications are subject to change without notice.

Crown, the Momentum symbol and Work Assist are
trademarks of Crown Equipment Corporation.

Copyright 2004 Crown Equipment Corporation
SF14388 5/04
Printed in U.S.A.

Free Manuals Download Website

<http://myh66.com>

<http://usermanuals.us>

<http://www.somanuals.com>

<http://www.4manuals.cc>

<http://www.manual-lib.com>

<http://www.404manual.com>

<http://www.luxmanual.com>

<http://aubethermostatmanual.com>

Golf course search by state

<http://golfingnear.com>

Email search by domain

<http://emailbydomain.com>

Auto manuals search

<http://auto.somanuals.com>

TV manuals search

<http://tv.somanuals.com>