

## ELECTRIC TRI-LEG KETTLE

# E



### SPECIFICATIONS:

Shall be a CROWN Model \_\_\_\_\_, self-generating, electric, tri-leg kettle. A double wall kettle interior shall form a steam jacket around the lower 2/3 of the kettle. The jacket enclosure shall contain distilled water which is factory sealed. The bottom of the kettle shall be of hemispherical design for superior heat circulation. Kettle will be mounted on 3 stainless steel tubular legs fitted with a 4-hole adjustable foot for securing unit to the floor.

Construction shall be all welded #4 finish stainless steel type 304.

The controls shall include a power switch, thermostat, pilot light, low water light, vacuum/pressure gauge, safety valve, and low water shut off.

All kettles shall be standard with removable elements.

The kettle shall operate in a temperature range of 100°F to 290°F (38°C to 144°C) at a maximum pressure of 50 psi (345kPa).

Convenience features shall include a counterbalanced hinged stainless steel cover and a 2" (50mm) sanitary draw off valve.

Model	Capacity	
EL-20	20 Gallon	76 Litre
EL-30	30 Gallon	114 Litre
EL-40	40 Gallon	151 Litre
EL-60	60 Gallon	227 Litre
EL-80	80 Gallon	303 Litre
EL-100	100 Gallon	379 Litre

### OPERATION SHALL BE BY:

Electrically, self-generating closed steam system equipped for operation on:

- 208 VAC, 3 Phase, 50/60 Hz
- 208 VAC, 1 Phase, 50/60 Hz\*
- 240 VAC, 3 Phase, 50/60 Hz
- 240 VAC, 1 Phase, 50/60 Hz\*

### OPTIONAL ITEMS AT EXTRA COST:

- Type 316 stainless steel liner for high acid content products
- 3" (76mm) draw off valve
- 2" (50mm) dairy valve
- 3" (76mm) dairy valve
- 24 kw on 40, 60, 80 gallon
- 33 kw on 60, 80, 100 gallon
- 220 VAC, 1 Phase, 50/60 Hz\*
- 220 VAC, 3 Phase, 50/60 Hz
- 380 VAC, 3 Phase, 50/60 Hz
- 415 VAC, 3 Phase, 50/60 Hz
- 480 VAC, 3 Phase, 50/60 Hz
- 220/380 VAC, 3 Phase, 4 wire
- 240/415 VAC, 3 Phase, 4 wire
- Two piece hinged stainless steel cover
- Etched gallon markings
- Etched litre markings
- Double pantry faucet with swing spout
- Single pantry faucet with swing spout
- Spring assist hinged cover
- Correctional package

\*20 and 30 gallon only


### ACCESSORIES:

- Triple basket assembly
- Perforated strainer for draw off valve
- Solid stainless steel disc for draw off valve
- Graduated measuring strip
- Strainer hook
- Calibrated thermostat dial "C"
- Calibrated thermostat dial "F"



# CROWN DETAILS AND DIMENSIONS

## SERVICE CONNECTIONS

 – Electrical connection to be as specified on data plate.

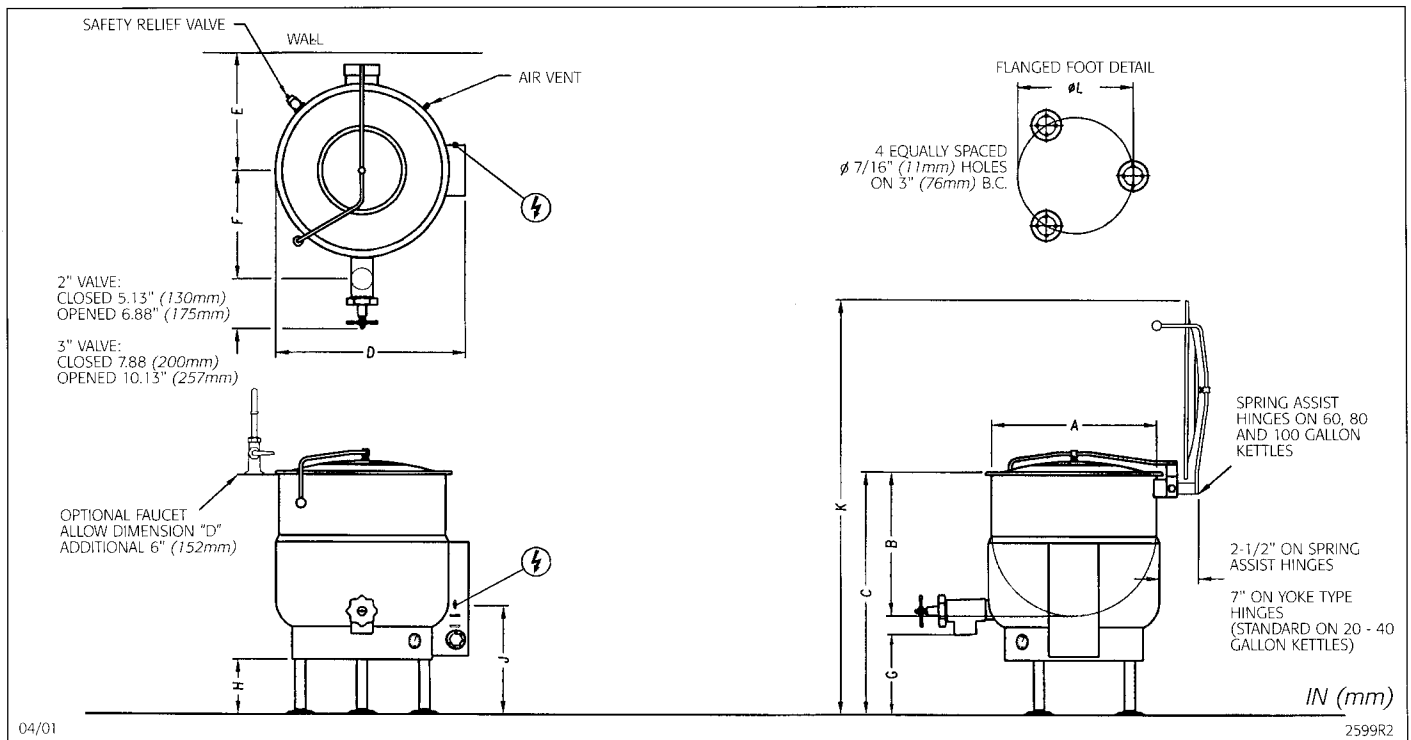
## ELECTRICAL CHARACTERISTICS

MODEL	PH	208V		220V		240V		380V		415V		480V	
		KW	AMP	KW	AMP	KW	AMP	KW	AMP	KW	AMP	KW	AMP
EL-20	3	12	33.4	12	31.5	12	28.9	12	18.3	12	16.7	12	14.5
EL-30	3	15	4.17	15	39.4	15	36.1	15	22.8	15	20.8	15	18
EL-40	3	18	50	18	47.2	18	43.4	18	27.4	18	25	18	21.7
EL-60													
EL-80													
EL-100	3	24	66.6	24	63.0	24	57.7	24	36.5	24	33.3	24	28.9

Optional at extra cost: 24 kW elements on EL-40, EL-60 & EL-80; 33 kW elements on EL-60, EL-80 & EL-100.

## DIMENSIONS

MODEL	CAPACITY	UNITS	A	B	C	D	E	F(2")	F(3")	G(2")	G(3")	H	J	K	L
EL-20	20 U.S. gal. 76 litres	inches mm	21 533	18 457	38 965	23.75 629	18.5 470	14.75 375	15.5 394	18 457	17.5 445	14 356	21 533	60.5 1537	16.75 425
EL-30	30 U.S. gal. 114 litres	inches mm	24 610	20 508	38 965	27.75 705	20 508	16 406	16.5 419	15.75 400	15.25 387	12.5 318	19 483	63.5 1613	18.312 465
EL-40	40 U.S. gal. 152 litres	inches mm	26 660	22.5 572	38 965	29.75 756	21 533	17 432	18 457	13.5 343	13 330	9 229	17 432	65 1651	19.938 506
EL-60	60 U.S. gal. 227 litres	inches mm	29.5 749	26 660	42 1067	33.75 857	19 483	18 457	19.25 489	14 356	13.5 343	11 280	17.25 438	75 1905	23.125 587
EL-80	80 U.S. gal. 303 litres	inches mm	33 838	28 711	45 1143	36.75 933	20.5 521	19.5 495	20.5 521	15 381	14.5 368	12.75 324	18 458	81 2058	26.25 667
EL-100	100 U.S. gal. 379 litres	inches mm	35.5 902	30 762	48 1219	40 1016	22 559	21.5 546	22.5 572	15 381	14.5 368	13 330	20.5 521	87 2210	29.438 748



## Free Manuals Download Website

<http://myh66.com>

<http://usermanuals.us>

<http://www.somanuals.com>

<http://www.4manuals.cc>

<http://www.manual-lib.com>

<http://www.404manual.com>

<http://www.luxmanual.com>

<http://aubethermostatmanual.com>

Golf course search by state

<http://golfingnear.com>

Email search by domain

<http://emailbydomain.com>

Auto manuals search

<http://auto.somanuals.com>

TV manuals search

<http://tv.somanuals.com>