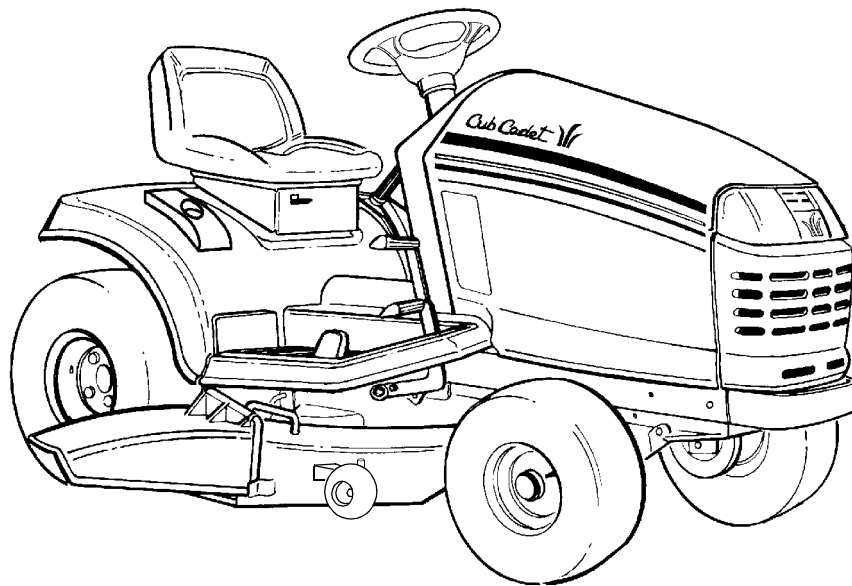


# *Cub Cadet* ® **Parts Manual**



*Series* **2000**

**TRACTOR**

**Model 2146**

**CUB CADET P.O. BOX 368023 CLEVELAND, OHIO 44136-9723**

PRINTED IN U.S.A.

FORM NO. 770-10281A  
(9/99)

# NOTES

## MODEL 2146

### TABLE OF CONTENTS

DESCRIPTION	PAGE	DESCRIPTION	PAGE
Axle, Front .....	38	Engine Mounting .....	18
Battery .....	14,15	Fender .....	36,37
Brakes .....	2,3	Frame .....	16
Bulkhead .....	13	Fuel Tank .....	17
Controls		Grille .....	34,35
Engine .....	13	Hood .....	34,35
Pedal .....	2,3	Hydraulic Filter .....	12
Transmission .....	6	Hydraulic Linkage .....	12
Dash Panel .....	13	Hydrostatic Pump, Model BDU-10L-221 .....	10,11
Drawbar .....	16	Implement Lift Handle .....	39
Drive Line .....	7	Implement Lift Hanger .....	40
Electrical		Mower Deck, 38" .....	42-45
Switches .....	14,15	Muffler .....	18
Wiring .....	14,15	PTO Clutch .....	17
Engine		Running Board .....	36,37
Air Cylinder Housing .....	31	Seat .....	33
Air Filter .....	28	Side Panels .....	34,3351
Blower Housing .....	26	Steering .....	4,5
Blower Wheel .....	25	Transmission, Hydro .....	8-12
Camshaft .....	21	Wheels, Front & Rear .....	41
Carburetor .....	28		
Crankshaft .....	20		
Cylinder Block .....	19		
Cylinder Head .....	24		
Fuel Pump .....	30		
Gearcase .....	23		
Governor .....	27		
Piston .....	22		
Starter .....	32		

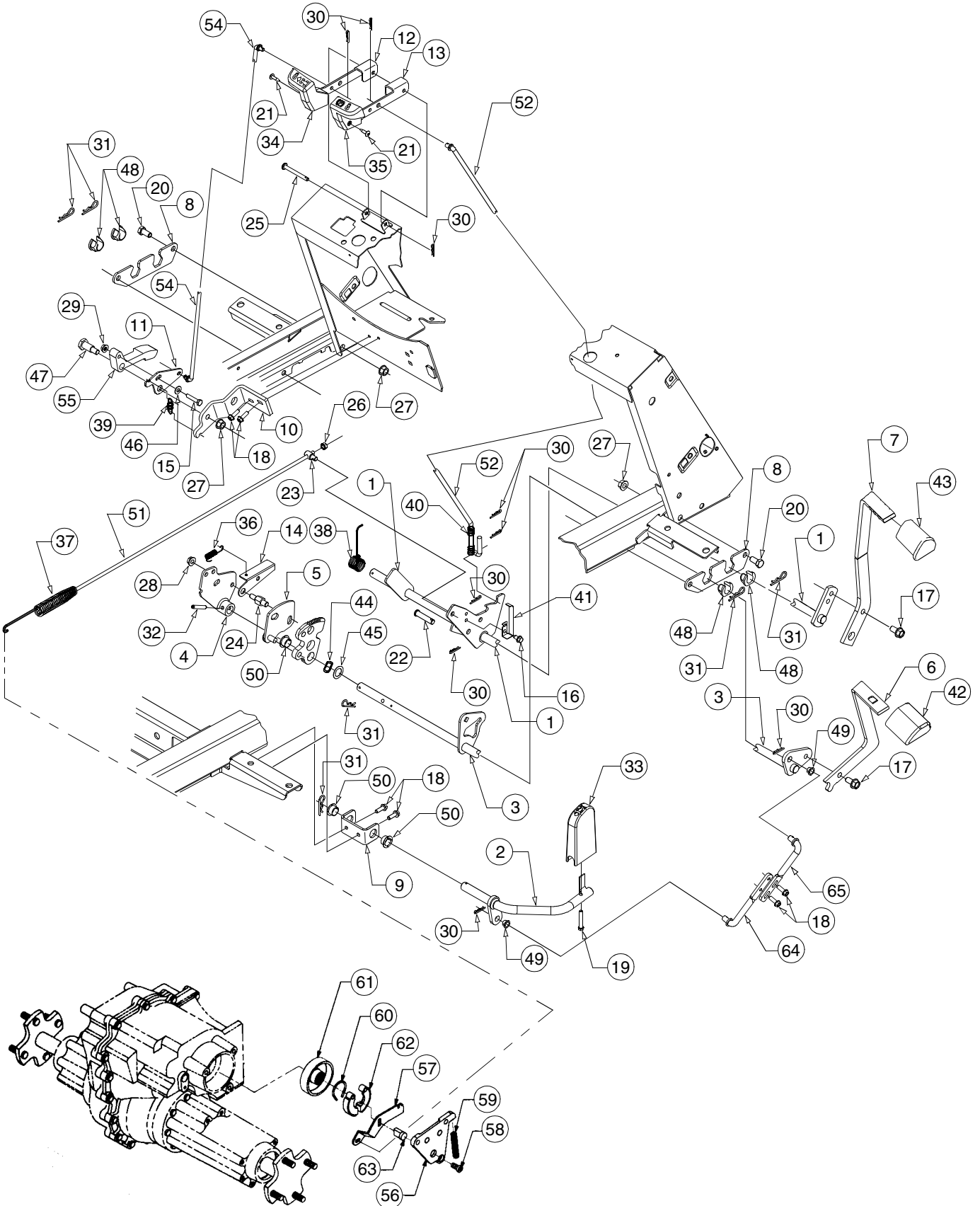
**NOTE:** For **painted parts**, please refer to the list of color codes below. Please add the applicable color code, wherever needed, to the part number to order a replacement part. For instance, if a part, numbered 700-xxxx, is painted Cub Yellow, the part number to order would be 700-xxxx-0498.

Cub Yellow: 0498

Cub Beige: 0499

Powder Black: 0637

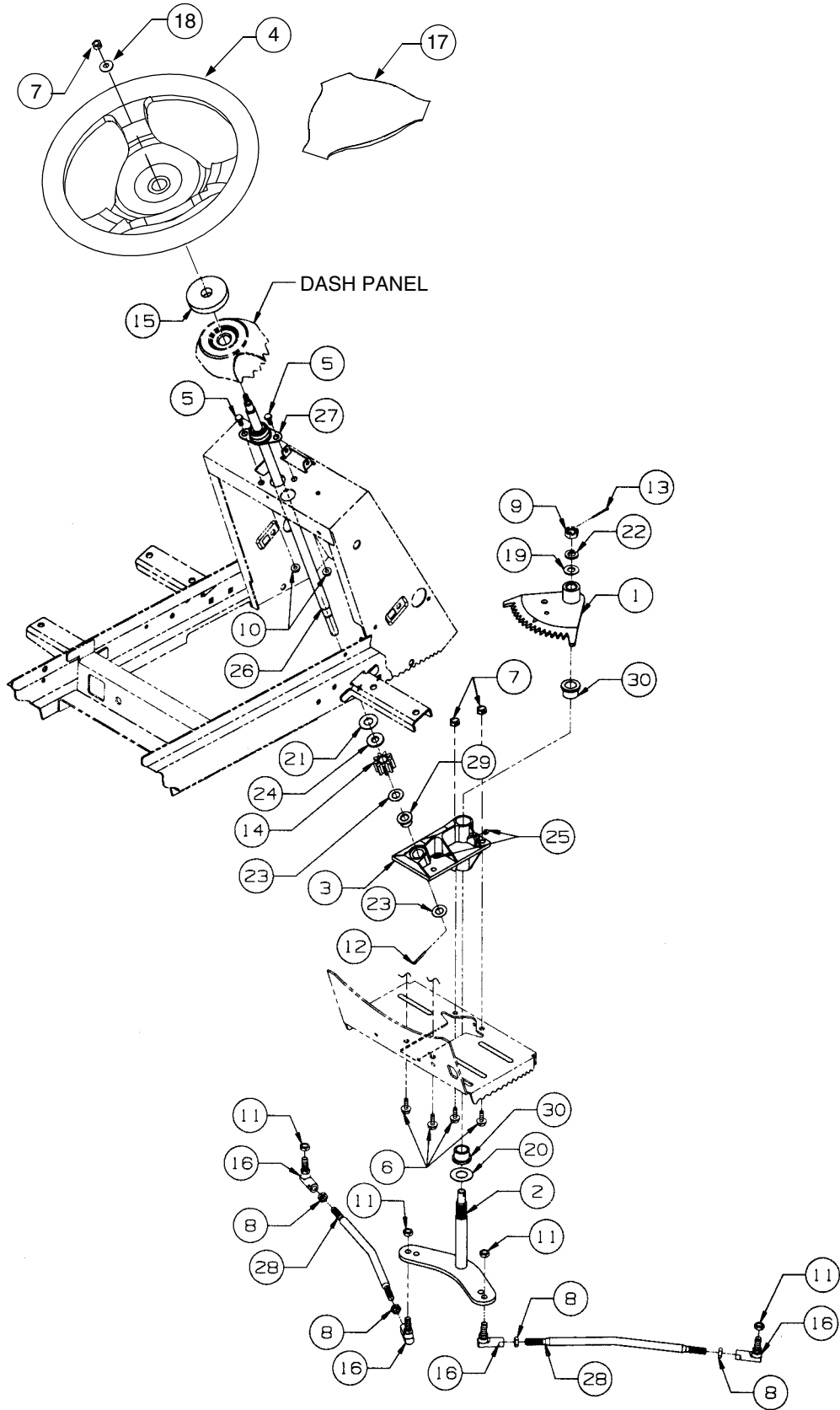
# BRAKE AND CONTROL PEDALS



## BRAKE AND CONTROL PEDALS

REF. NO.	PART NUMBER	DESCRIPTION	QTY.	REF. NO.	PART NUMBER	DESCRIPTION	QTY.
1	603-0321A	Shaft Assy, Brake	1	33	731-3205	Pedal, Reverse	1
2	603-0412	Pedal Assy, Reverse	1	34	731-3206	Knob, Cruise	1
3	603-0697	Shaft Assy, Forward/Reverse	1	35	731-3207	Knob, Brake Lock	1
4	603-0419	Cam Assy, Control	1	36	732-0418	Spring, Extension, .38 OD x 2.1	1
5	603-0421	Plate Assy, Disengagement	1	37	732-0463	Spring, Extension	1
6	703-2570A	Pedal, Forward	1	38	732-0756A	Spring, Torsion	1
7	703-2573A	Pedal, Brake	1	39	732-0824	Spring, Extension, .437 OD x 1.32	1
8	703-2804	Plate, Bearing Mounting	2	40	732-3099	Spring, Compression, .50 x 2.23	1
9	703-2938	Bracket, Reverse Pivot	1	41	732-3117	Spring, Switch Actuator	1
10	703-2941	Bracket, Cruise	1	42	735-3048	Pad, Forward Foot Control	1
11	703-2942	Plate, Rod Adjustment	1	43	735-3049	Pad, Brake Foot	1
12	703-2962	Lever, Cruise	1	44	736-0174	Washer, Wave, .625 x .885 x .015	1
13	703-2963	Lever, Brake Lock	1	45	736-0349	Washer, Flat, .635 x 1.0 x .020	1
14	703-2965	Actuator, Reverse Switch	1	46	736-0463	Washer, Flat, 1/4 x .63 x .051	1
15	710-0106	Screw, Hex Cap, 1/4-20 x 1.25	1	47	738-0145	Shoulder Bolt, .50 OD x .840	1
16	710-0599	Screw, Hex Wash Hd Tapp 1/4-20 x .5	1	48	741-3065A	Bearing, Hex Flange Split	4
17	710-0623	Screw, Hex Wash Hd Tapp 3/8-16x .75	2	49	741-3073	Bearing, Flange, .375 x .58 x .25	2
18	710-0642	Screw, Hex Wash Hd Tapp 1/4-20x .75	6	50	741-3074	Bearing, Flange, .626 x .93 x .344	3
19	710-0796	Screw, Truss Mach, #12 x 1.5	1	51	747-3216	Rod, Brake	1
20	710-0216	Screw, Hex Cap, 3/8-16 x .75 GR5	2	52	747-3219	Rod, Parking Brake	1
21	710-3009	Screw, Phil Hd Pan, #10-24 x .75	2	54	747-3307	Rod, Cruise	1
22	711-0415	Pin, Clevis, 3/8 x 1.62	1	55	748-3060	Latch, Cruise	1
23	711-0736	Ferrule, Adjustment, 1/4-20 Thrd	1	56	618-3060	Plate, Brake	1
24	711-1138	Stud, Actuator	1	57	703-2191	Arm, Brake	1
25	711-3295	Pin, Clevis, .25 x 2.38 Lg	1	58	710-3262	Screw, Low Hd Cap, 3/8-16 x .75	1
26	712-0271	Nut, Hex Sems, 1/4-20	1	59	732-0152	Spring, Compression	1
27	712-0431	Nut, Hex Flange Lock, 3/8-16	3	60	732-3077	Spring, Brake	1
28	712-3004A	Nut, Hex Flange Lock, 5/16-18	1	61	761-3019	Drum, Brake	1
29	712-3027	Nut, Hex Flange Lock, 1/4-20	1	62	761-3020	Shoe, Brake	1
30	714-0104	Pin, Internal Cotter, 5/16 Dia x 1.12 Lg	9	63	761-3028	Actuator, Brake Shoe	1
31	714-0145	Pin, Internal Cotter, 3/8 Dia x 1.62	6	64	747-3341A	Rod, Rear Connecting	1
32	715-0114	Pin, Spiral Spring, 1/4 x 1.5	1	65	747-3344A	Rod, Front Connecting	1

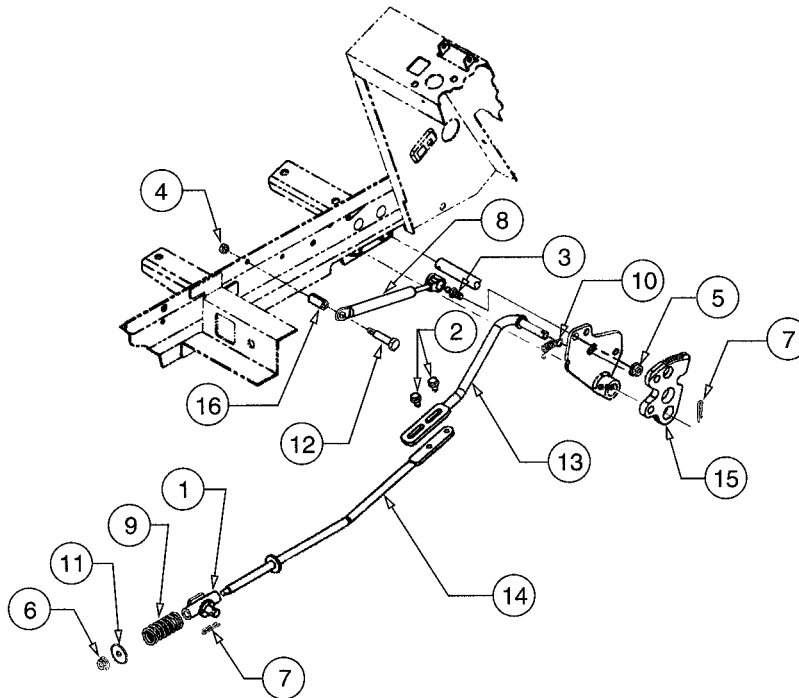
# STEERING



## STEERING

REF. NO.	PART NUMBER	DESCRIPTION	QTY.
1	603-0250	Segment Assy, 18T Steering	1
2	603-0064	Arm Assy, Lower Steering	1
3	603-0236A	Housing Assy, (Incl.Ref #25, 29-30)	1
4	631-3209	Wheel, Steering, Soft Grip	1
5	710-0751	Screw, Hex Cap, 1/4 - 20 x .62, GR5	2
6	710-0376	Screw, Hex Hd Cap, 5/16 - 18 x 1.0 GR5	4
7	712-0237	Nut, Hex Center Lock, 5/16-18	5
8	712-3001	Nut, Hex Jam, 3/8-24 GR5	4
9	712-3012	Nut, Hex Slotted, 1/2-20 GR5	1
10	712-3027	Nut, Hex Flange Lock, 1/4-20	2
11	712-3054	Nut, Hex Lock, 3/8-24 GR5	4
12	714-0115	Pin, Cotter, 1/8 Dia x 1	1
13	714-3004	Pin, Cotter, 3/32 Dia x 1.25	1
14	717-3382	Pinion, Steering	1
15	722-3019	Gasket, Steering	1
16	723-0156	Joint, Ball, 3/8-24	4
17	731-3210	Insert, Steering Wheel Cover	1
18	736-0242	Washer, Bell, .340 x .88 x .06 Thk	1
19	736-0272	Washer, Flat, .510 x 1 x .06 Thk	1
20	796-0351	Washer, Flat, .760 x 1.5 x .03 Thk	1
21	736-0355	Washer, Flat, .56 x 1 x .04 Thk	1
22	736-0921	Washer, Lock, 1/2	1
23	736-3013	Washer, Flat, .531 x 1 x .027 Thk	2
24	736-3132	Wshr, Rubber Flat, .50x1.12x.125 Thk	1
25	737-3000	Fitting, Grease, 3/16 Drive Type	2
26	738-3105	Shaft, Steering	1
27	741-3025	Bearing, Flange	1
28	747-3171	Rod, Tie	2
29	748-0108	Bearing, Flange, .503 ID	1
30	748-3007A	Bearing, Bronze Flange, .75 ID	2

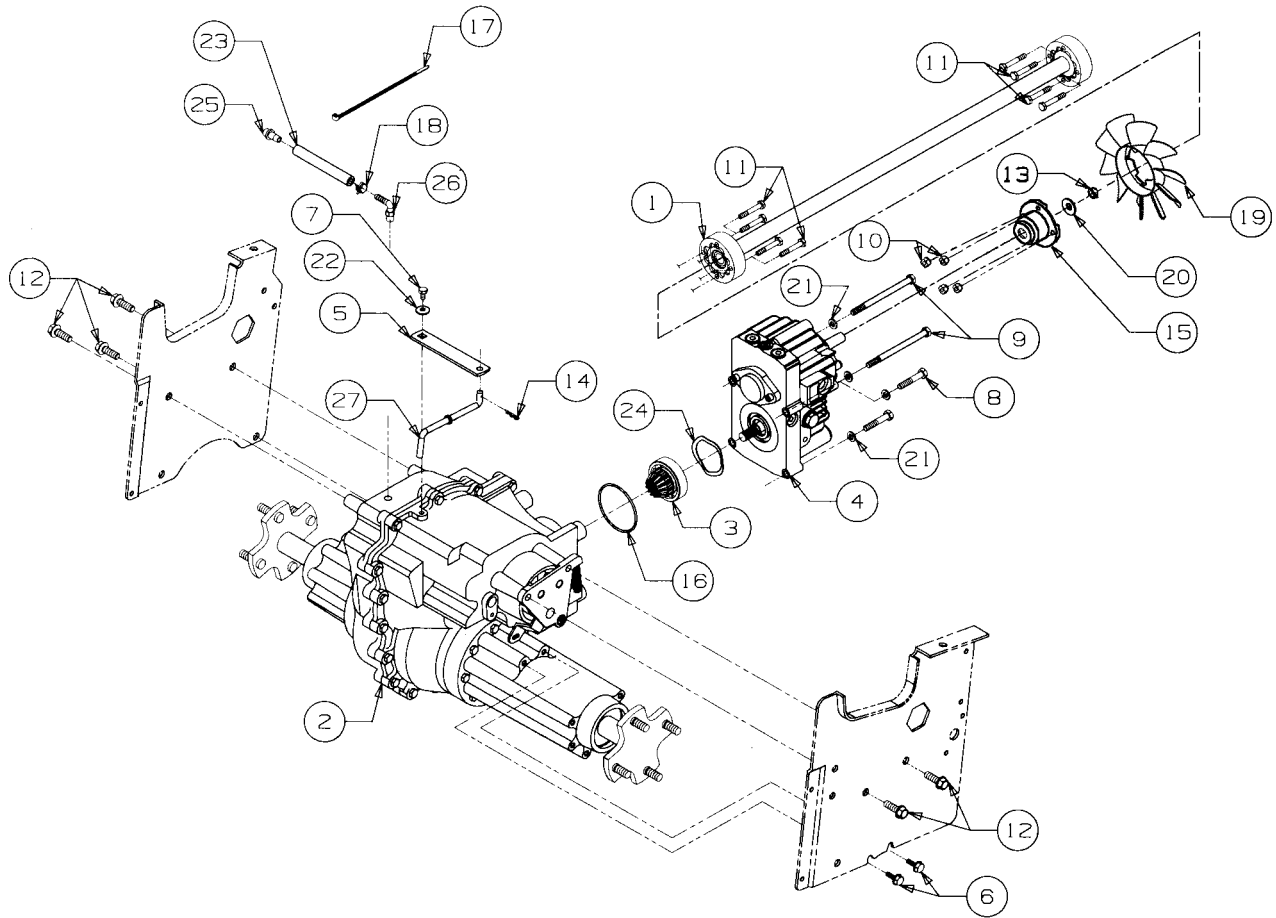
## TRANSMISSION CONTROLS



REF. NO.	PART NUMBER	DESCRIPTION	QTY.
1	603-0272	Pivot Assembly	1
2	710-0599	Screw, Hex Wsh Hd Tapp, 1/4-20 x .5	2
3	710-3170	Screw, Ball, 5/16-18 x.56	1
4	712-0271	Nut, Hex Sems, 1/4-20	1
5	712-3004A	Nut, Hex Flange Lock, 5/16-18 GR5	1
6	712-3027	Nut, Hex Flange Lock, 1/4-20	1
7	714-0104	Pin, Internal Cotter	2
8	727-3090	Cylinder, Damper	1
9	732-3094	Spring, Compression, .63 ID x 2	1
10	732-3118	Spring, Extension, 3/8 OD x 1.44	1
11	736-3092	Washer, Flat, .265 x 1 x .030	1
12	738-0560	Bolt, Shoulder, .374 Dia x 1.375	1
13	747-3304	Rod, Front Control	1
14	747-3309	Rod, Rear Hydro Control	1
15	748-3070	Plate, Cruise	1
16	750-0434	Spacer, Split Tubing, .375 ID x 1.04	1

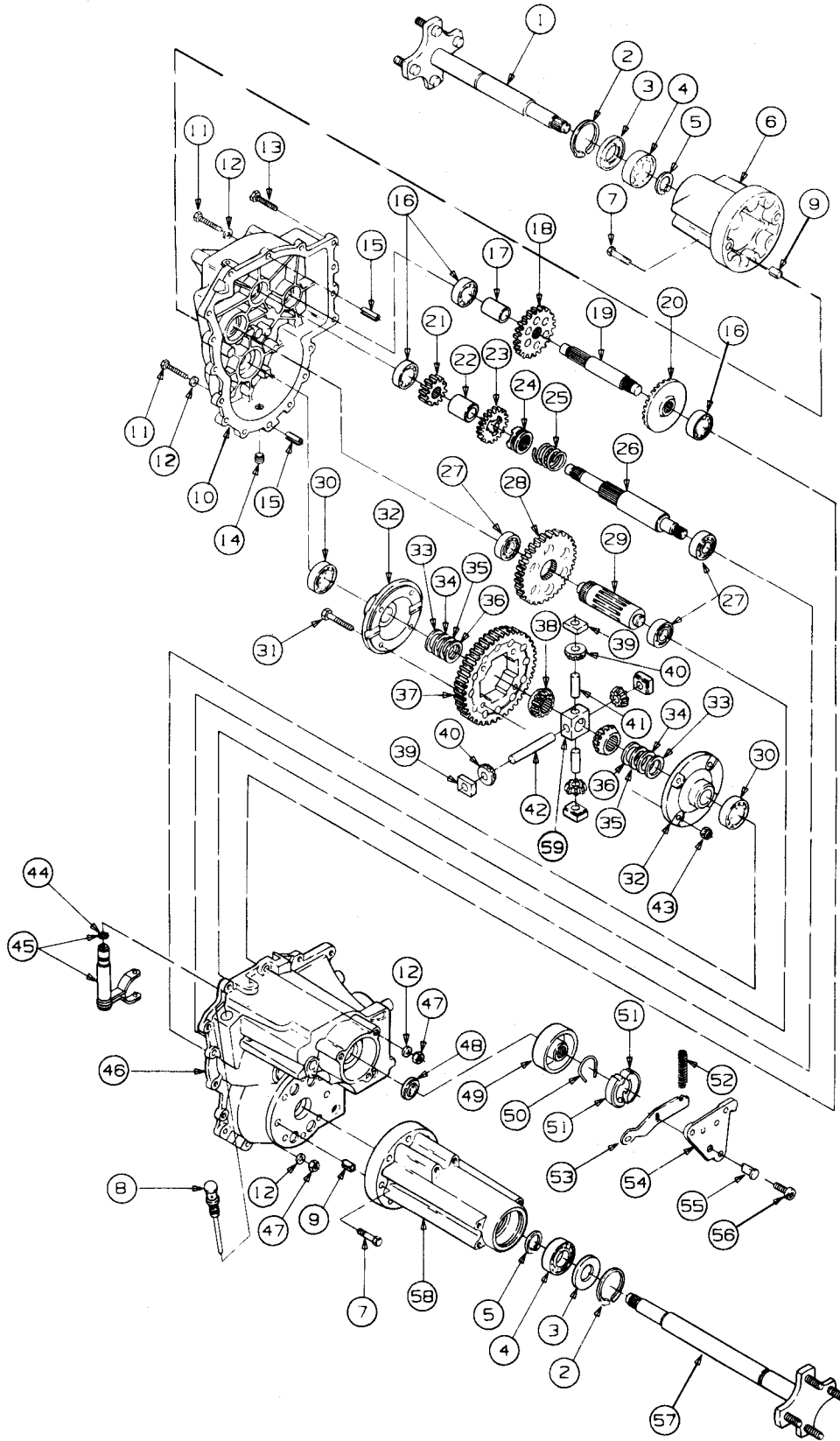


## DRIVE LINE



REF. NO.	PART NUMBER	DESCRIPTION	QTY.	REF. NO.	PART NUMBER	DESCRIPTION	QTY.
1	603-0179	Shaft Assembly, Drive, 29.06 Lg	1	14	714-0104	Pin, Internal Cotter, 5/16 Dia x 1.12	1
	759-3764	Kit, Drive Barrel	2	15	748-3099	Adapter, Pump	1
2	618-3085A	Transmission Assembly, Hydro	1	16	721-0261	O-Ring, 2.75 x .103	1
3	618-3088	Pinion Assembly, Input	1	17	725-0157	Tie, Self-Clinch Cable	1
4	618-3111	Pump, Hydrostatic	1	18	726-0205	Clamp, Hose	1
5	703-2568	Arm, Hydro Dump	1	19	731-3297	Fan, 10 Blade Cooling	1
6	710-1260	Screw, Hex Wsh Tap, 5/16-18 x .75	2	20	736-0105	Washer, Bell, .380 x .88 x .063	1
7	710-0642	Screw, Hex Wsh Tap, 1/4-20 x .75	1	21	736-0119	Washer, Lock, 5/16	4
8	710-3180	Screw, Hex Cap, 5/16-18 x 1.75 GR5	2	22	736-0270	Washer, Bell, .265 x .75 x .062	1
9	710-3195	Screw, Hex Cap, 5/16-18 x 4.5 GR5	2	23	759-3330	Line, Fuel, 7in (10ft Bulk)	1
10	748-3037	Nut, Fan, 1/4-20	4	24	736-3099	Washer, Wave, 1.96 x 2.44 x .06	1
11	710-3288	Screw, Hex Patch, 1/4-20 x 1.62 GR5	8	25	737-0296	Vent	1
12	710-3290	Screw, Hex Wsh Tap, 3/8-16 x 1.25	5	26	737-0299	Fitting, Elbow	1
13	712-0262	Nut, Hex Center Lock Jam, 3/8-24	1	27	747-3228	Rod, Hydro Disengagement	1

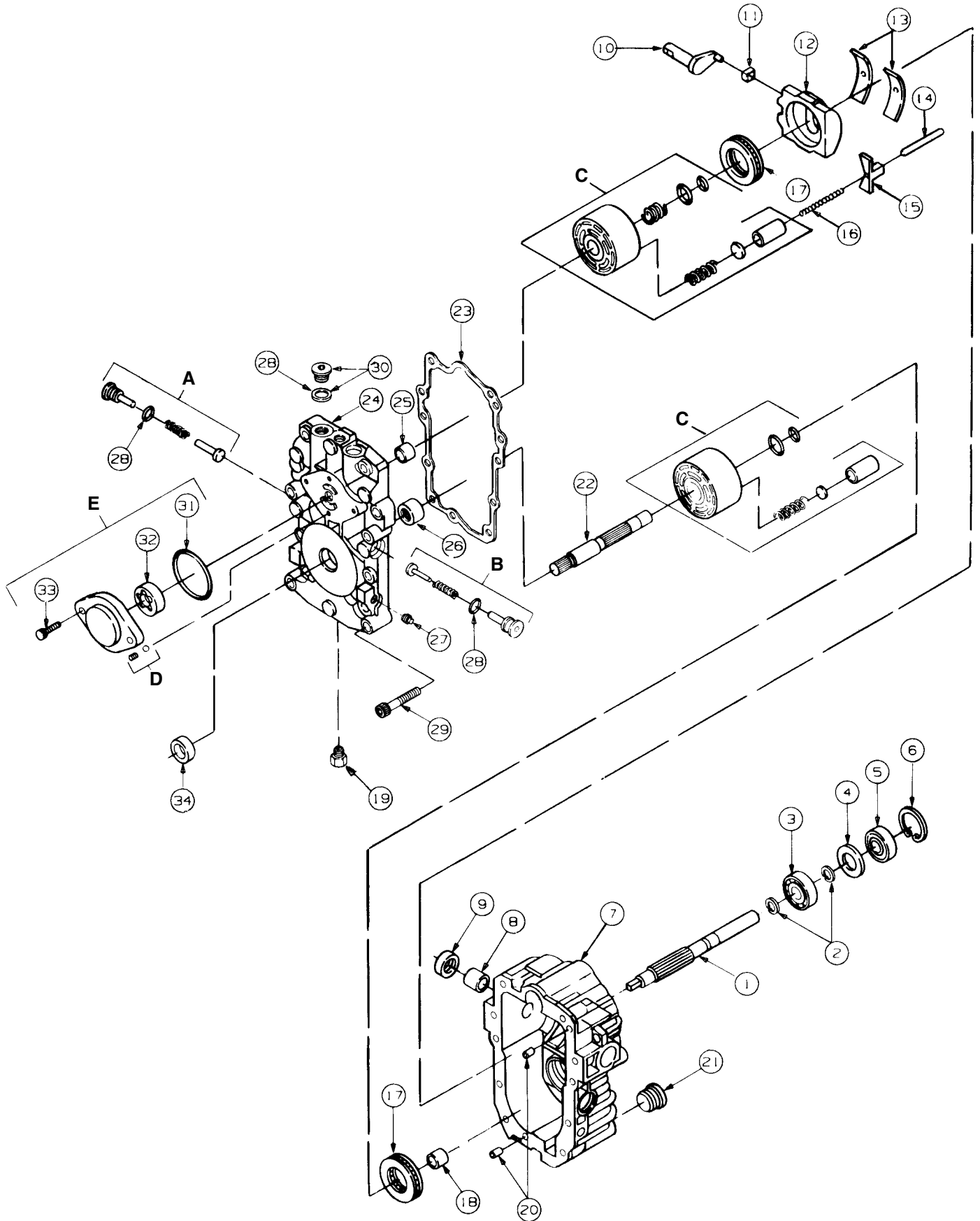
# HYDRO TRANSMISSION



## HYDRO TRANSMISSION

REF. NO.	PART NUMBER	DESCRIPTION	QTY.	REF. NO.	PART NUMBER	DESCRIPTION	QTY.
1	611-3008	Axle Assy, LH, 11.9" Lg	1	31	710-0151	Screw, Hex Cap, 3/8-24 x 2.0	4
2	716-3015	Ring, Inverted Retainer	2	32	619-3013	Cover, Differential	2
3	721-3020A	Seal, Oil	2	33	736-0423	Washer, Flat, 1.0 x 1.56 x .010 Thk	AR
4	741-3033A	Bearing	2	34	736-0431	Washer, Flat, 1.0 x 1.56 x .015 Thk	AR
5	716-3018	Ring, External Retaining	2	35	736-0424	Washer, Flat, 1.0 x 1.56 x .020 Thk	AR
6	619-3025	Housing, LH Axle	1	36	736-0420	Washer, Flat, 1.0 x 1.56 x .040 Thk	AR
7	710-1008	Screw, Hex L-Wash Tap, 3/8-16 x 1.88	16	37	717-1159	Gear, 60T Bull	1
8	727-3085	Dipstick, Oil	1	38	717-1119	Gear, 14T Differential Side	2
9	715-3045	Bushing, Dowel	4	39	717-1190	Block, Differential Thrust	4
10	619-3037B	Housing, LH Differential	1	40	717-1120	Gear, 10T Differential Pinion	4
11	710-0606	Screw, Hex Cap, 1/4-20 x 1.5	2	41	717-1178	Shaft, Cross	2
12	736-0463	Washer, Flat, .25 x .62 x .052	4	42	717-1173	Shaft, Cross, .50 OD x 3.485 Lg	1
13	710-0788	Screw, Hex Wash Hd Tap, 1/4-20 x 1.0	15	43	712-3054	Nut, Hex Lock, 3/8-24	4
14	710-1346	Screw, Plug, M14 x 1.5 x .827	1	44	721-3008	O-Ring, 3/8 ID x 1/2 OD	1
15	715-3045	Bushing, Dowel	2	45	618-3084	Yoke Assy, Shift (Incl. Ref #44)	1
16	741-0361	Bearing, Ball	3	46	619-3036A	Housing, RH Differential	1
17	750-3133	Spacer, .757 ID x 1.0 OD x 1.46	1	47	712-0291	Nut, Hex Center Lock, 1/4-20	2
18	717-3388	Gear, 27T Drive	1	48	721-3029	Seal, Shift Shaft	1
19	717-3374	Shaft, Drive	1	49	761-3019	Drum, Brake	1
20	717-3347	Gear, 36T Bevel	1	50	732-3077	Spring, Brake	1
21	717-3391	Gear, 16T Spur	1	51	761-3020	Shoe, Brake	2
22	750-3134	Spacer, .885 ID x 1.125 OD x 1.4	1	52	732-0152	Spring, Compression	1
23	717-3387	Gear, 18T Shift	1	53	703-2191	Arm, Brake	1
24	718-3039	Collar, Drive	1	54	618-3060	Plate, Brake	1
25	732-3113	Spring, Compression, 1.015 ID x 1.6	1	55	761-3028	Actuator, Brake Shoe	1
26	711-3379A	Shaft, Shifter	1	56	710-3262	Screw, Low Hd Cap, 3/8-16 x .75	1
27	741-3057	Bearing, Ball, .787 x 1.85 x .551	3	57	611-3009	Axle Assy, RH, 15.6 Lg	1
28	717-3392	Gear, 42T Spur	1	58	619-3024	Housing, Axle, RH	1
29	717-3346	Shaft, 9T Output	1	59	717-1180	Block, Differential Pinion	1
30	741-3037	Bearing, Ball	2				

# HYDROSTATIC PUMP

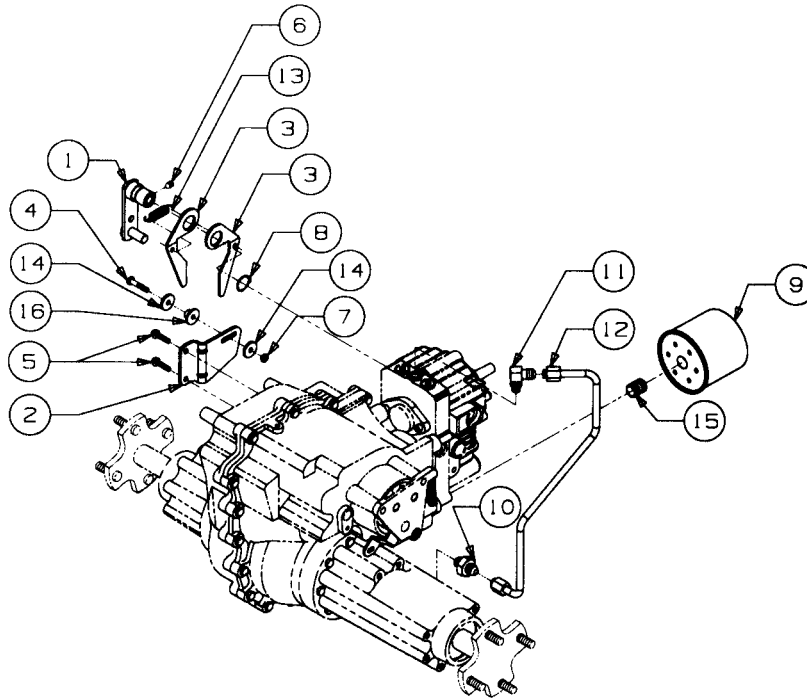


## HYDROSTATIC PUMP

REF. NO.	PART NUMBER	DESCRIPTION	QTY.
A	HG-2510050	Kit, Check Valve	1
B	HG-2510034	Kit, Orificed Check Valve	1
C	HG-2513009	Kit, Cylinder Block	2
D	HG-2510011	Kit, Charge Relief Valve	1
E	HG-2513027	Kit, Charge Pump	1
1	HG-50185	Shaft, Pump	1
2	HG-2003016*	Ring, Retaining	2
3	HG-2003043	Bearing, Ball	1
4	HG-2003018*	Spacer	1
5	HG-9008000-0128*	Seal, Lip	1
6	HG-2003052*	Ring, Retaining	1
7	HG-2513036	Housing Assy (Incl. Ref #8, 14, & 18)	1
8	HG-2003009	Bearing, Journal	1
9	HG-9008000-0126*	Seal, Lip	1
10	HG-2003005	Arm, Trunnion	1
11	HG-2000015	Guide, Slot	1
12	HG-2003087	Swashplate	1
13	HG-2003023	Bearing, Cradle	2
14	HG-9004820-2536	Pin, Leveler	1
15	HG-2003091	Leveler, Swashplate	1
16	HG-2003092	Spring, Leveler	1
17	HG-2003044	Bearing, Thrust	2
18	HG-2003071	Bearing, Journal	1
19	HG-9005110-4400	Plug	1
20	HG-9004800-2506	Pin	2
21	HG-9005110-8700	Plug	1
22	HG-2003034	Shaft, Motor	1
23	HG-2003060*	Gasket, Center Section	1
24	HG-2513037	Center Section Assy (Incl. Ref #25, 26)	1
25	HG-2003071	Bearing, Journal	1
26	HG-2003045	Bearing, Needle	1
27	HG-9005001-0600	Plug, Pipe	1
28	HG-9004201-3700*	O-Ring	3
29	HG-9007314-0808	Screw, Socket Hd	8
30	HG-9005110-5600	Plug w/Ring	2
31	HG-9004101-1340*	O-Ring	1
32	HG-J1041008	Gerotor Assy	1
33	HG-9007375-0038	Screw, Socket Hd	2
34		Not Used In This Application	
*	HG-2513013	Kit, Overhaul Seal	1

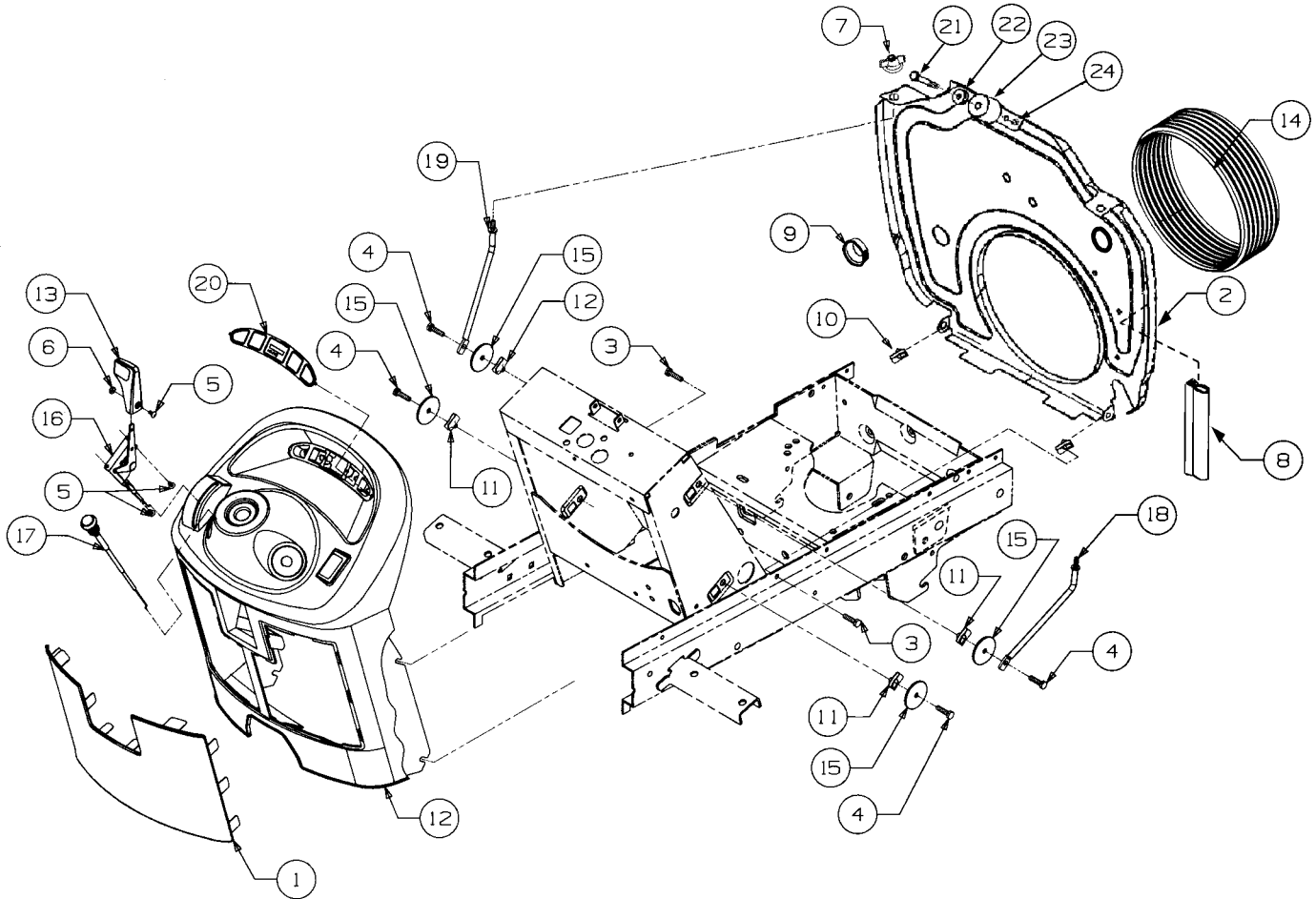
\* Indicates Parts In Overhaul Seal Kit

## NEUTRAL LINKAGE, HYDRAULIC PICKUP AND RETURN TUBES



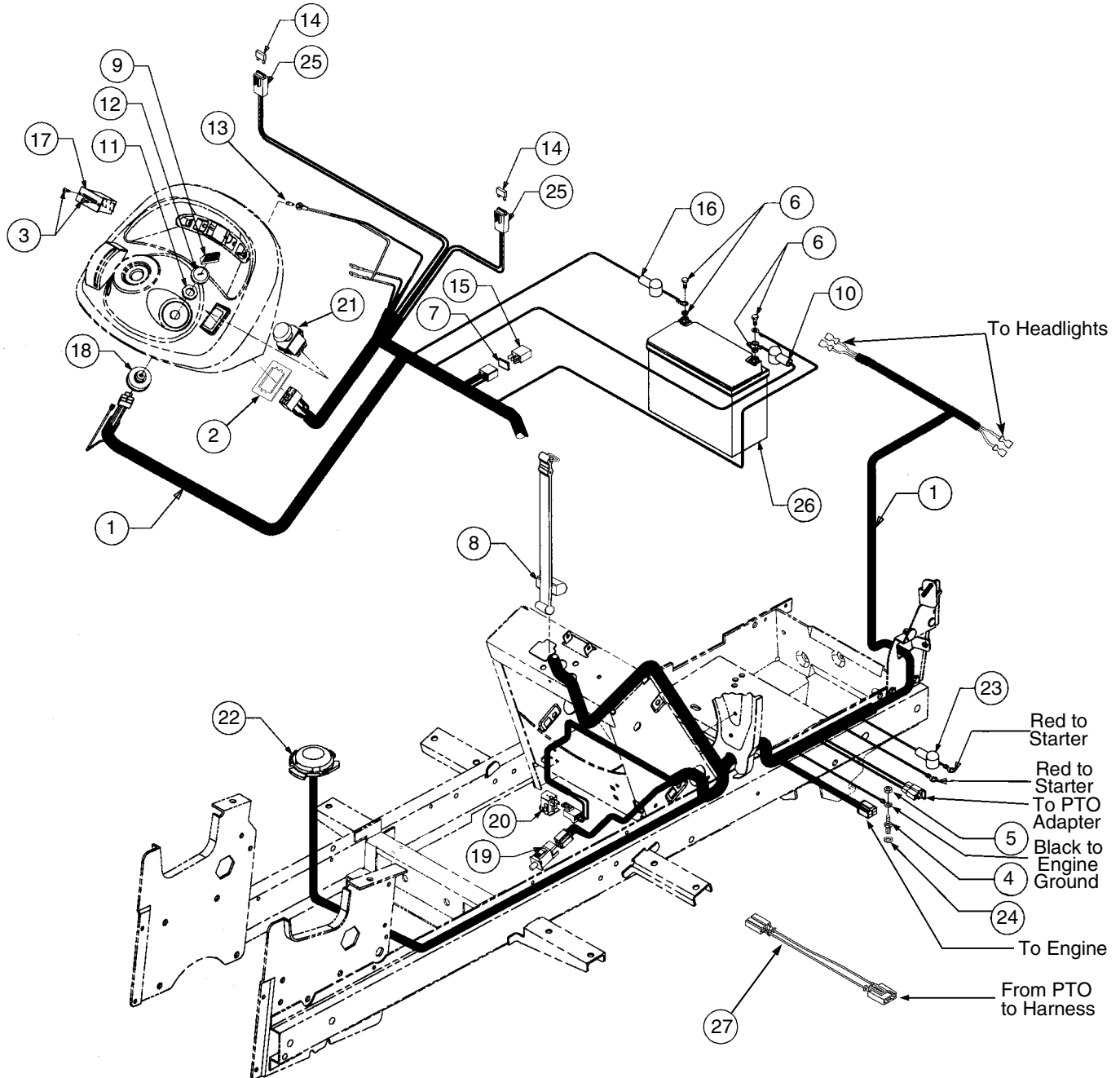
REF. NO.	PART NUMBER	DESCRIPTION	QTY.
1	603-0160	Arm Assembly, Control	1
2	703-2440	Bracket, Hydro Neutral	1
3	703-2441	Arm, Neutral	2
4	710-0106	Screw, Hex Cap, 1/4-20 x 1.25	1
5	710-0788	Screw, Hex Wash TT-Tap, 1/4-20 x 1	2
6	710-3242	Screw w/Patch, Set	1
7	712-0324	Nut, Hex Top Lock, 1/4-20	1
8	716-0111	Ring, Snap, .875 Shaft	1
9	723-3014	Filter, Oil	1
10	727-3002	Connector, Tube 37 Deg. w/O-Ring	1
	721-3001	O-Ring, 3/8 OD Tube	1
11	727-3086	Elbow, Adjustable w/O-Ring	1
	721-3002	O-Ring, 1/4 OD Tube	1
12	727-3088	Tube, Pickup	1
13	732-3119	Spring, Extension, .5 OD x 1.97 Lg	1
14	736-0176	Washer, Flat, .25 x .93 x .120 Thk	2
15	737-3022	Nipple, Oil Filter	1
16	750-0918	Spacer, Centering	1

## BULKHEAD, DASH PANEL AND ENGINE CONTROLS



REF. NO.	PART NUMBER	DESCRIPTION	QTY.	REF. NO.	PART NUMBER	DESCRIPTION	QTY.
1	703-2557	Screen, Intake Dash	1	13	731-3161	Knob, Throttle	1
2	703-3108A	Bulkhead, Lower	1	14	723-3317	Boot, Intake	1
3	710-0751	Screw, Hex Cap, 1/4-20 x .625	2	15	736-3128	Washer, Flat, .285 x 1.75 x .10	4
4	710-0597	Screw, Hex Cap, 1/4-20 x 1.0	4	16	746-3049	Control, Throttle	1
5	710-3217	Screw, Cross Rec Trus, #8-32 x .38	3	17	746-3050A	Control, Choke	1
6	712-0142	Nut, #8-32	1	18	747-3226	Rod, RH Mounting	1
7	712-0397	Nut, Wing w/Bell Washer 1/4-20	2	19	747-3227	Rod, LH Mounting	1
8	720-3024	Seal, Push On Trim	1	20	777I20312	Label, Dash	1
9	723-3042	Bushing, Snap, 7/8 ID	1	21	710-0136	Screw, Hex Cap, 1/4-20 x 1.75 GR5	1
10	726-3048	Nut, U-Type Speed, 1/4-20	2	22	736-0342	Washer, Flat, .283 x .75 x .030	1
11	726-3054	Nut, U-Clip, 1/4-20	4	23	731-3232	Roller, Hood Latch	1
12	731-3137A	Panel, Dash	1	24	712-0271	Nut, Hex Sems, 1/4-20	1
	777I20306	Graphic, Ignition Switch	1				

## BATTERY, ELECTRICAL COMPONENTS AND SWITCHES



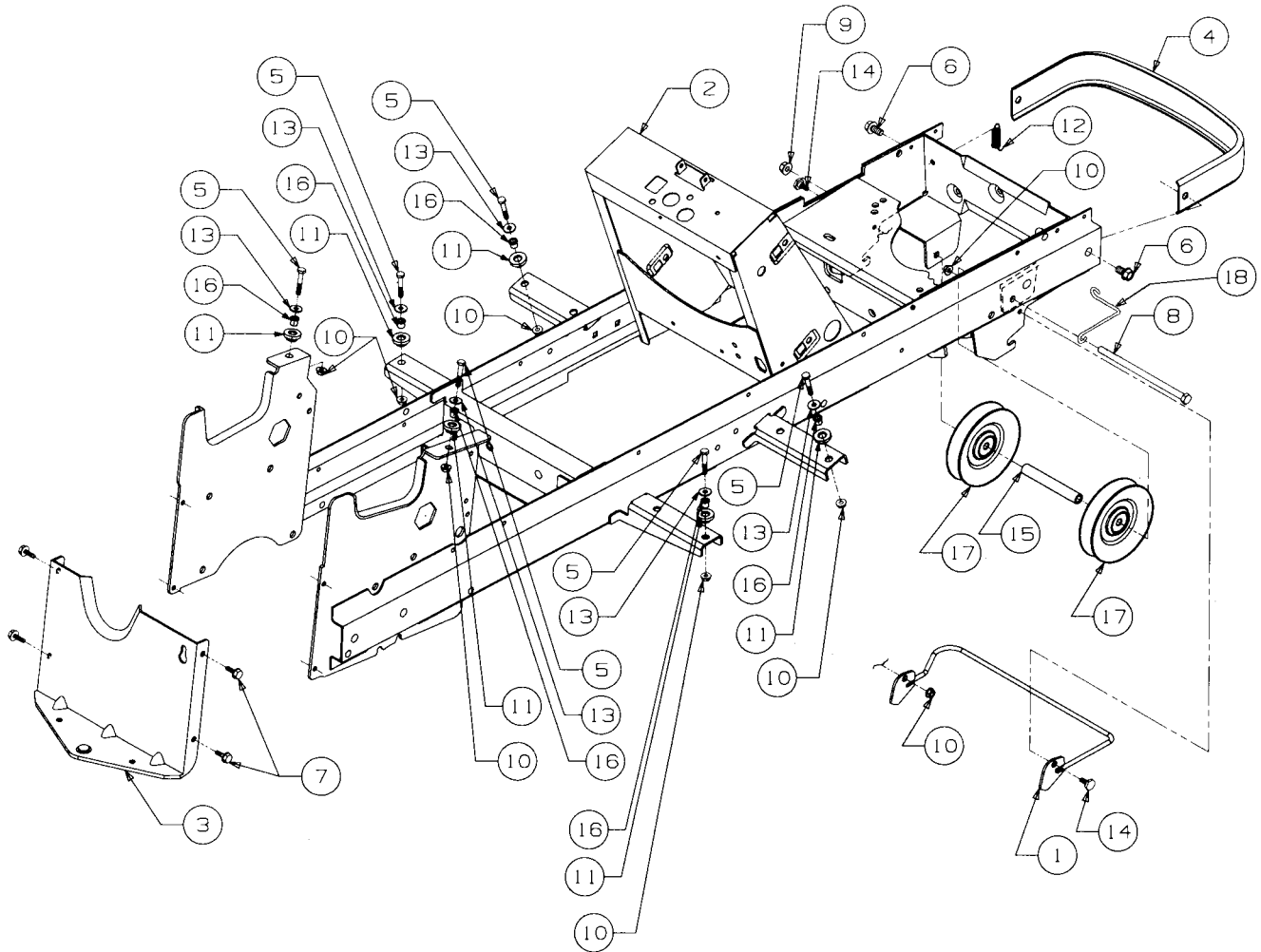


---

## BATTERY, ELECTRICAL COMPONENTS AND SWITCHES

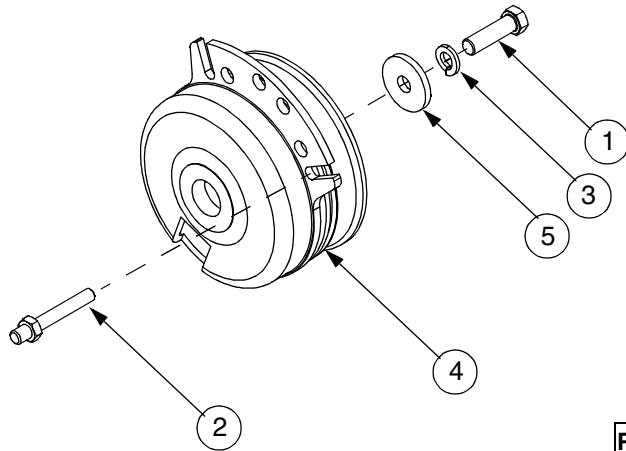
REF. NO.	PART NUMBER	DESCRIPTION	QTY.
1	629-3068	Wire Harness, Main	1
	725-0157	Tie, Self-Clinch Cable	4
	726-0154	Tie, Pushmount	5
	726-3055	Clip, Cable	9
2	732-0696	Hook, Wire Rectangular	1
3	710-0936	Screw, Truss Hd Tapp, #6 x .62	2
4	711-1094	Stud, Ground	1
5	712-0267	Nut, Hex, 5/16-18	1
6		Battery Cable Hardware	
	710-3015	Screw	2
	712-0271	Sems Nut	2
7	721-0342	Gasket, Silicone	1
8	723-0445	Strap, Battery Retainer	1
9	759-3476A	Key, Ignition (Set of 2)	1
10	725-0340	Cover, Terminal Black	1
11	725-1346	Nut, Ignition Switch	1
12	725-1347	Cap, Ignition Switch	1
13	725-1365	Bulb, Indicator	1
14	725-1381	Fuse, 20 Amp	2
15	725-1648	Relay	1
16	725-3007A	Cover, Terminal Red	1
17	725-3159	Hour Meter	1
18	725-3163	Switch, Ignition	1
19	725-3164A	Switch, Interlock (Brake)	1
20	725-3166	Switch, Snap Mount - Normally Closed	1
21	725-3233	Switch, PTO	1
22	725-3234	Switch, Seat	1
23	725-3237	Cover, Terminal Red	1
24	736-0607	Washer, External Lock, 5/16	1
25	729-0357	Holder, Fuse w/Mounting Clip	2
26	725-1706	Battery	1
27	725-3242	Adapter, PTO Harness	1

## FRAME AND DRAWBAR



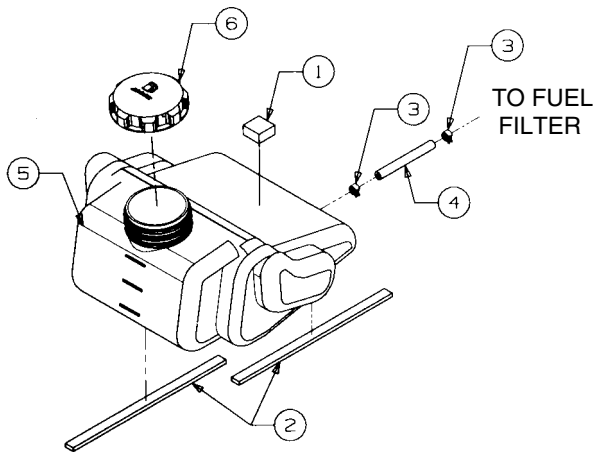
REF. NO.	PART NUMBER	DESCRIPTION	QTY.
1	603-0132	Rod, Quick Attach	1
2	603-0328A	Frame	1
3	703-2257	Drawbar	1
4	777120296	Graphic, Transmission Release Lever	1
5	703-2577	Bumper	1
6	710-0597	Screw, Hex Cap, 1/4-20 x 1.0	6
7	710-0623	Screw, Hex Wsh Hd Tapp 3/8-16 x .75	2
8	710-1260A	Screw, Hex Wsh Hd Tap 5/16-18 x .75	4
9	710-3261	Screw, Hex Cap, 3/8-16 x 7.0	1
10	712-0431	Nut, Hex Flange Lock, 3/8-16	1
11	712-3027	Nut, Hex Flange Lock, 1/4-20	8
12	722-0258	Grommet, Insulator	6
13	732-3002	Spring, Latch	1
14	736-3090	Washer, Flat, .255 x .72 x .60	6
15	738-0255	Bolt, Shoulder	2
16	750-3114A	Spacer, Idler, .407 x .720 x 4.38	1
17	750-3169	Spacer, .28 x .40 x .42 Lg	6
18	756-3045	Pulley, Idler	2
18	732-0970	Belt Guide	1

## PTO CLUTCH



REF. NO.	PART NUMBER	DESCRIPTION	QTY.
1	710-0757	Screw, Hex Cap, 7/16-20 x 1.5 GR5	1
2	711-0640	Stud, Clutch Stop	1
3	736-0171	Washer, Lock, 3/8	1
4	717-3403	Clutch Assy, PTO	1
5	736-3082A	Washer, Flat, .445 x 1.5 x 1.72 Hdn	1

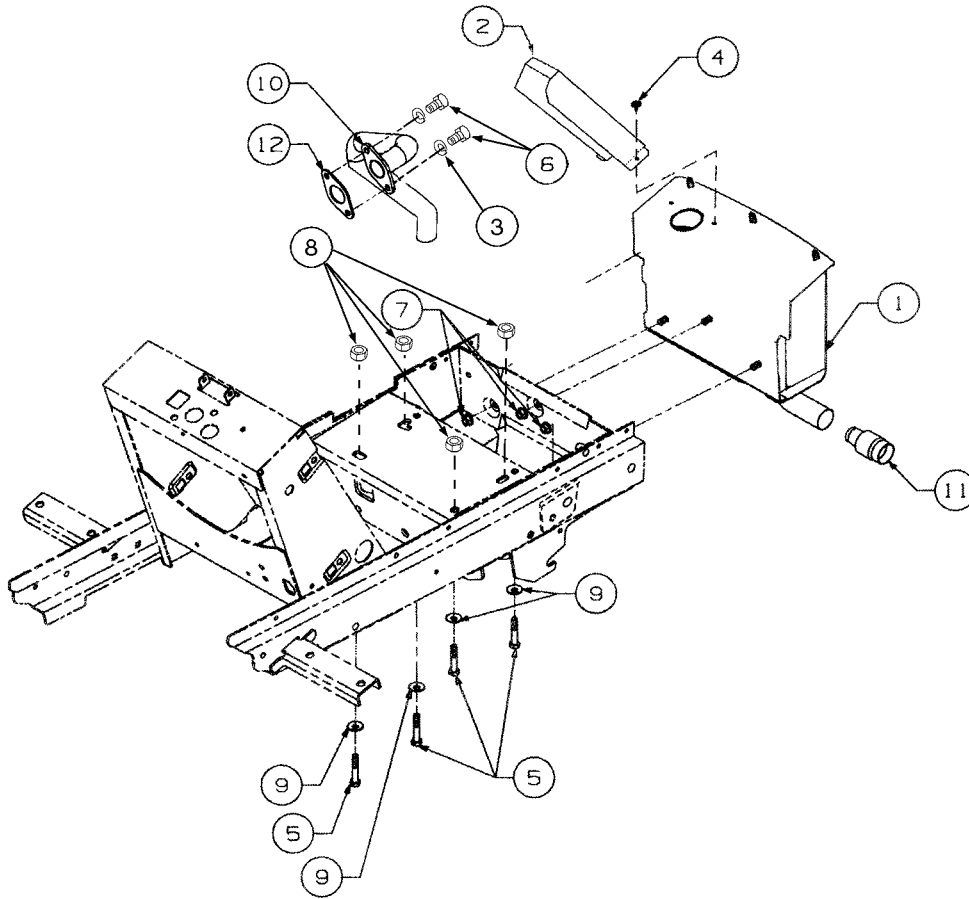
## FUEL TANK



REF. NO.	PART NUMBER	DESCRIPTION	QTY.
1	722-3020	Foam, 1.25 Sq x .62 Thk	AR
2	722-3022	Tape, Foam, .625 Wide x .25 Thk	AR
3	726-0205	Clamp, Hose	2
4	759-3330	Line, Fuel, 72" (Shipped In 10ft Length)	1
5	751-3112	Tank, Fuel	1
6	751-3124B	Cap, Fuel	1
†	723-3066	Insulator, Foam Fuel Line	1

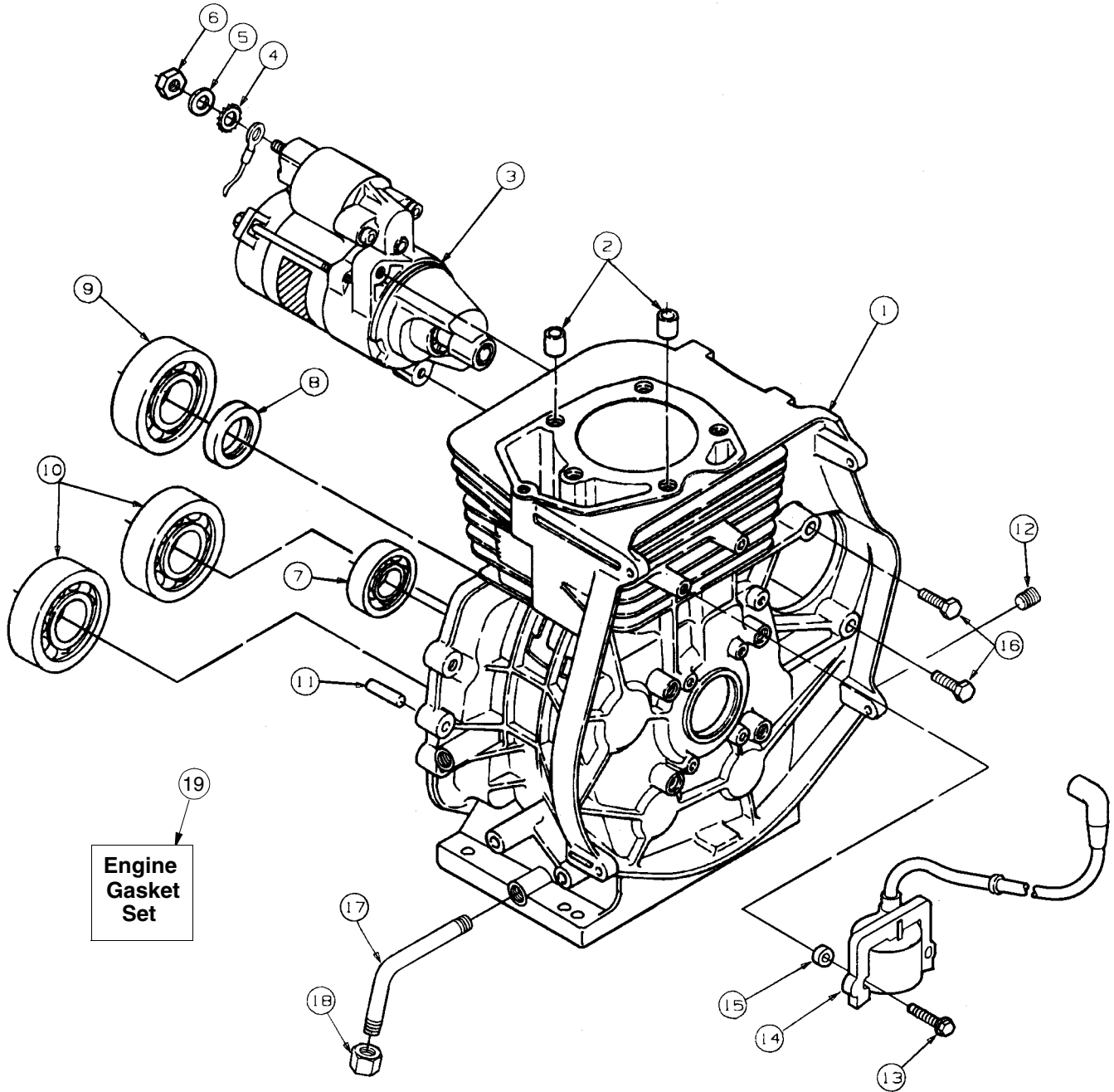
† Not Shown

## ENGINE MOUNTING AND MUFFLER



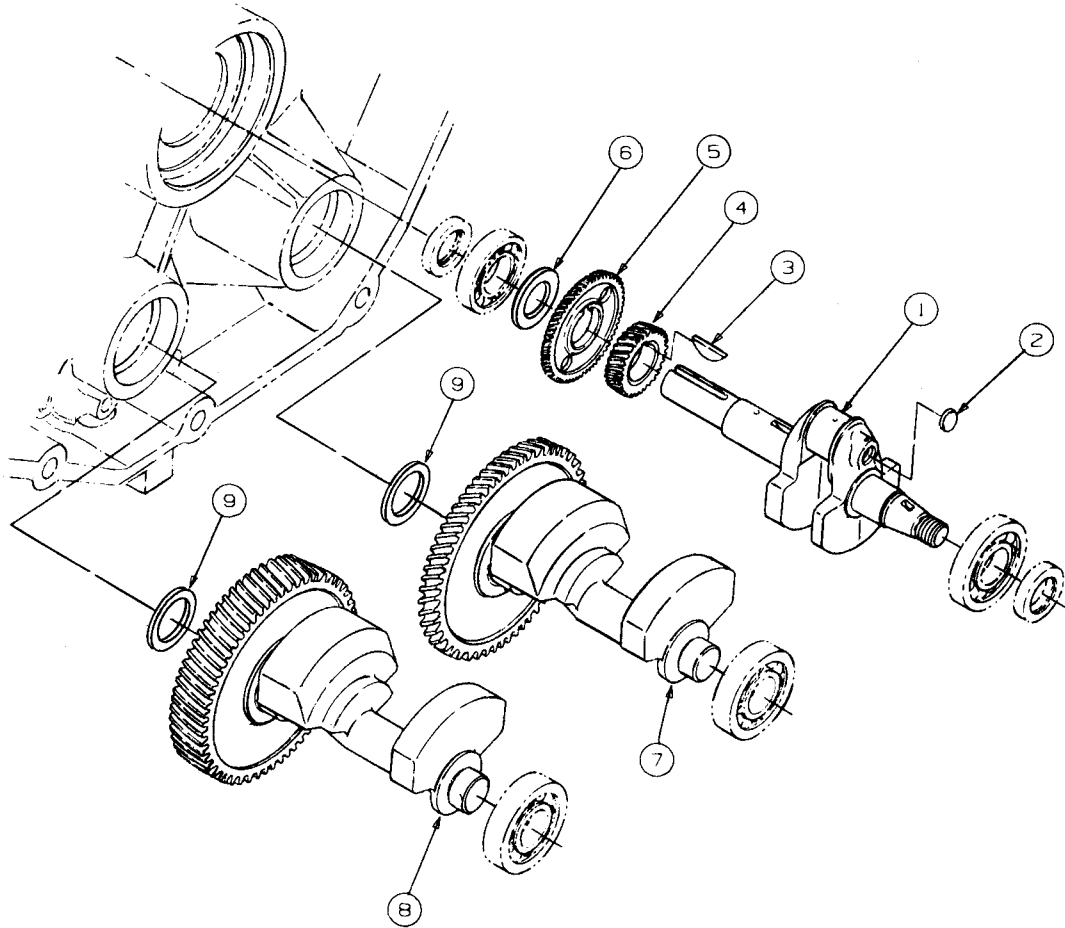
REF. NO.	PART NUMBER	DESCRIPTION	QTY.
1	651-3001	Muffler Assembly	1
2	703-3099	Shield, Muffler Tube	1
3	736-0119	Washer, Lock, 5/16	2
4	710-1268	Screw, Hex Wsh Hd Tap, #10-16 x .38	2
5	710-0539	Bolt, Eng Mount, 3/8-24 x 1.75 GR5	4
6	710-3175	Screw, Hex Hd Cap, M8 x 1.25 x 14	2
7	712-3004A	Nut, Hex Flange Lock, 5/16-18	3
8	712-3054	Nut, Hex Lock, 3/8-24	4
9	736-0105	Washer, Bell, .380 x .88 x .062	4
10	751-0806	Tube, Exhaust	1
11	759-3744	Arrestor, Spark	1
12	ME-155-2378	Gasket, Exhaust	1

## CYLINDER BLOCK



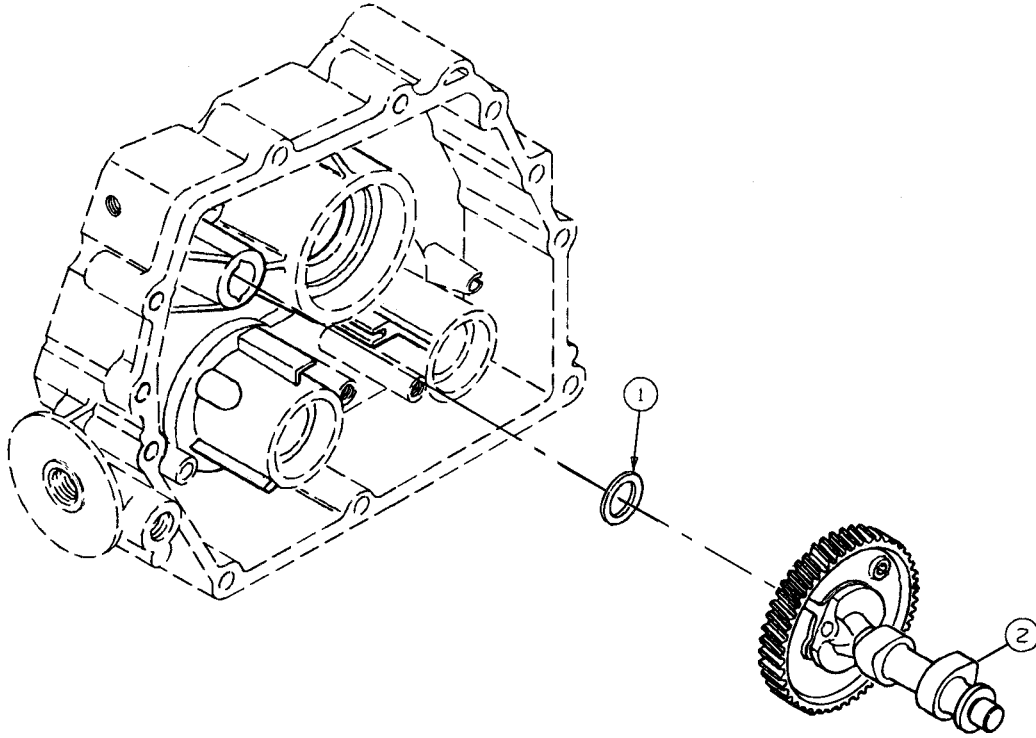
REF. NO.	PART NUMBER	DESCRIPTION	QTY.	REF. NO.	PART NUMBER	DESCRIPTION	QTY.
1	ME-ZX390/11317D	Engine, Complete	1	11	ME-775-0074	Pin, Alignment	2
2	ME-110-3892	Pin, Hollow Dowel	2	12	ME-505-0180	Plug, 1/4 NPT Countersunk Hd	2
3	ME-191-2107	Starter	1	13	ME-823-0003-07	Screw, Pan Head, M6 x 1 x 30	2
4	ME-853-0016	Washer, ET Lock, 5/16	1	14	ME-166-0832	Coil, Ignition	1
5	ME-526-0115	Washer, Flat, 5/16	1	15	ME-166-0837	Spacer, Ignition Coil, M6 x 30	2
6	ME-860-2008	Nut, Hex, M8 x 1.25	1	16	ME-718-1040	Screw, Hex Hd, M8 x 1.25 x 40	2
7	ME-510-0162	Bearing, Camshaft	1	17	751-3132	Pipe, Oil Drain	1
8	ME-509-0258	Seal, Crankshaft Oil	1	18	751-3129	Cap, Oil Drain	1
9	ME-510-0160	Bearing, Crankshaft	1	19	ME-102-1441	Gasket Set, Engine	1
10	ME-510-0163	Bearing, Balancer Shaft	2				

## CRANKSHAFT



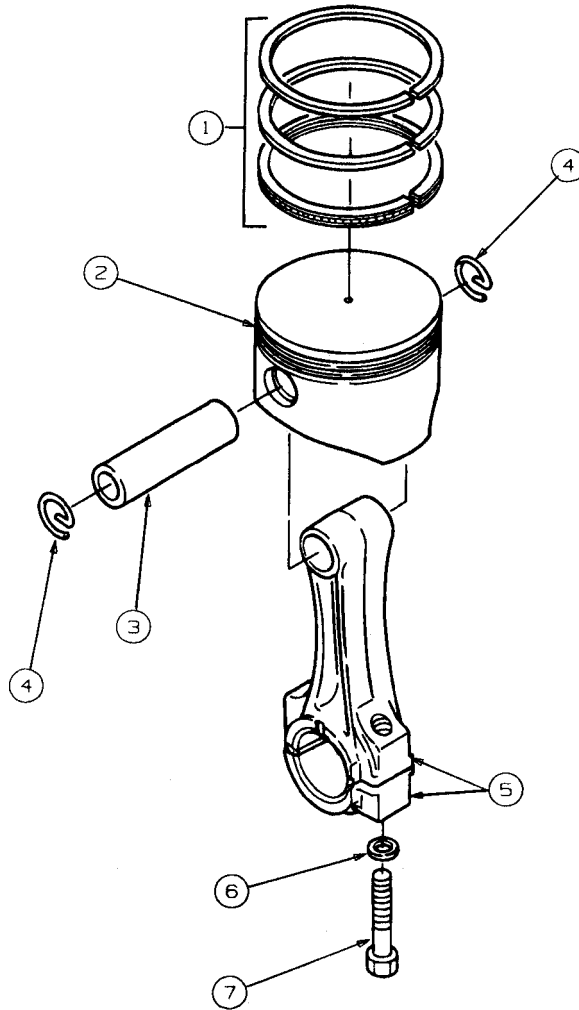
REF. NO.	PART NUMBER	DESCRIPTION	QTY.	REF. NO.	PART NUMBER	DESCRIPTION	QTY.
1	ME-104-1925-04	Crankshaft Assy (Incl Ref #2-5)	1	7	ME-104-1816-04	Shaft Assy, Balancer (Incl Gear)	1
2	ME-104-1718	Plug, Expansion	1	8	ME-104-1816-03	Shaft Assy, Balancer (Incl Gear)	1
3	ME-515-0310	Key, Crankshaft Gear	1	9	ME-104-1809-01	Shim, Balancer Shaft, .5mm	AR
4	ME-104-1856	Gear, Crankshaft	1		ME-104-1809-02	Shim, Balancer Shaft, .6mm	AR
5	ME-104-1855	Gear, Balancer	1		ME-104-1809-03	Shim, Balancer Shaft, .7mm	AR
6	ME-104-1721-01	Shim, Crankshaft, .2mm	AR		ME-104-1809-04	Shim, Balancer Shaft, .8mm	AR
	ME-104-1721-02	Shim, Crankshaft, .3mm	AR		ME-104-1809-05	Shim, Balancer Shaft, .9mm	AR
	ME-104-1721-03	Shim, Crankshaft, .4mm	AR		ME-104-1809-06	Shim, Balancer Shaft, 1.0mm	AR
	ME-104-1721-05	Shim, Crankshaft, .5mm	AR		ME-104-1809-07	Shim, Balancer Shaft, 1.2mm	AR
	ME-104-1721-07	Shim, Crankshaft, .6mm	AR				
	ME-104-1721-08	Shim, Crankshaft, .7mm	AR				

## CAMSHAFT



REF. NO.	PART NUMBER	DESCRIPTION	QTY.
1	ME-105-0649-01	Shim, Camshaft, .5mm	AR
	ME-105-0649-02	Shim, Camshaft, .6mm	AR
	ME-105-0649-03	Shim, Camshaft, .8mm	AR
	ME-105-0649-04	Shim, Camshaft, .9mm	AR
	ME-105-0649-05	Shim, Camshaft, 1.0mm	AR
	ME-105-0649-06	Shim, Camshaft, 1.2mm	AR
2	ME-6000-0115	Camshaft Assy (Includes Camgear)	1

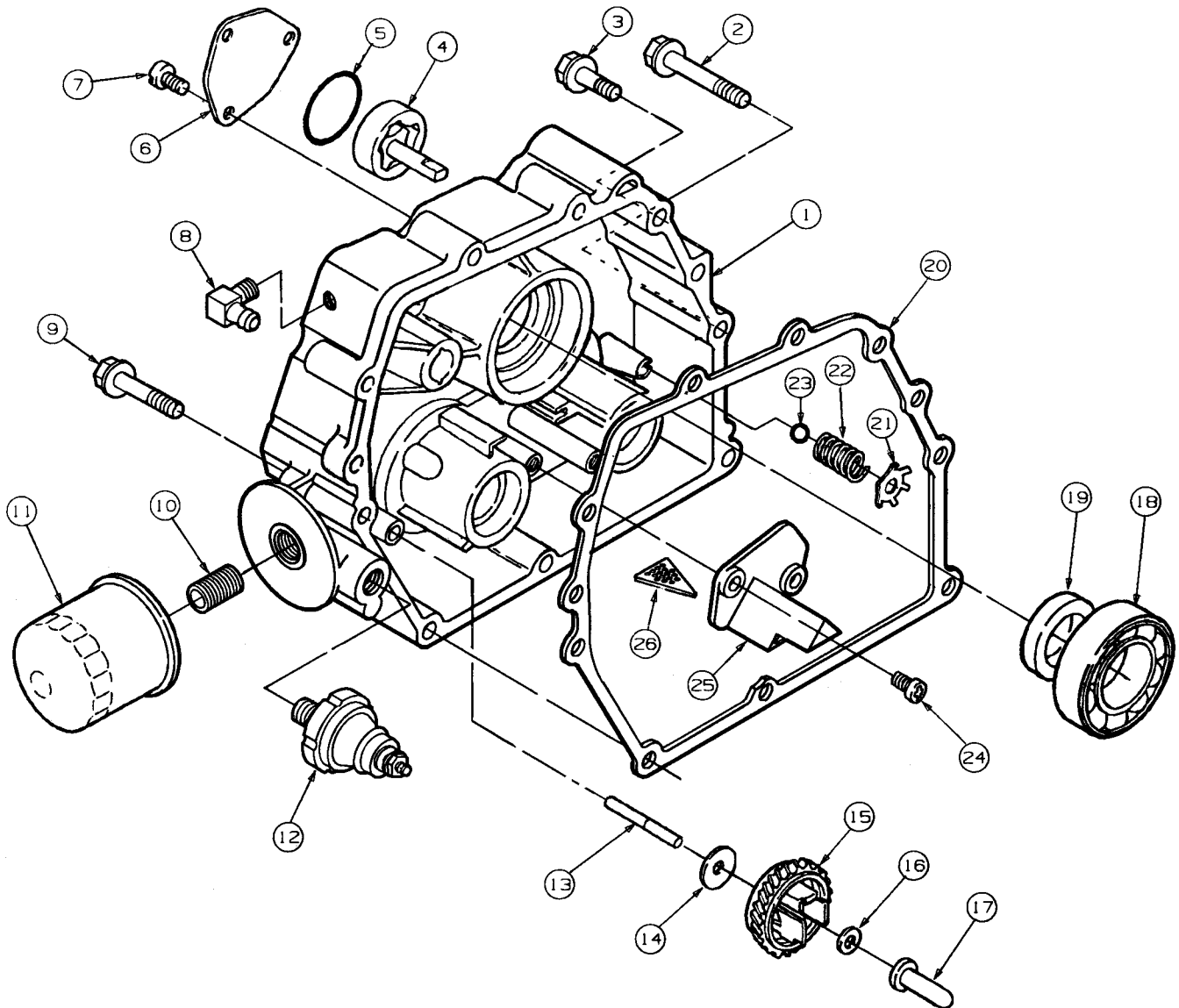
## PISTON



REF. NO.	PART NUMBER	DESCRIPTION	QTY.
1	ME-113-0330	Ring Set, Piston, Std	1
	ME-113-0330-01	Ring Set, Piston, .25 OS	1
	ME-113-0330-02	Ring Set, Piston, .50 OS	1
2	ME-112-0276	Piston, Std (Incl Ref # 1, 3-4)	1
	ME-112-0276-01	Piston, .25 OS	1
	ME-112-0276-02	Piston, .50 OS	1
3	ME-112-0244	Pin, Piston	1
4	ME-112-0245	Ring, Retaining	2
5	ME-114-0357	Rod, Connecting (Includes Bolts)	1
	ME-114-0357-01	Rod, Connecting, .25 Under	1
	ME-114-0357-02	Rod, Connecting, .50 Under	1
6	ME-114-0356	Washer, Connecting Rod	2
7	ME-114-0355	Bolt, Connecting Rod	2

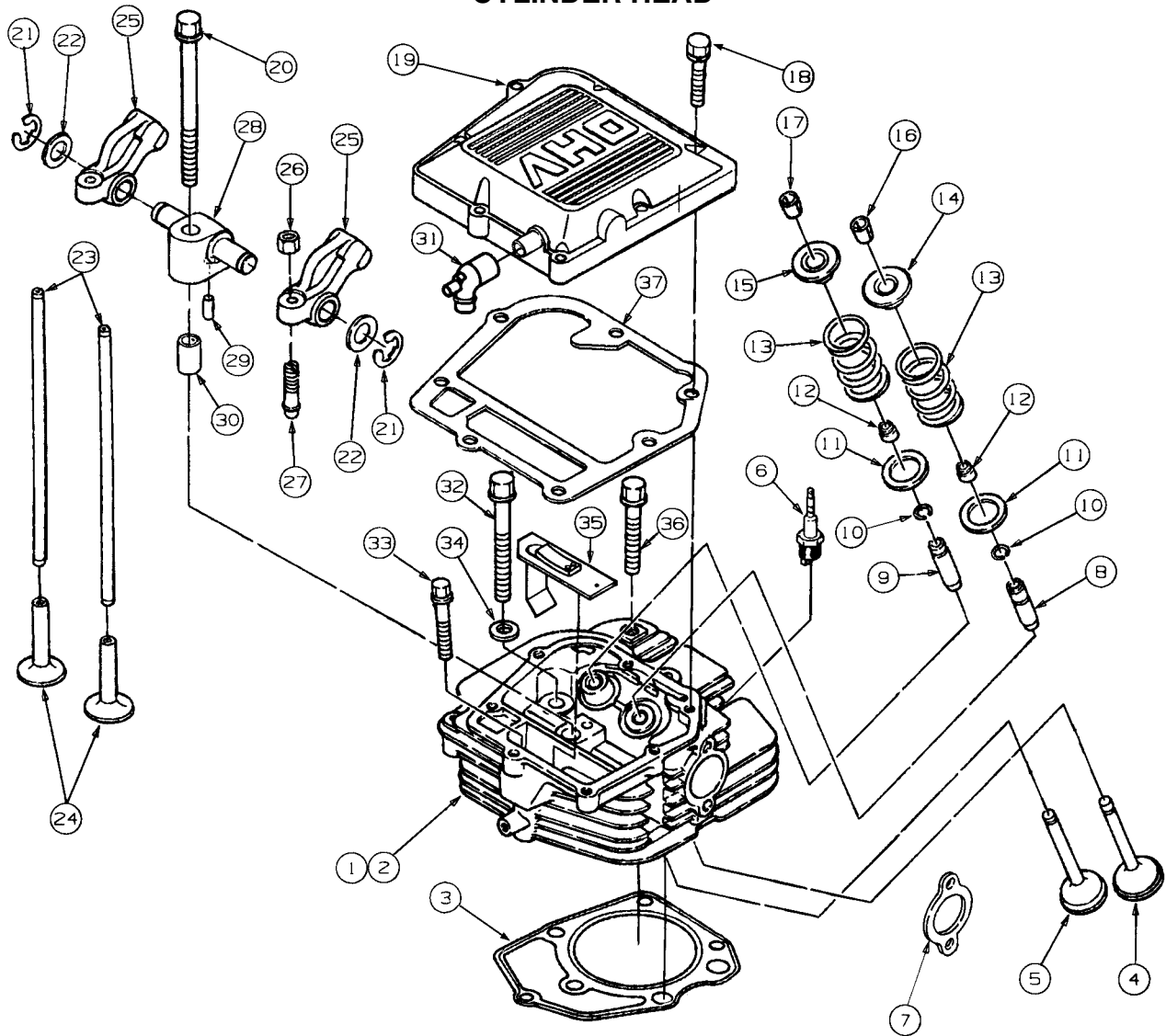


## GEARCASE



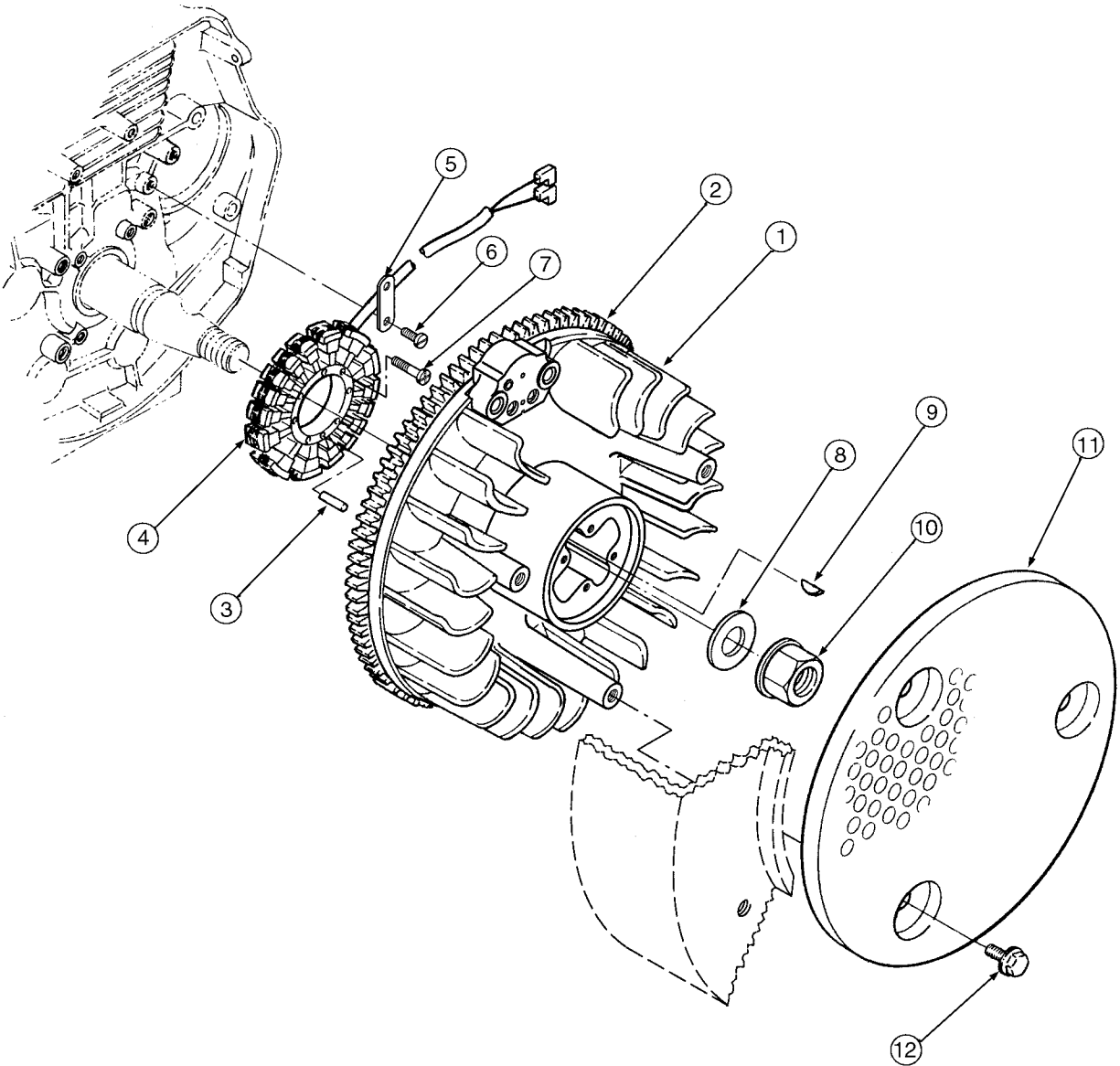
REF. NO.	PART NUMBER	DESCRIPTION	QTY.	REF. NO.	PART NUMBER	DESCRIPTION	QTY.
1	ME-103-0825-03	Gearcase	1	14	ME-526-2078	Washer, Flat, Special	1
2	ME-815-0829-03	Screw, Hex Hd, TT, M8x1.25x 70	1	15	ME-150-2272	Gear, Gov(Incl Shafts & Weights)	1
3	ME-815-0829-01	Screw, Hex Hd, TT, M8x1.25x 35	1	16	ME-150-2547	Retainer, Governor Gear	1
4	ME-120-1313	Oil Pump	1	17	ME-150-2754	Sleeve, Governor	1
5	ME-509-0253	O-Ring	1	18	ME-510-0160	Bearing, Crankshaft	1
6	ME-120-1299-02	Cover, Oil Pump	1	19	ME-509-0258	Seal, Crankshaft Oil	1
7	ME-823-0003-05	Screw, Torx Pan Hd, M6 x 1 x 14	3	20	ME-110-3833	Gasket, Gearcase	1
8	ME-502-0313	Elbow, 90° Hose	1	21	ME-518-0560	Ring, Retaining	1
9	ME-815-0829-02	Screw, Hex Hd TT, M8 x 1.25x 50	7	22	ME-120-0140	Spring, Relief Valve	1
10	ME-122-0737-02	Filter, Oil	1	23	ME-510-0195	Ball, Steel, 7.5mm OD	1
11	ME-122-0475	Adapter, Oil Filter	1	24	ME-823-0003-02	Screw, Torx Pan Hd, M6 x 1 x 14	2
12	ME-309-0615	Switch, Oil Pressure	1	25	ME-120-1295	Tube, Oil Pickup	1
13	ME-775-0069	Shaft, Governor	1	26	ME-120-1298	Screen, Oil Pickup	1

### CYLINDER HEAD



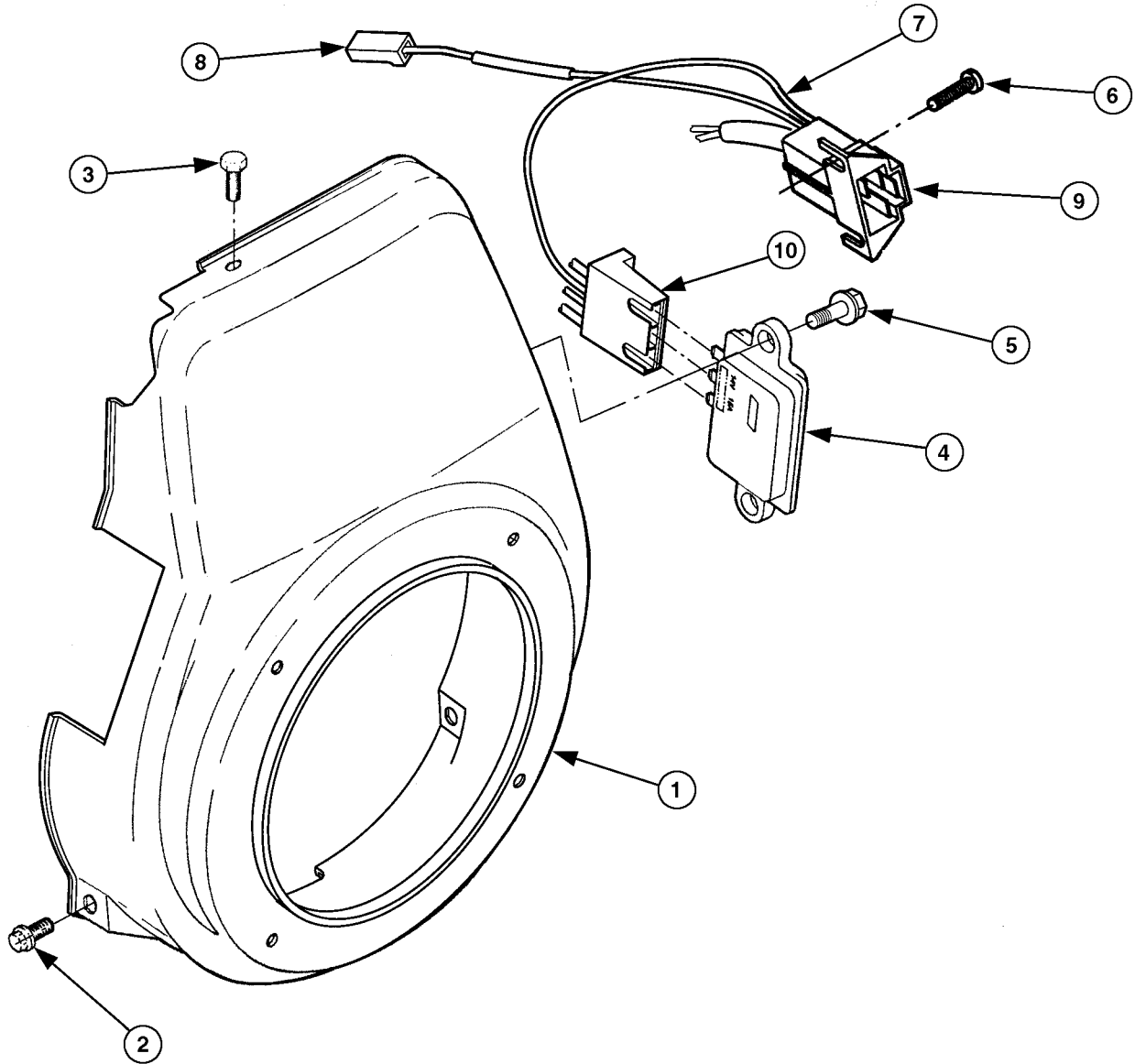
REF. NO.	PART NUMBER	DESCRIPTION	QTY.	REF. NO.	PART NUMBER	DESCRIPTION	QTY.
1	ME-110-3912	Head Assy, Cyl (Incl Ref 2, 4-17)	1	19	ME-110-3863-04	Cover, Valve	1
2	ME-110-3911	Head, Cylinder (Incl Ref 6-10)	1	20	ME-110-3595	Bolt, Cyl. Head, M10 x 1.5 x 125	1
3	ME-110-3591	Gasket, Cylinder Head	1	21	ME-518-0566	Clip, Retainer	2
4	ME-110-3578	Valve, Intake	1	22	ME-115-0473	Washer, Rocker Arm	2
5	ME-110-3579	Valve, Exhaust	1	23	ME-115-0424	Rod, Push	2
6	ME-167-0763-03	Spark Plug	1	24	ME-115-0423	Tappet	2
7	ME-155-2378	Gasket, Exhaust	1	25	ME-115-0426	Arm Assy, Rocker (Incl Ref 26-27)	2
8	ME-110-3693	Guide, Intake Valve	1	26	ME-115-0428	Nut, Lash Adjusting, M7 x .75	2
9	ME-110-3694	Guide, Exhaust Valve	1	27	ME-115-0427	Screw, Lash Adj, M7 x .75 x 18	2
10	ME-110-3580	Ring, Valve Guide	2	28	ME-115-0429	Shaft, Rocker Arm	1
11	ME-110-3587	Washer, Valve Spring	2	29	ME-516-2004	Pin, Dowel	1
12	ME-110-0289	Seal, Intake Valve Stem	1	30	ME-110-3892	Pin, Hollow Dowel	1
	ME-509-0330	Seal, Exhaust Valve Stem	1	31	ME-123-2030	Connector, Breather Tube	1
13	ME-110-3822	Spring, Valve	2	32	ME-110-3594	Bolt, Cyl Head, M10 x 1.5 x 86	2
14	ME-110-3825	Retainer, Intake Valve Spring	1	33	ME-110-3596	Bolt, Cyl Head, M8 x 1.25 x 50	1
15	ME-110-3826	Retainer, Exhaust Valve Spring	1	34	ME-740-1008	Washer, Flat, M10	1
16	ME-110-3827	Lock, Intake Valve	2	35	ME-123-2014	Breather	1
17	ME-110-2752	Lock, Exhaust Valve	2	36	ME-110-3593	Bolt, Cyl Head, M10 x 1.5 x 66	2
18	ME-800-3026	Screw, Hex Flange, M6 x 1 x 25	7	37	ME-110-3830-01	Gasket, Valve Cover	1

## BLOWER WHEEL



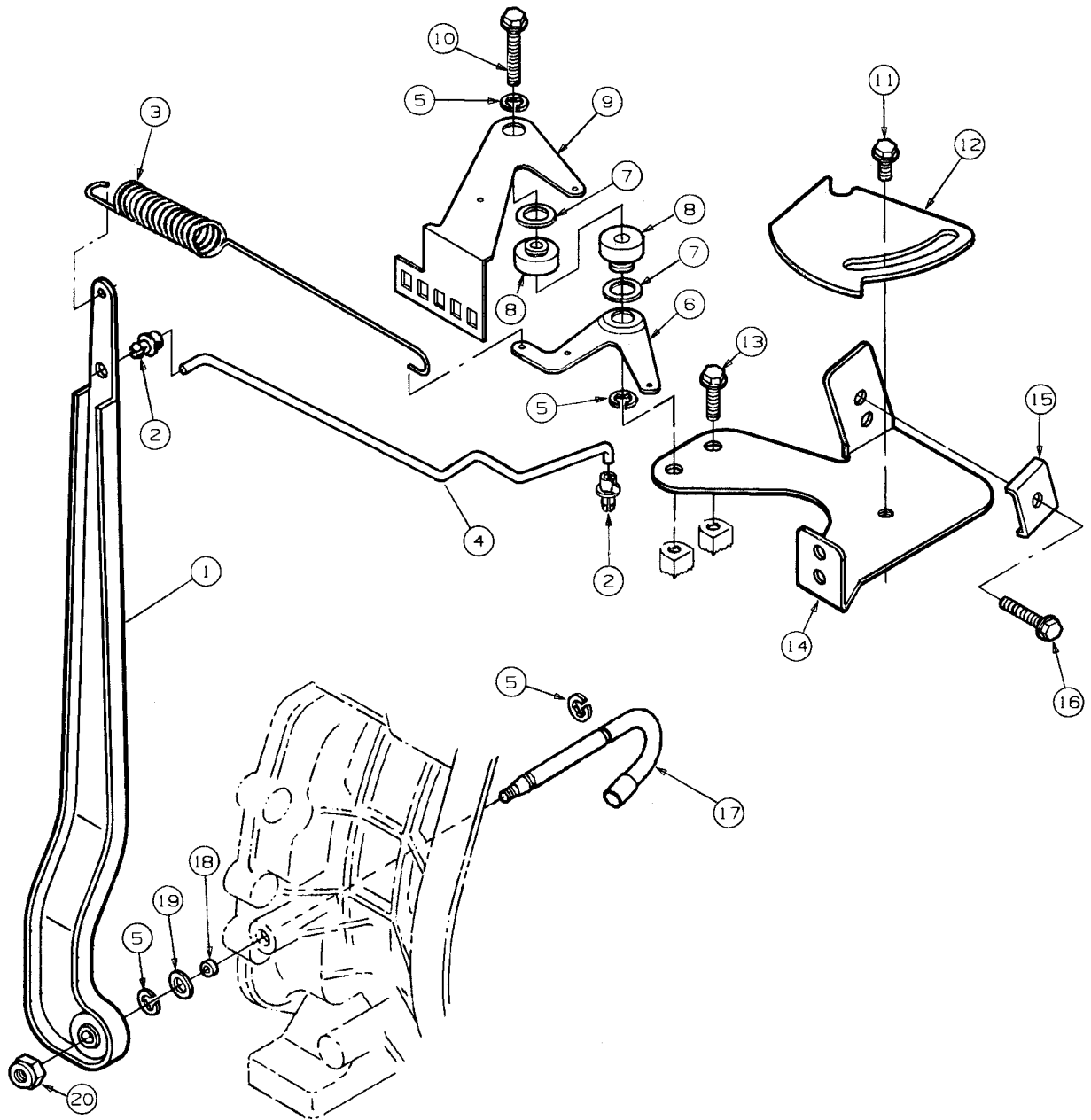
REF. NO.	PART NUMBER	DESCRIPTION	QTY.
1	ME-134-5005-02	Wheel Assy, Blower (Incl Ref 2 & Magnets)	1
2	ME-134-4773	Gear, Ring	1
3	ME-775-0061	Pin, Alignment	2
4	ME-191-1456-04	Stator	1
5	ME-191-1967	Clamp, Cord	1
6	ME-823-0003-02	Screw, Pan Head	2
7	ME-815-0638-01	Screw, Button Head Machine, M6 x 1 x 20	2
8	ME-526-0405	Washer, Flat, M18	1
9	ME-515-0295	Key	1
10	ME-870-2060	Nut, Flange, M18 x 1.5	1
11	ME-134-5006-02	Screen, Chaff	1
12	ME-718-1017	Screw, Hex Hd Cap, M6 x 1 x 10	1

# BLOWER HOUSING



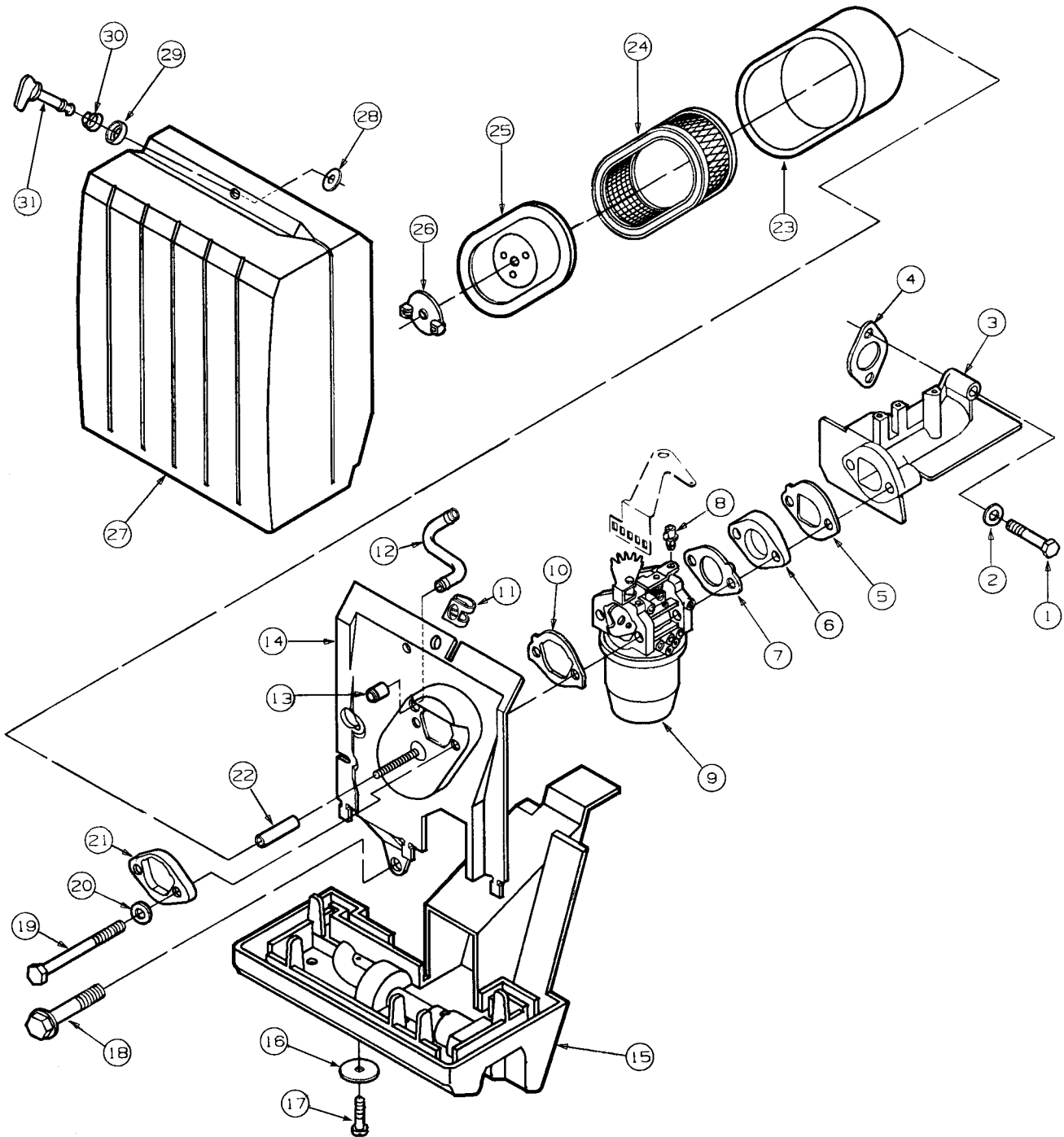
REF. NO.	PART NUMBER	DESCRIPTION	QTY.
1	ME-134-5024-03	Housing, BLower	1
2	ME-821-2033	Screw, Hex Washer Lock, M6 x 1 x 16	3
3	ME-815-0753	Bolt, Hex Hd Cap, M6 x 14	1
4	ME-191-2207	Regulator, Voltage (VR1)	1
5	ME-815-0474	Screw, Hx Hd Sheet Metal, 1/4-14 x .5	2
6	ME-823-0002-04	Screw, Pan Hd Torx, M4 x .7 x 12	1
7	ME-338-3177	Harness, Engine (Incl Ref #8-10)	1
8	ME-323-1216	Housing, Receptacle	1
9	ME-323-1604	Connector	1
10	ME-323-1585	Body, Connector	1

## GOVERNOR



REF. NO.	PART NUMBER	DESCRIPTION	QTY.	REF. NO.	PART NUMBER	DESCRIPTION	QTY.
1	ME-150-2660-02	Lever, Governor	1	11	ME-815-0793-02	Screw, Hex Flange, M5 x .8 x 10	1
2	ME-152-0343	Clip, Link	2	12	ME-152-0345-03	Bracket, Throttle Stop	1
3	ME-150-2542	Spring, Governor	1	13	ME-815-0793-04	Screw, Hex Flange, M5 x .8 x 16	1
4	ME-152-0332	Link, Throttle	1	14	ME-152-0344-03	Bracket, Throttle Lever	1
5	ME-518-0576	Circlip	4	15	ME-153-0633-01	Clamp, Cable	1
6	ME-152-0346-03	Lever, Control	1	16	ME-815-0359	Screw, Hx Hd TT #10-32 x 7/8	1
7	ME-851-0042	Washer, Wave Spring, M5	2	17	ME-150-2529	Shaft, Governor Lever	1
8	ME-145-0697	Pivot, Lever	2	18	ME-509-0255	Seal, Governor Shaft Lever	1
9	ME-153-0663-03	Lever, Choke	1	19	ME-740-1006	Washer, Flat, M8	1
10	ME-815-0793-07	Screw, Hex Flange, M5 x .8 x 30	1	20	ME-870-0506	Nut, Nylon Lock	1

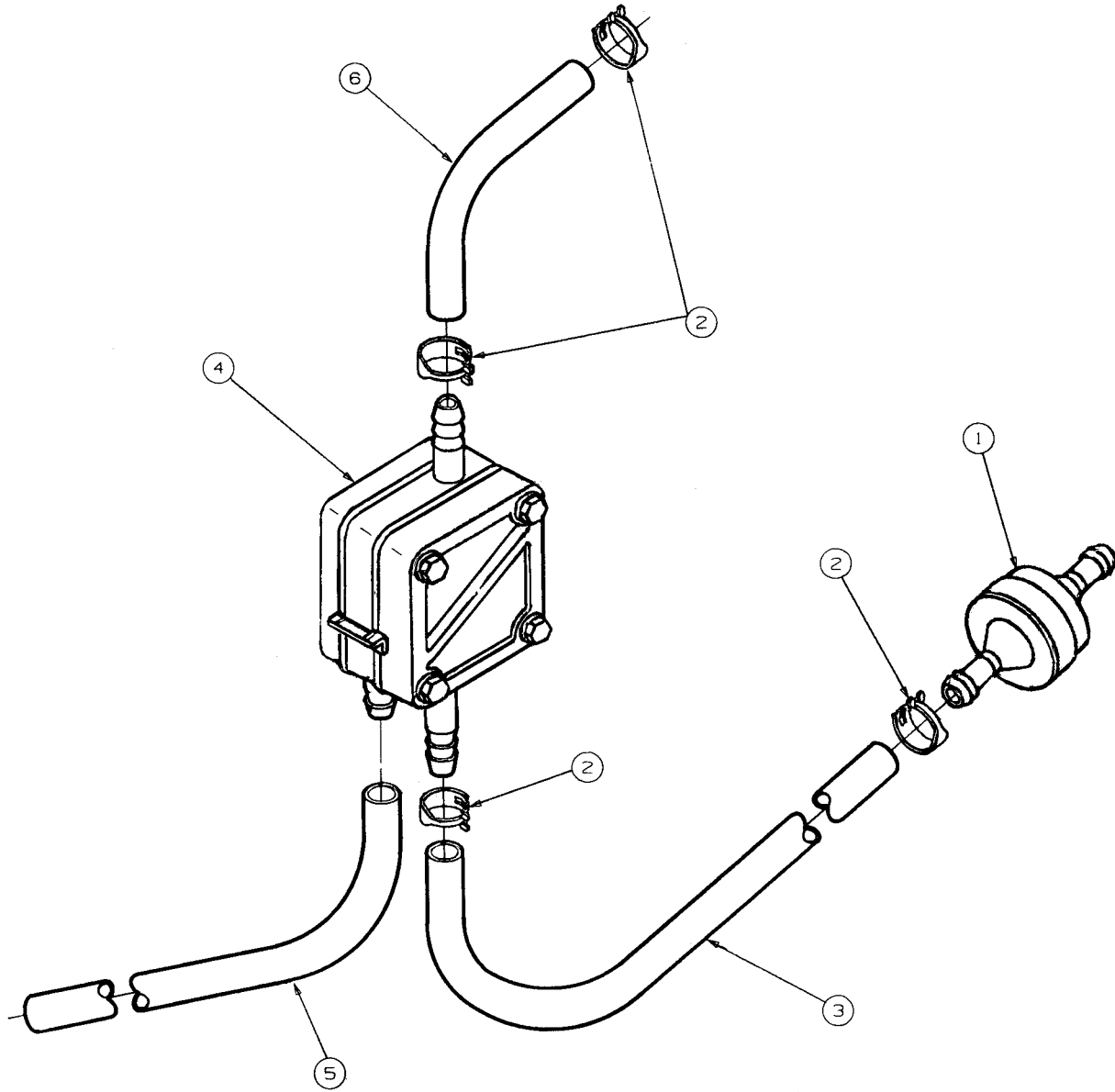
# CARBURETOR



## CARBURETOR

REF. NO.	PART NUMBER	DESCRIPTION	QTY.
1	ME-800-2063	Screw, Hx Hd Cap, M8 x 1.25 x 50	2
2	ME-526-0115	Washer, Flat, M8	2
3	ME-154-2871	Elbow, Intake	1
4	ME-146-0584-01	Gasket, Intake	1
5	ME-146-0599	Gasket, Insulator	1
6	ME-146-0532	Insulator, Carburetor	1
7	ME-146-0600	Gasket, Insulator	1
8	ME-152-0343	Clip, Link	1
9	ME-146-0701	Carburetor, (Incl Ref #7 & 10)	1
10	ME-140-2771	Gasket, Air Cleaner	1
11	ME-406-0747	Receptacle, Fastener	1
12	ME-123-2031	Tube, Breather	1
13	ME-508-1094	Grommet	1
14	ME-140-2765-02	Pan Assembly, Air Cleaner	1
15	ME-140-2999	Duck, Air Inlet	1
16	ME-526-0408	Washer, Fender	1
17	ME-815-0527	Screw, Pan Hd TT, #10-16 x .5	1
18	ME-815-0829-04	Screw, Hx Hd TT, M8 x 1.25 x 16	1
19	ME-815-0816-01	Screw, Hx Hd TT, M6 x 1 x 90	2
20	ME-740-1004	Washer, Flat, M6	2
21	ME-745-0694	Support, Carburetor	1
22	ME-140-2536-05	Seal, Air Cleaner Spacer, .625	1
23	ME-140-2748-01	Wrapper, Air Filter	1
24	ME-140-3010	Filter, Air	1
25	ME-140-2674-01	Cover, Air Filter	1
26	ME-865-0029	Nut, Wing, 1/4-20	1
27	ME-140-2749	Cover, Air Cleaner	1
28	ME-406-0749	Washer, Nylon	1
29	ME-406-0750	Retainer	1
30	ME-406-0751	Spring	1
31	ME-406-0748	Fastener, 1/4 Turn	1

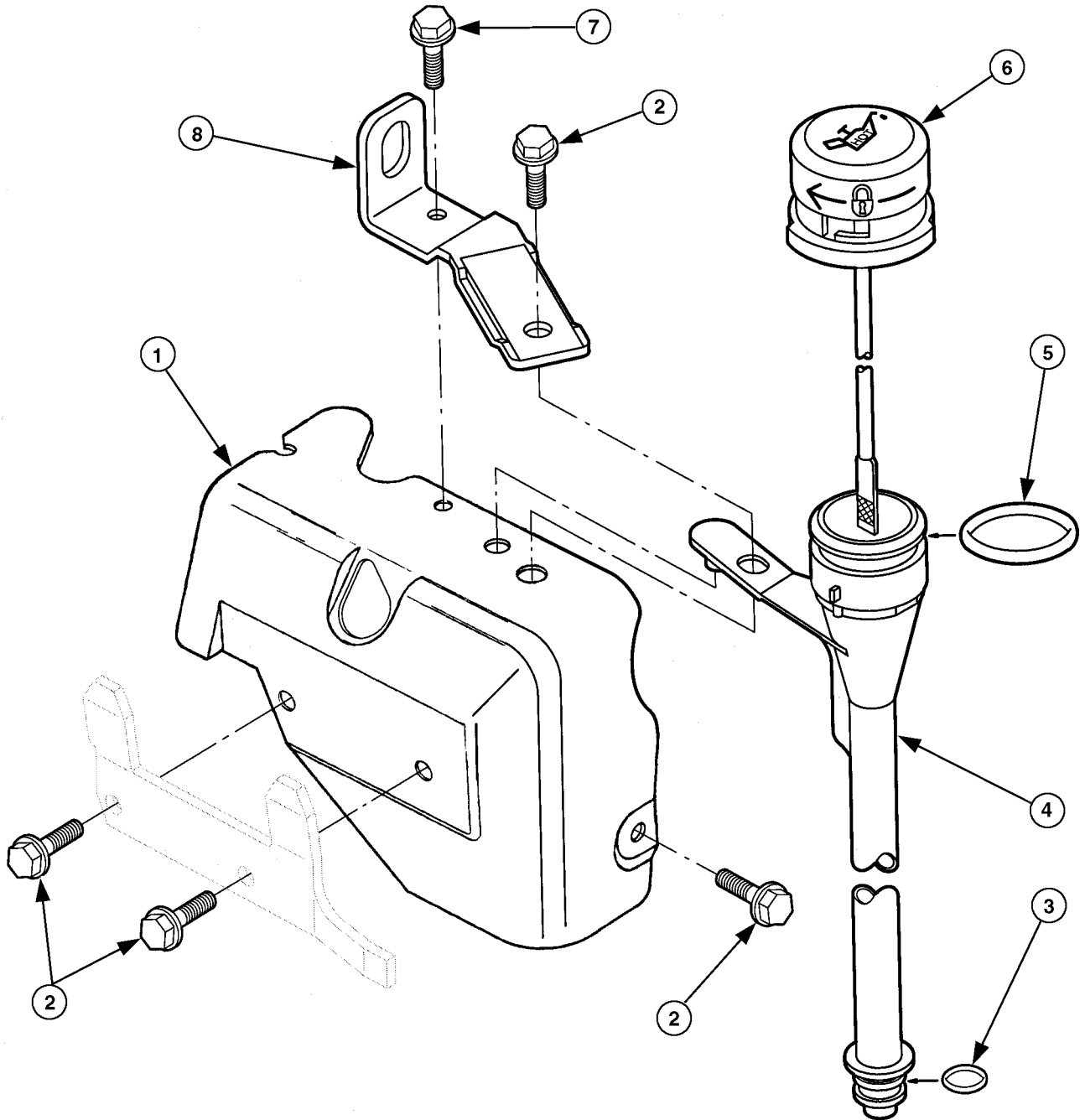
### FUEL PUMP



REF. NO.	PART NUMBER	DESCRIPTION	QTY.
1	ME-149-2356	Filter, Fuel	1
2	ME-503-0731	Clamp, Hose	4
3	ME-503-1418	Hose, Bulk Fuel (1/4 x 230mm)	1
4	ME-149-2387	Pump, Fuel	1
5	ME-503-1418	Hose, Bulk Fuel, Pulse Line, 1/4 x 116mm	1
6	ME-503-1418	Hose, Bulk Fuel, Outlet, 1/4 x 54mm	1

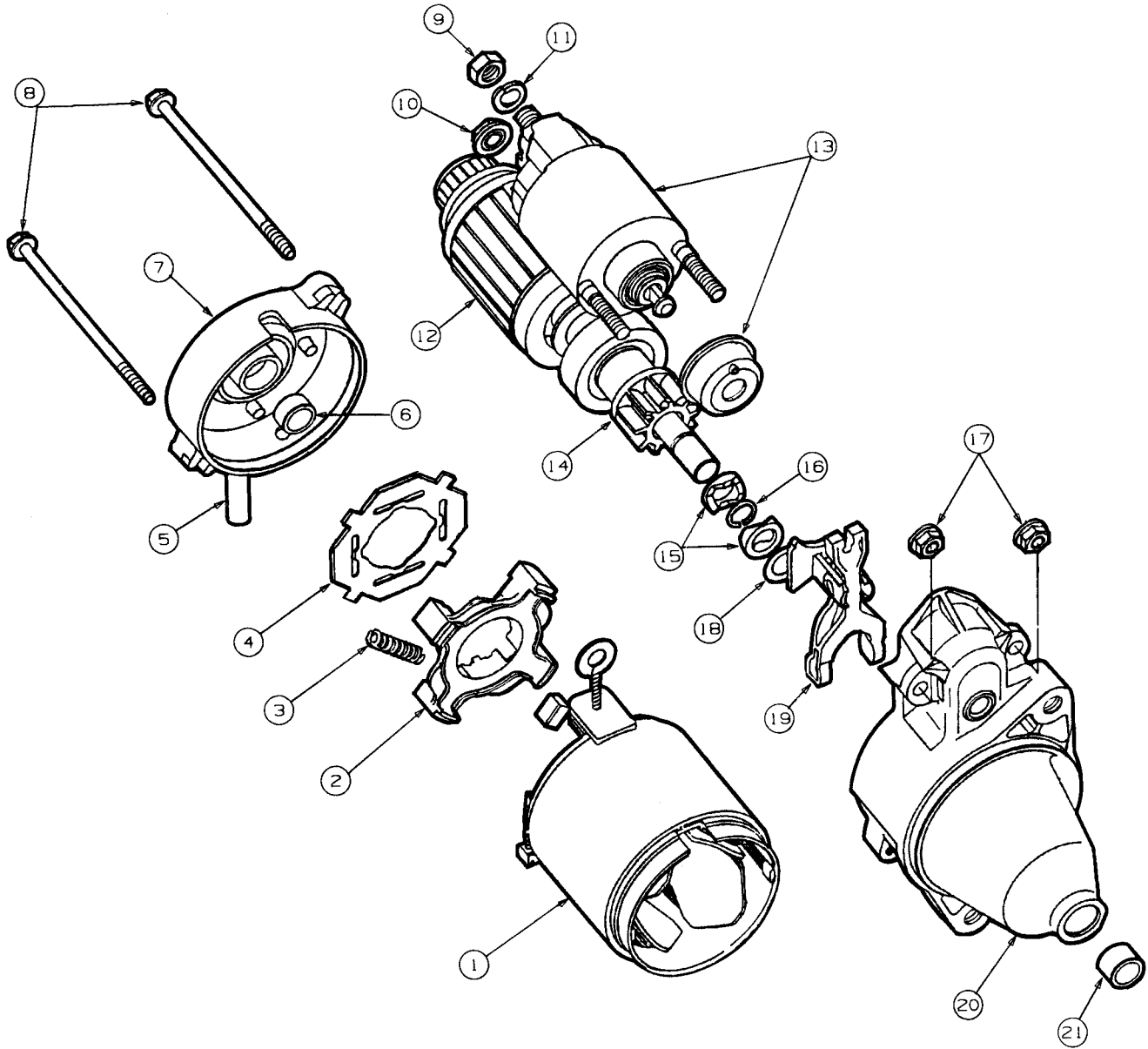


### AIR CYLINDER HOUSING



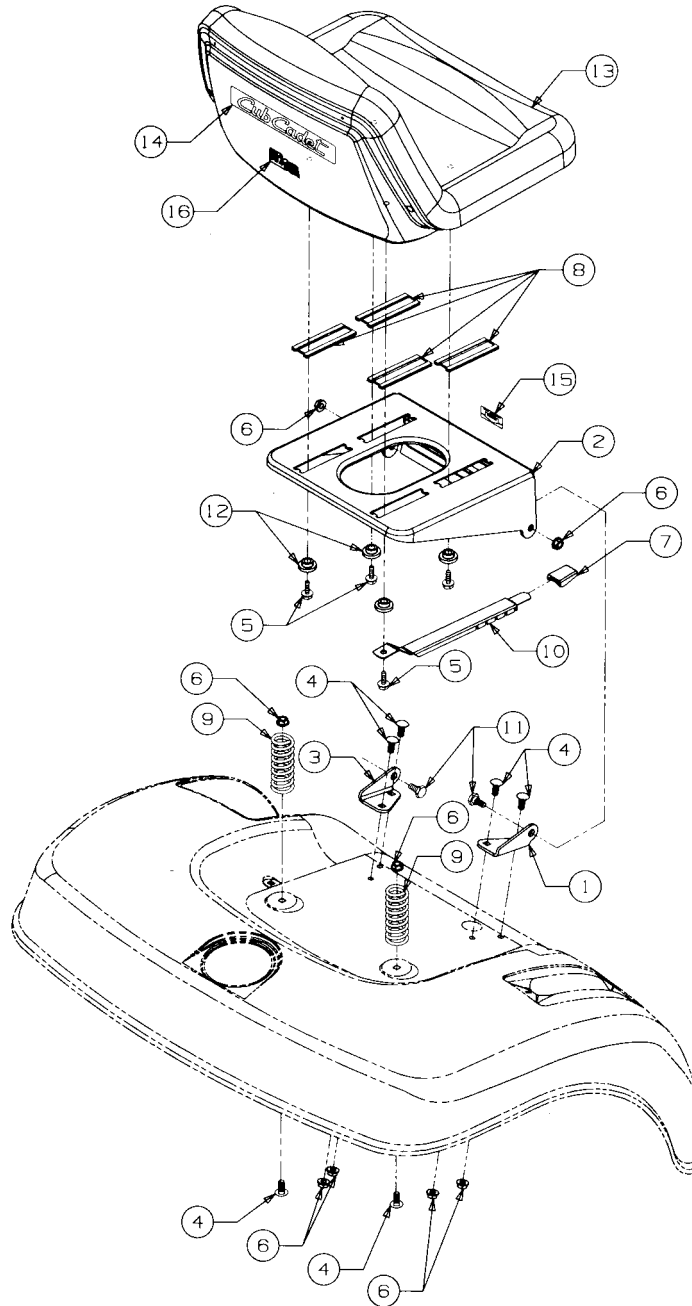
REF. NO.	PART NUMBER	DESCRIPTION	QTY.
1	ME-134-4991-02	Housing, Air Cylinder	1
2	ME-815-0829-04	Screw, Hx Hd TT, M8 x 1.25 x 16	4
3	ME-509-0324	O-Ring, Lower	1
4	ME-123-1970	Tube, Oil Fill	1
5	ME-509-0304	O-Ring, Upper	1
6	ME-123-1972-01	Indicator and Cap Ass'y.	1
7	ME-821-2033	Screw, Hx Flange Lock, M6 x 1 x 16	1
8	ME-403-3632-02	Bracket, Lift	1

### STARTER COMPONENTS



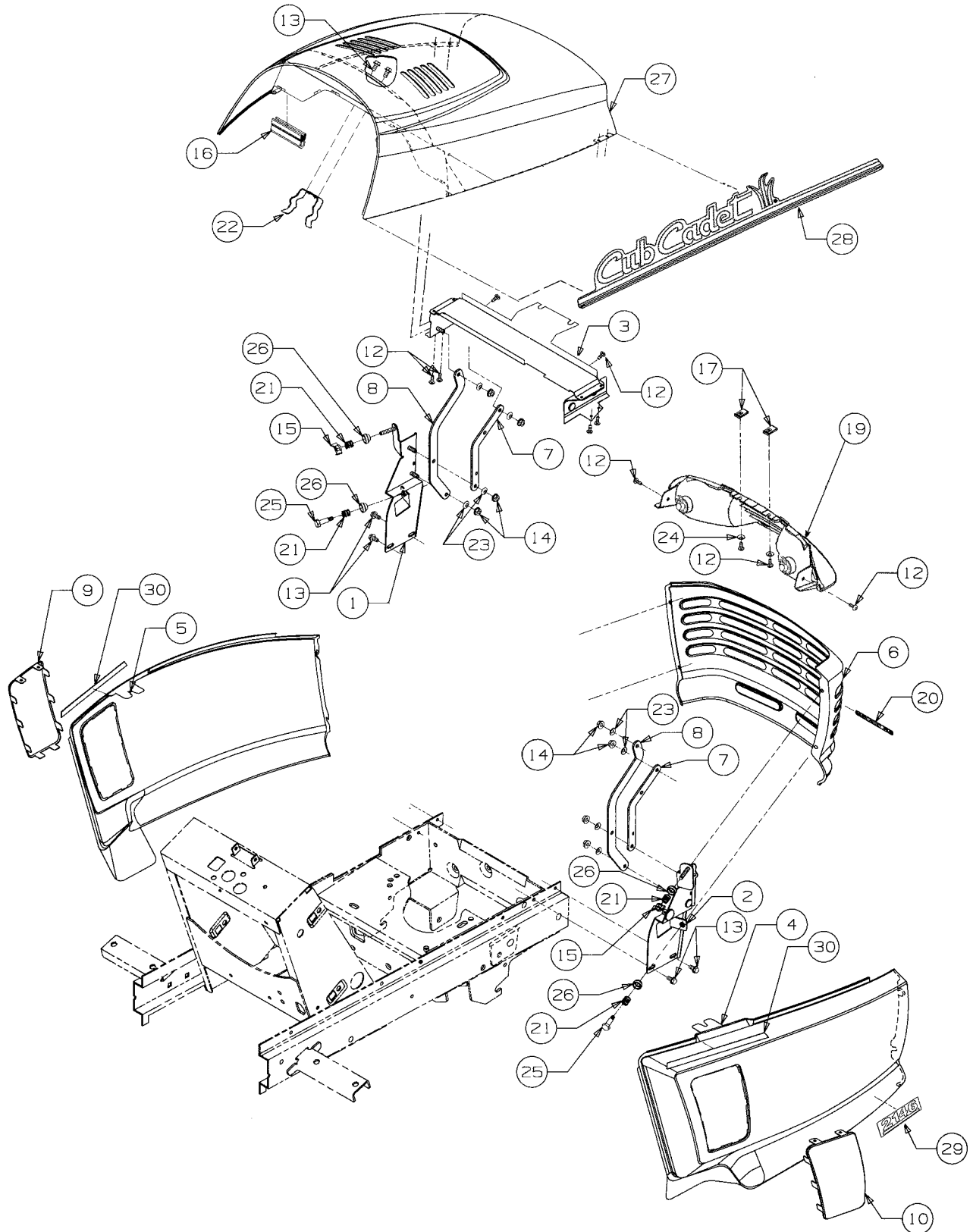
REF. NO.	PART NUMBER	DESCRIPTION	QTY.	REF. NO.	PART NUMBER	DESCRIPTION	QTY.
1	ME-185-2659	Frame, Starter	1	12	ME-185-6381	Armature, Starter	1
2	ME-185-2661	Holder, Brush	1	13	ME-185-2658	Switch, Magnetic	1
3	ME-185-2662	Spring, Brush	4	14	ME-185-6382	Clutch	1
4	ME-185-2664	Insulator	1	15	ME-185-6385	Nut, Pinion Stop	2
5	ME-185-2965	Hose, Drain	1	16	ME-185-6386	Ring, Snap	1
6	ME-185-263	Bearing, Oilless	1	17	ME-185-2334	Nut	2
7	ME-185-6383	Frame Assy, End (Incl. Ref #6)	1	18	ME-185-6387	Washer, Plate	1
8	ME-185-2660	Bolt, Through	2	19	ME-185-2656	Lever, Starter Drive	1
9	ME-185-2367	Nut	1	20	ME-185-2706	Housing, Starter	1
10	ME-870-0465	Nut	1	21	ME-185-6384	Bearing, Oilless	1
11	ME-185-2381	Washer, Spring	1		ME-191-2107	Starter Assembly	1

## SEAT AND SUPPORT



REF. NO.	PART NUMBER	DESCRIPTION	QTY.	REF. NO.	PART NUMBER	DESCRIPTION	QTY.
1	703-2394	Bracket, RH Seat Pivot	1	9	732-3080	Spring, Compression, 1.9 OD x 2.4 Lg	2
2	703-2395	Seat, Base	1	10	732-3098	Adjuster, Seat	1
3	703-2477	Bracket, LH Seat Pivot	1	11	738-0140	Bolt, Shoulder	2
4	710-0451	Bolt, Carriage, 5/16-18 x .75	6	12	738-0372	Spacer, Shoulder	4
5	710-1260	Screw, Hex Wsh Hd Tap, 5-16-18 x .75	4	13	757-3003	Seat, Medium Back	1
6	712-3004A	Nut, Hex Flange Lock, 5/16-18	8	14	777D03267	Graphic, Seat Back	1
7	720-0190	Knob, Seat Adjuster	1	15	777I20310	Graphic, Seat Adjuster	1
8	731-3154	Slide, Seat	4	16	777D01782	Graphic, Made in USA	1

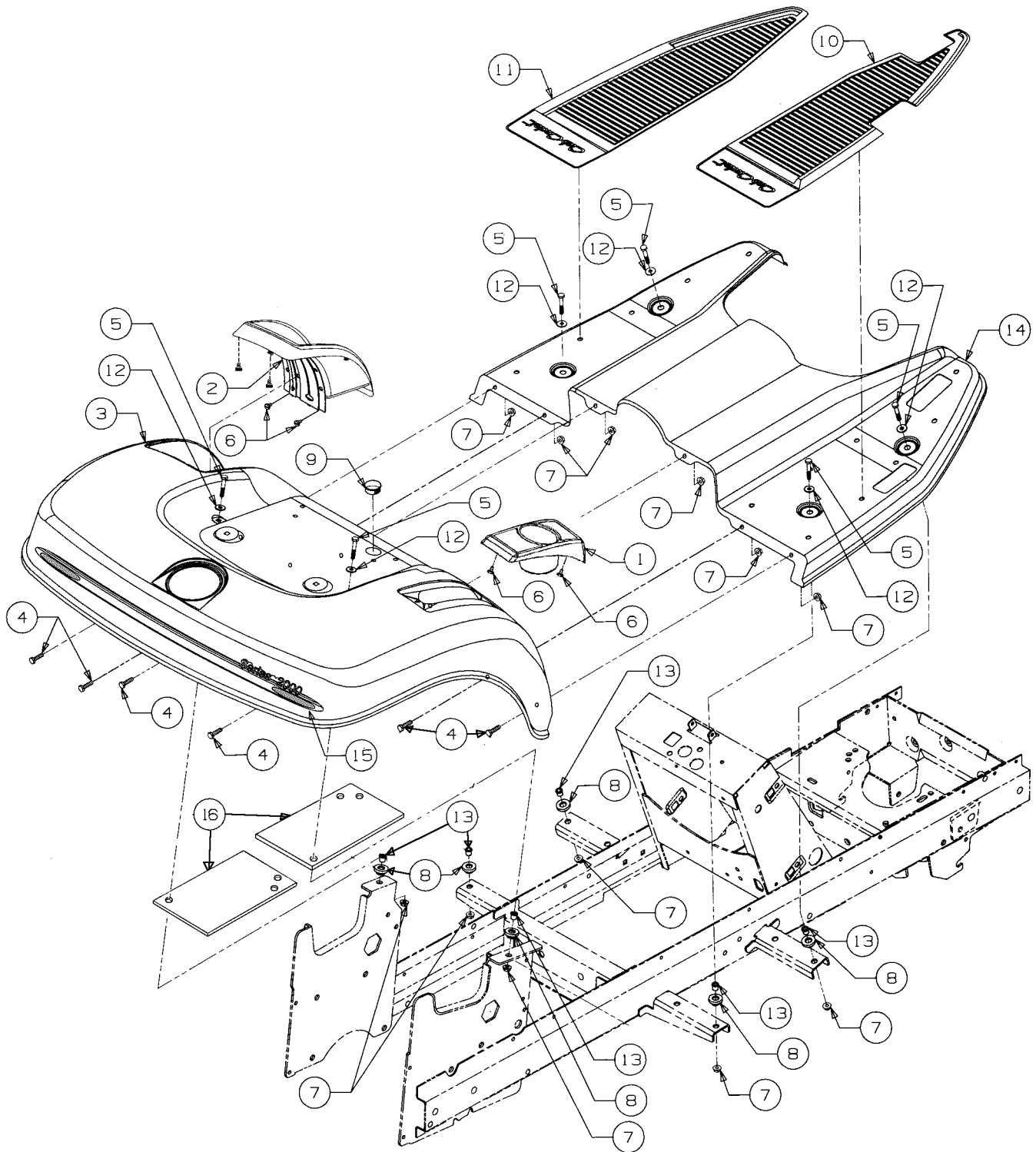
# GRILLE, HOOD AND SIDE PANELS



## GRILLE, HOOD AND SIDE PANELS

REF. NO.	PART NUMBER	DESCRIPTION	QTY.
1	603-0211	Bracket, Grille LH	1
2	603-0212	Bracket, Grille RH	1
3	603-0583	Bracket, Upper Hood	1
4	703-2396	Panel, RH Side	1
5	703-2397	Panel, LH Side	1
6	703-2398	Grille	1
7	703-2465	Link, Short Hood	2
8	703-2466A	Link, Long Hood	2
9	703-2495	Screen, LH Panel	1
10	703-2496	Screen, RH Panel	1
12	710-0351	Screw, Truss Mach Tapp, #10 x .50	8
13	710-0599	Screw, Hex Wash Hd Tapp, 1/4 x .50	6
14	712-3027	Nut, Hex Flange Lock, 1/4-20	8
15	712-3087	Nut, Wing, 1/4-20	2
16	723-3059	Seal, Heat Baffle	1
17	726-0139	Nut, U-Type Speed, #10	2
19	625-0053	Headlight Assy (Includes Lamp and Socket)	1
	725-0963	Lamp, 12V	2
	725-1649	Socket, Lamp	2
20	777I20314	Graphic, Warning HOT	1
21	732-0334	Spring, Compression, .50 OD x .50 Lg	4
22	732-0855	Spring, Hood Latch	1
23	736-0175	Washer, Spring, .265 x .562 x .025	8
24	736-0400	Washer, Flat, .218 x .62 x .063	2
25	738-3141	Bolt, Shoulder, .31 Dia x .75 Lg	2
26	748-3055	Bushing, Tapered	4
27	759-3747	Hood, Series 2000	1
28	777D03263	Graphic, Hood RH	1
	777D03264	Graphic, Hood LH	1
29	777D03291	Graphic, 2164	2
30	777X40079	Strip, Protective	2

# FENDER AND RUNNING BOARD

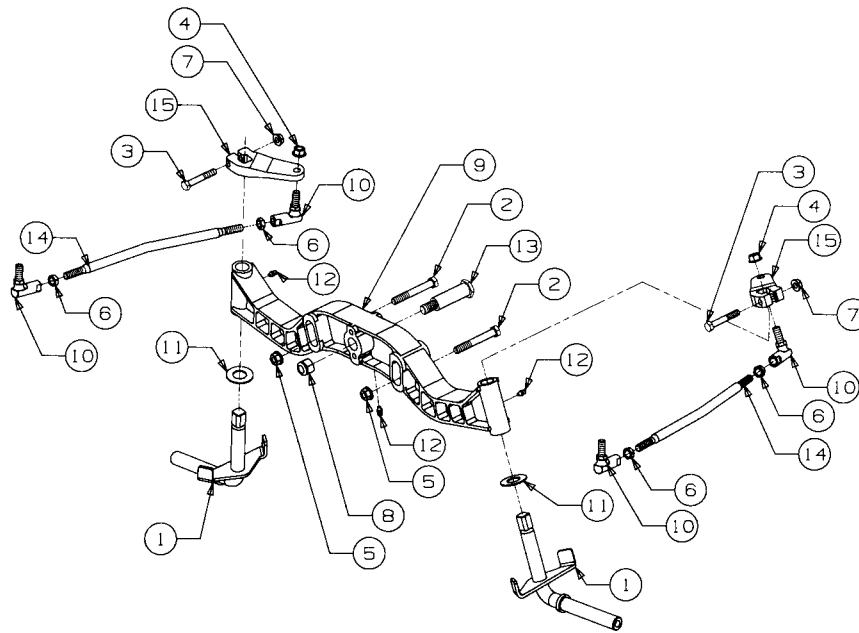


---

## FENDER AND RUNNING BOARD

REF. NO.	PART NUMBER	DESCRIPTION	QTY.
1	731-3212	Cup Holder	1
2	631-3002	Cover, Implement Lift	1
3	703-2278B	Fender	1
4	710-0751	Screw, Hex Cap, 1/4-20 x .62	6
5	710-0597	Screw, Hex Cap, 1/4-20 x 1.0	6
6	710-1268	Screw, Hex Tapp, #10 x .38 Lg	6
7	712-3027	Nut, Hex Flange Lock, 1/4-20	12
8	722-0258	Grommet, Insolater	6
9	723-3042	Bushing, Snap, 7/8 ID	1
10	735-3046A	Pad, RH Foot	1
11	735-3047	Pad, LH Foot	1
12	736-3090	Washer, Flat, .255 x .72 x .06	6
13	750-3169	Spacer, .28 ID x .40 OD x .42 Lg	6
14	759-3737	Running Board w/Graphic	1
	777S30170	Graphic, Warning	1
15	777D00430	Graphic, Rear Fender	1
16	703-2628	Bracket, Fender Reinforcement	2

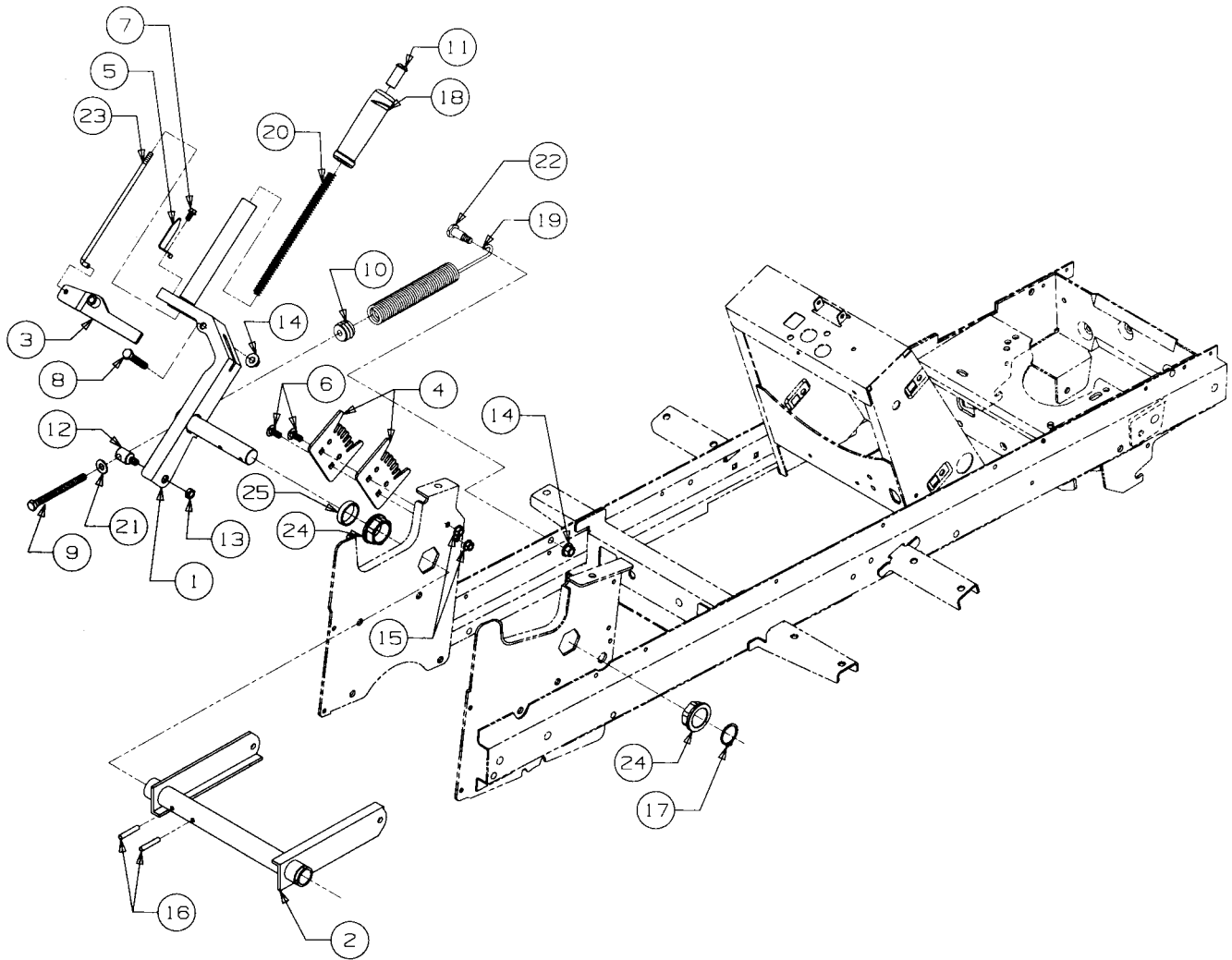
## FRONT AXLE AND CONNECTIONS



REF. NO.	PART NUMBER	DESCRIPTION	QTY.
1	603-0066	Knuckle Assembly, Steering	2
2	710-3066	Screw, Hex Cap, 3/8-16 x 2.75 GR8	2
3	710-3103	Screw, Hex Cap, 5/16-18 x 2 GR5	2
4	712-3054	Nut, Hex Lock, 3/8-24 GR5	2
5	712-0431	Nut, Hex Flanged Lock, 3/8-16	2
6	712-3001	Nut, Hex Jam, 3/8-24 GR5	4
7	712-3004A	Nut, Hex Flange Top Lock, 5/16-18	2
8	712-3083	Nut, Hex Top Nylon Lock, 1/2-13	1
9	719-3095	Axle, Front Pivot	1
10	723-0156	Joint, Ball, 3/8-24	4
11	736-0188	Washer, Flat, .760 x 1.49 x .06 Thk.	2
12	737-3000	Fitting, Lube, 3/16 Drive Type	3
13	738-3110	Bolt, Pivot Shoulder, 3/4 Dia x 2.23	1
14	747-3171	Rod, Tie	2
15	748-3049	Arm, Steering	2

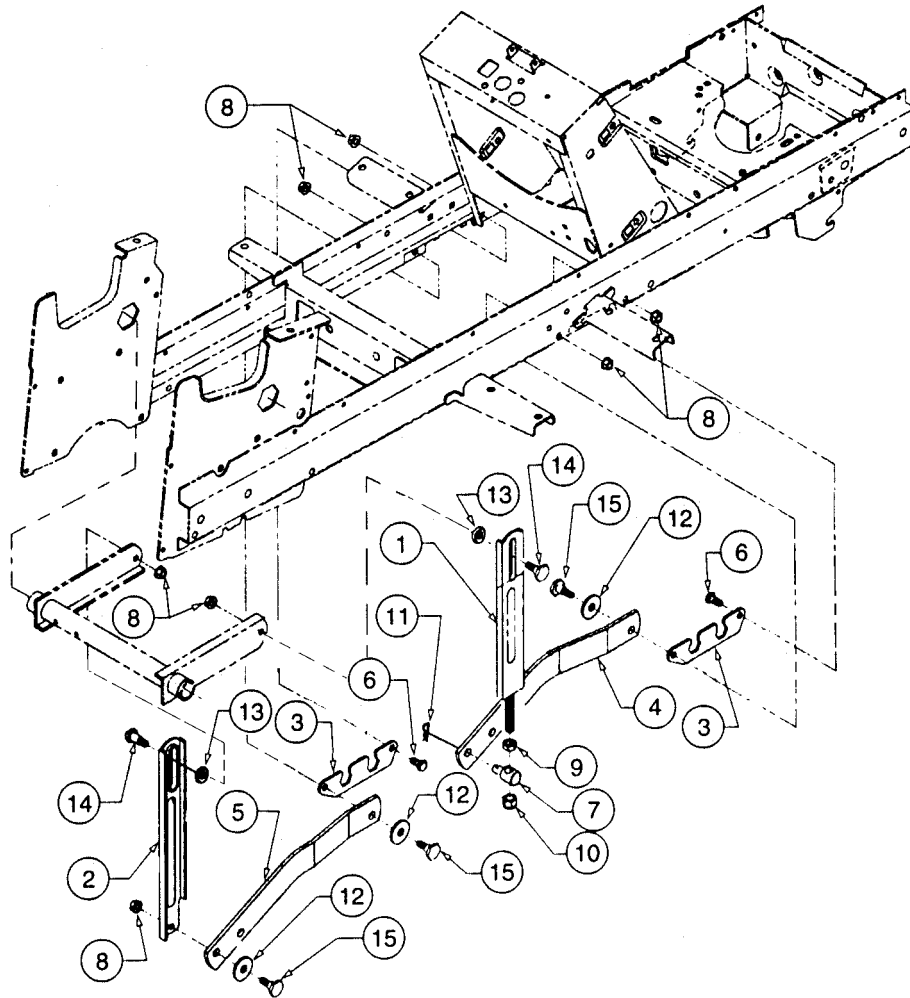


## IMPLEMENT LIFT HANDLE



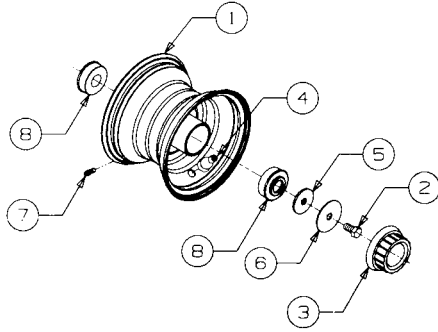
REF. NO.	PART NUMBER	DESCRIPTION	QTY.	REF. NO.	PART NUMBER	DESCRIPTION	QTY.
1	603-0057A	Handle Assembly, Lift	1	14	712-0431	Nut, Hex Flanged Lock, 3/8-16	2
2	603-0059	Shaft Assembly, Lift	1	15	712-3004A	Nut, Hex Flanged Top Lock, 5/16-18	2
3	603-0136	Fork, Lift	1	16	715-0114A	Pin, Spiral Spring, 1/4 Dia x 1.5	2
4	703-2239	Bracket, Lift Index	2	17	716-0116	Ring, Snap, 1.25 Dia Shaft	1
5	703-2558	Indicator, Lift Height	1	18	731-3158	Grip, Lift Handle	1
6	710-0451	Bolt, Carriage, 5/16-18 x .75	2	19	732-3093	Spring, Extension	1
7	710-0599	Screw, Hex Wash Tapp, 1/4 x .5	1	20	732-3097	Spring, Compression	1
8	710-3144	Screw, Hex Cap, 3/8-16 x 2 GR5	1	21	736-0267	Washer, Flat, .385 x .87 x .06	1
9	710-3279	Screw, Hex Cap, 3/8-16 x 4.25 GR5	1	22	738-0145	Bolt, Shoulder	1
10	711-0635	Inser, Spring	1	23	747-3175	Rod, Index	1
11	711-0642A	Button, Handle	1	24	748-3051	Bearing, Hex Flange, 1.25 ID	2
12	711-3350	Ferrule, Adjustment	1	25	750-3131	Spacer, 1.28 ID x 1.5 OD x .335 Lg	1
13	712-0262	Nut, Hex Center Lock, Jam, 3/8-24	1				

## IMPLEMENT LIFT HANGER



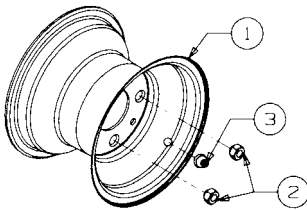
REF. NO.	PART NUMBER	DESCRIPTION	QTY.
1	603-0058	Bracket, RH Hanger	1
2	703-2234	Bracket, LH Hanger	1
3	703-2804	Plate, Bearing Mounting	2
4	703-2832	Link, RH Lift	1
5	703-2833	Link, LH Lift	1
6	710-3000	Screw, Hex Cap, 3/8-16 x .75 GR5	2
7	711-3319	Ferrule, Adjustment	1
8	712-0431	Nut, Hex Flange Lock, 3/8-16	7
9	712-3048	Nut, Hex Jam, 1/2-13 GR5	1
10	712-3083	Nut, Hex Insert Lock, 1/2-13	1
11	714-0145	Pin, Internal Cotter	1
12	736-0326	Washer, Flat, .5 x 1.5 x .15	3
13	736-3069	Washer, Flat, .531 x .875 x .15	2
14	738-0430	Bolt, Shoulder	2
15	738-0507B	Bolt, Shoulder	3

## FRONT WHEEL



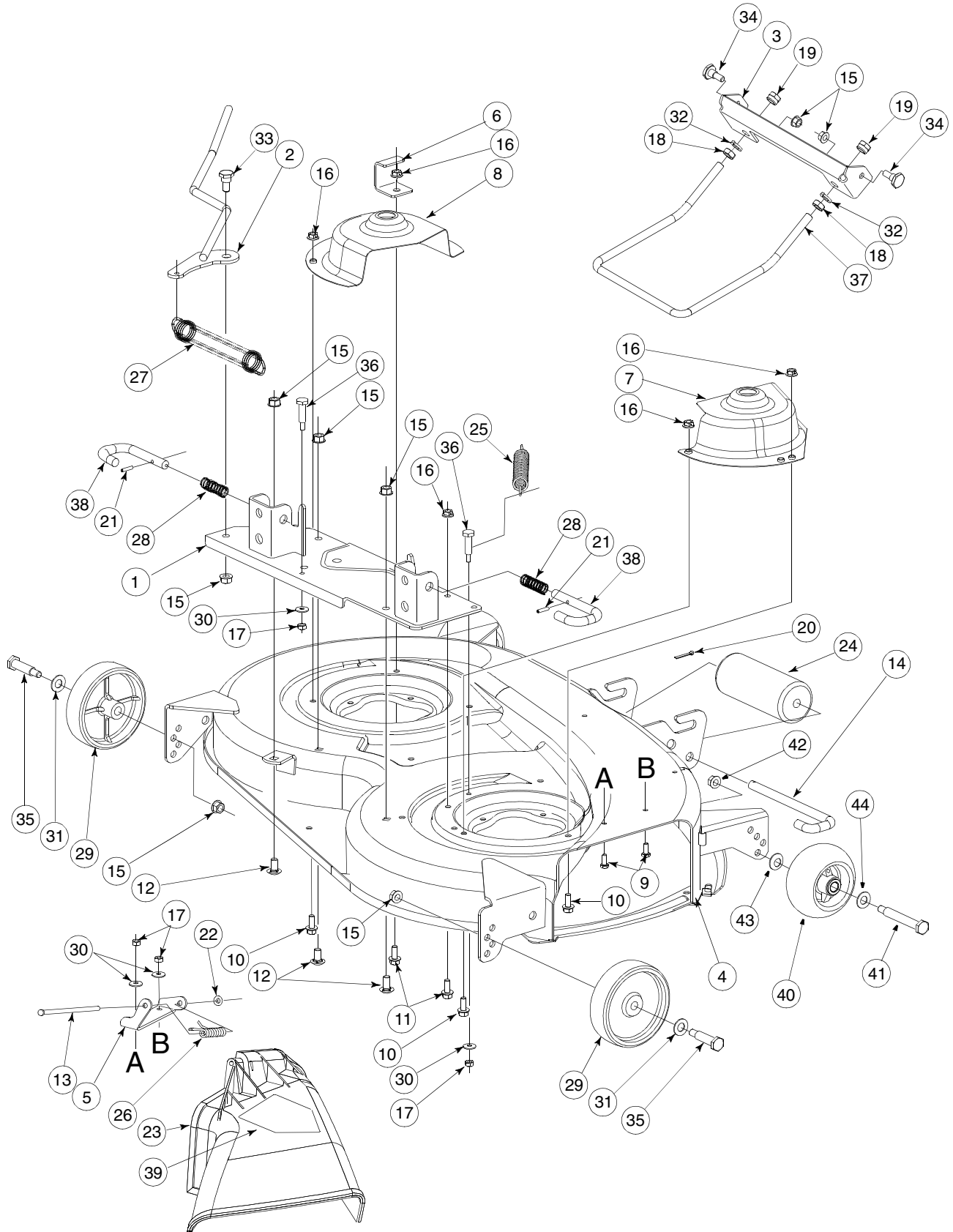
REF. NO.	PART NUMBER	DESCRIPTION	QTY.
	734-3186	Tire, Cub Tread, 15 x 6 x 6	2
1	634-3015	Rim Assy, Front	2
2	710-3119	Bolt, Hex Patch, 3/8-16 x .75 GR5	2
3	731-3020	Cap, Hub	2
4	734-0255	Valve, Tubeless Air	2
5	736-3039	Washer, Flat, .406 x 1.5 x .110	2
6	736-3040	Washer, Flat, .406 x 1.92 x .06	2
7	737-0224	Fitting, Grease	2
8	741-3032	Bearing, Ball	4

## REAR WHEEL



REF. NO.	PART NUMBER	DESCRIPTION	QTY.
	734-3189	Tire, Cub Tread, 20x 9 x 8	2
1	634-3005	Rim Assy, Rear	2
2	712-3050	Nut, Lug, 7/16-14	8
3	734-0255	Valve, Tubeless Air	2

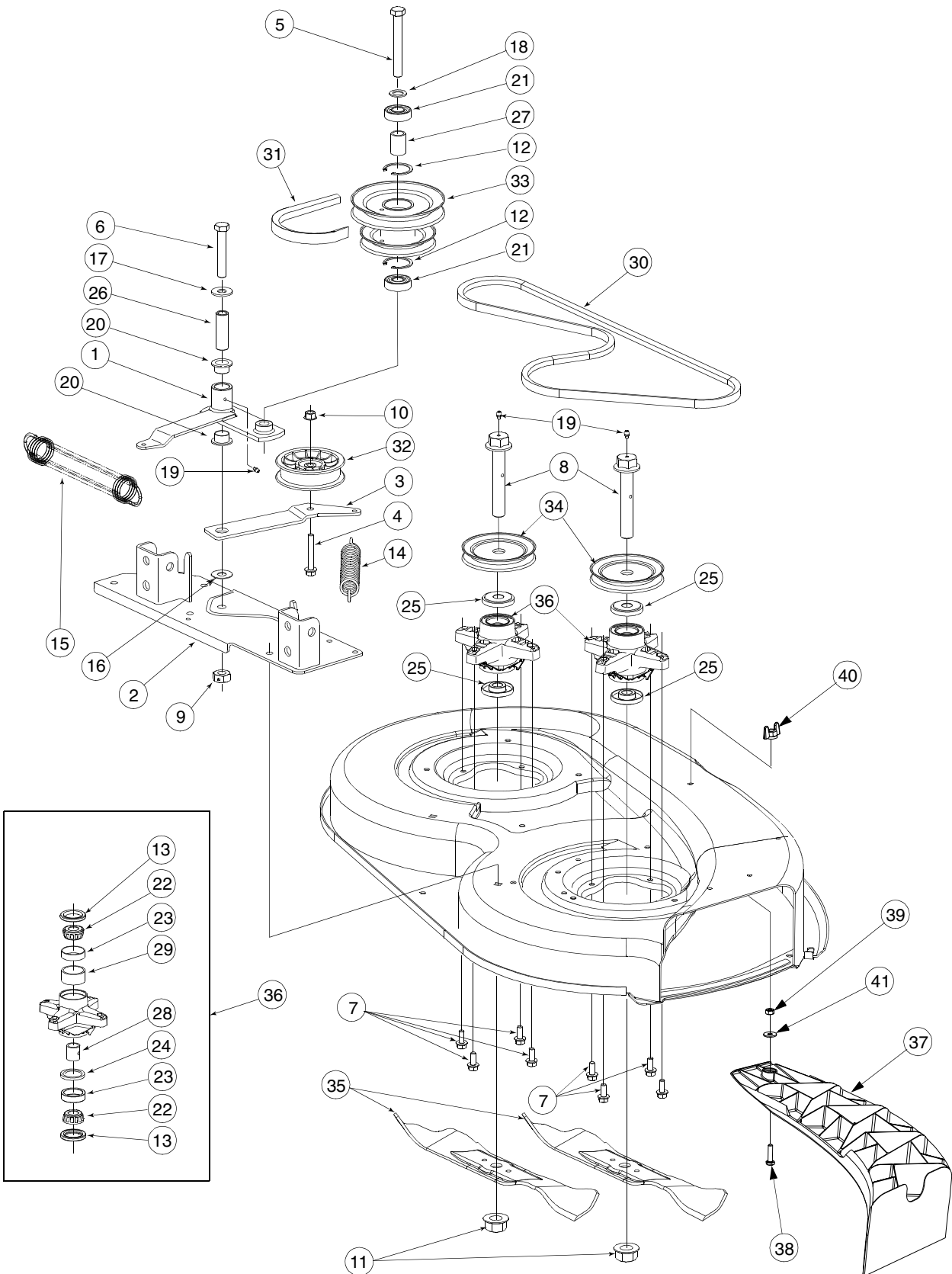
### 38" DECK ASSEMBLY



### 38" DECK ASSEMBLY

REF. NO.	PART NUMBER	DESCRIPTION	QTY.
1	603-0181A	Plate Assembly, Mounting	1
2	603-0199	Handle, Tension	1
3	603-0200	Bracket, Front Lift	1
4	603-0408A	Deck Assembly, 38"	1
	777S30010	Graphic, Danger Top/RH Deck	1
	777S30014	Graphic, Tension Lever	1
	777S30018	Graphic, Safety Top/LH Deck	1
	777S30012	Graphic, Assembly Chute	1
5	703-1693	Bracket, Hinge Mounting	1
6	703-2559	Bracket, Handle Stop	1
7	703-3237	Shield, RH Pulley	1
8	703-2945	Shield, LH Pulley	1
9	710-0751	Screw, Hex Cap, 1/4-20 x .62 GR5	2
10	710-1260A	Screw, Hx Wsh Hd Tapp, 5/16-18 x .75	3
11	710-3008	Screw, Hex Cap, 5/16-18 x .75 GR5	2
12	710-3178	Bolt, Carriage, 3/8-16 x .75	3
13	711-0792	Pin, Hinge, .25 Dia x 6.75 Lg	1
14	711-3314	Pin, Roller, 1/2 Dia x 7.31 Lg	1
15	712-0431	Nut, Hex Flange Lock, 3/8-16	10
16	712-3004A	Nut, Hex Flange Lock, 5/16-18 GR5	5
17	712-3006	Nut, Hex, 1/4-20	4
18	712-3048	Nut, Hex Jam, 1/2-13 GR5	2
19	712-3083	Nut, Hex Insert Lock, 1/2-13	2
20	714-3004	Pin, Cotter, 3/32 x 1.25	1
21	715-3003	Pin, Spirol Spring, 3/16 x .75	2
22	726-0106	Cap, Speed Nut	1
23	731-1032	Deflector Assy, (Incl. Ref #5, 13, 22, 26)	1
24	731-3005	Roller	1
25	732-0262	Spring, Extension, .88 OD x 6.12	1
26	732-0602	Spring, Torsion	1
27	732-3115	Spring, Extension, 1.25 OD x 8.15	1
28	732-3127	Spring, Compression	2
29	734-0973	Wheel, Deck, 5 in. Dia	2
30	736-0270	Washer, Bell, .265 x .75 x .062	4
31	736-0272	Washer, Flat, .510 x 1.0 x .060	4
32	736-0921	Washer, Lock, 1/2	2
33	738-0143	Bolt, Shoulder, .498 Dia x .340 Lg	1
34	738-507B	Bolt, Shoulder, .50 Dia x .434 Lg	2
35	738-0533	Bolt, Shoulder, .498 Dia x 1.64 Lg	2
36	738-0572	Bolt, Shoulder, .375 Dia x 1.16 Lg	2
37	747-3172	Rod, Front Lift	1
38	747-3188	Pin, Mower Support	2
39	777S30145	Graphic, Danger	1
40	703-1890	Wheel, Deck w/Fitting	2
	737-0280	Lube Fitting	2
41	738-3056	Bolt, Shoulder, 1/2 x 2.5	2
42	736-0105	Washer, Bell, .401 x .870 x .063	2

### 38" SPINDLE ASSEMBLY



### 38" SPINDLE ASSEMBLY

REF. NO.	PART NUMBER	DESCRIPTION	QTY.
1	603-0172	Pivot Arm, Double Pulley	1
2	603-0181A	Plate Assembly, Mounting	1
3	703-2463	Arm, Idler	1
4	710-0520	Screw, Hex Cap, 3/8-16 x 1.5 GR5	1
5	710-0923	Screw, Hex Cap, 5/8-18 x 3.0 GR5	1
6	710-1010	Screw, Hex Cap, 1/2-20 x 3.0 GR8	1
7	710-1260	Screw, Hx Wsh Hd Tapp, 5/16-18 x .75	8
8	710-1336	Bolt, Spindle, 3/4-16 x 4.25	2
9	712-0239	Nut, Hex Center Lock, 1/2-20	1
10	712-0431	Nut, Hex Flange Lock, 3/8-16	1
11	712-3078	Nut, Hex Flange, 3/4-16	2
12	716-3020	Snap Ring, Internal	2
13	721-3018	Seal, Oil, 1.25 x 1.874 x .25	4
14	732-0262	Spring, Extension, .88 x 6.12	1
15	732-3115	Spring, Extension, 1.25 x 8.15	1
16	736-0100	Washer, Flat, .531 x 1.25 x .036	1
17	736-0179	Washer, Flat, .531 x 1.25 x .100	1
18	736-0290	Washer, Flat, .63 x 1.0 x .063 Hdn	1
19	737-3000	Fitting, 3/16 Drive Lube	3
20	741-0338	Bearing, Flange, 3/4 ID x .53 Lg	2
21	741-0524	Bearing, Ball, .62 ID x 1.57 OD	2
22	741-3028	Cone, Bearing	4
23	741-3029	Cup, Bearing	4
24	741-3031	Spacer, Bearing	2
25	748-3065	Spacer, Deck Spindle	4
26	750-0656	Spacer, Idlr Brkt .50 ID x .75 OD x 2.25	1
27	750-3132	Spacer, Pulley, .635 ID x .88 OD x 1.25	1
28	750-3190	Spacer, Bearing, .780 x .963 x .7777	2
29	750-3191	Spacer, Bearing, 1.615 x 1.86 x .8427	2
30	754-3029	Belt, Spindle, A-Section x 59 Lg	1
31	754-3055A	Belt, PTO, B-Section x 112.4 Lg	1
32	756-0627	Pulley, Flat Idler, 3.5 OD	1
33	756-3070	Pulley, Double	1
34	756-3089	V-Pulley, 4.0 Dia	2
35	759-3829	Blade, 3 In One, 19.38 Lg	2
36	918-3129	Spindle Assy, (Incl. Ref #13, 22- 24, 28-29)	2
37	731-1643A	Plug, Mulch	1
38	710-0597	Screw, Hex Cap, 1/4-20 x 1.0 GR5	1
39	712-3006	Nut, Hex, 1/4-20	1
40	712-3087	Nut, Wing, 1/4-20	1
41	736-0173	Washer, Flat, .28 x .74 x .063	1





## Free Manuals Download Website

<http://myh66.com>

<http://usermanuals.us>

<http://www.somanuals.com>

<http://www.4manuals.cc>

<http://www.manual-lib.com>

<http://www.404manual.com>

<http://www.luxmanual.com>

<http://aubethermostatmanual.com>

Golf course search by state

<http://golfingnear.com>

Email search by domain

<http://emailbydomain.com>

Auto manuals search

<http://auto.somanuals.com>

TV manuals search

<http://tv.somanuals.com>