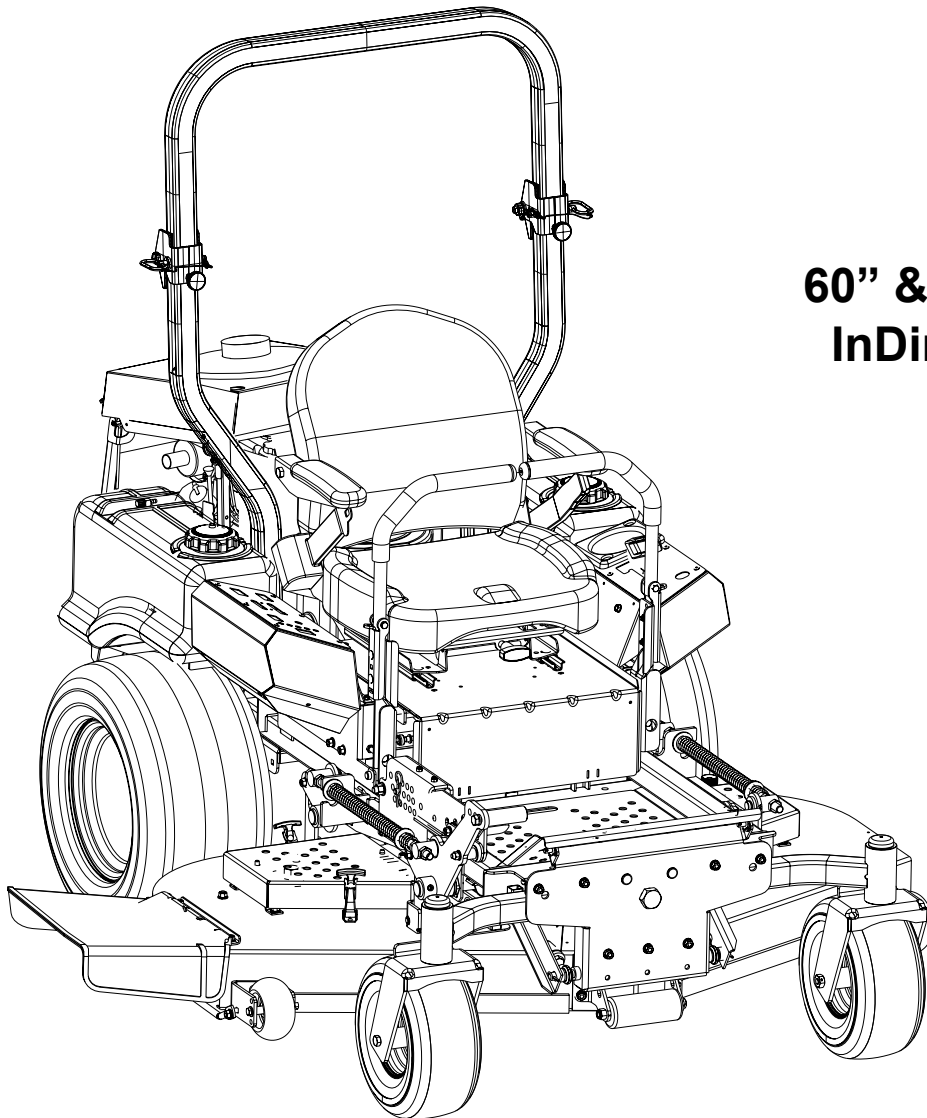




# Hydrostatic Zero-Turn Commercial Riding Mower

---

*Professional Turf Equipment*



**60" & 72" Fabricated Deck  
InDirect Injection Diesel**

## **OPERATOR'S AND SERVICE MANUAL**

---

# TABLE OF CONTENTS

---

Foreword . . . . .	3
General Safety Operations . . . . .	4
A. Danger . . . . .	4
B. Warning . . . . .	4
C. Caution . . . . .	4
Safety Precautions . . . . .	4
A. General . . . . .	4
B. Related to Fuel . . . . .	5
C. Related to Batteries . . . . .	5
D. When Mowing . . . . .	5
E. Towing . . . . .	6
F. Operator Protection System Foldable . . . . .	6
G. Suspension Seat . . . . .	7
Safety Decals . . . . .	8
Specifications . . . . .	9
Operating Instructions . . . . .	10
A. General . . . . .	10
B. Controls . . . . .	11
C. Initial Adjustments . . . . .	13
D. Zero Turn Break-In and Operating Procedures . . . . .	14
E. Mower Cutting Blades . . . . .	16
F. Cooling System . . . . .	17
Maintenance and Service . . . . .	17
A. Mower Deck . . . . .	17
B. Hydraulic Oil . . . . .	18
C. Electrical System . . . . .	19
D. Tires . . . . .	21
E. Brakes . . . . .	21
F. Hydraulic System . . . . .	22
G. Cooling System . . . . .	24
H. Storage . . . . .	24
Maintenance Schedule . . . . .	25
Performance Adjustments . . . . .	27
A. High Speed Tracking Adjustment . . . . .	27
B. Engine RPM Check and Adjustment . . . . .	27
C. Deck Corner Ball Wheel Roller Settings . . . . .	28
D. Deck Center Anti-Scalp Roller Settings . . . . .	28
E. Lap Bar Adjustment . . . . .	28
F. Deck Leveling Procedure . . . . .	29
Fuel and Lube Specifications . . . . .	30
Wiring Diagram . . . . .	31
Warranty	

**This product may be covered by one or more of the following patents:  
D409,208; 5,946,894; 6,070,690; 6,301,864; 6,662,538; Pending**

# FORWARD

The Tank Hydrostatic Zero-Turn Commercial Riding Mower provides superb maneuverability, mid-mount cutting capability for professional landscapers, commercial lawn service companies, professional turf managers and golf course superintendents. The machine incorporates many safety features that should be studied by all operators and maintenance personnel before use. The list of safety precautions should receive particular attention.

This manual presents all of the operating and maintenance instructions necessary to keep your mower at peak efficiency. If operated and maintained properly, your mower will give dependable service.

## CAUTION:

**Only thoroughly trained persons should operate and maintain this mower. This machine can cause serious injury to anyone who misuses it and does not understand its operation. For their personal safety, all operators and maintenance personnel are required to read this entire manual before operating the mower.**

**Hazard control and accident prevention are partially dependent upon the design and configuration of the equipment. Notwithstanding, these factors are also dependent upon the awareness, concern, prudence and proper training of the personnel involved in the operation, transport, maintenance and storage of the equipment.**

## WARNING

- The engine exhaust, some of its constituents, and certain vehicle components contain or emit chemicals known to the State of California to cause cancer, birth defects or other reproductive harm.
- This unit is equipped with an internal combustion engine and should not be used on or near any unimproved forest-covered, brush-covered, or grass-covered land unless the engine's exhaust system is equipped with a spark arrester meeting applicable local or state laws (if any). If a spark arrester is used, it should be maintained in effective working order by the operator.
- In the State of California, the above is required by law (Section 4442 of the California Public Resources Code). Other States may have similar laws. Federal laws apply to federal lands. A spark arrester muffler may be available.

**NOTE:** The engine manufacturer is responsible for all engine-related issues with regards to performance, power-rating, specifications, warranty and service. Please refer to the engine manufacturer's owner's/operator's manual, packed separately with your unit, for more information.

## MODELS LISTED IN THIS MANUAL

**28HP Tank,  
53AL8CTX750**

**28HP Tank,  
53AL8CTZ750**

**28HP Tank,  
53AB5JEZ630**

# GENERAL SAFETY OPERATIONS

## A. DANGER

1. Do not operate machine in confined areas where exhaust gases can accumulate.
2. Do not operate machine without mower chute deflector in place and operational.
3. Do not carry passengers.

## B. WARNING

1. Do not operate machines under the influence of alcohol or drugs.
2. Do not operate machines without all guards and safety devices in place and functional.
3. Do not start machines if there are fuel or oil leaks or spillage — clean it up.
4. Do not operate machines near spilled or leaking fuels.
5. Do not stop or park machine over dry leaves, grass, debris, etc. that could be combustible.
6. Use extreme care when backing up.
7. Do not operate machine on slopes greater than 15 degrees (27%), and always go across slopes, not up and down.
8. Do not operate machines on slopes when traction is reduced (wet grass, ice, soft ground, loose ground, leaves, pine needles, debris, etc.).
9. Avoid turning downhill if possible, go slowly and use extra care when turning downhill.
10. Do not operate machines during reduce visibility (low light, fog, rain, etc.).
11. Do not operate machines with non-approved attachments.
12. Do not operate machines that are damaged.....have machine repaired.
13. Do not operate machines that have not been properly maintained.
14. Use only replacement parts that are the same or equivalent to the original equipment.
15. Do not modify machines or any of their components, especially the engine governor!
16. Do not operate machine for more than 2 hours without hearing protection.

## C. CAUTION

1. Use proper protective equipment when operating machine (gloves, boots, and hearing protection are recommended).
2. Read entire machine Operator's Manual.
3. Make sure operators are fully trained in the safe use of the machine.
4. Follow all safety instructions when using the machine.

5. Keep all safety signs legible and properly installed.
6. Do not check for hydraulic leaks with any part of the body.
7. Do not add fuel to a machine when the engine is running and/or the exhaust system is hot.
8. Keep machine clean and free of debris, grass, leaves, oil, grease, etc.
9. Place lap bars in neutral/start position, set park brake, disengage P.T.O., turn engine off, and remove ignition key before you dismount from machine.
10. Use machines laterally or diagonally across slopes, avoid going downhill when possible.
11. Go slowly and use extra care when descending slopes.
12. Disengage P.T.O. when crossing surfaces such as asphalt, concrete, loose ground, sand, gravel, etc.
13. Use extra care when loading and unloading machines from trucks or trailers.

# SAFETY PRECAUTIONS

## A. General

1. Read this Operator's Manual before starting the mower. Study the controls and learn the proper sequence of operation.
2. Do not allow anyone to operate or maintain this machine who has not read this manual. Never permit children to operate this machine.
3. Never carry passengers.
4. Do not remove any shields, guards or safety devices. If a shield, guard or safety device is damaged or does not function, repair or replace it before operating the mower.
5. Always wear safety glasses and safety shoes when operating or maintaining this mower. Do not wear loose-fitting clothing.
6. Disconnect the spark plug wires and remove the key from the ignition to prevent the engine from accidentally starting before performing any maintenance on this mower.
7. Never run the engine indoors without adequate ventilation. Exhaust fumes are deadly.
8. To avoid serious burns, do not touch the engine, exhaust pipe or muffler while the engine is running or until it has cooled after it has been shut off.
9. The liquid in the battery is dilute sulfuric acid. Always wear safety glasses and rubber gloves when working on the battery. Do not overfill the battery.
10. Lead-acid batteries generate hydrogen and oxygen gases which form an explosive mix-

ture. Keep sparks and flames away at all times.

11. When looking for oil leaks, never run your hand over hydraulic hoses, lines or fittings. Never tighten or adjust hydraulic hoses, lines or fittings while the system is under pressure. If high-pressure oil penetrates the skin, the oil must be removed within a few hours by a doctor familiar with this form of injury or serious complications may result.

## B. Related to Fuel

1. Fuel is highly flammable and its vapors can explode if ignited. Please respect it.
2. Do not smoke or permit others to smoke while handling fuel.
3. Always use approved containers for fuel and fill slowly to decrease the chance of static electricity buildup and spillage.
4. Store fuel in well ventilated and unoccupied buildings away from sparks and flames.
5. When dispensing gasoline into approved containers, place the container on the ground when refueling to avoid a possible static electricity ignition of fuel vapors.
6. Do not fill containers while it is inside a vehicle, trunk, the bed of a pickup or floor of a trailer.
7. Always shut off the engine and permit it to cool before removing the fuel tank cap.
8. Always fill the fuel tank outdoors.
9. If the fuel container spout will not fit inside the fuel tank opening, use a funnel.
10. When filling the fuel tank, stop when the fuel reaches one inch from the top. This space is necessary for tank expansion. **Do not overfill.**
11. Wipe up any spilled fuel.

## C. Related to Batteries

Batteries are stored electrical energy devices that may be serviceable with removable caps (the electrolyte levels can be checked), or may be non-serviceable (no attempt should be made to open the vents).

Batteries may contain lead (Pb) and sulfuric acid, and they must be re-cycled and not disposed of nor abandoned. Sulfuric acid can cause severe burns, and in the event of contact, the areas should be flushed with water and a physician contacted. Battery cases should not be punctured. Lead is poisonous and is contained within the positive and negative terminals as well as within the battery's internal grid-work of plates and active materials.

Explosive gases are generated when batteries are re-charged, so sparks, flames and heat sources should be avoided. Loose connections at the battery

terminals can produce sparks and heat...connections to the terminals must be kept tight, and the terminals and battery surfaces kept clean of acids and corrosion. If batteries are re-charged or "jumped" from external sources, make sure that the connections are made properly and in the correct sequence...connect to the positive terminal of the good battery first, then connect that to the positive terminal of the weak battery. The third connection should be to the negative terminal of the good battery, followed by the negative terminal of the weak battery. If sparks are observed or heating of the wiring or connectors is detected, disconnect in reverse order (I.E., the negative terminal of the weak battery first). Batteries should be re-charged at a constant voltage...generally 14.5 +/- 0.5 volts DC for a nominal 12 volt DC battery.

## D. When Mowing

1. Keep adults, children and pets away from the area to be mowed.
2. When operating this mower in the forward direction, DO NOT allow the steering levers to return to the neutral position on their own. Always maintain a firm grip on the levers, operate them smoothly and avoid any sudden movements of the levers when starting or stopping.
3. If the mower is equipped for side discharge, never use the mower without the discharge chute installed and placed in the down position.
4. Always remove debris and other objects from the area to be mowed. (**Note:** debris and loose grass will reduce traction.)
5. Mow only in daylight.
6. Watch for holes, sprinkler heads and other hidden hazards.
7. Avoid driving too close to trees, creeks, ditches, sand traps and other obstacles.
8. Before backing up, check behind you and watch where you're going.
9. Always reduce speed when making a turn, and when grass is wet.
10. Always mow across slopes, never up and down the slope. Do not operate on steep slopes and slow down before turning.
11. Be careful when crossing gravel paths or roadways. Always turn off the blade clutch switch and wait until the blades stop rotating and raise the cutting deck to the transport position. Always allow other vehicles to have the right-of-way.
12. If you hit a solid object while mowing, turn off the blade clutch switch, place the left and right steering levers in the neutral position, move the throttle to slow, set the parking brake, shut off the engine and take the key from the ignition switch. Inspect for damage. Repair any

damage. Make sure the blades are in good condition and that the blade bolts are tight before restarting the engine.

13. Never leave the mower unattended without: turning off the blade clutch switch; placing the left and right steering levers in the neutral position; moving the throttle to slow; setting the parking brake; shutting off the engine and taking the key from the ignition switch.
14. Never walk or stand on the discharge side of a mower with the engine running. Turn off the blade clutch switch if another person approaches while you are operating the mower.
15. Never attempt to operate the traction unit without the mowing deck attached.
16. Keep the mower and especially the engine and hydraulic components clean and free of grease, grass and leaves to reduce the chance of fire and to permit proper cooling.

## E. Towing

1. Tow only with a machine that has an approved hitch designed for towing. Do not attach towed equipment except at the hitch point.
2. Follow the manufacturers recommendation for weight limits for towed equipment and towing on slopes.
3. Never allow children or others in or on towed equipment.
4. On slopes, the weight of the towed equipment may cause loss of traction and loss of control.  
**Note: 5 degrees (9%) maximum slope.**
5. Travel slowly and allow extra distance to stop.

## F. Operator Protection System -Foldable

1. This machine is equipped with an Operator Protective System (OPS), which includes:
  - a. A Roll Over Protective Structure (ROPS) or Operator Protective Device (OPD) which may be of the fixed or folding configuration
  - b. Seat belt assembly with retractable function
2. ROPS and OPDs are structures designed to provide a crush-resistant space for the operator when properly seat-belted within the designated seating area of the machine in the event of a machine tip-over or roll-over. Folding ROPS and OPDs shall be used in their fully upright and locked configurations except in those circumstances whereby they need to be momentarily folded-down to avoid contact with items such as tree limbs, clothes lines, guy wires, buildings, etc. At other times and conditions, ROPS and OPDs shall be in their fully upright and locked configurations.

## DANGER:

**Damaged ROPS and OPDs must be replaced prior to operator use!**

3. Seat belts shall be used and shall be properly fastened about the operator's waist at all times, except when the ROPS or OPDs are:
  - not properly installed and/or not properly secured onto the machine
  - damaged in such manner that their structural integrity has been compromised
  - not in their fully upright and locked position
4. Seat belts are attached to the movable portion of the seat when suspension seats are utilized, and therefore the seat-mounting base must be secured to its pivot means and the pivot means latched to the frame of the machine. Seat belts are attached to the seat or the frame of the machine when non-suspension (standard) seats are provided, however, if a suspension kit is added to a seat, the seat belt must be attached to the movable portion of the seat or suspension mechanism, the seat-mounting base must be secured to its pivot means, and the pivot means be latched to the frame of the machine.

## DANGER:

**If ROPS and OPDs are folded down or missing, seat belts shall not be fastened. Worn or damaged seat belt assemblies must be replaced prior to operator use.**

5. Brush Guards and canopies can afford additional protection for the operator. The Brush Guard can deflect tree limbs, clothes lines, and other obstacles that otherwise could come in contact with the ROPS and OPDs. Contact of ROPS and OPDs by items such as tree limbs, clothes lines, guy wires, and buildings, could create hazardous conditions whereby the machine could experience a tip-over or roll-over. The canopy can provide protection for the operator from some environmental exposure (sunlight, rain, etc.). Work lights may be available.
6. The ROPS and seat belt are integral parts of this machine and should not be tampered with, modified in any manner, or removed.
7. The ROPS extends above and behind the operator position, and therefore the operator must be aware of potential contact of the ROPS with items such as trees, buildings, doorways, clothes lines, utility wires, etc., that could cause the machine to upset or roll-

over....use caution in (or avoid) areas where the ROPS could come in contact with any structures, trees, etc.

8. The ROPS and seat belt add additional mass that elevates the machine's Center of Gravity (C.G.) which negatively affects the machine's stability and traction....use extra caution when operating on slopes.
9. Inspect the ROPS and seat belt assemblies on a regular basis for damage and improper operation....replace all components that are damaged or are not functioning properly with authorized replacement parts.
10. Failure to use the seatbelt properly could result in serious injury or death if an accidental overturn occurs. In order for the ROPS to be effective, the seat belt must be securely fastened around the operator at all times when the operator is on the machine. Contact with the ROPS during an overturn could cause serious injury or death.
11. The ROPS will not prevent the machine from upsets or roll overs.
12. Only approved attachments should be used on this machine.

## G. Suspension Seat

1. This unit is equipped with an adjustable suspension seat system, which includes a fold-forward seat with retractable seat belt assembly, a low profile mechanical suspension, and an Operator Presence Sensor (OPS).
2. The seat bottom is covered with a heavy-duty vinyl fabric and integrates the EVC cushion comfort system that provides up to 1 3/8" dampered (for shock isolation) suspension travel. An OPS in the form of a switch, is integrated into the seat bottom and is connected to the machine electrical system. The seat back is also covered with a heavy-duty vinyl fabric, it adjusts to recline up to 16 degrees, and it will fold forward for transport or protection from the elements of weather (lever actuated on operator's left side). The armrests are adjustable for operator comfort (knob inside armrests actuated from the bottom). Roller bearing single-locking tracks provide easy repositioning fore/aft up to 5" (lever actuated on lower right).
3. A mechanical suspension mechanism incorporates weight/ride adjustment controls for operators in the 125 to 275 lb. weight range (turn the knob on the front of the seat clockwise to increase the weight capacity and counter-clockwise to decrease. Self-lubricat-

ing bearings are utilized throughout the suspension mechanism that provides an additional 2" of suspension travel.

4. A retractable seat belt assembly with inertia-lock is attached to the "ride" portion of the seat frame. The seat frame is attached to the mechanical suspension, which is attached to the roller tracks that are bolted to the seat base in one of the three (3) locations - the seat assembly can be detached and re-installed 1" forward or 1" aft from the factory installed position. When the two (2) hairpin clips are removed from the frame-mounted stud-bolts, the complete seat assembly and seat base can be pivoted forward onto the foot platform - this provides access to the battery, hydraulic reservoir and filter, as well as some of the electrical system and control linkages. The seat base must be secured with the hairpin clips prior to machine operation.

**Note:** The seat base must be secured by properly installing the hairpin clips into both frame-mounted stud-bolts, otherwise, the seat assembly could tilt forward. The Operator Presence Sensor must be connected to the electrical wiring harness.

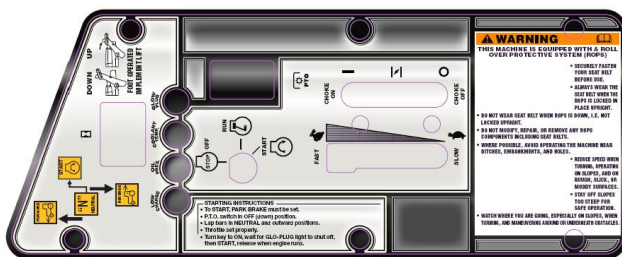
# SAFETY DECALS AND LABELS



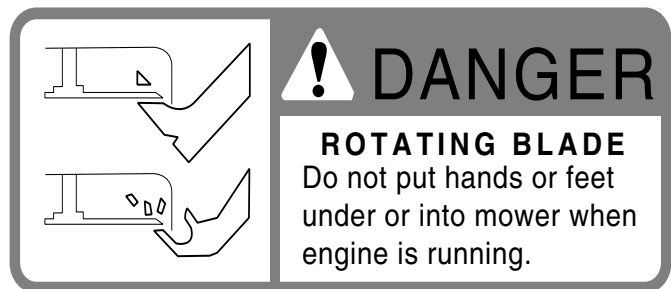
Part Number: 00030635



Part Number: 01002166



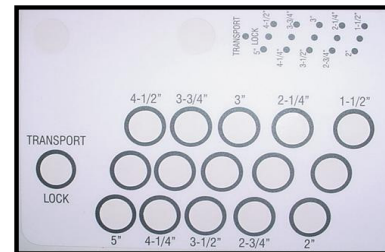
Part Number: 777S32798



Part Number: 00030633



Part Number: 777S32797

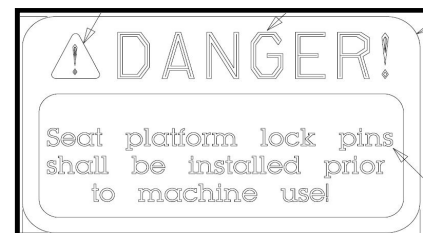


Part Number: 02003514

**WARNING!**

- Maximum weight on hitch is 50 lbs.
- Maximum towed load is 500 lbs.
- Never allow passengers on towed equipment.
- Loss of traction can occur on slopes, 5° (9%) maximum grade.
- Travel slowly and allow extra distance to stop.
- Use caution during turns to avoid jack-knifing.
- Use extra caution when operating in reverse.
- Do not modify hitch or repair hitch. Replace hitch if damaged.

Part Number: 02002693



Part Number: 02003652



# SPECIFICATIONS

GENERAL INFO.	
<b>Controls:</b>	Engine ignition and start switch; throttle; left and right steering levers; electric blade clutch switch; parking brake; mower deck lift
<b>Parking Brake:</b>	Mechanical linkage attached to the brake handle and drum brakes
<b>Seat:</b>	Fully adjustable Suspension Seat-fore/aft, seatback, armrests and operator weight adjustments
<b>Frame:</b>	2" Steel square tube and plate, all welded construction
<b>Instrumentation:</b>	Hourmeter; Low Voltage, Low Oil Pressure, High Coolant Temperature, and Glo-Plug activation indicator lights; (tachometer optional)
<b>Front Caster Wheels:</b>	13 x 6.50 x 6
<b>Drive Wheels:</b>	60" & 72" deck, 24x12 - 12
<b>Tire Pressure:</b>	10-12 psi Rear, 20-25 psi front caster
<b>Fuel Tank:</b>	Two 6.5 gallon w/ shutoff valves
<b>Ground Speed:</b>	0-12 + MPH forward. 0-5 MPH reverse
<b>Net Weight:</b>	1460 lbs. w/60" deck, & 1540 lbs. w/72" deck
<b>Operator Protective Device:</b>	Roll Over Protective Structure, and Retractable Seat Belts

ENGINE INFO.	
<b>Engine:</b>	28.2HP, InDirect Injection, Caterpillar diesel, 1.131 liters
<b>Type:</b>	Horizontal Crankshaft, 3 cylinder in-line, 23:1 compression
<b>Air Cleaner:</b>	Dual Element, Canister Type
<b>Lube System:</b>	Pressurized with oil filter Shell Rimula 15W40-4.3 quarts
<b>Hydraulic System:</b>	3 quart capacity, One quart filter Shell Rimula 15W40, CI-4 plus
<b>Coolant:</b>	Shell Dex-Cool ELA 50/50 antifreeze
<b>Starter:</b>	12-volt electric, cold limit -20C (-4F)
<b>Blade Brake Clutch:</b>	Electric

TRACTION DRIVE INFO.	
<b>Traction Drive:</b>	Variable-speed hydrostatic pumps and hydraulic wheel motors for each drive wheel

CUTTER DECK INFO.	
<b>Cutter Deck; Drive:</b>	60" & 72" Belt Driven
<b>Deck Lift:</b>	Foot lever w/pin lock for height adjustment
<b>Cutting Height:</b>	1-1/2" to 5"
<b>No. of Blades</b>	3, attach to spindle with 3/4" bolts
<b>Deck Spindles:</b>	1-1/4" diameter tapered-roller bearings, aluminum housing

# OPERATING INSTRUCTIONS

Figure. 1

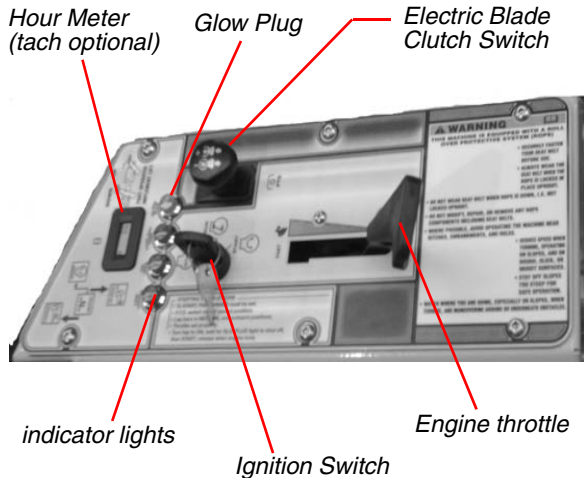


Figure. 2



## A. General

### 1. When Mowing:

- a. Keep adults, children, and pets away from the area to be mowed.
- b. When operating this mower, in the forward direction, do not allow the steering levers to return to Neutral on their own. Always maintain a firm grip on the levers, operate them smoothly and avoid any sudden movements of the levers when starting and stopping.
- c. If the mower is equipped for side discharge, never use the mower without the discharge chute installed and placed in the down position.
- d. Always remove debris and other objects from the area to be mowed (Note: debris and loose grass will reduce traction).
- e. Mow only in daylight.
- f. Watch for holes, sprinkler heads, and other hidden hazards.
- g. Avoid driving too close to trees, creeks, ditches, sand traps, and other obstacles.
- h. Before backing up, check behind and watch where you are going.
- i. Always reduce speed when making a turn, and when grass is wet.
- j. Always mow across slopes, never up and down the slope. Do not operate on steep slopes and slow down before turning. Avoid turning downhill if possible, start at the bottom and work up to the top. Use extra care and go slowly when turning downhill. Control the speed and direction of the zero turn machine "primarily" with the speed/directional control (lap bar) of the downhill side of the machine...I.E., maintain the uphill side lap bar "essentially" in a fixed position.
- k. Be careful when crossing gravel paths or roadways. Always turn off the blade clutch switch and wait until the blades stop rotating and raise the cutting deck to the transport position. Always allow other vehicles to have the right of way.
- l. If you hit a solid object while mowing, turn off the blade clutch switch, place the steering levers in the neutral position, move the throttle to slow, set the parking brake, shut off the engine, and take the key from the ignition switch. Inspect for damage. Repair the damage. Make sure the blades are in good condition and that the blade bolts are tight before restarting the engine.
- m. Never leave the mower unattended without observing the following: turn off the blade clutch switch, placing the steering levers in the neutral position, moving the throttle to slow, setting the parking brake, shutting off the engine and taking the key from the ignition switch.
- n. Never walk or stand on the discharge side of the mower when the engine is running. Turn off the blade clutch switch if another person approaches while you are operating the mower.
- o. Never attempt to operate the traction unit without having the mowing deck attached.
- p. Keep the mower and especially the engine and hydraulic components clean and free

of grease, grass, and leaves to reduce the chance of fire and permit proper cooling.

**Note: If low traction conditions occur, follow these procedures for “zero turns”:**

To turn clockwise (front of machine moves toward RIGHT) when traveling FORWARD:

1. Come to a stop,
2. Then slowly move both lap bars rearward (no more than 1/2 maximum reverse speed) to initiate REVERSE travel,
3. Then slowly move the LEFT lap bar forward while maintaining the RIGHT lap bar in the rearward travel position.
4. To stop the turn and reintiate FORWARD travel, slowly move the RIGHT lap bar from the REVERSE travel position to a FORWARD travel position equal t that of the LEFT lap bar.
5. Alternatively, release both lap bars and the machine should stop turning, (this is a safety check, the normal procedure is for the operator to slowly bring the lap bars to the Neutral psioition).

To turn counter-clockwise (front of machine moves toward LEFT) when traveling FORWARD:

1. Come to a stop,
2. Then slowly move both lap bars rearward (no more than 1/2 maximum reverse speed) to initiate REVERSE travel,
3. Then slowly move the RIGHT lap bar forward while maintaining the LEFT lap bar in the rearward travel position.
4. To stop the turn and reintiate FORWARD travel, slowly move the LEFT lap bar from the REVERSE travel position to a FORWARD travel position equal t that of the RIGHT lap bar.
5. Alternatively, release both lap bars and the machine should stop turning, (this is a safety check, the normal procedure is for the operator to slowly bring the lap bars to the Neutral psioition).

**2. Safety Awareness when Mowing**

- a. Do not operate on steep slopes, those above 15 degrees (27% slope).
- b. Avoid turning downhill if possible, if not use extra care and go slowly.
- c. Avoid turning when going downhill, traction is at a minimum going downhill.
- d. Do not operate with discharge side of the mower toward streets, buildings, playgrounds, parking lots, other machines, animals, and other people.
- e. Avoid operation or use extreme care if the traction surface is wet, unstable, or slippery.
- f. Use extra care when grass clippings, leaves, pine needles, or debris are present as traction can be reduced.
- g. Slow-down before turning and come to a complete stop before any zero turn maneuver.
- h. Do not stop machine or park machine over combustible materials such as dry grass, leaves, debris, etc.

**3. To Mow Grass and Produce a Striped Pattern**

- a. Pick a point on the opposite side of the area to be mowed (post, tree, shrub, etc.).

- b. If on an hillside, start at the bottom so that the turns are uphill rather than downhill.
- c. Align the mower so as to head directly toward the object on the far side.
- d. Slowly increase the speed of the machine to match cutting conditions, terrain, and operator familiarity with the controls and keep the machine headed directly toward the alignment object. Do not go fast as to reduce cut quality or to be uncomfortable in controlling the speed and direction of the machine.
- e. When approaching the other end of a strip, slow down or stop before turning. A U-turn is recommended unless a zero turn is required. The speed of a U-turn that will allow for machine controllability and minimal turf defacement will be dependent on several factors including: the speed of the turn, the radius of the turn, the tire tread pattern, the traction coefficient of the tire to the traction surface, the slope of the traction surface.
- f. Remember, a zero turn requires that the forward or reverse travel of the machine be stopped prior to the initiation of the turn or severe turf defacement can occur.
- g. To prevent rutting or grooving of the turf, change the direction that the strips are mowed by approximately 45 degrees the next and each subsequent time that the area is mowed.

**B.Controls**

1. **Engine ignition and start switch:** (See Figure 1.) Located on the instrument housing below the right side of the operator's seat. When the key is inserted and turned clockwise, 45 degrees, the ignition circuit is closed. When the engine is “cold”, have the switch in the “on” position until the glow-plug light goes out. Turning the switch further against spring pressure starts the engine. The engine will only start if the blade clutch switch is in the “off” position, the parking brake is engaged and the left and right steering levers are in the neutral position. The key should always be removed from the switch if the operator leaves the mower's seat.
2. **Glow Plugs:** (See Figure 1) Combustion chamber plugs are fitted with the necessary precise tip protrusion into each combustion chamber, to enable the sprayed fuel to be properly ignited during cranking, without causing a significant drop of combustion efficiency during engine running. Glow plugs, due to their high tip temperature when activated, give satisfactory starting at ambient temperature-bottom limits approaching that of other starting-fluid aids.
3. **Engine Throttle Control:** (See Figure 1.) Located on the left side of the mower next to the operator's seat. Moving the throttle control from

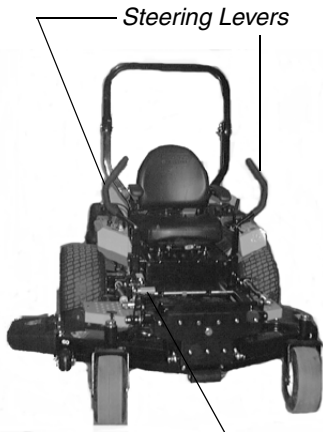


Figure 3 *Foot Pedal Lift*

the rear to the front will increase the engine speed from slow to fast.

4. **Left and Right Steering Levers:** (See Figure 3.) These hinged levers open out to the side in any position to permit the operator to be seated or to leave the mower's seat. The operator, when seated, can pull the levers up to the operating position, a comfortable forearm's length away. These levers control all of the movements of the mower. Pushing both levers forward causes the mower to move forward. Pulling both levers back causes the mower to move backward. Pushing one lever ahead of the other lever causes the traction wheel on the side where the lever is ahead to rotate faster than the other traction wheel, making the mower turn toward the side where the lever is behind. When one lever is pushed forward and the other lever pulled back the same amount, one traction wheel will turn in reverse and the mower will turn within its own length.

In order to start the engine, both steering levers must be in the neutral position; the parking brake must be engaged; and the blade clutch switch must be "off". However, once the engine starts, the parking brake must be released before the operator places the steering levers into the operating position or the engine will automatically shut off.

**Note:** The Steering Lever will return toward neutral when released, but they should be placed in neutral by the driver. If the Drive Handles are not placed in neutral, the tractor may creep.

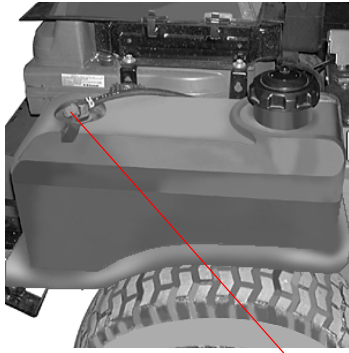
5. **Electric Blade Clutch Switch:** (See Figure 1.) Located on the right side of the mower beside the ignition switch. This is an "on/off" push pull switch that controls the electric blade clutch which supplies power to the cutting blades through the PTO. The switch must be turned off to start the engine and should be turned off for safety any time another person approaches the mower or the mowing deck is raised to the transport posi-

tion. Power to the electric clutch will also be cut off if the operator leaves the operator's seat.

6. **Parking Brake:** (See Figure 2.) Located on the left side of the traction unit. The handle is an overcenter lever which applies the drum-type brake on each drive wheel when the handle is pulled to the rear. The brake must be engaged in order to start the engine.
7. **Foot Pedal Lift:** (See Figure 3.) Located on the right front corner of the mowing deck. A two pedal mechanism is provided whereby one pedal (first) is used to raise, to momentarily hold the implement at a desired height (if needed), and to latch it in the transport or maximum height setting. A second pedal is used to unlatch the mechanism from the transport or maximum height setting, to lower, or to momentarily hold the implement at a desired height. The pedals can also be used in conjunction with each other when the upper portion of a foot activates the first pedal to raise the implement, and the lower portion of the foot (heel) activates the second pedal to release the latch. This provides a hands-free operation with the exception of when an implement height change is required. For changing implement height, at least one hand is required to reposition the pins to provide 1/4" height-of-cut increments.

The mechanism includes: An adjustable location foot pedal that is used to raise the implement and/or latch it in the transport position, that is directly connected to the implement lift linkage; adjustable force counter-balance springs to reduce the effective weight of the implement and thereby reducing the forces needed on the first and second pedals for activation - tighten both springs equally to reduce the force at the foot pedal; a second pedal pivotally attached to the first pedal that releases the mechanism from the latched configuration; a height adjustment link and index provide predetermined height for the implement - it is settable in 1/4" increments; a lock position for the height adjustment link settable by the pin in the highest (also transport position) or lowest (also for mower deck removal and installation).

The following features are incorporated into the foot pedal implement lift design: Foot actuated implement lift with one pedal (1st) for lift and latch, with a second pedal for release and lower; allows for some operators with physical limitations to use the implement lift mechanisms and the machine; reduces potential for operator fatigue; accommodates a variety of operator sizes, shapes, and strengths; does not require the use of hands (with the exception of resetting the implement height) during normal machine



Note: The 19hp and 23hp use the 5 gallon fuel tank.

Figure. 4 Fuel Shutoff Valve

operation - thusly the hands can be used for other functions

8. **Fuel Shutoff Valve:** (See Figure 4.) Located behind the operator's seat, the valve has three (3) positions: "off", "Left Tank", "Right Tank". Close this valve if you are not going to run the mower for a period of 30 minutes or more to prevent flooding the engine. The fuel system operates under pressure when the engine is running.

**Note:** In the left tank position, fuel will be drawn from the left tank only, and excess fuel not consumed by the engine will be returned to the left tank. This also applies to the right tank.

9. **Seat Adjustment Lever:** The Seat Adjustment Lever is located beneath the seat. The Seat Adjustment Lever is used to move the seat forward and backward. To place the seat in the desired position pull the seat adjustment lever to the left then push the seat forward or back to the desired position. Release the lever so the seat will lock in place. The lever on the side allows a choice of four seat back angles, plus a folded-down position. Knobs in each armrest allow them to be adjusted to the desired height.
10. **Hourmeter (Digital Tachometer Optional):** (See Figure 1 on page 10) Located on the right side of the mower in front of the ignition switch. When the machine is running the tachometer displays engine rpm. When the machine is off the tachometer displays running time.
11. **Warning Lights:** (See Figure 1) Indicator lights are provided to notify when conditions of "Low oil pressure", "High temperature coolant", "Low alternator output", and "Glo-plug activation" are present. A buzzer is activated with the "High temperature coolant" light.

## C. Initial Adjustments

1. **Check the fluid levels and tires:**

**Note:** These checks should be made daily, before starting the engine.

- a. **Fuel:** Using a good grade of #2 Diesel fuel, fill the fuel tank (beside the engine on the

left or right side of the mower). When the fuel reaches one inch from the top of the tank, stop. **DO NOT OVERFILL.** Space must be left for expansion. (see page 29 for more specs.)

- b. **Engine Oil:** (Filled at the factory before shipment.) Pull out the oil dipstick, wipe it off and reinsert it. Pull it out again and read the oil level. If it is below the operating range, add oil through the fill tube using a funnel to bring it up to the top of the operating range. (see page 29 for more specs.)

**Note:** Shell Rimula 15W40 is recommended and provides service SL and CI-4 plus.

- c. **Engine Coolant:** Use Shell Dex-cool, extended life anti-freeze diluted with water to create a 50:50 mixture. Maintain the fluid level in the expansion overflow tank at the prescribed level indicated on the tank.
- d. **Hydraulic Oil:** (Filled at the factory before shipment.) The hydraulic oil tank is located beneath the operator's seat. Always wipe off the area around the oil tank fill neck before checking the oil level to prevent dirt from contaminating the oil. Remove the cap and make sure the oil level is 1/4" below the oil tank fill neck. If the oil level is low, fill with Shell Rimula 15w40 or equivalent oil. Equivalent oil should meet GM Allison C-4.
- e. **Tires:** 10-12 psi Rear, 20-25 psi Front Caster Tires

**Note:** New tires are overinflated in order to properly seat the bead to the rim. The normal working pressure for the traction tires is 10-12 psi. The front caster wheels should be inflated to 20-25 psi.

2. **Check that all Nuts, Bolts and Screws are Tight.**
3. **Check the tension of the deck drive belts.**
  - a. Remove the deck cover
  - b. The tension of the deck drive belts are maintained by a spring mechanism that adjusts for wear and stretch.
  - c. Examine the belts for cuts, fraying, and excessive wear. Replace if any of these are detected.
  - d. Replace the deck cover.
4. **Adjust the Mowing Deck:** The cutting height is set anywhere in the range of 1-1/2" to 5". You may need to adjust the mowing deck to achieve the proper angle for mowing. Follow the procedures below to set the appropriate angle to the mowing deck.
  - a. Park the mower on a flat paved surface, engage the parking brake, shut off the engine, remove the key from the ignition switch, remove connection of the spark plugs and using the second foot pedal,

lower the mowing deck into the cutting position.

- b. Using a ruler, pencil and paper, measure and note the distance from the paved surface to the bottom edge of the mowing blade at the front and the back of the deck on each side of the mower. (Four dimensions.)

**Note:** The front edge of the mowing deck should be 1/8"-1/4" below the rear edge of the deck so that the blades are cutting grass in only the front half of their circular path. This decreases friction and reduces the drive power required.

- c. If the dimension at the front of the mowing deck is 1/8"-1/4" lower than the dimension at the rear of the deck on each side of the mower, do not adjust. If not, you will need to adjust the Deck Lift Spring Assist (See Figure 5). You may also need to adjust the Deck Links (See Figure 5).

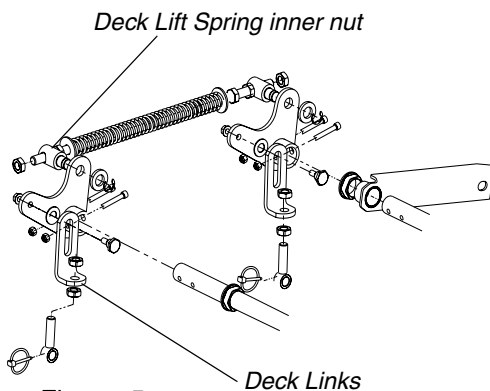


Figure 5

- d. Lower the mower deck to the cutting position. With a wrench loosen the inner rear nut on the Deck Lift Spring Assist. To adjust the deck up or down, use a wrench and with a few turns, adjust clockwise or counter clockwise the outer rear nut of the Deck Lift Spring Assist. Repeat this procedure on the opposite side of the Mower. Once the deck is adjusted, retighten bolts.
- e. With the deck still in the cutting position, adjust the Deck Links. With a wrench loosen the top inner bolt of the Deck Link. To adjust the side of the deck up or down turn the top bolt clockwise or counter clockwise a few turns. Adjust both front and rear Deck links as necessary. Retighten nuts.
- f. Raise the mowing deck to the transport position using the upper foot pedal.
- g. Use the second foot pedal to lower the mowing deck to the cutting position and repeat step "b." above to make sure that the desired cutting height has been attained. If the dimensions are not correct, repeat steps "c." through "f." above.

5. Lubricate all fittings listed in the maintenance section.

## D. Zero Turn Break-In And Operating Procedures

### DANGER:

Reread the "When Mowing" Safety Precautions.

The following procedures are suggested for operators of ride-on machines which have zero turn capabilities.

#### 1. Orientation:

- a. Read the entire Operator's Manual.
- b. Sit on the machine, adjust the seat before-and-after, then adjust the speed/directional (lap bar) controls (they can be adjusted fore & aft, as well as up & down — 9/16" wrench required).
- c. Become familiar with all of the machine controls, instrumentation, safety and instruction signs, and safety devices.
- d. Move (or have moved) the machine to a safe, level area with no obstructions including objects, pedestrians, and animals.

#### 2. Initial Operation:

- a. Use protective equipment for eyes, hands, hearing, feet, legs, head and other areas of the body if needed — safety eye glasses, gloves, earplugs, boots, hats, etc.

### WARNING:

Hearing Protection is required for all operator exposure exceeding two (2) hours.

- b. Ensure that the area is free of animals and bystanders, especially children!
- c. Survey the area where the equipment is to be used to make sure it is free of debris, sticks, stones, wires, bones, and other foreign objects which could cause injury to bystanders, damage to the machine, or damage to nearby facilities. Also make sure that the area is free of toys, stakes, pipes, chain, cable, potholes, drop-offs, and step slopes.
- d. Inspect the machine to make sure:
  1. All guards, shields (including mower chute deflector) are in their proper place, are secure, and are functional.
  2. That there are no spilled or leaking fuel or oil sources, nor loose fuel or hydraulic tank caps, hoses or fittings.
  3. That there are no loose or missing hardware nor any missing items.
  4. That no non-approved devices are installed.
  5. That all safety signs and decals are properly installed and legible.

- e. This is a one person machine, operator only! Riders are not permitted under any circumstance!
- f. To start the engine on the machine:
  1. Make sure the park brake is set to the "ON" position, both lap bars are in the neutral/start position, and the Power Take Off (PTO) also referred to as blade control switch) is in the "off" (down) position.
  2. Move the engine speed control (throttle) forward (half way).
  3. Insert the key in the ignition and start switch, turn the switch to "On", and wait for the glo-plug light to go out.
  4. Turn the ignition key in a clockwise direction to the "Start" position until the engine starts.

**Note:** The cooling system fan incorporates a 60 second delay for starting. Then it will begin a cycle of 1 minute down-flow followed by 10 minute up-flow.

- g. Check safety devices:
  1. With the park brake engaged, try to move one of the lap bars (speed/directional control) from the neutral/start position — the lap bars should not move with the park brake engaged.
  2. Repeat this procedure with the opposite side lap bars.
  3. With the park brake engaged and the lap bars in the neutral/start position, advance the engine speed control completely forward (Hi-idle), engage the PTO control switch (pull upward), then lift off the seat — the engine should stop running. Sit down and the engine should run. Turn off the PTO by pushing the control switch down.
- h. To drive in the FORWARD direction:
  1. Set the engine speed to 2000 to 2500 rpm (refer to tachometer on right control panel). This must be increased to full speed (3525-3675 rpm) after becoming familiar with the machine.
  2. Release the park brake.
  3. Slowly, move both lap bars toward the front of the machine until the machine begins to move forward — release the lap bars and the machine should stop moving. The more that the lap bars are moved toward the front of the machine, the faster the machine will move in the forward direction. Release the lap bars and the machine should stop traveling forward. (This is a safety check, the normal procedure is for the operator to slowly bring the lap bars to the neutral position).
  4. Do not advance the lap bars rapidly as this could cause turf defacement, loss of traction, and/or instability.
  5. To turn, advance one lap bar ahead of the other and the machine will turn toward the

opposite from the side that was advanced — I.E. to turn clockwise (to the Right), move the LEFT lap bar forward more than the right side, and to turn counter-clockwise (to the LEFT), move the RIGHT lap bar forward more than the left side. NOTE: If one lap bar is in the neutral position and the other is advanced, the turn side tire will not rotate and a "pivot turn" will be executed — turf defacement could occur (if on grass) as well as potential damages to the traction surface and the tire. If the lap bar on the turn side is not brought all the way to neutral, then the turn side tire will continue to rotate and a "U-turn" will be executed with a low potential for turf defacement as well as traction surface and tire damage.

- i. To drive in the REVERSE direction:
  1. Make sure no bystanders, animals, or objects are behind the machine. Look behind the machine, and use extreme care.
  2. Slowly, move both lap bars toward the rear of the machine until the machine begins to move rearward. Release the lap bars and the machine should stop. The more the lap bars are moved toward the rear of the machine, the faster the machine will move in the reverse direction. Release the lap bars and the machine should stop traveling in reverse (this is a safety check, the normal procedure is for the operator to slowly bring the lap bars to the neutral position).
  3. Do not retard the lap bars rapidly as this could cause turf defacement and/or loss of traction.
  4. To turn, retard one lap bar ahead of the other and the machine will turn toward the same side that was retarded — I.E., to turn counter-clockwise (to the LEFT), move the LEFT lap bar rearward more than the right side, and to turn clockwise (to the RIGHT), move the RIGHT lap bar rearward more than the left side. NOTE: If one lap bar is in the neutral position and the other is retarded, the turn side tire will not rotate and a "pivot turn" will be executed. Turf defacement could occur (if on grass) as well as potential damages to the traction surface and the tire. If the lap bar on the turn side is not brought all the way to neutral, then the turn side tire will continue to rotate and a "U-turn" will be executed with a low potential for turf defacement as well as traction surface and tire damage.
- j. To perform a "zero turn":
  1. Please note, a zero turn maneuver can not be executed while the machine is moving in the Forward or, Reverse directions, the machine must come to a stop first.

2. To turn clockwise, slowly move the LEFT lap bar forward while simultaneously moving the RIGHT lap bar rearward. Release both lap bars and the machine should stop turning.
3. To turn counter-clockwise, slowly move the RIGHT lap bar forward while simultaneously moving the LEFT lap bar rearward. Release both lap bars and the machine should stop turning (this is a safety check, the normal procedure is for the operator to slowly bring the lap bars to the neutral position).

### 3. Start the Engine:

- a. Open the fuel shutoff valve by selecting the left or right tank position.
- b. Sit on the Seat. Set the parking brake "On".
- c. Make sure that the left and right steering levers are in their neutral position.
- d. Turn the electric blade clutch switch "Off".
- e. Push the throttle control to a position a third of the way between slow and fast.
- f. Insert the key in the ignition and start switch, turn the switch to "On", and wait for the glow-plug light to go out.
- g. Turn the ignition key in a clockwise direction to the "Start" position until the engine starts.

**Note:** Do not hold the key in the "Start" position for more than 10 seconds or you may damage the starter. If the engine does not start in this time, wait about 30 seconds and try again.

4. **Operating the Mower:** Operating a zero-turning-radius mower is not like operating a tractor-type riding mower. The zero-turning-radius mower is much more maneuverable and much less fatiguing to operate. However, getting used to the fingertip control of the zero-turning-radius mower takes some practice. We strongly recommend that you locate a "test area" where you can operate the mower for about 30 minutes without being disturbed.
  - a. Get into the operator's seat.
  - b. Start the engine.
  - c. Use the transport lever to raise the mowing deck to the transport position. Make sure the blade clutch switch is off.
  - d. After the engine has warmed, adjust the throttle to the fast position.
  - e. Release the parking brake.
  - f. Fold in the steering levers to the operating position.



### **WARNING:**

When operating this mower forward, do not allow the steering levers to return to the neutral position on their own. Always maintain a firm grip on the steering levers, operate them smoothly and avoid any sudden movements of the levers when starting or stopping.

- g. To go forward, move both steering levers slightly forward and the mower will slowly move forward. The farther you move the levers forward the faster the mower will go forward.
- h. To back up, move both steering levers slightly backward and the mower will slowly move backward. The farther you move the levers backward the faster the mower will go backward.
- i. To turn, pull the lever back on the side to which you want to turn. The farther back you pull the lever, the faster and more sharply you will turn. Initially, you will have to be careful to avoid turning to fast and too far.
- j. After you have mastered operating the mower, use the second foot pedal to lower the mowing deck to the cutting position and pull on the electric blade clutch switch to start the blades rotating.
- k. Practice mowing in straight passes. When you feel confident, slowly practice mowing around obstacles such as trees.

### 5. Parking the Mower:

- a. Push off the electric blade clutch switch.
- b. Use the upper foot pedal to raise the mowing deck to the transport position.
- c. Drive the mower to the cleanup or storage area.
- d. Move the throttle to slow.
- e. Place the steering levers in the neutral position.
- f. Set the parking brake.
- g. Turn off the ignition switch and take the key from the switch.
- h. Close the fuel shutoff valves.

## E.Mower Cutting Blades

The blades normally "factory installed" on a mower afford the best grass cutting performance on the majority of grasses and mowing conditions; however, there will be occasions whereby the grass type, stage of grass growth, soil conditions, and weather conditions will require different cutting blade types. Since the mower decks are designed so that over-lap of the cutting blades generally exceed 1.5", there is no need for orientation of one cutting blade to an adjacent blade (I.E., the blades do not need to be "timed" nor synchronized).

**Hi-lift-** These are generally the best cutting blades for most grasses and mowing conditions. These blades will provide extra "lift" for the thinner leaf grasses, will handle lush grasses, and will provide maximum grass and debris discharge. These blades are generally required for material collection systems. More horsepower is



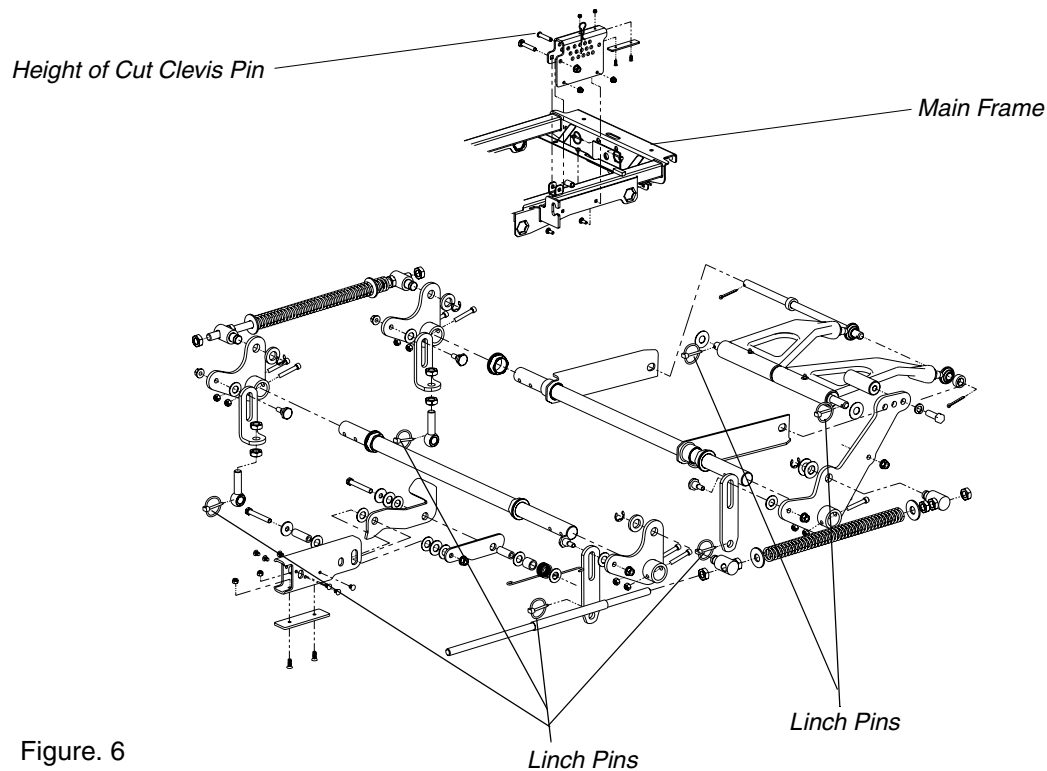


Figure. 6

required for these blades when compared to others, and they generally produce the highest noise levels.

**Medium-lift-** These blades require less horsepower than the hi-lift, and they generally work well in wider leaf grasses and some mulch applications.

**Low-lift-** These blades require less horsepower than hi-lift and medium-lift blades, and they generally work best with wide leaf grasses, sparse grass growth, and sandy soil conditions. They generally produce the lowest noise levels. Bahia blades are configured without offset, and with a maximum amount of sharpened cutting edge.

**Mulch-** These blades are generally designed for use in cutting decks equipped with mulch baffles. The shape of the blade generally produces higher turbulence in order that the grass can be repeatedly cut and re-cut into smaller pieces. These blades generally require more horsepower than other blades. Mulch blades work best when the grasses are cut at the highest levels, minimal lengths of grasses are removed, and grass conditions are generally dry.

## F. Cooling System

This product is equipped with a cooling system employing state-of-the-art technology. A 12VDC powered fan draws air “upward” through a high efficiency multi-pass heat exchanger for about 10 minutes, then stops, runs in the “downward” direction for about 1 minute. Except for engine starting when the fan does not run for the first minute, the fan blows downward (to clear debris on the inlet screen) for about 1 minute, then upward for about 10 minutes...this 1 and 10 minute cycle repeats until the engine is shut off. The heat exchanger is mounted at an angle so that the heat will be blown away from the operator station. The heat exchanger can

be unlatched, pivoted upward, and secured via a prop-rod for access to the engine, etc.

## MAINTENANCE AND SERVICE

### WARNING:

Disconnect the spark plug wires or remove the key from the ignition to prevent the engine from accidentally starting before performing any maintenance on this mower.

### A. Mower Deck

#### 1. Removing the Mower Deck:

- a. Apply the parking brake. Remove ignition key and both spark plug caps.
- b. Lower the cutter deck to the ground. Capture the foot pedal by placing the height of cut clevis pin in the “lock” position.
- c. Remove tension of the PTO belt by moving the belt tensioning rod.

**Note:** There is a certain amount of spring tension due to the weight of the deck. When removing the lift linkage from the deck the tension of the springs will go from the deck to the lift handle. Not capturing the lift handle while removing the lift linkage from the deck will cause it to snap back.

- d. Detach the mower drive belt.
- e. Remove six linchpins (See Fig. 6) (4) from the deck and (2) from the front of the mower. Remove the linchpins on the left and right rear

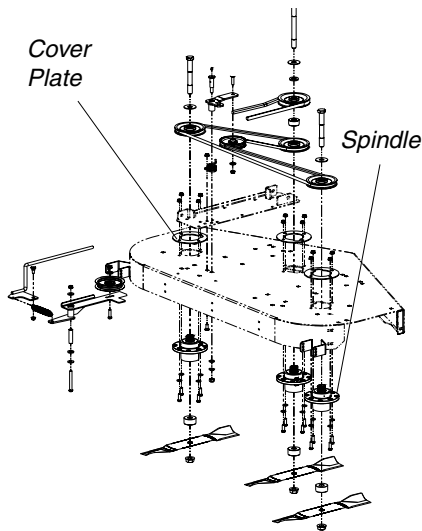


Figure. 7

side of the cutter deck (2); remove the linchpins on the left and right front side of the cutter deck (2); and remove the linchpins on the front of the mower (2).

- f. Turn front caster wheels outward.
- g. Shift the deck toward the ignition switch side of the mower and remove.
- h. To install reverse the process.

## 2. Changing a Blade:

- a. Remove the Key from the ignition and disconnect the spark plug.
- b. Jack up the front of the mowing deck about one foot and block it in that position.
- c. Wrap a rag around one end of the blade and grasp it to prevent it from turning, or secure the blade by placing a block of wood between the blade and the deck housing.
- d. Use a 1-1/8" socket wrench on the pulley side of the spindle to secure.
- e. Remove the hex nut using a 1-1/8" wrench.
- f. Remove the hex nut.
- g. To replace the blade reverse the above process and tighten nut to 100-120 lb-ft.

### **WARNING:**

**Never mow with dull blades! Blades that are bent should be replaced! The cutting blades are sharp and can cause severe injury. Wrap the cutting surface of the blade with a rag to avoid injury.**

## 3. Sharpening a Blade.

- a. Set the parking brake.
- b. Clean any debris from the blades. Keep blades sharp and free of build up at all times.
- a. Sharpen blades evenly at the original 30° angle to maintain balanced cutting blades. Do not sharpen the underside of the blades. Use a electric blade sharpener, a conventional electric grinder or a hand file to sharpen the blades.

- b. Replace any blade with severe nicks or dents that cannot be removed by filing.
- c. Check the balance of the blade after sharpening by placing it on a blade balancer. Do not use un-balanced blades.
- d. If the blade dips on one end, file stock off of the cutting surface on that end.

**Note:** Blades that cannot be easily balanced—REPLACE.

## 4. Changing the Blade Drive Belts:

- a. Set the parking brake. Remove ignition key and both spark plug caps.
- b. Unscrew the wing nuts from the deck covers and remove both covers.
- c. Remove tension of the PTO belt by moving the belt tensioning rod. Loosen the belt retaining bolt.
- d. Using a 1/2" socket breaker bar or socket ratchet insert the male end into the 1/2" opening in the lower idler arm assembly and pull the idler arm clockwise. While holding the idler arm back, loosen the blade drive belt from the pulley and slide the belt away from the pulley.
- e. Pull the tensioner pulley away from the belt and remove the PTO belt then remove the blade drive belt.
- f. Reverse the process to install the belt.

**Note:** When replacing belts do not over-tighten. Adjust the idler pulley so that a ten-pound pull with a spring scale between two pulleys deflects the belt about 1/2".

## 5. Changing the Spindle Assembly

- a. Jack up the front of the mowing deck about one foot and block it in that position.
- b. Make sure the blade clutch is disengaged.
- c. Remove the deck cover.
- d. Remove the drive belts. (See 3. Changing Blade Drive Belts.)
- e. Remove the cutter blade. (See 2. Changing a Blade.)
- f. Using a wrench or socket ratchet remove four hex nuts, and the four hex head cap screws. Remove the spindle assembly.

## B. Hydraulic Oil

### **WARNING:**

**Never overfill the hydraulic units. Damage can occur if the oil level is not within the proper operating range.**

**Note:** when adding hydraulic oil, do so in small quantities and recheck the oil level before adding more. It is important that you do not overfill the reservoir to allow for fluid expansion.

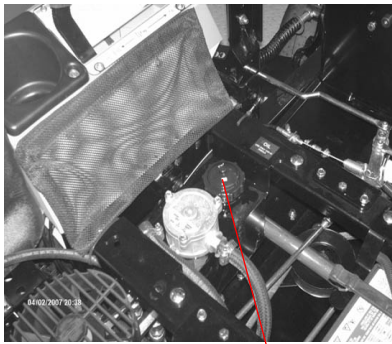


Figure. 8 Hydraulic Tank

### 1. Adding Hydraulic Oil (use Shell Rimula 15W40)

- a. Place the Mower on a level surface and engage the parking brake.
- b. **Stop the engine and remove the key from the ignition switch.**
- c. Clean the area around the Hydraulic Oil fill neck.
- d. Remove the hydraulic fill cap and check the level. The correct level is a 1/4" below the oil tank fill neck.
- e. Pour hydraulic oil into the reservoir a 1/4" below the oil tank fill neck, if necessary.

### 2. Draining Hydraulic Oil

Used hydraulic oil must be disposed of properly. Do not pour it down a drain or sewer, or dump it on open land, this creates an environmental hazard. Please be aware of the environment when disposing of used oil.

- a. Place the Mower on a level surface and engage the parking brake.
- b. Stop the engine and remove the key from the ignition switch.
- c. Remove the mower deck. See section on Mower Deck.
- d. Raise the seat forward to expose the hydraulic oil fill point.
- e. Clean the area around the hydraulic fill oil cap.
- f. Remove hydraulic fill oil cap.
- g. Place a suitable container (at least 2 gallon) under the hydraulic reservoir.
- h. Remove the drain plug from the bottom of the hydraulic oil tank to drain. Replace the plug.
- i. Place a small pan under the pump motor frame. Remove fill oil cap from hydraulic reservoir for faster drainage. Remove nut caps

and drain oil from both left and right pumps. Replace and retighten nuts.

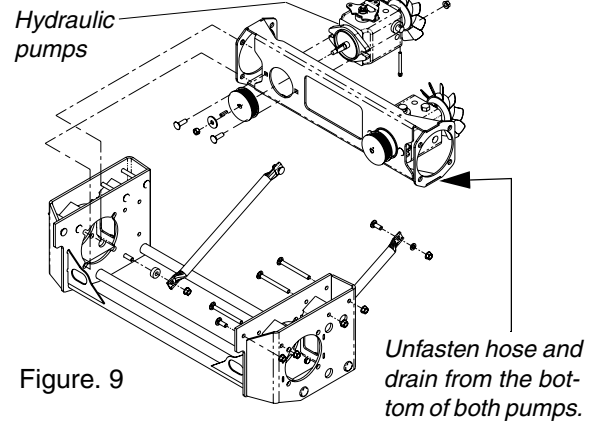


Figure. 9

- j. Remove the three screws from the top of the oil filter and replace the oil filter element. Coat the sealing surface with Shell Rimula 15W40 oil or equivalent. Install the three screws back into the oil filter.
- k. Add proper amount of hydraulic oil to reservoir. Use Shell Rimula 15W40 or equivalent.
- l. Run and purge pumps and motors. Check oil level.
- m. Add proper amount of hydraulic oil to reservoir and repeat step L.

## C. Electrical Circuit

**! Danger:**

Read General Safety Precautions Nos. 9 and 10.

1. **Battery:** The battery is located beneath the operator's seat. Remove the fillcaps and check the level of the liquid electrolyte in the battery every 50 operating hours. If the level in any of the six cells has dropped below the bottom of the split ring inside the fill hole, refill the cell with distilled water. To keep the outside of the battery clean, brush on a strong solution of bicarbonate of soda and water and rinse with clean water. Keep the contacts and cable ends clean with a wire brush and make sure the connections are tight. Coat the terminals with petroleum jelly to prevent corrosion.
2. **Battery Storage:** When storing the Mower for long periods of time the following guidelines should be taken.
  - a. Disconnect the battery cables from the terminals and remove the battery. You will have to remove the control panel to access the battery strap. Replace control panel.
  - b. Clean the battery before storing. A dirty battery will lose its charge over time.

- c. Store the battery with a full charge. A discharged battery will freeze (refer to the table below).

Specific Gravity	Freezing Temp (°F)
1.265	-71
1.250	-62
1.200	-16
1.150	5
1.100	16

- d. Recharge battery when ever the specific gravity value is less than 1.225

### 3. Battery Removal



#### Warning:

When removing the cables from the battery follow these steps to avoid a short between the wrench and the frame.

- a. Remove the Negative (black) cable.
- b. Remove the Positive (red) cable.
- c. Release the hold down straps.
- d. Remove the battery without tipping.

### 4. Installing the Battery

**Note:** The battery is delivered from the factory fully charged and filled with electrolyte.

- a. Attach the Positive (red) cable.
- b. Attach the Negative (black) cable.
- c. Attach the rubber battery strap.

### 5. Jump Starting



#### Warning:

Failure to use this starting procedure can cause sparking, and the gases in the battery to explode.

- a. Attach the end of the red jumper cable to the Positive terminal (+) of the charged battery.
  - b. Attach the other end of the red jumper cable to the Positive terminal (+) of the low charge battery.
  - c. Attach the end of the black jumper cable to the Negative terminal of the charged battery.
  - d. Attach the other end of the black jumper cable to the frame of the unit with the low charge battery.
6. **Fuses:** There are two fuses located in the wiring between the ignition and start switch and other electrical components. This is a standard plug-in type automotive fuse rated at 30 amp for the

main harness and 5 amp for the glow plug switch and 30 amp for the radiator fan.

- 7. **Safety Switches:** There are three safety switches in the electrical circuit which control the engine. They are (1) the blade clutch switch, (2) the steering lever/parking brake switch, (3) the seat switch. They operate so that in order to start the engine, the blade clutch switch must be off, the parking brake must be engaged, and both steering levers must be in the neutral position. Once the engine is started, the seat must be occupied and the parking brake must be released before either of the steering levers can be moved. Also, the seat must be occupied before the blade clutch switch can cause the blades to rotate.
- 8. **Safety Switch Operation Checks:** The following operational checks should be made daily.
  - a. **Blade Clutch Switch:** Sit in the operator's seat. With both steering levers in the neutral position and the parking brake engaged, turn the blade clutch switch "on" and try to start the engine. The engine should not start. If it does, the blade clutch switch must be replaced. If the engine does not start, turn the blade clutch switch "off" and start the engine. Now turn the blade clutch switch "on" and the blades should rotate. If the blades do not turn, the blade clutch switch must be replaced, the seat switch must be replaced or the electric PTO clutch must be repaired.

The air-gap should be checked every 100 hrs. (or less, if severe operating conditions exist such as when there are many on/off cycles, mulching operations, material collection systems used, and dusty/dirty conditions), and the air-gap adjusted if more than 0.025". To inspect, remove the "negative" cable from the battery and all sparkplug wires. The air-gap should be checked with feeler gages in the three slots of the BBC (PTO Clutch). See page 24 for air gap adjustment specs. There are three inspection slots in the brake cover. To adjust, successively tighten each of the three gap adjustment nuts an equal amount. Insert a feeler gage (see page 24 for specs) into each slot as the air gap adjustment nut are tightened. The correct adjustment occurs when slight contact with the feeler gage occurs. Engage the BBC (PTO Clutch) a couple of times, and re-check the air-gap. If it is not between the specs listed on page 24, repeat the adjustment procedure.

- b. **Steering lever/Parking Brake Switch:** Sit in the operator's seat. With both steering levers in the neutral position and the blade clutch switch "off", release the parking brake and try

to start the engine. The engine should not start. If it does, the parking brake switch must be repositioned or perhaps replaced. If the engine does not start, engage the parking brake and start the engine.

- c. **Seat Switch:** With both steering levers in the neutral position, the parking brake engaged and the blade clutch switch in the "off" position, start the engine. Now release the parking brake, hold down on the back of the operator's seat against spring pressure. Release the operator's seat and the engine should stop. If the engine does not stop, the seat switch must be replaced. With both steering levers in the neutral position, the parking brake engaged and the blade clutch switch in the "off" position, sit in the operator's seat and start the engine. Turn the blade clutch switch to the "on" position and the blades should start to rotate. Raise up slightly off the operator's seat and the blades should stop. If the blades do not stop when you dismount from the operator's seat, the seat switch must be replaced.
- d. **Electric PTO Clutch:** This clutch operates when the engine is running, the operator is in the operator's seat and the blade clutch switch is turned on. This electric clutch is a fairly trouble free device. If a problem develops and the blades do not turn, first check the 20 amp fuse and then investigate the wiring harness and the connections to the seat switch, the blade clutch switch and the electric blade clutch. Then check out the seat switch, the blade clutch switch and finally the electric blade clutch.

## D. Tires

The two front wheels are caster wheels that are free to swivel to accommodate the direction of the Mower.

The two rear wheels are used to propel the Mower in the direction of input from the drive handles. Inflation pressure of the rear tires is important for stability while the Mower is in operation. If the tire diameter is not equal between the two tires, the Mower will pull to one side.

1. **Inflation Pressure:**
  - a. Traction Tires—20 psi max; 10-12 psi recommended
  - b. Front Caster Wheel—28 psi max; 20-25 psi recommended
  - c. Cutting Deck Ball Wheels—Solid Polyurethane.

Use the Following guidelines for maintaining the tires:

- a. Balance inflation pressure between the rear tires to help maintain straight travel

(see tire side wall for proper inflation pressure).

- b. Keep the valve caps tightened to prevent air pressure loss.
2. **Leaking Tires:** When a flat tire occurs, repair or replace immediately. The normal procedure is to remove the wheel and replace it with a spare. Take the leaking tire to a maintenance area and repair. If a tire is getting soft, park the mower on the nearest level, paved area. If the leaking tire is on a traction wheel, put blocks on each side of the opposite traction wheel and jack up the tire that leaks about an inch off the ground. Loosen and remove the lug nuts and remove the wheel. Mount a spare wheel and tire, replace the lug nuts, and using a torque wrench, tighten them to  $60 \pm 10$  lb-ft.

If the leaking tire is on a front caster wheel, block both traction wheels and raise the caster wheel so that the tire is an inch off the ground. Loosen and remove the locknut from the axle assembly and pull the axle assembly from the caster yoke. The wheel and two spacer sleeves will drop free. Slip the axle assembly through one side of the caster yoke, through a spacer sleeve, a spare wheel, the other spacer sleeve and finally through the other side of the caster yoke. Then tighten the locknut on the end of the axle assembly.

Lower the mower off the jack and continue mowing. The wheel with the leaking tire should be taken to the maintenance area, the tire inflated to 20 psi and the wheel placed in a large bucket of water. Carefully inspect the tire, rim and valve for escaping air bubbles which indicate a leak. Mark each leak with a yellow marking crayon and then deflate the tire to 8 psi and repeat the inspection. If the leaks you find are pin hole size to 1/16" diameter, the tire can be repaired using an aerosol can of tire inflator and latex sealer available from any auto supply store. Follow the directions on the can. If the leaks are larger than 1/16" diameter, the tire can be repaired with rubber plugs also available in a kit from any auto supply store. If the tire bead is damaged, a tube will have to be installed in the tire or the tire will have to be replaced.

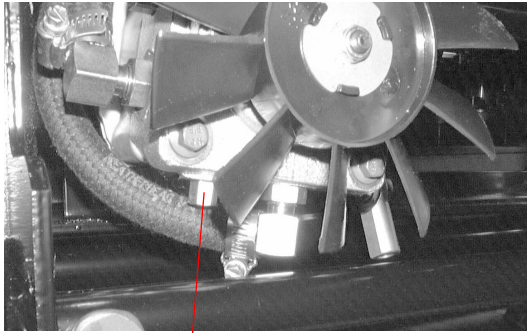
3. **Creeping:** Creeping is the slight forward or backward movement of the mower when the throttle is on and the lapbars are in the neutral position. If your mower creeps, refer to Steering Lever Adjustment Section F4, page 23.

## E. Brakes

While the mower is in motion, all braking is performed dynamically through the hydraulic pumps and traction

motors, controlled by the two steering levers. When the mower is parked with the engine shut off, the hydraulic system locks the traction wheels.

**Note:** To move the mower forward or in reverse by pushing, you must release the dynamic braking. Locate the valves on the pump. Turn valves counter-clockwise (using a standard 7/16" wrench) one quarter turn to push the unit. After pushing the mower to the desired location, return both valves to the operating position by turning the valve clockwise, but do not over-tighten(See photo below).



Hydro Release Valve

When the mower is parked with the engine running and the steering levers in the neutral position, the parking brakes should be applied. The parking brakes are drum-type brakes mounted on each traction wheel. They are both engaged by the same operating lever.

1. **Adjustments:** The parking brake handle is an overcenter lever that should engage with moderate force.

**Note:** To increase parking brake capacity, adjust brake cables at the brake arms equally. Adjust the cable housing nuts one full turn and check parking capacity. Repeat if parking brake does not hold.

2. **Repair:** The mower is equipped with drum brakes and will not normally require maintenance. If they are not working properly, please contact your service center.

## F. Hydraulic System

### **WARNING:**

Never overfill the hydraulic units. Damage can occur if the oil level is not within the proper operating range.

**Note:** When adding hydraulic oil, do so in small quantities and recheck the oil level before adding more. It is important that you do not overfill the reservoir to allow for fluid expansion.

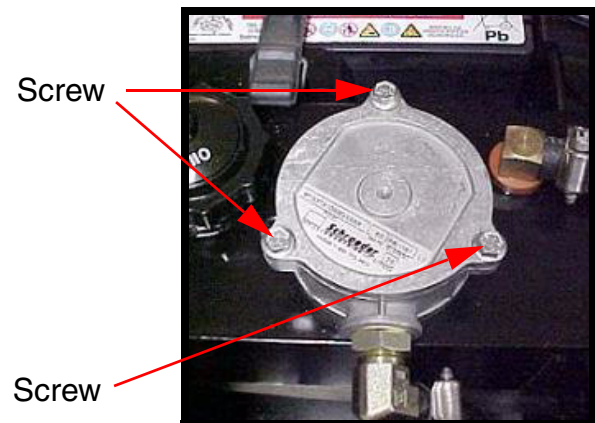
1. **Hoses:** Check the hoses from the hydraulic oil tank to the oil filter to the hydraulic lines daily for leaks or abrasion and replace any damaged

hoses. Make certain there are no kinks or twists in any hose.

### 2. **Hydraulic Oil Tank and Filter:**

**Note:** Change the hydraulic oil and the oil filter element after the first 50 hours of operation and every 500 hours thereafter.

To drain the hydraulic oil tank, place a 2 gallon drain pan under the drain plug on the bottom of the hydraulic oil tank. Remove the drain plug, drain the tank, then replace the plug. Remove the three screws from the top of the oil filter and take out the oil filter element. You don't have to drain the rest of the hydraulic system. Put the replacement filter element in the oil filter and lubricate the sealing surface. Install the three screws in the top of the oil filter to secure the oil filter element. (See photo below)



**Note:** Always wipe off the hydraulic tank fill cap and the area around it before removing the cap to prevent dirt from contaminating the oil.

Remove the fill cap and fill the tank with Shell Rimula 15W40 oil until the oil level is a 1/4" below the oil tank fill neck. Leave this air space for expansion. Start the engine and let it run at idle for about five minutes. Check the filter for leaks. Idling the engine and the pumps in this way will purge any air from the system. Shut off the engine and recheck the oil level in the tank. Top-off if necessary until the oil level is a 1/4" below the oil tank fill neck.

**Note:** After unit is up to operating temperature, turn off engine and re-check hydraulic oil. If oil appears foamy or contains excessive air bubbles, DO NOT OPERATE UNIT. Contact service technician.

3. **Hydrostatic Pumps and Motors:** The pumps are the hardest-working components in the hydraulic system. They are in operation all the time the engine is running. Because of extremely close tolerances, wear is an important factor in their life. **Contaminants** in the hydraulic oil and **cavitation** does the greatest harm to the pumps. Cavitation is a blockage in the supply lines that produces a partial vacuum causing

violent bubbling in the hydraulic oil in the pump.

Check the two suction hoses (the hoses connected to the filter) daily before starting the engine. Look for a flattened condition or any leaks and repair or replace as necessary. A flattened or leaking suction hose will permit cavitation to develop which can destroy the pumps in a short time.

Contaminants or foreign matter in the oil will also damage the pumps. To prevent this, use a filter that captures particles as small as 25 microns or 25 millionths of a meter in diameter. You can help in the battle against dirt by being very careful when you remove or repair a component in the hydraulic system. Thoroughly clean off any component before you work on it. Plug the ends of any hose or line you remove with a rubber or plastic plug. Use plastic caps to seal off the ends of hydraulic fittings. Place any component you remove in a clean plastic bag so it can't pick up dust or dirt. Clean your hands frequently when working on the hydraulic components.

**Note:** The pumps are not owner-repairable. If a pump fails, contact your Cub Cadet Commercial dealer. Do not disassemble the pump.

4. **Steering Lever Adjustments:** The steering lever controls on this Zero Turn Mower (ZTM) incorporate a patented interlock mechanism that secures them in their Neutral position whenever the Park Brake lever is applied. Additionally, the lap bars can be opened in any position - Neutral, when traveling Forward, when traveling in Reverse, or when executing a zero-turn maneuver. The lap bars also incorporate a Return-To-Neutral (RTN) feature with hydraulic dampers to provide smooth, non-jerkey, control motion while affording an automatic hydrostatic braking means.

Whenever the Park Brake lever is moved rearward to the Park Brake engaged position, a cable mechanism, connected to each drum brake on the hydrostatic wheel motors, applies force to each brake lever so that each wheel brake mechanism can prevent brake drum and wheel rotation. At the same time, a second cable and linkage mechanism is activated to secure both lap bars in their Neutral positions and to activate the Park Brake switch. Both lap bars must be in their Neutral positions for the neutral lock linkage to function - the spring-loaded linkage will force rods in through aligning holes in each lap bar

whenever the lap bars are in their Neutral positions.

**Note:** Both lap bars must be in their Neutral positions for the Park brake interlock mechanism to function so as to prevent lap bar movement (movement that would activate the hydrostatic pumps producing Forward or Reverse travel rotation of the wheel motors) and to allow the Park Brake switch to be activated.

Whenever the Park Brake is applied (I.E., the Park brake lever moved completely rearward in the control panel slot), the lap bars should be secured in their Neutral positions by the linkage rods moving into the holes in the lap bars. This lap bar Neutral lock mechanism also activates the Park brake switch, which allows for the engine to be started. If the lap bars are in their Neutral positions, and they are not "locked" so as to prevent movement when the Park brake is applied, then the linkage from the RTN on the hydrostatic pumps and the lap bars must be adjusted. This is done by determining which side (or both) rod is not aligned to the hole in the lap bar, then locating that side linkage rod turn-buckle at the hydrostatic pump RTN, loosening the jam nuts and lengthening or shortening the linkage rod so that the rod snaps into the hole in the lap bar.

Dampers are incorporated into the lap bar linkage to provide smooth, non-jerkey, control action. The damper rate can be adjusted by relocating the damper - lower to reduce the damper action, and elevate to increase.

**Note:** The engine should be able to be started whenever the Park Brake is applied, and the lap bars are locked in their Neutral positions - if not, the switch may need to be adjusted or replaced.

Whenever the ZTM is on level ground with the engine running and the lap bars in their Neutral positions, the ZTM should not creep (I.E., move in the Forward or Reverse directions of travel). If this occurs, contact your Service representative for the procedure to reset the RTN mechanism on the hydrostatic pumps. If the hydrostatic pump RTN is adjusted, the control linkage must also be readjusted.

## G. Cooling System

1. The cooling system should be inspected on a regular basis for restrictions to air flow through the heat exchanger core, and for leaks.
  2. The heat exchanger core should be cleaned by moderate (50 psi) pressure air or water, but not by brushing.
  3. The coolant is a 50:50 mixture of de-ionized water and Shell Dex-cool ELA. The total volume is approximately 6.5 quarts. The coolant should be replaced each operating season (or 750 hours).
  4. Make sure the coolant level is correct "cold" in the reservoir/overflow bottle.
- d. Push the mower outdoors and start the engine. Let the engine idle until it has warmed up completely (4 to 5 minutes).

## H. Storage

1. **General:** If your mower will not be in service for a few months, it should be stored in a dry location that is not subject to drastic changes in temperature. Before storing, the following maintenance procedures should be performed.
  - a. Clean the mower. The entire tractor and cutting deck should be washed and cleaned.
  - b. Sharpen the blades so that the mower will be ready to use when needed.
  - c. Protect the metal surfaces. Repair scratches with the appropriate touch-up spray paint. Brush a rust preventive oil on any unpainted surfaces including the pulleys and blades. (Be careful not to get any oil on the drive belts.)
  - d. Lubricate the mower.
  - e. Drain the engine oil. The engine should be warm so that all the oil drains. Replace the engine oil filter and refill the crankcase with fresh oil.
  - f. Clean the battery and make sure it is fully charged.
  - g. Inspect the hydraulic hoses, lines and fittings. Replace as necessary.
  - h. Jack the mower up and store it on blocks to take the weight off of the tires.
2. **To Put the Mower Back in Service:**
  - a. Check the battery. Charge if necessary.
  - b. Check the level of the oil in the crankcase and the hydraulic tank.
  - c. Lower the mower off the block and check the tire pressure.



# MAINTENANCE SCHEDULE

## A. Daily Checks

### 1. Before starting engine:

- a. Check the fuel level.\*\*
- b. Check the fuel strainer water trap and drain off contaminants if present.
- c. Check the engine oil level.\*\*
- d. Check the hydraulic oil level.
- e. Check the hydraulic hoses for leaks, abrasion, kinks, twists, or a flattened condition.
- f. Check coolant level in overflow bottle and replenish as necessary.
- g. Check the tires and tire pressure.  
Drive Tires: 10-12 psi.  
Front Caster Wheels: 20-25 psi.
- h. Check the spindle belt, the mower drive belt and the hydro drive belt.
- i. Check the blades. Make sure they are sharp and that the blade securing cap screws are tight.
- j. Check the cutting height.

### 2. When ready to start the engine:

- a. Check the five safety switches for proper operation.

### 3. After mowing:

- a. Clean the mower.
- b. Clean the engine air screen.
- c. Oil the wear points. Follow the Oiling Chart.
- d. After the first five hours, Change the engine oil and engine oil filter.

## B. Every 25 Hour Checks

1. Service the engine foam element air pre-cleaner.\*
2. Grease the three spindle bearings.
3. Check the radiator screen and clean as necessary.

## C. Weekly or Every 50 Hour Checks

1. Change the engine oil. Use Shell Rimula 15W-40. (Every 25 hours under heavy duty operation.)
2. Clean or replace the engine's paper air cleaner element.\*
3. Check the battery's electrolyte level.
4. Clean the engine cooling fins and external surfaces.\*
5. After the first 50 hours, change the hydraulic oil and the hydraulic oil filter. Change them every 500 hours thereafter. Use Shell Rimula 15W40 or equivalent.
6. Oil wear points. **Follow the Oiling Chart.**

7. Lubricate all grease fittings. **Follow the Lubrication Chart.**

## D. Every 100 Hour Checks

1. Change the engine oil filter. (Every 50 hours under heavy duty operation.)
2. Check the engine spark plugs.

## E. Every 500 Hour Checks

1. Change the hydraulic oil and the hydraulic oil filter.
2. Change the fuel filter.

## F. Yearly Checks

1. Check the oil in the hydraulic reservoir.
2. Check the air gap on the blade brake clutch (PTO Clutch) and if it exceeds 0.025" adjust to 0.015" - 0.022".

**Engine coolant:** Use only Shell Dex-cool, extended life anti-freeze diluted with water to create a 50:50 mixture.

**Hydraulic fluid:** Use Shell Rimula 15W40 oil.

**Engine Oil:** Use Shell Rimula 15W40 oil.

**Spindle Lubricant:** Use only Shell Alvania RL 2 grease. This grease is an amber-colored grease designed for high speed bearing applications. It has a base oil viscosity that reduces running losses, has been formulated for low noise, has excellent corrosion protection, and has excellent bearing lubrication.

**General Purpose Lubrication:** Use any NLGI grade 2 multi-purpose grease. Shell Albida EP2 is recommended. Shell Albida EP 2 is a red-colored multi-purpose grease designed for heavy-duty bearing applications. It has high base oil viscosity for mechanical stability, has been formulated for high load, low-speed applications, and has excellent lubrication and corrosion protection.

**\* Perform maintenance more frequently under dusty conditions.**

**\*\*Reference Engine Owner's Manual**

## OIL CHART

Apply a few drops of engine oil or use a spray lubricant. Apply the oil to both sides of pivot points. Wipe off any excess. Start engine and operate mower briefly to insure that oil spreads evenly.

<i>Number of Oil Points</i>	<i>Description</i>
<b>DAILY</b>	
4	Deck Suspension Pivots
4	Height Adjustment Turnbuckle Clevis Pin
2	Height Adjustment Handle Pivots
2	Height Adjustment Stop Pivots
2	Deck Lift Linkage Pivots
2	Transport Handle Pivots
1	Transport Handle Pin
2	Deck Frame Up-and-Down Pivots
<b>WEEKLY</b>	
1	Seat Hinge
2	Steering Lever Linkage Rod End Bearings
2	Lever Return Assembly Rod End Bearings
2	Pump Control Lever Pivots
1	Brake Lever Pivot
1	Brake Lever Control Rod Ends
1	Brake Control Rod Ends

## LUBRICATION CHART

Use a grease-gun filled with NO. 2 Multipurpose Lithium Base Grease

<i>No. of Grease Fittings</i>	<i>Description</i>
<b>EVERY 25 HOURS</b>	
3	Blade Spindle Bearings
<b>WEEKLY</b>	
2	Front Caster Wheels
2	Front Caster Wheel Spindles
4	Mowing Deck Pivots
2	Deck Take-Up Idler Pivots
1	Axle Pivot
2	Steering Lever Pivots
1	Hydro Take-up Idler Pivot
2	Mower Deck Ball Wheels

# Performance Adjustments

## A. High Speed Tracking Adjustment

If mower tracks to one side with both lap bars in fully forward position:

1. Check air pressure in all four tires:
  - a. Pressure should be within specified ranges and balanced side-to-side.
  - b. Rear tires 10-12 psi. recommended (20 psi MAX.)
  - c. Front tires 20-25 psi. recommended (28 psi MAX.)
2. Check hydraulic fluid level (Ref. Engine owner's manual)
3. Verify that the mower does not creep when the engine is running, the lap bars are in the neutral position and the parking brake is released. (Refer to section D-3 on page 21 of this manual if this condition exists).
4. Recheck the tracking after any adjustments based on the above.
5. If uneven tracking persists, adjust as follows. (see Fig. 10)
  - a. Unit tracks to the RIGHT, adjust Left lap bar stop bolt to make it longer.
  - b. Unit tracks to the LEFT, adjust Right lap bar stop bolt to make it longer.
6. Re-check the tracking and make any fine tuning adjustments to the lap bar stop bolts as required.

**Note:** If stop bolt is adjusted too far, tracking problem will change sides. Make the fine tuning adjustments by shortening the same bolt.

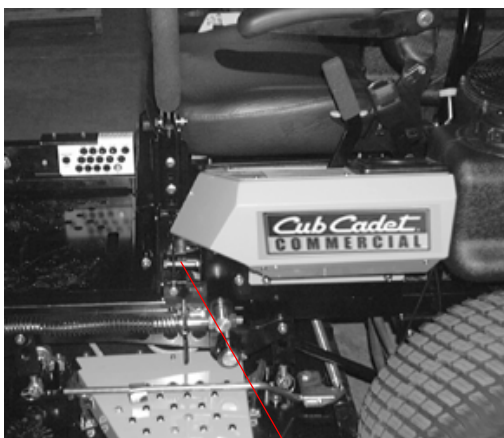


Figure. 10

Lap Bar Stop Bolt

## B. Enginge RPM Check and Adjustment

Description	High RPM Spec.	Low RPM Spec.
28.2 Hp Caterpillar	3675 +/-50	1200 +/-100
<b>NOTE:</b> RPM Specs. are for free running engines under no load.		

1. Verify that the lap bars are in the neutral position, the parking brake is on, and the PTO drive is disengaged.
2. Start the mower and let it run at approximately half throttle for 3-5 minutes to bring the engine up to operating temperature.
3. Locate the Hour Meter/Tachometer/ Service Minder display on the right hand operator control panel. (see Fig.1 on page 9 of the manual) This display defaults to Tachometer mode when engine is running.
4. Move the throttle lever to the high speed position and note the RPM reading on the display.
5. Move the throttle lever back to the low speed position and again note the displayed RPM's.
6. Compare these noted RPM readings to the specifications in Table 1, for the engine that is on your mower.
7. If the readings do not correspond to the ranges in the table, refer to the engine owner's manual for the proper adjustment procedures.
8. If adjustments per the engine operator's manual do not result in proper RPM readings, contact your service technician.
9. Note: The throttle cable sheath may shrink or slip over time, changing the relationship between the throttle lever on the left hand operator control panel and the throttle arm on the engine. To readjust the throttle cable:
  - a. Make sure the engine is off, place lap bars in the neutral position, set the parking brake, and disconnect and ground both of the spark plug wires.
  - b. Locate and loosen the cable clamp on the engine throttle plate.
  - c. Place the operator's throttle lever to the high speed position and then slide the cable through the clamp until the throttle arm is in the full throttle position. (Ref. Engine owner's manual)
  - d. Tighten the cable clamp.
  - e. Move the operator's throttle lever between high and low speed and verify that the engine throttle arm also moves through it's full range of motion.
  - f. Repeat as required to obtain proper throttle adjustment.
  - g. Verify proper throttle adjustment by checking RPM readings as outlined above.

### C. Deck Corner Ball Wheel Roller Settings

1. Matching the set heights of the ball rollers on the four corners of the mower deck to the desired cut height will prevent edge scalping and minimize any side-to-side variance in cut height.
2. There are three height adjustment holes in the bracket that mount the ball rollers to the deck.
  - a. Use the top set of holes for cut heights of 2 inches or lower.
  - b. Use the middle set of holes for a 2-1/2 - 3-1/2 inch cut height.
  - c. Use the bottom set of holes for cut heights of 4 inches or higher.

### D. Deck Center Anti-Scalp Roller Settings

1. The front and rear rollers help prevent the scalping of high spots and uneven terrain across the center section of the deck.
2. The rollers on the front of the deck are fixed at the factory and can not be adjusted.
3. The rollers on the rear of the deck can be adjusted downward one inch.
  - a. Lowering the roller will increase the stripping effect left behind the mower.
  - b. This positioning of the rear roller will also help to filter the mulched grass clippings into the turf.
  - c. Roller should not be lowered if the cut height is set at 2-1/2 inches or lower.

### E. Lap Bar Adjustment

1. Proper lap bar and seat adjustment will result in the following:
  - a. In the neutral position with hands on the lap bars,
    1. Operator's upper arms should be relaxed and approximately vertical.
    2. Operator's forearms should be approximately vertical.
  - b. In the full forward position,
    1. Operator's back should stay in contact with the seat back.
    2. Lap bars should not contact operator's legs.
  - c. In the full reverse position,
    1. Lap bars should not contact the operator's legs or torso.
2. Set the seat to the preferred operating position.
  - a. Adjustment lever is located under the front edge of the seat.
  - b. The seat has five inches of front-to-rear adjustment available.

3. Check factory settings of lap bars for the conditions listed above.

**Note:** If lap bar adjustments are required, height adjustments should be made prior to angular adjustments.

4. To adjust the height of the lap bars,
  - a. Remove the nuts from the lap bar mounting bolts (see Fig. 11).
  - b. Remove the bolts and lap bar and reposition to the second set of holes in the mounting block.
  - c. Replace the bolts and nuts and tighten to 28-34 lb-ft.
    1. If angular adjustments are also required, nuts can be tightened until snug at this point.
  - d. The same adjustments should be made to both sides of the mower.
5. To adjust the front-to-rear angle of the lap bars,
  - a. Loosen the nuts on the lap bar mounting bolts, leaving the bottom one fairly snug.
  - b. The top hole is slotted, allowing the lap bar to pivot on the bottom bolt.
  - c. Move lap bar to the desired angle and tighten the nuts to 28-34 lb-ft.

**Note:** In the neutral position, the handles of the lap bars should be aligned with approximately a one inch gap between the tips. Adjust the gap by adding shim washers to the top mounting bolt between the lap bar and the mounting block.

- d. Check the results of any adjustments to the conditions described in section a, above. Repeat any adjustment procedures as required until all conditions are met.

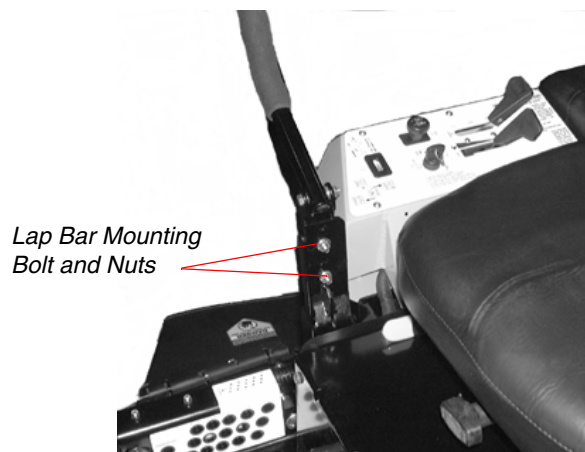


Figure. 11

## F. Deck leveling Procedure

1. Park the mower on a flat paved surface, engage the parking brake, shut off the engine, remove the key from the ignition switch, disconnect the spark plug wires and using the second foot pedal, lower the mowing deck into the 4" height of cut position. (The 4" height of cut position is recommended in order for one to see and obtain a measurement. Any height of cut position is acceptable as long as a proper measurement can be taken.)
2. Check the right and left front tire pressure. Adjust as necessary to 20-25 psi. Tire pressure can affect blade height by as much as a 1/4".
3. Check the right and left rear Drive tire pressure. Adjust as necessary to 10-12 psi.
4. Measure blade-to-ground height at the front tip of the right blade. To obtain an accurate measure, align blades in parallel with mower centerline, (i.e. front to back).
5. Measure blade-to-ground height at the front tip of the left blade. Be sure to measure at the blade tip with the blades arranged in proper position.
6. To level the deck, adjust the eyebolt at the left front of the deck (Point B) so that the blade-to-ground height at the right front blade tip matches that of the left front blade tip. This is done by loosening the jam nuts on the eyebolt and tightening the upper nut to raise the deck and loosening the nut to lower the deck. The right front blade tip height is fixed so you must adjust the left front tip to match it.
7. Measure the blade-to-ground height at the right rear blade tip. Again be sure to measure at the blade tip at the rear of the right blade when aligned along the mower centerline. The blade-to-ground height at the rear of the blade tip should be 1/8" to 1/4" higher than the front tip. This is referred to as blade pitch. The same height difference should be true for the left blade, measured front and back.
8. To adjust the blade pitch the deck pitch must be adjusted. Loosen the inner jam nuts at the rear of the horizontal threaded rods. Start at Point C to raise the rear of the deck, tighten the rear outer jam nut to raise the deck pitch. Adjust the rear jam nut at Point D to take the "slack out of the threaded rod."
9. The final adjustment would be to take the "slack" out of the left rear linkage (Point D) by adjusting the jam nuts on the eyebolt. Loosen the jam nuts and tighten the upper nut to remove "slack".
10. In many cases it will be necessary to adjust deck height using both eyebolt adjustments and pitch adjustment to achieve the correct blade-to-ground heights. If you remember that the front right blade tip adjustment is fixed and you level to that height, adjusting the decks will be simplified.
11. Once the deck is level one may find that the height of cut does not match the height of cut indicator. A final adjustment may be made by lowering or raising the height of cut link accordingly. To raise the deck: remove the shoulder bolt mounting the height of cut link to the lift handle and reassemble the shoulder bolt in the lowest of the three holes. To lower the deck: remove the shoulder bolts mounting the height of cut link, flip the height of cut link around and reassemble the shoulder bolts in the top of the set of three holes and the bottom hole. (see Fig. 12)

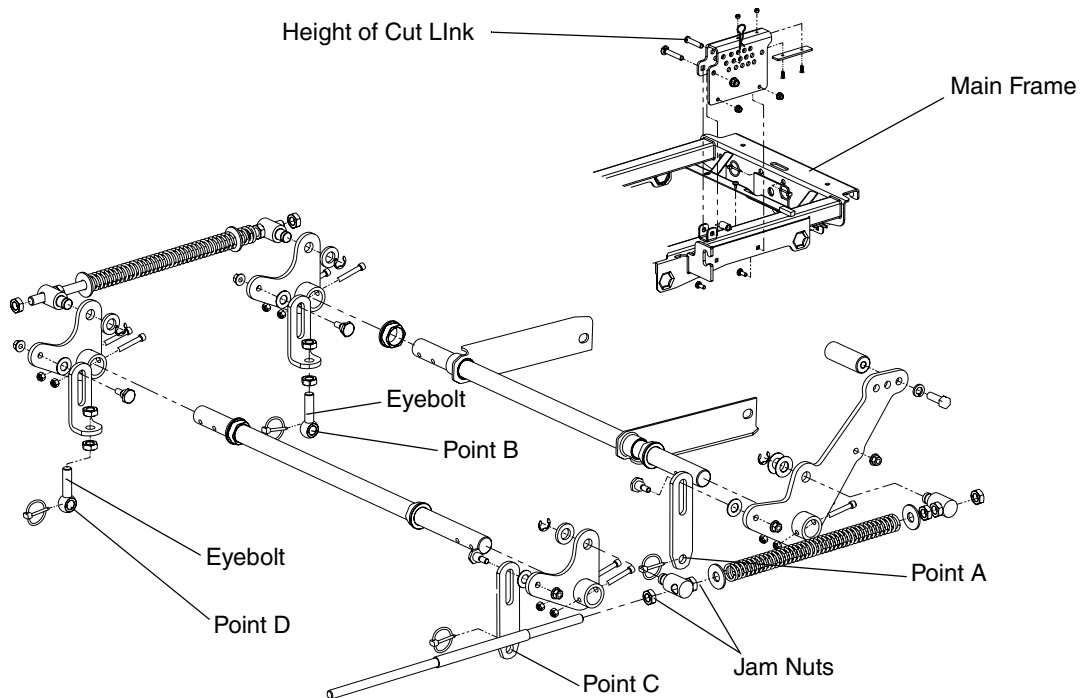


Figure. 12

# Fuel & Lube Specifications

## A. Fuel Specifications

Use good quality fuel to get the correct power and performance from the engine. The recommended fuel specification for Caterpillar engines is shown below.

Cetane number	45 minimum
Viscosity	2.0/4.5 centistokes at 40 C (104 F)
Density	0,835/0,855 kg/litre
Sulphur	0.2% of mass, maximum
Distillation	85% at 350 C (662 F)

**Cetane number:** Cetane number indicates ignition performance. Fuel with a low cetane number can cause cold start problems and affect combustion.

**Viscosity:** Viscosity is the resistance to flow and if this is outside limits, engine performance can be affected.

**Density:** Low density will reduce engine power, higher density will increase engine power and exhaust smoke.

**Sulphur:** High sulphur content (not normally found in Europe, North America or Australasia) can cause engine wear. If only high sulphur fuels are available, it will be necessary to use a highly alkaline lubricating oil in the engine or reduce the lubricating oil change interval.

**Distillation:** This is an indication of the mixture of different hydrocarbons in the fuel. A high ratio of light weight hydrocarbons can affect the combustion characteristics.

**Low temperature fuels:** Special winter fuels may be available for engine operation at temperatures below 0 C (32 F). These fuels limit the formation of wax in the fuel oil at low temperatures. If wax forms in the fuel oil, this could stop the flow of fuel oil through the filter.

**Aviation kerosene and R.M.E. type fuels:** These fuels may be used, but can effect the engine performance and starting ability. The only aviation fuels that are permitted for use with these engines are: JP5, Jet A and JP8 providing that 5% spindle oil is added, Aviation fuel JP4 is not recommended. For more information on aviation fuels refer to the Caterpillar application department. Only up to 5% R.M.E. in mineral oil diesel fuel is permitted. Biodiesel blends of up to 5% B100 and #2 diesel fuel (B5) are allowed.

**Electrical shut-off solenoid (ESOS):** The ESOS is fitted to the right hand side of the cylinder block, at the rear of the fuel injection pump. When the solenoid is de-energised, a control rod pushes the fuel control rack to the 'no fuel position' in the injection pump. The unit operates from a 12V supply in an 'energise to run' condition, an electrical failure will give automatic fuel shut-off.

## B. Fuel System

1. A **Fuel Strainer/Water Separator** is provided between the fuel tank and fuel pump. It should be inspected daily and purged of any contaminants.
2. The **Fuel Pump** provided on the engine is a direct drive mechanical diaphragm type. A primer

pump is included within the main fuel filter for use in the event of first time start-up when fuel is depleted from the system. The primer should be pumped by hand until all air is purged (view return line in fuel tank).

3. The **Main Fuel Filter** is a spin-on cartridge that should be changed every 500 hours of use (or sooner depending on fuel quality and operating conditions). This fuel filter is attached to a mechanical hand primer. The primer must be used to purge the fuel system of air.
4. The **Fuel Valve** provides a means to switch from the "left" to "right" tank or "off" positions.

## C. Lubricating Oil Specifications

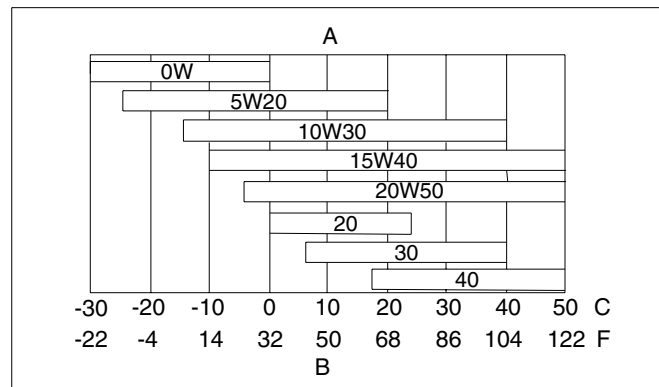
Use only good quality lubricating oil, such as shell Rimula 15W40 which meets Caterpillar ECF-I and either of the following:

- API-CH-4 plus
- ACEA E5

**Note:** API CI-4 plus and ACEA ES oils that have not met the requirements of Caterpillar's ECF-I specification may cause reduced engine life.

**Caution:** Always ensure that the correct viscosity grade of lubricating oil is used for the ambient temperature range in which the engine will run as shown in the chart below.

### Recommended SAE viscosity grades



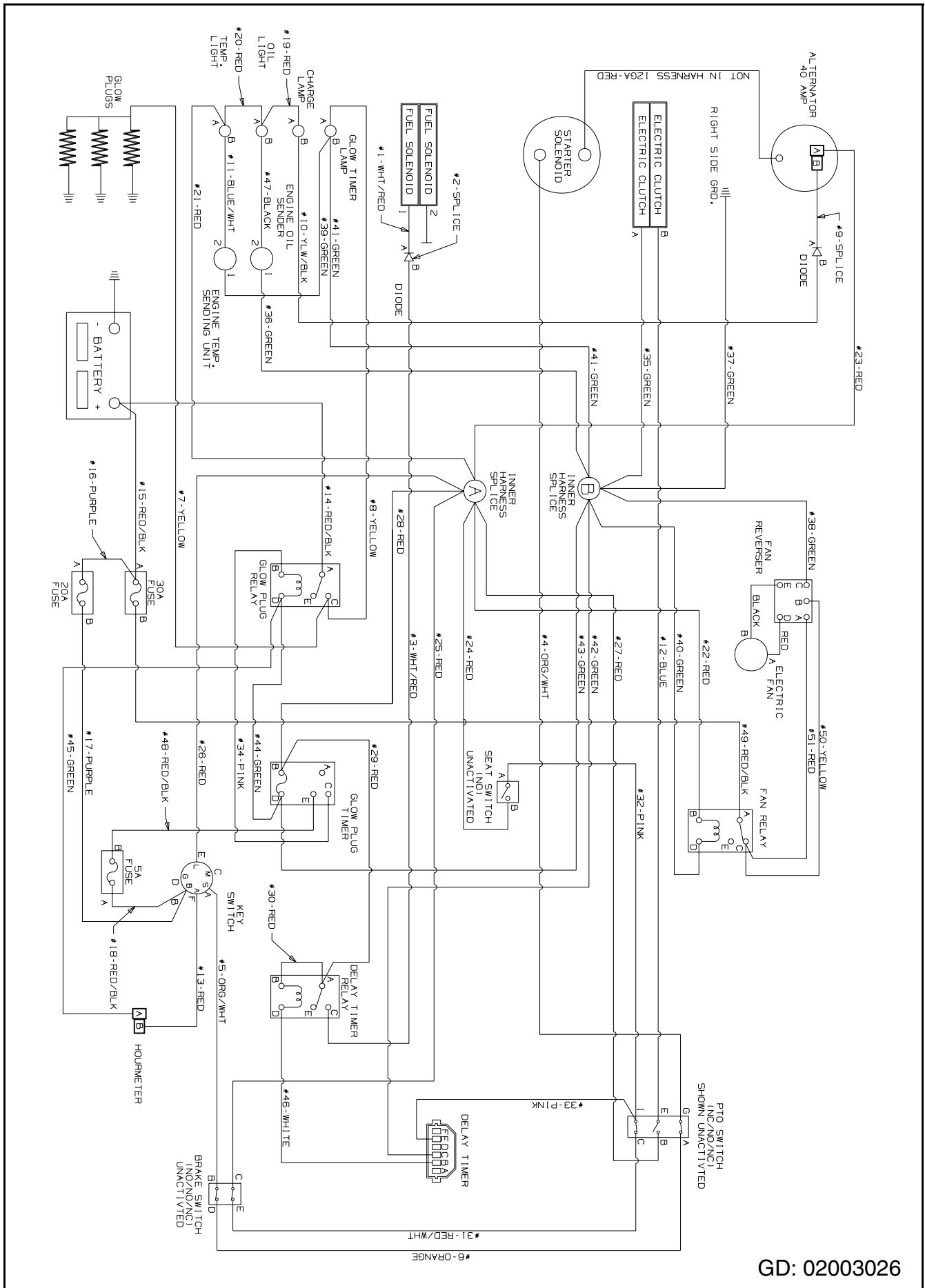
### Viscosity chart

**A** = Recommended viscosity

**B** = Ambient temperature

Ensure the lubricating oil sump is filled slowly after warm up, check with the dipstick that the oil level is correct. Change the oil and filter in accordance with the service instruction.

# WIRING DIAGRAM



GD: 02003026









---

**CALIFORNIA EMISSION CONTROL WARRANTY STATEMENT  
YOUR WARRANTY RIGHTS AND OBLIGATIONS**

The California Air Resources Board and MTD Consumer Group Inc are pleased to explain the evaporative emission control system warranty on your 2006 lawn mower. In California, new lawn mower must be designed, built and equipped to meet the State's stringent anti-smog standards. MTD Consumer Group Inc must warrant the EECS on your lawn mower for the period of time listed below provided there has been no abuse, neglect or improper maintenance of your lawn mower.

Your EECS may include parts such as the carburetor, fuel-injection system, the ignition system, catalytic converter, fuel tanks, fuel lines, fuel caps, valves, canisters, filters, vapor hoses, clamps, connectors, and other associated emission-related components.

**Where a warrantable condition exists, MTD Consumer Group Inc will repair your lawn mower at no cost to you including diagnosis, parts and labor.**

**MANUFACTURER'S WARRANTY COVERAGE:**

This evaporative emission control system is warranted for two years. If any evaporative emission-related part on your equipment is defective, the part will be repaired or replaced by MTD Consumer Group Inc.

**OWNER'S WARRANTY RESPONSIBILITIES:**

As the lawn mower owner, you are responsible for performance of the required maintenance listed in your owner's manual. MTD Consumer Group Inc recommends that you retain all receipts covering maintenance on your lawn mower, but MTD Consumer Group Inc cannot deny warranty solely for the lack of receipts.

As the lawn mower owner, you should however be aware that MTD Consumer Group Inc may deny you warranty coverage if your lawn mower or a part has failed due to abuse, neglect, or improper maintenance or unapproved modifications.

You are responsible for presenting your lawn mower to MTD Consumer Group Inc's distribution center or service center as soon as the problem exists. The warranty repairs should be completed in a reasonable amount of time, not to exceed 30 days. If you have a question regarding your warranty coverage, you should contact the MTD Consumer Group Inc Service Department at 1-800-800-7310.

**GENERAL EMISSIONS WARRANTY COVERAGE:**

MTD Consumer Group Inc warrants to the ultimate purchaser and each subsequent purchaser that the lawn mower is: Designed, built and equipped so as to conform with all applicable regulations; and free from defects in materials and workmanship that cause the failure of a warranted part to be identical in all material respects to that part as described in MTD Consumer Group Inc's application for certification.

The warranty period begins on the date the lawn mower is delivered to an ultimate purchaser or first placed into service. The warranty period is two years.

Subject to certain conditions and exclusions as stated below, the warranty on emission-related parts is as follows:

1. Any warranted part that is not scheduled for replacement as required maintenance in the written instructions supplied, is warranted for the warranty period stated above. If the part fails during the period of warranty coverage, the part will be repaired or replaced by MTD Consumer Group Inc according to subsection (4) below. Any such part repaired or replaced under warranty will be warranted for the remainder of the period.
2. Any warranted part that is scheduled only for regular inspection in the written instructions supplied is warranted for the warranty period stated above. Any such part repaired or replaced under warranty will be warranted for the remaining warranty period.
3. Any warranted part that is scheduled for replacement as required maintenance in the written instructions supplied is warranted for the period of time before the first scheduled replacement date for that part. If the part fails before the first scheduled replacement, the part will be repaired or replaced by MTD Consumer Group Inc according to subsection (4) below. Any such part repaired or replaced under warranty will be warranted for the remainder of the period prior to the first scheduled replacement point for the part.
4. Repair or replacement of any warranted part under the warranty provisions herein must be performed at a warranty station at no charge to the owner.
5. Notwithstanding the provisions herein, warranty services or repairs will be provided at all of our distribution centers that are franchised to service the subject engines or equipment.
6. The lawn mower owner will not be charged for diagnostic labor that is directly associated with diagnosis of a defective, emission-related warranted part, provided that such diagnostic work is performed at a warranty station.
7. MTD Consumer Group Inc is liable for damages to other engine or equipment components proximately caused by a failure under warranty of any warranted part.
8. Throughout the lawn mower warranty period stated above, MTD Consumer Group Inc will maintain a supply of warranted parts sufficient to meet the expected demand for such parts.
9. Any replacement part may be used in the performance of any warranty maintenance or repairs and must be provided without charge to the owner. Such use will not reduce the warranty obligations of MTD Consumer Group Inc.
10. Add-on or modified parts that are not exempted by the Air Resources Board may not be used. The use of any non-exempted add-on or modified parts by the ultimate purchaser will be grounds for disallowing a warranty claims. MTD Consumer Group Inc will not be liable to warrant failures of warranted parts caused by the use of a non-exempted add-on or modified part.

**WARRANTED PARTS:**

The repair or replacement of any warranted part otherwise eligible for warranty coverage may be excluded from such warranty coverage if MTD Consumer Group Inc demonstrates that the lawn mower has been abused, neglected, or improperly maintained, and that such abuse, neglect, or improper maintenance was the direct cause of the need for repair or replacement of the part. That notwithstanding, any adjustment of a component that has a factory installed, and properly operating, adjustment limiting device is still eligible for warranty coverage. The following emission warranty parts list are covered: Fuel Line, Fuel Line Clamps

# MANUFACTURER'S LIMITED WARRANTY FOR CUB CADET COMMERCIAL TANK ZERO-TURN COMMERCIAL RIDING MOWER



**IMPORTANT:** To obtain warranty coverage owner may be required present proof of purchase and applicable maintenance records to the servicing dealer. Please see the operator's manual for information on required maintenance and service intervals. In addition, Cub Cadet may deny warranty coverage if the hour meter, or any part thereof, is altered, modified, disconnected or otherwise tampered with.

The limited warranty set forth below is given by Cub Cadet LLC with respect to new merchandise used for commercial and related purposes purchased and used in the United States and/or its territories and possessions, and by MTD Products Limited with respect to new merchandise purchased and used in Canada and/or its territories and possessions (either entity respectively, "Cub Cadet").

Cub Cadet warrants this product (excluding its *No-Fault Components, Engines, and Batteries* as described below) against defects in material and workmanship for a period of three (3) years from the date of original retail purchase or lease and will, at its option, repair or replace, free of charge, any part found to be defective in materials or workmanship.

*Engines* are warranted to be free from defects in material and workmanship for a period of two (2) years from the date of original purchase or lease.

*Batteries* have a one-year prorated limited warranty against defects in material and workmanship, with 100% replacement during the first three months. After three months, the battery replacement credit is based on the months remaining in the twelve (12) month period dating back to the original date of original sale or lease. Any replacement battery will be warranted only for the remainder of the original warranty period.

*No-Fault Components* include only belts, tires, seats and grass bags which are warranted to be free from defects in material and workmanship for a period of thirty (30) days from the date of original purchase or lease or one hundred (100) hours of operation (whichever comes first).

**HOW TO OBTAIN SERVICE:** Warranty service is available, WITH PROOF OF PURCHASE AND APPLICABLE MAINTAINCE RECORDS, through your local authorized service dealer. To locate the dealer in your area;

**In the U.S.A.:**

Check your Yellow Pages, or contact Cub Cadet LLC at P.O. Box 361131, Cleveland, Ohio 44136-0019, or call 1-877-282- 8684, or log on to our Web site at [www.cubcadetcommercial.com](http://www.cubcadetcommercial.com).

**In Canada:**

For all provinces excluding Quebec contact Modern Power Products d/o MTD Canada Ltd. At 60 Ottawa Street South, Kitchener, Ontario N2G 3S7 or call 1-800-567-6775 or log on to our website at [www.cubcadet.ca](http://www.cubcadet.ca).

In Quebec contact Les Distributions RVI Ltee. d/o MTD Canada Ltd. 2955 Jean-Baptiste Deschamps, Ville Lachine, Quebec H8T 1C5 or call 1-800-361-5770 or log on to our website at [www.cubcadet.info](http://www.cubcadet.info).

This limited warranty does not provide coverage in the following cases:

- a. Routine maintenance items such as lubricants, filters, blade sharpening, tune-ups, brake adjustments, clutch adjustments, deck adjustments, control linkages, drive system, engines, and normal deterioration of the exterior finish due to use or exposure.
- b. Service completed by someone other than an authorized service dealer.
- c. For products sold or exported outside of the United States and/or Canada, and their respective possessions and territories, except those sold through Cub Cadet's authorized channels of export distribution.
- d. Damage or failure resulting from the use of defective or improper replacement parts and/or accessories other than genuine Cub Cadet parts.
- e. Transportation charges and service calls.
- f. Failure to operate and maintain the product in accordance with the Operator's Manual furnished with the product,
- g. Damages and failures resulting from misuse, abuse, neglect, accident, improper maintenance, alteration, vandalism, theft, fire, water, or damage because of other peril or natural disaster.

**There are no implied warranties, including without limitation any implied warranty of merchantability or fitness for a particular purpose. No warranties shall apply after the applicable period of express written warranty above. No other express warranties beyond those mentioned above, given by any person or entity, including a dealer or retailer, with respect to any product, shall bind Cub Cadet. The exclusive remedy is repair or replacement of the product as set forth above. The terms of this warranty provide the sole and exclusive remedy arising from the sale and/or lease of the products covered hereby. Cub Cadet shall not be liable for any incidental or consequential loss or damage including, without limitation, expenses incurred for substitute or replacement lawn care services or for rental expenses to temporarily replace a warranted product.**

Some jurisdictions do not allow the exclusion or limitation of incidental or consequential damages, or limitations on how long an implied warranty lasts, so the above exclusions or limitations may not apply to you. This limited warranty gives you specific legal rights, and you may also have other rights that vary in different jurisdictions.

In no event shall recovery of any kind be greater than the amount of the purchase price of the product sold. **Alteration of safety features of the product shall void this warranty.** You assume the risk and liability for loss, damage, or injury to you and your property and/or to others and their property arising out of improper use, misuse or inability to use the product. This limited warranty shall not extend to anyone other than the original purchaser/Leasee or to the person for whom it was purchased or leased as a gift.

**Cub Cadet LLC - P.O. Box 361131, Cleveland, Ohio 44136-0019; Phone 1-877-282-8684**

## Free Manuals Download Website

<http://myh66.com>

<http://usermanuals.us>

<http://www.somanuals.com>

<http://www.4manuals.cc>

<http://www.manual-lib.com>

<http://www.404manual.com>

<http://www.luxmanual.com>

<http://aubethermostatmanual.com>

Golf course search by state

<http://golfingnear.com>

Email search by domain

<http://emailbydomain.com>

Auto manuals search

<http://auto.somanuals.com>

TV manuals search

<http://tv.somanuals.com>