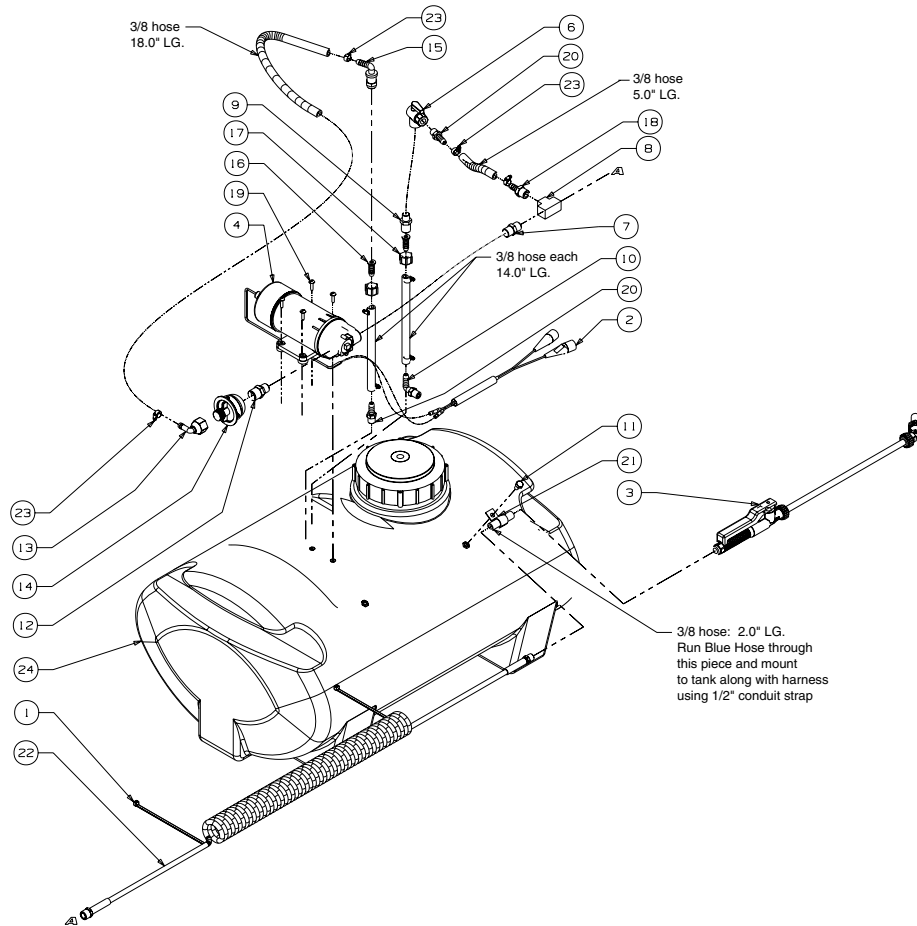


Electric, Spot-Sprayer Parts List

02004701 25-Gallon, 1/4" x 25' FlexCoil Hose

Starting Date: 8/2007 –



Ref. No.	Part No.	Description	Qty.	Ref. No.	Part No.	Description	Qty.
1	00012470	Cable Tie	1	13	00035600	Hose Barb, 3/8 x 90° Swivel Elbow	1
2	00018283	Electric Wire Harness includes:	1	14	00035601	Filter, 30 Mesh S.S. Screen	1
	00032615	Wire, 16-3	10ft.	15	00035626	Hose Barb, 3/8" x 90° Male Elbow	1
	00032630	Shrink Tube, 3/8"	4in.	16	00035627	Hose Barb, 3/8 Nylon	2
3	00018334	Wand Assembly includes:	1	17	00035628	Swivel Nut, Nylon	2
	00005173	Strainer	1	18	00035631	Hose Barb, 3/8 x 3/8 MPT	1
4	00020851	Diaphragm Pump, Flojet	1	19	00035678	Mach. Screw, # 10-24 x 3/4 Pan Hd.	4
5	--	Hose, 3/8"	3	20	00035781	Hose Barb, 3/8 x 1/4 MPT	2
6	00031247	Valve, 90°, 1/4 FPT	1	21	00035790	Conduit Strap, 1/2	1
7	00032078	Nipple, 3/8 MPT Close	1	22	00035816	Hose, 1/4" x 25', FlexCoil	1
8	00032081	Tee, 3/8 FPT Brass	1		00034896	3/8 Hose, Reinforced PVC-25 ft.	1
9	00032086	Fitting, Adapter, 1/4 MPT x 11/1 61	1	23	01000215	Hose Clamp	8
10	00032113	Elbow, 90°, 1/4 MPT x 3/8 Hose Barb	1	24	01006835	Tank, 25 Gallon, Polyethylene includes:	1
11	00034947	Cap Screw, 5/16-18 x 1/2 Hex Hd.	1		01007969	Tank Lid	1
12	00035599	Fitting, Adapter	1				



Electric, Spot-Sprayers Operating Instructions

After Filling Tank: (Note: We recommend the use of liquid products only.)

1. Connect power cord red cable to positive and black cable to negative 12 volt DC power source.
2. Turn pump power switch to "on".
3. Remove tank lid. Hold TriggerJet™ wand with nozzle pointing into fillwell. Squeeze wand trigger allowing spray liquid to recirculate back into tank until air is purged from hoses. Release pressure on trigger, remove wand from fillwell and replace lid. You are now ready to spray.
4. Closing the 1/4" Bypass Valve stops tank agitation. Opening the valve allows tank agitation through the bypass hose. The wand output can be regulated by adjusting the Bypass Valve.

Adjusting Wand Tip:

1. The knurled body of the tip rotates a half turn to provide spray selection from a wide angle, finely atomized cone spray to a straight stream spray.

Should Pump Fail to Run:

1. Check pump switch and power source connections.
2. Check 10 amp fuse in power cord.
3. Check internal pump parts for needed repairs.

Pump Runs - No Fluid:

1. Remove tank lid. Hold TriggerJet™ wand with nozzle pointing into fillwell. Squeeze wand trigger and hold until pump primes. Allow spray liquid to recirculate into tank until air is purged from hoses.
2. Check suction line inside tank and make certain it is not pinched or plugged.
3. Turn pump switch to "off" and check for clogged suction strainer at pump inlet. Remove swivel hose fitting from strainer cap and remove strainer cap (one-quarter turn counter-clockwise). Remove screen and clean.



Free Manuals Download Website

<http://myh66.com>

<http://usermanuals.us>

<http://www.somanuals.com>

<http://www.4manuals.cc>

<http://www.manual-lib.com>

<http://www.404manual.com>

<http://www.luxmanual.com>

<http://aubethermostatmanual.com>

Golf course search by state

<http://golfingnear.com>

Email search by domain

<http://emailbydomain.com>

Auto manuals search

<http://auto.somanuals.com>

TV manuals search

<http://tv.somanuals.com>