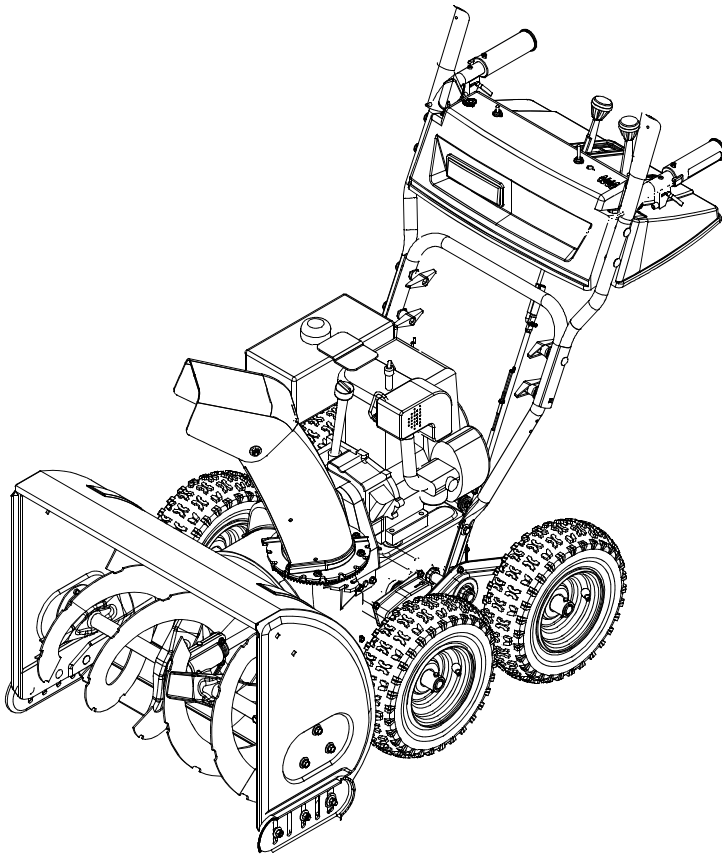


# Cub Cadet

## OPERATOR'S MANUAL



**SNOW  
THROWER**

**MODEL  
31AH4Q3G100  
4-Wheel Drive**

### **IMPORTANT: READ SAFETY RULES AND INSTRUCTIONS CAREFULLY**

**Warning:** This unit is equipped with an internal combustion engine and should not be used on or near any unimproved forest-covered, brush-covered or grass-covered land unless the engine's exhaust system is equipped with a spark arrester meeting applicable local or state laws (if any). If a spark arrester is used, it should be maintained in effective working order by the operator. In the State of California the above is required by law (Section 4442 of the California Public Resources Code). Other states may have similar laws. Federal laws apply on federal lands. A spark arrester for the muffler is available through your nearest engine authorized service dealer or contact the service department, P.O. Box 368023 Cleveland, Ohio 44136-9722.

**CUB CADET CORP. P.O. BOX 368023 CLEVELAND, OHIO 44136-9722**

PRINTED IN U.S.A.

FORM NO. 770-10538  
(5/01)

## TABLE OF CONTENTS

<b>Content</b>	<b>Page</b>
Important Safe Operation Practices.....	3
Assembling Your Snow Thrower .....	5
Know Your Snow Thrower .....	7
Operating Your Snow Thrower .....	8
Making Adjustments .....	10
Maintaining Your Snow Thrower.....	11
Servicing Your Snow Thrower .....	12
Troubleshooting.....	16
Parts List.....	17

## FINDING MODEL NUMBER

This Operator's Manual is an important part of your new 4-wheel drive snow thrower. It will help you assemble, prepare and maintain the unit for best performance. Please read and understand what it says.




**Before you start assembling your new equipment**, please locate the model plate on the equipment and copy the information from it in the space provided below. The information on the model plate is very important if you need help from an authorized dealer.

You can locate the model number by standing behind the unit in the operating position and looking down at the dash panel. A sample model plate is explained below. For future reference, please copy the model number and the serial number of the equipment in the space below.

(Model Number) \_\_\_\_\_ (Serial Number) \_\_\_\_\_

**CUB CADET CORP.**  
P.O. BOX 368023  
CLEVELAND, OHIO 44136



Copy the model number here: \_\_\_\_\_

Copy the serial number here: \_\_\_\_\_

## CALLING CUSTOMER SUPPORT

If you have difficulty assembling this product or have any questions regarding the controls, operation or maintenance of this unit, please call the Customer Dealer Referral Line.



Call **1-(800)-528-1009** to reach the Customer Dealer Referral Line. Please have your unit's model number and serial number ready when you call. See previous section to locate this information.

**For more details about your unit, visit our website at [www.cubcadet.com](http://www.cubcadet.com)**

---

## SECTION 1: IMPORTANT SAFE OPERATION PRACTICES



**WARNING:** This symbol points out important safety instructions which, if not followed, could endanger the personal safety and/or property of yourself and others. Read and follow all instructions in this manual before attempting to operate this machine. Failure to comply with these instructions may result in personal injury. When you see this symbol - **heed its warning.**

**WARNING:** Engine Exhaust, some of its constituents, and certain vehicle components contain or emit chemicals known to State of California to cause cancer and birth defects or other reproductive harm.

**DANGER:** This machine was built to be operated according to the rules for safe operation in this manual. As with any type of power equipment, carelessness or error on the part of the operator can result in serious injury. This machine is capable of amputating hands and feet and throwing objects. Failure to observe the following safety instructions could result in serious injury or death.

### Training

1. Read, understand, and follow all instructions on the machine and in the manual(s) before attempting to assemble and operate. Keep this manual in a safe place for future and regular reference and for ordering replacement parts.
2. Be familiar with all controls and their proper operation. Know how to stop the machine and disengage them quickly.
3. Never allow children under 14 years old to operate this machine. Children 14 years old and over should read and understand the operation instructions and safety rules in this manual and should be trained and supervised by a parent.
4. Never allow adults to operate this machine without proper instruction.
5. Thrown objects can cause serious personal injury. Plan your snow throwing pattern to avoid discharge of material toward roads, bystanders and the like.
6. Keep bystanders, helpers, pets and children at least 75 feet from the machine while it is in operation. Stop machine if anyone enters the area.
7. Exercise caution to avoid slipping or falling, especially when operating in reverse.
5. Adjust collector housing height to clear gravel or crushed rock surfaces.
6. Disengage all clutch levers before starting the engine.
7. Never attempt to make any adjustments while engine is running, except where specifically recommended in the operator's manual.
8. Let engine and machine adjust to outdoor temperature before starting to clear snow.
9. To avoid personal injury or property damage use extreme care in handling gasoline. Gasoline is extremely flammable and the vapors are explosive. Serious personal injury can occur when gasoline is spilled on yourself or your clothes which can ignite. Wash your skin and change clothes immediately.
  - a. Use only an approved gasoline container.
  - b. Extinguish all cigarettes, cigars, pipes and other sources of ignition.
  - c. Never fuel machine indoors.
  - d. Never remove gas cap or add fuel while the engine is hot or running.
  - e. Allow engine to cool at least two minutes before refueling.
  - f. Never over fill fuel tank. Fill tank to no more than ½ inch below bottom of filler neck to provide space for fuel expansion.
  - g. Replace gasoline cap and tighten securely.
  - h. If gasoline is spilled, wipe it off the engine and equipment. Move machine to another area. Wait 5 minutes before starting the engine.
  - i. Never store the machine or fuel container inside where there is an open flame, spark or pilot light (e.g. furnace, water heater, space heater, clothes dryer etc.).
  - j. Allow machine to cool at least 5 minutes before storing.

### Preparation

1. Thoroughly inspect the area where the equipment is to be used. Remove all door mats, newspapers, sleds, boards, wires and other foreign objects which could be tripped over or thrown by the auger/impeller.
2. Always wear safety glasses or eye shields during operation and while performing an adjustment or repair to protect your eyes. Thrown objects which ricochet can cause serious injury to the eyes.
3. Do not operate without wearing adequate winter outer garments. Do not wear jewelry, long scarves or other loose clothing which could become entangled in moving parts. Wear footwear which will improve footing on slippery surfaces.
4. Use a grounded three wire extension cord and receptacle for all units with electric start engines.

### Operation

1. Do not put hands or feet near rotating parts, in the auger/impeller housing or discharge chute. Contact with the rotating parts can amputate hands and feet.
2. The auger/impeller clutch lever is a safety device. Never bypass its operation. Doing so, makes the machine unsafe and may cause personal injury.

3. The clutch levers must operate easily in both directions and automatically return to the disengaged position when released.
4. Never operate with a missing or damaged discharge chute. Keep all safety devices in place and working.
5. Never run an engine indoors or in a poorly ventilated area. Engine exhaust contains carbon monoxide, an odorless and deadly gas.
6. Do not operate machine while under the influence of alcohol or drugs.
7. Muffler and engine become hot and can cause a burn. Do not touch.
8. Exercise extreme caution when operating on or crossing gravel surfaces. Stay alert for hidden hazards or traffic.
9. Exercise caution when changing direction and while operating on slopes.
10. Plan your snow throwing pattern to avoid discharge towards windows, walls, cars etc. To avoid property damage or personal injury caused by a ricochet.
11. Never direct discharge at children, bystanders and pets or allow anyone in front of the machine.
12. Do not overload machine capacity by attempting to clear snow at too fast of a rate.
13. Never operate this machine without good visibility or light. Always be sure of your footing and keep a firm hold on the handles. Walk, never run.
14. Disengage power to the auger/impeller when transporting or not in use.
15. Never operate machine at high transport speeds on slippery surfaces. Look down and behind and use care when in reverse.
16. If the machine should start to vibrate abnormally, stop the engine, disconnect the spark plug and ground it against the engine. Inspect thoroughly for damage. Repair any damage before starting and operating.
17. Disengage all clutch levers and stop engine before you leave the operating position (behind the handles). Wait until the auger/impeller comes to a complete stop before unclogging the discharge chute, making any adjustments, or inspections.
18. Never put your hand in the discharge or collector openings. Always use a clearing tool to unclog the discharge opening.
19. Use only attachments and accessories approved by the manufacturer (e.g. wheel weights, tire chains, cabs etc.).
20. If situations occur which are not covered in this manual,

use care and good judgment. Contact your dealer or telephone 1-800-528-1009 for assistance and the name of your nearest servicing dealer.

## Maintenance And Storage

1. Never tamper with safety devices. Check their proper operation regularly.
2. Disengage all clutch levers and stop engine. Wait until the auger/impeller come to a complete stop. Disconnect the spark plug wire and ground against the engine to prevent unintended starting before cleaning, repairing, or inspecting.
3. Check bolts, and screws for proper tightness at frequent intervals to keep the machine in safe working condition. Also, visually inspect machine for any damage.
4. Do not change the engine governor setting or over-speed the engine. The governor controls the maximum safe operating speed of the engine.
5. Snow thrower shave plates and skid shoes are subject to wear and damage. For your safety protection, frequently check all components and replace with original equipment manufacturer's (O.E.M.) parts only. "Use of parts which do not meet the original equipment specifications may lead to improper performance and compromise safety!"
6. Check clutch controls periodically to verify they engage and disengage properly and adjust, if necessary. Refer to the adjustment section in this operator's manual for instructions.
7. Maintain or replace safety and instruction labels, as necessary.
8. Observe proper disposal laws and regulations for gas, oil, etc. to protect the environment.
9. Prior to storing, run machine a few minutes to clear snow from machine and prevent freeze up of auger/impeller.
10. Never store the machine or fuel container inside where there is an open flame, spark or pilot light such as a water heater, furnace, clothes dryer etc.
11. Always refer to the operator's manual for proper instructions on off-season storage.



**WARNING: Restrict the use of this power machine to persons who read, understand and follow the warnings and instructions in this manual and on the machine.**



## SECTION 2: ASSEMBLING YOUR SNOW THROWER

**NOTE:** Any reference in this manual to the left or right side of the snow thrower is observed from the operator's position.

### Unpacking

- Remove staples from the top sides and ends of the shipping crate.
- Set panel aside to avoid tire punctures or personal injury.
- Remove and discard plastic bag that covers unit.
- Remove any loose parts included with unit (i.e., Operator's Manual, etc).
- Roll unit out of crate.

### Loose Parts

The augers are secured to the auger shaft with two shear bolts and hex lock nuts. If you hit a foreign object or ice jam, the snow thrower is designed so that the bolts may shear. Two replacement shear bolts and nuts are provided for your convenience. Store in a safe place until needed. See Figure 1.

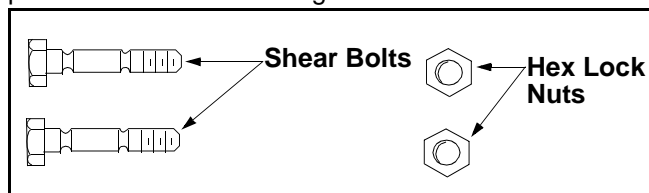


Figure 1

### Assembly



**WARNING:** Disconnect the spark plug wire and ground it against the engine to prevent unintended starting.

- Remove the **lower** two plastic wing nuts, cupped washers and carriage bolts from each side of the lower handle. See Figure 2.

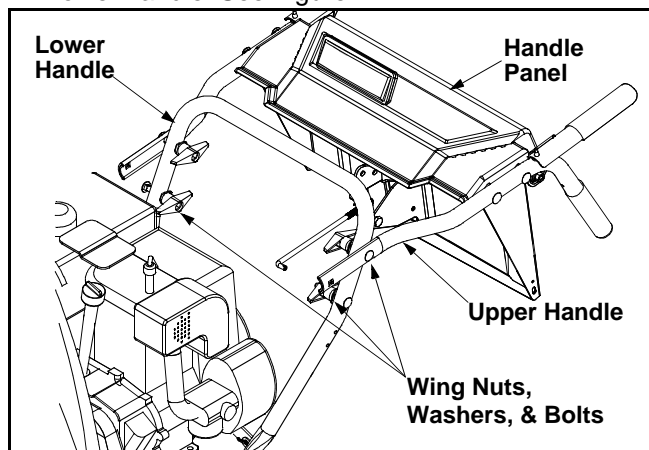


Figure 2

- Raise the upper handle assembly until it locks over the lower handle.
- Look at lower rear of snow thrower frame to be sure both cables are aligned with cable roller guides. See Figure 3.

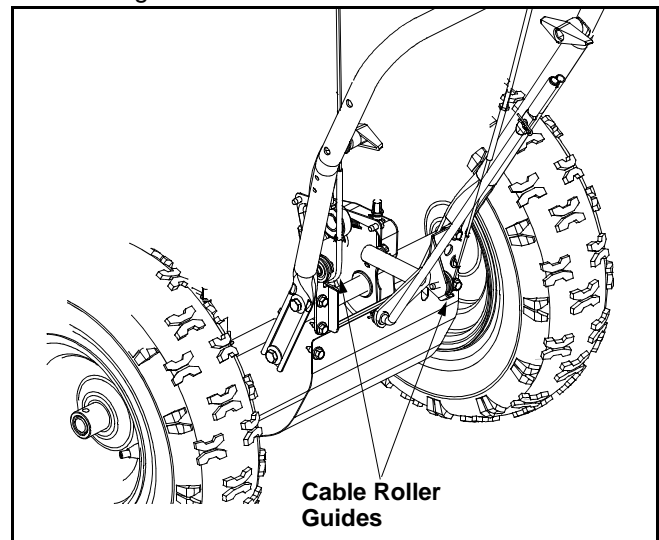


Figure 3

- Secure the upper handle and lower handle with the two plastic wing knobs, cupped washers and carriage bolts previously removed and tighten the upper two plastic wing nuts. See Figure 4.

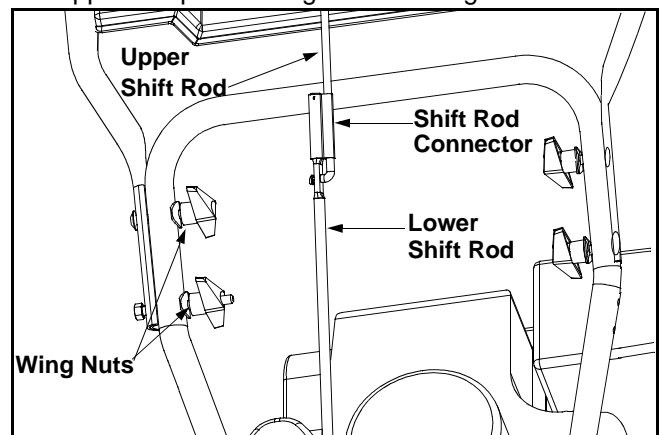


Figure 4

- Slide the shift rod connector down over the end of the lower shift rod. Tap the connector until it **locks** on the lower shift rod. See Figure 4.

**NOTE:** If the connector is not properly assembled, the shift rod will pivot and you will not be able to shift gears or change directions.

- If not already attached, slip the cables that run from the handle panel to the chute into the cable guide on top of the engine. See Figure 5.

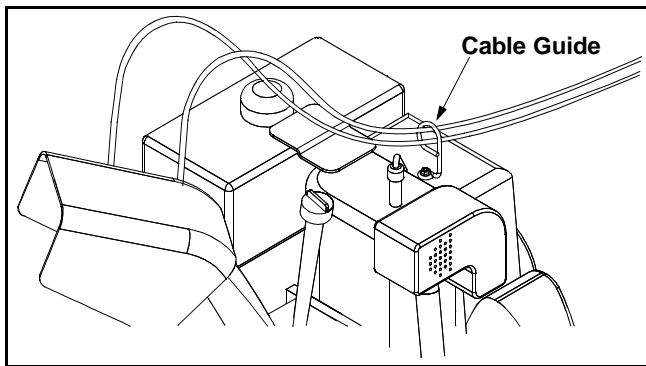


Figure 5

## Final Adjustments

### Auger Control Adjustment

Check the adjustment of the auger control as follows:

- Push forward on the auger control until the small rubber bumper contacts the upper handle. There should be slack in the cable. See Figure 6.
- Release the auger control. The cable should be straight. Make certain you can depress the auger control against the left handle completely.

If adjustment is necessary, proceed as follows:

- Loosen the jam nut and thread the cable in (for less slack) or out (for more slack) as necessary. See Figure 6.
- Recheck the adjustment before retightening the jam nut against the cable.

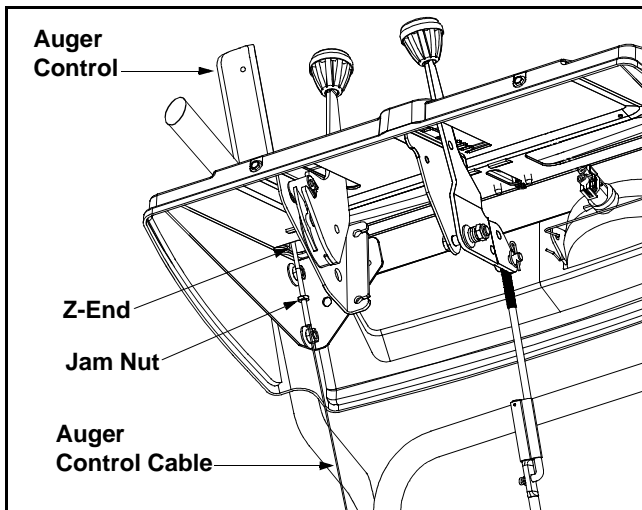


Figure 6

### Traction Control and Shift Lever Adjustment

To check the adjustment of the traction control and shift lever, proceed as follows:

- Move the shift lever into sixth (6) position.
  - a. With the traction control (refer to Figure 8) released, squeeze in triggers and gently push the snow thrower forward, then pull it back. Disregarding the overall weight of the

snow thrower, the machine should otherwise move freely.

- b. Engage the traction control and attempt to move the machine both forward and rearward. You should experience resistance as the wheels should not be turning.

- Move the shift lever into the fast reverse (R2) position and repeat the previous steps (a & b).

If you experienced resistance either when repositioning the shift lever from 6 to R2 or when attempting to move the machine forward or rearward with the traction control released, your snow thrower's traction control is in need of adjustment and you should NOT operate the machine before completing the adjustment as follows:

- Loosen the jam nut on the traction control cable and UNTHREAD the cable one full turn.
- Recheck the adjustment.
- Retighten the jam nut to secure the cable when correct adjustment is reached.

If the machine can be moved freely both forward and rearward when the traction control fully depressed, proceed as follows:

- Loosen the jam nut on the traction drive cable and THREAD the cable in one full turn.
- Recheck the adjustment and repeat adjustment as necessary.
- Retighten the jam nut to secure the cable when correct adjustment is reached.

**NOTE:** If you are uncertain that you have reached the correct adjustment, refer to Traction Control Adjustment in Adjustment Section.

### Skid Shoe Adjustment

The space between the shave plate and the ground can be adjusted by repositioning the skid shoes found on either side of the snow thrower's auger housing. For close snow removal, place skid shoes in the low position. Use middle or high position when area to be cleared is uneven. See Figure 7.

**IMPORTANT:** It is NOT recommended that this snow thrower be operated on a gravel surface, as loose stones can be easily picked up and thrown by the machine. If you must operate on a gravel surface, ALWAYS adjust the skid shoes into the HIGH position to allow the shave plate maximum clearance.

Adjust skid shoes as follows:

- Loosen, but do NOT remove, the three hex nuts which fasten the skid shoe to the auger housing.
- Raise or lower the skid shoe to desired position.

**NOTE:** Make certain the entire base of both skid shoes are against the ground to avoid uneven wear on the skid shoes. When one side does wear out, the skid shoes are reversible.

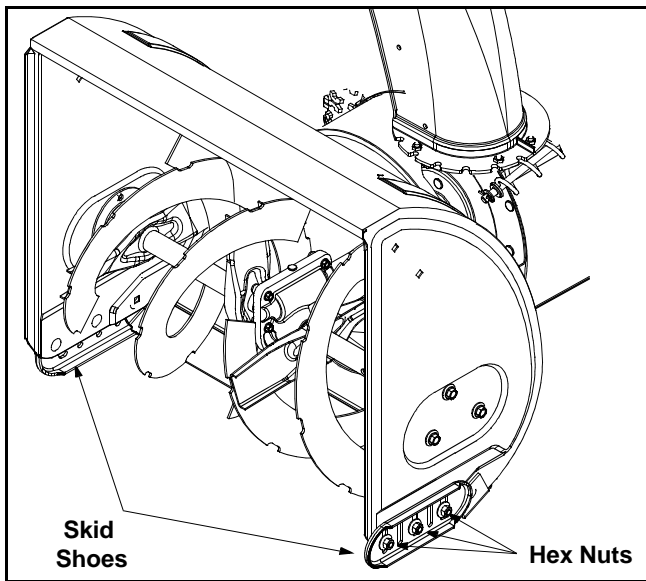


Figure 7

- Retighten the hex nuts loosened earlier.
- Repeat this adjustment on the skid shoe found on the opposite side of the snow thrower.

**Tire Pressure**

The tires are overinflated for shipping purposes.

- Check tire pressure, by referring to tire sidewalls for recommended tire pressure.

**NOTE:** If the tire pressure is not equal in all tires, the unit may pull to one side or the other.



**WARNING:** Maximum tire pressure under any circumstance is 30 psi. Equal tire pressure should be maintained at all times. Excessive pressure (over 30 psi) when seating beads may cause tire/rim assembly to burst with force sufficient to cause serious injury.

## SECTION 3: KNOW YOUR SNOW THROWER

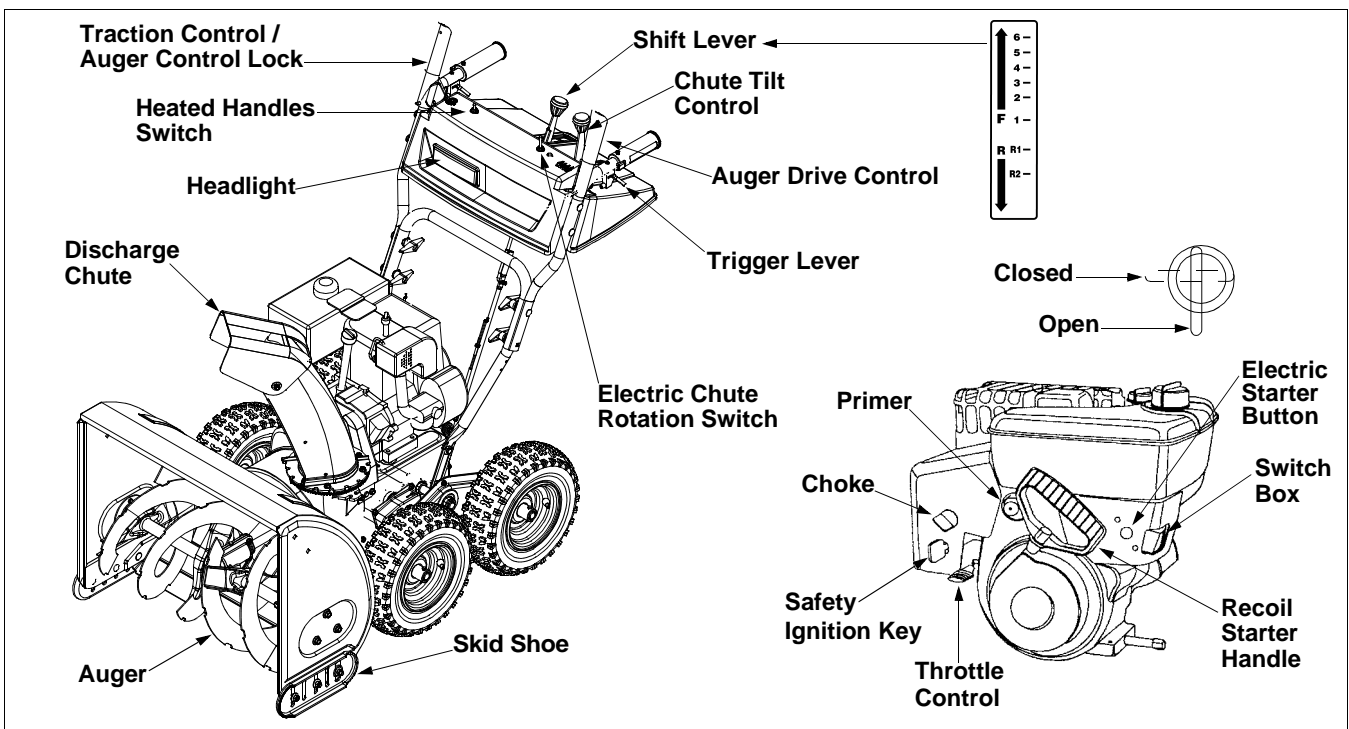


Figure 8



**WARNING:** Read, understand, and follow all instructions and warnings on the machine and in this manual before operating.

### Traction Control / Auger Control Lock

The traction control is located on the right handle. Squeeze the traction control to engage the wheel drive. Release to stop. See Figure 8.

This same lever also locks the auger control to avoid interruption of the snow throwing process. If the auger control is engaged along with the traction control, the operator can release the auger control (on the left handle) and the augers will remain engaged. Release the traction control to stop both the augers and wheel drive (auger control must also be released).

**IMPORTANT:** Always release tractional control before changing speeds.

## Auger Drive Control

The auger drive control is located on the left handle. Squeeze the control grip to engage the augers. Release to stop the snow throwing action. (Traction control must also be released.) See Figure 8.

## Trigger Lever

The left and right turn triggers are located on the underside of the handles and are used to assist in steering your snow thrower. Squeeze the right trigger lever when turning right and the left trigger lever when turning left. See Figure 8.

## Chute Tilt Control

The distance snow is thrown can be changed by adjusting the angle of the chute assembly. Move the chute tilt control forward to decrease the distance, toward the rear to increase. See Figure 8.

## Skid Shoe

The position of the skid shoe is determined by the condition of the ground from where snow has to be removed. See Figure 8.

## Shift Lever

The shift lever is located in the center of the handle panel and is used to determine both ground speed and direction of travel. It can be moved into any of eight positions. See Figure 8.

### Forward

Your snow thrower has six forward (F) speeds. Position number one (1) is the slowest. Position number six (6) is the fastest.

### Reverse

Your snow thrower has two reverse (R) speeds. R1 is the slower, while R2 is the faster of the two.

**IMPORTANT:** Always release tractional control before changing speeds.

## Electric Chute-Rotation Switch

The electric chute-rotation switch is located on the left side of the snow thrower dash panel. See Figure 8.

To change the direction in which discharged snow is thrown, proceed as follows:

- Push the toggle switch to the left to rotate the chute counterclockwise.
- Push the toggle switch to the right to rotate the chute clockwise.

**IMPORTANT:** Release the switch once the chute has completed its rotation cycle in either direction. Failure to do so can result in damage to the electric chute motor and/or its drive gear.

## Headlight

The headlight is on whenever the engine is running.

## Throttle Control

The throttle control is located on the engine. It regulates the speed of the engine and will shut off the engine when pushed down completely. See Figure 8.

## Safety Ignition Key

The safety ignition key must be fully inserted in the switch before the unit will start. Remove the ignition key when the snow thrower is not in use. See Figure 8.

**IMPORTANT:** Do NOT attempt to turn the key.

## Fuel Shut-off Valve

The fuel shut-off valve, located under the fuel tank, controls fuel flow from the tank. Always make certain it is in the Open (vertical) position before attempting to start the engine. See Figure 8.

## Heated Handles Switch

This switch is located on the right side of the snow thrower dash panel. To activate the heated handles, toggle the switch to the right to generate heat within the handle grips. Toggle the switch to the left to the OFF position after using the snow thrower. See Figure 8.

**NOTE:** *The heated handles grips are a compliment to, not a substitute for, proper cold weather outerwear for the operator's hands. It is recommended that the snow thrower operator wear gloves/mittens to avoid extremities of winter while operating this equipment.*

---

## SECTION 4: OPERATING YOUR SNOW THROWER

### Before Starting



**WARNING:** Read, understand, and follow all instructions and warnings on the machine and in this manual before operating.

### Gas And Oil Fill-up

Service the engine with gasoline and oil as instructed in the separate engine manual packed with your snow thrower. **Read instructions carefully.**





**WARNING:** Use extreme care when handling gasoline. Gasoline is extremely flammable and the vapors are explosive. Never fuel machine indoors or while the engine is hot or running. Extinguish cigarettes, cigars, pipes and other sources of ignition.

- A plastic **cup** is provided inside the fuel fill opening on the fuel tank. Remove and discard this cup before filling up the tank. Use the separate fuel tank cap to close after fill-up.

## To Start Engine

**NOTE:** If unit shows any sign of motion (drive or augers) with the clutch grips disengaged, shut engine off immediately. Readjust as instructed in the Final Adjustments in the Assembly Section.

- Attach spark plug wire to spark plug. Make certain the metal loop on end of the spark plug wire (inside the boot) is fastened securely over the metal tip on the spark plug.
- Make certain the fuel shutoff valve is in the OPEN (vertical position). See Figure 7.
- Make certain the auger and drive control levers are in the disengaged (released) position.
- Move throttle control up to FAST position. Insert ignition key into slot. See Figure 7. Be certain it snaps into place. **Do not turn key.**

**NOTE:** Engine will not start unless ignition key is inserted into ignition slot in carburetor cover.

## Electric Starter

- Determine that your house wiring is a three-wire grounded system. Ask a licensed electrician if you are not certain.
- If your house wiring system is not a three-wire grounded system, do not use this electric starter under any conditions.



**WARNING:** The electric starter is equipped with a grounded three-wire power cord and plug and is designed to operate on 120 volt AC household current. It must be used with a properly grounded three-prong receptacle at all times to avoid the possibility of electric shock. Follow all instructions carefully prior to operating the electric starter.

- If your home electrical system is grounded, but a three-hole receptacle is not available, one should be installed by a licensed electrician before using the electric starter.
- Remove ignition key. Do not turn key. Disconnect the spark plug wire from the spark plug to prevent

- If you have a grounded three-prong receptacle, proceed as follows:
- Rotate choke knob to OFF position and do not prime engine.
- Connect power cord to switch box on engine. Plug the other end of power cord into a three-hole, grounded 120 volt AC receptacle.
- Push starter button on top of the engine to crank engine. As you crank the engine, move choke knob to FULL choke position.
- When engine starts, release starter button, and move choke gradually to OFF. If engine falters, move choke immediately to FULL and then gradually to OFF.
- When disconnecting the power cord, always unplug from the three-prong receptacle first and then from the snow thrower.

## Recoil Starter

- Rotate choke knob to FULL choke position (cold engine start). If engine is warm, place choke in OFF position instead of FULL.
- Push primer button two or three times. If engine is warm, push primer button once only.

**NOTE:** Always cover vent hole in primer button when pushing. Additional priming may be necessary for first start if temperature is below 15°F.

- Grasp starter handle and pull rope out slowly, until it pulls slightly harder. Let rope rewind slowly.
- Pull starter handle rapidly. Do not allow handle to snap back. Allow it to rewind slowly while keeping a firm hold on the starter handle.
- Repeat the previous steps until engine starts.

## To Stop Engine

- Run engine for a few minutes before stopping to help dry off any moisture on the engine.
- To help prevent possible freeze-up of starter, proceed as follows.

Electric Starter:

- Connect power cord to switch box on engine, then to 120 volt AC receptacle. With the engine running, push starter button and spin the starter for several seconds. The unusual sound made by spinning the starter will not harm engine or starter. Disconnect the power cord from receptacle first, and then from switch box.

Recoil Starter

- With engine running, pull starter rope with a rapid, continuous full arm stroke three or four times. Pulling the starter rope will produce a loud clattering sound, which is not harmful to the engine or starter.
- Move throttle control to "stop" or "off" position. accidental starting while equipment is unattended.

**NOTE:** Keep it in a safe place. Engine will not start without ignition key.

Wipe all snow and moisture from the carburetor cover in the area of the control levers. Also, move control levers back and forth several times.

## To Engage Drive

- With the engine running near top speed, move the shift lever into one of the six FORWARD positions or two REVERSE positions. Select a speed appropriate for the snow conditions that exist.

**NOTE:** Use slower speeds in higher snow and until you are familiar with the operation of the snow thrower.

- Squeeze the traction control against the right handle and the snow thrower will move. Release it and the drive motion will stop.

**IMPORTANT:** NEVER move the shift lever without first releasing the traction control. Doing so will cause premature wear to the drive system's friction wheel.

## To Engage Augers

To engage the augers and start the snow throwing action, proceed as follows:

- Squeeze the auger control against the left handle.
- To disengage power to the augers:

- Release both the auger control and the traction control, if engaged.

The auger control can be locked so you can turn the electric chute directional control without interrupting the snow throwing process.

## Operating Tips

**NOTE:** Allow the engine to warm up for a few minutes. The engine will not develop full power until it reaches operating temperature.



**WARNING:** The temperature of the muffler and the surrounding areas may exceed 150° F. Avoid these areas.

- For the most efficient snow removal, remove snow immediately after it falls.
- Discharge the snow downwind whenever possible.
- Slightly overlap each previous path.
- Set the skid shoes 1/4" below the shave plate for normal usage. The skid shoes may be adjusted upward (to lower the shave plate) for hard-packed snow. Adjust downward (to raise the shave plate) when using on gravel or crushed rock.
- Be certain to follow the precautions found in the To Stop Engine section to prevent possible freeze-up.
- Clean the snow thrower thoroughly after each use.

---

## SECTION 5: MAKING ADJUSTMENTS



**WARNING:** NEVER attempt to make any adjustments while the engine is running, except where specified in the operator's manual.

### Skid Shoe Adjustment

The space between the shave plate and the ground can be adjusted by raising or lowering the skid shoes. Refer to Skid Shoe Adjustment in the Assembly Section.

### Auger Control Adjustment

Refer to the information found under Final Adjustments in the Assembly Section to adjust the auger control.

### Chute Assembly Adjustment

The distance snow is thrown can be adjusted by adjusting the angle of the chute assembly. Refer to the Chute Tilt Control in the Know Your Snow Thrower Section.

### Traction Control Adjustment

Refer to the information found under Final Adjustment

in the Assembly Section to adjust the traction control. If you are uncertain that you have reached the correct adjustment, proceed as follows:



**WARNING:** Drain the gasoline out of the snow thrower's tank, or place a piece of plastic film under the gas cap to avoid spillage BEFORE making the adjustment.

- Tip the snow thrower forward, allowing it to rest on the auger housing.
- Remove the frame cover underneath the snow thrower by removing the six self-tapping screws.
- With the traction control released, there must be clearance between the friction wheel and the drive plate in all positions of the shift lever.
- With the traction control engaged, the friction wheel must contact the drive plate. See Figure 9.

If adjustment is necessary:

- Loosen the jam nut on the traction drive cable. Adjust the cable as necessary. Refer to Figure 6.
- Retighten the jam nut to secure the cable when correct adjustment is reached.
- Reassemble the frame cover.

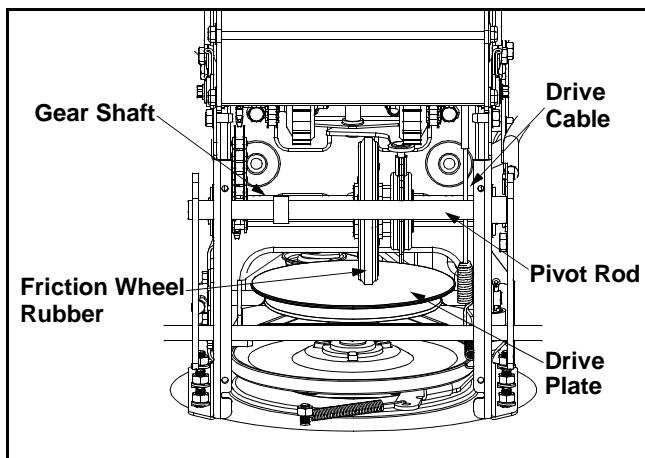


Figure 9

## Shift Rod Adjustment

To adjust the shift rod, proceed as follows:

- Remove the hairpin clip and slide the shift rod connector up, to separate the upper shift rod from the lower shift rod. See Figure 10.
- Place the shift lever into the sixth (6) position.
- Rotate the shift arm clockwise (from the operator's position) as far as it will go.
- Thread the upper shift rod downward until the elbow on its lower end aligns with the hole found in the lower shift rod.
- Reconnect the upper shift rod to the lower shift rod by reinserting the hairpin clip removed earlier and sliding the shift rod connector back down into place.

**IMPORTANT:** Make certain to check for correct adjustment of the shift rod as instructed under Final Adjustments in the Assembly Section, before operating the snow thrower.

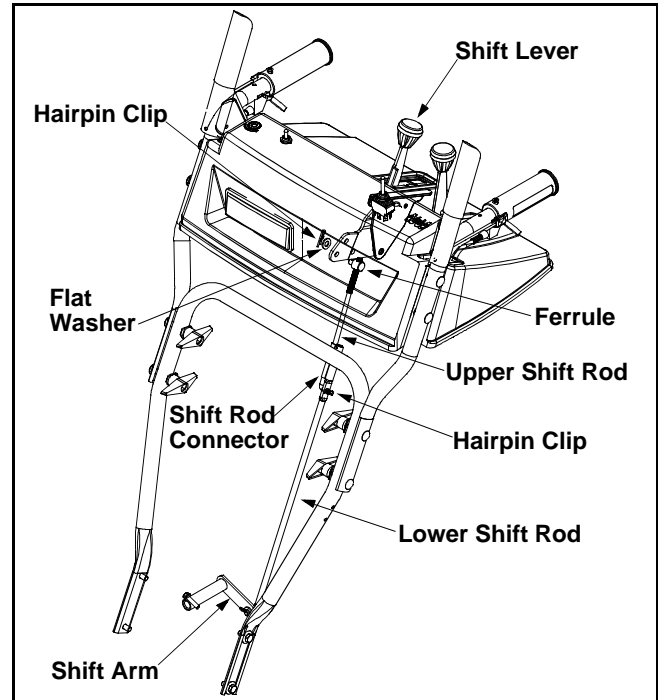


Figure 10

## SECTION 6: MAINTAINING YOUR SNOW THROWER



**WARNING:** Before lubricating, repairing, or inspecting, disengage all clutch levers and stop engine. Wait until all moving parts have come to a complete stop. Disconnect spark plug wire and ground it against the engine to prevent unintended starting.

### Lubrication

#### Engine

Refer to the separate engine manual packed with your unit for all engine lubrication instructions.

**IMPORTANT:** When following instructions in separate engine manual for draining oil, be sure to protect frame to avoid oil dripping onto transmission parts.

#### Gear Shaft

Lubricate the gear shaft with 6-n-1 grease at least once a season or after every 25 hours of operation (available at automotive stores, or order part number 737-0170). Refer to Figure 9.

**IMPORTANT:** Keep all grease and oil off of the rubber friction wheel and aluminum drive plate.

#### Drive and Shifting Mechanism

Lubricate at least once a season or after every 25 hours of operation. Remove the rear cover, lubricate any chains, sprockets, gears, bearings, shafts, and shifting mechanism at least once a season. Use engine oil or a spray lubricant. **Avoid getting oil on the friction wheel rubber and aluminum drive plate.** Refer to Figure 9.

There is a grease fitting on the top of the axle shaft which drives the rear track drive wheels on both sides of the unit. Grease these fittings every 25 hours or once a season.

#### Traction Control / Auger Control Lock

The cams on the ends of the control rods which interlock the traction drive and auger drive controls must be lubricated at least once a season or every 25 hours of operation. The cams can be accessed beneath the handle panel. Use a multi-purpose automotive grease.

### Electric Chute-Rotation Motor

The gear on the electric chute-rotation motor and the base of the discharge chute itself should be lubed with multi-purpose automotive grease once a season. See Figure 11.

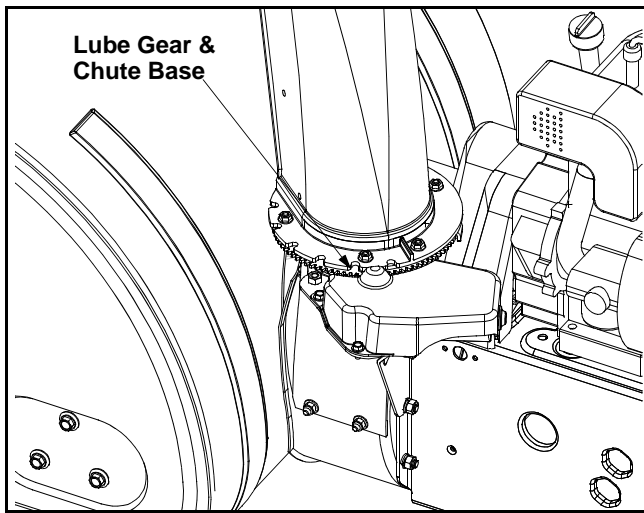


Figure 11

### Gear Case

The gear case is equipped with a grease fitting on the left housing and should be lubricated with Shell Alvania grease EPR00, part number 737-0168 every 25 hours. See Figure 12.

Do not overfill the gear case. Damage to the seals could result. Be sure the vent plug is free of grease in order to relieve pressure.

### Auger Shaft

At least once a season, remove the shear bolts on the auger shaft. Spray lubricant inside the shaft. Also lubricate the plastic auger bearings at least once a season and grease the fittings on the end of the auger shaft with a standard grease gun. See Figure 12.

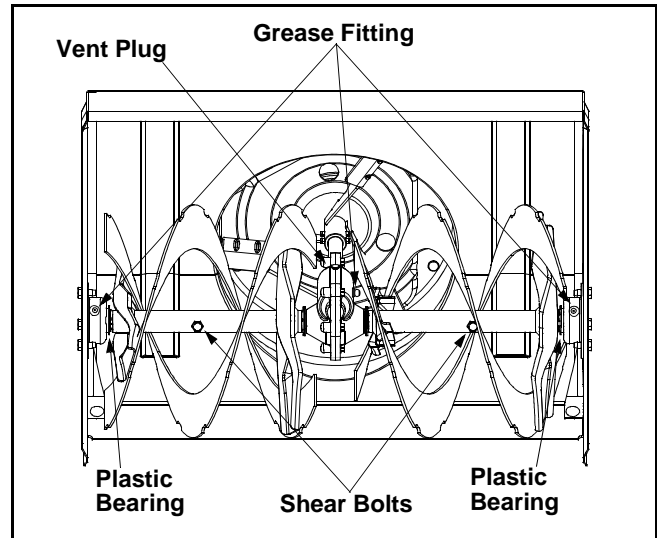


Figure 12

## SECTION 7: SERVICING YOUR SNOW THROWER



**WARNING:** Before servicing, repairing, or inspecting, disengage all clutch levers and stop engine. Wait until all moving parts have come to a complete stop. Disconnect spark plug wire and ground it against the engine to prevent unintended starting.

### Engine

Refer to the separate engine manual packed with your unit for all engine maintenance procedures.

### Augers

- The augers are secured to the spiral shaft with two shear bolts and hex lock nuts. If you hit a hard foreign object or ice jam, the snow thrower is designed so that the bolts may shear. Refer to Figure 12.
- If the augers will not turn, check to see if the bolts have sheared. Replacement shear bolts and hex lock nuts have been provided with the snow thrower. When replacing bolts, spray an oil lubricant into shaft before inserting new bolts.

**IMPORTANT:** NEVER replace the auger shear bolts with standard hex bolts. Any damage to the auger gearbox

or other components as a result of doing so will NOT be covered by your snow thrower's warranty.

### Shave Plate and Skid Shoes

The shave plate and skid shoes on the bottom of the snow thrower are subject to wear. They should be checked periodically and replaced when necessary. To remove the skid shoes, proceed as follows:

- Remove the six carriage bolts, bell washers, and hex nuts which attach them to the snow thrower.
- Reassemble new skid shoes with the six carriage bolts, bell washers (cupped side goes against skid shoes) and hex nuts. Make certain the skid shoes are adjusted to be level.

To remove shave plate, remove the carriage bolts, bell washers, and hex nuts which attach it to the snow thrower housing. Reassemble new shave plate, making sure heads of the carriage bolts are to the inside of the housing. Tighten securely.

### Belt Removal And Replacement

#### Auger Belts

- Remove the plastic belt cover by removing the two self-tapping screws. See Figure 13.

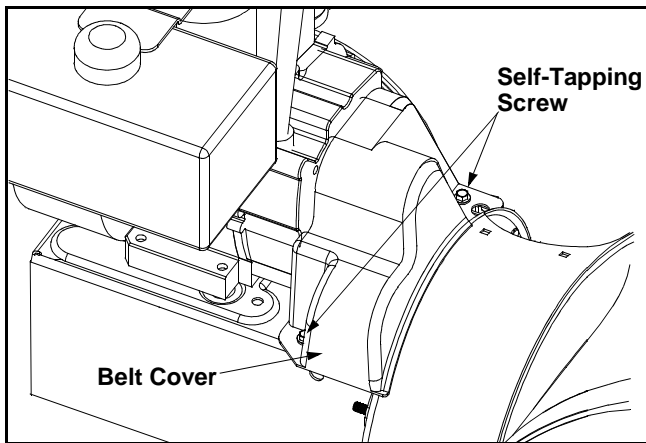


Figure 13

- Remove the three hex nuts and lock washers which attach the auger housing assembly to the frame assembly on each side. See Figure 14.



**WARNING:** Do not attempt to change the auger belt without the help of an assistant. It is very important that one person, standing at the operating position, firmly hold the snow thrower housing to prevent it from tipping while the other person replaces the belt. Failure to comply with this may result in injury.

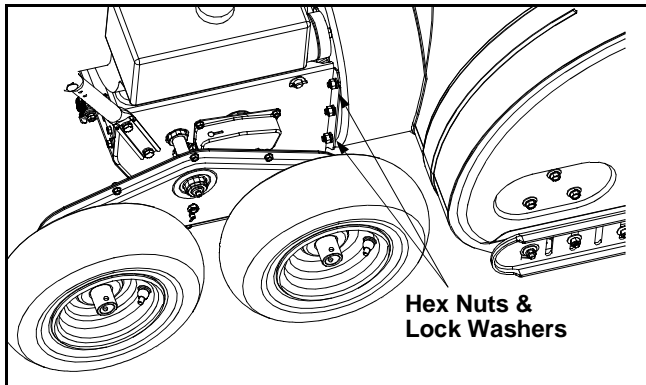


Figure 14

- Standing in the operating position, lift up on the handles and pull the frame assembly rearward. The frame and the housing will separate and the rear auger belt will come off the pulley. Maintain control of the frame assembly while pulling it.
- Remove the two belts from the two engine pulleys. See Figure 15.
- To remove the front auger drive belt, push the idler pulley to the left. The belt brake should move outward and lift the front auger drive belt from the front auger pulley.
- Place new belts on the two auger pulleys making sure that the front auger belt is under the belt brake. Route belts under and to the left of the flat idler pulley. Hold the belts upward in this position.

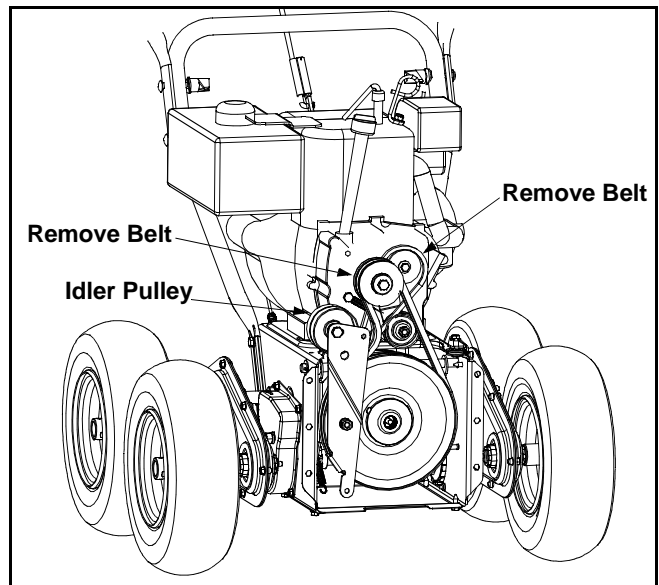


Figure 15

- While lifting up on the handles, bring the frame assembly close to the auger housing and place the two belts on the front and rear engine pulleys. See Figure 16.

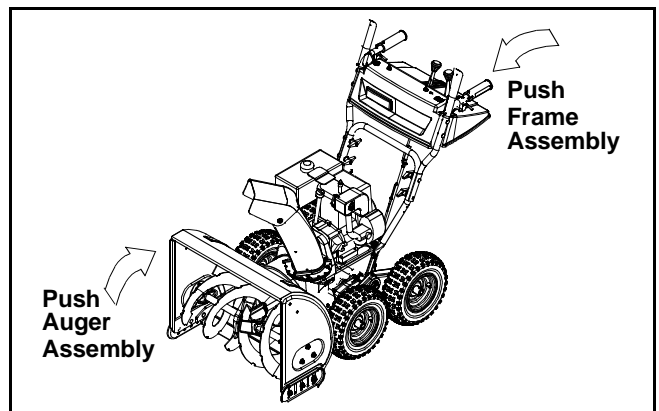


Figure 16

- Level the frame assembly and tip the auger housing forward to align studs with the corresponding holes on both sides of the frame assembly.

**NOTE:** Use care to avoid pinching the control cable.

- From the frame assembly side, insert the six lock washers and hex nuts previously removed onto the studs. Tighten nuts securely. See Figure 14.
- Reinstall the belt cover on the front of the engine with the two self-tapping screws and flat washers.

**NOTE:** Make sure that the auger cable is routed in front of the belt.

#### Drive Belt

- Drain the gasoline from the snow thrower or place a piece of plastic under the gas cap.

- Remove the plastic belt cover on the front of the engine by removing the two self-tapping screws.
- Tip the snow thrower up and forward, so that it rests on the housing.
- Remove six self-tapping screws from the frame cover underneath the snow thrower.
- Pull the idler pulley away from the drive belt and remove the belt from the engine pulley.
- Working from the underside of the frame, slip belt between the friction wheel and the friction wheel disc. You may have to twist the belt flat in order to slide it through the clearance between the friction wheel and the friction wheel disc. Remove and replace the belt. Reassemble following the instructions in reverse order. See Figure 17.

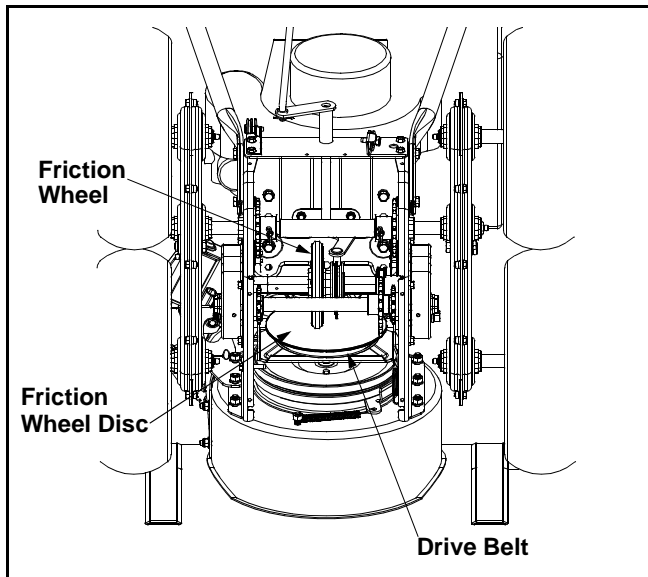


Figure 17

## Servicing Friction Wheel Rubber

The rubber on the friction wheel is subject to wear and should be checked after 25 hours of operation, and periodically thereafter. Replace the friction wheel rubber if any signs of wear or cracking are found.

- Drain the gasoline from the snow thrower or place a piece of plastic under the gas cap.
- Tip the snow thrower up and forward, so that it rests on the housing.
- Remove six screws from the frame cover underneath the snow thrower.
- Remove the left wheels from the axle.
- Remove the four screws securing the left drive cover to the frame. Remove the drive cover from the side of the frame. See Figure 18.
- Holding the friction wheel assembly, slide the gear shaft out of the left side of the unit. The spacer on the right side of the gear shaft will fall and the sprocket should remain hanging loose in the chain. See Figure 18.

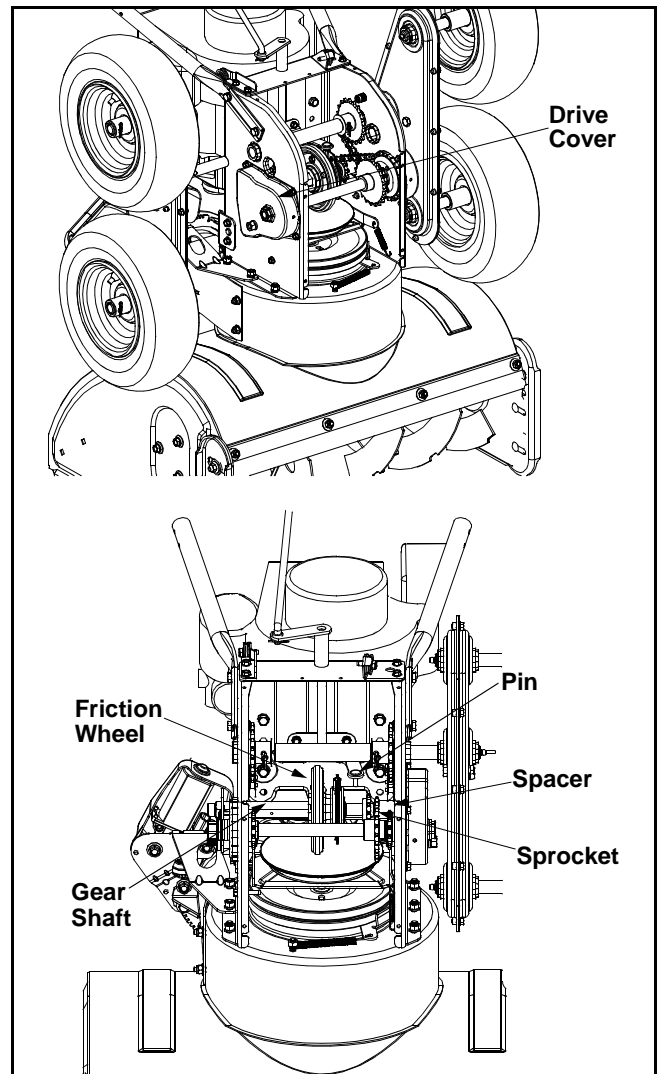


Figure 18

- Lift the friction wheel assembly out between the axle shaft and the drive shaft assemblies.
- Remove the six screws from the friction wheel assembly (three from each side). Remove the friction wheel rubber from between the friction wheel plates. See Figure 19.

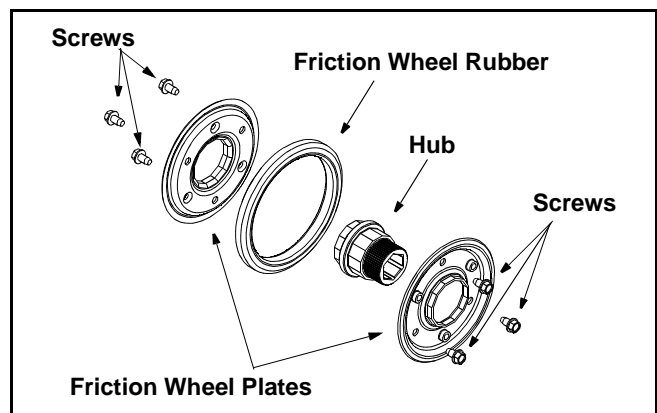


Figure 19

- Reassemble new friction wheel rubber to the friction wheel assembly, tightening the six screws in rotation and with equal force.
- Insert the pin from the shift arm assembly into the friction wheel assembly and hold assembly in position. Refer to Figure 18.
- Slide the gear shaft through the left side of the housing and through the friction wheel assembly.
- Insert the gear shaft through the sprocket and the spacer. Make certain that the chain engages both the large and the small sprocket. Refer to Figure 18.

**NOTE:** *If the sprocket fell from the snow thrower while removing the hex shaft, place the sprocket on the hex shaft. Position the hex hub of the sprocket toward the friction wheel when sliding the sprocket on to the hex shaft.*

- Align the gear shaft with the right hand bearing and carefully guide the left hand bearing into the left side of the housing.
- Reassemble the drive cover with the four screws that were previously removed.

**NOTE:** *If you placed plastic under the gas cap, be certain to remove it.*

## Off-season Storage



**WARNING:** Never store the machine or fuel container indoors where there is an open flame, spark, or pilot light such as on water heater, furnace, clothes dryer, or other gas appliance.



**WARNING:** Drain fuel into an approved container outdoors, away from an open flame. Allow engine to cool. Extinguish cigarettes, cigars, pipes, and other sources of ignition prior to draining fuel. Fuel left in engine for extended periods deteriorates and will cause starting problems.

If unit is to be stored over 30 days, prepare for storage as follows:

- Remove gasoline from carburetor and fuel tank to prevent gum deposits from forming on these parts and causing possible malfunction of engine.
- Run engine until fuel tank is empty and engine stops due to lack of fuel.
- Drain carburetor by pressing upward on bowl drain, located below the carburetor cover.

**NOTE:** *Fuel stabilizer is an acceptable alternative in minimizing the formation of fuel gum deposits during storage. Do not drain carburetor if using fuel stabilizer.*

- Wipe equipment with an oiled rag to prevent rust.
- Remove spark plug and pour one ounce of engine oil through spark plug hole into cylinder. Cover spark plug hole with rag. Crank engine several times to distribute oil. Replace spark plug.
- Follow the lubrication recommendations found in the Maintenance Section.
- Always store the snow thrower in a clean, dry area.

**NOTE:** *When storing any type of power equipment in an unventilated or metal storage shed, care should be taken to rust proof the equipment. Using a light oil or silicone, coat the equipment, especially any chains, springs, bearings and cables.*

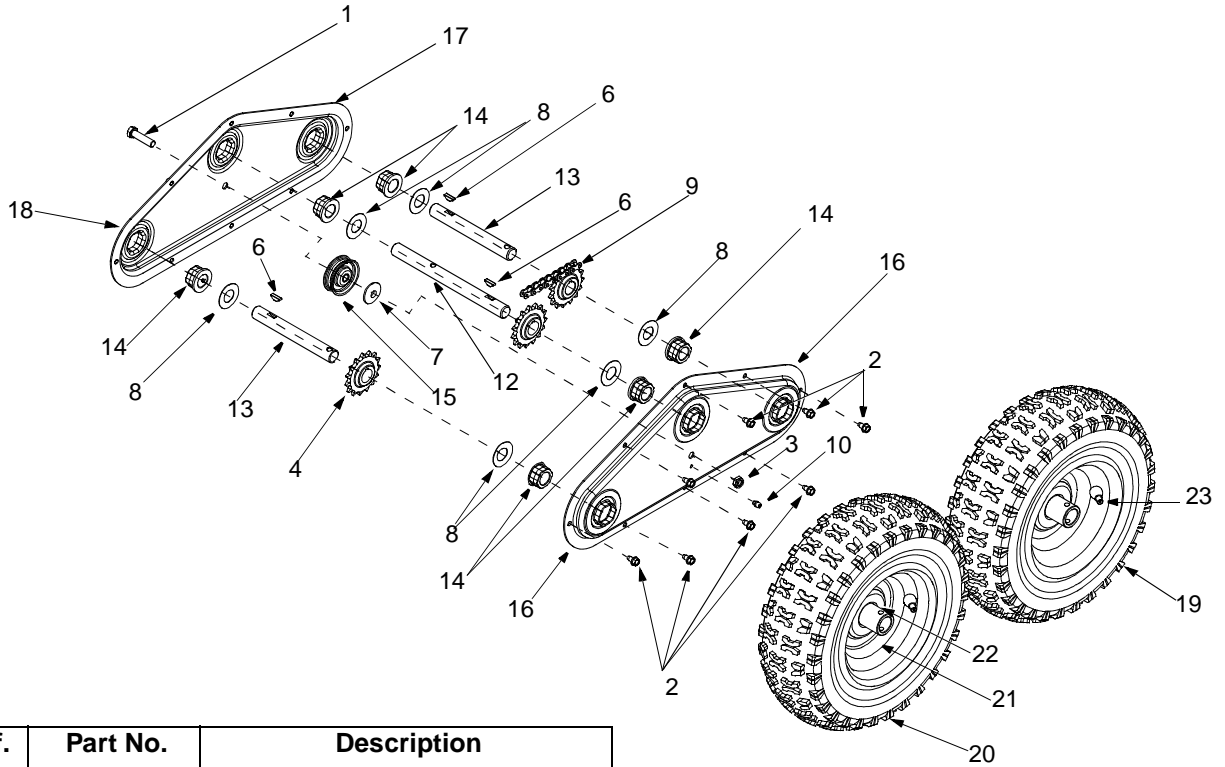
## SECTION 8: TROUBLE SHOOTING GUIDE

Trouble	Possible Cause(s)	Corrective Action
Engine fails to start	<ol style="list-style-type: none"> <li>1. Fuel tank empty, or stale fuel.</li> <li>2. Blocked fuel line.</li> <li>3. Choke not in the ON position</li> <li>4. Faulty spark plug.</li> <li>5. Safety key not in ignition switch on engine.</li> <li>6. Spark plug wire disconnected.</li> <li>7. Primer button not being used properly.</li> <li>8. Fuel shut-off valve closed.</li> </ol>	<ol style="list-style-type: none"> <li>1. Fill tank with clean, fresh gasoline. Fuel becomes stale after thirty days.</li> <li>2. Clean the fuel line.</li> <li>3. Move switch to the ON position</li> <li>4. Clean, adjust gap or replace.</li> <li>5. Insert the key fully into the switch.</li> <li>6. Connect spark plug wire.</li> <li>7. Refer to the engine manual.</li> <li>8. Open fuel shut-off valve.</li> </ol>
Engine runs erratic	<ol style="list-style-type: none"> <li>1. Unit running on CHOKE.</li> <li>2. Blocked fuel line or stale fuel.</li> <li>3. Water or dirt in the fuel system.</li> </ol>	<ol style="list-style-type: none"> <li>1. Move the choke lever to OFF position.</li> <li>2. Clean the fuel line; fill the tank with clean, fresh gasoline.</li> <li>3. Drain the fuel tank and carburetor. Refill with fresh fuel.</li> </ol>
Loss of power	<ol style="list-style-type: none"> <li>1. Spark plug wire loose.</li> <li>2. Gas cap vent hole plugged.</li> </ol>	<ol style="list-style-type: none"> <li>1. Connect and tighten spark plug wire.</li> <li>2. Remove ice and snow from gas cap. Be certain vent hole is clear.</li> </ol>
Excessive vibration	<ol style="list-style-type: none"> <li>1. Loose parts or damaged auger.</li> </ol>	<ol style="list-style-type: none"> <li>1. Stop the engine immediately and disconnect the spark plug wire. Tighten all bolts and nuts. If vibration continues, have the unit serviced by an authorized service dealer.</li> </ol>
Unit fails to propel itself	<ol style="list-style-type: none"> <li>1. Traction control cable in need of adjustment.</li> <li>2. Drive belt loose or damaged.</li> </ol>	<ol style="list-style-type: none"> <li>1. Adjust traction control cable. Refer to Making Adjustments Section.</li> <li>2. Replace drive belt. Refer to the Service Section.</li> </ol>
Unit fails to discharge snow	<ol style="list-style-type: none"> <li>1. Discharge chute clogged.</li> <li>2. Foreign object lodged in auger.</li> <li>3. Auger control cable in need of adjustment.</li> <li>4. Auger belt loose or damaged.</li> <li>5. Shear bolt sheared.</li> </ol>	<ol style="list-style-type: none"> <li>1. Stop engine and disconnect spark plug wire. Clean discharge chute and inside of auger housing.</li> <li>2. Stop engine immediately and disconnect spark plug wire. Remove object from auger.</li> <li>3. Adjust auger control cable. Refer to the Making Adjustments Section.</li> <li>4. Refer to Service Section.</li> <li>5. Replace shear bolt.</li> </ol>
Electric chute fails to turn	<ol style="list-style-type: none"> <li>1. Loose electrical connections.</li> <li>2. Blown Fuse.</li> </ol>	<ol style="list-style-type: none"> <li>1. Make sure all connections are tight and fully installed.</li> <li>2. Replace with new 5 amps fuse. (Fuse is located under handle panel near switch connector.)</li> </ol>
Electric chute turns in opposite direction of the switch	<ol style="list-style-type: none"> <li>1. Switch connector installed backwards</li> </ol>	<ol style="list-style-type: none"> <li>1. Unplug the switch connector under the handle panel. Turn connector 180° and reconnect.</li> </ol>
Heated grips are not creating heat	<ol style="list-style-type: none"> <li>1. Loose electrical connections.</li> <li>2. Blown fuse.</li> <li>3. Faulty heated handles grip.</li> </ol>	<ol style="list-style-type: none"> <li>1. Under the handle panel, check connections from the handles to the wiring harness.</li> <li>2. Replace with new 5 amps fuse under the handle panel near crank switch connector.</li> <li>3. Have the grips checked at an authorized service dealer. <b>NOTE:</b> <i>If one heated handles grip fails, both grips will not function.</i></li> </ol>

**NOTE:** For repairs beyond the minor adjustments listed above, please contact your local Cub Cadet dealer.

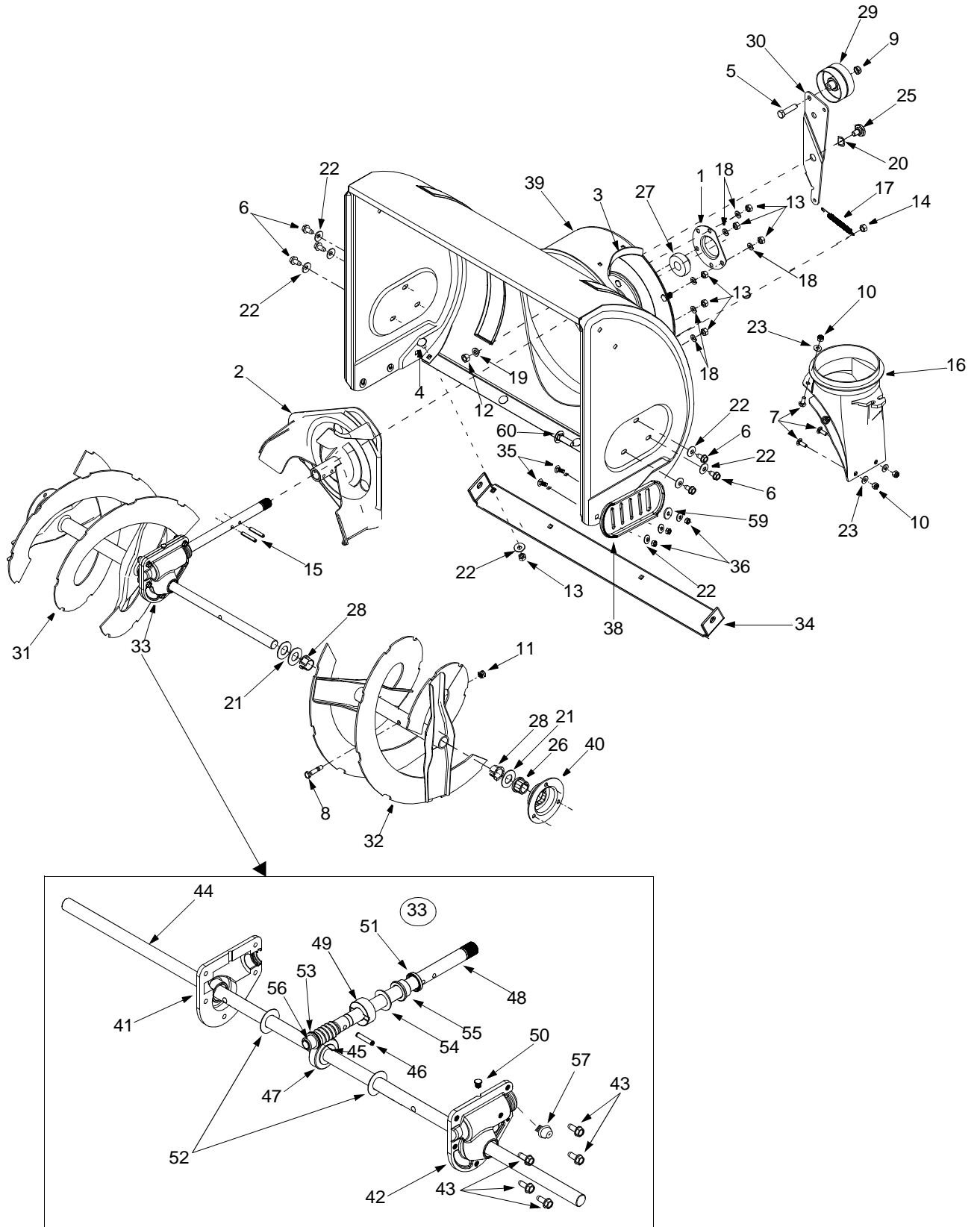


# Model H4Q3G



Ref. No.	Part No.	Description
1.	710-0459A	Special Hex Screw: 3/8-24 x 1.5"
2.	710-0599	TT Screw: 1/4-20 x 0.5"
3.	712-0116	Jam Nut
4.	713-0491	Sprocket
5.	713-0600	Chain
6.	714-0161	Key
7.	736-0235	Flat Washer
8.	736-0351	Flat Washer
9.	737-0170	Lubricant: 6in 1
10.	737-3000	Lube Fitting
12.	738-1135A	Drive Axle
13.	738-1136A	Wheel Axle
14.	741-0598	Hex Flange Bearing
15.	756-0313	Flat Idler
16.	784-0400A	Chain Case: Outer
17.	784-0401A	Chain Case: Inner
18.	618-0420A	Chain Case Assembly RH
	618-0421A	Chain Case Assembly LH
19.	634-0195	Complete Wheel Assembly
20.	734-1732	Tire Assembly
21.	734-1735	Rim Assembly
22.	741-0401	Bearing
23.	734-0255	Air Valve

# Model H4Q3G



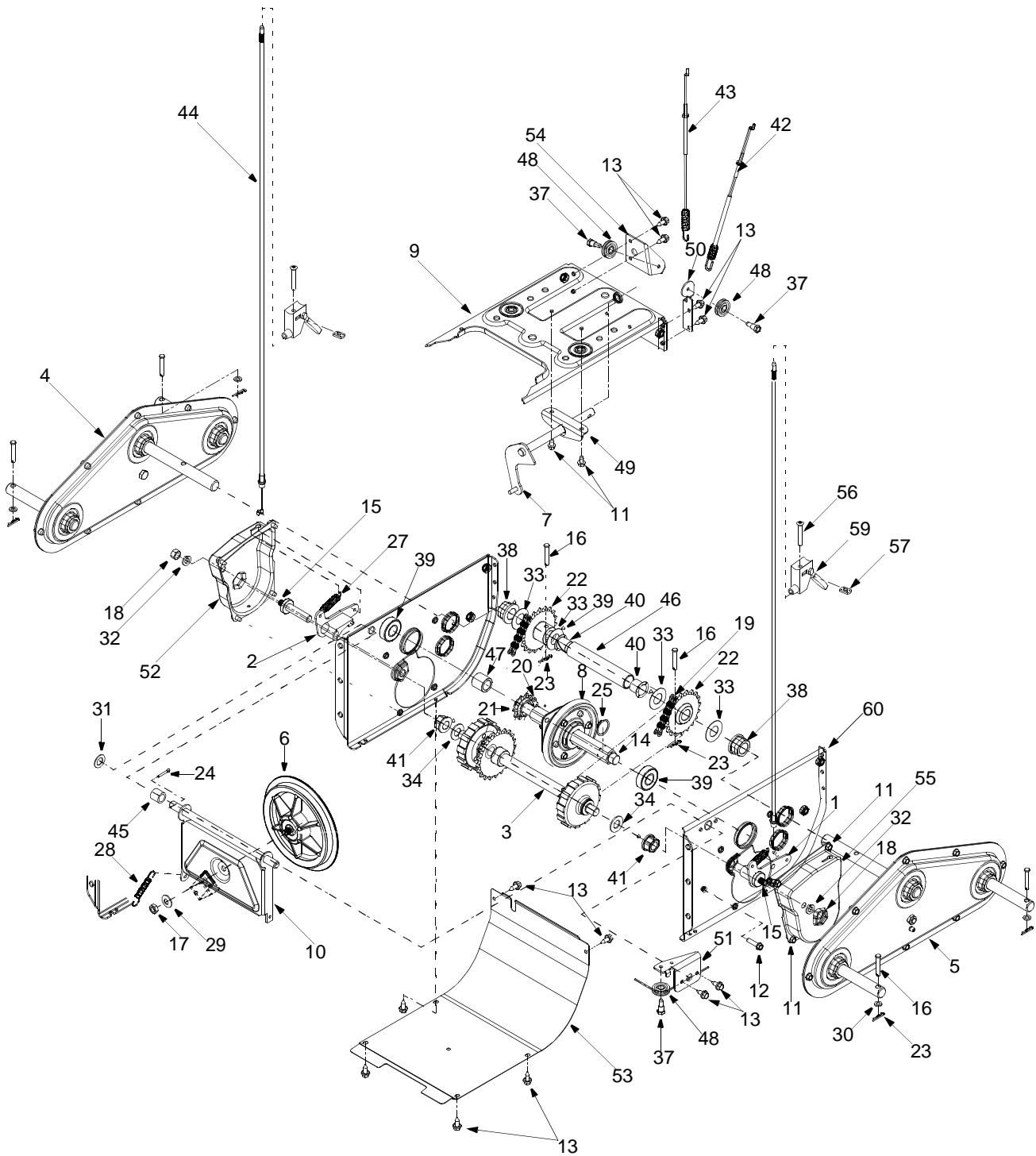
# Model H4Q3G

Ref. No.	Part No.	Description	Ref. No.	Part No.	Description
1.	05931A	Bearing Housing	31.	605-5196A	Spiral Assembly: RH 28"
2.	684-0065	Impeller Assy. 12" dia.	32.	605-5197A	Spiral Assembly: LH 28"
3.	705-5226	Chute Reinforcement	33.	618-0416A	Gear Assembly: Auger 28"
4.	710-0451	Carriage Bolt 5/16-18 x .75" Gr.2	34.	784-5582A	Shave Plate: Auger 28"
5.	710-0459A	Hex Screw 3/8-24 x 1.5" Gr.5	35.	710-0451	Carr. Bolt: 5/16-18 x 0.75
6.	710-0604A	Hex Screw 5/16-18	36.	712-3010	Hex Nut: 5/16-18 Gr.5
7.	710-0703	Carriage Screw 1/4-20 x .75"	37.	736-0242	Belleville Washer
8.	710-0890A	Shear Bolt 5/16-18 x 1.5"	38.	784-5038B	Slide Shoe
9.	712-0116	Jam Nut 3/8-24	39.	684-0041C	Auger Housing Assy. 28"
10.	712-0324	Hex Lock Nut 1/4-20	40.	784-5618	Bearing Housing
11.	712-0429	Hex Lock Nut 5/16-18	41.	618-0123	RH Housing
12.	712-0798	Hex Nut 3/8-16 Gr.2	42.	618-0124	LH Housing
13.	712-3010	Hex Nut 5/16-18 Gr.5	43.	710-0642	TT Screw, 1/4-20 x .75
14.	712-3068	Hex Patch Nut 5/16-18	44.	711-0910A	Spiral Axle, 28"
15.	715-0114	Spiral Pin	45.	714-0161	Hi-Pro Key, 3/16 x 5/8
16.	731-1379C	Chute Adapter	46.	715-0143	Spring Spiral Pin, .25 x 1.25
17.	732-0611	Extension Spring	47.	717-0528	Worm Gear, 20T
18.	736-0119	Lock Washer	48.	717-0526	Worm Shaft
19.	736-0169	Lock Washer	49.	718-0186	Thrust Collar
20.	736-0167	Wave Washer	50.	721-0325	Grease Plug
21.	736-0188	Flat Washer	51.	721-0327	Grease Seal
22.	736-0242	Belleville Washer	52.	736-0351	Flat Washer .76 x 1.5 x .030
23.	736-0463	Flat Washer	53.	736-0369	Flat Washer .508 x 1.0 x .020
25.	738-0281	Shoulder Screw	54.	736-0445	Flat Washer .76 x 1.5 x .060
26.	741-0245	Hex Flange Bearing	55.	741-0662	Flange Bearing .75 x 1.0 x .59
27.	741-0309	Flange Ball Bearing	56.	741-0663	Flange Bearing .503 ID x .75 OD
28.	741-0493A	Flange Bushing	57.	737-3000	Grease Fitting
29.	756-0178	Flat Idler	59.	736-0231	Flat Washer
30.	784-5632A	Auger Idler Arm	60.	710-0276	Carriage Screw: Special

**NOTE:** For **painted parts**, please refer to the list of color codes below. Please add the applicable color code, wherever needed, to the part number to order a replacement part. For instance, if a part, numbered 700-xxxx, is painted Cub Yellow, the part number to order would be 700-xxxx-0716.

Cub Yellow: 0716  
 Cub Beige: 0499  
 Cub Blue: 0685  
 Powder Black: 0637

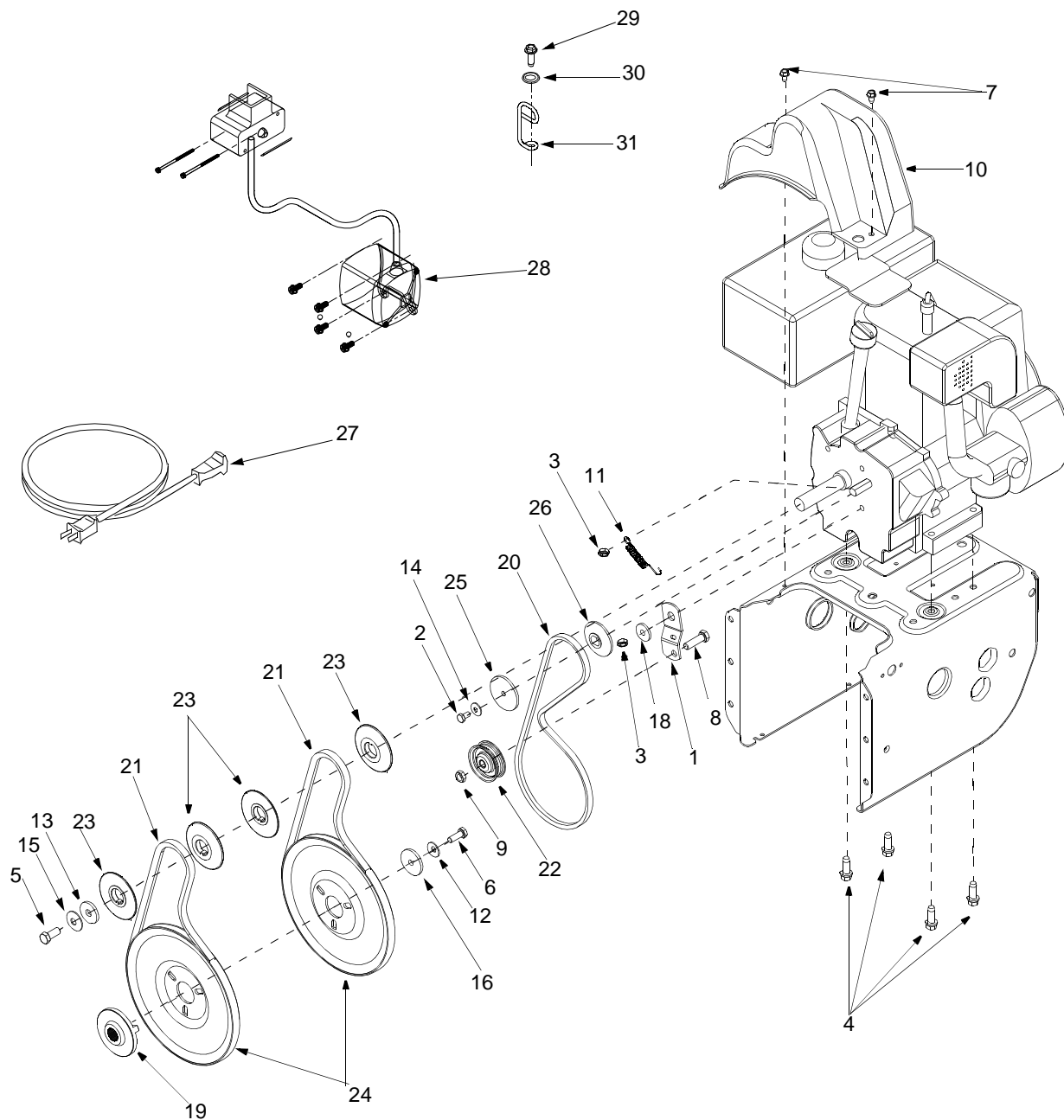
# Model H4Q3G



# Model H4Q3G

Ref. No.	Part No.	Description	Ref. No.	Part No.	Description
1.	618-0043	Dogg Assembly: RH	37.	738-0924	Shoulder Screw
2.	618-0044	Dogg Assembly: LH	38.	741-0598	Hex Flange Bearing
3.	618-0303A	Shift Assembly: Steerable Drive	39.	741-0600	Ball Bearing
4.	618-0420A	Chain Case Assembly: RH	40.	741-0701	Flange Bushing
5.	618-0421A	Chain Case Assembly: LH	41.	741-1111	Hex Flange Bearing
6.	656-0012A	Friction Wheel Disc Assy.	42.	746-0897	Auger Clutch Cable
7.	684-0014B	Shift Rod Assembly	43.	746-0898	Drive Clutch Cable
8.	684-0042C	Bearing	44.	746-0956	Steering Cable
9.	684-0130	Transmission Frame Assembly	45.	748-0190	Spacer
10.	684-0131A	Support Bracket Assembly	46.	750-1161A	Support Tube: Axle
11.	710-0599	Hex Washer Screw 1/4-20 x 0.5"	47.	750-1162	Spacer
12.	710-0788	Hex Washer Screw 1/4-20 x 1.0"	48.	756-0625	Roller Cable
13.	710-1652	Hex Washer Screw 1/4-20 x .625"	49.	784-5590	Shift Bracket
14.	711-1267	Drive Shaft	50.	784-5687A	Auger Clutch Cable Guide Bracket
15.	711-1268	Actuator Shaft	51.	784-5689A	Front Support Guide Bracket
16.	711-1364	Pin	52.	784-5730A	Retaining Shaft RH: Actuator Drive
17.	712-0711	Jam Nut 3/8-24 Gr.8	53.	784-5732	Frame Cover
18.	712-3017	Hex Nut: 3/8-16	54.	784-5733	Roller Bracket: Drive Cable
19.	713-0602	Chain	55.	784-5740	Retaining Shaft LH: Actuator Drive
20.	713-0233	Chain	56.	710-1233	Oval C-Sunk Machine Screw
21.	713-0413	Sprocket: 19T	57.	712-0127	Weld Nut
22.	713-0473	Sprocket	58.	725-0157	Cable Tie (not shown)
23.	714-0104	Cotter Pin	59.	746-0950	Turn Trigger
24.	714-0474	Cotter Pin	60.	784-5731A	Frame
25.	716-0102	Snap Ring		777D03040	Label: Auger Side 4x4
27.	732-0209	Extension Spring		777D03165	Label: Heated Handle
28.	732-0264	Extension Spring		777D04558	Label: Handle Panel
29.	736-0105	Bell Washer		777D04560	Label: Engine
30.	736-0142	Flat Washer		777I20508	Label: H-Steer LH
31.	736-0160	Flat Washer		777I20724	Label: H-Steer RH
32.	736-0169	Lock Washer		777S30511	Label: Chute Danger
33.	736-0351	Flat Washer		777S30514	Label: Housing Danger
34.	736-0626	Flat Washer			

# Model H4Q3G



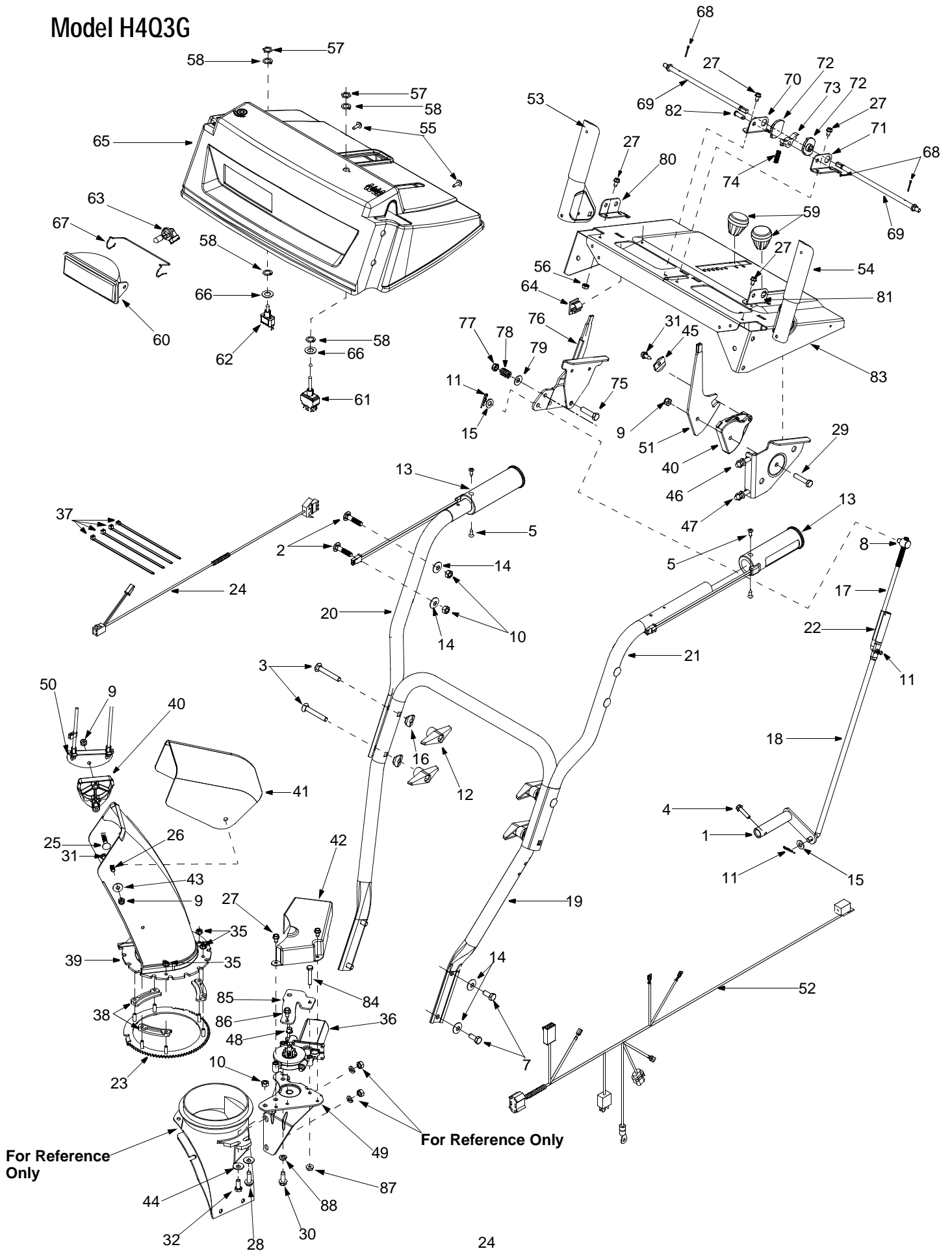
## Model H4Q3G

Ref. No.	Part No.	Description	Ref. No.	Part No.	Description
1.	05896A	Idler Bracket	16.	736-0505	Flat Washer
2.	710-0230	Hex Bolt 1/4-28 x 0.5" Gr.5	18.	748-0234	Shoulder Spacer
3.	710-0627	Hex Scr w/ Patch: 5/16-24 x 0.75"	19.	748-0360	Adapter Pulley
4.	710-0654A	Hex Washer Head Sems Screw	20.	754-0346	V-Belt
5.	710-0696	Hex Bolt 3/8-24 x .875" Gr.8	21.	754-0430A	Belt
6.	710-1245A	Hex Scr w/ Patch: 5/16-24 x .875"	22.	756-0313	Flat Idler
7.	710-1652	Hex Washer Head TT	23.	756-0569	Pulley Half
8.	710-3005	Hex Screw: 3/8-16 x 1.0"	24.	756-0967	Auger Pulley
9.	712-0181	Top Lock Jam Nut: 3/8-16	25.	756-0986	Pulley Half
10.	731-1324	Belt Cover	26.	756-0987	Pulley Half
11.	732-0710	Extension Spring	27.	629-0071	Extension Cord
12.	736-0242	Bellevile Washer	28.	OEM-390-987	Electric Start Kit
13.	736-0247	Flat Washer	29.	712-0324	Lock Nut 1/4-20
14.	736-0270	Bell Washer	30.	736-0173	Flat Washer .28 ID x .74 OD
15.	736-0331	Bell Washer	31.	732-0705	Cable Guide

**IMPORTANT:** For a proper working machine, use Factory Approved Parts.

**V-BELTS** are specially designed to engage and disengage safely. A substitute (non OEM) V-Belt can be dangerous by not disengaging completely

# Model H4Q3G





# Model H4Q3G

Ref. No.	Part No.	Part Description	Ref. No.	Part No.	Part Description
1.	684-0008A	Shift Arm Assembly	47.	746-0901	Control Cable
2.	710-0262	Carriage Bolt 5/16-18 x 1.5"	48.	741-1140	Bushing
3.	710-0449	Carriage Bolt 5/16-18 x 2.25"	49.	784-5745	Motor Bracket
4.	710-0788	TT Screw 1/4-20 x 1"	50.	784-5594	Cable Bracket
5.	710-0837	C-Sunk Screw #10-16x 0.625"	51.	784-5604	Handle: Chute Tilt
7.	710-1880	Hex Screw 5/16-18 x .75"	52.	629-0936A	Harness Assembly: Upper
8.	711-0677	Ferrule	53.	684-0036A	Handle Assembly RH
9.	712-3068	Hex Lock Nut 5/16-18	54.	684-0037B	Handle Assembly LH
10.	712-3010	Hex Nut 5/16-18	55.	710-1003	Special Hex Screw
11.	714-0104	Cotter Pin	56.	712-0271	Hex Sems Nut: 1/4-20
12.	720-0284	Handle Knob	57.	712-0693	Hex Nut
13.	725-1757	Heated Grip	58.	716-0398	Lock Ring: Toggle Switch
14.	736-0242	Belleville Washer	59.	720-0232	Shift Knob
15.	736-0275	Flat Washer	60.	725-1672	Lamp Housing
16.	736-0451	Saddle Washer	61.	725-1755	Toggle Switch: Double Throw
17.	747-0620A	Shift Rod: Upper	62.	725-1756	Toggle Switch: Single Throw
18.	747-0621	Shift Rod: Lower	63.	725-1759	Halogen Lamp: 50W, 12V
19.	749-0951	Lower Handle	64.	726-0152	Mounting Clamp
20.	749-0952A	Upper Handle: L Style RH	65.	731-2276	Handle Panel
21.	749-0953A	Upper Handle: L Style LH	66.	736-0226	Flat Washer
22.	750-0963	Connector: Shift Rod	67.	747-1136	Headlight Retainer
23.	618-0419	Gear Assembly: Ring	68.	714-0507	Cotter Pin: 3/32 x .75
24.	629-0937	Electric Harness: Lower	69.	747-0877	Cam Rod
25.	710-0262	Carriage Bolt: 5/16-18 x 1.5"	70.	784-5680	RH Handle Support Bracket
26.	710-0451	Carriage Bolt: 5.16-18 x .750"	71.	784-5679	LH Handle Support Bracket
27.	710-0599	TT Screw: 1/4-20 x 0.5"	72.	748-0362	Cam Handle Lock
28.	710-0602	TT Screw: 5/16-18 x 1"	73.	748-0363	Handle Lock Pawl
29.	710-0805	Hex Screw: 5/16-18 x 1.5"	74.	732-0145	Compression Spring: .36 x 1.0
30.	710-0650	Hex Washer Screw 5/16-18 x .875	75.	710-0459A	Hex Cap Screw: 3/8-24 x 1.5
31.	710-0896	Hex Screw AB:1/4-14 x 0.625"	76.	784-5619A	Shift Handle
32.	710-3008	Hex Screw: 5/16-18 x .75"	77.	712-0116	Jam Nut, 3/8-24
35.	712-3027	Hex Flange Lock Nut	78.	732-0193	Comp. Spring: .39 x .6 x .88
36.	724-0249B	Electric Motor: Chute Crank	79.	736-0105	Bell Washer
37.	725-0157	Cable Tie	80.	784-5682	RH Handle Support Bracket
38.	731-0851A	Chute Flange Keeper	81.	784-5681	LH Handle Support Bracket
39.	731-1300A	Lower Chute	82.	711-0653	Clevis Pin
40.	731-1313C	Cable Guide: Chute Tilt	83.	684-0102	Handle Panel Assembly
41.	731-1320	Upper Chute	84.	710-0606	Hex Cap Screw 1/4-20 x 1.5
42.	731-2611	Motor Cover: Chute Rotation	85.	784-0411	Top Support Motor Bracket
43.	736-0159	5/16 Washer	86.	710-1652	Hex Washer Screw 1/4-20 1.5
44.	736-0242	Belleville Washer	87.	712-3027	Hex Flange Nut 1/4-20
45.	736-0506	Special Washer	88.	736-0119	Lock Washer 5/16
46.	746-0896	Control Cable			

# Notes



# MANUFACTURER'S LIMITED WARRANTY FOR:



## **TWO-YEAR RESIDENTIAL ONE-YEAR COMMERCIAL**

Proper maintenance of your Cub Cadet equipment is the owner's responsibility. Follow the instructions in your operator's manual for correct lubricants and maintenance schedule. Your Cub Cadet dealer carries a complete line of quality lubricants and filters for your equipment's engine, transmission, chassis and attachments.

### **Riding mowers, lawn tractors, garden tractors, Cub Cadet attachments and home maintenance products**

This limited warranty for residential users, covers any defect in materials or workmanship in your Cub Cadet equipment for two years from the date of purchase for the first user purchaser. We will replace or repair any part or parts without charge through your authorized Cub Cadet dealer.

Batteries have a one-year prorated limited warranty with 100% replacement during the first three months.

V-belts for either the traction drive or any attachments are covered for one year only.

Cub Cadet equipment used commercially is warranted for one year only.

(Commercial use is defined as either having hired operators or used for income producing purposes.)

### **Items not covered**

The warranty does not cover routine maintenance items such as lubricants, filters (oil, fuel, air and hydraulic), cleaning, tune-ups, brake and/or clutch inspection, adjustments made as part of normal maintenance, blade sharpening, set-up, abuse, accidents and normal wear. It does not cover incidental costs such as transporting your equipment to and from the dealer, telephone charges or renting a product temporarily to replace a warranted product.

There is no other express warranty.

### **How to obtain service**

Contact your authorized Cub Cadet servicing dealer who sold you your Cub Cadet equipment. If this dealer is not available, see the Consumer Yellow Pages under "lawn mowers" for the name of a dealer near you.

If you need further assistance in finding an authorized Cub Cadet servicing dealer, contact:

**Cub Cadet Corporation  
Post Office Box 368023  
Cleveland, Ohio 44136**

### **How does state law apply?**

This limited warranty gives you specific legal rights, and you may also have other rights which vary from state to state.

## Free Manuals Download Website

<http://myh66.com>

<http://usermanuals.us>

<http://www.somanuals.com>

<http://www.4manuals.cc>

<http://www.manual-lib.com>

<http://www.404manual.com>

<http://www.luxmanual.com>

<http://aubethermostatmanual.com>

Golf course search by state

<http://golfingnear.com>

Email search by domain

<http://emailbydomain.com>

Auto manuals search

<http://auto.somanuals.com>

TV manuals search

<http://tv.somanuals.com>