

Cuisinart®

INSTRUCTION & RECIPE BOOKLET



4-Cup Coffeemaker

DCC-450 Series

For your safety and continued enjoyment of this product, always read the instruction book carefully before using.

Download from [Www.Somanuals.com](http://www.Somanuals.com). All Manuals Search And Download.

IMPORTANT SAFEGUARDS

When using electrical appliances, basic safety precautions should always be followed to reduce the risk of fire, electric shock and/or injury to persons, including the following:

1. **READ ALL INSTRUCTIONS.**
2. Do not touch hot surfaces. Use handles and knobs.
3. To protect against electric shock, do not place cord, plug, or base unit in water or other liquids.
4. Close supervision is necessary when any appliance is used by or near children.
5. Always unplug from outlet when not in use and before cleaning. Allow to cool before putting on or taking off parts and before cleaning the appliance.
6. Do not operate any appliance with a damaged cord or plug or after the appliance malfunctions or has been dropped or damaged in any manner. Return appliance to the nearest Cuisinart Repair Center for examination, repair, and electrical or mechanical adjustment.
7. The use of accessory attachments not recommended by Cuisinart may cause injuries.
8. Do not use outdoors.
9. Do not let cord hang over edge of table or counter, or touch hot surface.
10. Do not place on or near a hot gas or electric burner, or in a heated oven.
11. Always fill water reservoir first, then plug cord into the wall outlet. To disconnect, push the rocker switch to Off, then remove plug from wall outlet.
12. Do not use appliance for other than intended use.
13. Snap lid securely onto carafe before serving any beverages.
14. Scalding may occur if the lid is removed during the brewing cycle.
15. The carafe is designed for use with these appliances only. It must never be used on the range top.

16. Do not set a hot carafe on a wet or cold surface.
17. Do not use cracked carafe or a carafe having a loose or weakened handle.
18. Do not clean carafe or warming plate with cleansers, steel wool pads, or other abrasive materials.
19. **WARNING: TO REDUCE THE RISK OF FIRE OR ELECTRIC SHOCK, DO NOT REMOVE THE BASE PANEL. NO USER SERVICEABLE PARTS ARE INSIDE. REPAIR SHOULD BE DONE ONLY BY AUTHORIZED PERSONNEL.**
20. Avoid contact with moving parts.

SAVE THESE INSTRUCTIONS FOR HOUSEHOLD USE ONLY

WARNING: RISK OF FIRE OR ELECTRIC SHOCK



The lightning flash with arrowhead symbol within an equilateral triangle is intended to alert the user to the presence of uninsulated dangerous voltage within the product's enclosure that may be of sufficient magnitude to constitute a risk of fire or electric shock to persons.



The exclamation point within an equilateral triangle is intended to alert the user to the presence of important operating and maintenance (servicing) instructions in the literature accompanying the appliance.

SPECIAL CORD SET INSTRUCTIONS

A short power-supply cord is provided to reduce the risks resulting from becoming entangled in or tripping over a longer cord.

Longer extension cords are available and may be used if care is exercised in their use. If a long extension cord is used, the marked electrical rating of the extension cord must be at least as great as the electrical rating of the appliance, and the longer cord should be arranged so that it will not drape over the counter top or table top where it can be pulled on by children or tripped over.

NOTICE

This appliance has a polarized plug (one blade is wider than the other). To reduce the risk of electric shock, this plug will fit in a polarized outlet only one way. If the plug does not fit fully in the outlet, reverse the plug. If it still does not fit, contact a qualified electrician.

Do not modify the plug in any way.

OPERATING NOTICE

Clogging and backing up of water and/or coffee in the filter basket can occur under any or a combination of any of the following conditions: The use of too finely ground coffee; using two or more paper filters; using the gold tone filter in conjunction with a paper filter or not properly cleaning coffee grounds from the gold tone filter; or allowing coffee grounds to spill over the filter.

Caution: Never open the filter basket during the brewing cycle, even if no water is draining from the filter basket, since extremely hot water/coffee can spill out from the filter basket and cause injury. If water/coffee is not draining from the filter basket during the brewing cycle, unplug the unit and wait 10 minutes before opening and checking the filter basket.

During and after brewing, hold carafe by handle only. Stainless steel will be hot.

CONTENTS

Important Safeguards	2
Unpacking Instructions	3
Introduction	4
The Quest for the Perfect Cup of Coffee	4
Features and Benefits	5
Making Coffee	6
Cleaning and Maintenance	6
Decalcification	7
Warranty	7

IMPORTANT UNPACKING INSTRUCTIONS

1. Place the box on a large, sturdy, flat surface. Lay the box on its side.
2. Remove the instruction book and any other literature.
3. Slide the packaged unit out of the box.
4. Remove the cardboard insert. Now remove the carafe from the coffee maker.
5. Carefully lift the coffeemaker from the remaining inserts.

We suggest you save all the packing materials in the event that future shipping of the machine is needed.

Keep all plastic bags away from children.



INTRODUCTION

Whether you're short on counter space, an occasional coffee drinker, or the only coffee drinker in your home, you'll find that Cuisinart's® 4-cup Coffeemaker fits your size needs as well as your desire for a stylish appliance with high-end features. This compact coffeemaker is small enough to store easily or leave on your counter, and it comes with practical features such as Brew Pause™ and automatic shutoff. With the convenience of this handy coffeemaker, you'll look forward to the morning coffee ritual.

THE QUEST FOR THE PERFECT CUP OF COFFEE

It is generally agreed that there are four basic elements critical to the perfect cup:

Element 1: Water

Coffee is 98% water. Often overlooked, the quality of the water is as important as the quality of the coffee. If you filter your drinking water, filter the water for your coffeemaker.

A good rule of thumb is that if your water doesn't taste good from the tap, it won't taste any better in your coffee.

For hard water areas, we recommend using bottled water. The calcium in the water and the softeners used to combat it have a major impact on the extraction of the coffee. Hard water will also accelerate calcium buildup inside the coffeemaker, which slows down brewing, affects the flavor of the coffee and ultimately may shorten the life of your coffeemaker.

Element 2: Coffee

While the bulk of the liquid is water, all of the flavor should be from the coffee. To achieve the same great quality cup of coffee you receive at a coffee bar, you need to use the same quality beans.

If you chose to grind your own beans, buy the beans fresh and whole, only about a two-week supply at a time for maximum freshness. Once the coffee bean is broken, its flavor degrades very quickly.

If it is not practical to buy small supplies, we recommend you separate larger amounts of beans into one to two week portions immediately after purchase and freeze them in airtight containers. The best way to maximize freshness is to minimize exposure to air, light and moisture. So, once beans have been removed from the freezer, maintain them in a sealed container at room temperature, since damaging condensation occurs every time the beans are removed from the freezer or refrigerator. Note that some coffee experts advise against freezing dark-roast beans because it can cause the oils to coagulate, while others disagree. We suggest you experiment and decide for yourself.

Element 3: Grind

The grind is critical in proper flavor extraction. If the grind is too fine, overextraction and bitterness will result. Too fine a grind may also clog your filter. If too coarse, the water will pass through too quickly and the desired flavors will not be extracted. We recommend a medium-fine grind.

Element 4: Proportion

The cups on the Cuisinart® coffeemaker are 5 ounces. Add the desired amount of ground coffee, corresponding to the number of cups being brewed. Many coffee bars and the Specialty Coffee Association of America recommend adding 2 rounded tablespoons of coffee per 6 ounces of water. Some coffee manufacturers recommend using one tablespoon per cup. We recommend 1 to 1½ tablespoons of ground coffee per cup, but use more or less to suit your taste.

FEATURES AND BENEFITS

This compact Cuisinart® 4-cup Coffeemaker includes practical features such as the Brew Pause™, so you can sneak a cup of coffee before brewing has finished. The carafe is heat-resistant with an ergonomic handle and drip-free spout for easy pouring. The newly designed showerhead controls the spray of water onto the coffee grounds for even water distribution and brewing for great tasting coffee.

1. Reservoir Cover

Flips back for easy filling.

2. Water Reservoir

3. Filter Basket (not shown)

Holds a #2 paper filter or a permanent filter.

4. Filter Basket Holder

5. Showerhead (not shown)

Designed for even distribution of water onto coffee and minimizes temperature loss of water passing through the grounds.

6. Brew Pause™

Stops flow of coffee from basket when carafe is removed (30 seconds maximum) from heater plate so a cup can be poured in mid-brew, if desired. Since the extraction rate varies during the brew cycle, we recommend allowing the brewing cycle to finish before pouring the finished coffee.

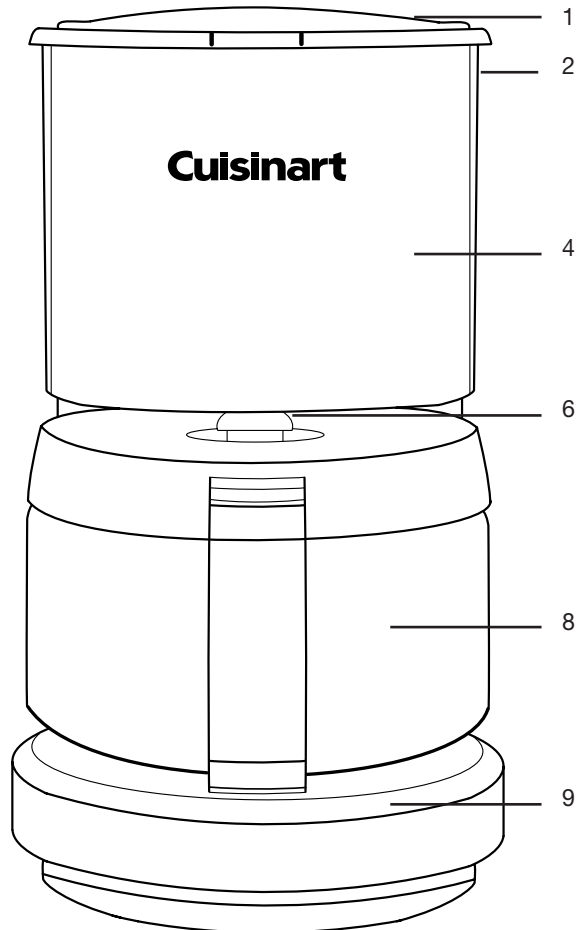
7. On/Off Rocker Switch with On Indicator Light (not shown)

8. Stainless Steel Carafe

The carafe has an ergonomic handle and knuckle guard for safe and easy pouring.

9. Warming Plate

Scratch resistant with black, nonstick coating.



MAKING COFFEE

Before making the first pot of coffee in your new Cuisinart® 4-cup Coffeemaker, we recommend operating the coffeemaker once using only water and a filter paper. This will remove any dust or residues in the system which remain from the manufacturing process.

1. Fill the water reservoir

Remove the carafe from the warming plate. Open the carafe cover and fill with cold water to just over the amount of coffee you are making. Close the carafe cover. Lift the water reservoir lid and pour the water from the carafe into it. Replace the carafe on the warming plate.

2. Add the ground coffee

Remove the filter basket by grasping the handle and lifting straight up, and place it on the counter top. Insert a #2 paper filter or permanent filter. Be sure that the paper filter is completely open and fully inserted into the basket. It may help to fold and flatten the seams of a paper filter beforehand. Add the desired amount of ground coffee, corresponding to the number of cups being brewed. Many coffee bars and the Specialty Coffee Association of America recommend adding 2 rounded tablespoons of coffee per 6 ounces of water. Some coffee manufacturers recommend using one tablespoon per cup. We recommend 1 to 1½ tablespoons of ground coffee per cup, but use more or less to suit your taste.

Replace the filter basket in the filter basket holder and flip the water reservoir lid closed. Be sure that it closes securely in place.

Before brewing coffee

Make sure you have replaced the carafe into its position on the warming plate. Plug the cord into an electrical outlet.

3. Power unit:

Push the rocker switch to on. The indicator will light.

4. During and after brewing

The Brew Pause™ feature allows you to remove the carafe from the warming plate during mid brew. The brewing process does not stop during this period; only the flow of coffee from the basket stops.

Do not remove the carafe for longer than 30 seconds or the coffee may overflow the basket. While we offer this feature, we do not recommend you pour the coffee before the cycle has reached completion, since the coffee brewed at the beginning of the cycle has a flavor profile which is very different from the flavor at the end of the cycle. Removing a cup during the brewing cycle will alter the flavor of the finished pot.

Caution: During and after brewing, hold carafe by handle only. Stainless steel will be hot.

Once the coffee has finished brewing, stir it before serving to blend the flavors. The coffee at the bottom of the carafe will be somewhat stronger than the coffee at the top. After brewing, the warming plate will keep the coffee at about 180-185°F. We recommend transferring the coffee to a thermal carafe preheated with hot water if the coffee is not going to be consumed within 20 minutes.

CLEANING AND MAINTENANCE

COMPLETELY CLEAN AND DRY ALL PARTS AFTER EVERY USE.

Always turn the coffeemaker off and remove the plug from the electrical outlet before cleaning it.

Lift up the reservoir cover. Remove and discard the paper filter and ground coffee. The filter basket can be washed in warm soapy water and rinsed thoroughly, or cleaned in the upper rack of the dishwasher. Dry all parts after use. Do not put any water in the unit once the filter basket has been removed. Wipe the area under the filter basket with a damp cloth. Remove the carafe from the warming plate. Discard any remaining coffee. The carafe and lid should be washed in warm, soapy water and rinsed thoroughly. Do not use any scouring agents or harsh cleansers on any part of the coffeemaker.

Never immerse base unit in water or other liquid. To clean base, simply wipe with a clean, damp cloth and dry before storing. Wipe warming plate with a clean, damp cloth. Never use rough, abrasive materials or cleansers to clean the warming plate. Do not dry the inside of the water reservoir with a cloth, as lint may remain.

DECALCIFICATION

Decalcification refers to removing the calcium deposits that form over time on the metal parts of the coffeemaker.

For best performance from your Cuisinart® coffeemaker, decalcify the base unit from time to time. The frequency depends upon the hardness of your tap water and how often you use the coffeemaker.

To decalcify, fill the water reservoir to capacity with a mixture of 1/3 white vinegar and 2/3 water. Turn the coffeemaker on by pressing the On rocker switch. One cycle should be sufficient to adequately clean the coffeemaker. Turn the coffeemaker off and then run one cycle of fresh cold water through the unit before using the unit again to brew coffee.

WARRANTY LIMITED THREE-YEAR WARRANTY

This warranty supersedes all previous warranties on the Cuisinart® 4-cup Coffeemaker. This warranty is available to consumers only.

You are a consumer if you own a Cuisinart® 4-cup Coffeemaker that was purchased at retail for personal, family or household use. Except as otherwise required under applicable state law, this warranty is not available to retailers or other commercial purchasers or owners. We warrant that your Cuisinart® 4-cup Coffeemaker will be free of defects in material or workmanship under normal home use for three years from the date of original purchase.

We suggest that you complete and return the enclosed product registration card promptly to facilitate verification of the date of original purchase. However, return of the product registration card does not eliminate the need for the consumer to maintain the original proof of purchase in order to obtain the warranty benefits. In the event that you do not have proof of purchase date, the purchase date for purposes of this warranty will be the date of manufacture.

If your coffeemaker should prove to be defective within the warranty period, we will repair it (or, if we think it necessary, replace it) without charge to you. To obtain warranty service, please call our Consumer Service Center toll-free at 800-726-0190 or write to:

Cuisinart
150 Milford Road
East Windsor, NJ 08520

To facilitate the speed and accuracy of your return, please also enclose \$10.00 for shipping and handling of the product (California residents need only supply proof of purchase and should call 1-800-726-0190 for shipping instructions). Please also be sure to include a return address, description of the product defect, product serial number, and any other information pertinent to the product's return. Please pay by check or money order.

Your Cuisinart® coffeemaker has been manufactured to strict specifications and has been designed for use with the Cuisinart® coffeemaker authorized accessories and replacement parts for your model. These warranties expressly exclude any defects or damages caused by accessories, replacement parts or other repair service other than those that have been authorized by Cuisinart.

These warranties exclude all incidental or consequential damages. Some states do not allow the exclusion of or limitation of incidental or consequential damages, so the foregoing limitation or exclusion may not apply to you.

CALIFORNIA RESIDENTS ONLY

California law provides that for In-Warranty Service, California residents have the option of returning a nonconforming product (A) to the store where it was purchased or (B) to another retail store which sells Cuisinart® products of the same type. The retail store shall then, according to its preference, either repair the product, refer the consumer to an independent repair facility, replace the product, or refund the purchase price less the amount directly attributable to the consumer's prior usage of the product. If the above two options do not result in the appropriate relief to the consumer, the consumer may then take the product to an independent repair facility if service or repair can be economically accomplished. Cuisinart and not the consumer will be responsible for the reasonable cost of such service, repair, replacement, or refund for nonconforming products under warranty.

California residents may also, according to their preference, return nonconforming products directly to Cuisinart for repair or, if necessary, replacement by calling our Consumer Service Center toll-free at 800-726-0190. Cuisinart will be responsible for the cost of the repair, replacement, and shipping and handling for such nonconforming products under warranty.

BEFORE RETURNING YOUR CUISINART® PRODUCT

Important: If the nonconforming product is to be serviced by someone other than Cuisinart's Authorized Service Center, please remind the servicer to call our Consumer Service Center to ensure that the problem is properly diagnosed, the product is serviced with the correct parts, and to ensure that the product is still under warranty.

Cuisinart®

SAVOR THE GOOD LIFE®



Coffeemakers



Food Processors



Toaster Ovens



Blenders



Cookware



Ice Cream Makers

Cuisinart offers an extensive assortment of top quality products to make life in the kitchen easier than ever. Try some of our other countertop appliances and cookware, and Savor the Good Life®.

www.cuisinart.com

©2006 Cuisinart
Cuisinart® is a registered
trademark of Cuisinart

150 Milford Road
East Windsor, NJ 08520
Printed in China

06CU26329

U IB-4731A

Version no.: DCC450 IB-4731A

Size: 152mm(W) x 204mm(H)
Total Pages: 8 pages

Material: Cover : 157gsm Matt Artpaper
Inside : 120gsm Gloss Artpaper

Coating: Varnishing in cover page

Color: Cover:4C + 1C (Black)
Inside:1C + 1C (Black)

Date: 08-24-2006

P. O. No. 0608000 (08-00-2006_OP)

Coordinator: Th Lin

Printer: Chung Tai



新成分色製版公司
Classic Graphic Arts Company

Tel: 2357 0071 Fax: 2357 0318

Free Manuals Download Website

<http://myh66.com>

<http://usermanuals.us>

<http://www.somanuals.com>

<http://www.4manuals.cc>

<http://www.manual-lib.com>

<http://www.404manual.com>

<http://www.luxmanual.com>

<http://aubethermostatmanual.com>

Golf course search by state

<http://golfingnear.com>

Email search by domain

<http://emailbydomain.com>

Auto manuals search

<http://auto.somanuals.com>

TV manuals search

<http://tv.somanuals.com>