

Cuisinart®

INSTRUCTION BOOKLET



Traditional Cordless Electric Kettle

RK-17

For your safety and continued enjoyment of this product, always read the instruction book carefully before using.

Download from [Www.Somanuals.com](http://www.Somanuals.com). All Manuals Search And Download.

IMPORTANT SAFEGUARDS

When using an electrical appliance, basic safety precautions should always be taken, including the following:

1. **READ ALL INSTRUCTIONS.**
2. Do not touch hot surfaces. Use handles and knobs.
3. To protect against fire, electric shock and injury to persons **DO NOT IMMERSE CORD, plug or base** unit in water or other liquids.
4. Close supervision is necessary when any appliance is used by or near children.
5. Unplug from outlet when not in use and before cleaning. Allow to cool before putting on or taking off parts, and before cleaning appliance.
6. Do not operate any appliance with a damaged cord or plug, or after the appliance malfunctions or has been damaged in any manner. Return appliance to the nearest Cuisinart® Authorized Service Facility for examination, repair or adjustment.
7. The use of accessory attachments not recommended by Cuisinart may result in fire, electric shock or injury to persons.
8. Do not use outdoors.
9. Do not let power cord hang over edge of table or counter, or touch hot surfaces.
10. Do not place on or near a hot gas or electric burner, or in a heated oven.
11. Always fill the Kettle with water first, then set the appliance onto the power base, and finally plug cord into wall outlet. To disconnect, remove Kettle body from power base, then remove plug from wall outlet.
12. Do not use appliance for other than intended use.
13. Scalding may occur if the lid is removed during the heating cycle.

FOR HOUSEHOLD USE ONLY

SAVE THESE INSTRUCTIONS

SPECIAL CORD SET INSTRUCTIONS

A short power-supply cord is provided to reduce the risks of becoming entangled in or tripping over a longer cord.

Longer extension cords are available and may be used if care is exercised.

If a long extension cord is used, the marked electrical rating of the extension cord should be at least as great as the electrical rating of the appliance. The longer cord should be arranged so that it will not drape over the countertop or tabletop where it can be pulled on by children or tripped over.

NOTICE

This appliance has a polarized plug (one blade is wider than the other). To reduce the risk of electric shock, this plug will fit in a polarized outlet only one way. If the plug does not fit fully in the outlet, reverse the plug. If it still does not fit, contact a qualified electrician. Do not modify the plug in any way.

UNPACKING INSTRUCTIONS

Place your Cuisinart® Traditional Cordless Electric Kettle in its gift box on top of a sturdy surface. Open the gift box and remove the unit and the detachable power base. Remove each from its plastic bag. Discard the strip of paper listing features and picturing the kettle which is wrapped around the bottom of the kettle. Check that all printed materials are removed from the gift box. Save the packing materials for future shipment.

Keep all plastic bags away from children.

CONTENTS

| | |
|--------------------------------|---|
| Important Safeguards | 2 |
| Unpacking Instructions | 2 |
| Introduction | 3 |
| Features and Benefits | 4 |
| Operating Instructions | 5 |
| Helpful Hints | 5 |
| Cleaning and Maintenance | 6 |
| Warranty | 6 |

INTRODUCTION

Your new Cuisinart® Traditional Cordless Electric Kettle combines all of the comforts of the kettle on the stove with the convenience of today's newest technology. The elegant polished stainless steel finish makes it a lovely addition to any table.

The kettle is remarkably simple to operate and maintain because it has been manufactured according to the strictest design and quality specifications. We would, however, suggest that you read the instructional material provided with this product to completely familiarize yourself with its use and care.

ULTIMATE CONVENIENCE

Your Cuisinart® Traditional Cordless Electric Kettle may quickly become one of the most useful and utilized appliances in your kitchen. The kettle makes the simple and common kitchen task of boiling water easier, faster and more energy efficient. Water heats instantly and comes to a boil very quickly — often faster than on the stovetop. Once it reaches a boil, it shuts itself off.

Making Tea with your Traditional Cordless Electric Kettle

The most traditional use for a kettle is making tea. Your Cuisinart® kettle will be a fast, easy and convenient way to make your cup of tea.

Whether using tea bags or loose tea, buy the best you can. The flavor will be only as good as the quality of the tea. Tea tastes best when made in a ceramic pot or cup.

For best results, use your Traditional Cordless Electric Kettle following the operating instructions on page 5, as well as the following tips:

1. Fill kettle with fresh, cold water.
2. Place an infuser with loose tea or tea bag(s) in your ceramic pot or cup.
3. Wait for kettle to click off, and immediately pour the boiling water onto the tea.
4. The tea should be allowed to steep for 3 to 5 minutes. The longer it steeps, the stronger it is. For iced tea, brew tea double-strength (steep twice as long) and pour over ice.
5. Stir and serve as desired.

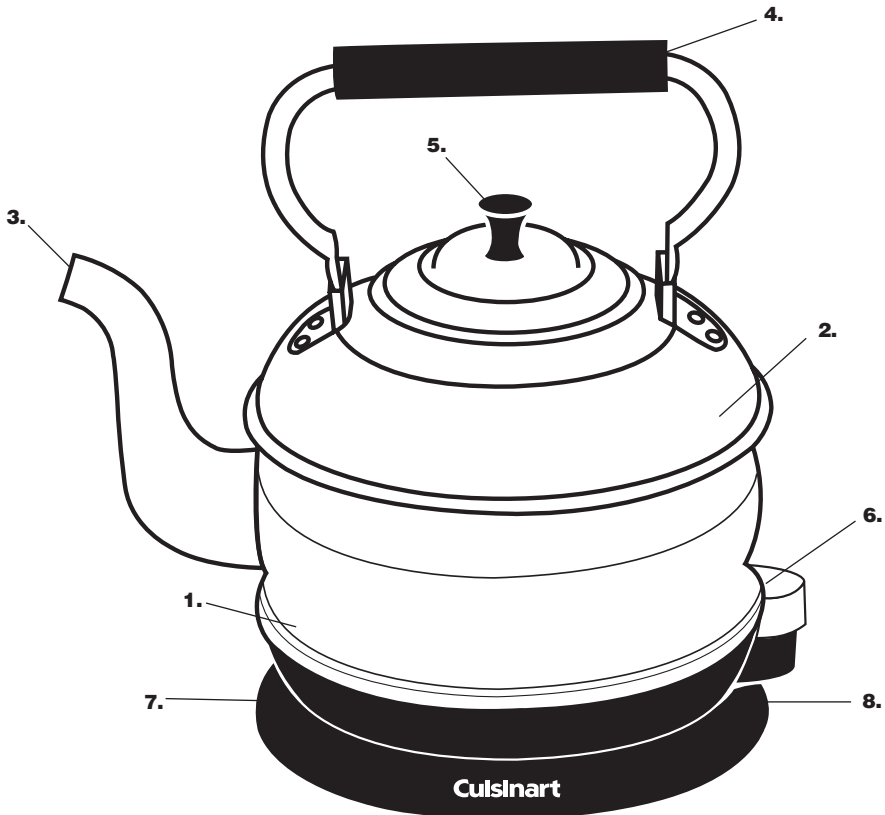
Uses for your Traditional Cordless Electric Kettle

With the Cordless Electric Kettle, you can make all your favorite hot beverages ... and much more!

- Tea
- Instant coffee
- Hot chocolate
- Flavored coffee drinks
- Hot cereal and oatmeal
- Instant soups
- Instant noodles
- Instant rice
- Instant pasta

FEATURES AND BENEFITS

- 1. 18/10 Polished Stainless Steel Construction with 1 $\frac{3}{4}$ Quart (1.7L) Capacity**
- 2. Maximum Fill Mark**
"MAX" located inside the kettle body indicates the maximum amount of cold water to be added.
- 3. Dripless Pour Spout**
With splash guard.
- 4. Stay-Cool Adjustable Handle**
Ergonomically shaped for comfort. Locks into a center upright position for pouring, and folds down to either side to make removing the lid easy.
- 5. Easy Grip Lid**
For quick and easy filling.
- 6. Power "On" Switch with Indicator Light**
Simply depress switch (gently push down until a click is heard) to begin the boiling process. Indicator light illuminates when kettle is on. Kettle shuts off automatically once water has boiled, or when kettle is lifted from power base.
- 7. Power Base**
Supplies power to kettle.
- 8. Cord Wrap (under base)**
Unwind only as much as you need. Provides convenient storage.



OPERATING INSTRUCTIONS

BEFORE USING FOR THE FIRST TIME

Before using your Cuisinart® Traditional Cordless Electric Kettle for the first time, you should operate the kettle 2 or 3 times following the instructions below. This will remove any dust or residue remaining from the manufacturing process.

BOILING WATER

1. Remove the Lid.

Place the kettle with the spout facing away from you. Gently lift off the lid.

2. Fill the Kettle.

Fill the kettle with as much fresh, cold water as you will need. The maximum amount of water to be used is indicated by the MAX fill level in figure 1 below.

3. Close the Lid.

Position kettle with spout facing away from you. Replace lid on kettle.

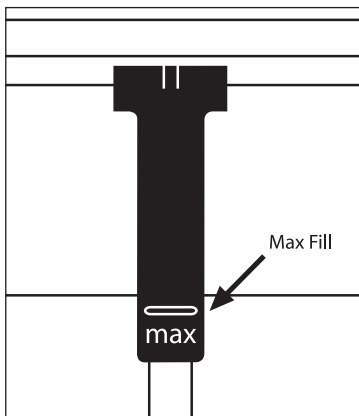


Figure 1

4. Place Kettle on Power Base

Place the kettle on the power base so the element on the bottom of the kettle sits securely on the power base.

5. Power "ON"

Depress the power ON switch by gently pushing down (see Fig. 2) until a click is heard. Switch will light up red. When the water has boiled, the kettle will automatically switch off.

NOTE: The kettle can be switched off at any time before the water boils, simply by lifting the kettle off the base.

6. Pour and Serve.

Pour water out slowly. Return kettle to base after pouring. If you wish to reboil the water, you must depress the power "ON" button again.

HELPFUL HINTS

Always use fresh, cold water for each boiling.

If the kettle is accidentally switched on without a sufficient water level, a boil-dry mechanism will automatically switch the kettle off.

Empty kettle after each use. Do not leave water standing in the kettle.

NOTE: For your safety, it is recommended that the lid be placed securely on the kettle whenever kettle is in use.

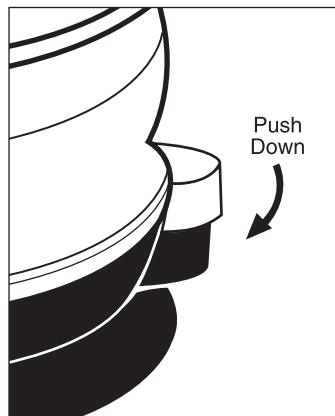


Figure 2

FILTER

This kettle has a removable screen inside to prevent particles of mineral build up from entering your cup. The screen slides out for easy rinsing in the sink.

CLEANING AND MAINTENANCE

CAUTION: Always disconnect the kettle from electrical outlet before cleaning.

Before cleaning, be sure the kettle is cold.

Clean the exterior surface of the kettle with a clean, damp cloth to preserve its original highly polished finish. Dry and polish with a soft cloth.

Do not use abrasive cleansers or scouring agents of any kind on the interior or exterior of the kettle.

Do not immerse the kettle or power base in water or other liquid, and be sure that the electric kettle socket is kept dry.

DECALCIFICATION

Decalcification refers to removing the calcium deposits which may form in the interior metal parts of the kettle.

To get the best performance from your Cuisinart® kettle, decalcify your unit from time to time. Frequency depends on the hardness of your tap water and how often you use the kettle.

We suggest use of a kettle descaler in order to dissolve these chalky deposits or scale. Follow the directions on the descaler package. If a commercial descaler is not available, fill the kettle with enough white vinegar to cover the bottom by about 1/2". Bring the vinegar to a boil. You may need to repeat this several times with cooled vinegar to remove the calcium buildup completely. When the descaling process is complete, empty the kettle and rinse out several times with clean water.

WARRANTY

LIMITED THREE-YEAR WARRANTY

This warranty supersedes all previous warranties on the Cuisinart® Traditional Cordless Electric Kettle.

This warranty is available to consumers only. You are a consumer if you own a Cuisinart® Traditional Cordless Electric Kettle that was purchased at retail for personal, family or household use. Except as otherwise required under applicable state law, this warranty is not available to retailers or other commercial purchasers or owners.

We warrant that your Cuisinart® Traditional Cordless Electric Kettle will be free of defects in material or workmanship under normal home use for three years from the date of original purchase.

We suggest that you complete and return the enclosed product registration card promptly to facilitate verification of the date of original purchase. However, return of the product registration is not a condition of these warranties.

If your Cuisinart® Traditional Cordless Electric Kettle should prove to be defective within the warranty period, we will repair it, or if we think necessary, replace it. To obtain warranty service, please call our Consumer Service Center toll-free at 1-800-726-0190 or write to:

Cuisinart
150 Milford Road
East Windsor, NJ 08520

To facilitate the speed and accuracy of your return, please also enclose \$10.00 for shipping and handling of the product (California residents need only supply proof of purchase and should call 1-800-726-0190 for shipping instructions). Please also be sure to include a return address, description of the product defect, product serial number, and any other information pertinent to the product's return. Please pay by check or money order.

NOTE: For added protection and secure handling of any Cuisinart® product that is being returned, we recommend you use a traceable, insured delivery service. Cuisinart cannot be held responsible for in-transit damage or for packages that are not delivered to us. Lost and/or damaged products are not covered under warranty.

Your Cuisinart® Traditional Cordless Electric Kettle has been manufactured to strict specifications and has been designed for use with the Cuisinart® Traditional Cordless Electric Kettle accessories and replacement parts. These warranties expressly exclude any defects or damages caused by accessories, replacement parts or repair service other than those that have been authorized by Cuisinart.

These warranties do not cover any damage caused by accident, misuse, shipment or other than ordinary household use.

These warranties exclude all incidental or consequential damages. Some states do not allow the exclusion of or limitation of incidental or consequential damages, so the foregoing limitation may not apply to you.

CALIFORNIA RESIDENTS ONLY

California law provides that for In-Warranty Service, California residents have the option of returning a nonconforming product (A) to the store where it was purchased or (B) to another retail store which sells Cuisinart® products of the same type. The retail store shall then, according to its preference, either repair the product, refer the consumer to an independent repair facility, replace the product, or refund the purchase price less the amount directly attributable to the consumer's prior usage of the product. If either of the above two options does not result in the appropriate relief to the consumer, the consumer may then take the product to an independent repair facility if service or repair can be economically accomplished. Cuisinart and not the consumer will be responsible for the reasonable cost of such service, repair, replacement, or refund for nonconforming products under warranty.

California residents may also, according to their preference, return nonconforming products directly to Cuisinart for repair or, if necessary, replacement by calling our Consumer Service Center toll-free at 800-726-0190. Cuisinart will be responsible for the cost of the repair, replacement, and shipping and handling for such nonconforming products under warranty.

BEFORE RETURNING YOUR CUISINART® PRODUCT

Important: If the nonconforming product is to be serviced by someone other than Cuisinart's Authorized Service Center, please remind the servicer to call our Consumer Service Center to ensure that the problem is properly diagnosed, the product serviced with the correct parts, and to ensure that the product is still under warranty.

Cuisinart®

SAVOR THE GOOD LIFE®



Coffeemakers



Food Processors



Toasters



Rice Cookers



Cookware



Grills

Cuisinart offers an extensive assortment of top quality products to make life in the kitchen easier than ever. Try some of our other countertop appliances and cookware, and Savor the Good Life®.

www.cuisinart.com

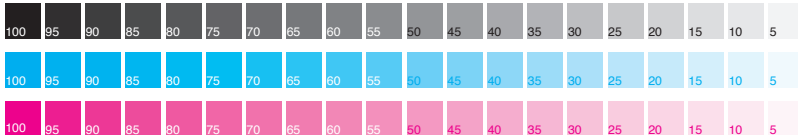
©2005 Cuisinart
Cuisinart® is a registered
trademark of Cuisinart

150 Milford Road
East Windsor, NJ 08520
Printed in China

05CU26356

F IB-6228

Version no: RK17 IB-6228 COVER
 Size: 152mm(W) x 203mm(H) New
 Material: 157GSM MATT ARTPAPER
 Coating: VARNISHING
 Color: 4C + 1C(BLACK)
 Date: 08/12/2005

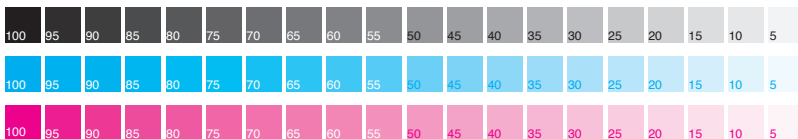


宝发柯式印刷有限公司

Tel: 0769-7720314 Fax: 0769-7720324
 0769-7686328
 E-MAIL: pofat.k.w.cheng@96326.com



Version no: RK17 IB-6228 INSIDE
 Size: 152mm(W) x 203mm(H) New
 Material: 120GSM GLOSS ARTPAPER
 Coating:
 Color: 1C + 1C(BLACK)
 Date: 08/12/2005



宝发柯式印刷有限公司

Tel: 0769-7720314 Fax: 0769-7720324
 0769-7686328
 E-MAIL: pofat.k.w.cheng@96326.com



Free Manuals Download Website

<http://myh66.com>

<http://usermanuals.us>

<http://www.somanuals.com>

<http://www.4manuals.cc>

<http://www.manual-lib.com>

<http://www.404manual.com>

<http://www.luxmanual.com>

<http://aubethermostatmanual.com>

Golf course search by state

<http://golfingnear.com>

Email search by domain

<http://emailbydomain.com>

Auto manuals search

<http://auto.somanuals.com>

TV manuals search

<http://tv.somanuals.com>