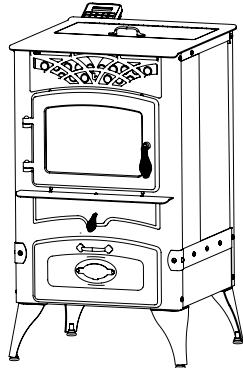




MULTI FUEL PARLOR STOVE



OPERATOR'S MANUAL Installation and Operation

MF3700, MF3800

CumberlandStoveWorks.com

CAUTION



SAVE THESE INSTRUCTIONS

- Important operating and maintenance instructions included.
- Read, understand and follow these instructions for safe installation and operation.
- Leave this manual with party responsible for use and operation.



WARNING



Please read this entire manual before installation and use of this pellet fuel-burning room heater. Failure to follow these instructions could result in property damage, bodily injury or even death.

- Do not store or use gasoline or other flammable vapors and liquids in the vicinity of this or any other appliance.
- Do not overfire - If any external part starts to glow, you are overfiring. Reduce feed rate. Overfiring will void the warranty.
- Comply with all minimum clearances to combustibles as specified. Failure to comply may cause a house fire.

WARNING



HOT! DO NOT TOUCH. SEVERE BURNS MAY RESULT. CLOTHING IGNITION MAY RESULT.



Glass and other surfaces are hot during operation and cool down.

- Keep children away.
- CAREFULLY SUPERVISE children in same room as appliance.
- Alert children and adults to hazards of high temperatures.
- DO NOT operate with protective barriers open or removed.
- Keep clothing, furniture, draperies and other combustibles away.

CAUTION

Tested and approved for shelled field corn, approved pellets and cherry pits. Burning of any other type of fuel voids the warranty.

CAUTION

Check building codes prior to installation.

- Installation MUST comply with local, regional, state and national codes and regulations.
- Consult local building or fire officials about restrictions and installation inspection requirements in your area.



OMMF3700/3800
Rev. Date 06/09/08
© 2008 Ardisam, Inc.
All Rights Reserved. Printed in USA.



TABLE OF CONTENTS

WARRANTY	2
REGISTRATION, SERVICE & MAINTENANCE LOG.....	3
WARNINGS & CAUTIONS.....	4
Automatic Safety Features	5
INTRODUCTION	6
Burning Solid Fuels.....	6
SPECIFICATIONS.....	8
UNPACKING & ASSEMBLY	9
CONTROLLER OPTIONS.....	10
INSTALLATION	11
Stove Placement.....	11
Floor Protection Requirements.....	11
Clearance to Combustibles.....	12
VENTING.....	13
Type of Vent	13
Pellet Vent Installation	13
Vent Termination Clearances	14
Venting Installation Examples.....	14
Installing RemoteThermostat.....	14
Outside Air Connection.....	15
Mobile Home.....	15
OPERATING INSTRUCTIONS	15
Understanding the TRI-X Controller	15
Operating Stove.....	16
Fuel Range Selection	17
Starting Fire and Electric Ignite Screens	17
Thermostat control options	18
Explanation of Fault Message Screens	18
NORMAL CARE & MAINTENANCE.....	21
TROUBLESHOOTING & REPAIR.....	22
Ordering Replacement Parts.....	22
Troubleshooting Guide	23
PARTS.....	24
WIRING DIAGRAM	29



WARRANTY

LIMITED LIFETIME WARRANTY

Ardisam, Inc., a Manufacturing Company warrants this Cumberland Stove Works Multi-Fuel Parlor Stove to be free from defects in the material or workmanship. For the lifetime of the product, Ardisam will furnish 100% parts and labor to correct any defect caused by faulty material or workmanship. For other warranty repairs, please read the three year warranty listed below. **All repairs made under warranty must have prior approval from Ardisam, Inc. by calling our customer service department at 800-345-6007.**

THREE YEAR WARRANTY

All electrical components such as but not limited to blowers, wiring, vacuum switches, speed controls, control boxes, switches, pilot assembly, valves, thermostats and igniters are covered under Ardisam, Inc.'s three-year warranty program. Our fire pots and labor are also covered under the three year warranty.

THIS WARRANTY IS LIMITED TO DEFECTIVE PARTS – REPAIR AND/OR REPLACEMENT AT ARDISAM, INC.'S OPTION AND EXCLUDES ANY INCIDENTAL AND CONSEQUENTIAL DAMAGES CONNECTED THEREWITH.

This warranty is not transferable and supersedes all other warranties either expressed or implied and all other obligations to liabilities on our part. Ardisam, Inc. does not assume, and does not authorize any other person to assume for us, any liability in connection with the sale of our products. The warranty applies only to products which have not been subjected to negligent use, misuse, alteration, accident or repairs made by anyone not certified by Cumberland Stove Works. This guarantee is void unless the warranty card is properly filled out and returned to Ardisam, Inc., Cumberland, WI, at the time of purchase.



Cumberland Stove Works, A Division of Ardisam, Inc.
1360 First Avenue; P.O. Box 666
Cumberland, Wisconsin 54829
800-345-6007 · Fax (715) 822-2223
E-mail: info@ardisam.com



REGISTRATION, SERVICE AND MAINTENANCE LOG

Record the model number and serial number in the space provided for easy reference. Fill out and mail the registration card located in the parts packet or register online at www.cumberlandstoveworks.com. Warranty is valid only if the completed registration is received by Ardisam, Inc. within 30 days of purchase.

OWNERSHIP RECORDS		
Dealer's Name:		
Dealer's Address:		
City:	State/Province:	Zip Code/Postal Code:
Model Number:	Serial Number:	
Date of Purchase:		
Notes:		

SERVICE DATE	SERVICE TECHNICIAN	SERVICE DESCRIPTION

Download from Www.Somanuals.com. All Manuals Search And Download.

WARNINGS AND CAUTIONS

WARNING

INDICATES A HAZARD WHICH, IF NOT AVOIDED, COULD RESULT IN DEATH OR SERIOUS INJURY AND/OR PROPERTY DAMAGE.

- Read this entire manual before you install and use your new parlor stove. Failure to follow instructions may result in property damage, bodily injury, or even death.
- Children and adults should be alerted to the hazards of high surface temperatures and should stay away to avoid contact to skin and/or clothing.
- Young children should be carefully supervised when they are in the same room as the stove.
- Clothing and other flammable materials should not be placed on or near this unit.
- Flammable or explosive liquids such as gasoline, naphtha, alcohol, or engine oil must **NEVER** be used in or around stove. These liquids must be stored in a separate room as the open flame in the fire box could ignite the fumes of such liquids.
- DO NOT** burn garbage in this unit. The burning of other solid fuels such as cord wood or wood chips in this stove is not permitted. Any fuels not certified by Cumberland Stove Works which are burned in this stove will void the warranty.
- DO NOT** route power cord in high traffic areas. A power surge protector plugged into a grounded 110 volt power source is required.
- DO NOT** install a flue damper in the exhaust venting system of this unit.
- DO NOT** connect this unit to a chimney flue servicing another appliance.
- DO NOT** install in a sleeping room.
- DO NOT** connect to any air distribution duct or system.
- DO NOT** connect directly to a masonry chimney.
- DO NOT** terminate vent in any enclosed or semi-enclosed area, such as; carports, garage, attic, crawl space, under a sun deck or porch, narrow walkway or closed area, or any location that can build up a concentration of fumes such as a stairwell, covered breezeway etc.

CAUTION

INDICATES A HAZARD WHICH, IF NOT AVOIDED, MIGHT RESULT IN MINOR OR MODERATE INJURY AND PROPERTY DAMAGE.

- Proper installation of this stove is necessary for safe and efficient operation. Installing this product improperly may result in a house fire and personal injury. All applicable building codes for your location must be followed. In areas where building codes require additional steps to the installation of this product not included in this manual, the building codes will take precedent and must be followed. Contact your local building inspector to obtain any necessary permits or inspection guidelines before installing the product.
- Contact local building or fire officials about restrictions and installation inspection requirements in your area.
- Contact your local authority (such as municipal building department, fire department, fire prevention bureau, etc.) to determine the need for a permit.
- The Cumberland Stove Works parlor stove is designed to burn dry shelled field corn, wood pellets, and cherry pits.
- A working smoke detector is required and must be installed in the same room as the stove.
- This stove is not intended for use in commercial applications.
- Door and ash pan must be closed and latched during operation.
- Notify your insurance company of parlor stove installation.
- This installation must conform with local codes. In the absence of local codes you must comply with ASTM E1509, (UM) 84-HUD, ULC/ORDC-1482.
- The structural integrity of the manufactured home floor, wall, and ceiling/roof must be maintained.
- Keep combustible materials (such as grass, leaves, etc.) at least 3 feet away from the flue outlet on the outside of the building.
- This stove should not be used as the only source of heat in the house. Power outages and periodic maintenance will result in a total loss of heat.
- Do not leave hopper door open while unattended.

⚠ CAUTION

- Installation and repair of this parlor stove should be done by a qualified service person. The appliance should be inspected before use and at least annually by a qualified service person. It is imperative that control compartments, fire box, and circulating air passageways of the stove be kept clean.
- The operation of exhaust fans such as bathroom fans, attic fans, etc. might starve the parlor stove of combustible air creating a negative pressure in the room. Provide adequate ventilation of the room accompanying the parlor stove. If not, the pressure switch may shut off operation of the parlor stove.
- The moving parts of this stove are propelled by high torque electric motors. These parts can cause severe damage to body parts that get near them. Keep all body parts away from auger and fans while the stove is plugged into an electrical outlet. These moving parts may begin to move at any time the stove is plugged in.
- If the electrical power fails any time when the stove is hot, keep all stove doors closed.
- Vent surfaces can get hot enough to cause burns if touched. Noncombustible shielding or guards may be required.
- Install vent at clearances specified by the vent manufacturer.
- All venting joints, whether vertical or horizontal, should be made gas-tight with recommended sealants specified by vent manufacturer.
- According to HUD (Housing & Urban Development) requirements, when installed in a mobile home, this stove must be grounded directly to the steel chassis of the mobile home and bolted to the floor. Direct air access must be provided, use a Fresh Air Kit.
- For use in the United States. Approved for installation in mobile homes.
- Cumberland Stove Works, manufacturer of this appliance, reserves the right to alter its products, specifications and/or price without notice.

⚠ WARNING

IF THE ELECTRICAL POWER FAILS ANY TIME WHEN THE STOVE IS HOT, KEEP ALL STOVE DOORS CLOSED.

THE AUTOMATIC SAFETY FEATURES MUST NOT BE BYPASSED.

WHEN RESETTING OVERTEMP NEVER USE ANY CONDUCTORS. COULD CAUSE ELECTRICAL SHOCK AND/OR DAMAGE TO STOVE.

AUTOMATIC SAFETY FEATURES

POWER OUTAGE

During a power outage, the stove will shutdown safely. It will not automatically restart when the power returns. If the stove is still at operating temperature when power returns, the convection fan will circulate the remaining heat in the stove. See Lighting Instructions.

OVERHEATING

Over Fire Protection: If the stove is being over fired or burning too hot, the high limit switches will automatically shut down the stove to avoid damage to components. Allow the stove to cool at least one hour before relighting. The exhaust over temp is located in the rear of the stove (figure 1), the auger over temp is located on the auger housing (figure 2). Both are reset by manually pressing in the button located between the wire terminals.

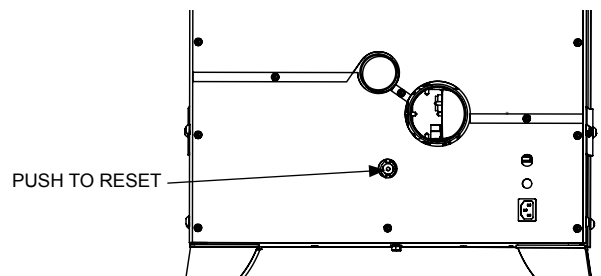


Figure 1: Overtemp Reset Button in Back Panel

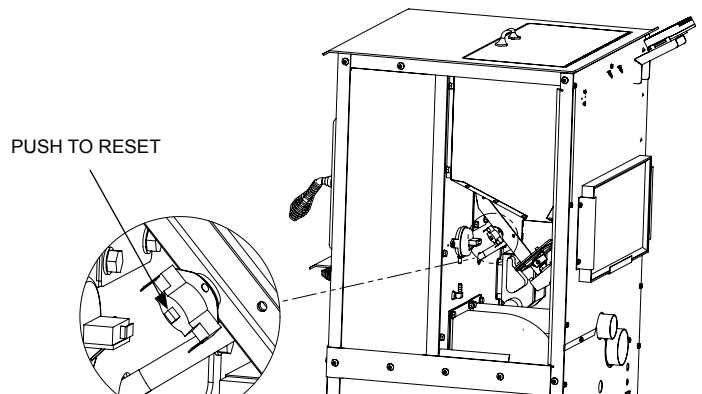


Figure 2: Overtemp Reset Button on auger housing

INTRODUCTION

Congratulations on your investment in quality. Thank you for purchasing a Cumberland Stove Works Multi Fuel Parlor Stove from Ardisam, Inc. We have worked to ensure that the multi fuel burning stove meets the highest standards for usability and durability. With proper care, your stove will provide many years of service. Please read this entire manual before installation and use.

BURNING SOLID FUELS

Ashes need to be removed from the stove periodically. See Normal Care & Maintenance section for cleaning procedure.

The parlor stove, due to the nature of solid fuels, will require brief periodic attention. A few moments of adjustment and cleaning from time to time is an important part of burning solid fuels.

This parlor stove has been designed to burn dry shelled corn, wood pellets and cherry pits.

SHELLED CORN

- **Corn must contain less than 14% moisture content.** Wet corn will rapidly deteriorate stove components, reduce efficiency and void all warranties. Purchase a moisture tester if in doubt.
- Corn must be clean and free from debris. Never burn corn right from the field. Damage caused by dirty corn is not covered by the product warranty. **Ask for screened corn only.** Stalk parts, excessive fines and cob remnants will clog the air flow holes in burn plate. Check the corn for foreign objects.
- Store the corn supply in a dry place and keep the bags or container sealed to prevent it from absorbing excess moisture. Test the moisture content periodically to ensure the proper dryness.
- There are many varieties of corn. Each variety has unique characteristics including the shape and size of the kernel. As corn characteristics change, the fuel range may have to change accordingly. See figure 3.

WARNING

NEVER BURN SEED CORN IN THE STOVE. SEED CORN IS TREATED WITH CHEMICAL PESTICIDES THAT ARE HARMFUL OR FATAL IF SWALLOWED, SEED CORN IS DANGEROUS TO HAVE IN THE HOUSE, ESPECIALLY WHERE CHILDREN CAN REACH IT.

NEVER BURN "DEER CORN". IT FREQUENTLY CONTAINS MOLASSES SUGARS.

NEVER BURN CORN WITH A HIGH WAX CONTENT.

DO NOT STORE ITEMS SUCH AS START PELLETS OR BURN GEL IN PARLOR STOVE OR WITHIN INSTALLED CLEARANCES OF PARLOR STOVE.

CAUTION

BURNING ONLY CORN WITH THE RECOMMENDED MOISTURE CONTENT WILL ASSURE LONGER STOVE LIFE AND LESS FREQUENT CLEANING.

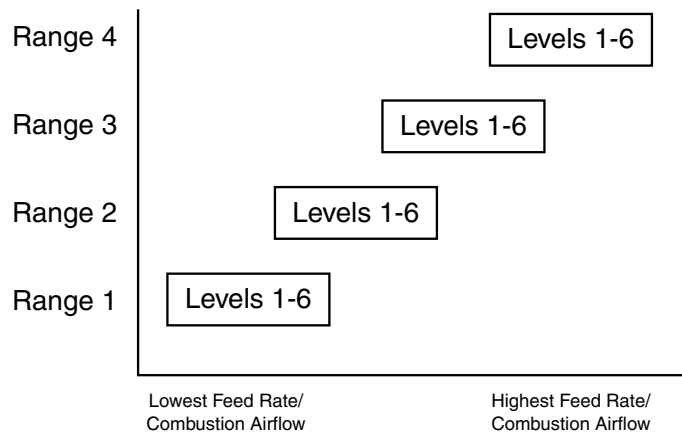


Figure 3: Feed Rate Chart

PELLETS

- As with corn, find a consistent pellet supplier. Pellets will vary in content and burn characteristics from supplier to supplier. A consistent supply of pellets will result in a more consistent and efficient burn.
- Before burning, check the pellets for foreign objects. The stove warranty will not cover damage done to the stove due to foreign objects in the fuel supply.
- Store the pellets in a dry place to prevent them from absorbing added moisture.
- To decrease dust buildup, the hopper will need to be vacuumed out after every 6-8 bags of pellets or more often if the pellets are poor quality. You may have to screen each bag of pellets if dust becomes a problem.
- **Wood pellets** are generally produced out of wood waste such as sawdust and shavings. The raw material is dried, mechanically fractioned to size and extruded under intense pressure into pellets. Wood pellets need to be protected from direct water penetration. If exposed to water droplets from condensation they will gradually decompose and lose their effectiveness as a fuel. The decomposition involves expanded volume and over time a gradual chemical breakdown.
- **Cherry Pits** are the woody remains of processed cherries. This fuel can be found affordably in regions of the country that process cherries.

CAUTION

BURNING WOOD PELLETS ACCORDING TO RECOMMENDATIONS WILL ASSURE LONGER STOVE LIFE AND LESS FREQUENT CLEANING.

THE USE OF GRATES OR OTHER METHODS OF SUPPORTING THE FUEL IS NOT AUTHORIZED IN THIS PARLOR STOVE.

SPECIFICATIONS

Model Number	MF3700, MF3800
BTU/hour input (1)	45,000 max
Heating Capacity (2)	1,200 Sq. Ft.
Electrical Rating (3)	110 Volts, 15 Amp, 60 Hz
Power Consumption	Controller = 2.0 Watts Stove = 200 Watts
Fuel Storage Capacity	62 lbs.
Flue Size (4)	3 in.
Width	22 in.
Height	40 in.
Depth	22 in.
Weight	287 lbs.

(1) Heat output will vary, depending on the brand, type and quality of fuel and the moisture content. Consult your dealer for best results.

(2) Based on post 1982 home construction, requiring 35 BTU/Hr. per Sq. Ft.

(3) Install per NFPA 70 and follow all state and local codes, contact licensed electrical contractor for assistance.

(4) Install per NFPA 211 and follow all state and local codes, contact licensed installers for assistance.

Listing label:



Tested to the following standards: UL1482, ASTM E1509, ULC/ORD-C1482-M1990

GLASS SPECIFICATIONS

This stove is equipped with 5mm ceramic glass. Replace

CAUTION

THIS INSTALLATION MUST CONFORM WITH LOCAL CODES. IN THE ABSENCE OF LOCAL CODES YOU MUST COMPLY WITH ASTM E1509, (UM) 84-HUD, ULC/ORD-C-1482.

CUMBERLAND STOVE WORKS, MANUFACTURER OF THIS APPLIANCE, RESERVES THE RIGHT TO ALTER ITS PRODUCTS, THEIR SPECIFICATIONS AND/OR PRICE WITHOUT NOTICE.

UNPACKING AND ASSEMBLY

Unpack all hardware located in the units hopper and ash pan. The following should be included:

- 4 - legs (710008) w/ levelers (725010)
- 4 - tie-down straps (700136)
- 1 - firepot cleaning rod (700076)
- 1 - cleaning rod spring (720053)
- 1 - hopper lid handle (730006)
- 1 - power cord (720045)
- 1 - scraper tool (700225)
- 1 - door (700311) with glass (720002) and handle (700351, 700359)
- 1 - controller (730053)
- 1 - steel mounting bracket (700349)
- 1 - pre-made parts bag (small) which includes:
 - 4 - 1/4-20 x 2" tie-down bolts (725015)
 - 2 - 8-32 x 3/8" hopper lid handle bolts (725012)
 - 12 - 5/16-18 x 3/4" leg bolts (1501)
 - 4 - #8-18 controller bracket screws (725027)

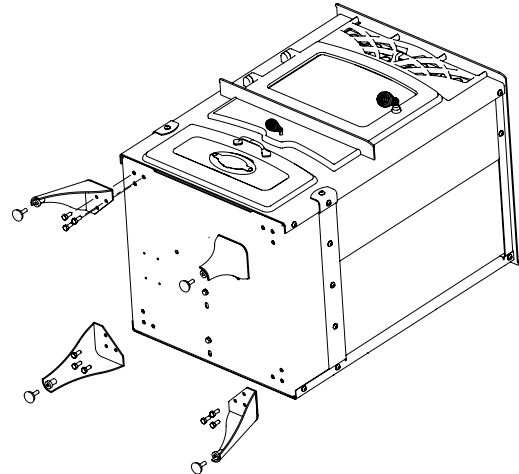


Figure 4: Leg Assembly

MOUNT LEGS

NOTE: Stove is heavy. Team lifting is recommended.

1. Gently tilt the stove on its side.
2. Assemble the legs using provided (12) leg bolts as shown in figure 4.

NOTE for MOBILE HOME INSTALLATION: If unit is to be used in a mobile home, you must install the (4) tie-down straps to the stove now. Refer to page 15 for instructions.

3. After all bolts have been tightened, set the stove back up on its legs.

MOUNT HANDLE TO HOPPER DOOR

1. Using a Phillips screwdriver, attach hopper handle to hopper door using the pre-drilled holes. See figure 5.

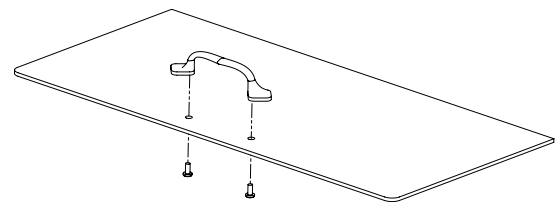


Figure 5: Hopper Door Handle Assembly

ASSEMBLE FIREPOT CLEANING ROD

1. Thread spring over non-threaded end of rod.
2. Place threaded end of firepot cleaning rod through decorative casting and screw into fire pot. See figure 6.

NOTE: It is important for the fire pot to slide freely in and out of the pot holder. Fire pot must seal tight when pushed in.

PLUG IN POWER CORD

1. Plug power cord into the back of stove. See figure 7.

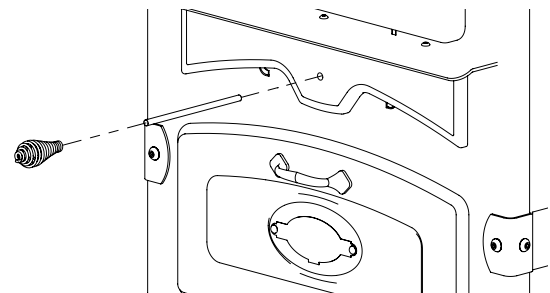


Figure 6: Ash Shuttle Rod Assembly

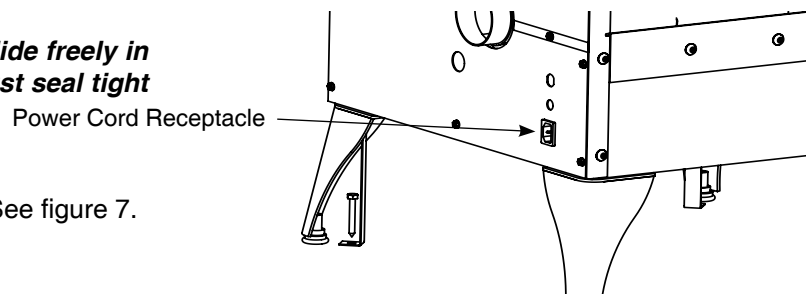


Figure 7: Power Cord Receptacle

MOUNTING THE CONTROLLER

The CSW MF Series Stove has three different controller mounting options:

1. Back of the stove with controller visible. You may mount the controller on either side of the rear of the stove (see figure 8) so it is visible during operation. To do so use the metal mounting bracket and the (4) self-tapping screws ((2) through the plastic bracket and (2) through the back panel of the stove). Attach through the pre-drilled holes.

Note: Self-tapping screws must penetrate hopper.

2. Back of the stove with controller hidden. You may mount the controller on either side of the stove (see figure 9). So it is not visible during operation. Attach the plastic mounting bracket to the pre-drilled holes on either side of the stove using the (2) self-tapping screws.

Note: Self-tapping screws must penetrate hopper.

3. Wall mounted (figure 10). You may mount the controller on the wall next to the unit using two drywall screws. It is best to embed the screws into a stud. Use a stud finder to locate studs in the wall.

PLUG STOVE INTO CONTROLLER

After mounting the controller plug the phone cord from the back of the stove to the underside of the controller.

MOUNT DOOR

Take off protective cardboard. Hang door on hinges making sure it's seated properly so latch is aligned with latch cut-out.

LATCH ADJUSTMENT

The door gasket may settle after use and adjustment to latch is necessary to ensure proper seal. To adjust latch remove roll pin and swap washers from the inside of door to the outside of the door. Replace roll pin and inspect door fit.

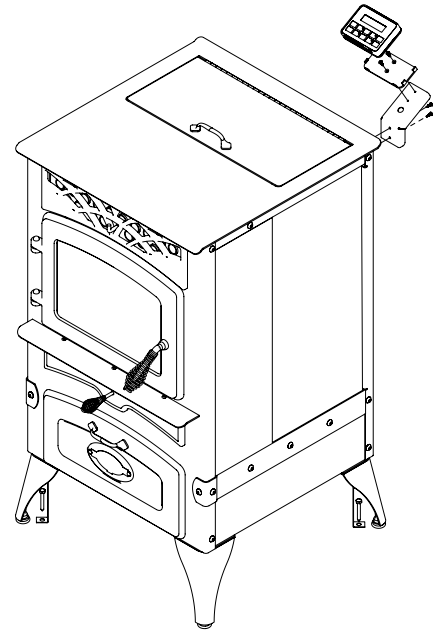


Figure 8: Controller on metal bracket in back.

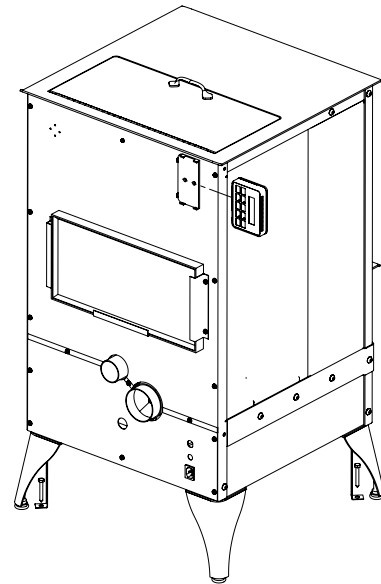


Figure 9: Controller on plastic bracket in back.

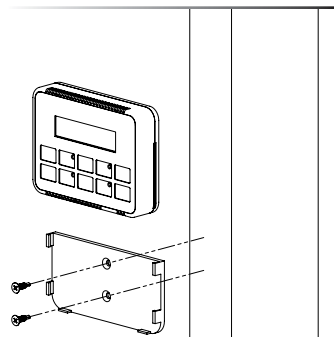


Figure 10: Controller on wall.

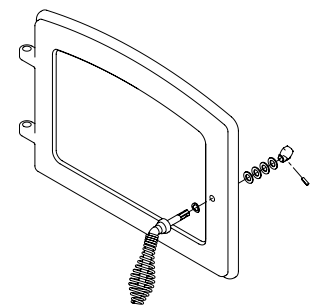


Figure 11: Door Latch Adjustment.

INSTALLATION

It is recommended the stove be installed and serviced by authorized professionals who are certified by the National Fireplace Institute (NFI) as NFI Pellet Specialists.

Proper installation of this stove is necessary for safe and efficient operation. Installing this product improperly may result in a house fire and personal injury. All applicable building codes for your location must be followed. In areas where building codes require additional steps to the installation of this product not included in this manual, the building codes will take precedent and must be followed. Contact your local building inspector to obtain any necessary permits or inspection guidelines before installing the product.

STOVE PLACEMENT

Sketch out a plan for installing the stove including dimensions before permanent placement. When determining the location for the stove, wall stud location is critical. You may need to adjust the location of the stove to avoid trying to vent through a wall stud. Before placing the parlor stove, connect the vent and allow for minimum clearance to combustible walls.

FLOOR PROTECTION REQUIREMENTS

The stove must be installed on a noncombustible floor, with proper floor protection, or on a masonry hearth. The hearth or noncombustible floor protector must extend a minimum of 6" in front, and 4" from each side. When a clean out t-vent is installed in the inside of a home, the floor protector must extend 2" beyond rear of t-vent. See figure 12. When stove is vented straight through the wall and the clean out t-vent is on the exterior of the home, the minimum clearance is 3" from the back of the stove to the edge of floor protector. See figure 13. The minimum floor protector material is 24 GA. sheet metal.

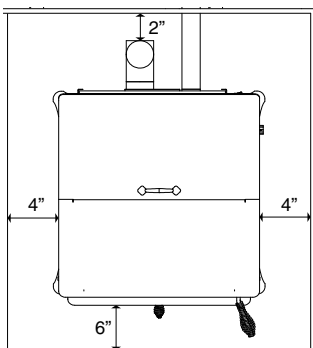


Figure 12

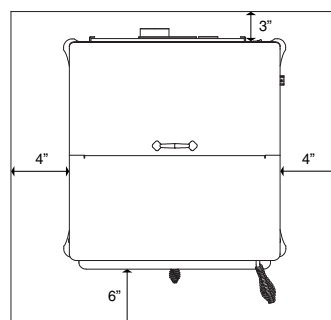


Figure 13

PARLOR STOVE FLOOR PAD CLEARANCES

WARNING

READ THIS ENTIRE MANUAL BEFORE YOU INSTALL AND USE THIS STOVE. FAILURE TO FOLLOW THE INSTRUCTIONS MAY RESULT IN PROPERTY DAMAGE, BODILY INJURY, OR EVEN DEATH.

DO NOT INSTALL A FLUE DAMPER IN THE EXHAUST VENTING SYSTEM OF THIS UNIT.

DO NOT CONNECT THIS UNIT TO A CHIMNEY FLUE SERVING ANOTHER APPLIANCE.

CHILDREN AND ADULTS SHOULD BE ALERTED TO THE HAZARDS OF HIGH SURFACE TEMPERATURES AND SHOULD STAY AWAY TO AVOID BUMPS TO SKIN AND/OR CLOTHING.

YOUNG CHILDREN SHOULD BE CAREFULLY SUPERVISED WHEN THEY ARE IN THE SAME ROOM AS THE STOVE.

CLOTHING AND OTHER FLAMMABLE MATERIALS SHOULD NOT BE PLACED ON OR NEAR THIS UNIT.

CAUTION

THIS STOVE SHOULD NOT BE USED AS THE ONLY SOURCE OF HEAT IN THE HOUSE. POWER OUTAGES AND PERIODIC MAINTENANCE WILL RESULT IN A TOTAL LOSS OF HEAT.

CONTACT LOCAL BUILDING OR FIRE OFFICIALS ABOUT RESTRICTIONS AND INSTALLATION INSPECTION REQUIREMENTS IN YOUR AREA.

CONTACT YOUR LOCAL AUTHORITY (SUCH AS MUNICIPAL BUILDING DEPARTMENT, FIRE DEPARTMENT, FIRE PREVENTION BUREAU, ETC.) TO DETERMINE THE NEED FOR A PERMIT.

KEEP COMBUSTIBLE MATERIALS (SUCH AS GRASS, LEAVES, ETC.) AT LEAST 3 FEET AWAY FROM THE FLUE OUTLET ON THE OUTSIDE OF THE BUILDING.

INSTALLATION AND REPAIR OF THIS PARLOR STOVE SHOULD BE DONE BY A QUALIFIED SERVICE PERSON. THE APPLIANCE SHOULD BE INSPECTED BEFORE USE AND AT LEAST ANNUALLY BY A QUALIFIED SERVICE PERSON. IT IS IMPERATIVE THAT CONTROL COMPARTMENTS, FIRE BOX, AND CIRCULATING AIR PASSAGEWAYS OF THE STOVE BE KEPT CLEAN.

CLEARANCES TO COMBUSTIBLES

NOTE: These are minimum clearances to combustible walls established by the ASTM testing lab.

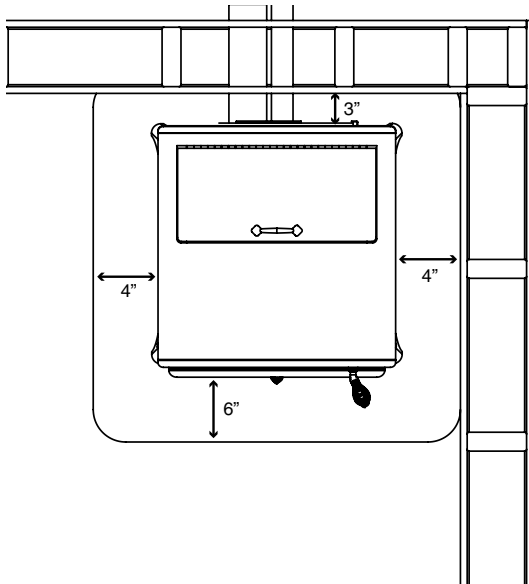


Figure 14
**STRAIGHT INSTALLATION
THROUGH WALL**

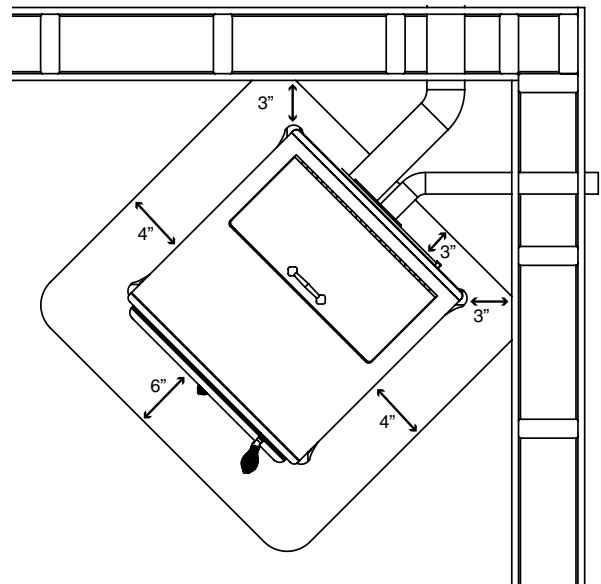


Figure 15
**CORNER INSTALLATION
THROUGH THE WALL VENTS**

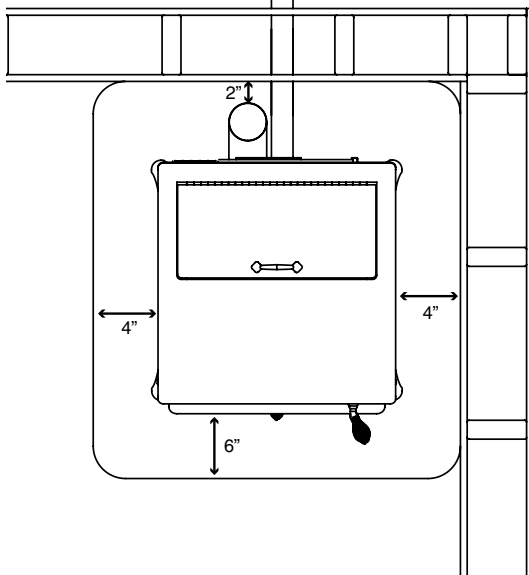


Figure 16
**STRAIGHT INSTALLATION
INTERIOR VERTICAL VENTS**

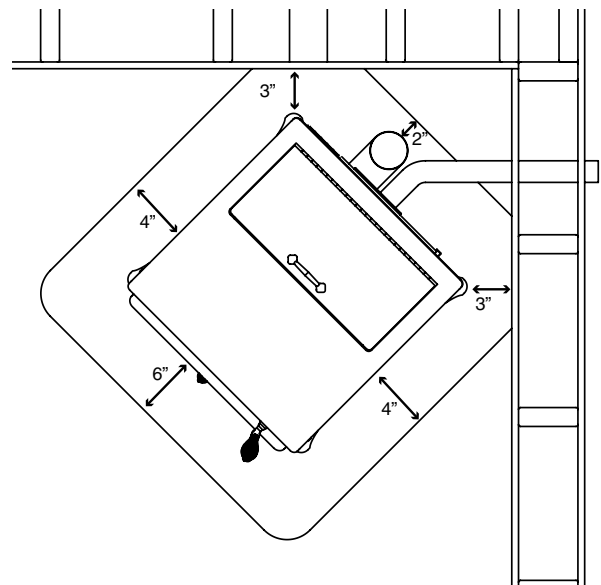


Figure 17
**CORNER INSTALLATION
INTERIOR VERTICAL VENTS**

NOTE: When interior vertical pellet vent is used for installation, the clearance to the back wall is determined by the vent size used. Install vent at clearance specified by the vent manufacturer. Take into consideration any upward turning elbows or T's.



VENTING

Consult vent manufacturer's specifications and recommendations for all venting installations.

The following installation guidelines must be followed to ensure conformity with both the safety listing of this stove and to local building codes.

NOTE: *Where passage through a wall, or partition of combustible construction is desired, the installation shall conform to CAN/CSA -8365.*

TYPE OF VENT

Pellet venting pipe (also known as L vent) is constructed of two layers with air space between the layers. This air space acts as an insulator and reduces outside surface temperature of pipe to allow a clearance to combustibles.

A UL listed 3" or 4" type L pellet vent exhaust system must be used for installation and attached to the pipe connector provided on the back of the stove. Use a 3" to 4" adapter for 4" pipe. A cap must be used at the termination of type L vent chimneys. For elevations above 2,500 feet above sea level, a 4" L is required.

PELLET VENT INSTALLATION

Termination **MUST** exhaust above air inlet elevation.

It is recommended to install at least 3' of vertical pellet vent pipe. This will create some natural draft to prevent the possibility of smoke or odor during appliance shutdown and to keep exhaust from causing a nuisance or hazard from exposing people or shrubs to high temperatures.

The installation must include a clean out tee to enable collection of fly ash and to permit periodic cleaning of the exhaust system.

Total length of horizontal vent must not exceed 10 feet. The maximum recommended vertical venting height is 18 feet. All joints for pellet vent are required to be fastened with at least three screws and all pellet vent connections must be sealed according to the vent manufacturer's recommendations.

The area where the vent pipe goes through to the exterior of the home must be sealed with silicone or other means to maintain the vapor barrier between the exterior and the interior of the home.

WARNING

DO NOT CONNECT THIS UNIT TO A CHIMNEY FLUE SERVING ANOTHER APPLIANCE.

DO NOT INSTALL A FLUE DAMPER IN THE EXHAUST VENTING SYSTEM OF THIS UNIT.

DO NOT CONNECT DIRECTLY TO A MASONRY CHIMNEY.

DO NOT TERMINATE VENT IN ANY ENCLOSED OR SEMI-ENCLOSED AREA, SUCH AS; CARPORTS, GARAGE, ATTIC, CRAWL SPACE, UNDER A SUN DECK OR PORCH, NARROW WALKWAY OR CLOSED AREA, OR ANY LOCATION THAT CAN BUILD UP A CONCENTRATION OF FUMES SUCH AS A STAIRWELL, COVERED BREEZEWAY ETC.

CAUTION

VENT SURFACES CAN GET HOT ENOUGH TO CAUSE BURNS IF TOUCHED. NONCOMBUSTIBLE SHIELDING OR GUARDS MAY BE REQUIRED.

PELLET VENT MUST MAINTAIN MINIMUM CLEARANCES SPECIFIED BY VENT MANUFACTURER FOR CLEARANCE TO ANY COMBUSTIBLES.

INSTALL VENT AT CLEARANCES SPECIFIED BY THE VENT MANUFACTURER.

ALL VENTING, WHETHER VERTICAL OR HORIZONTAL, JOINTS SHOULD BE MADE GAS-TIGHT WITH RECOMMENDED SEALANTS.

VENT TERMINATION CLEARANCES

CLEARANCE	
4 feet	Clearance below or beside any door or window that opens.
1 foot	Clearance above any door or window that opens.
3 feet	Clearance from any adjacent building.
7 feet	Clearance from any grade when adjacent to public walkways.
2 feet	Clearance above any grass, plants, or other combustible materials.
3 feet	Clearance from any forced air intake of any appliance.
2 feet	Clearance below eaves or overhang.
1 foot	Clearance horizontally from combustible wall.
3 feet	Clearance above the roof.
2 feet	Clearance above the highest point on the roof within 10 feet.

INSTALLING REMOTE THERMOSTAT

The MF Parlor Stove can be run thermostatically by purchasing any millivolt thermostat (sold separately). This step is optional and not required for MF Parlor Stove to operate.

Mount thermostat according to manufacturer specifications. Using a small flat head screw driver, tighten remote thermostat wires into pins 7 and 8. See figure 18.

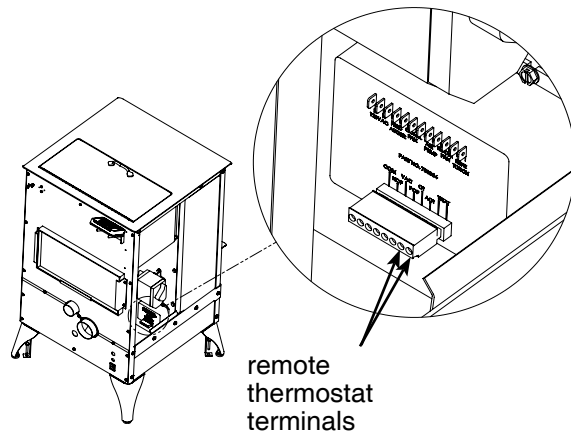


Figure 18: Remote Thermostat Terminals

VENTING INSTALLATION EXAMPLES

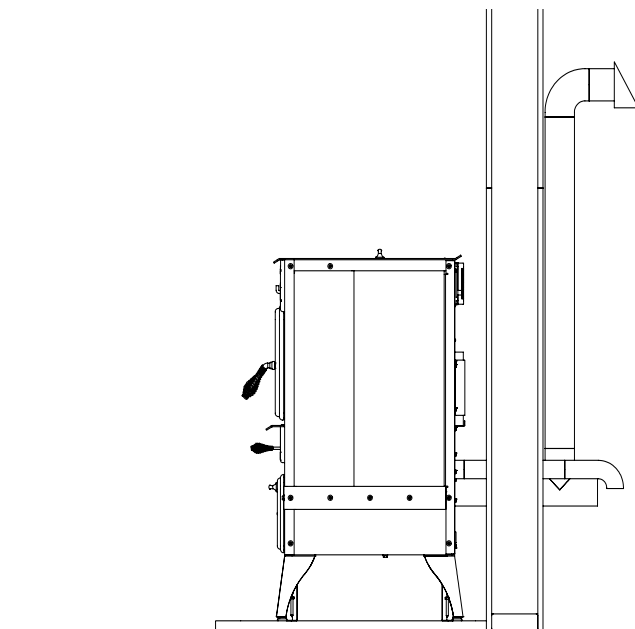


Figure 19: STRAIGHT INSTALLATION
 Outside Vertical Rise, Through Wall Installation

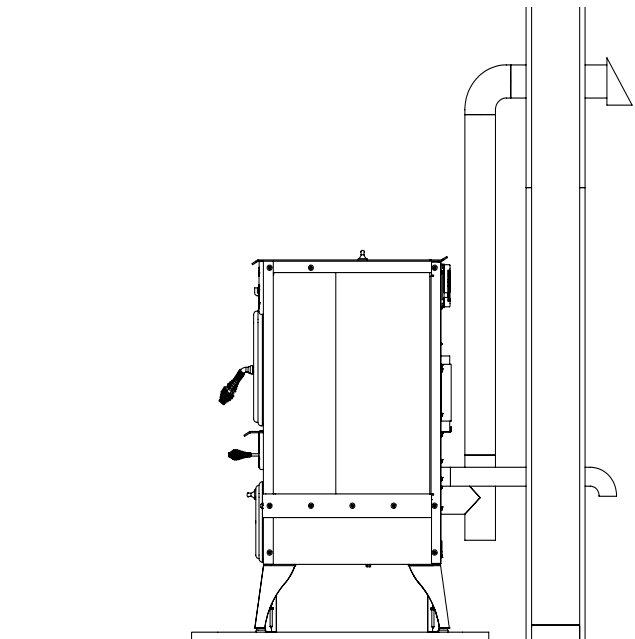


Figure 20: STRAIGHT INSTALLATION
 Inside Vertical Rise, Horizontal Termination

OUTSIDE AIR CONNECTION

Connection from the intake pipe (2" diameter pipe in rear of stove) to the outside of the house is **REQUIRED** for mobile home installation. It is recommended in tightly sealed homes with exhaust fans such as kitchen or bathroom fans. This will eliminate poor performance due to negative pressure.

Only noncombustible pipe 2" (or greater) in diameter is approved to use for outside air connections (straight or flexible). **PVC pipe is NOT approved and should NEVER be connected to the stove.**

If the air inlet is connected to the outside, it **MUST** be terminated with a vertical 90° bend (down) or with a wind hood. Failure to do so could result in a burn back during high winds blowing directly up the air inlet during a simultaneous power failure.

Blockage, excessive length, or extra bends in the air intake pipe will starve the stove of combustion air. A 90° bend is equivalent in restriction to approximately 30" of straight inlet pipe.

MOBILE HOME

Installation in a mobile home should be in accordance with the manufactured home and safety standard. Department of Housing and Urban Development (HUD) CITE: 24CFR3280.707 stating this stove must be vented to the outside. In addition to the standard installation instructions, the following requirements are mandatory for installation in a mobile home:

1. Stove must be bolted to the floor. Stove will have four tie-down straps that bolt to the feet and the floor.
2. Stove must have an outside air source.
3. Stove must be electrically grounded to the steel chassis of the mobile home.
4. All vertical chimney vents must have wall supports.
5. All exhaust systems must have a spark arrester.

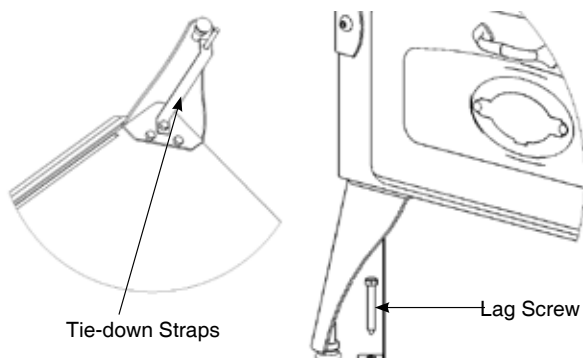


Figure 21: Mobile Home Anchor & Leg Assembly

WARNING

DO NOT CONNECT TO ANY AIR DISTRIBUTION DUCT OR SYSTEM.

DO NOT INSTALL IN A SLEEPING ROOM.

CAUTION

THE OPERATION OF EXHAUST FANS SUCH AS BATHROOM FANS, ATTIC FANS, ETC. MIGHT STARVE THE PARLOR STOVE OF COMBUSTIBLE AIR CREATING A NEGATIVE PRESSURE IN THE ROOM. PROVIDE ADEQUATE VENTILATION IN THE ROOM ACCOMPANYING THE PARLOR STOVE. IF NOT, THE PRESSURE SWITCH MAY SHUT OFF OPERATION OF THE PARLOR STOVE.

THE STRUCTURAL INTEGRITY OF THE MANUFACTURED HOME FLOOR, WALL, AND CEILING/ROOF MUST BE MAINTAINED.

UNDERSTANDING THE TRI-X CONTROLLER

1 - On - Starts stove operation when instructed.

2 - Off - Turns off stove operation at anytime

Note: Off Button will not instantly extinguish fire

3 & 4 - Temp Up, Temp Down

Controls heat levels 1-6 and local thermostat temperature.

5 & 6 - Fan Up, Fan Down

Controls level of convection fan (the fan that circulates warm air through the room).

7 - Add Fuel

Pressing the Add Fuel Button will turn on the feed auger. A L.E.D. light on the top right corner will be on when the auger is running. Pressing this button once will turn the auger on for one minute. If the button is pressed within the minute, the auger will then turn off.

8 - Thermostat On/Off

Push to scroll through thermostat options; local, remote, or none.

9 - Scroll

Allows user to change heat ranges. Allows user to browse heat ranges. MF3800 users have the option of running the igniter during normal operation.

10 - Enter - Chooses the top selection of the screen

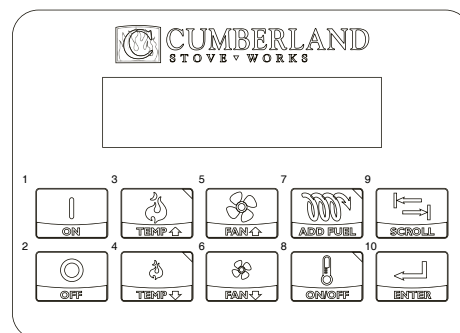


Figure 22: Controller key pad.

OPERATING STOVE

Once the stove has been properly installed and plugged into a grounded surge protector you are ready to begin operation.

IMPORTANT: Before filling the hopper make sure all shipping and packaging items are removed from the hopper and there are no obstructions in the auger housing opening.

Fill the hopper with an approved solid fuel and close the lid.

The first screen you will see upon power up is the model and version of software loaded in the control. It will then default to the Fuel Range Selection Mode.

FUEL RANGE SELECTION

The CSW Multi Fuel Parlor stove has four fuel ranges and six heat output Levels within each fuel range. This gives the stove 24 levels of variability maximizing burn with your chosen fuel. Range 1 Level 1 is the lowest feed rate/combustion airflow and Range 4 Level 6 is the highest feed rate/combustion airflow. See figure 23.

RANGES FOR APPROVED FUELS

- Corn 1-2
- Wood Pellets 2-3-4
- Cherry Pits 4

SELECTING THE RANGE

The control will offer two selections on the screen. To browse through the range selections use the SCROLL button. To choose a range scroll through until the desired Range is on top and press ENTER. Range may be changed at anytime during stove operation by pressing the SCROLL

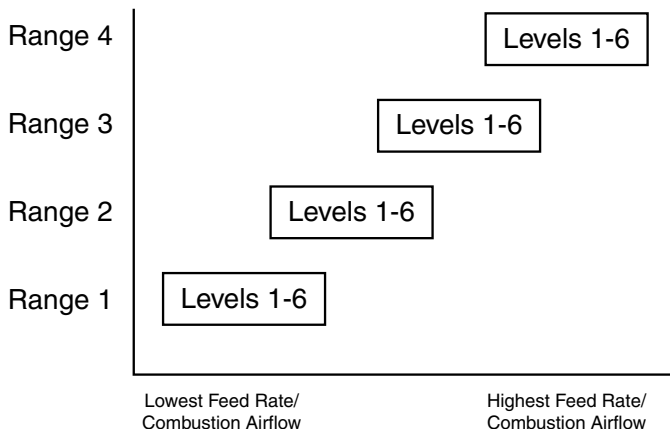


Figure 23: Feed rate chart.

WARNING

NEVER PUT STARTING PELLETS OR BURN GEL INTO THE HOPPER OF THE STOVE. THIS COULD RESULT IN DEATH OR SERIOUS INJURY AND OR PROPERTY DAMAGE. DOING SO WILL VOID ALL WARRANTIES.

button.

STARTING A FIRE

After the Range has been loaded the controller will then instruct you to light the fire. MF3700 stove controllers will read as follows:

**LIGHT FIRE
PUSH ON BUTTON**

Stoves equipped with electric ignition (model MF3800) will have the option of starting the fire manually or automatically with the igniter. The screen will read as follows:

**ELECTRIC IGNITE
NO ← YES ←**

Pushing SCROLL will send the controller to the **LIGHT FIRE PUSH ON BUTTON**. See Manual Lighting Instructions before starting fire or pushing ON. For electric ignition read **ELECTRIC IGNITION INSTRUCTIONS** before pressing ENTER.

MANUAL LIGHTING INSTRUCTIONS

IMPORTANT: Before lighting the stove for the first time, make sure that no shipping items have been left inside the firebox or ash pan.

When initially filling an empty hopper you must prime the feed auger. To prime the auger press the ADD FUEL button. This will turn on your auger on for one minute or until the ADD FUEL button is pressed again. Run feed auger until you see fuel start to drop into the firepot.

Note: The parlor stove has been designed with a safety switch on the hopper lid. The auger will not run with the hopper door open.

Fill the firepot with about one cup of starting pellets or wood pellets. If wood pellets are used, squirt about two tablespoons of burn gel on pellets.

Light the material in firepot using a match or a grill type

lighter, close the door and press ON key. The sound you hear after the ON key is pushed is the exhaust fan running. After the ON key is pressed the control will read as follows:

**STARTING FIRE
LEVEL 1**

ELECTRIC IGNITION INSTRUCTIONS

(MF3800 only)

After the Range has been loaded the controller will then read as follows

**ELECTRIC IGNITE
NO ↔ YES ←**

IMPORTANT: Before lighting the stove for the first time, make sure that no shipping items have been left inside the firebox or ash pan.

When initially filling an empty hopper you must prime the feed auger. To prime the auger press the ADD FUEL button. This will turn the auger on for one minute or until the ADD FUEL button is pressed again. Run the feed auger until you see fuel start to drop into the firepot.

Note: The parlor stove has been designed with a safety switch on the hopper lid. The auger will not run with the hopper door open.

Once the auger is primed pressing ENTER will start the electronic ignition sequence. Note: Pre loading the firepot isn't necessary for electric ignition; the program is designed to automatically load the firepot. The noises you will hear during electric ignition are the combustion fan and air pump running. The screen will read as follows:

**ELECTRIC IGNITE
LEVEL 1**

**STARTING FIRE AND ELECTRIC IGNITE
SCREENS**

(MF3800 only)

The starting fire and electric ignition sequences have been designed to take a cold stove up to normal operating temperature. These are preset feed rates and fans speeds set by CSW to ensure the ignition of multiple types of fuels.

During starting fire and electric ignition sequences you may change the level by pressing the TEMP UP or TEMP DOWN buttons.

During starting fire and electric ignition sequences you may choose to run your stove thermostatically by pressing the THERMOSTAT ON/OFF button. See Thermostatic Control Operation.

At any time you may add more fuel to the firepot by pressing the ADD FUEL button. Note: the feed auger will stay on for one minute or until the ADD FUEL button is pressed again.

During starting fire and electric ignition sequences the convection fan (the fan that circulates warm air throughout room) will start once stove has reached 110 degrees. To control convection fan speed use Fan Up and Fan Down buttons (Buttons 3 and 8 in Figure 22). Note: Hot stoves need air circulating through them at all times to prevent overheating the electronic controls. Therefore, once proof of fire is made the convection fan will continue to run.

After the stove runs it's starting fire or electric ignition sequences the controller will read **RANGE 1-4** (will display chosen fuel range) **LEVEL 1-6** (will display chosen heat output level). This is the normal operating screens for the MF series parlor stove.

NORMAL OPERATION

During normal manual operation of the stove the controller will read as follows:

**TEMP 72
RANGE 1-4 LEVEL 1-6**

At any time during normal operation you will be able to change the Fuel Range by pressing the SCROLL button.

(MF 3800 only) At any time during normal operation you will be able to run the igniter by pressing the SCROLL button during the normal operating

At anytime during normal operation you may change the heat level by pressing the TEMP UP or TEMP DOWN buttons. Note: if the stove is being controlled by the local thermostat the TEMP UP and TEMP DOWN buttons control the thermostat setpoint. If the stove is being controlled by the remote thermostat the TEMP UP or TEMP DOWN buttons have no effect on the heat output.

At anytime during normal operation you may turn on or off the thermostatic control by pressing the THERMOSTAT ON/OFF button.

THERMOSTATIC CONTROL OPERATION

The stove has been designed to be run thermostatically two different ways. There is a built-in thermostat in the controller, or a remote thermostat can be installed (see INSTALLING REMOTE THERMOSTAT page 14).

LOCAL T-STAT – The local thermostat is the thermostat located inside the controller display. To use this mode press the thermostat button until the following screen is displayed:

LOCAL TSTAT

The L.E.D. light located in the top right corner of the t-stat button will illuminate. During normal local thermostat operation the screen will display (for example) the following:

STPT 72 TEMP 65
RANGE 3 LEVEL 4

During local thermostat operation the TEMP UP and TEMP DOWN buttons control the thermostat setpoint.

REMOTE T-STAT – Remote T-STAT mode is chosen by pressing the T-STAT button until the following screen is displayed:

REMOTE TSTAT

During this thermostat mode the stove is controlled by a thermostat that is placed far from the stove. If the stove is in this mode the screen will display (for example) the following:

REMOTE * TEMP 72
RANGE 3 LEVEL 4

NOTE: The asterick indicates that the thermostat is calling for heat.

To turn off the thermostat mode press the thermostat button until the following screen is displayed:



WARNING

NEVER SHUT DOWN YOUR STOVE BY LEAVING THE HOPPER DOOR OPEN AND UNATTENDED. THIS COULD CREATE AN UNSAFE CONDITION IF THE DWELLING IS UNDER NEGATIVE PRESSURE.

TSTAT OFF

This will return the stove to manual operation where the heat level is controlled by using the Temp Up and Temp Down buttons.

At anytime during normal operation you may press the OFF button to safely shut down the stove. **IMPORTANT: NEVER UNPLUG YOUR STOVE WHILE THERE IS FUEL BURNING IN THE STOVE.** The stove is designed to exhaust smoke through the vacuum created by the combustion fan. Doing so will cause combustion fan to stop and smoke will enter the room through air intake holes.

EXPLANATION OF FAULT MESSAGE SCREENS

OVERTEMP RESET SWITCH

Allow the stove to cool then reset the overtemp switch located in the back of the unit under the exhaust vent. See figure 1.

AUGER OVERTEMP RESET SWITCH

Allow the stove to cool then reset the overtemp switch located on the auger housing. See figure 2.

Note: An overtemp switch will not reset until the stove has cooled to an acceptable level. To reset the switch you must manually press in the button located on the switch. See figures 1 & 2 for switch locations. In the event of an overtemp you must either select a lower fuel range for your selected fuel or clean the stove. Cleaning the stove is necessary to maximize heat transfer from the stove to the room.

NO PROOF OF FIRE PUSH ON TO START

This means the stove went through the starting fire or electric ignition sequences and did not heat up enough to satisfy the proof of fire switch. Press ON button and restart the fire. Note: There may be fuel burning in the stove while it shows this screen. Use extreme caution when manually relighting a hot stove.

VACUUM FAULT CHECK SEALS

This means that the stove doesn't have enough vacuum in the firebox to run safely. Check that the fire box door is closed and that the seal is in good working condition. Check the ash pan door to make sure that the ash pan is firmly seated and that the seal is in good working condition. To clear this fault screen press the OFF button. If all doors are closed and sealed properly and the problem persists please call your dealer or CSW customer service for advanced trouble shooting.

LOSS OF FIRE OFF TO RESET

This means that the stove has cooled to a point where it is no longer heating the room. Make sure that the hopper has fuel and that there are no obstructions that prevent fuel from entering the firepot. Pressing the off button will send the program to the STARTING FIRE (MF3700) or ELECTRIC IGNITE (MF3800) screen. Pressing the SCROLL button will send the program to the FUEL RANGE screen.

STOVE SHUTDOWN

To shut down stove operation press the OFF button at anytime. This will cause the stove to stop feeding fuel into the firepot, yet the combustion blower will continue to run exhausting all smoke until stove is off. When the stove runs out of fuel it will safely shut down automatically.

IMPORTANT: NEVER UNPLUG YOUR STOVE WHILE THERE IS FUEL BURNING IN THE STOVE.

Doing so will cause combustion blower to stop and smoke will enter the room through air intake holes.

NORMAL CARE & MAINTENANCE

CLEANING THE GLASS

Only clean glass when the glass is cool. Wipe the glass clean with a dry or damp rag. If this does not clean the glass use any non-abrasive liquid spray.

REMOVAL OF BROKEN CERAMIC GLASS

Open the door and lift it from the hinges. Lay the door down on newspaper with glass clips facing you. Loosen the screws and take off the glass clips. Remove the broken glass carefully and discard.

Reverse the above procedure for replacing new glass with new gasket.

FIRE POT REMAINS

Every time the hopper is filled with fuel the firepot should be emptied. To empty the firepot pull out and push in on the firepot cleaning rod. See figure 25. **THE FIREPOT MUST BE PUSHED ALL THE WAY BACK AND SEATED AGAINST THE POTHOLDER FOR THE STOVE TO FUNCTION CORRECTLY.**

SOOT AND FLY ASH

The products of combustion will contain small particles of fly ash. The fly ash and soot will collect in the exhaust venting system and restrict the flow of flue gasses. The exhaust venting system should be inspected at least once per month to determine if cleaning is necessary. If cleaning is necessary disassemble the exhaust vent and clean the individual parts.

DISPOSAL OF ASHES

Ashes should be placed in a metal container with a tight fitting lid. The closed container of ashes should be placed on a noncombustible floor or on the ground, well away from all combustible materials, pending final disposal.

EXHAUST AND CONVECTION AIR FILTER

Clean air filter (730008) regularly, replace if needed. See figure 24.

DAILY MAINTENANCE

The surfaces on the stove may be hot. Always wear protective gloves even when the stove is cool to the touch.

- Clean the glass only when it is cool to the touch using any non-abrasive cleaner.
- After one hopper of fuel is consumed, the fire pot cleaning rod should be cycled (pulled out and pushed in) to drop the ashes into the ash pan.

AIR FILTER

Replace air filter annually. Replacement filters can be ordered through your stove dealer.

CAUTION

DO NOT OPERATE STOVE WITH BROKEN GLASS.
DO NOT SLAM THE DOOR SHUT.
DO NOT STRIKE GLASS.
DO NOT USE ABRASIVE CLEANERS.
DO NOT CLEAN HOT GLASS.
REPLACE CERAMIC GLASS WITH FACTORY AUTHORIZED REPLACEMENT PARTS ONLY.
THE CLINKER WILL REMAIN HOT FOR SEVERAL MINUTES AFTER IT IS PULLED OUT OF THE FIRE POT.

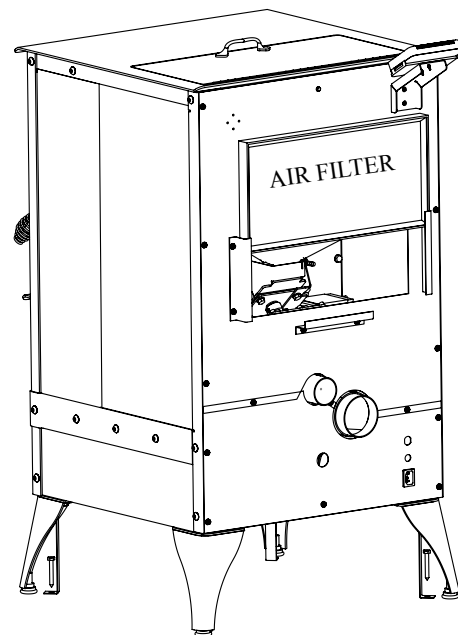


Figure 24: Air filter placement.

- Complete the daily maintenance by checking the seal on the doors. Look for pellets that may have been left behind during loading. Check that each of the door seals are flush with the stove and sealing properly.

WEEKLY MAINTENANCE

- The fire pot and the area around it are cleaned using the special tool provided with the stove and the ash cleaning vacuum. It is important to remove any unburned pellets that may have fallen behind the burn pot.
- To clean the fire pot with the cleaning tool, remove the fire pot by unscrewing the firepot cleaning rod from the fire pot. Remove the rod and the firepot. Remove the fire plate by lifting it out of pot holder (Figure 28). Brush all of the ash from beneath the fireplate into the ash pan.
- Remove the ash pan and dump the ash into a metal container.
- Cleaning of the exhaust system will depend upon the ash and debris content of your fuel. If your fuel has a high ash content and/or significant debris in it, the exhaust system will require weekly cleaning. Cleaner fuels will allow for monthly cleaning of the exhaust system. Clean out tees in the exhaust system make this task much easier.

NOTE: A clean unit burns efficiently and will remain trouble free!

MONTHLY MAINTENANCE

- Remove the top baffle inside the firebox and clean the fly ash and soot on all exposed parts using a steel brush and ash cleaning vacuum. The use of a shop-vac is not recommended. Talk to any authorized dealer for information about the ash cleaning vacuum.

SEASONAL CLEANING

Once every year you must clean out all of the fuel in the hopper, firebox area, ash pan and fire pot area. Corn and pellets can accumulate moisture over the summer months causing the unit to rust and the fuel to mold.

It is recommended that prior to shutting down the unit in the spring it is run on the high setting for about six hours to help clean out the heat exchanger system, venting system and fire box area.

WARNING

WHEN PERFORMING ANY INTERNAL ELECTRICAL MAINTENANCE.

- MOVING PARTS INSIDE OF THE CABINET MAY CAUSE INJURY. DO NOT OPERATE UNIT WITH PANELS REMOVED OR OPEN.
- HOT PARTS. DO NOT OPERATE THE UNIT WITH PANEL OPEN.
- RISK OF ELECTRIC SHOCK. DISCONNECT POWER BEFORE SERVICING UNIT.
- IN THE EVENT OF COMPONENT FAILURE, REPLACE WITH THE ORIGINAL FACTORY EQUIPMENT.

CAUTION

THIS IS A MINIMUM REQUIREMENT FOR SOOT AND FLY ASH REMOVAL. ASHES SHOULD BE PLACED IN A METAL CONTAINER WITH A TIGHT FITTING LID. THE CONTAINER SHOULD BE PLACED ON A NON-COMBUSTIBLE FLOOR, WELL AWAY FROM COMBUSTIBLE MATERIALS, PENDING FINAL DISPOSAL. IF ASHES ARE DISPOSED OF BY BURIAL IN SOIL OR OTHERWISE LOCALLY DISPERSED, THEY SHOULD BE RETAINED IN THE CLOSED CONTAINER UNTIL ALL CINDERS ARE NO LONGER WARM.

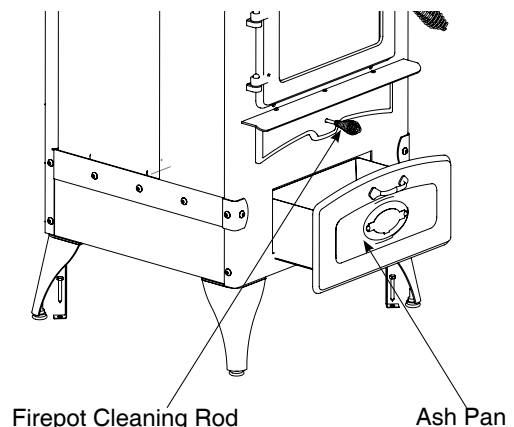


Figure 25: Ash pan and firepot cleaning rod.

When the unit is cleaned out, empty the hopper, take the venting apart and clean out the fly ash, rinse and let dry. Inspect the draft blower and clean out all areas. Clean the glass, doors and outer cabinet so that you are ready for the next heating season. Use of an ash vacuum makes cleaning easier and faster.

TROUBLESHOOTING & REPAIR

At Ardisam, we build quality and durability into the design of our products; but no amount of careful design by us, and careful maintenance by you, can guarantee a repair-free life for your stove. Most repairs will be minor, and easily fixed by following the suggestions in the troubleshooting guide in this section.

The guide will help you pinpoint the causes of common problems and identify remedies.

For more complicated repairs, you may want to rely on your retailer, an authorized service center or Ardisam, Inc. A parts catalog is included in this section.

We will always be glad to answer any questions you have, or help you find suitable assistance. To order parts or inquire about warranty, call or write us at the address found below, under the section ordering repair parts.

ORDERING REPLACEMENT PARTS

Parts can be obtained from the store where the stove was purchased or direct from the factory. To order from the factory- call, write or e-mail to:

Ardisam, Inc.
1360 First Avenue, Cumberland, Wisconsin 54829
1-800-345-6007 • 1-715-822-2415
E-mail: info@ardisam.com

Please include the following information with your order:

1. Part numbers
2. Part description
3. Quantity
4. Model number and serial number

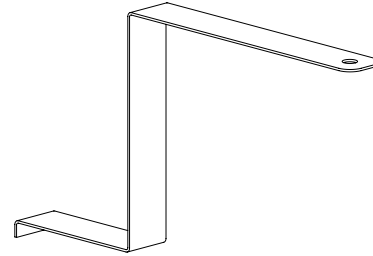


Figure 26: Cleaning tool.

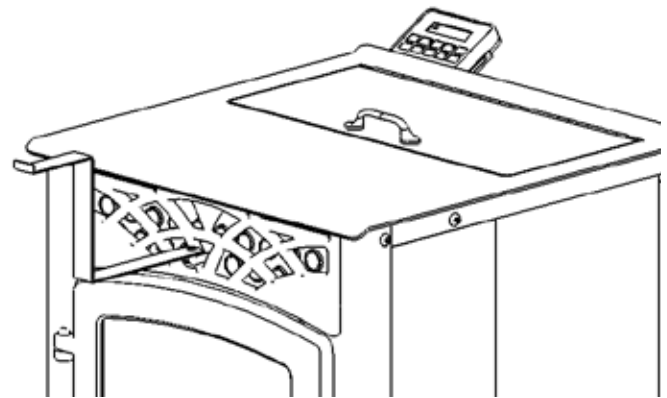


Figure 27: Heat exchanger scraper rod.

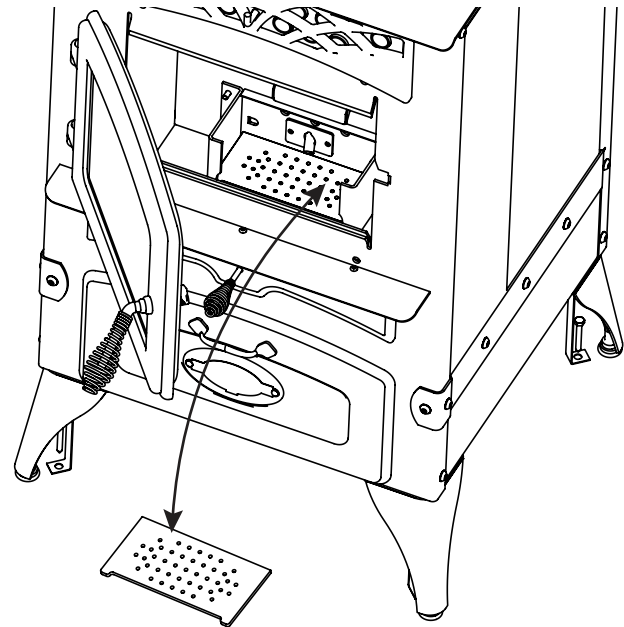


Figure 28: Removable fire plate.

TROUBLESHOOTING GUIDE

Unplug stove before performing any maintenance.

WARNING

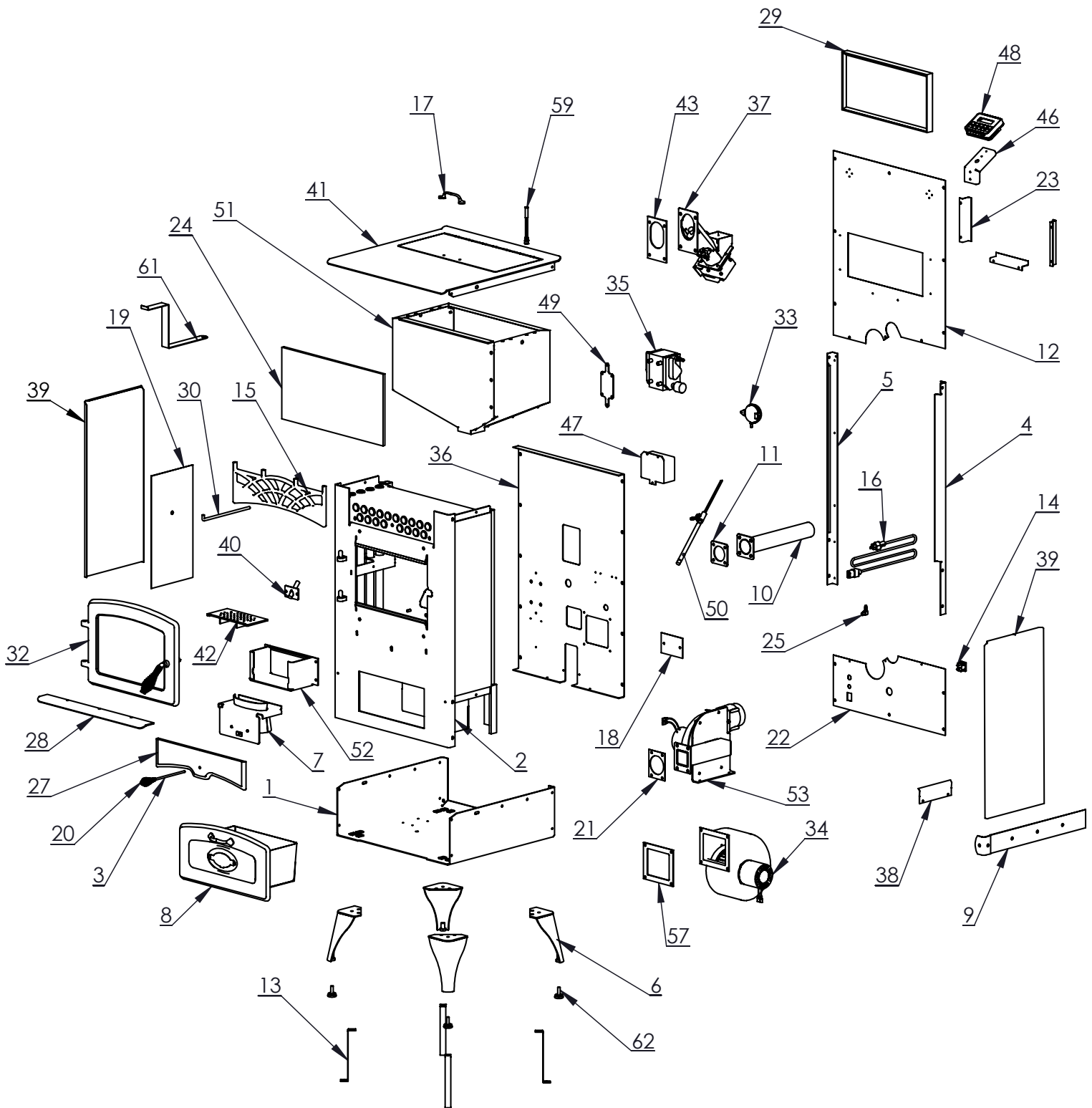
NEVER SERVICE OR TOUCH THE FEED AUGER WITH THE STOVE PLUGGED IN.

PROBLEM	CAUSE: Too rich air/fuel mixture	
? Fire burns with a lazy, orange flame and/or fuel builds up in the fire pot. Glass may become dirty.	<input type="checkbox"/> Make sure glass door is shut and sealed tightly. If not, adjust door handle or replace gasket. <input type="checkbox"/> Check that ash pan is in place and properly sealed. <input type="checkbox"/> Check that firepot is back all the way and sealing with the potholder <input type="checkbox"/> Check that exhaust blower is running and venting properly. If not, check connection and clean or replace.	<input type="checkbox"/> Moisture content of fuel above 15%. Allow fuel to dry. <input type="checkbox"/> Check inside parlor stove and exhaust pipes for blockage. Tap inside walls of firebox, clean behind side access plates, clean fire pot and firebox vent holes above firebrick panel. <input type="checkbox"/> Feed rate is too high for fuel, reduce range setting. <input type="checkbox"/> Check to make sure that exhaust vent is not blocked.
PROBLEM	CAUSE: Fire pot burns out of fuel	
? Fire goes out or parlor stove shuts down. Fuel may stop feeding.	<input type="checkbox"/> Hopper empty, refill <input type="checkbox"/> Hopper door is open. <input type="checkbox"/> Auger jams. Remove auger and clean. (Auger jams can be a problem if poor quality fuel is used. Or excessive fines (sawdust, corn cobs or husk)	<input type="checkbox"/> Auger jams are found in hopper. Auger jams are evident when the auger motor runs but no fuel is delivered. <input type="checkbox"/> Hopper switch is not functioning properly or not connected to the controller.
PROBLEM	CAUSE: Auger stops turning	
? Fire goes out or parlor stove shuts down. Fuel may stop feeding.	<input type="checkbox"/> Feed auger has come loose. Check to see if auger motor is turning and auger is not. <input type="checkbox"/> Heat sensor. If the operating temperature is too low the parlor stove will shutdown.	<input type="checkbox"/> High limit sensor. Evident when parlor stove is extremely hot. Allow parlor stove to cool for one hour and restart. <input type="checkbox"/> Vacuum switch tripped. Caused by exhaust blower not running or venting blocked. Check blower, clean or replace. Clean venting of blockage. <input type="checkbox"/> Auger motor not operating. Inspect connection and replace if necessary.
PROBLEM	CAUSE: Loss of vacuum	
? Stove fans are not running.	<input type="checkbox"/> Make sure glass door is shut and sealed tightly. If not, adjust the door handle or replace gasket. <input type="checkbox"/> Heated room is under negative pressure, check the make-up air fans and ducts.	<input type="checkbox"/> Faulty fans or control board. Call your dealer or customer service for advance diagnostics.

Contact service provider if above remedies fail, contact dealer or call CSW customer service at 800-345-6007.

WARNING! Negative pressure in a home is a serious issue. If there is a problem, the stove should be installed with a Fresh Air Kit (not included).

MAIN ASSEMBLY PARTS
Figure 29





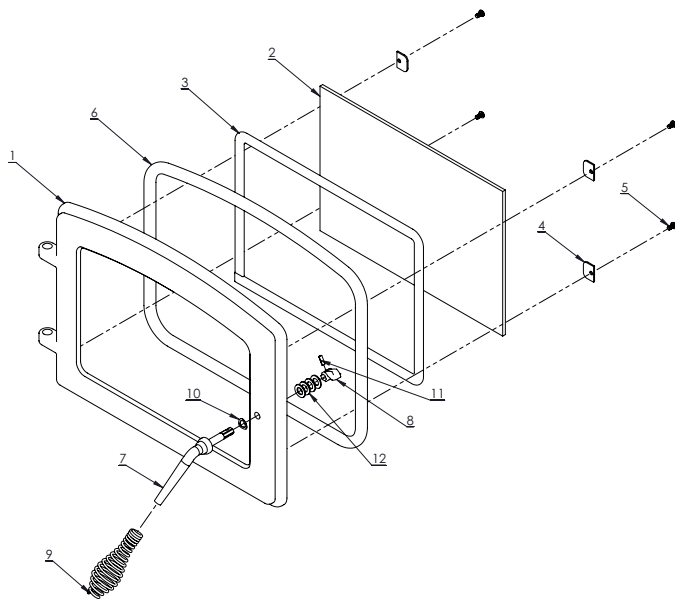
MAIN ASSEMBLY PARTS

KEY #	PART #	DESCRIPTION
1	710042	BASE
2	710106	FIREBOX W/AIRWASH
3	700076	POT CLEANING ROD
4	700250	RIGHT UPRIGHT
5	700300	LEFT UPRIGHT
6	710008	FOOT
7	710110	FIREPOT
8	710053	ASH PAN ASSEMBLY
9	700147	STRAP
10	710057	INTAKE PIPE
11	730020	GASKET INTAKE
12	700335	UPPER STOVE BACK
13	700136	FLOOR STRAP
14	720044	AC INLET-OUTLET
15	700170	GRILL
16	720045	POWER CORD
17	730006	HOPPER/ASH PAN HANDLE (GOLD)
18	700185	DUCT COVER
19	700189	LEFT/RIGHT BAFFLE
20	720053	CLEANING ROD SPRING
21	730015	GASKET INBOARD AUGER
22	700337	LOWER STOVE BACK
23	700195	FILTER BRACKET
24	730031	HOPPER INSULATION
25	720034	90 DEGREE BARBED HOSE FITTING
26	700202	UPPER BAFFLE
27	700163	SHELF BASE
28	700144	SHELF
29	730008	FILTER
30	700206	SCRAPER ROD
32	710095	GLASS DOOR ASSEMBLY
33	720073	VACUUM SWITCH
34	720052	CIRCULATING BLOWER
35	720072	AIR PUMP
36	700257	CIRCULATING AIR DUCT
37	710108	AUGER ASSEMBLY
38	700286	SPRING CLIP
39	700269	SIDE PANEL

KEY #	PART #	DESCRIPTION
40	710116	IGNITER PLUG (3700 ONLY)
41	710097	STOVE TOP
42	710098	FIREPLATE
43	730067	OUTBOARD AUGER GASKET
44	720015	PROOF OF FIRE SWITCH
46	700349	CONTROLLER BRACKET
47	730054	IM (INTERFACE MODULE)
48	730053	PIM CASE AND BRACKET
49	700368	AIR PUMP PLATE
50	730032	HEAT TORCH
51	700371	HOPPER
52	710115	POTHOLDER
53	710105	EXHAUST MANIFOLD
57	730066	CIRC. BLOWER GASKET
58	710098	REMOVABLE FIREPLATE
59	720055	HOPPER SWITCH
61	700225	SCRAPER TOOL
62	725010	ADJUSTABLE GLIDE
ITEMS BELOW NOT SHOWN		
--	8932	NUT 1/4-20 HKPSBW ZN
--	725017	NUT #10-24 HKPSBW ZN
--	1501A	BOLT 5/16-18 X 3/4 HH GR5 ZN
--	503	BOLT 5/16-18 X 1-1/2 HH
--	63118	BOLT 1/4-20 X 1/2 HHCS GR5 ZN
--	725005	SCREW 1/4-20 X 1/2 TRUSS HD TORX
--	725000	BOLT 10-24 X 3/8 TBHMS GR2 BLK ZN
--	725012	BOLT 8-32 X 3/8 PPHMS GR2 ZN F-T
--	725007	SCREW SLHH SHEET METAL
--	509	BOLT 1/4-20 X 1/2 SLHWH ZN F-T T/C
--	725015	SCREW 1/4 X 2 LAG HH
--	725013	SCREW #6-20 X 3/4 PPH ZN
--	700034	STUD 10-24 X 3/4 STNLS FT
--	725016	SCREW #14 X 1/2 PTH BLK ZN
--	53611	NUT 5/16-18 H GR5 ZN

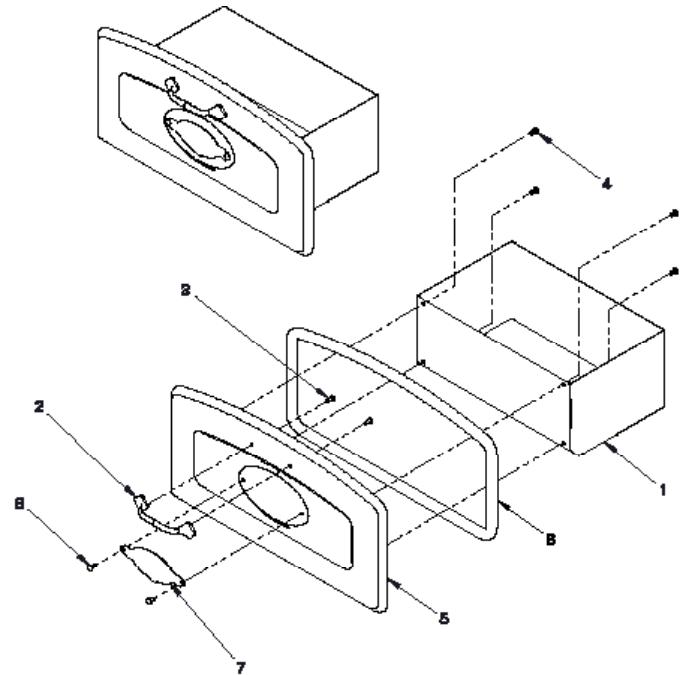
GLASS DOOR PARTS (710095)

Figure 30



ASH PAN PARTS (710053)

Figure 31

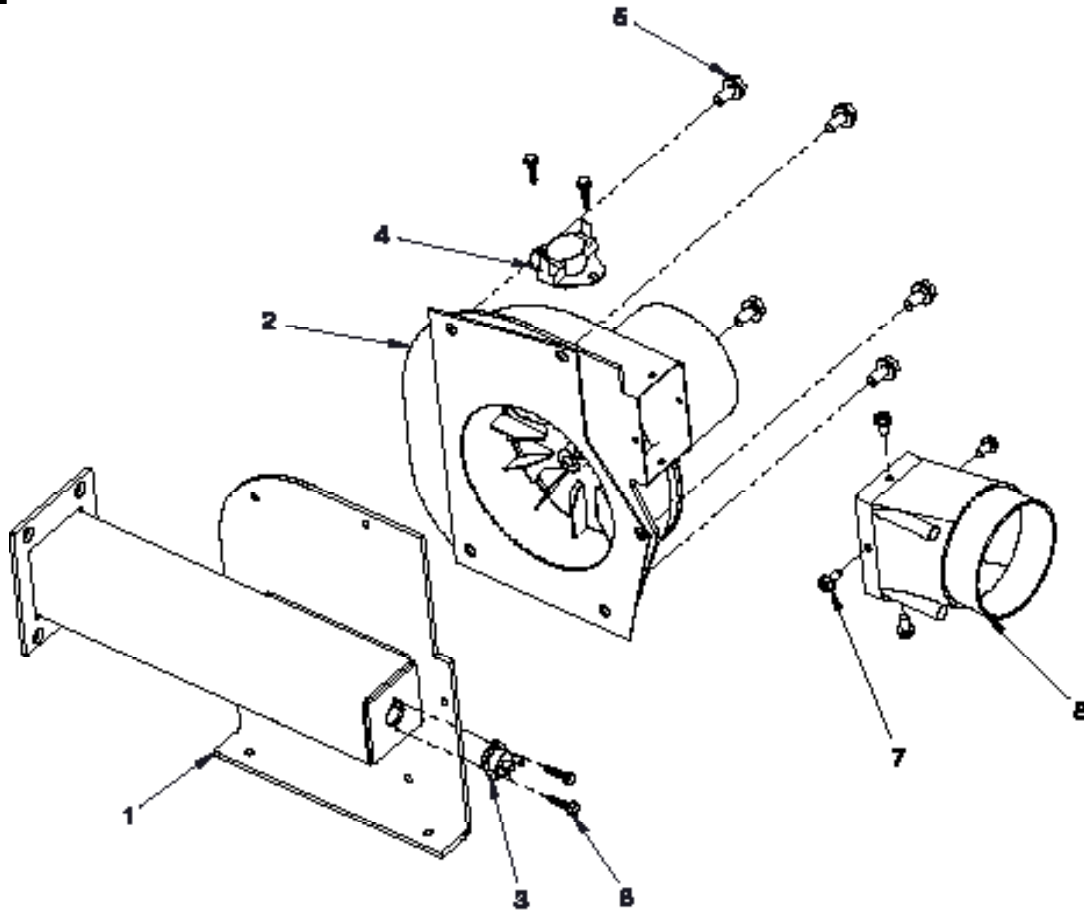


KEY #	PART #	DESCRIPTION
1	700311	CW ROTATING HANDLE
2	720002	GLASS
3	720075	WINDOW GASKET ROPE
4	700200	GLASS CLIP
5	725000	BOLT 10-24 X 3/8 TBHMS GR2 BLK ZN F-T
6	700398	GASKET MAIN DOOR
7	700351	DOOR HANDLE
8	700359	DOOR HANDLE COG
9	720009	DOOR HANDLE SPRING
10	725023	DISC SPRING
11	725026	ROLL PIN
12	725024	SPACER WASHERS

KEY #	PART #	DESCRIPTION
1	710099	ASH PAN
2	730006	HANDLE, ASH DOOR
3	725012	BOLT 8-32 X 3/8 PPHMS GR2 ZN F-T
4	725000	BOLT 10-24 X 3/8 TBHMS GR2 BLK ZN F-T
5	700146	ASH DOOR
6	725008	SCREW #10 X 3/8 RH U-DRIVE BLK ZN SPIRAL
7	730012	PLATE, LOGO
8	720025	GASKET, ASH DOOR

EXHAUST PARTS (710105)

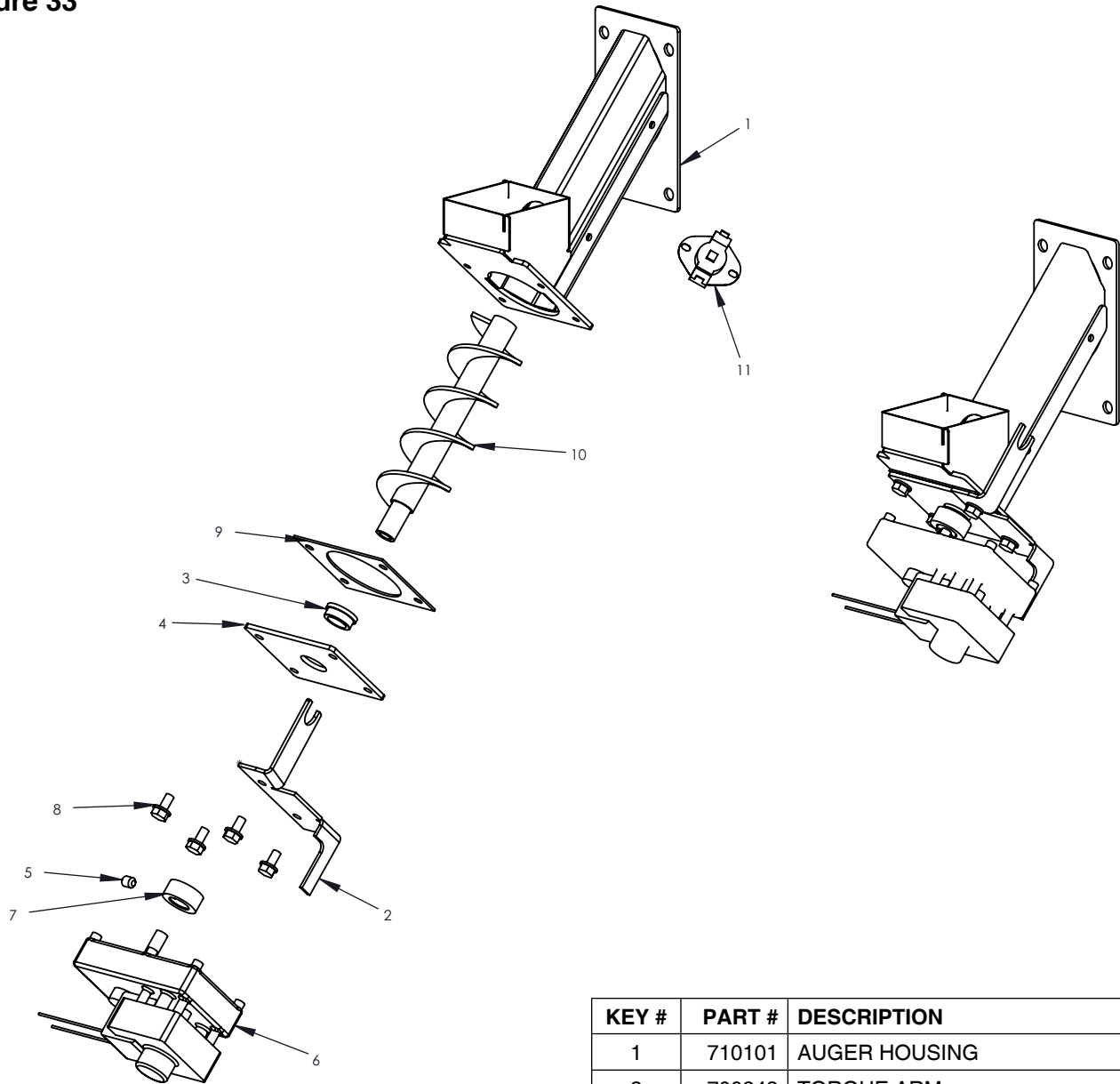
Figure 32



KEY #	PART #	DESCRIPTION
1	710103	EXHAUST MANIFOLD
2	720005	BLOWER, COMBUSTION
3	720050	SWITCH, ROLLOUT LIMIT
4	720015	SWITCH, SNAP DISC
5	509	BOLT 1/4-20 X 1/2 SLHWH ZN F-T T/C
6	725014	SCREW 6-20 X 3/4 SHHSD ZN
7	725007	SCREW #10 X 3/8 SLHH ZN
8	720056	SQUARE TO ROUND TRANSITION

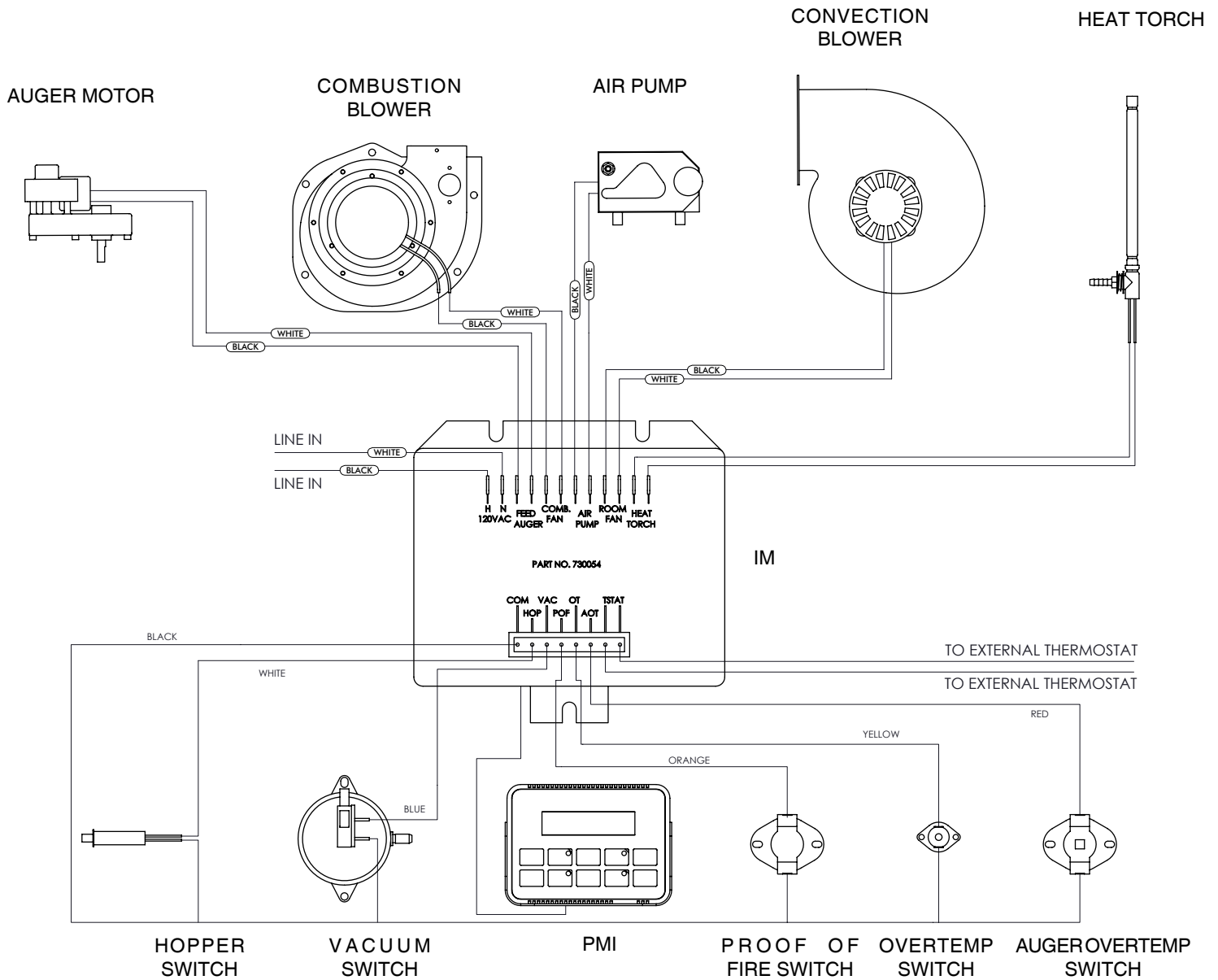
AUGER PARTS (710108)

Figure 33



KEY #	PART #	DESCRIPTION
1	710101	AUGER HOUSING
2	700243	TORQUE ARM
3	730022	AUGER BUSHING
4	700025	INBOARD AUGER PLATE
5	K1038	SET SCREW
6	720079	GEAR MOTOR
7	700033	AUGER COLLAR
8	509	BOLT
9	730015	GASKET INBOARD AUGER
10	710009	AUGER
11	720085	LIMIT SWITCH

WIRING DIAGRAM
Figure 34





Visit www.ardisam.com and discover more innovations that will benefit you throughout the year.



Cumberland Stove Works, Division of Ardisam, Inc.
1360 First Avenue; P.O. Box 666
Cumberland, Wisconsin 54829
800-345-6007 · Fax (715) 822-2223
E-mail: info@ardisam.com

Free Manuals Download Website

<http://myh66.com>

<http://usermanuals.us>

<http://www.somanuals.com>

<http://www.4manuals.cc>

<http://www.manual-lib.com>

<http://www.404manual.com>

<http://www.luxmanual.com>

<http://aubethermostatmanual.com>

Golf course search by state

<http://golfingnear.com>

Email search by domain

<http://emailbydomain.com>

Auto manuals search

<http://auto.somanuals.com>

TV manuals search

<http://tv.somanuals.com>