



PoweredUSB Hub

The CyberData PoweredUSB External Hub provides a simple and affordable way to add up to six PoweredUSB ports to a standard PC. With this Plug-N-Play upgrade, it is easy to connect devices that require more than the normal 500mA of +5 volts that is normally supplied by a standard USB interface.

Features

- Adds 6 PoweredUSB ports
- One +24 volt at 2A for POS printer
- Three +12 volt at 1A each
- Two +5 volt at 1A each
- Short circuit and overcurrent protected
- No external power supply required
- Designed to support Epson multi-function printer power requirements
- Complies with the RoHS Directive

Power Supply

Wide-ranging AC input voltage
90VAC to 260VAC, 60/50Hz input

Compatibility

Windows 2000, XP, WePOS, Vista
MAC and Linux
USB Standard 1.1 "Powered Hub"



- Powered ports respond to PC suspend mode
- Plug-N-Play installation
- Hot-pluggable PoweredUSB ports
- External LED to show port power output status
- Two year warranty

PoweredUSB External Hub Specifications

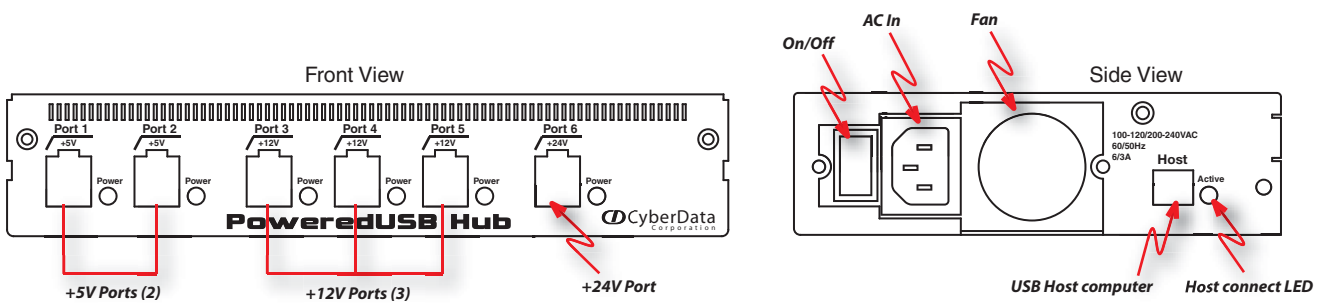
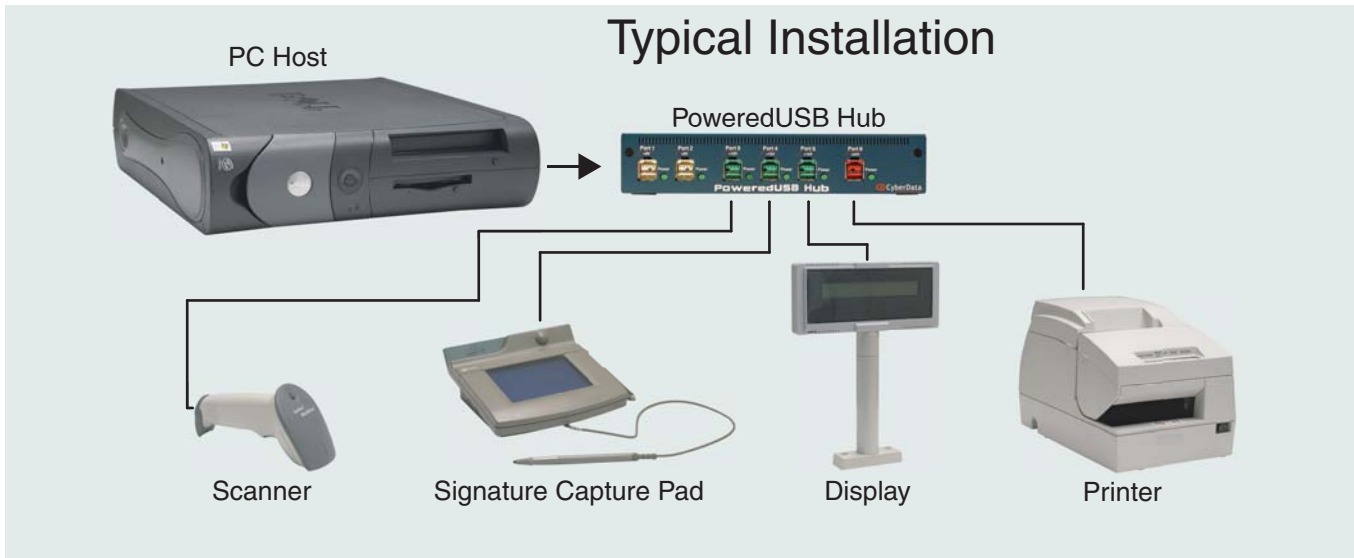
USB Ports	6
Power Output* (Standard)	1 @ 24v 2A 3 @ 12v 1A 2 @ 5v 1A
Port Baud Rates	12Mbps, 1.5Mbps
External LEDs	Power output status
AC Voltage	90 VAC to 260 VAC 60/50 Hz
Boot Up Default	No power to ports
Regulatory Compliance	FCC Class A, UL 60950, CE
Warranty	2 years limited
Part Number	010630

*All ports support standard "A" type +5V USB connection.





PoweredUSB Hub



AC Cable

The AC connection is a standard IEC type.

Input Requirements:

Voltage: 90 ~120 VAC or 200 ~ 260 VAC Auto Switching

Frequency: 60/50 Hz

Input Current: 6.0A (RMS) for 115VAC or 3.0A (RMS) for 230VAC

Host Connector

The Host connector is a standard USB "A" to "B" type cable. Maximum length is 5 meters (16.5 feet).

PoweredUSB Cables

Part Number	PoweredUSB Cable Description	Application
010855	PoweredUSB Cable, 12V to 2x4 - 2.25 Meter	PIN Pad / Signature Capture
010736	PoweredUSB Cable, 12V to 10 Pin RJ45 - Semi-Coiled - 15 Feet	Hand Scanner
010735	PoweredUSB Cable, 12V to Din8 F - 3 Meter	Customer Display
010617	PoweredUSB Cable, 24V to 1x8 - 1.2 Meter	Printer
010632	PoweredUSB Cable, 24V to 3-Pin Power Connector - 4 Meter	Printer
010714	PoweredUSB Cable, 24V to "Y" Cable - USB-B and 3-Pin Power - 1 Meter	Printer

License note:

The PoweredUSB controller board contains specific technology covered by a patent held by IBM Corporation. CyberData has obtained a license from IBM that permits CyberData Corporation, among other things, to make or sell products that incorporate this technology. The license also permits these products to be resold by an entity after they have been initially sold by CyberData.

Free Manuals Download Website

<http://myh66.com>

<http://usermanuals.us>

<http://www.somanuals.com>

<http://www.4manuals.cc>

<http://www.manual-lib.com>

<http://www.404manual.com>

<http://www.luxmanual.com>

<http://aubethermostatmanual.com>

Golf course search by state

<http://golfingnear.com>

Email search by domain

<http://emailbydomain.com>

Auto manuals search

<http://auto.somanuals.com>

TV manuals search

<http://tv.somanuals.com>