

CyberPower™

Quick Start Guide

for USB 2.0 4 Port Mobile Battery Powered Hub



Model No. **CP-H420MP**

This Battery Powered USB Hub makes the most of your notebook computer and workspace by increasing the number of available USB ports. The need for an AC Power Adapter is eliminated by Battery Power. There has never been a more convenient way for travelers and notebook users to utilize USB devices on the road.

Patent Pending

Thank you for purchasing this Cyber Power product. To enjoy all the features and benefits of this Battery Powered Hub, please carefully read and follow all installation and operation instructions completely.

Table of Contents

Introduction	1
System Requirements	2
Package Contents	2
Specifications - USB Battery Powered Hub	3
Specifications - Rechargeable Battery.	4
Product Overview	5
Installation	9
Appendix A.	11
Troubleshooting	
Appendix B.	12
Radio Interference Statement	
Appendix C	13
Lifetime Limited Warranty	

Introduction

USB (*Universal Serial Bus*) is currently the standard for most computers, notebooks and peripherals. The USB connections allow the user to easily connect multiple devices. Cyber Power's USB 2.0 4-Port Mobile Battery Powered Hub (*Model CP-H420MP*) provides additional ports to connect up to 4 USB devices to a single USB port on your computer.

Thanks to the innovative Battery Power design, it is unnecessary to use an AC Power Adapter. The Mobile Battery Powered Hub is the best choice for mobile computer users requiring a USB Hub.

The Quick Start Guide contains easy instructions on installation and the use of your Cyber Power USB 2.0 4-Port Mobile Battery Powered Hub.

System Requirements

Any PC or Macintosh computer with an available USB port and USB-compliant operating system (Windows 98SE/ 2000/ ME/ XP, MacOS 8.6 or above, etc.)

NOTE: To use this USB hub with Windows 98 operating system, please visit <http://www.cyberpowersystems.com> and download the appropriate software driver before installing this Hub.

Package Contents

This package includes:

1. USB 2.0 4-Port Battery Powered Hub (*Model CP-H420MP*)
2. 4 AAA Ni-MH Rechargeable Batteries
3. 1.5' A Male-A Female USB Extension Cable
4. User Manual

Specifications - Battery Powered Hub

FUNCTION		SPECIFICATION
USB Ports	Downstream	USB Type A Female x 4
	Upstream	USB Type A Male x 1
LEDs	Power	1 (Blue)
	Battery Discharge	1 (Red)
Power Mode		Self-Power
Output Voltage (per port)		+5V DC
Output Current (per port)		500mA (max)
Operating Temperature		5 °C ~ 40 °C
Storage Temperature		-20 °C ~ 60 °C
Humidity		0 - 80% RH, Noncondensing
Housing		Plastic
Weight		1.3 oz.
Dimensions		3.22" x 2.12" x .52"

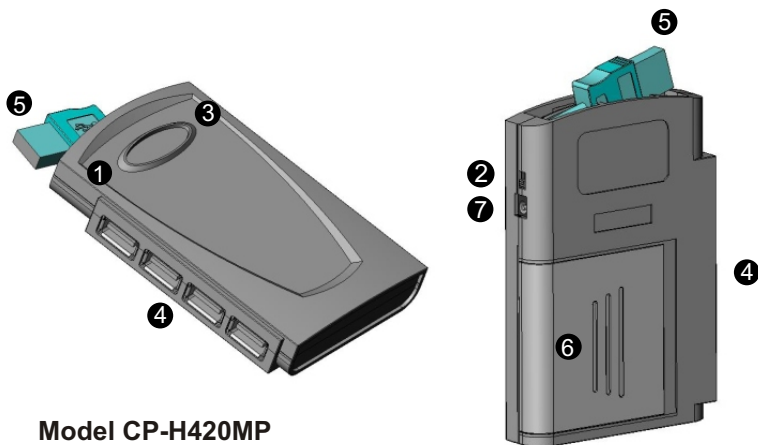
Specifications - Rechargeable Battery

FUNCTION	SPECIFICATION	Conditions
Battery Type	Rechargeable Ni-MH Cylindrical Cell	Cell Size: AAA
Nominal Voltage	+1.2V	Unit cell
Nominal Capacity	650mAh	Standard Charge/ Discharge
Charge Condition	100mAmp (0.15C)	Ta = 0°C ~ 45°C
Storage Temperature	-20°C ~ 35°C	Discharge state
Nominal Dimension (with Sleeve)	ø=10.5mm H=44.5mm	Unit cell
Weight (unit cell)	0.46 oz.	Unit cell

Note:

Please charge before use. The batteries are delivered in an uncharged state.

Product Overview



Model CP-H420MP

Product Overview - continued

- 1) **Power Indicator** - Blue LED will illuminate when USB Hub is receiving power.
- 2) **Battery Power Switch** - Switch on battery power switch when extra power is needed for connected USB devices. This switch activates self-power mode.
- 3) **Battery Discharge Indicator** - Red LED will illuminate to indicate when the batteries are in use. If the batteries are fully discharged, the Red LED will not illuminate.
- 4) **Downstream Ports** - Connect your USB devices to these 4 ports.
- 5) **USB Connector (A type)** - Plug the USB Connector to an unused USB port on your computer to provide a link between the USB hub and connected USB devices.

Product Overview - continued

- 6) **Battery Cover** - Remove cover and insert four (4) rechargeable Ni-MH batteries that are included in the package in order to use your Hub under Self-Power mode.
- 7) **AC Power Adapter Connection** - An AC Power Adapter (*Model: CP5A0526; Output: 5V DC 2.6Amp*) (*Sold separately. See enclosed coupon for details*) may be used as an alternative to battery power when an AC wall outlet is available. Connect the USB Hub to the optional AC Power Adapter. It will operate in Self-Power mode.

First Use - Charge Batteries

When using this Hub the first time, charge the Ni-MH batteries at least **6 hours**.

- 1) Insert the included batteries (4) into the Hub.
- 2) Plug the USB connector into an unused USB port on your computer.
- 3) Make sure that the Battery Power Switch is in the OFF position and your computer is ON. Batteries will be fully charged in approximately 6 hours.

Warning!

In order to maximize the battery powered hub as well as to avoid any unsafe situation, please do not use dry battery and any other kinds of rechargeable battery!!

Installation

This USB Hub is a plug-and-play device. Your computer will display the **Add New Hardware** Wizard after connecting the hub. The **Add New Hardware** Wizard will install the Cyber Power USB Hub automatically. It is not necessary to restart your computer after installation.

To use this USB hub with Windows 98 operating system, please visit <http://www.cyberpowersystems.com> and download the appropriate software driver before installing this Hub.

- 1) Plug the USB Connector into an unused USB port on your computer.
- 2) Please use the included USB extension cable if the attached USB Connector is too short.
- 3) Connect your USB devices to the Downstream ports on this Hub.

Installation - continued

Self-Powering the Hub:

Using Battery Power:

If the connected devices work properly, keep the Battery Power Switch OFF in order to conserve battery power! If the connected devices function erratically or require additional power, turn the Battery Power Switch **ON** to activate Self-Power mode.

NOTE:

Depending on the equipment being powered, your Mobile Battery Powered Hub's rechargeable Ni-MH battery have to be replaced or recharged at 3-5 hours of continuous use.

Appendix A

Troubleshooting

Problem	Possible Cause	Action
Unit operates erratically.	Static electricity may cause the Hub to behave erratically.	Reset the Hub by disconnecting it from your computer. Wait five seconds, then reconnect.
USB devices operate erratically or can't be powered on.	Connected USB devices may require too much power for Bus-Powered operation.	Set the Battery Power Switch to the ON position for Self-Power mode.
Unit fails to provide battery power	Batteries may need replacement.	Replace batteries with standard Ni-MH AAA rechargeable batteries.
Unit fails to operate and is not recognized by the operating system.	Non-USB compliant operating system.	Insure that your computer is fully USB-compatible and a USB-compliant operating system is installed. (See <i>System Requirement section.</i>)

Appendix B

Radio & TV Interference Statement

This equipment has been tested and found to comply within the limits for a Class B digital device, pursuant to Part 15 of the FCC rules. These limits are designed to provide reasonable protection against harmful interference in a residential installation. This equipment generates, uses and can radiate radio frequency energy and if not installed and used in accordance with the instructions, may cause harmful interference to radio communications. There is no guarantee, however, that interference will not occur in a particular installation.

Appendix C

Lifetime Limited Warranty

Cyber Power warrants this USB Hub (the **Hub**) (excluding rechargeable Ni-MH battery) to be free from defect in material or manufacture for its lifetime. If a defect results in product failure during its normal use, Cyber Power's sole responsibility is to repair or replace (at its sole option) the Hub.

The foregoing Limited Warranty is the consumer's sole and exclusive remedy and excludes any incidental or consequential damages. Some States do not allow the exclusion or limitation of incidental and consequential damages, so certain of the above limitations or exclusions may not apply to you (the Consumer). This limited warranty gives the Consumer specific legal rights and the Consumer may have other rights, which vary from State to State.

To make a Limited Warranty claim:

1. Pack and ship the Hub to Cyber Power at 5555 12th Ave E, Suite 110, Shakopee, MN 55379;
2. Clearly indicate on the outside of the packaging that this is a **WARRANTY RETURN**;
3. Clearly include your name and address (a) on the outside packaging and (b) on a sheet of paper enclosed in the box with the Hub that is being returned; and
4. You **MUST** prepay all shipping costs and you are responsible for packaging and shipment.

Appendix C - continued

Cyber Power will inspect and examine the Hub. If the Hub is defective in material or workmanship, Cyber Power will repair or replace it and return it to you at Cyber Power's expense at the place you have indicated.

Contact Information:

**Cyber Power Systems (USA), Inc.
5555 12th Avenue East, Suite 110
Shakopee, MN 55379
Toll free: (877) 297-6937**

Cyber Power is the warrantor under this Limited Warranty.
You may also visit Cyber Power on the Internet at www.cyberpowersystems.com.



CyberPower Systems (USA), Inc.

5555 12th Avenue East, Suite 110, Shakopee, MN 55379, U.S.A.

TEL: (952) 403-9500 FAX: (952) 403-0009 Toll-Free: (877) 297-6937

E-mail: sales@cyberpowersystems.com Web: www.cyberpowersystems.com

Entire contents copyright © 2004 CyberPower Systems, Inc.

All rights reserved. Reproduction in whole or in part without permission is prohibited.

K01-H420MP0

Free Manuals Download Website

<http://myh66.com>

<http://usermanuals.us>

<http://www.somanuals.com>

<http://www.4manuals.cc>

<http://www.manual-lib.com>

<http://www.404manual.com>

<http://www.luxmanual.com>

<http://aubethermostatmanual.com>

Golf course search by state

<http://golfingnear.com>

Email search by domain

<http://emailbydomain.com>

Auto manuals search

<http://auto.somanuals.com>

TV manuals search

<http://tv.somanuals.com>