

HT1108TNCGRU1

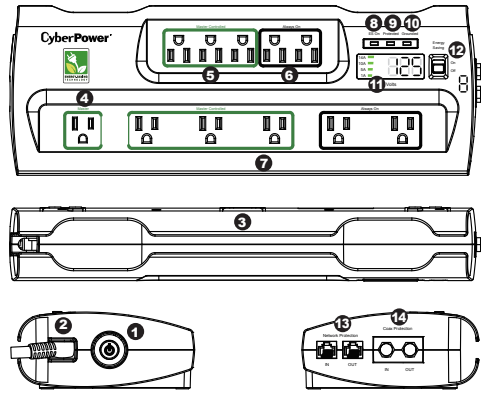
11-outlet Surge Protector
with Energy-Saving Technology



User's Manual

Congratulations on your purchase!

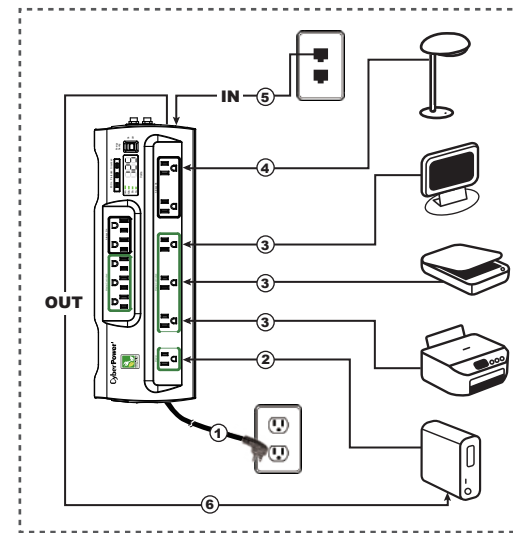
Thank you for selecting the CyberPower HT1108TNCGRU1 Surge Protector. The information contained in this brochure explains the features and operation of the HT1108TNCGRU1. Please take a few moments to read this manual.



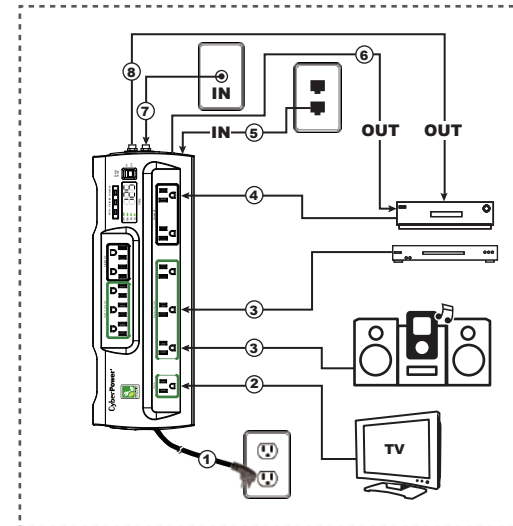
Features

- 1. ON/OFF Reset Control Switch and circuit breaker**
Controls power to all outlets. The push button is also a 15A breaker. When an overload occurs, it will automatically switch off. To resume operation, ensure the overload condition is removed and reset the surge protector by switching the unit ON.
 - 2. Rotating Power Cord with right-angle plug**
The cord pivots 90° for convenience while keeping the outlets clear of cords. The slim right-angle plug design allows you to arrange your furniture closer to the wall.
 - 3. Cord Management**
Keeps power cords neat and organized.
 - 4. Energy-Saving Master Outlet**
Automatically switches six master controlled outlets on or off.
 - 5. Six Energy-Saving Master Controlled Outlets**
Automatically switched on or off by master outlet. (Only when the Energy Saving On/Off switch is set to the ON position).
 - 6. Four Always on Outlets**
Provide continuous power regardless of Master/Master-controlled outlets state.
 - 7. Six Wide-Spaced Outlets**
Easily plug in large chargers without interfering with the other outlets.
 - 8. ES On LED indicator**
Illuminated when the surge protector is set to the Energy Saving mode.
 - 9. Protected LED indicator**
Illuminated when the surge protection feature is working properly.
 - 10. Grounded LED indicator**
Illuminated when a properly grounded AC outlet is detected.
 - 11. Voltage Display**
Displays voltage and current status.
 - 12. Energy-Saving On/Off Control Switch**
Turns Energy-Saving feature on or off. When set to the ON position, the master outlet will control power to the master-controlled outlets. When set to the OFF position, all eleven outlets will function as Always-on outlets.
 - 13. Surge Protected Data Line Connections**
Protects phones, modems, fax machines, and network cables from surges and spikes.
 - 14. Surge Protected Cable and Satellite Connections**
Protects coaxial lines from surges and spikes.
- Audible alarm**
Sounds when the surge protection feature has reached full capacity and can no longer absorb surges and spikes. The surge protector should be replaced if this alarm sounds.

Home & office environment



Home theater environment



Operating instructions

A. Power Connections

- 1 Plug the power cord of the CyberPower surge protector into a standard grounded 120V AC outlet. If the LEDs do not light up, press the main power switch/circuit breaker on the left of the unit.



CAUTION!

Risk of electric shock - Use only in dry locations and only indoors. DO NOT plug into another relocatable power tap. DO NOT "daisy chain" surge protectors. DO NOT use with any aquarium equipment. DO NOT use if properly grounded outlets are not available. DO NOT install this device if there is not at least 10 meters (30 feet) or more of wire between the electrical outlet and electrical service panel.

- 2 Plug the power cord of your primary home theater or home/office device, such as a TV or computer, into the Master outlet of the surge protector.

Note: When this device is powered off or goes into a SLEEP or STANDBY mode, power to the devices plugged into the Master-controlled outlets will automatically be shut off to save energy normally being drawn by peripherals.

- 3 Plug the power cords of your secondary devices, such as a DVD player, A/V receiver, printer, scanner, etc., into the Master-controlled outlets of the surge protector.

Note: Do not plug any device into a Master-controlled outlet that you wish to use while the power of the primary device plugged into the Master outlet is powered off, as these outlets only provide power to the connected devices while the primary device is powered on.

- 4 Plug the power cords of any devices that require constant power, such as a DVR/PVR, lamp, or devices that you wish to use while the primary device is powered off, into the Always-on outlets of the surge protector.

B. Data Line Connections

- 5 Connect the incoming Ethernet (RJ45) line to the Network line jack marked IN on the surge protector.

- 6 Connect a separate Ethernet cable from the Network line jack marked OUT on the surge protector to the corresponding input jack on the device (i.e., Blu-ray player, set-top box, DVR, etc.).

C. Coax Cable Connections

- 7 Connect the incoming coaxial cable source (i.e., the cable jack on the wall or incoming satellite line) to the coaxial jack marked IN on the surge protector.

- 8 Connect a separate coaxial cable from the coaxial jack marked OUT on the surge protector to the coaxial input jack of the cable/satellite set-top box.

D. Final Steps

After all devices have been properly plugged into the surge protector and powered on, when you power the primary device that is plugged into the Master outlet on and off, the secondary devices that are plugged into the Master-controlled outlets will automatically power on and off.

Note: (1) To ensure this feature works properly, enable standby mode in your computer's power management settings. For Windows, open the Control Panel, select **Power Options**, then under *Settings for Power Schemes*, select a system standby time period.

For Macs, open System Preferences and select **Energy Saver**. (2) For TV application: please check your TV's manual and follow the step to set up the standby/ sleep mode.

Devices that are plugged into the Always-on outlets will not be controlled by the primary device, and must be powered on and off separately as desired.

Specifications

- **Model Number:** HT1108TNCGRU1
- **Outlets:** 11 – 6 Transformer Spaced
- **Surge Protection:** 4650 Joules
- **Communication Protection:** Combo RJ11/ RJ-45 1 in / 1 out
- **Coaxial Protection:** 1 Pair
- **Electrical Rating:** 125V/15A/1875W
- **Maximum Peak Current:** 225,000A
- **UL Clamping Voltage:** UL 1449 3rd/400V (L-N), 500V (L-G, N-G)
- **EMI/RFI Filtration:** 150 kHz to 100 MHz, up to 70dB

Troubleshooting

If the **ON/OFF** is switched off, the 15 AMP circuit breaker may have tripped. Examine your connected equipment and remove the device that is overloading the circuit. Then, the **ON/OFF** switch back to **RESET**.

If the **Grounded** indicator does not light when you plug in the surge protector, Move the surge protector to a different grounded three-prong AC outlet. If it still does not light, return the product to the dealer for assistance. If the surge protector proves to be working properly, your outlets may not be properly grounded and need to be repaired by a professional electrician.

If the **Grounded** indicator turns off after a period of use, the surge protection has been depleted. Replace your surge protector.

If the **Protected** indicator does not light, the surge protectors AC line is no longer protected from surges. Replace the surge protector. The surge protector may have received a power surge or spike beyond its specified limits that might overload the protection circuitry and make it inactive. The surge protector absorbed enough of the surge to protect your connected equipment, but it will not protect against future surges and spikes.

If the **Master-controlled** outlets don't turn on or off when your notebook computer or TV is connected to the **Master** outlet:

- The power consumption of **Master** outlet must be below 10 Watts for the **Master-controlled** outlets to turn off. Some computers continue to consume more than 10 Watts of power during battery charging or in standby mode. In this case, please make sure Hibernater/ Sleep mode is also enabled on your computer under power management settings, or check with your computer's manufacturer.
- The power consumption of **Master** outlet must be above 50 Watts to trigger the **Master-controlled** outlets to turn on. Some computers and TV do not draw enough power to turn on the **Master-controlled** outlets. In this case, please try plugging a different primary device into the **Master** outlet.

Product Registration

Thank you for purchasing a CyberPower product. Prompt product registration entitles coverage under the Limited Warranty, and also allows the opportunity to be notified of product enhancements, upgrades, and other announcements. Registration is quick and easy at www.cpsww.com/register.

Need Additional Help?

Feel free to contact our Tech Support department with installation, troubleshooting, or general product questions. CyberPower Technical Support
Phone: 1-877-297-6937
Email: tech@cpsww.com
Web: www.CPSww.com
Mail: 4241 12th Avenue E, Suite 400 Shakopee, MN 55379
Hours of Operation: Monday – Friday, 8:00am – 5:00pm Central

Limited Warranty

Read the following terms and conditions carefully before using the CyberPower HT1108TNCGRU1 (the "Product"). By using the Product you consent to be bound by and become a party to the terms and conditions of this Limited Warranty (together referred to as this "Warranty"). If you do not agree to the terms and conditions of this Warranty, you should return the Product for a full refund prior to using it.

Who Is Providing This Warranty?

CyberPower Systems (USA), Inc. ("CyberPower") provides this Limited Warranty.

What Does This Warranty Cover?

This warranty covers defects in materials and workmanship in the Product under normal use and conditions.

What Is The Period Of Coverage?

This Warranty is for as long as the original owner owns the Product.

Who Is Covered?

This warranty only covers the original purchaser. Coverage ends if you sell or otherwise transfer the Product.

How Do You Get Service?

- 1 Call us at (877) 297-6937 or write to us at Cyber Power Systems (USA), Inc., 4241 12th Ave. E., STE 400, Shakopee, MN 55379 or send us an e-mail message at claims@cyberpowersystems.com for instructions.
- 2 When you contact CyberPower, identify the Product, the Purchase Date, and the item(s) of Connected Equipment. Have information on all applicable insurance or other resources of recovery/payment that are available to the Initial Customer and Request a Claim Number.
- 3 You must provide a purchase receipt (or other proof of the original purchase) and provide a description of the defect.

4 Pack and ship the product to CyberPower and, if requested, the item(s) of Connected Equipment, a repair cost estimate for the damage to the Connected Equipment, and all claim forms that CyberPower provides to you. Show the Claim Number on the shipping label or include it with the product. You must prepay all shipping costs, you are responsible for packaging and shipment, and you must pay the cost of the repair estimate.

What Will We Do To Correct Problems?

CyberPower will inspect and examine the Product. If the Product is defective in material or workmanship, CyberPower will repair or replace it at CyberPower's expense, or, if CyberPower is unable to or decides not to repair or replace the Product (if defective) within a reasonable time, CyberPower will refund to you the full purchase price you paid for the Product (purchase receipt showing price paid is required).

Who Pays For Shipping?

We pay when we send items to you; you pay when you send items to us.

What Are Some Things This Warranty Does Not Cover?

- 1 This Warranty does not cover any software that was damaged or needs to be replaced due to the failure of the Product or any data that is lost as a result of the failure or the restoration of data or records, or the reinstallation of software.
- 2 This Warranty does not cover or apply to: misuse, modification, operation or storage outside environmental limits of the Product or the equipment connected to it, nor for damage while in transit or in storage, nor if there has been improper operation or maintenance, or use with items not designed or intended for use with the Product, such as laser printers, appliances, aquariums, medical or life support devices, etc.

What Are The Limitations?

- 1 This Warranty does not apply unless the Product and the equipment that was connected to it were connected to properly wired and grounded outlets (including compliance with electrical and safety codes of the most current electrical code), without the use of any adapters or other connectors.
- 2 The Product must have been plugged directly into the power source and the equipment connected to the Product must be directly connected to the Product and not "daisy-chained" together in serial fashion with any extension cords, another Product or device similar to the Product, surge suppressor, or power tap. Any such installation voids the Limited Warranty.
- 3 The Product and equipment connected to it must have been used properly in a suitable and proper environment and in conformance with any license, instruction manual, or warnings provided with the Product and the equipment connected to it.
- 4 The Product must have been used at all times within the limitations on the Product's VA capacity.
- 5 The sole and exclusive remedies of the Initial Customer are those provided by this Warranty.

K09-1101011-00

Contact Information

CyberPower Systems, Inc.
4241 12th Ave. East Suite 400
Shakopee, MN 55379
Phone: (952) 403-9500
Toll-free: (877) 297-6937
CyberPower is the warrantor under this Limited Warranty. You may also contact CyberPower on the web at CPSww.com

FCC Notice

This device complies with Part 15 of the FCC Rules. Operation is subject to the following two conditions: (1) this device may not cause harmful interference, and (2) this device must accept any interference received, including interference that may cause undesired operation. Changes or modifications not expressly approved by the party responsible for compliance could void the user's authority to operate the equipment. This Class B digital apparatus complies with Canadian ICES-003. Note: These limits are designed to provide reasonable protection against harmful interference in a residential installation. This equipment generates, uses and can radiate radio frequency energy and, if not installed and used in accordance with the instructions, may cause harmful interference to radio communications. However, there is no guarantee that interference will not occur in a particular installation. If this equipment does cause harmful interference to radio or television reception, which can be determined by turning the equipment off and on, the user is encouraged to try to correct the interference by one or more of the following measures: Reorient or relocate the receiving antenna. Increase the separation between the equipment and receiver. Connect the equipment into an outlet on a circuit different from that to which the receiver is connected. Consult the dealer or an experienced radio/TV technician for help.



© 2011 CyberPower Systems (USA), Inc. All rights reserved. All other trademarks are the property of their respective owners.

CyberPower[®]
Reliability. Quality. Value.

CyberPower Systems (USA), Inc

4241 12th Ave. East, Suite 400
Shakopee, MN 55379
Phone: 952-403-9500
CPSww.com

Free Manuals Download Website

<http://myh66.com>

<http://usermanuals.us>

<http://www.somanuals.com>

<http://www.4manuals.cc>

<http://www.manual-lib.com>

<http://www.404manual.com>

<http://www.luxmanual.com>

<http://aubethermostatmanual.com>

Golf course search by state

<http://golfingnear.com>

Email search by domain

<http://emailbydomain.com>

Auto manuals search

<http://auto.somanuals.com>

TV manuals search

<http://tv.somanuals.com>