

## Hub Updater Instructions

The Wireless PowerTap ANT+ Updater upgrades wireless PowerTap hubs sold under the "SL 2.4" designation to be ANT + compatible. The ANT+ Updater is limited to one update per device.

After updating, return the updater to Saris Cycling Group for a free gift. Visit [www.cycleops.com](http://www.cycleops.com) or call 1-800-783-7257 for more details.

## Wireless PowerTap Ant+ Updater Instructions:

1. Unscrew the plastic battery cover using the cap tool included with the PowerTap hub. There are O-ring seals that can cause the cover to resist the start of motion. Turn the cap counter-clockwise to unscrew.
2. Remove the battery assembly from the hub by grabbing the tabs on the ends or the blue wire and pulling away from the hub. A gentle side to side rocking motion may assist the removal.
3. Check that the electrical connector tab on the inside of the hub is perpendicular to the bottom of the battery pocket. If the tab is bent, gently press it back into place with a blunt tool.
4. Insert the updater onto the electrical connector tab. Ensure the updater is fully seated into the battery pocket.
5. Push the switch forward towards the hub to turn on the updater.
6. The red and green lights flash as the hub is being updated which takes around 30 seconds.
7. The green light flashes when the update has been successfully completed. If after the update, the red light flashes, the update was unsuccessful. Turn the updater off and remove it from the hub. Repeat steps 3 -7 again. If the update is still unsuccessful, contact Saris customer service at 800-783-7257 (option 3).
8. Push the switch on the updater back to the off position.
9. Remove the updater from the hub.
10. Ensure the electrical connector tab is straight.
11. Install the battery assembly back into the hub. As the battery is engaged, a small increase in resistance should be felt as the electrical connections are made.
12. Thread the new plastic battery cover back onto the hub to indicate the hub is now Ant+ compatible. Tighten using the supplied tool.
13. Recycle your updater. Return the updater to Saris Cycling Group for a free gift. Visit [www.cycleops.com](http://www.cycleops.com) for more details.
14. You must update your PowerTap CPU to receive data, go to [www.cycleops.com/update](http://www.cycleops.com/update).

The hub now transmits on both the Saris network as well as the Ant+ network. Data transmitted includes:

- Applied Power (Angular Velocity x Torque)
- Speed (Angular Velocity)
- Distance (Wheel Rotations)
- Cadence (Pedal RPM)
- Hub Battery Condition (Indicates low battery in the hub)

See the user manual for the compatible Ant+ device or [cycleops.com/im](http://cycleops.com/im) to receive data broadcast on the Ant+ network. Data transmitted includes :

### Power Only Message

- Power (Angular Velocity X Torque)
- Cadence (Pedal RPM)

### Torque at Wheel Message

- Torque (Force applied at the pedals)
- Speed (Angular Velocity)
- Distance (Wheel rotations)
- Cadence (Pedal RPM)

## Updater Warranty: 1 year electronics

Instrucciones españolas [www.cycleops.com/userguide](http://www.cycleops.com/userguide)

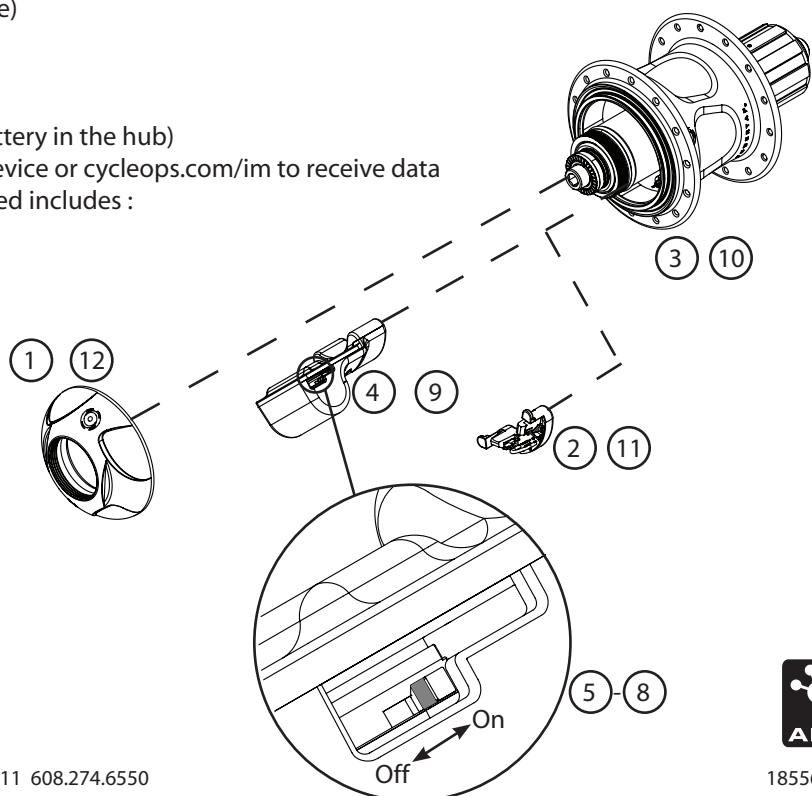
Instructions françaises [www.cycleops.com/userguide](http://www.cycleops.com/userguide)

Deutsche Anweisungen [www.cycleops.com/userguide](http://www.cycleops.com/userguide)

Istruzioni italiane [www.cycleops.com/userguide](http://www.cycleops.com/userguide)

Nederlandse instructies [www.cycleops.com/userguide](http://www.cycleops.com/userguide)

Norsk instruksjoner [www.cycleops.com/userguide](http://www.cycleops.com/userguide)



## Free Manuals Download Website

<http://myh66.com>

<http://usermanuals.us>

<http://www.somanuals.com>

<http://www.4manuals.cc>

<http://www.manual-lib.com>

<http://www.404manual.com>

<http://www.luxmanual.com>

<http://aubethermostatmanual.com>

Golf course search by state

<http://golfingnear.com>

Email search by domain

<http://emailbydomain.com>

Auto manuals search

<http://auto.somanuals.com>

TV manuals search

<http://tv.somanuals.com>