



User Manual

HD Wireless Outdoor Cloud Camera

DCS-2332L

Preface

D-Link reserves the right to revise this publication and to make changes in the content hereof without obligation to notify any person or organization of such revisions or changes. Information in this document may become obsolete as our services and websites develop and change. Please refer to the www.mydlink.com website for the most current information.

Manual Revisions

Revision	Date	Description
1.0	October 23, 2012	DCS-2332L Revision A1 with firmware version 1.00

Trademarks

D-Link and the D-Link logo are trademarks or registered trademarks of D-Link Corporation or its subsidiaries in the United States or other countries. All other company or product names mentioned herein are trademarks or registered trademarks of their respective companies.

Copyright © 2012 D-Link Corporation.

All rights reserved. This publication may not be reproduced, in whole or in part, without prior expressed written permission from D-Link Corporation.

Table of Contents

Product Overview.....	4	Live Video	25
Package Contents.....	4	Setup.....	27
Introduction.....	5	Setup Wizard	27
System Requirements	5	Network Setup.....	33
Features.....	6	Wireless Setup.....	36
Hardware Overview	7	Dynamic DNS	37
Front	7	Image Setup	38
Rear: External.....	8	Audio and Video.....	40
Rear: Internal	9	Preset.....	42
Removing the Top Panel	10	Motion Detection	44
Replacing the Ethernet Cable	11	Time and Date.....	45
Reattaching the Top Panel.....	12	Event Setup.....	46
Removing the Bottom Panel	13	SD Card.....	55
Using the Reset Button	13	Advanced.....	56
Installing an SD Memory Card	14	ICR and IR.....	56
Reattaching the Bottom Panel.....	14	HTTPS.....	57
Installation	16	Access List.....	58
Zero Configuration Setup.....	16	System	59
Camera Installation Wizard	19	Maintenance.....	60
Windows Users	19	Device Management	60
Mac Users.....	20	Firmware Upgrade.....	61
Manual Hardware Installation.....	21	Status	62
SD Memory Card Installation	22	Device Info	62
mydlink.....	23	Logs	63
Configuration.....	24	Help.....	64
Using the Configuration Interface.....	24	Technical Specifications	65

Product Overview

Package Contents



DCS-2332L HD Wireless Outdoor Cloud Camera



CAT5 Ethernet cable (Pre-Attached)



Power adapter (Pre-Attached)



CD-ROM with User Manual and software



Quick Installation Guide



Antenna



If any of the above items are missing, please contact your reseller.

Note: Using a power supply with a different voltage than the one included with your product will cause damage and void the warranty for this product.

Introduction

Congratulations on your purchase of the DCS-2332L HD Wireless Outdoor Cloud Camera. The DCS-2332L is a versatile and unique solution for your small office or home. Unlike a standard webcam, the DCS-2332L is a complete system with a built-in CPU and web server that transmits high quality video images for security and outdoor surveillance. The DCS-2332L can be accessed remotely, and controlled from any PC/Notebook over your local network or through the Internet via a web browser. The simple installation and intuitive web-based interface offer easy integration with your Ethernet/Fast Ethernet or 802.11n/g wireless network. The DCS-2332L also comes with remote monitoring and motion detection features for a complete and cost-effective home security solution.

System Requirements

- Computer with Microsoft Windows[®] 8/7/Vista/XP, or Mac with OS X 10.6 or higher
- PC with 1.3GHz or above and at least 128MB RAM
- Internet Explorer 7, Firefox 12, Safari 4, or Chrome 20 or higher version with Java installed and enabled
- Existing 10/100 Ethernet-based network or 802.11g/n wireless network

Features

Simple to Use

The DCS-2332L is a stand-alone system with a built-in CPU, requiring no special hardware or software. The DCS-2332L supports both ActiveX mode for Internet Explorer and Java mode for other browsers such as Firefox® and Safari®.

Supports a Variety of Platforms

Supporting TCP/IP networking, HTTP, and other Internet related protocols. The DCS-2332L can also be integrated easily into other Internet/Intranet applications because of its standards-based features.

Web Configuration

Using a standard Web browser, administrators can configure and manage the Network Camera directly from its own Web page via Intranet or Internet. This means you can access your DCS-2332L anytime, anywhere in the world.

Broad Range of Applications

With today's high-speed Internet services, the Network Camera can provide the ideal solution for delivering live video images over the Intranet and Internet for remote monitoring. The Network Camera allows remote access using a Web browser for live image viewing, and allows the administrator to manage and control the Network Camera anytime, anywhere in the world. Many applications exist, including industrial and public monitoring of homes, offices, banks, hospitals, child-care centers, and amusement parks.

Remote Monitoring Utility

The D-ViewCam application adds enhanced features and functionality for the Network Camera and allows administrators to configure and access the Network Camera from a remote site via Intranet or Internet. Other features include image monitoring, recording images to a hard drive, viewing up to 32 cameras on one screen, and taking snapshots.

IR LED for Day and Night Functionality

The built-in infrared LEDs enables night time viewing of up to 16 feet (5 meters).

IP65 Weatherproof Housing

The DCS-2332L uses an IP65 weatherproof housing, allowing you to rest assured that in the toughest of conditions, it will continue to provide round-the-clock surveillance.

802.11n Wireless or Ethernet/Fast Ethernet Support

The DCS-2332L offers wireless 802.11n and Ethernet/Fast Ethernet connectivity, making the DCS-2332L easy to integrate into your existing network environment. The DCS-2332L works with a 10Mbps Ethernet based network or 100Mbps Fast Ethernet based network for traditional wired environments, and works with 802.11n routers or access points for added flexibility. The Site Survey feature also allows you to view and connect to any available wireless networks.

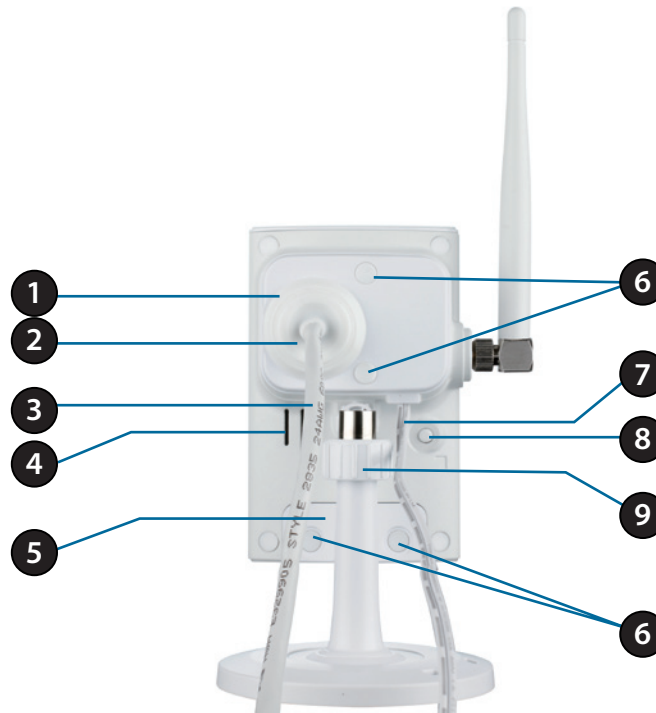
Hardware Overview

Front



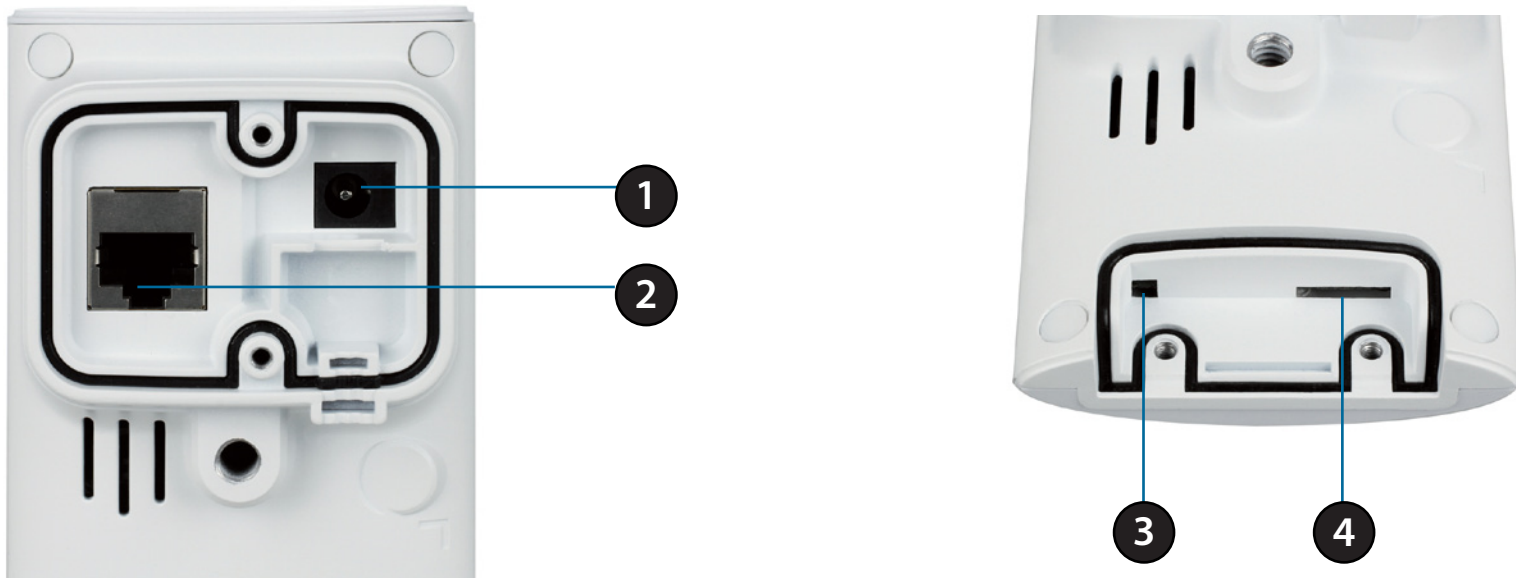
1	Camera Lens	Records video of the surrounding area
2	ICR Sensor	The IR-Cut Removable sensor measures the lighting conditions and switches between color and infrared accordingly
3	Microphone	Records audio from the surrounding area
4	PIR	Passive Infrared sensor for motion detection
5	IR LED	Infrared LED illuminates the camera's field of view at night
6	WPS Status LED	Indicates the WPS connection status of the camera
7	Power/Status LED	Indicates the camera's current status
8	Antenna	Outdoor wireless antenna

Rear: External



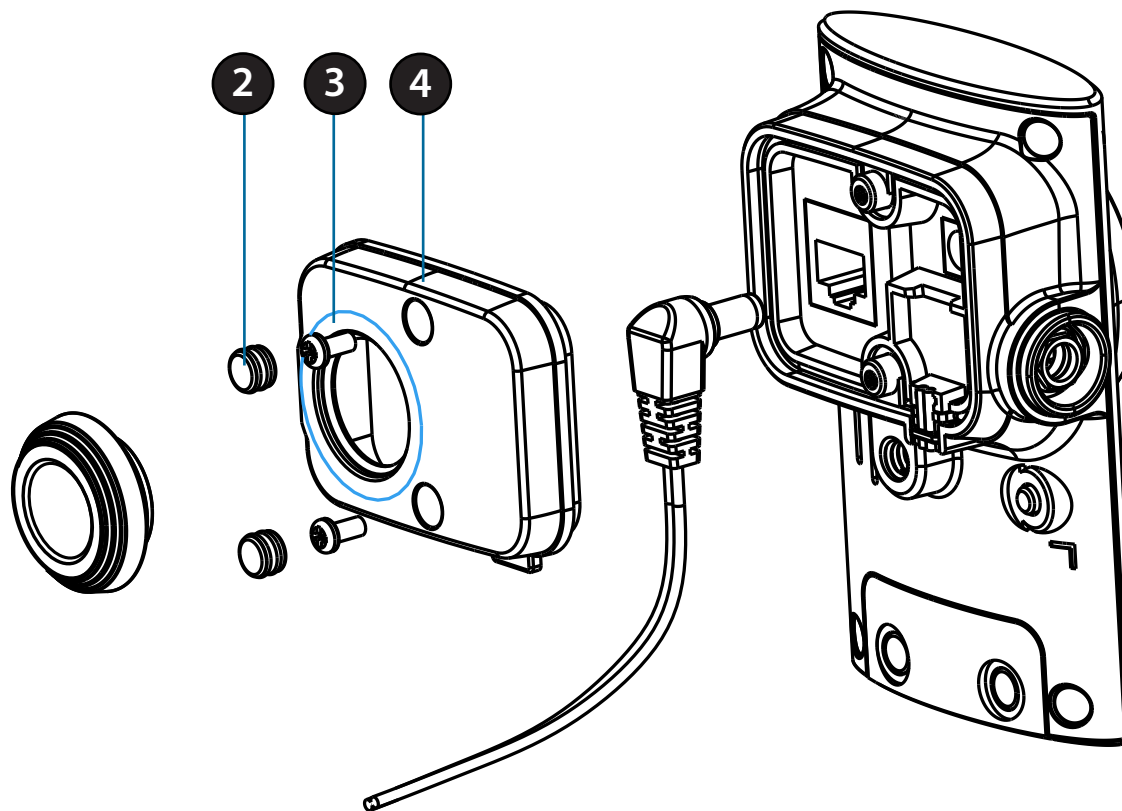
1	Weatherproof Cover	Weatherproof protective panel
2	Protective Cable Cover	Weatherproof cable connection cover
3	Ethernet Cable	RJ45 Ethernet cable to connect to your network
4	Speaker	Audio output
5	Weatherproof Cover	Weatherproof cover for the MicroSD Card slot and reset button
6	Weatherproof Screw Covering	Weatherproof protective covering for enclosure screws
7	Power Cable	Connected to the included DC 5 V power adapter
8	WPS Button	Press this button, then press the WPS button for 5 seconds on your router to set up a wireless connection automatically
9	Adjustment Ring	Tighten or loosen the adjustment ring to adjust the camera's position

Rear: Internal



1	DC Power Connector	Connected to the included DC 5 V power adapter
2	RJ45 Ethernet Port	RJ45 connector for Ethernet
3	Reset Button	Use a paperclip or similar tool to press and hold the recessed button for 10 seconds to reset the camera
4	SD Memory Card Slot	Insert a MicroSD card for for storing recorded images and video

Removing the Top Panel



Step 1:
Place the camera face down on a non-slip flat surface.

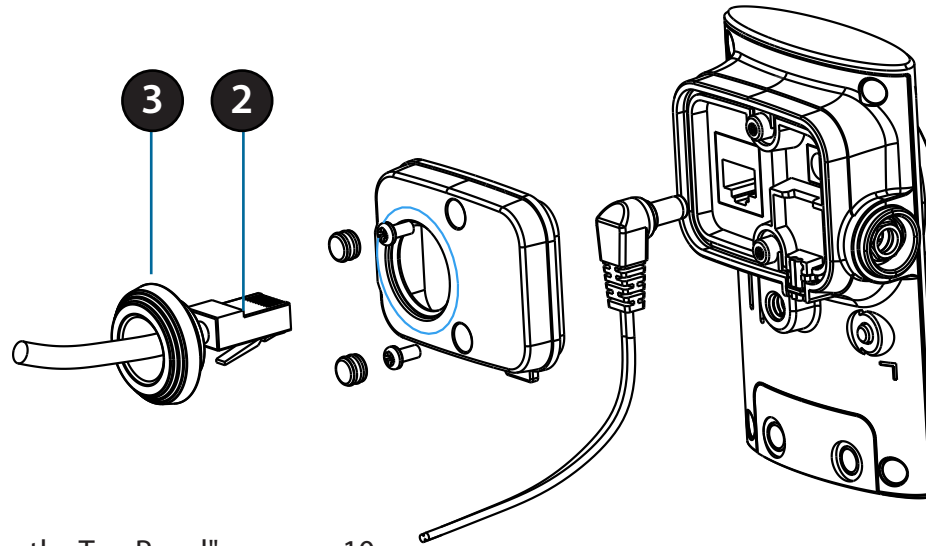
Step 2:
Carefully pry out the two protective rubber screw coverings using a thin flat blade.

Step 3:
Undo the two screws using a Philips #00 Screwdriver.

Step 4:
Lift off the protective panel.

Note: To ensure that the camera stays weatherproof, users are advised to ensure that all the rubber seals are secured firmly in place.

Replacing the Ethernet Cable



Step 1:

Follow the steps outlined in "Removing the Top Panel" on page 10.

Step 2:

Unplug the Ethernet cable from the RJ45 connector.

Step 3:

Carefully remove the weatherproof cable connection cover.

Step 4:

Attach the weatherproof cable connection cover to the new Ethernet cable.

Step 5:

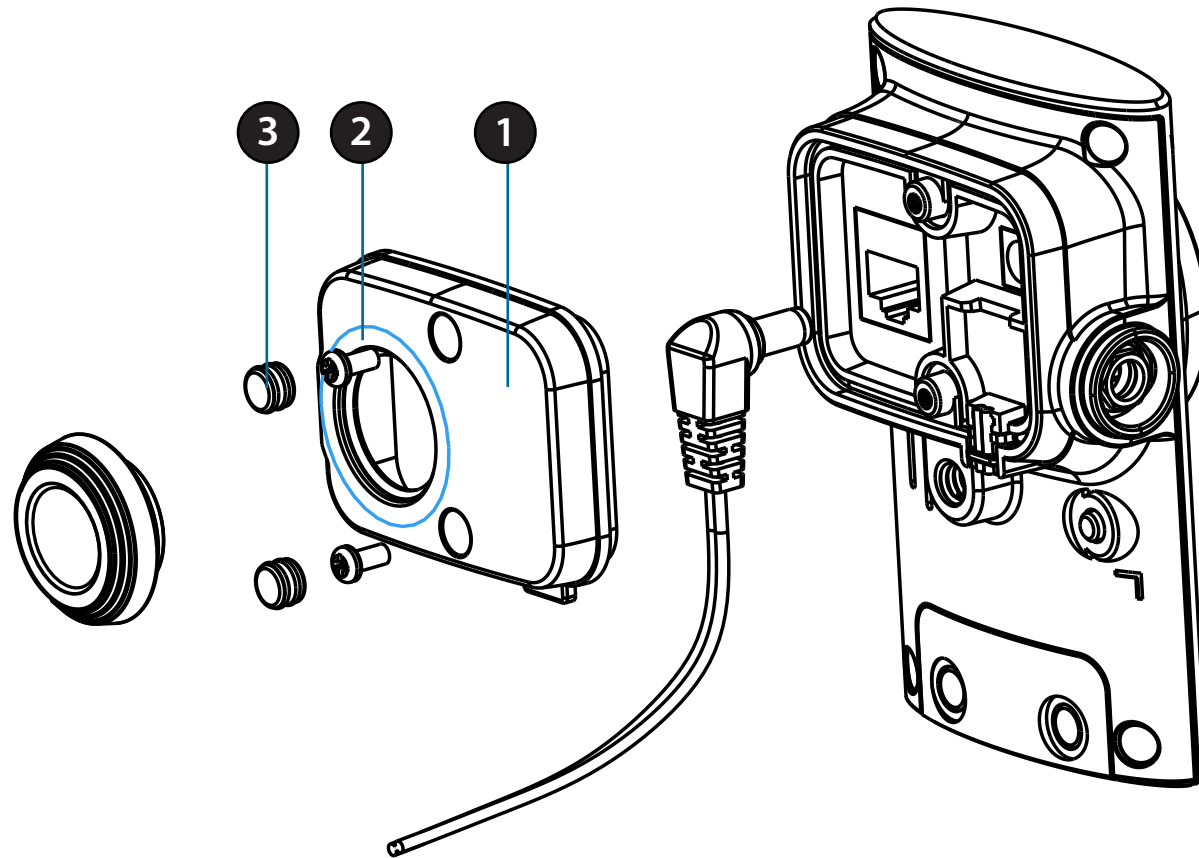
Plug the new Ethernet cable into the RJ45 connector.

Step 6:

Follow the steps outlined in "Reattaching the Top Panel" on page 12.

Note: To avoid damage to the weatherproof aspects of the camera, users are advised not to remove the rear cable connection covering. To use a longer Ethernet cable install a coupling adaptor.

Reattaching the Top Panel



Step 1:
Seat the protective panel, ensuring a tight fit with the inlaid rubber seal.

Step 2:
Replace the two screws. Ensure that the screws are tightened firmly.

Step 3:
Firmly replace the protective rubber screw coverings.

Note: To ensure that the camera stays weatherproof, users are advised to ensure that all the rubber seals are secured firmly in place.

Removing the Bottom Panel

Step 1:

Place the camera face down on a non-slip flat surface.

Step 2:

Carefully pry out the two protective rubber screw coverings using a thin flat blade.

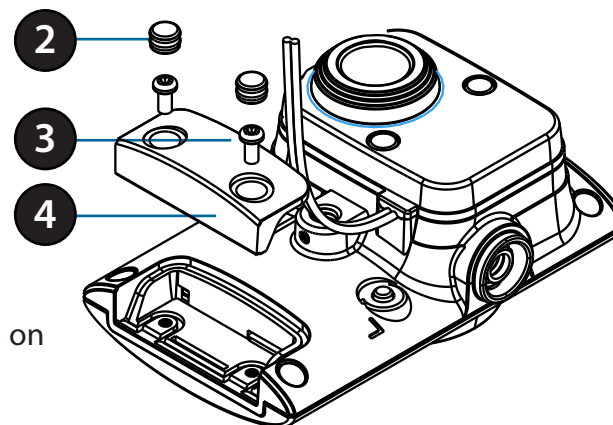
Step 3:

Undo the two screws using a Philips #00 Screwdriver.

Step 4:

Lift off the protective panel.

If you need to install an SD Memory Card please skip to "Installing an SD Memory Card" on page 14.



Using the Reset Button

If you need to use the Reset Button follow these steps.

Step 1:

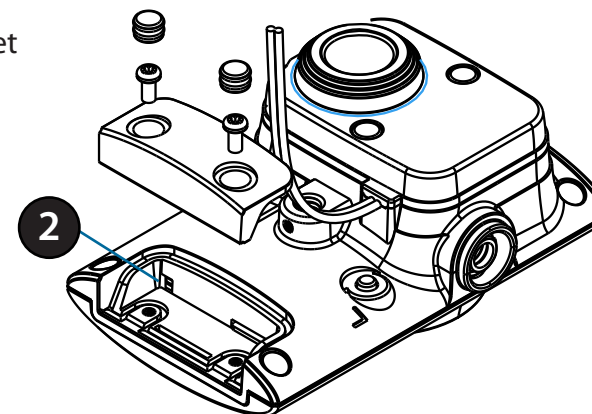
Follow the steps outlined in "Removing the Bottom Panel" on page 13.

Step 2:

Using a paperclip or similar tool, press and hold the Reset Button for 10 seconds. This will reset the device to its factory settings.

Step 3:

Follow the steps outlined in "Reattaching the Bottom Panel" on page 14.



Installing an SD Memory Card

Step 1:

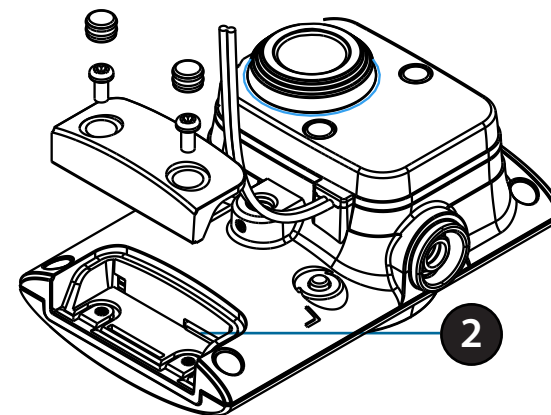
Follow the steps outlined in "Removing the Bottom Panel" on page 13.

Step 2:

Insert a MicroSD Memory card into the slot, with the notch facing right.

Step 3:

Follow the steps outlined in "Reattaching the Bottom Panel" on page 14.



Reattaching the Bottom Panel

Step 1:

Seat the protective panel, ensuring a tight fit with the inlaid rubber seal.

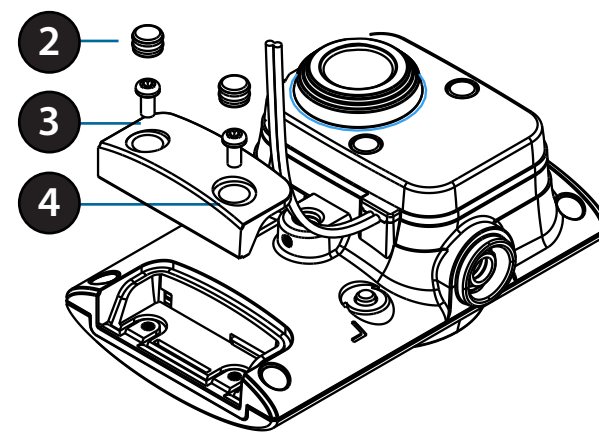
Step 2:

Replace the two screws. Ensure that the screws are tightened firmly.

Step 3:

Firmly replace the protective rubber screw coverings.

Note: To ensure that the camera stays weatherproof, users are advised to ensure that all the rubber seals are secured firmly in place.



Optional: WPS Wireless Connection

Alternatively, if your router supports WPS, you can use the WPS button on the camera to easily create a secure wireless connection to your network.

To create a WPS connection:

Step 1

Attach the Antenna

Locate the antenna included with your DCS-2332L, and attach it to the antenna connector located on the side of the DCS-2332L.

Step 2

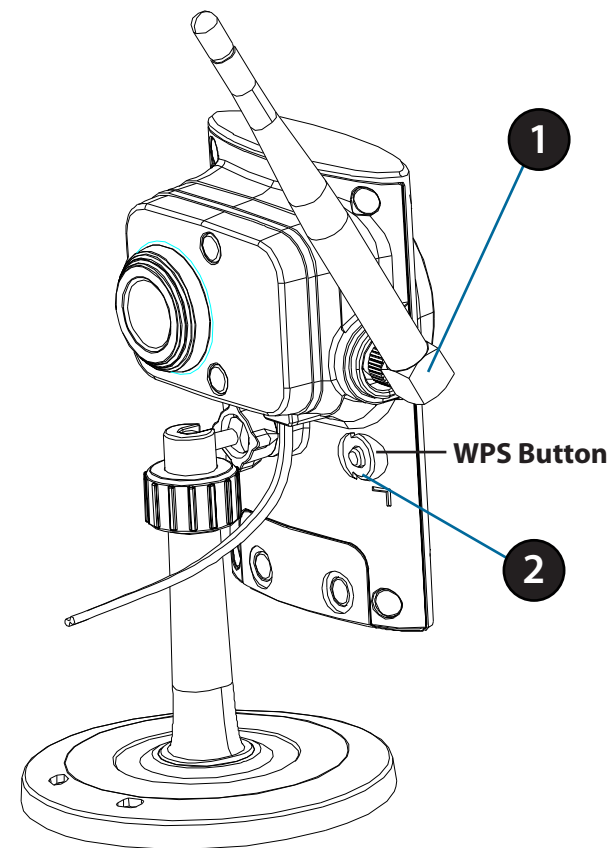
Press and hold the WPS button for approximately 5-6 seconds. The blue WPS status LED on the front panel will blink.

Step 3

Within 60 seconds press the WPS button on your router. On some routers, you may need to log in to the web interface and click on an on-screen button to activate the WPS feature. If you are not sure where the WPS button is on your router, please refer to your router's User Manual.

The DCS-2332L will automatically create a wireless connection to your router. While connecting, the status LED will flash. When the connection process is complete, the status LED will turn solid.

Note: If your router does not support WPS, you can still use the wired connection method on the previous page. After Zero Configuration setup is complete, your router's wireless settings will be automatically transferred to the camera.



Installation

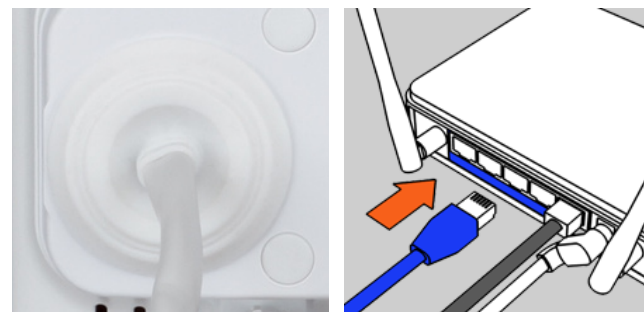
Zero Configuration Setup

If you have a mydlink-enabled Cloud Router, you can take advantage of Zero Configuration. Zero Configuration automatically configures your camera's settings for you, and adds it to your mydlink account automatically. This type of setup allows you to set up your camera by simply plugging it in and connecting it to your router.

Connect your camera to your mydlink-enabled Cloud Router and Zero Configuration will automatically configure your DCS-2332L and automatically add the camera to your mydlink account. After the short time it takes to do this you can remotely access your camera from the www.mydlink.com website to manage and monitor your DCS-2332L.

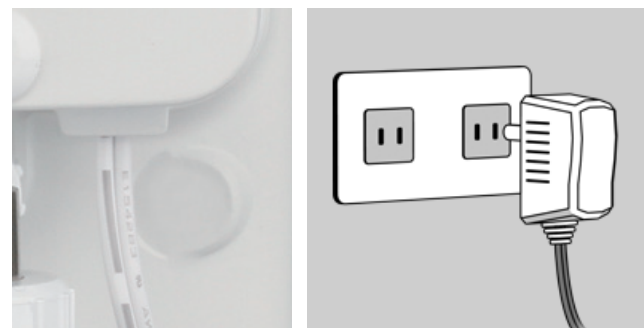
Connect the Ethernet Cable

Using the pre-attached Ethernet cable connect the free end to your network.



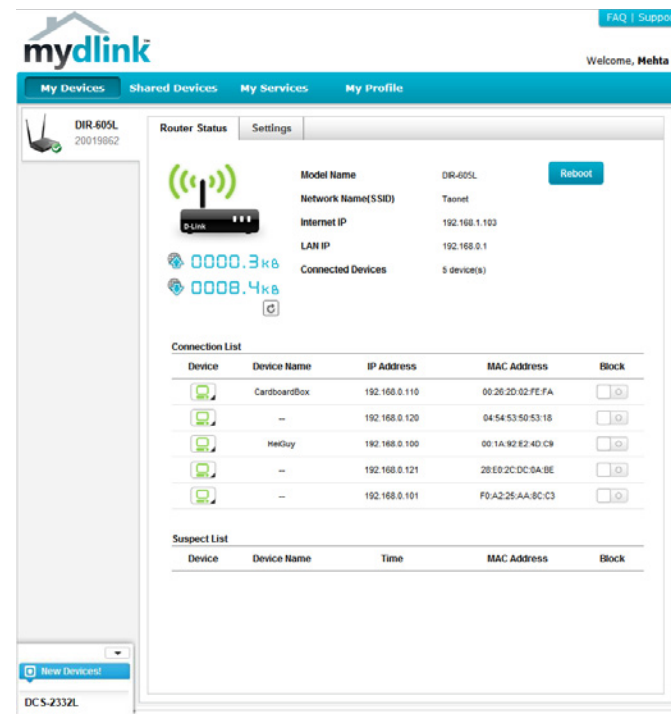
Attach the External Power Supply

Attach the external power supply to your wall outlet or power strip.

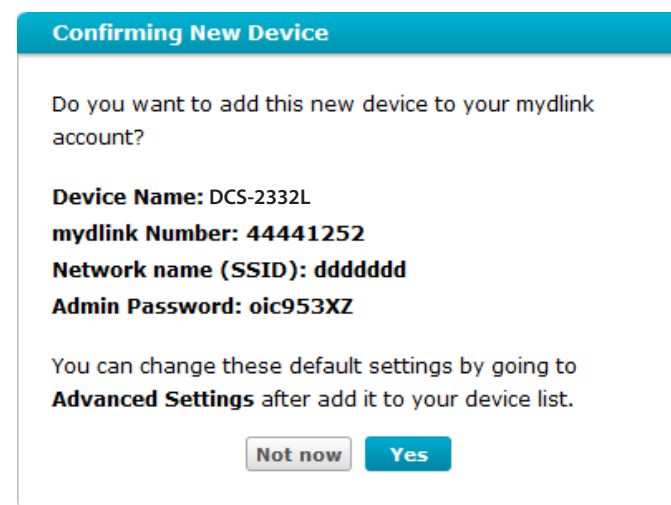


Check Your mydlink Account

Open a web browser and login to your mydlink account. The mydlink page will check for new devices and display a **New device Found!** pop-up notification in the bottom-left corner. Click the notification to continue.



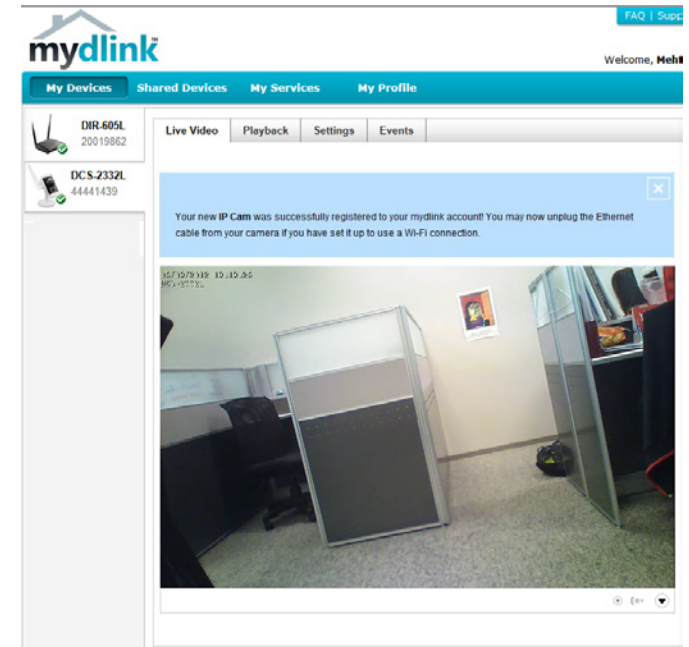
A summary and confirmation notification will appear with the automatically configured details. Make a note of the details and click **Yes** to add the camera to your account.



Zero Configuration will navigate to the mydlink Live View tab for your camera where you will see a screen similar to the following.

If you wish to connect your camera to your router wirelessly, you can simply disconnect the Ethernet cable and move the camera to its intended location; your router's wireless settings have been automatically transferred to the camera, and no further configuration is required.

Your camera is now set up, and you can skip to "mydlink" on page 23 to learn more about the mydlink features of this camera, or to "Configuration" on page 24 for advanced configuration of your camera.



Camera Installation Wizard Windows Users

Insert the Installation CD-ROM into your computer's optical drive to start the autorun program.

Simply click Set up your Cloud Camera to go through the Setup Wizard, which will guide you step-by-step through the installation process from connecting your hardware to configuring your camera and registering it with your mydlink account.



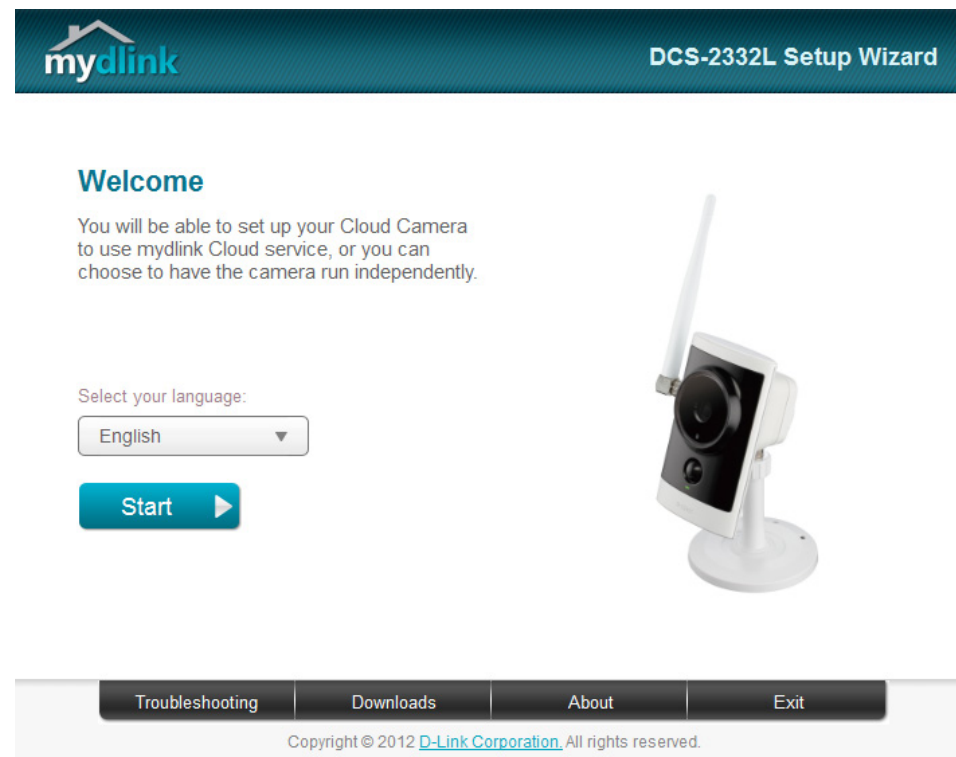
Note: If the autorun program does not open, go to My Computer, browse to your CD drive, and double-click on the setup.exe file.

Mac Users

Insert the Installation CD-ROM into your computer's CD drive. On the desktop, open your CD drive and double-click on the **SetupWizard** file.



Within 20-30 seconds, the Setup Wizard will open, which will guide you step-by-step through the installation process from connecting your hardware to configuring your camera and registering it with your mydlink account.



Note: mydlink portal requires Java™ to function correctly.

For more guidelines, please refer to mydlink FAQ pages at <https://eu.mydlink.com/faq/mydlink>

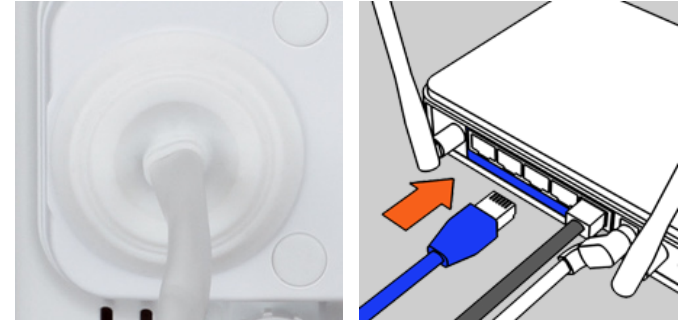
Manual Hardware Installation

If you wish to set up your camera without using the Camera Setup Wizard, please follow these steps.

Note: In order to use the mydlink features of this product, you will need to go through the Camera Setup Wizard.

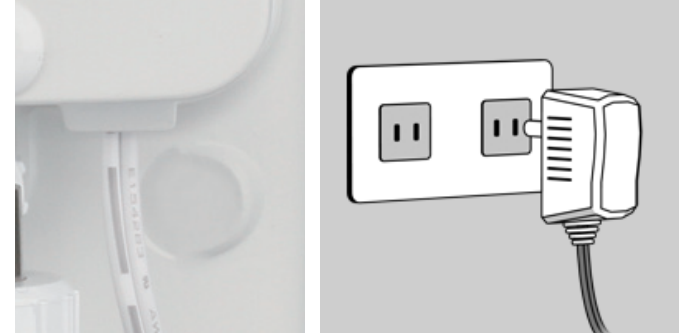
Connect the Ethernet Cable

Using the pre-attached Ethernet cable connect the free end to your network.



Attach the External Power Supply

Attach the external power supply to your wall outlet or power strip.



SD Memory Card Installation

The SD memory card slot is housed behind the lower protective panel on the rear of the device.

Step 1:

Place the camera face down on a non-slip flat surface

Step 2:

Carefully pry out the two lower protective rubber grommets using a thin flat blade.

Step 3:

Undo the two screws using a Philips #00 Screwdriver.

Step 4:

Lift off the protective panel.

Step 5:

Insert a MicroSD Memory Card.

Step 6:

Replace the protective panel.

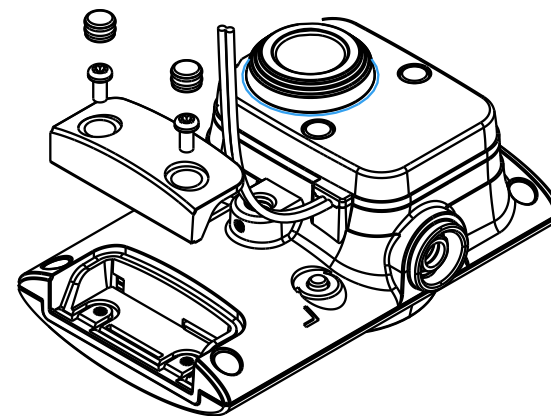
Step 7:

Replace the two screws. Ensure that the screws are tightened firmly.

Step 8:

Firmly replace the protective rubber grommets.

Note: To ensure that the camera stays weatherproof, users are advised to ensure that all the rubber seals are secured firmly in place.



mydlink

After registering your DCS-2332L camera with a mydlink account in the Camera Installation Wizard, you will be able to remotely access your camera from the www.mydlink.com website. After signing in to your mydlink account, you will see a screen similar to the following:

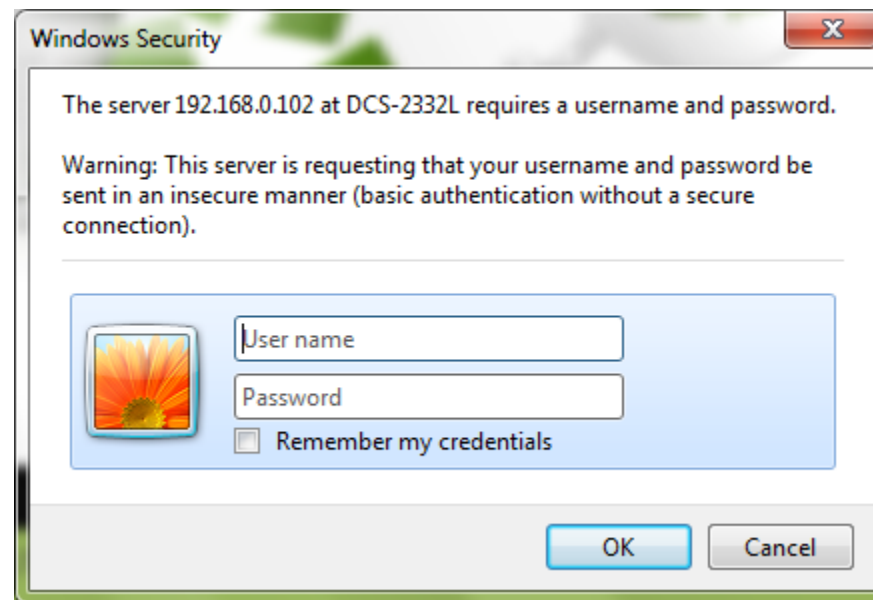


For more details on using your camera with mydlink, go to the **Support** section of the mydlink website and check the **User Manual** section for your product to find the latest instruction guide for your camera's mydlink features.

Configuration

Using the Configuration Interface

After completing the Camera Installation Wizard, you are ready to use your camera. The camera's built-in Web configuration utility is designed to allow you to easily access and configure your DCS-2332L. At the end of the wizard, enter the IP address of your camera into a web browser, such as Mozilla Firefox. To log in, use the User name **admin** and the password you created in the Installation Wizard. If you did not create a password, the default password is blank. After entering your password, click **OK**.









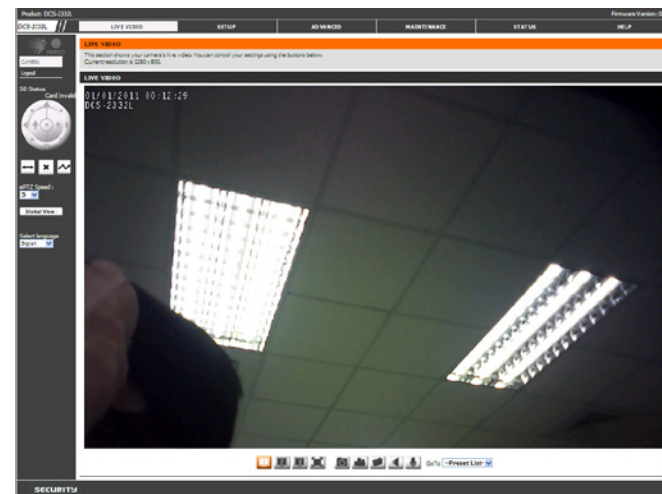
Live Video

This section shows your camera's live video. You may select any of the available icons listed below to operate the camera. You may also select your language using the drop-down menu on the left side of the screen.

You can zoom in and out on the live video image using your mouse. Right-click to zoom out or left-click to zoom in on the image.

SD Status: This option displays the status of the SD card. If no SD card has been inserted, this screen will display the message "Card Invalid."










	Motion Trigger Indicator	This indicator will change color when a trigger event occurs. Note: The video motion feature for your camera must be enabled.
	Recording Indicator	When a recording is in progress, this indicator will change color.
	Control Pad	This control pad can be used to electronically pan, tilt, and zoom (ePTZ) within the camera's predefined view area, if one has been defined.
	Auto Pan	Starts the automatic panning function. The ROI will pan from back and forth within the FOV
	Stop	Stops the camera ePTZ motion
	Preset Path	Starts the camera's motion along the predefined path



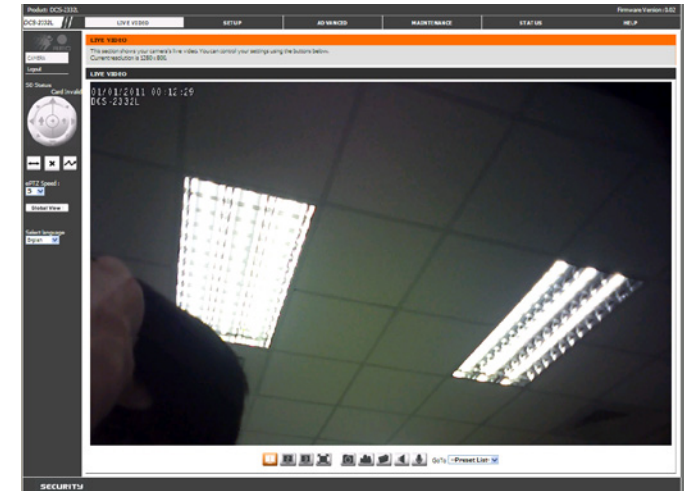
ePTZ Speed: You may select a value between 0 and 64. 0 is the slowest and 64 is the fastest.

Global View: This window indicates the total field of view (FOV) of the camera. The red box indicates the visible region of interest (ROI).

Language: You may select the interface language using this menu.

- | | |
|---|--|
|  Video Profile 1 |  Record a Video Clip |
|  Video Profile 2 |  Set a Storage Folder |
|  Video Profile 3 |  Listen/Stop Audio In (from microphone) |
|  Full screen mode |  Start/Stop Audio Out (to speaker) |
|  Taking a Snapshot | |

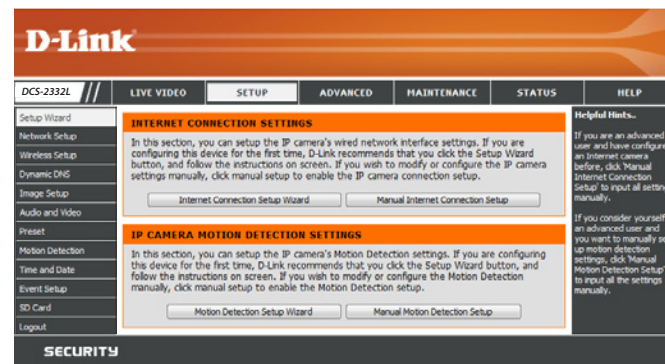
Go To: If any presets have been defined, selecting a preset from this list will (**Preset List**) display it.



Setup Setup Wizard

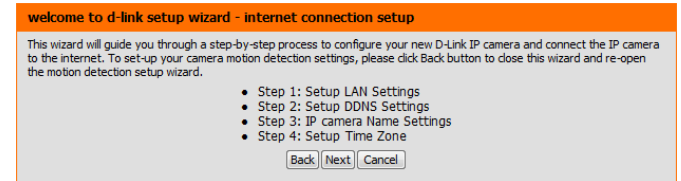
To configure your Network Camera, click **Internet Connection Setup Wizard**. Alternatively, you may click **Manual Internet Connection Setup** to manually configure your Network Camera and skip to "Network Setup" on page 33.

To quickly configure your Network Camera's motion detection settings, click **Motion Detection Setup Wizard**. If you want to enter your settings without running the wizard, click **Manual Motion Detection Setup** and skip to "Motion Detection" on page 44.



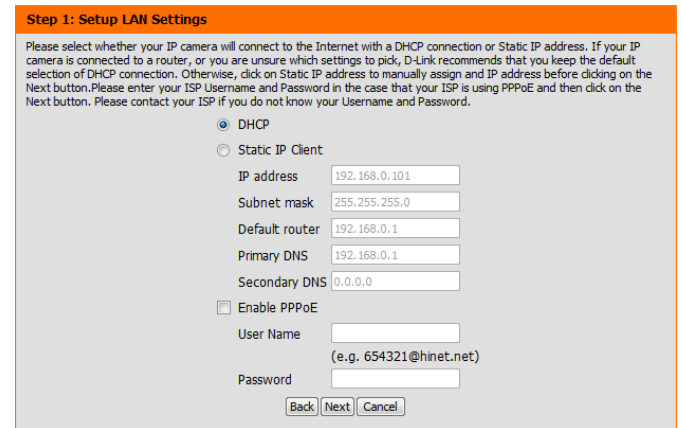
Internet Connection Setup Wizard

This wizard will guide you through a step-by-step process to configure your new D-Link Camera and connect the camera to the internet. Click **Next** to continue.



Note: Select DHCP if you are unsure of which settings to choose.

Click **Next** to continue.



Select **Static IP** if your Internet Service Provider has provided you with connection settings, or if you wish to set a static address within your home network. Enter the correct configuration information and click **Next** to continue.

If you are using PPPoE, select **Enable PPPoE** and enter your user name and password, otherwise click **Next** to continue.

If you have a Dynamic DNS account and would like the camera to update your IP address automatically, Select **Enable DDNS** and enter your host information. Click **Next** to continue.

Enter a name for your camera and click **Next** to continue.

Step 1: Setup LAN Settings

Please select whether your IP camera will connect to the Internet with a DHCP connection or Static IP address. If your IP camera is connected to a router, or you are unsure which settings to pick, D-Link recommends that you keep the default selection of DHCP connection. Otherwise, click on Static IP address to manually assign and IP address before clicking on the Next button. Please enter your ISP Username and Password in the case that your ISP is using PPPoE and then click on the Next button. Please contact your ISP if you do not know your Username and Password.

DHCP
 Static IP Client

IP address
Subnet mask
Default router
Primary DNS
Secondary DNS

Enable PPPoE
User Name
(e.g. 654321@hinet.net)
Password

Step 2: Setup DDNS Settings

If you have a Dynamic DNS account and would like the IP camera to update your IP address automatically, enable DDNS and enter in your host information below. Please click on the Next button to continue.

Enable DDNS

Server Address <<

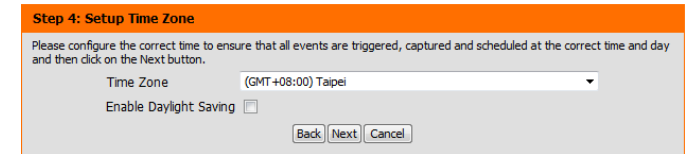
Host Name
User Name
Password
Verify Password
Timeout (hours)

Step 3: IP camera Name Settings

D-Link recommends that you rename your IP camera for easy accessibility. You can then identify and connect to your IP camera via this name. Please assign a name of your choice before clicking on the Next button.

IP camera Name

Configure the correct time to ensure that all events will be triggered as scheduled. Click **Next** to continue.



Step 4: Setup Time Zone

Please configure the correct time to ensure that all events are triggered, captured and scheduled at the correct time and day and then click on the Next button.

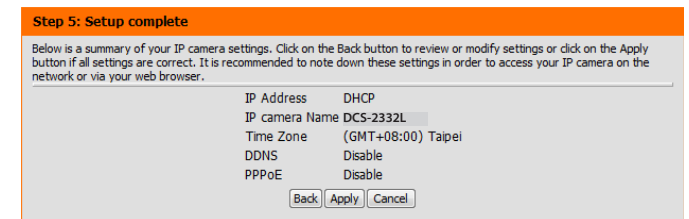
Time Zone (GMT+08:00) Taipei

Enable Daylight Saving

Back Next Cancel

If you have selected DHCP, you will see a summary of your settings, including the camera's IP address. Please write down all of this information as you will need it in order to access your camera.

Click **Apply** to save your settings.



Step 5: Setup complete

Below is a summary of your IP camera settings. Click on the Back button to review or modify settings or click on the Apply button if all settings are correct. It is recommended to note down these settings in order to access your IP camera on the network or via your web browser.

IP Address	DHCP
IP camera Name	DCS-2332L
Time Zone	(GMT+08:00) Taipei
DDNS	Disable
PPPoE	Disable

Back Apply Cancel

Motion Detection Setup Wizard

This wizard will guide you through a step-by-step process to configure your camera's motion detection functions.

Click **Next** to continue.

Step 1

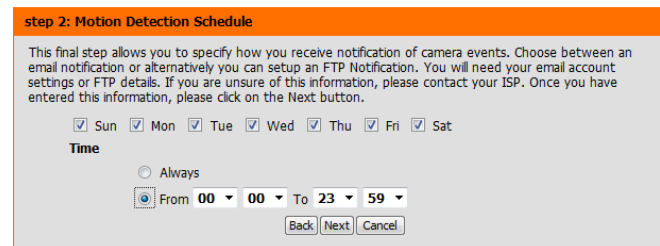
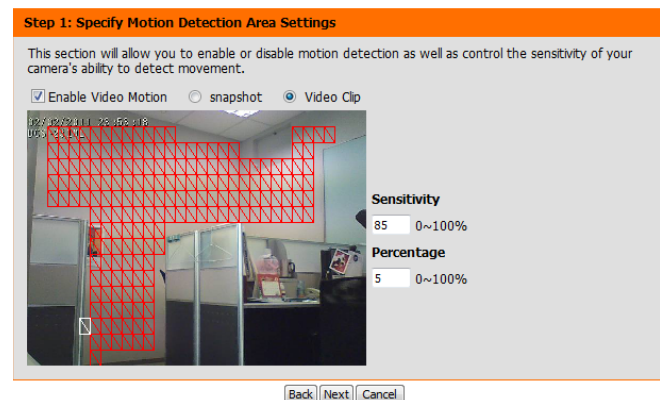
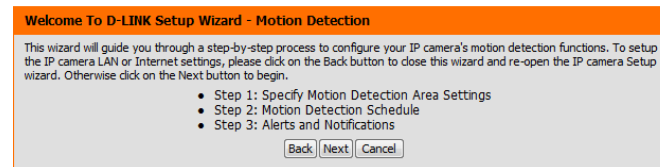
This step will allow you to enable or disable motion detection, specify the detection sensitivity, and adjust the camera's ability to detect movement.

You may specify whether the camera should capture a snapshot or a video clip when motion is detected.

Please see "**Motion Detection**" on page 44 for information about how to configure motion detection.

Step 2

This step allows you to enable motion detection based on a customized schedule. Specify the day and hours. You may also choose to always record motion.



Step 3

This step allows you to specify how you will receive event notifications from your camera. You may choose not to receive notifications, or to receive notifications via e-mail or FTP.

Please enter the relevant information for your e-mail or FTP account.

Click **Next** to continue.

Step 3: Alerts and Notification

This final step allows you to specify how you receive notification of camera events. Choose between an email notification or alternatively you can setup an FTP Notification. You will need your email account settings or FTP details. If you are unsure of this information, please contact your ISP. Once you have entered this information, please click on the Next button.

Do not notify me

Email

Sender email address

Recipient email address

Server address

User name

Password

Port

FTP

Server address

Port

User name

Password

Remote folder name

Step 4

You have completed the Motion Detection Wizard.

Please verify your settings and click **Apply** to save them.

Step 4: Setup Complete

You have completed your IP camera setup. Please click the Back button if you want to review or modify your settings or click on the Apply button to save and apply your settings.

Motion Detection : Disable

EVENT : Video Clip

Schedule Day : Sun ,Mon ,Tue ,Wed ,Thu ,Fri ,Sat ,

Schedule Time : From0:0To23:59

Alerts and Notification : Email

Please wait a few moments while the camera saves your settings and restarts.

Step 4: Setup Complete

You have completed your IP camera setup. Please click the Back button if you want to review or modify your settings or click on the Apply button to save and apply your settings.

Changes saved.IP camera's network is restarting, please wait for 6 seconds ...

Network Setup

Use this section to configure the network connections for your camera. All relevant information must be entered accurately. After making any changes, click the **Save Settings** button to save your changes.

LAN Settings: This section lets you configure settings for your local area network.

DHCP: Select this connection if you have a DHCP server running on your network and would like your camera to obtain an IP address automatically.

If you choose DHCP, you do not need to fill out the IP address settings.

Static IP Address: You may obtain a static or fixed IP address and other network information from your network administrator for your camera. A static IP address may simplify access to your camera in the future.

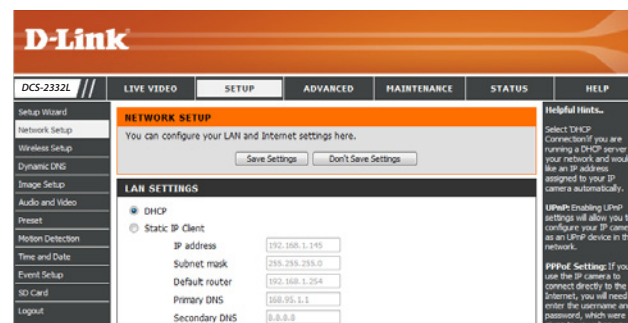
IP Address: Enter the fixed IP address in this field.

Subnet Mask: This number is used to determine if the destination is in the same subnet. The default value is 255.255.255.0.

Default router: The gateway used to forward frames to destinations in a different subnet. Invalid gateway settings may cause the failure of transmissions to a different subnet.

Primary DNS: The primary domain name server translates names to IP addresses.

Secondary DNS: The secondary DNS acts as a backup to the primary DNS.



Enable UPnP Presentation: Enabling this setting allows your camera to be configured as a UPnP device on your network.

Enable UPnP Port Forwarding: Enabling this setting allows the camera to add port forwarding entries into the router automatically on a UPnP capable network.

Enable PPPoE: Enable this setting if your network uses PPPoE.

User Name / Password: Enter the username and password for your PPPoE account. Re-enter your password in the Confirm Password field. You may obtain this information from your ISP.

HTTP Port: The default port number is 80.

Access Name for Stream 1~3: The default name is video#.mjpg, where # is the number of the stream.

HTTPS Port: You may use a PC with a secure browser to connect to the HTTPS port of the camera. The default port number is 443.

Authentication: Depending on your network security requirements, the Network Camera provides three types of security settings for streaming via RTSP protocol: disable and digest. If digest authentication is selected, user credentials are encrypted using MD5 algorithm, thus providing better protection against unauthorized access.

RTSP Port: The port number that you use for RTSP streaming to mobile devices, such as mobile phones or PDAs. The default port number is 554. You may specify the address of a particular stream. For instance, live1.sdp can be accessed at rtsp://x.x.x.x/video1.sdp where the x.x.x.x represents the ip address of your camera.

Access name for stream 1 ~ 3: This Network Camera supports multiple streams simultaneously. The access name is used to differentiate the streaming source (video profile).

<input checked="" type="checkbox"/>	Enable UPnP presentation
<input type="checkbox"/>	Enable UPnP port forwarding
Forwarding Port	<input type="text" value="1024"/> <input type="button" value="Test"/>
Forwarding Status	UPnP forwarding is inactive

PPPOE SETTINGS	
<input type="radio"/>	Enable
<input checked="" type="radio"/>	Disable
User Name	<input type="text"/>
Password	<input type="text"/>
Confirm password	<input type="text"/>
PPPoE Status	PPPoE is inactive.

HTTP	
HTTP port	<input type="text" value="80"/>
Access name for stream1	<input type="text" value="video1.mjpg"/>
Access name for stream2	<input type="text" value="video2.mjpg"/>
Access name for stream3	<input type="text" value="video3.mjpg"/>

HTTPS	
HTTPS port	<input type="text" value="443"/>

RTSP	
Authentication	<input type="text" value="Disable"/>
RTSP port	<input type="text" value="554"/>
Access name for stream1	<input type="text" value="live1.sdp"/>
Access name for stream2	<input type="text" value="live2.sdp"/>
Access name for stream3	<input type="text" value="live3.sdp"/>

COS SETTING: Enabling the Class of Service setting implements a best-effort policy without making any bandwidth reservations.

QOS SETTING: Enabling QoS allows you to specify a traffic priority policy to ensure a consistent Quality of Service during busy periods. If the Network Camera is connected to a router that itself implements QoS, the router's settings will override the QoS settings of the camera.

IPV6: Enable the IPV6 setting to use the IPV6 protocol. Enabling the option allows you to manually set up the address, specify an optional IP address, specify an optional router and an optional primary DNS.

MULTICAST The DCS-2332L allows you to multicast each of the available streams via group address and specify the TTL value for each stream. Enter the port and TTL settings you wish to use if you do not want to use the defaults.

COS SETTINGS

Enable CoS

VLAN ID [0~4095]

Live video

Live audio

Event/Alarm

Management

QOS SETTINGS

Enable QoS

Live video

Live audio

Event/Alarm

Management

IPV6

Enable IPv6

Manually setup the IP address

Optional IP address / Prefix length /

Optional default router

Optional primary DNS

MULTICAST

Enable multicast for stream 1

Multicast group address

Multicast video port

Multicast RTCP video port

Multicast audio port

Multicast RTCP audio port

Multicast TTL [1~255]

Enable multicast for stream 2

Multicast group address

Multicast video port

Multicast RTCP video port

Multicast audio port

Multicast RTCP audio port

Multicast TTL [1~255]

Enable multicast for stream 3

Multicast group address

Multicast video port

Multicast RTCP video port

Multicast audio port

Multicast RTCP audio port

Multicast TTL [1~255]

Wireless Setup

This section allows you to set up and configure the wireless settings on your camera. After making any changes, click the **Save Settings** button to save your changes.

Site Survey: Click the **Rescan** button to scan for available wireless networks. After scanning, you can use the drop-down box to select an available wireless network. The related information (SSID, Wireless Mode, Channel, Authentication, Encryption) will be automatically filled in for you.

SSID: Enter the SSID of the wireless access point you wish to use.

Wireless Mode: Use the drop-down box to select the mode of the wireless network you wish to connect to. Infrastructure is normally used to connect to an access point or router. Ad-Hoc is usually used to connect directly to another computer.

Channel: If you are using Ad Hoc mode, select the channel of the wireless network you wish to connect to, or select Auto.

Authentication: Select the authentication you use on your wireless network - Open, Shared, WPA-PSK, or WPA2-PSK.

Encryption: If you use WPA-PSK or WPA2-PSK authentication, you will need to specify whether your wireless network uses TKIP or AES encryption. If you use Open or Shared authentication, WEP encryption should be the setting.

Key: If you use WEP, WPA-PSK, or WPA2-PSK authentication, enter the Key (also known as password) used for your wireless network.



Dynamic DNS

DDNS (Dynamic Domain Name Server) will hold a DNS host name and synchronize the public IP address of the modem when it has been modified. A user name and password are required when using the DDNS service. After making any changes, click the **Save Settings** button to save your changes.

Enable DDNS: Select this checkbox to enable the DDNS function.

Server Address: Select your Dynamic DNS provider from the pull down menu or enter the server address manually.

Host Name: Enter the host name of the DDNS server.

User Name: Enter the user name or e-mail used to connect to your DDNS account.

Password: Enter the password used to connect to your DDNS server account.

Timeout: Enter the DNS timeout values you wish to use.

Status: Indicates the connection status, which is automatically determined by the system.

The screenshot shows the D-Link web interface for the DCS-2332L device. The main content area is titled 'DYNAMIC DNS' and contains the following information:

- Enable DDNS:** A checkbox that is currently checked.
- Server Address:** A dropdown menu with 'www.dlinkdns.com' selected.
- Host Name:** An empty text input field.
- User Name:** An empty text input field.
- Password:** An empty text input field.
- Verify Password:** An empty text input field.
- Timeout:** A text input field containing '24' followed by '(hours)'.
- Status:** A dropdown menu with 'Inactive' selected.

Below the settings are two buttons: 'Save Settings' and 'Don't Save Settings'. A 'Helpful Hints...' sidebar on the right explains that Dynamic DNS is useful for users with DSL or Cable service providers that change their modem IP address periodically, and it allows for assigning a website domain name to the IP camera instead of connecting through an IP address.

Image Setup

In this section, you may configure the video image settings for your camera. A preview of the image will be shown in Live Video.

Enable Privacy Mask: The Privacy Mask setting allows you to specify up to 3 rectangular areas on the camera's image to be blocked/excluded from recordings and snapshots.

You may click and drag the mouse cursor over the camera image to draw a mask area. Right clicking on the camera image brings up the following menu options:

Disable All: Disables all mask areas

Enable All: Enables all mask areas

Reset All: Clears all mask areas.

Anti Flicker: If the video flickers, try enabling this setting.

Mirror: This will mirror the image horizontally.

Flip: This will flip the image vertically. When turning Flip on, you may want to consider turning Mirror on as well.

Power Line: Select the frequency used by your power lines to avoid interference or distortion.

White Balance: Use the drop-down box to change white balance settings to help balance colors for different environments. You can choose from Auto, Outdoor, Indoor, Fluorescent, and Push Hold.

D-Link

DCS-2332L // LIVE VIDEO SETUP ADVANCED MAINTENANCE STATUS HELP

Setup Wizard
Network Setup
Wireless Setup
Dynamic DNS
Image Setup
Audio and Video
Preset
Motion Detection
Time and Date
Event Setup
SD Card
Logout

IMAGE SETUP
Changes to your IP camera settings are made immediately.

LIVE VIDEO

Enable Privacy Mask Setting

IMAGE SETTINGS

Anti Flicker On Off
 Mirror On Off
 Flip On Off
 Power Line 60 Hz 50 Hz
 White Balance
 Exposure Mode Max Gain dB
 Denoise
 Brightness
 Contrast
 Saturation
 Sharpness

Helpful Hints:

Privacy Mask: Click the attached box to activate this function. Now use your mouse to draw a rectangle covering the area you want hidden. Click the box again to deactivate the function.

Anti Flicker: This feature will help to offset the interference of the lighting system and avoid the image flicker issue. Click the box to activate the function when it is necessary.

Mirror: This function horizontally reverses your images 180 degrees.

Flip: This function vertically reverses your images 180 degrees.

Power Line: This setting is used to remove 50/60 Hz flicker.

White Balance: White balance is the process of removing unrealistic color casts, so that objects which appear white in person are rendered white in your photo.

Exposure Mode: Exposure is the total amount of light allowed to fall on the image sensor during the process of capturing an image. You may choose different scene modes to produce the better images.

Max Gain: It can always be enabled automatically, but you have an option you can change Max Gain either automatically or manually.

Denoise: It is the process of removing noise from a signal.

Brightness: It is used to compensate for backlight scenes.

Contrast: It may help to improve the image under a dull grey sky.

Saturation: It controls the strength of color from black and white to bold colors.

Sharpness: Controls the amount of sharpening applied to the image.

SECURITY

Exposure Mode: Changes the exposure mode. Use the drop-down box to set the camera for Indoor, Outdoor, or Night environments, or to Moving to capture moving objects. The Low Noise option will focus on creating a high-quality picture without noise. You can also create 3 different custom exposure modes. The Max Gain setting will allow you to control the maximum amount of gain to apply to brighten the picture.

Denoise: This setting controls the amount of noise reduction that will be applied to the picture.

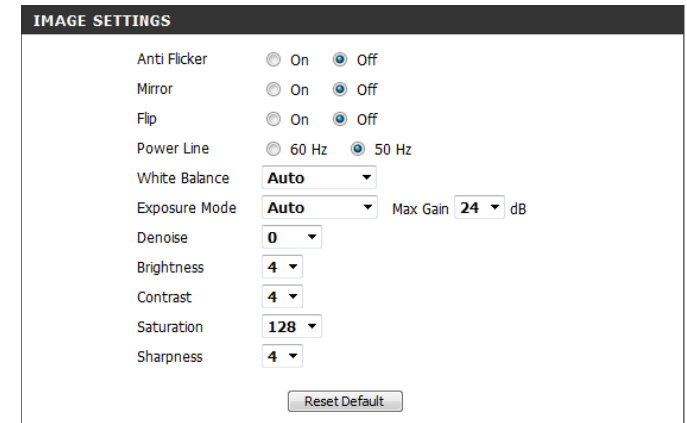
Brightness: Adjust this setting to compensate for backlit subjects.

Contrast: Adjust this setting to alter the color intensity/strength.

Saturation: This setting controls the amount of coloration, from grayscale to fully saturated.

Sharpness: Specify a value from 0 to 8 to specify how much sharpening to apply to the image.

Reset Default: Click this button to reset the image to factory default settings.



The screenshot shows the 'IMAGE SETTINGS' configuration panel. It includes the following settings:

- Anti Flicker: On Off
- Mirror: On Off
- Flip: On Off
- Power Line: 60 Hz 50 Hz
- White Balance: Auto (dropdown)
- Exposure Mode: Auto (dropdown) Max Gain: 24 dB (dropdown)
- Denoise: 0 (dropdown)
- Brightness: 4 (dropdown)
- Contrast: 4 (dropdown)
- Saturation: 128 (dropdown)
- Sharpness: 4 (dropdown)

A 'Reset Default' button is located at the bottom right of the panel.

Audio and Video

You may configure up to 3 video profiles with different settings for your camera. Hence, you may set up different profiles for your computer and mobile display. In addition, you may also configure the two-way audio settings for your camera. After making any changes, click the **Save Settings** button to save your changes.

Aspect ratio: Set the aspect ratio of the video to 4:3 standard or 16:9 widescreen.

Mode: Set the video codec to be used to JPEG, MPEG-4, or H.264.

Frame size / View window area: Frame size determines the total capture resolution, and View window area determines the Live Video viewing window size. If the Frame size is larger than the Live Video size, you can use the ePTZ controls to look around.

16:9 1280 x 800, 1280 x 720, 800 x 450,
640 x 360, 480 x 270, 320 x 176,
176 x 144

4:3 1024 x 768, 800 x 600, 640 x 480,
480 x 360, 320 x 240, 176 x 144

Note: If your View window area is the same as your Frame size, you will not be able to use the ePTZ function.

Maximum frame rate: A higher frame rate provides smoother motion for videos, and requires more bandwidth. Lower frame rates will result in stuttering motion, and requires less bandwidth.

The screenshot displays the D-Link web interface for the DCS-2332L camera. The main navigation tabs include LIVE VIDEO, SETUP, ADVANCED, MAINTENANCE, STATUS, and HELP. The current page is the 'AUDIO AND VIDEO' configuration page. It features a sidebar with navigation options like Setup Wizard, Network Setup, Wireless Setup, Dynamic DNS, Storage Setup, Audio and Video, Preset, Motion Detection, Time and Date, Event Setup, SD Card, and Logout. The main content area is titled 'AUDIO AND VIDEO' and contains several sections: 'VIDEO SETTINGS' (Aspect ratio: 16:9), 'VIDEO PROFILE 1' (Mode: H.264, Frame size: 1280x800, View window area: 1280x800, Maximum frame rate: 30, Video quality: Excellent), 'VIDEO PROFILE 2' (Mode: JPEG, Frame size: 640x360, View window area: 640x360, Maximum frame rate: 30, Video quality: Excellent), 'VIDEO PROFILE 3' (Mode: H.264, Frame size: 320x176, View window area: 320x176, Maximum frame rate: 30, Video quality: Excellent), and 'AUDIO SETTINGS' (Encoding: G.711, Audio in off, Audio in gain level: Medium, Audio out off, Audio out volume level: 10). A 'Warning' message is present regarding the aspect ratio change. The page concludes with 'Save Settings' and 'Don't Save Settings' buttons. A 'Helpful Hints...' sidebar on the right provides additional information about frame size, aspect ratio, and video quality.

Video Quality: This limits the maximum frame rate, which can be combined with the "Fixed quality" option to optimize the bandwidth utilization and video quality. If fixed bandwidth utilization is desired regardless of the video quality, choose "Constant bit rate" and select the desired bandwidth.

Constant bit rate: The bps will affect the bit rate of the video recorded by the camera. Higher bit rates result in higher video quality.

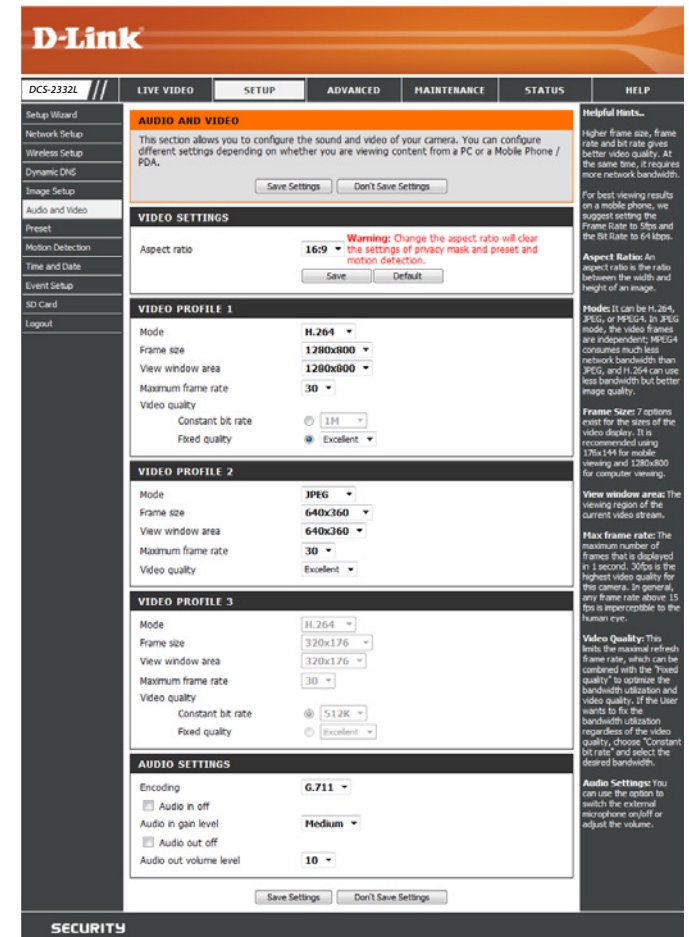
Fixed quality: Select the image quality level for the camera to try to maintain. High quality levels will result in increased bit rates.

Audio in off: Selecting this checkbox will mute incoming audio.

Audio in gain level: This setting controls the amount of gain applied to incoming audio to increase its volume.

Audio out off: Selecting this checkbox will mute outgoing audio.

Audio out volume level: This setting controls the amount of gain applied to outgoing audio to increase its volume.



Preset

This screen allows you to set preset points for the ePTZ function of the camera, which allows you to look around the camera's viewable area by using a zoomed view. Presets allow you to quickly go to and view a specific part of the area your camera is covering, and you can create preset sequences, which will automatically change the camera's view between the different presets according to a defined order and timing you can set.

Note: If your View window area is the same as your Frame size, you will not be able to use the ePTZ function.

Video Profile: This selects which video profile to use.

ePTZ Speed: You may select a value between 0 and 64. 0 is the slowest and 64 is the fastest.

Arrow Buttons and Home Button: Use these buttons to move to a specific part of the viewing area, which you can then set as a preset. Click the Home button to return to the center of the viewing area.

Input Preset Name: Enter the name of the preset you want to create, then click the **Add** button to make a new preset. If an existing preset has been selected from the Preset List, you can change its name by typing in a new name, then clicking the **Rename** button.

Preset List: Click this drop-down box to see a list of all the presets that have been created. You can select one, then click the **GoTo** button to change the displayed camera view to the preset. Clicking the **Remove** button will delete the currently selected preset.

Preset Sequence: This section allows you to create a preset sequence, which automatically moves the camera's view between a set of preset views.



Preset List: To add a preset to the sequence, select it from the drop-down box at the bottom of this window, set the **Dwell time** to determine how long the camera view will stay at that preset, then click the **Add** button. The preset name will appear in the list, followed by the dwell time to view that preset for.

You can rearrange your presets in the sequence by selecting a preset in the sequence, then clicking the arrow buttons to move it higher or lower in the current sequence.

Clicking the trash can button will remove the currently selected preset from the sequence.

If you want to change the dwell time for a preset, select it from the list, enter a new dwell time, then click the **Update** button.

The screenshot displays two main sections: **PRESET** and **PRESET SEQUENCE**.

PRESET Section:

- Input Preset Name: **Add** **Rename**
- Support(0-9,A-Z,a-z,-,*,/,_) (text in red)
- Preset List: --Preset List-- **GoTo** **Remove**

PRESET SEQUENCE Section:

- Preset Name : Dwell time
- List of presets: Entrance:10, Cubide:10, Back_Door:10
- Navigation buttons: Up arrow, Trash can, Down arrow
- Preset List: --Preset List-- **Add**
- Dwell time: 10 **Update** Second(s)[3-30]

Motion Detection

Enabling Video Motion will allow your camera to use the motion detection feature. You may draw a finite motion area that will be used for monitoring. After making any changes, click the **Save Settings** button to save your changes.

Enable Video Motion: Select this box to enable the motion detection feature of your camera.

Sensitivity: Specifies the measurable difference between two sequential images that would indicate motion. Please enter a value between 0 and 100.

Percentage: Specifies the amount of motion in the window being monitored that is required to initiate an alert. If this is set to 100%, motion is detected within the whole window will trigger a snapshot.

Draw Motion Area: Draw the motion detection area by dragging your mouse in the window (indicated by the red square).

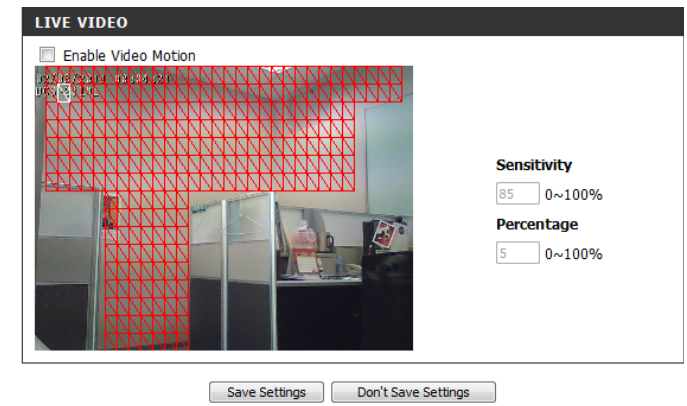
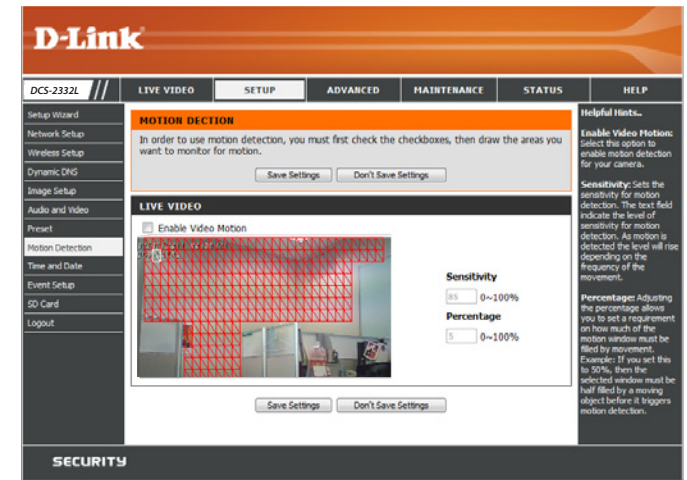
Erase Motion Area: To erase a motion detection area, simply click on the red square that you wish to remove.

Right clicking on the camera image brings up the following menu options:

Select All: Draws a motion detection area over the entire screen.

Clear All: Clears any motion detection areas that have been drawn.

Restore: Restores the previously specified motion detection areas.



Time and Date

This section allows you to automatically or manually configure, update, and maintain the internal system clock for your camera. After making any changes, click the **Save Settings** button to save your changes.

Time Zone: Select your time zone from the drop-down menu.

Enable Daylight Saving: Select this to enable Daylight Saving Time.

Auto Daylight Saving: Select this option to allow your camera to configure the Daylight Saving settings automatically.

Set Date and Time Manually: Selecting this option allows you to configure the Daylight Saving date and time manually.

Offset: Sets the amount of time to be added or removed when Daylight Saving is enabled.

Synchronize with NTP Server: Enable this feature to obtain time automatically from an NTP server.

NTP Server: Network Time Protocol (NTP) synchronizes the DCS-2332L with an Internet time server. Choose the one that is closest to your location.

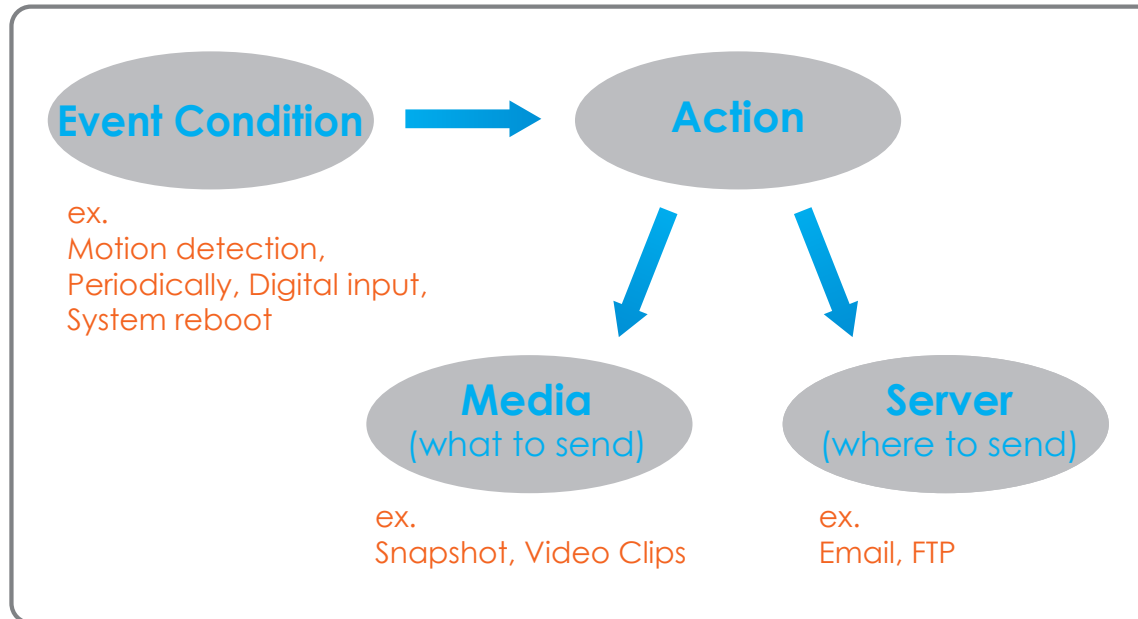
Set the Date and Time Manually: This option allows you to set the time and date manually.

Copy Your Computer's Time Settings: This will synchronize the time information from your PC.



Event Setup

In a typical application, when motion is detected, the DCS-2332L sends images to a FTP server or via e-mail as notifications. As shown in the illustration below, an event can be triggered by many sources, such as motion detection or external digital input devices. When an event is triggered, a specified action will be performed. You can configure the Network Camera to send snapshots or videos to your e-mail address or FTP site.



To start plotting an event, it is suggested to configure server and media columns first so that the Network Camera will know what action shall be performed when a trigger is activated.

The Event Setup page includes 4 different sections.

- Event
- Server
- Media
- Recording

1. To add a new item - "event, server or media," click **Add**. A screen will appear and allow you to update the fields accordingly.
2. To delete the selected item from the pull-down menu of event, server or media, click **Delete**.
3. Click on the item name to pop up a window for modifying.

D-Link

DCS-2332L // LIVE VIDEO SETUP ADVANCED MAINTENANCE STATUS HELP

Setup Wizard
Network Setup
Wireless Setup
Dynamic DNS
Image Setup
Audio and Video
Preset
Motion Detection
Time and Date
Event Setup
SD Card
Logout

EVENT SETUP

There are four sections in Event Setup page. They are event, server, media and recording. Click Add to pop a window to add a new item of event, server, media or recording. Click Delete to delete the selected item from event, server, media or recording. Click on the item name to pop a window to edit it. There can be at most 2 events and 1 recording. There can be at most 5 server and 5 media configurations.

SERVER

Name	Type	Address/Location
<input type="button" value="Add"/>	<input type="button" value="Delete"/>	

MEDIA

Media freespace: 6700KB

Name	Type	Source
<input type="button" value="Add"/>	<input type="button" value="Delete"/>	

EVENT

Name	Status	Sun	Mon	Tue	Wed	Thu	Fri	Sat	Time	Trigger
<input type="button" value="Add"/>	<input type="button" value="Delete"/>									

RECORDING

Name	Status	Sun	Mon	Tue	Wed	Thu	Fri	Sat	Time	Source	Destination
<input type="button" value="Add"/>	<input type="button" value="Delete"/>										

Helpful Hints...
Suggest setting server and media first before setting event. The servers and media which selected in event list will not be able to modify or delete. Please remove them first from the event if you want to delete or modify them. Recommend using different media in different event to make use all media be produced and received correctly. If using the same media in different events and the events trigger almost simultaneously, the servers in the second triggered event will not receive any media, there would be only notifications.

SECURITY

Add Server

You can configure up to 5 servers to save snapshots and/or video to. After making any changes, click the **Save Settings** button to save your changes.

Server Name: Enter the unique name of your server.

E-mail: Enter the configuration for the target e-mail server account.

FTP: Enter the configuration for the target FTP server account.

Network Storage: Specify a network storage device. Only one network storage device is supported.

SD Card: Use the camera's onboard SD card storage.

D-Link

DCS-2332L // LIVE VIDEO SETUP ADVANCED MAINTENANCE STATUS HELP

SERVER

You can set at most 5 different servers here for different event.

Test Save Settings Don't Save Settings

SERVER TYPE

Server Name: _____

Email

Sender email address _____

Recipient email address _____

Server address _____

User name _____

Password _____

Port 25

This server requires a secure connection (StartTLS)

FTP

Server address _____

Port 21

User name _____

Password _____

Remote folder name _____

Passive mode

Network storage

Network storage location _____
(for example: \\my_nas/dsk/folder)

Workgroup _____

User name _____

Password _____

Primary WINS server _____

SD Card

Test Save Settings Don't Save Settings

Helpful Hints...

Server name: The unique name for server. There are four kinds of servers supported. They are email server, FTP server, HTTP server and network storage.

Email server: "Sender email address" The email address of the sender. "Recipient email address" The email address of the recipient.

FTP server: "Remote folder name" Granted folder on the external FTP server. The string must conform to that of the external FTP server. Some FTP servers cannot accept preceding slash symbol before the path without virtual path mapping. Refer to the instructions for the external FTP server for details. The folder privilege must be open for upload. "Passive Mode" Check it to enable passive mode in transmission.

Network storage: Only one network storage is supported. "Network storage location" The path to upload the media. "Workgroup" The workgroup for network storage.

SD card: Use the SD card for recording media.

Add Media

There are three types of media, **Snapshot**, **Video Clip**, and **System Log**. After making any changes, click the **Save Settings** button to save your changes.

Media Name: Enter a unique name for media type you want to create.

Snapshot: Select this option to set the media type to snapshots.

Source: Set the video profile to use as the media source. Refer to "Audio and Video" on page 40 for more information on video profiles.

Send pre-event image(s) [0~4]: Set the number of pre-event images to take. Pre-event images are images taken before the main event snapshot is taken.

Send post-event image(s) [0~7]: Set the number of post-event images to take. Post-event images are images taken after the main event snapshot is taken. You can set up to 7 post-event images to be taken.

File name prefix: The prefix name will be added on the file name.

Add date and time suffix to file name: Check it to add timing information as file name suffix.

The screenshot shows the D-Link DCS-2332L web interface. The main content area is titled "MEDIA" and contains the following elements:

- A header message: "You can set at most 5 different media here for different event." with "Save Settings" and "Don't Save Settings" buttons.
- A "MEDIA TYPE" section with three radio buttons:
 - Snapshot: Includes a "Media name:" field, a "Source:" dropdown menu (set to "Profile 1"), "Send 1" pre-event image(s) [0~4] and "Send 1" post-event image(s) [0~7] fields, a "File Name Prefix:" field, and a checkbox for "Add date and time suffix to file name".
 - Video Clip: Includes a "Source:" dropdown menu (set to "Profile 1"), "Pre-event recording:" field (set to 0 seconds), "Maximum duration:" field (set to 100 seconds), "Maximum file size:" field (set to 5000 kbytes), and a "File Name Prefix:" field.
 - System log.
- "Save Settings" and "Don't Save Settings" buttons at the bottom.
- A sidebar on the left with navigation links: Setup Wizard, Network Setup, Wireless Setup, Dynamic DNS, Image Setup, Audio and Video, Preset, Motion Detection, Time and Date, Event Setup, SD Card, Logout.
- A "Helpful Hints..." section on the right with definitions for "Media name", "Snapshot", "Send Pre-event images", "Send Post-event images", "File name prefix", "Add date and time suffix to file name", "Video clip", "Pre-event recording", "Maximum duration", and "Maximum file size".
- A "SECURITY" section at the bottom of the page.

Video clip: Select this option to set the media type to video clips.

Source: Set the video profile to use as the media source. Refer to "Audio and Video" on page 46 for more information on video profiles.

Pre-event recording: This sets how many seconds to record before the main event video clip starts. You can record up to 4 seconds of pre-event video.

Maximum duration: Set the maximum length of video to record for your video clips.

Maximum file size: Set the maximum file size to record for your video clips.

File name prefix: This is the prefix that will be added to the filename of saved video clips.

System log: Select this option to set the media type to system logs. This will save the event to the camera system log, but will not record any snapshots or video.



Add Event

Create and schedule up to 2 events with their own settings here. After making any changes, click the **Save Settings** button to save your changes.

Event name: Enter a name for the event.

Enable this event: Select this box to activate this event.

Priority: Set the priority for this event. The event with higher priority will be executed first.

Delay: Select the delay time before checking the next event. It is being used for both events of motion detection and digital input trigger.

Trigger: Specify the input type that triggers the event.

Video Motion Detection: Motion is detected during live video monitoring. Select the windows that need to be monitored.

Periodic: The event is triggered in specified intervals. The trigger interval unit is in minutes.

System Boot: Triggers an event when the system boots up.

Network Lost: Triggers an event when the network connection is lost.

Passive Infrared Sensor: Triggers an event when the PIR sensor is activated by moving infrared objects even in dark environment.

D-Link

DCS-2332L // LIVE VIDEO SETUP ADVANCED MAINTENANCE STATUS HELP

EVENT

You can set at most 2 events like motion detection or digital input trigger here and arrange the detection schedule at the same time.

Save Settings Don't Save Settings

EVENT

Event name:

Enable this event

Priority: normal

Delay for 10 seconds before detecting next event [For motion detection and digital input and Passive Infrared sensor]

TRIGGER

Video motion detection

Periodic

Trigger every 1 minutes

System boot

Network lost

Passive Infrared sensor

EVENT SCHEDULE

Sun Mon Tue Wed Thu Fri Sat

Time

Always

From 00:00 To 23:59

ACTION

Trigger D/O for 1 seconds

Server1

Attached media: Media1

Save Settings Don't Save Settings

Helpful Hints...

Priority: The event with higher priority will be executed first.

Delay second(s) before detecting next event: The delay to check next event. It is used in motion detection and digital input trigger type.

There are five kinds of trigger supported.

Video motion detection: Select the windows which need to be monitored.

Periodic: The event is triggered in specified intervals. The unit of trigger interval is minute.

Digital input: The event is triggered when the CI status changed by external device.

System boot: The event is triggered when the system boot up.

Network lost: The event is triggered when the network service is not available or disconnection.

Passive Infrared sensor: A passive infrared sensor device (PIR) measures infrared light from passing objects in its field of view. It can be worked as a trigger of event if this function enabled.

Sun ~ Sat: Select the days of the week to perform the event.

Time show "Always" or input the time interval.

The default action are triggering DO and storing media on SD card. If those are servers configured, the user can select them from "Server name" box.

Trigger DO: Check it to trigger digital output for specific seconds when event is triggered.

Note: Please Format SD card before use. The entire data in the SD card will be erased after formatting.

SECURITY

Time: Select **Always** or enter the time interval.

Server: Specify the location where the event information should be saved to.

The screenshot shows the D-Link DCS-2332L web interface. The top navigation bar includes 'LIVE VIDEO', 'SETUP', 'ADVANCED', 'MAINTENANCE', 'STATUS', and 'HELP'. The 'SETUP' tab is active, and the 'Recording' section is highlighted in orange. The left sidebar contains a menu with options: Setup Wizard, Network Setup, Wireless Setup, Dynamic DNS, Image Setup, Audio and Video, Preset, Motion Detection, Time and Date, Event Setup, SD Card, and Logout. The main content area is divided into several sections:

- RECORDING:** A header section with a sub-header 'RECORDING' and a description: 'You can setup schedule recording to network storage with your specify week day and time period.' It includes 'Save Settings' and 'Don't Save Settings' buttons.
- RECORDING:** A section for configuring a recording entry. It includes a 'Recording entry name' text field, an 'Enable this recording' checkbox, a 'Priority' dropdown menu (set to 'normal'), and a 'Source' dropdown menu (set to 'Profile 1').
- RECORDING SCHEDULE:** A section for setting the recording schedule. It features a row of checkboxes for days of the week (Sun, Mon, Tue, Wed, Thu, Fri, Sat), all of which are checked. Below this is a 'Time' section with radio buttons for 'Always' (selected), 'From' (with time pickers for 00:00 to 23:59), and 'To'.
- RECORDING SETTINGS:** A section for recording parameters. It includes a 'Destination' dropdown menu (set to 'None'), a 'Total cycling recording size' field (set to 1000 Mbytes), and two radio buttons for 'Size of each file for recording' (set to 10 Mbytes) and 'Time of each file for recording' (set to 10 seconds). It also has a 'File Name Prefix' text field and 'Save Settings' and 'Don't Save Settings' buttons.

On the right side, there is a 'Helpful Hints...' section with several notes:

- Recording:** Enable this option if you want to upload the recording to a shared folder on the network.
- Recording schedule:** Select the day(s) according to when you want the IP camera to make a video clip.
- Always:** This enables the IP camera to make video clips continuously.
- From:** The time range specified for the video clip.
- Total cycling recording size:** Please input the network path of your network storage, it will be like '192.168.1.100/record', if the network storage need authentication, please enter your user name and password here.
- Note:** Please Format SD card before use. The entire data in the SD card will be erased after formatting.

The bottom of the page has a 'SECURITY' header.

Add Recording

Here you can configure and schedule the recording settings. After making any changes, click the **Save Settings** button to save your changes.

Recording entry name: The unique name of the entry.

Enable this recording: Select this to enable the recording function.

Priority: Set the priority for this entry. The entry with a higher priority value will be executed first.

Source: The source of the stream.

Recording schedule: Scheduling the recording entry.

Recording settings: Configuring the setting for the recording.

Destination: Select the folder where the recording file will be stored.

Total cycling recording size: Please input a HDD volume between 1MB and 2TB for recording space. The recording data will replace the oldest record when the total recording size exceeds this value. For example, if each recording file is 6MB, and the total cyclical recording size is 600MB, then the camera will record 100 files in the specified location (folder) and then will delete the oldest file and create new file for cyclical recording.

Please note that if the free HDD space is not enough, the recording will stop. Before you set up this option please make sure your HDD has enough space, and it is better to not save other files in the same folder as recording files.



Size of each file for recording: If this is selected, files will be separated based on the file size you specify.

Time of each file for recording: If this is selected, files will be separated based on the maximum length you specify.

File Name Prefix: The prefix name will be added on the file name of the recording file(s).



SD Card

Here you may browse and manage the recorded files which are stored on the SD card.

Format SD Card: Click this icon to automatically format the SD card and create "picture" & "video" folders.

View Recorded Picture: If the picture files are stored on the SD card, click on the picture folder and choose the picture file you would like to view.

Playback Recorded Video: If video files are stored on the SD card, click on the video folder and choose the video file you would like to view.

Refresh: Reloads the file and folder information from the SD card.

The screenshot shows the D-Link web interface for the DCS-2332L device. The main content area is titled "SD CARD" and contains the following information:

- SD Card: /
- Files per Page: 10 (with a Refresh button)
- SD Status: Ready
- Page: 1 of 1

<input type="checkbox"/> Delete	file	Num of files	Size
<input type="checkbox"/>	video	3	
<input type="checkbox"/>	picture	0	

At the bottom of the table, there is a "Format SD Card" button and a summary: "Total:1976528KB, Used:1976528KB, Free:0KB". An "OK" button is located below the table.

On the right side of the interface, there are "Helpful Hints" for formatting, viewing pictures, and playing back videos.

Advanced ICR and IR

Here you can configure the ICR and IR settings. An IR(Infrared) Cut-Removable(ICR) filter can be disengaged for increased sensitivity in low light environments.

Automatic: The Day/Night mode is set automatically. Generally, the camera uses Day mode and switches to Night mode when needed.

Day Mode: Day mode enables the IR Cut Filter.

Night Mode: Night mode disables the IR Cut Filter.

Schedule Mode: Set up the Day/Night mode using a schedule. The camera will enter Day mode at the starting time and return to Night mode at the ending time.

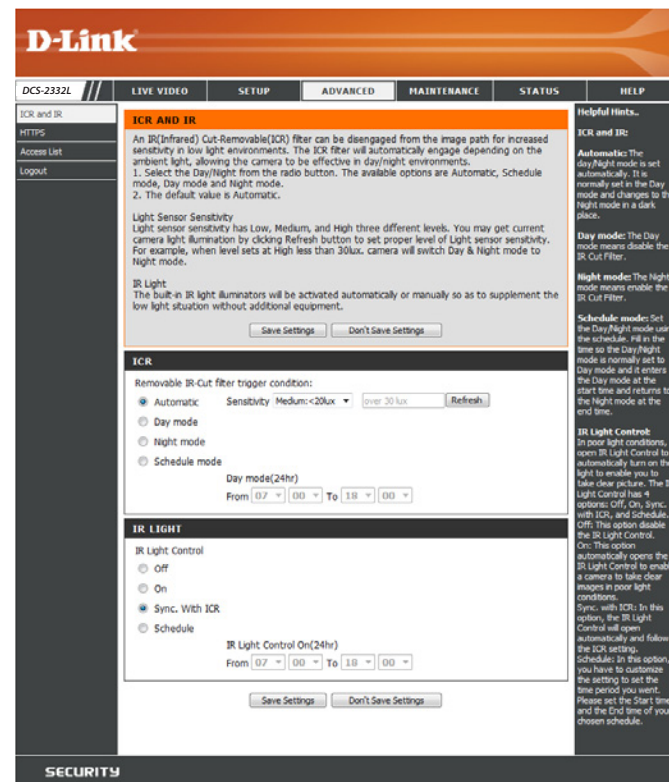
IR Light Control: The camera can enable or disable the IR (infrared) light according to your preferences. This setting provides additional controls depending on your specific application.

Off: The IR light will always be off.

On: The IR light will always be on.

Sync: The IR light will turn on when the ICR sensor is on.

Schedule: The IR light will turn on or off according to the schedule that you specify below.



HTTPS

This page allows you to install and activate an HTTPS certificate for secure access to your camera. After making any changes, click the **Save Settings** button to save your changes.

Enable HTTPS Secure Connection: Enable the HTTPS service.

Create Certificate Method: Choose the way the certificate should be created. Three options are available:

- Create a self-signed certificate automatically
- Create a self-signed certificate manually
- Create a certificate request and install

Status: Displays the status of the certificate.

Note: The certificate cannot be removed while the HTTPS is still enabled. To remove the certificate, you must first uncheck **Enable HTTPS secure connection**.

D-Link

DCS-2332L // LIVE VIDEO SETUP ADVANCED MAINTENANCE STATUS HELP

ICR and IR
HTTPS
Access List
Logout

HTTPS

To enable HTTPS, you have to create and install certificate first.

Save Settings Don't Save Settings

HTTPS

Enable HTTPS secure connection

Create certificate method

Create self-signed certificate automatically
 Create self-signed certificate manually
 Create certificate request and install

Create certificate: Create Private key existed

CERTIFICATE INFORMATION

Status	Active
Country	TW
State or province	Taiwan
Locality	Taipei
Organization	D-Link Taiwan
Organization Unit	R&D Dept.
Common Name	www.dlink.com.tw

CSR Property Certificate Property Remove

Save Settings Don't Save Settings

Helpful Hint...

Enable HTTPS secure connection allows you to enable HTTPS service.

Note: The certificate can't be removed while the HTTPS is still enable. To remove the certificate you have to uncheck the "Enable HTTPS secure connection" first.

Access List

Here you can set access permissions for users to view your DCS-2332L.

Allow list: The list of IP addresses that have the access right to the camera.

Start IP address: The starting IP Address of the devices (such as a computer) that have permission to access the video of the camera. Click **Add** to save the changes made.

Note: A total of seven lists can be configured for both columns.

End IP address: The ending IP Address of the devices (such as a computer) that have permission to access the video of the camera.

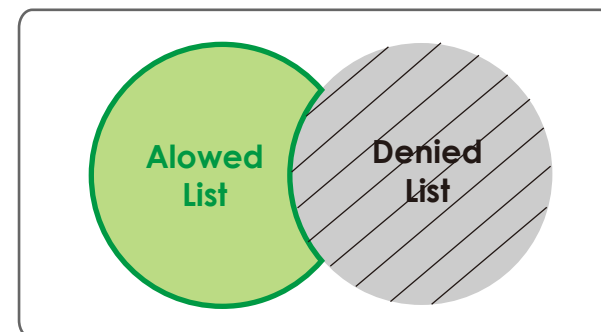
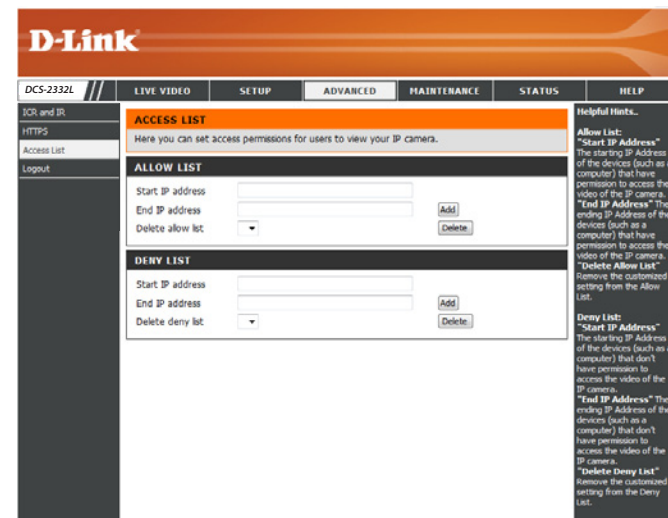
Delete allow list: Remove the customized setting from the Allow List.

Deny list: The list of IP addresses that have no access rights to the camera.

Delete deny list: Remove the customized setting from the Delete List.

For example:

When the range of the Allowed List is set from 1.1.1.0 to 192.255.255.255 and the range of the Denied List is set from 1.1.1.0 to 170.255.255.255. Only users with IPs located between 171.0.0.0 and 192.255.255.255 can access the Network Camera.



System

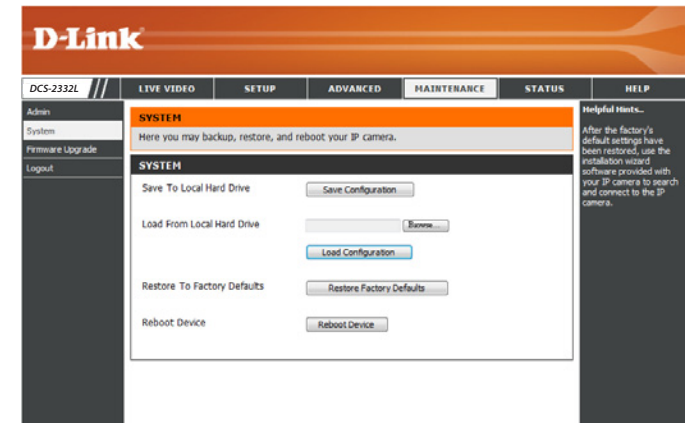
In this section, you may backup, restore and reset the camera configuration, or reboot the camera.

Save To Local Hard Drive: You may save your current camera configuration as a file on your computer.

Local From Local Hard Drive: Locate a pre-saved configuration by clicking **Browse** and then restore the pre-defined settings to your camera by clicking **Load Configuration**.

Restore to Factory Default: You may reset your camera and restore the factory settings by clicking **Restore Factory Defaults**.

Reboot Device: This will restart your camera.



Maintenance

Device Management

You may modify the name and administrator's password of your camera, as well as add and manage the user accounts for accessing the camera. You may also use this section to create a unique name and configure the OSD settings for your camera.

Admin Password Setting: Set a new password for the administrator's account.

Add User Account: Add new user account.

User Name: The user name for the new account.

Password: The password for the new account.

User List: All the existing user accounts will be displayed here. You may delete accounts included in the list, but you may want to reserve at least one as a guest account.

Camera Name: Create a unique name for your camera that will be added to the file name prefix when creating a snapshot or a video clip.

Enable OSD: Select this option to enable the On-Screen Display feature for your camera.

Label: Enter a label for the camera, which will be shown on the OSD when it is enabled.

Show Time: Select this option to enable the time-stamp display on the video screen.

Firmware Upgrade

The camera's current firmware version will be displayed on this screen. You may visit the D-Link Support Website to check for the latest available firmware version.

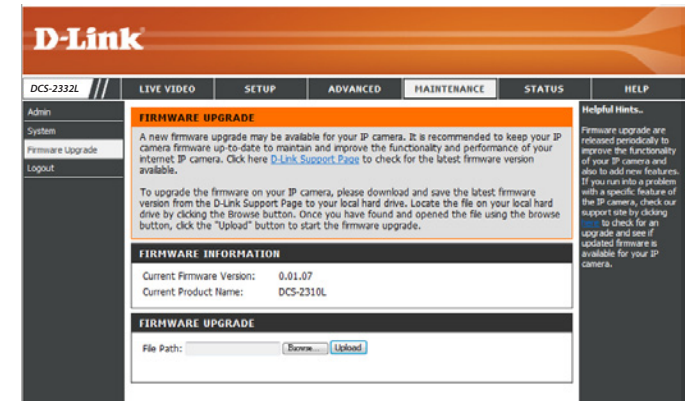
To upgrade the firmware on your DCS-2332L, please download and save the latest firmware version from the D-Link Support Page to your local hard drive. Locate the file on your local hard drive by clicking the **Browse** button. Select the file and click the **Upload** button to start upgrading the firmware.

Current Firmware Version: Displays the detected firmware version.

Current Product Name: Displays the camera model name.

File Path: Locate the file (upgraded firmware) on your hard drive by clicking **Browse**.

Upload: Uploads the new firmware to your camera.



Status

Device Info

This page displays detailed information about your device and network connection.

The screenshot shows the D-Link web interface for the DCS-2332L device. The top navigation bar includes links for LIVE VIDEO, SETUP, ADVANCED, MAINTENANCE, STATUS (selected), and HELP. The left sidebar contains links for Device Info (selected), Log, and Logout. The main content area is titled "DEVICE INFO" and contains a descriptive paragraph and a table of network information.

DCS-2332L // LIVE VIDEO SETUP ADVANCED MAINTENANCE **STATUS** HELP

Device Info
Log
Logout

DEVICE INFO

All of your network connection details are displayed on this page. The firmware version is also displayed here.

INFORMATION

IP camera Name	DCS-2332L
Time & Date	Thu Feb 3 00:09:11 2011
Firmware Version	0.01.07
MAC Address	F0:7D:68:0F:BB:2D
IP Address	192.168.0.101
IP Subnet Mask	255.255.255.0
Default Gateway	192.168.0.1
Primary DNS	192.168.0.1
Secondary DNS	0.0.0.0
PPPoE	Disable
DDNS	Disable
status info mydlink ver 2.0.15-b6	

Helpful Hints..

This page displays all the information about the IP camera and network settings.

Logs

This page displays the log information of your camera. You may download the information by clicking **Download**. You may also click **Clear** to delete the saved log information.

D-Link

DCS-2332L // LIVE VIDEO SETUP ADVANCED MAINTENANCE STATUS HELP

Device Info
Log
Logout

SYSTEM LOG
The system log records IP camera events that have occurred.

CURRENT LOG

1. 2011-02-03 00:06:52 SD CARD WAS REMOVED
2. 2011-02-03 00:06:29 SD CARD INITIALIZES FAILED
3. 2011-02-03 00:06:15 SD CARD WAS REMOVED
4. 2011-02-03 00:05:53 SD CARD INITIALIZES FAILED
5. 2011-02-03 00:00:51 admin FROM 192.168.0.100 TURN ON MASK AREA 2
6. 2011-02-03 00:00:51 admin FROM 192.168.0.100 TURN ON MASK AREA 3
7. 2011-02-03 00:00:51 admin FROM 192.168.0.100 TURN ON MASK AREA 1
8. 2011-02-02 23:56:30 admin FROM 192.168.0.100 SET EVENT SERVER 1 ; Name : Server1, Type : Email
9. 2011-02-02 23:56:30 admin FROM 192.168.0.100 SET EVENT MEDIA 1 ; Name : Media1, Type : Video Clip
10. 2011-02-02 23:56:30 admin FROM 192.168.0.100 SET MOTION BLOCK TABLE
11. 2011-02-02 23:56:30 admin FROM 192.168.0.100 SET EVENT TYPE 1 ; Trigger : Motion Detection
12. 2011-02-02 23:47:59 admin FROM 192.168.0.100 SET VIDEO CODEC Need Reset
13. 2011-02-02 23:47:59 admin FROM 192.168.0.100 SET PROFILE 1 Viewer window area 800x600
14. 2011-02-02 23:47:58 admin FROM 192.168.0.100 SET PROFILE 1 Frame Size 800x600
15. 2011-02-02 23:46:34 admin FROM 192.168.0.100 SET VIDEO CODEC Need Reset
16. 2011-02-02 23:46:34 admin FROM 192.168.0.100 SET ASPECT RATIO 4:3
17. 2011-02-02 23:43:36 admin LOGIN OK FROM 192.168.0.100
18. 2011-02-02 23:40:53 IP CAMERA ACQUIRE DHCP IP 192.168.0.101
19. 2011-02-02 23:40:48 SYSTEM SET IR LIGHT OFF
20. 2011-02-02 23:40:48 SYSTEM BOOTING

First Page Previous 20 Next 20
Clear Download

Helpful Hints..
You can save the log to your local hard IP camera by clicking the Download button, and you can clear the log by clicking on the Clear button.

Help

This page provides helpful information regarding camera operation.

The screenshot shows the D-Link DCS-2332L web interface. At the top is the D-Link logo. Below it is a navigation bar with tabs for LIVE VIDEO, SETUP, ADVANCED, MAINTENANCE, STATUS, and HELP. The HELP tab is selected. On the left side, there is a sidebar with 'Help' and 'Logout' links. The main content area is titled 'HELP' and contains a list of links for each menu item: LIVE VIDEO (Camera), SETUP (Setup Wizard, Network Setup, Dynamic DNS, Image Setup, Audio and Video, Preset, Motion Detection, Time and Date, Event Setup, SD Card), ADVANCED (DI and DO, ICR and IR, HTTPS, Access List), MAINTENANCE (Admin, System, Firmware Upgrade), and STATUS (Device Info, Log). At the bottom of the page, there is a 'SECURITY' section.

DCS-2332L	LIVE VIDEO	SETUP	ADVANCED	MAINTENANCE	STATUS	HELP
Help Logout	HELP <ul style="list-style-type: none">LIVE VIDEOSETUPMAINTENANCEADVANCEDSTATUS	LIVE VIDEO <ul style="list-style-type: none">Camera	SETUP <ul style="list-style-type: none">Setup WizardNetwork SetupDynamic DNSImage SetupAudio and VideoPresetMotion DetectionTime and DateEvent SetupSD Card	ADVANCED <ul style="list-style-type: none">DI and DOICR and IRHTTPSAccess List	MAINTENANCE <ul style="list-style-type: none">AdminSystemFirmware Upgrade	STATUS <ul style="list-style-type: none">Device InfoLog

SECURITY

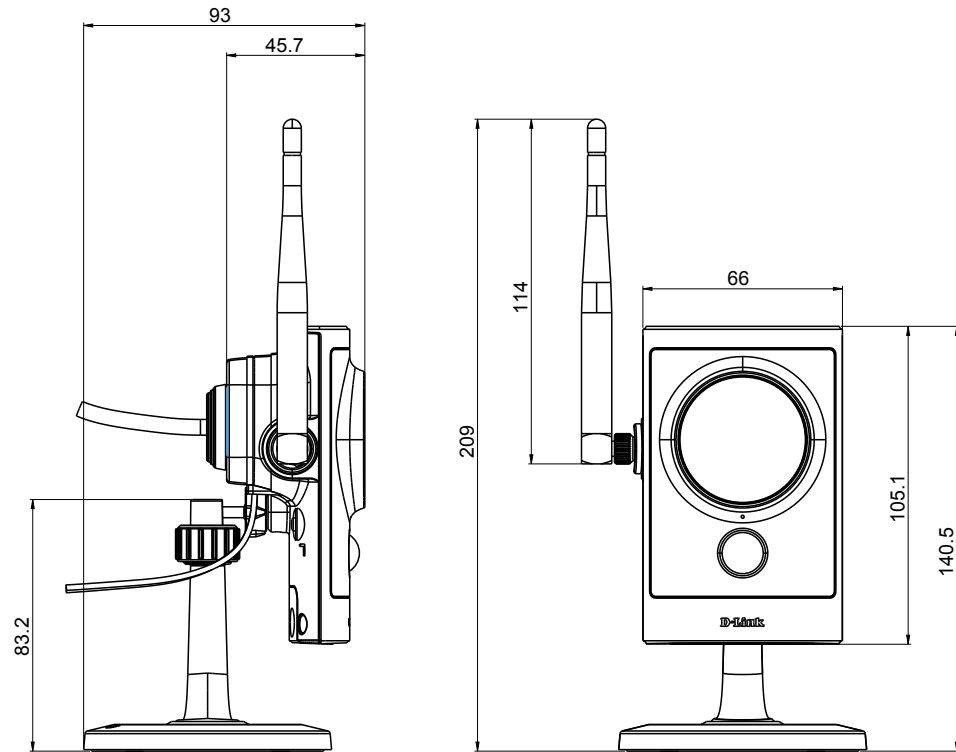
Technical Specifications

Camera	Camera Hardware Profile	<ul style="list-style-type: none"> ▪ 1/4" Megapixel progressive CMOS sensor ▪ 5 meter IR illumination distance ▪ Minimum illumination: 0 lux with IR LED on ▪ Built-in Infrared-Cut Removable (ICR) Filter module ▪ Built-in PIR sensor (5 meter) ▪ Built-in microphone and speaker 	<ul style="list-style-type: none"> ▪ 10x digital zoom ▪ Focal length: 3.45 mm ▪ Aperture: F2.0 ▪ Angle of view: <ul style="list-style-type: none"> ▪ (H) 57.8° ▪ (V) 37.8° ▪ (D) 66°
	Image Features	<ul style="list-style-type: none"> ▪ Configurable image size, quality, frame rate, and bit rate ▪ Time stamp and text overlays ▪ Configurable motion detection windows 	<ul style="list-style-type: none"> ▪ Configurable privacy mask zones ▪ Configurable shutter speed, brightness, saturation, contrast, and sharpness
	Video Compression	<ul style="list-style-type: none"> ▪ Simultaneous H.264/MPEG-4/MJPEG format compression ▪ H.264/MPEG-4 multicast streaming 	<ul style="list-style-type: none"> ▪ JPEG for still images
	Video Resolution	16:9 - 1280 x 800, 1280 x 720, 800 x 450, 640 x 360, 480 x 270, 320 x 176, 176 x 144	4:3 - 1024 x 768, 800 x 600, 640 x 480, 480 x 360, 320 x 240, 176 x 144
	Audio Support	G.726, G.711	
	External Device Interface	<ul style="list-style-type: none"> ▪ 10/100 BASE-TX Fast Ethernet port ▪ IEEE 802.11n 2.4GHz single band wireless 	<ul style="list-style-type: none"> ▪ MicroSD/SDHC card slot
Network	Network Protocols	IEEE 802.11n 2.4GHz single band wireless IPv6 IPv4 TCP/IP UDP ICMP DHCP client NTP client (D-Link) DNS client DDNS client (D-Link) SMTP client FTP client	HTTP / HTTPS Samba Client PPPoE UPnP port forwarding RTP / RTSP / RTCP IP filtering QoS CoS Multicast IGMP ONVIF compliant
	Security	<ul style="list-style-type: none"> ▪ Administrator and user group protection ▪ Password authentication 	<ul style="list-style-type: none"> ▪ HTTP and RTSP digest encryption

Appendix A: Technical Specifications

System Management	System Requirements for Web Interface	<ul style="list-style-type: none"> Operating System: Microsoft Windows 7/Vista/XP/2000 	<ul style="list-style-type: none"> Browser: Internet Explorer, Firefox, Chrome, Safari 	
	Event Management	<ul style="list-style-type: none"> Motion detection Event notification and uploading of snapshots/video clips via e-mail or FTP 	<ul style="list-style-type: none"> Supports multiple SMTP and FTP servers Multiple event notifications Multiple recording methods for easy backup 	
	Remote Management	<ul style="list-style-type: none"> Take snapshots/video clips and save to local hard drive or NAS via web browser 	<ul style="list-style-type: none"> Configuration interface accessible via web browser 	
	Mobile Support	Windows 7/Vista/XP system, Pocket PC, or mobile phone	mydlink mobile app for iOS and Android mobile devices	
	D-ViewCam™ System Requirements	<ul style="list-style-type: none"> Operating System: Microsoft Windows 7/Vista/XP Web Browser: Internet Explorer 7 or higher 	<ul style="list-style-type: none"> Protocol: Standard TCP/IP 	
	D-ViewCam™ Software Functions	<ul style="list-style-type: none"> Remote management/control of up to 32 cameras Viewing of up to 32 cameras on one screen 	<ul style="list-style-type: none"> Supports all management functions provided in web interface Scheduled motion triggered, or manual recording options 	
General	Weight	255 g		
	External Power Adaptor	Input: 100 to 240 V AC, 50/60 Hz	Output: 5 V DC, 1.2 A	
	Power Consumption	5.5 Watts		
	Temperature	Operating: -25 to 45 °C (-13 to 113 °F)	Storage: -20 to 70 °C (-4 to 158 °F)	
	Humidity	Operating: 20% to 80% non-condensing	Storage: 5% to 95% non-condensing	
	Certifications	CE CE LVD	FCC C-Tick IP65 IC	

Dimensions



Free Manuals Download Website

<http://myh66.com>

<http://usermanuals.us>

<http://www.somanuals.com>

<http://www.4manuals.cc>

<http://www.manual-lib.com>

<http://www.404manual.com>

<http://www.luxmanual.com>

<http://aubethermostatmanual.com>

Golf course search by state

<http://golfingnear.com>

Email search by domain

<http://emailbydomain.com>

Auto manuals search

<http://auto.somanuals.com>

TV manuals search

<http://tv.somanuals.com>