

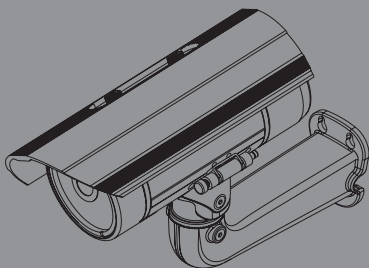


Quick Installation Guide

Full HD Day & Night Outdoor Network Camera

This document will guide you through the basic installation process for your new D-Link Network Camera.

DCS-7413



Quick Installation Guide

Quick Install Guide

This installation guide provides basic instructions for installing the Network Camera on your network. For additional information about how to use the camera, please see the User's Manual which is available on the CD included in this package or from the D-Link support website.

Installation Steps

1. Verify the package contents against the list below.
2. Hardware Overview
3. SD Card Installation
4. Hardware Installation
5. Configuration with Wizard

1. Package Contents

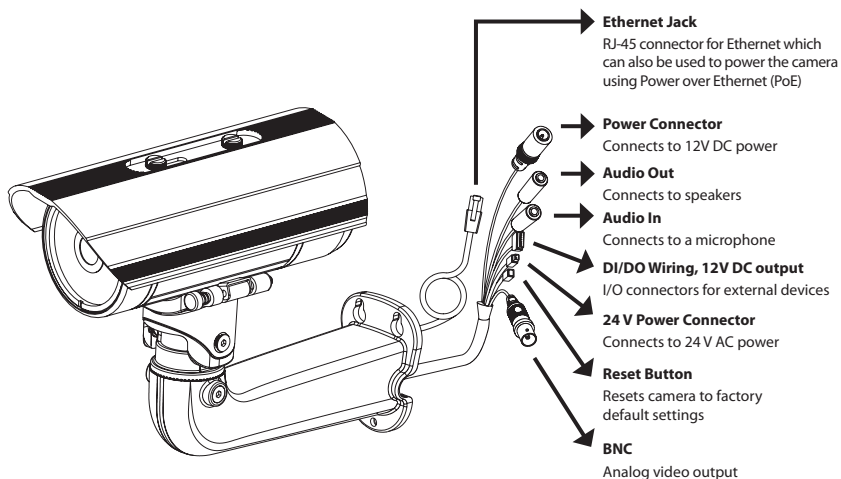
- DCS-7413 Network Camera
- Quick Install Guide
- Power Adapter
- AV & Power Cables
- CAT5 Ethernet Cable
- Extension Adapter
- Mounting Bracket and Screws
- Manual and Software on CD-ROM

If any of the above items are missing, please contact your reseller.

Safety Notice:

Installation and servicing should be done by certified technicians so as to conform to all local codes and prevent voiding your warranty.

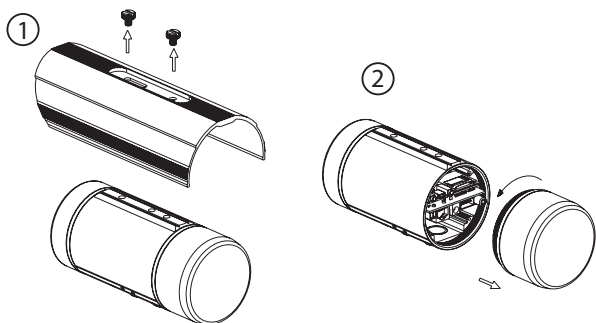
2. Hardware Overview



3. SD Card Installation

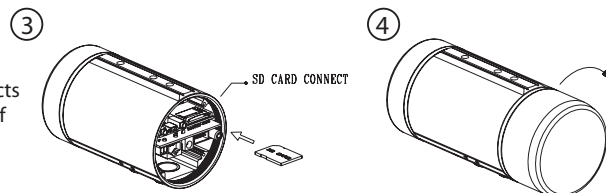
Disassemble the Camera

Open the camera by loosening the 2 screws.



Install the SD Card

Insert the SD card into the camera with the gold contacts oriented towards the base of the camera. To eject the SD card, push the SD card into the slot.



4. Mounting Instructions

Mounting Installation

Please refer to the User Manual for detailed instructions regarding installation and mounting of the camera using a mounting bracket.

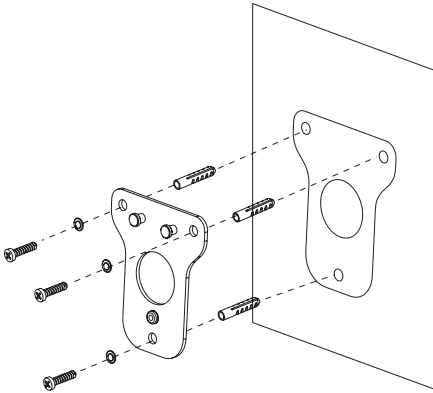


Figure 2.1

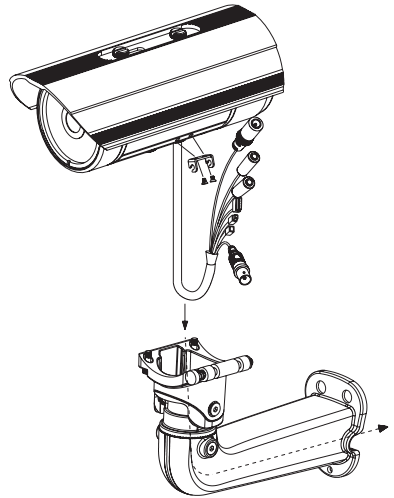


Figure 2.2

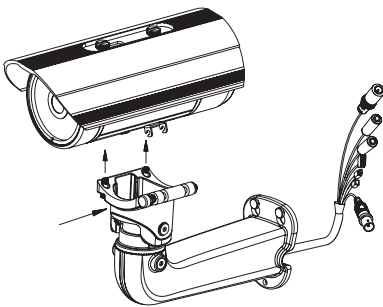


Figure 2.3

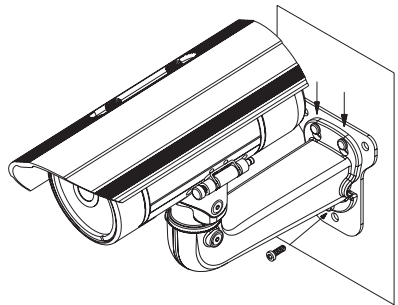
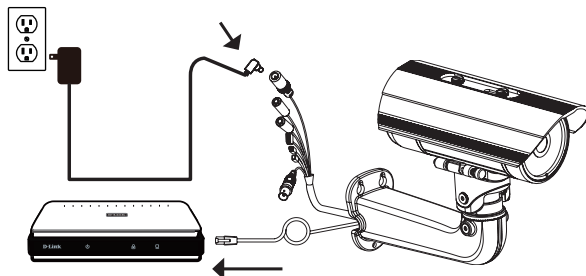


Figure 2.4

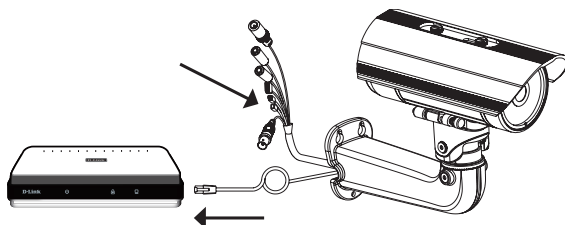
General Connection Using 12V DC Power Adapter

1. Connect the network camera to your network via an Ethernet cable.
2. Connect the supplied power cable from the camera to a power outlet.



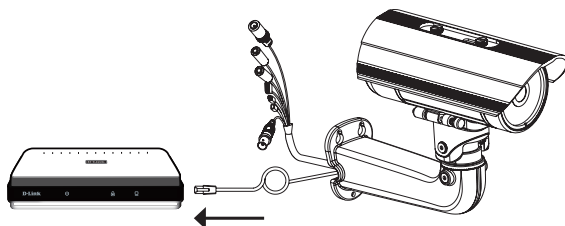
General Connection Using 24V AC Power Wiring

1. Connect the network camera to your network via an Ethernet cable.
2. Connect the supplied power cable from the camera to a power source such as your building's emergency power.



Connection with a PoE switch

If you are using a PoE switch, connect the IP camera to the switch via an Ethernet cable, which will provide transmission of both power and data over a single cable.



5. Configuration with Wizard

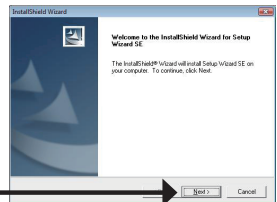
Insert the DCS-7413 CD into your computer's CD-ROM drive to begin the installation. If the Autorun function on your computer is disabled, or if the D-Link Launcher fails to start automatically, click **Start > Run**. Type **D:\autorun.exe**, where D: represents the drive letter of your CD-ROM drive.

Click **Setup Wizard** to begin the installation.

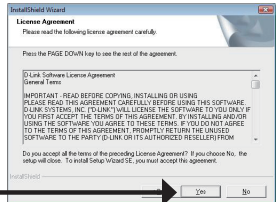


After clicking Setup Wizard, the following window will open.

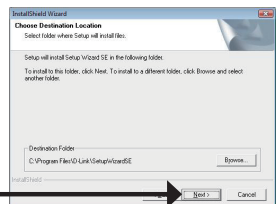
Click **Next** to continue.



Click **Yes** to accept the License Agreement.

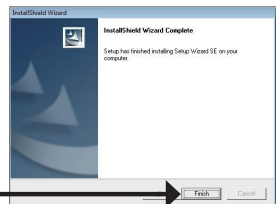


To start the installation process, click **Next**.

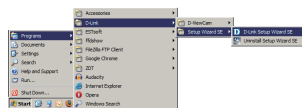


Note: The installation may take several minutes to finish.

Click **Finish** to complete the installation.



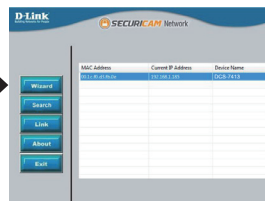
Click on the **D-Link Setup Wizard SE** icon that was created in your Windows Start menu.



Start > D-Link > Setup Wizard SE

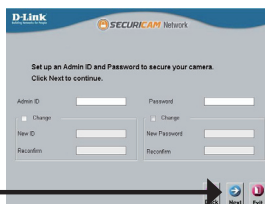
The Setup Wizard will appear and display the MAC address and IP address of your camera(s). If you have a DHCP server on your network, a valid IP Address will be displayed. If your network does not use a DHCP server, the network camera's default static IP **192.168.0.20** will be displayed.

Click the **Wizard** button to continue.



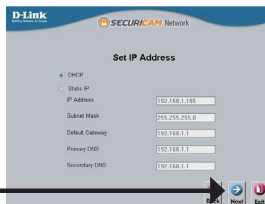
Enter the Admin ID and password. When logging in for the first time, the default Admin ID is **admin** with the password left blank.

Click **Next** to proceed to the next page.

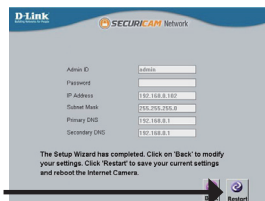
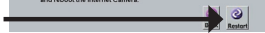


Select DHCP if your camera obtains an IP address automatically when it boots up. Select static IP if the camera will use the same IP address each time it is started.

Click **Next** to proceed to the next page.



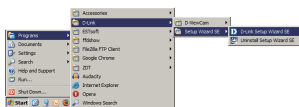
Take a moment to confirm your settings and click **Restart**.



Viewing Camera via Web Browser

Click on the **D-Link Setup Wizard SE** icon that was created in your Windows Start menu.

Start > D-Link > Setup Wizard SE



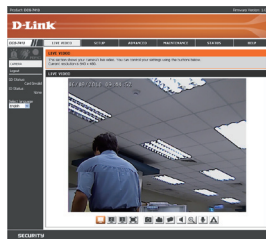
Select the camera and click the button labeled **"Link"** to access the web configuration.

The Setup Wizard will automatically open your web browser to the IP address of the camera.



Select **admin** as the User Name and enter your password (by default the password is blank). Click **OK** to continue.

This section shows your camera's live video. You can select your video profile and view or operate the camera. For additional information about web configuration, please refer to the user manual included on the CD-ROM or the D-Link website.



Notes

Notes

Notes

Technical Support

D-Link's website contains the latest user documentation and software updates for D-Link products.

U.S. and Canadian customers can contact D-Link Technical Support through our website or by phone.

United States

Telephone

(877) 354-6555

World Wide Web

<http://support.dlink.com>

Canada

Telephone

(877) 354-6560

World Wide Web

<http://support.dlink.com>

D-Link®

Version 1.0
July 3, 2012
RMN0100722

Copyright ©2012 D-Link Corporation/D-Link Systems, Inc. All rights reserved. D-Link, and the D-Link logo are registered trademarks of D-Link Corporation or its subsidiaries in the United States and other countries. Other trademarks are the property of their respective owners. Product specifications, size and shape are subject to change without notice, and actual product appearance may differ from that depicted on the packaging. Visit www.dlink.com for more details.

Free Manuals Download Website

<http://myh66.com>

<http://usermanuals.us>

<http://www.somanuals.com>

<http://www.4manuals.cc>

<http://www.manual-lib.com>

<http://www.404manual.com>

<http://www.luxmanual.com>

<http://aubethermostatmanual.com>

Golf course search by state

<http://golfingnear.com>

Email search by domain

<http://emailbydomain.com>

Auto manuals search

<http://auto.somanuals.com>

TV manuals search

<http://tv.somanuals.com>