

D-Link[®]

10BASE-T Ethernet Mini Hubs

Models DE-809TP
DE-809TC

User's Guide

Fifth Edition (Jan. 1999)

6DE809TP..05
Printed In Taiwan



RECYCLABLE

WARRANTIES EXCLUSIVE

IF THE D-LINK PRODUCT DOES NOT OPERATE AS WARRANTED ABOVE, THE CUSTOMER'S SOLE REMEDY SHALL BE, AT D-LINK'S OPTION, REPAIR OR REPLACEMENT. THE FOREGOING WARRANTIES AND REMEDIES ARE EXCLUSIVE AND ARE IN LIEU OF ALL OTHER WARRANTIES, EXPRESSED OR IMPLIED, EITHER IN FACT OR BY OPERATION OF LAW, STATUTORY OR OTHERWISE, INCLUDING WARRANTIES OF MERCHANTABILITY AND FITNESS FOR A PARTICULAR PURPOSE. D-LINK NEITHER ASSUMES NOR AUTHORIZES ANY OTHER PERSON TO ASSUME FOR IT ANY OTHER LIABILITY IN CONNECTION WITH THE SALE, INSTALLATION MAINTENANCE OR USE OF D-LINK'S PRODUCTS.

D-LINK SHALL NOT BE LIABLE UNDER THIS WARRANTY IF ITS TESTING AND EXAMINATION DISCLOSE THAT THE ALLEGED DEFECT IN THE PRODUCT DOES NOT EXIST OR WAS CAUSED BY THE CUSTOMER'S OR ANY THIRD PERSON'S MISUSE, NEGLIGENCE, IMPROPER INSTALLATION OR TESTING, UNAUTHORIZED ATTEMPTS TO REPAIR, OR ANY OTHER CAUSE BEYOND THE RANGE OF THE INTENDED USE, OR BY ACCIDENT, FIRE, LIGHTNING OR OTHER HAZARD.

LIMITATION OF LIABILITY

IN NO EVENT WILL D-LINK BE LIABLE FOR ANY DAMAGES, INCLUDING LOSS OF DATA, LOSS OF PROFITS, COST OF COVER OR OTHER INCIDENTAL, CONSEQUENTIAL OR INDIRECT DAMAGES ARISING OUT THE INSTALLATION, MAINTENANCE, USE, PERFORMANCE, FAILURE OR INTERRUPTION OF A D- LINK PRODUCT, HOWEVER CAUSED AND ON ANY THEORY OF LIABILITY. THIS LIMITATION WILL APPLY EVEN IF D-LINK HAS BEEN ADVISED OF THE POSSIBILITY OF SUCH DAMAGE.

IF YOU PURCHASED A D-LINK PRODUCT IN THE UNITED STATES, SOME STATES DO NOT ALLOW THE LIMITATION OR EXCLUSION OF LIABILITY FOR INCIDENTAL OR CONSEQUENTIAL DAMAGES, SO THE ABOVE LIMITATION MAY NOT APPLY TO YOU.

Limited Warranty

Hardware:

D-Link warrants its hardware products to be free from defects in workmanship and materials, under normal use and service, for the following periods measured from date of purchase from D-Link or its Authorized Reseller:

| <u>Product Type</u> | <u>Warranty Period</u> |
|----------------------------|------------------------|
| Complete products | One year |
| Spare parts and spare kits | 90 days |

The one-year period of warranty on complete products applies on condition that the product's Registration Card is filled out and returned to a D-Link office within ninety (90) days of purchase. A list of D-Link offices is provided at the back of this manual, together with a copy of the Registration Card. Failing such timely registration of purchase, the warranty period shall be limited to 90 days.

If the product proves defective within the applicable warranty period, D-Link will provide repair or replacement of the product. D-Link shall have the sole discretion whether to repair or replace, and replacement product may be new or reconditioned. Replacement product shall be of equivalent or better specifications, relative to the defective product, but need not be identical. Any product or part repaired by D-Link pursuant to this warranty shall have a warranty period of not less than 90 days, from date of such repair, irrespective of any earlier expiration of original warranty period. When D-Link provides replacement, then the defective product becomes the property of D-Link.

Warranty service may be obtained by contacting a D-Link office within the applicable warranty period, and requesting a Return Material Authorization (RMA) number. If a Registration Card for the product in question has not been returned to D-Link, then a proof of purchase (such as a copy of the dated purchase invoice) must be provided. If Purchaser's circumstances require special handling of warranty correction, then at the time of requesting RMA number, Purchaser may also propose special procedure as may be suitable to the case.

After an RMA number is issued, the defective product must be packaged securely in the original or other suitable shipping package to ensure that it will not be damaged in transit, and the RMA number must be prominently marked on the outside of the package. The package must be mailed or otherwise shipped to D-Link with all costs of mailing/shipping/insurance prepaid; D-Link will ordinarily reimburse Purchaser for mailing/shipping/insurance expenses incurred for return of defective product in accordance with this warranty. D-Link shall never be responsible for any software, firmware, information, or memory data of Purchaser contained in, stored on, or integrated with any product returned to D-Link pursuant to this warranty.

Any package returned to D-Link without an RMA number will be rejected and shipped back to Purchaser at Purchaser's expense, and D-Link reserves the right in such a case to levy a reasonable handling charge in addition mailing or shipping costs.

D-Link Offices for Registration and Warranty Service

The product's Registration Card, provided at the back of this manual, must be sent to a D-Link office. To obtain an RMA number for warranty service as to a hardware product, or to obtain warranty service as to a software product, contact the D-Link office nearest you. An addresses/telephone/fax list of D-Link offices is provided in the back of this manual.

Trademarks

Copyright ©1999 D-Link Corporation.

Contents subject to change without prior notice.

D-Link is a registered trademark of D-Link Corporation/D-Link Systems, Inc.

All other trademarks belong to their respective proprietors.

Copyright Statement

No part of this publication may be reproduced in any form or by any means or used to make any derivative such as translation, transformation, or adaptation without permission from D-Link Corporation/D-Link Systems Inc., as stipulated by the United States Copyright Act of 1976.

FCC Warning

Class A for Model DE-809TP

This equipment has been tested and found to comply with the limits for a Class A digital device, pursuant to Part 15 of the FCC Rules. These limits are designed to provide reasonable protection against harmful interference when the equipment is operated in a commercial environment. This equipment generates, uses, and can radiate radio frequency energy and, if not installed and used in accordance with this user's guide, may cause harmful interference to radio communications. Operation of this equipment in a residential area is likely to cause harmful interference in which case the user will be required to correct the interference at his own expense.

Class B for Model DE-809TC

FCC ID No: KA2HPC09TC1

This equipment has been tested and found to comply with the limits for a Class B digital device, pursuant to Part 15 of the FCC Rules. These limits are designed to provide reasonable protection against harmful interference in a residential installation. This equipment generates, uses, and can radiate radio frequency energy and, if not installed and used in accordance with this user's guide, may cause harmful interference to radio communications. However, there is no guarantee that interference will not occur in a particular installation. If this equipment does cause harmful interference to radio or television reception, which can be determined by turning the equipment off and on, the user is encouraged to try to correct the interference by one or more of the following measures:

- ◆ Reorient or relocate the receiving antenna.
- ◆ Increase the separation between the equipment and receiver.
- ◆ Connect the equipment into an outlet on a circuit different from that to which the receiver is connected.
- ◆ Consult the dealer or an experienced radio/TV technician for help.

Shielded interface cables must be used in order to comply with emission limits.

Changes or modifications not expressly approved by user's authority to operate this equipment.

VCCI I Warning For Model DE-809TP

注意

この装置は、情報処理装置等電波障害自主規制協議会 (VCCI) の基準に基づく第一種情報技術装置です。この装置を家庭環境で使用すると電波妨害を引き起こすことがあります。この場合には使用者が適切な対策を講ずるよう要求されることがあります。

VCCI II Warning For Model DE-809TC

この装置は、情報処理装置等電波障害自主規制協議会 (VCCI) の基準に基づく第二種情報技術装置です。この装置は、家庭環境で使用することを目的としていますが、この装置がラジオやテレビジョン受信機に近接して使用されると、受信障害を引き起こすことがあります。取扱説明書に従って正しい取り扱いをして下さい。

TAIWANESE BCIQ A Warning

警告 使用者

這是甲類的資訊產品，在居住的環境中使用時，可能會造成射頻干擾，在這種情況下使用者會被要求採取某些適當的對策。

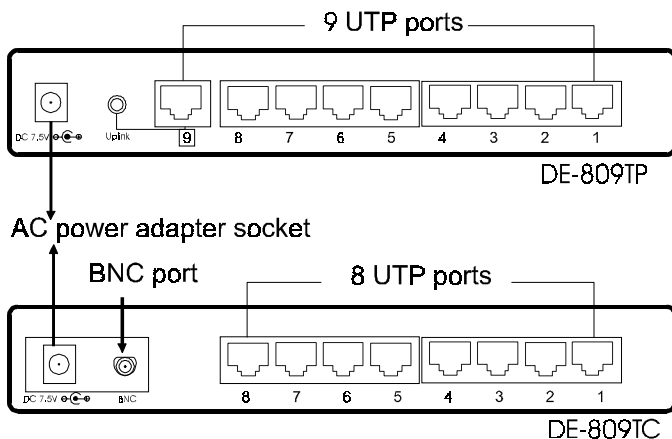
Table of Contents

| | |
|--|------------------|
| <i>1 INTRODUCTION</i> | <i>1</i> |
| <i>2 INSTALLATION</i> | <i>5</i> |
| MOUNTING HUB ON WALL | 5 |
| CONNECTING AC POWER ADAPTER..... | 7 |
| CONNECTING UTP SEGMENTS..... | 8 |
| CONNECTING THIN COAXIAL SEGMENT..... | 10 |
| CASCADING HUBS THROUGH THIN COAXIAL CABLE | 11 |
| CASCADING HUBS THROUGH UTP CABLE | 12 |
| DIAGNOSTIC LEDs & TROUBLESHOOTING | 14 |
| <i>A CABLES, CONNECTORS & AC POWER ADAPTERS</i> | <i>17</i> |
| 10BASE-T UNSHIELDED TWISTED-PAIR (UTP) CABLE..... | 17 |
| 10BASE2 THIN COAXIAL CABLE | 17 |
| AC POWER ADAPTERS | 18 |
| <i>B TECHNICAL SPECIFICATIONS</i> | <i>20</i> |

Introduction

This User's Guide tells you how to install the following 10BASE-T Ethernet Mini Hub models:

- ◆ **DE-809TP** (9 UTP ports)
- ◆ **DE-809TC** (8 UTP ports & 1 BNC port)

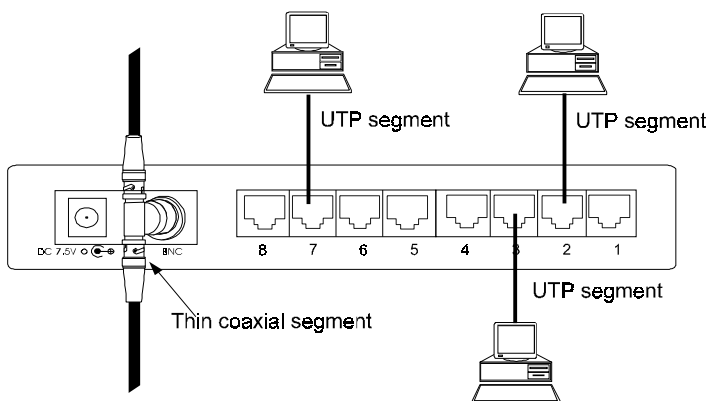


Port connectors on back panel of Mini Hubs

The Mini Hubs are the palm-size compact 10BASE-T hubs that offer all the features of standard equipment rack-mount 10BASE-T hubs, including automatic port participation, collision detection, diagnostic LED report, and hub cascading.

Following is a summary of the features of the Mini Hubs:

- ◆ **9-port hubs.** Each Mini Hub provides nine ports. Model DE-809TP provides nine UTP ports (nine RJ-45 connectors); one of these ports can be used for either 10BASE-T connection or cascading with another Mini Hub. Model DE-809TC provides eight UTP ports (eight RJ-45 connectors) and one BNC port.
- ◆ **Cascading.** Through an “Uplink” switch, a UTP port of the DE-809TP can be used for cascading with another Mini Hub. The DE-809TC provides a BNC port for cascading with other hubs without sacrificing any UTP port.
- ◆ **Backbone connection.** The BNC port on the DE-809TC also allows the portable Mini Hub to be attached to a coaxial backbone to be part of a larger network.
- ◆ **Installation flexibility.** The Mini Hub is ideal for a small-size network with nine or fewer nodes. Its cascading port however permits the network to expand to 32 ports or more.
- ◆ **Compact, lightweight.** The Mini Hub’s small size makes it easy to install even at installation sites with tight space. It takes little space on a desktop, and its light weight allows it to be easily mounted on a wall.



Ethernet segments connected to Mini-Hub

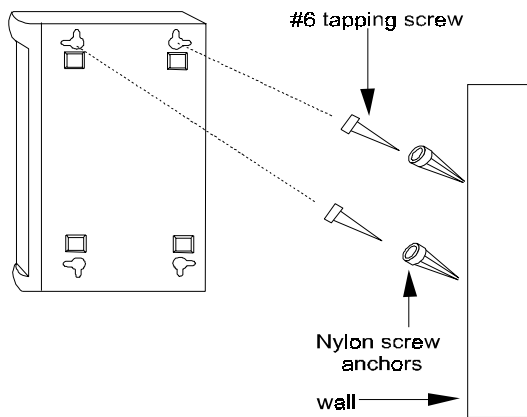
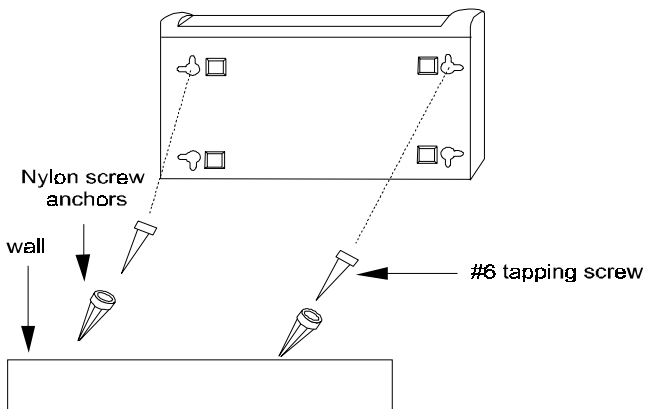
2

Installation

Mounting Hub on Wall

The Mini Hub can be mounted on a wall. Four mounting slots are provided on the bottom side of the hub for this purpose. Make sure that the front panel is exposed to allow you to view the LEDs at work.

Distance: 155.6 mm / 6.13 in. (top diagram)



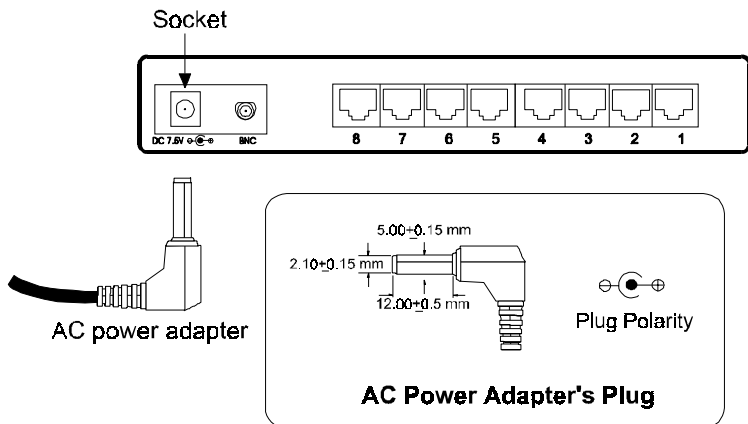
Distance: 70.5 mm/2.74 in. (bottom diagram)

Connecting AC Power Adapter

The Mini Hub uses an external AC power adapter. There is no power switch. The hub is powered on once the AC power adapter is connected to an AC power source and the hub's AC power socket.

Caution: *To prevent damage to your hub, before you begin using the AC power adapter, double-check its input AC voltage. The AC power adapter's input voltage must conform to its AC power source's voltage. Appendix A lists the specifications of the AC power adapters applicable to Mini Hubs and to different countries.*

If you use an AC power adapter supplied by yourself, and your country is not listed in the appendix, check with your networking products dealer to make sure that you use a proper AC power adapter.



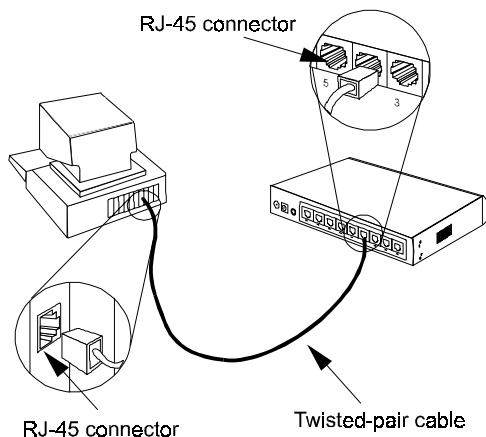
Caution: Use AC power adapter with correct AC voltage only.

Connecting UTP Segments

This section describes the connection procedure from a UTP port of the hub to a UTP port of a station, bridge, router, and other Ethernet devices. It does not describe the connection to a 10BASE-T hub. The UTP cable extended from a UTP port is called a UTP segment, and can be up to 100 meters long.

Note that, for Mini Hub model DE-809TP, UTP port labeled “9” must be in the **Normal** position in order to be connectable to a station, bridge or router. To connect this port to a UTP port of a 10BASE-T hub, the port must be in the **Uplink** position (see section *Cascading Hubs Through UTP Cable* in this chapter for details).

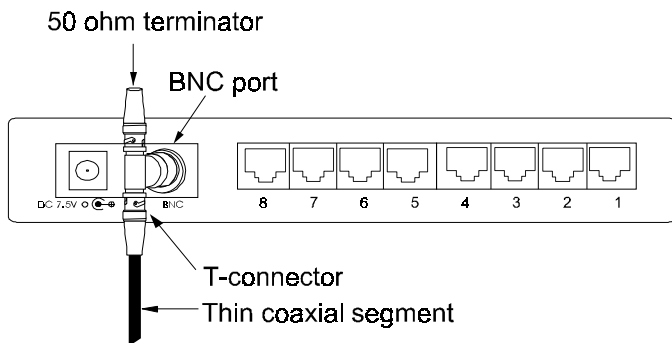
The button to the right of the UTP port labeled “9” is used to switch between the **Normal** and the **Uplink** position.



Connecting station UTP port

Connecting Thin Coaxial Segment

The BNC port on Mini Hub model DE-809TC is used to connect to a thin coaxial segment. Connect a T-connector to the BNC connector, then connect both ends of the T-connector to the thin coaxial cable. If the thin coaxial segment terminates at the hub, attach a 50-ohm terminator to one end of the T-connector.



Ethernet segments connected to Mini-Hub

Cascading Hubs Through Thin Coaxial Cable

The BNC port on the Mini Hub model DE-809TC can be used to cascade hubs together. You may cascade DE-809TC hubs together through the BNC ports. You may also cascade the DE-809TC with any other IEEE 802.3 Ethernet standard 10BASE-T hubs equipped with BNC ports.

You may attach up to thirty nodes to a thin coaxial segment. In this sense, it is possible to cascade a maximum of thirty hubs together through the thin coaxial cable.

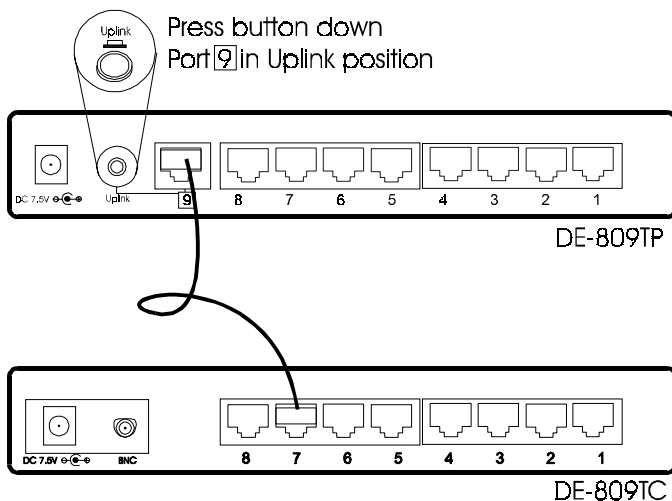
Be sure to leave a minimum of 0.5 meter (2 feet) of cable between two BNC ports.

Cascading Hubs Through UTP Cable

Any of the UTP ports can be used to cascade hubs together. Note that when two UTP ports of two hubs are connected together, the wires inside the UTP cable must be crossed over. See appendix A for the wire cross-over. Mark all crossed-over UTP cables clearly so they will not be used by mistake for normal connection.

If you use Mini Hub model DE-809TP, UTP port labeled “9” is especially designed for hub cascading. When this port is in the **Uplink** position, its signal reception and transmission are reversed. This allows you to dispense with the trouble of crossing the UTP cable’s wires. Putting this port in the **Uplink** position can be done by pressing down the button located next to the port.

Note: *Never cause a loop when you cascade hubs since this might cause unpredictable results.*



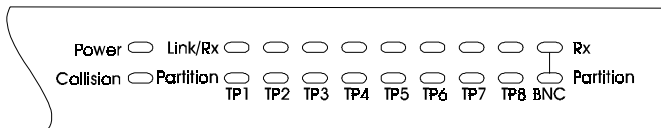
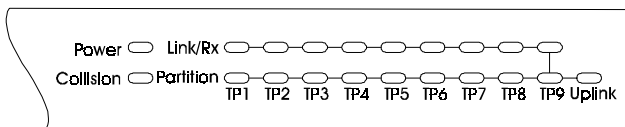
Hub cascading: If straight-through UTP cable is used, one UTP port must be in Uplink position.

Diagnostic LEDs & Troubleshooting

◆ Power.

- ◇ **ON:** “power good”.
- ◇ **OFF:** “power bad.” Check to see if the AC power adapter is properly connected, or if the correct AC power adapter is being used.

DE-809TP



DE-809TC

Diagnostic LEDs on front panel of Mini Hubs

◆ **Collision.**

◇ **Blinking:** Packet collision is occurring. Packet collisions are not an abnormal situation. Collisions occur when two or more computers transmit packets on the network simultaneously, and a contention takes place on the network line. The computers should then back off, then retry transmission. This trial-and-error process is repeated until no collision takes place. Note: Excessive collisions may result when multiple hubs are cascaded through a thin coaxial segment and many stations are connected on the network.

◇ **Off:** No packet collision.

◆ **Link/Rx** (*for each UTP port*).

◇ **ON:** Data link between (1) Mini Hub's UTP port and (2) node's or cascaded hub's UTP port is successful.

◇ **OFF:** (1) No data link or (2) cable disconnected. Check for bad cable or loose connectors. For cascaded hubs, check to see if UTP cable contains crossed-over wires. Also check for a "power good" condition at both ends of the connection. If you suspect that the hub port is damaged, contact your authorized dealer for service.

◇ **Blinking:** Packet reception is occurring.

◆ **Rx** (for BNC port).

- ◇ **Blinking:** Packet reception is occurring.
- ◇ **OFF:** No packet reception.

◆ **Partition** (for each UTP port).

- ◇ **ON:** The UTP port is being partitioned off due to excessive packet collisions. Note that the UTP cable between a hub port and a non-repeater node must contain straight-through wires (no cross-over).
- ◇ **OFF:** Segment has no problem.

◆ **Partition** (for BNC port).

- ◇ **ON:** The BNC port is being partitioned off due to (1) no cable is connected, (2) faulty cable or connectors, (3) excessive packet collisions, (4) a disconnected point somewhere along the entire thin coaxial cable length, or (5) unterminated segment. Check all connectors along the cable length. If segment is not terminated, terminate both ends with 50-ohm terminators.
- ◇ **OFF:** (1) Cable is connected and (2) segment has no problem.

◆ **Uplink**

- ◇ **ON:** The “9” UTP port is in the **Uplink** position (cross-wired).
- ◇ **OFF:** The “9” UTP port is in the **Normal** position (straight-through wires).

A

Cables, Connectors & AC Power Adapters

10BASE-T Unshielded Twisted-Pair (UTP) Cable

- ◆ Cable characteristics: 0.4 - 0.6 mm (22 - 26 AWG) 8-wire (only 4 wires used for 10BASE-T)
- ◆ Maximum segment length: 100 meters
- ◆ Applicable connectors: RJ-45, Telco-50

10BASE2 Thin Coaxial Cable

- ◆ Cable characteristics: 0.2 inch diameter RG-58A/U 50 ohm
- ◆ Maximum segment length: 185 meters
- ◆ Minimum distance between two nodes: 0.5 meter
- ◆ Maximum number of nodes per segment: 30

AC Power Adapters

The following lists the specifications of the AC power adapters supplied by D-Link for use with the Mini Hub. Your Mini Hub package may contain one of these AC power adapters. If you use an AC power adapter supplied by yourself, make sure that it complies with the output power listed below and the input power and plug (AC power specifications) of your area.

AC power adapter model AD-071A

- ⇒ Input power: AC 120 volts, 50-60Hz
- ⇒ Output power: DC 7.5 volts unregulated, 1 A
- ⇒ Maximum power consumption: 7.5 watts
- ⇒ Plug: North American standards
- ⇒ Safety standards: UL/CSA

AC power adapter model AD-071AD

- ⇒ Input power: AC 240 volts, 50-60Hz
- ⇒ Output power: DC 7.5 volts unregulated, 1 A
- ⇒ Maximum power consumption: 7.5 watts
- ⇒ Plug: U.K. standard
- ⇒ Safety standard: BSI

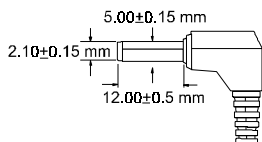
AC power adapter model AD-071AB

- ⇒ Input power: AC 220 volts, 50-60Hz
- ⇒ Output power: DC 7.5 volts unregulated, 1 A
- ⇒ Maximum power consumption: 7.5 watts

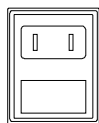
- ⇒ Plug: German standard
- ⇒ Safety standard: VDE

AC Power adapter model AD-071AJ

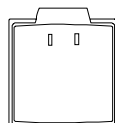
- ⇒ Input power: AC 100 volts, 50-60Hz
- ⇒ Output power: DC 7.5 volts unregulated, 1 A
- ⇒ Maximum power consumption: 7.5 watts
- ⇒ Safety standard: Japan T-mark



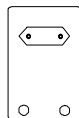
AC Power Adapter's Plug



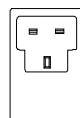
AD-071AJ Plug



AD-071A Plug



AD-071AB Plug



AD-071AD Plug

B

Technical Specifications

DE-809TP

- ◆ Standard: IEEE 802.3 10BASE-T.
- ◆ Medium support: UTP.
- ◆ Number of UTP ports: 9.
- ◆ Number of connectors: 9 RJ-45.
- ◆ Cascading: Switchable straight-through/cross-wired UTP port (“uplink”) button
- ◆ Number of diagnostic LEDs: 21
- ◆ Power requirement: DC 7.5 volts 1 Amp.
- ◆ Power feeding: through AC power adapter.
- ◆ Operating temperature: -10° to 55° Celsius.
- ◆ Humidity: 5% - 95% non-condensing.
- ◆ Dimensions: 197 x 115 x 28 mm (7.75 x 4.53 x 1.10 inches)
- ◆ Weight: 300 ±10 grams (AC power adapter excluded)
- ◆ Safety: UL/CSA.
- ◆ EMI: FCC-B, CE-B, VCCI-A, C-Tick, BCIQ

DE-809TC

- ◆ Standard: IEEE 802.3 10BASE-T.
- ◆ Medium support: thin coaxial, UTP.
- ◆ Number of UTP ports: 8.
- ◆ Number of BNC ports: 1.
- ◆ Number of connectors: 8 RJ-45, 1 BNC.
- ◆ Number of diagnostic LEDs: 20
- ◆ Power requirement: DC 7.5 volts 1 Amp.
- ◆ Power feeding: through AC power adapter.
- ◆ Operating temperature: -10° to 55° Celsius.
- ◆ Humidity: 5% - 95% non-condensing.
- ◆ Dimensions: 197 x 115 x 28 mm (7.75 x 4.53 x 1.10 inches)
- ◆ Weight: 350 ±10 grams (AC power adapter excluded)
- ◆ Safety: UL/CSA.
- ◆ EMI: FCC-B, CE-B, VCCI-B, C-Tick, BCIQ

D-Link® Offices

- U.S.A.** **D-LINK SYSTEMS, INC.**
53 Discovery Drive, Irvine, CA 92618 USA
TEL: 1-949-788-0805 FAX: 1-949-753-7033 WEB: www.dlink.com
E-MAIL: tech@dlink.com
- CANADA** **D-LINK CANADA, INC.**
#2180 Winston Park Drive, Oakville, Ontario, L6H 5W1, Canada
TEL: 1-905-829-5033 FAX: 1-905-829-5223 WEB: www.dlink.ca
FTP: [ftp.dlinknet.com](ftp://ftp.dlinknet.com) E-MAIL: support@dlink.ca E-MAIL: sales@dlink.ca
- DENMARK** **D-LINK DENMARK**
Naverland 2 DK-2600 Glostrup Copenhagen, Denmark
TEL:45-43-969-040 FAX:45-43-424-347
- FRANCE** **D-LINK FRANCE**
Le FLORILEGE #2, Allee de la Fresnerie
78330 Fontenay Le Fleury France
TEL: 33-1-3023-8688 FAX: 33-1-3023-8689 WEB: www.dlink-france.com
- GERMANY** **D-LINK (DEUTSCHLAND) GMBH I.G.**
Bachstrae 22, 65830 Kriftel Germany
TEL: 49-6192-971110 FAX: 49-6192-971111 WEB: www.dlink.de BBS: 49-6192-971199
INFO: 0130-7250-00 (toll free) HELP: 0130-7250-40 (toll free)
- ITALY** **D-LINK ITALY**
Via Nino Bonnet n. 6, 20154 Milano, Italy
TEL: 39-2-2900-0676 FAX: 39-2-2900-1723
- SWEDEN** **D-LINK A/B**
World Trade Center P. O. Box 70396, 107 24 Stockholm Sweden
TEL: 46-8-700-6211 FAX: 46-8-219-640 E-MAIL: info@dlink.se
- U.K.** **D-LINK (EUROPE) LTD.**
D-Link House, 6 Garland Road, Middlesex HA7 1DP U.K.
TEL: 44-181-235-5555 FAX: 44-181-235-5500 WEB: www.dlink.com.uk E-MAIL: info@dlink.co.uk
- EGYPT** **D-LINK MIDDLE EAST**
7 Assem Ben Sabet Street, Heliopolis, Cairo, Egypt
TEL: 202-245-6176 FAX: 202-245-6192 WEB: www.dlink-me.com
- AUSTRALIA** **D-LINK AUSTRALIA PTY.LTD.**
Unit 16, 390 Eastern Valley Way Roseville, NSW 2069 Australia
TEL: 61-2-9417-7100 FAX: 61-2-9417-1077 TOLL FREE: 1-80017710 WEB: www.dlink.com.au E-MAIL: info@dlink.com.au
- CHINA** **D-LINK BEIJING**
15th Floor, Science & Technology Tower,
No. 11, Baishiqiao Road, Haidian District, Beijing 100081 China
TEL: 86-10-68467106-9 FAX: 86-10-68467110 WEB: www.dlink.co.cn
- INDIA** **D-LINK (INDIA) PVT. LTD.**
Bombay Office : Plot No.5, Kurla-Bandra Complex Rd.
Off Cst Rd., Santacruz (E) Bombay - 400 098 India
TEL: 91-22-6172478 FAX: 91-22-6172476
- JAPAN** **D-LINK TOKYO**
10F, 8-8-15 Nishigotanda, Shinagawa-ku Tokyo 141 Japan
TEL: 81-3-5434-9678 FAX: 81-3-5434-9868 WEB: www.d-link.co.jp
- SINGAPORE** **D-LINK SINGAPORE PTE.LTD.**
1 International Business Park, #03-12 The Synergy, Singapore 609917
TEL: 65-774-6233 FAX: 65-774-6322 BBS: 65-774-4787 E-MAIL: info@dlink.com.sg
- TAIWAN** **D-LINK TAIWAN**
2F, No. 233-2 Pao-Chiao Rd, Hsin-Tien, Taipei, Taiwan, R.O.C.
TEL: 886-2-2916-1600 FAX: 886-2-2914-6299 WEB: www.dlink.com.tw

Registration Card

Print, type or use block letters.

Your name: Mr./Ms _____
 Organization: _____ Dept. _____
 Your title at organization: _____
 Telephone: _____ Fax: _____
 Organization's full address: _____

 Country: _____
 Date of purchase (Month/Day/Year): _____

| Product Model | Product Serial No. | * Product installed in type of computer (e.g., Compaq 486) | * Product installed in computer serial No. |
|---------------|--------------------|--|--|
| | | | |
| | | | |
| | | | |
| | | | |
| | | | |

(* Applies to adapters only)

Product was purchased from:

Reseller's name: _____
 Telephone: _____ Fax: _____
 Reseller's full address: _____

Answers to the following questions help us to support your product:

1. **Where and how will the product primarily be used?**
 Home Office Travel Company Business Home Business Personal Use
2. **How many employees work at installation site?**
 1 employee 2-9 10-49 50-99 100-499 500-999 1000 or more
3. **What network protocol(s) does your organization use ?**
 XNS/IPX TCP/IP DECnet Other _____
4. **What network operating system(s) does your organization use ?**
 D-Link LANsmart Novell NetWare NetWare Lite SCO Unix/Xenix PC NFS 3Com 3+Open
 Banyan Vines DECnet Pathwork Windows NT Windows NTAS Windows '95
 Other _____
5. **What network management program does your organization use ?**
 D-View HP OpenView/Windows HP OpenView/Unix SunNet Manager Novell NMS
 NetView 6000 Other _____
6. **What network medium/media does your organization use ?**
 Fiber-optics Thick coax Ethernet Thin coax Ethernet 10BASE-T UTP/STP
 100BASE-TX 100BASE-T4 100VGAnyLAN Other _____
7. **What applications are used on your network?**
 Desktop publishing Spreadsheet Word processing CAD/CAM
 Database management Accounting Other _____
8. **What category best describes your company?**
 Aerospace Engineering Education Finance Hospital Legal Insurance/Real Estate
 Manufacturing Retail/Chainstore/Wholesale VAR System house/company
 Government Transportation/Utilities/Communication Other _____
9. **Would you recommend your D-Link product to a friend?**
 Yes No Don't know yet



TO: _____

D-Link®



Free Manuals Download Website

<http://myh66.com>

<http://usermanuals.us>

<http://www.somanuals.com>

<http://www.4manuals.cc>

<http://www.manual-lib.com>

<http://www.404manual.com>

<http://www.luxmanual.com>

<http://aubethermostatmanual.com>

Golf course search by state

<http://golfingnear.com>

Email search by domain

<http://emailbydomain.com>

Auto manuals search

<http://auto.somanuals.com>

TV manuals search

<http://tv.somanuals.com>