



## PROFESSIONAL DROP-IN COOKTOPS

- 36" – 5 BURNER COOKTOP
- 30" – 4 BURNER COOKTOP

Use and Care Manual



### MODELS:

CTD-365 (shown)  
CTD-304





# A MESSAGE TO OUR CUSTOMERS

Thank you for selecting this DCS Professional Drop-In Cooktop. Because of this appliance's unique features we have developed this Use and Care Manual. It contains valuable information on how to properly operate and maintain your new appliance for years of safe and enjoyable cooking.

To help serve you better, please fill out and submit your Ownership Registration by visiting our website at [www.dcsappliances.com](http://www.dcsappliances.com) and selecting "Customer Service" on the home page and then select "Ownership Registration" or submit the enclosed Ownership Registration Card to the address below. In addition, keep this manual handy, as it will help answer questions that may arise as you use your new appliance.

For your convenience, product questions can be answered by a DCS Customer Care Representative by phone: 1-888-281-5698 , email: [support@dcsappliances.com](mailto:support@dcsappliances.com),

or by mail:

Fisher & Paykel Appliances, Inc.  
Attention: DCS Customer Care  
5900 Skylab Road  
Huntington Beach, CA 92647

[www.dcsappliances.com](http://www.dcsappliances.com)

**NOTE:** Please write the Model and Serial Number on this page for references (located at the bottom of the chassis, right corner).

MODEL NUMBER \_\_\_\_\_

SERIAL NUMBER \_\_\_\_\_

## **WARNING**

Improper installation, adjustment alteration, service or maintenance can cause property damage, injury or death. Read the installation, operating and maintenance instructions thoroughly before use, installing or servicing this equipment.

## **WARNING**

Do Not store or use gasoline or any other flammable vapors and liquids in the vicinity of this or any other appliance.

## **DANGER**

If you smell gas:

- 1 Do not turn on any electrical switch; do not use any phone in your building.
2. Immediately call your gas supplier from a neighbor's phone. Follow the gas supplier's instructions.
3. If you cannot reach your gas supplier, call the fire department. Installation and service must be performed by a qualified installer, service agency or the gas supplier.

**PLEASE RETAIN THIS MANUAL FOR FUTURE REFERENCE.**

# TABLE OF CONTENTS

SAFETY PRACTICES AND PRECAUTIONS	3-5
COOKTOP USE	6-7
Control Knobs	6
Cooking Utensils	6
Burners	6
Electronic Igniters	7
Burner Efficiency	7
Flame Height	7
Burner Grates	7
CARE AND MAINTENANCE	8-9
Cleaning the Cooktop	8
Cleaning the Burner Grates	8
Cleaning the Burners	9
Cleaning the Igniters	9
PRODUCT MEASUREMENT SPECIFICATIONS	10-11
SERVICE	12
WARRANTY	13-14

# SAFETY PRACTICES & PRECAUTIONS

When properly cared for, your new DCS Appliance has been designed to be a safe, reliable cooking appliance. When using this restaurant caliber appliance, use it with extreme care, as this type appliance provides intense heat and can increase the accident potential. Basic safety precautions must be followed when using kitchen appliances, including the following:

- Read this Use and Care Manual thoroughly before using your new appliance. This will help to reduce the risk of fire, electric shock, or injury to persons.
- Begin by insuring proper installation and servicing. Follow the installation instructions which came with this appliance. Be sure to have a qualified technician install and ground this appliance before using.
- Have the installer show you where the gas supply shut-off valve is located so you will know how and where to turn off the gas to the appliance.
- If you smell gas, the installer has not done a proper job of checking for leaks. You can have a small leak and therefore a faint gas smell if the connections are not completely sealed. Finding a gas leak is not a "do-it-yourself" procedure. Some leaks can only be found with the burner control in the ON position and for your protection it must be done by a qualified service technician.
- If by some chance a burner goes out and does not re-ignite and gas escapes, open a window or a door to let the room air out. Do not attempt to use the appliance until the gas has had time to dissipate.
- This appliance has been factory assembled for Natural Gas or Liquid Propane as indicated by the model number.
- Do not repair or replace any part of this appliance unless it is specifically recommended in this manual. All other servicing should be referred to a qualified service technician.

## **WARNING:**

Children should not be left alone or unattended in an area where appliances are in use. They should never be allowed to turn knobs, push buttons, sit or stand on any part of an appliance.

## **WARNING:**

Do not store items of interest to children on or around the Drop-In Cooktop. Children could be seriously injured if they should climb onto or reach across the appliance to reach these items.

- Never store anything on the cooktop. Flammable materials can accidentally catch fire, plastic items may melt or ignite and other types of items could be ruined.
- Do not hang articles from any part of the appliance. Some fabrics are quite flammable and may catch on fire.
- If the appliance is near a window be certain the curtains do not blow over or near the cooktop burners; they could catch on fire.
- Never let clothing, pot holders, or other flammable materials come in contact with, or too close to any burner or burner grate until it has cooled. Fabric may ignite and result in personal injury.

# SAFETY PRACTICES & PRECAUTIONS

- Be certain to use only dry pot holders; moist or damp pot holders on hot surfaces may cause burn injury from steam. Do not use a towel or other bulky cloth in place of pot holders. Do not let pot holders touch hot burners, or burner grates.
- For personal safety, wear proper apparel. Loose fitting garments or hanging sleeves should never be worn while using this appliance. Some synthetic fabrics are highly flammable and should not be worn while cooking.
- Do not use aluminum foil to line any part of the cooktop. Using a foil liner could result in a fire hazard.



## **WARNING:**

**This appliance is for cooking. Based on safety considerations, never use the cooktop to warm or heat a room.**



## **WARNING:**

**When using the cooktop: Do not touch the burner grates or the immediate surrounding area. Areas adjacent to the burners may become hot enough to cause burns.**

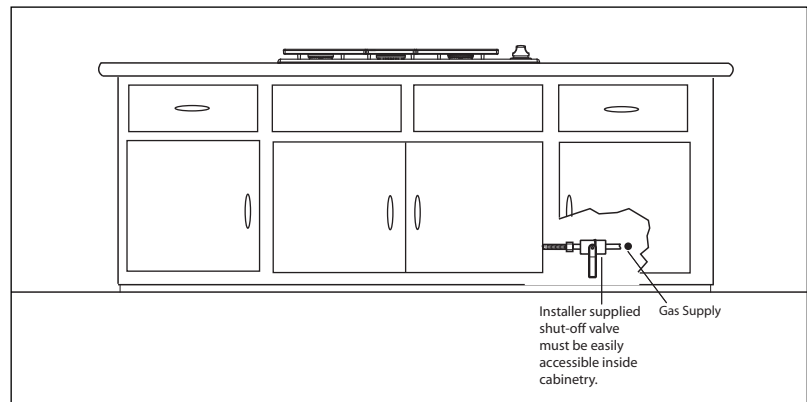
- Never leave the cooktop unattended when using high flame settings. A possible boil over could cause smoking or greasy spill overs may ignite. More importantly, if the burner flames are smothered by a severe boil over which effects the igniter, the unburned gas will escape into the room, which would be extremely dangerous.
- Only certain types of glass, heat-proof glass-ceramic, ceramic, earthen ware, or other glazed utensils are suitable for use on the open flame of the cooktop. Utensils that are not thermally heat safe may break with sudden temperature changes.
- Do not heat unopened food containers; a build up of pressure may cause the container to burst.
- During cooking, set the burner control so that the flame heats at the bottom of the pan and does not curl around the bottom edges of the pan. This could heat and/or melt the handles.
- Always use utensils that have flat bottoms large enough to cover the burner. The use of undersized utensils will expose a portion of the flame to direct contact and may result in ignition of clothing.
- To minimize burns, ignition of flammable materials and accidental spill overs, position handles of utensils inward so they do not extend over adjacent work areas, cooking areas, or the outside edges of the cooktop.
- Hold the handle of the pan to prevent movement of the utensil when stirring or turning food.
- Grease is flammable. Do not use water on grease fires. Turn OFF the burner, then smother the fire with baking soda or use a dry chemical or foam-type fire extinguisher. Let hot grease cool before attempting to handle it. Avoid letting grease deposits collect around the base of the cooktop burners. Clean after each use or boil over.
- Use splatter screens over pans when frying foods to minimize possible grease burns. Be sure not to use a flame that is too high.
- For proper lighting and performance of the cooktop burners, keep the burner ports clean. It may be necessary to clean these when there is a boil over or when the burner does not light, even though the electronic igniters click.
- Clean the cooktop with caution. Avoid steam burns; do not use a wet sponge or cloth to clean the cooktop while it is hot. Some cleaners produce noxious fumes if applied to a hot surface. Follow directions provided by the cleaner manufacturer.

# SAFETY PRACTICES & PRECAUTIONS

- Be sure all the cooktop controls are turned off and the appliance is cool before using any type of aerosol cleaner on or around the appliance. The chemical that produces the spraying action could, in the presence of heat, ignite or cause metal parts to corrode.
- Clean the ventilator hood and filters above the cooktop frequently so grease from cooking vapor does not accumulate.
- Turn the ventilator OFF in case of fire. The blower, if in operation, could unsafely spread the flames.
- Do not obstruct the flow of combustion or ventilation air to the appliance. Be sure a fresh air supply is available.
- For safety reasons and to avoid damage to the appliance never sit, stand, or lean on the cooking surface.
- Service should only be done by authorized technicians. Service technicians must disconnect the power supply before servicing this appliance.
- California Proposition 65 - Warning: The burning of gas cooking fuel generates some by-products which are known by the State of California to cause cancer or reproductive harm. California law requires businesses to warn customers of potential exposure to such substances. To minimize exposure to these substances, always operate this unit according to the instructions contained in this booklet and provide good ventilation to the room when cooking with gas.

## **Note:**

***This product must be installed by a licensed plumber or gas fitter when installed within the Commonwealth of Massachusetts.***



# COOKTOP USE

## CAUTION:

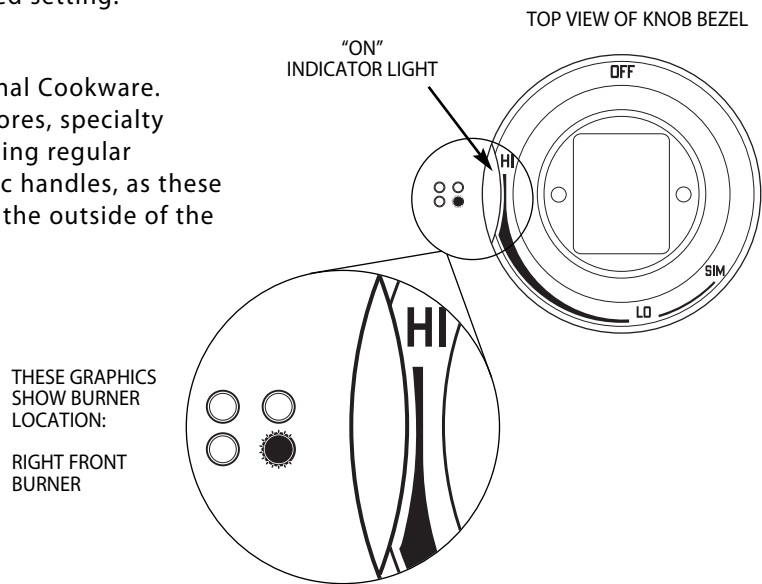
For warranty coverage, DCS requires that burner adjustments be made by a qualified technician at the time of installation. Extreme care should be used when adjustments are made after installation.

## CONTROL KNOBS:

The control knobs and knob bezels are readily associated with the burners they control and are located on the right hand side of the Cooktop. The sealed top burners have an infinite number of heat settings and there are no fixed positions on the control knobs between HI and SIM (with the exception of LOW). To light the burner push control knob in and rotate counterclockwise. An audible clicking sound will be heard and the burner should light immediately. To use, turn the knob to the desired setting.

## COOKING UTENSILS:

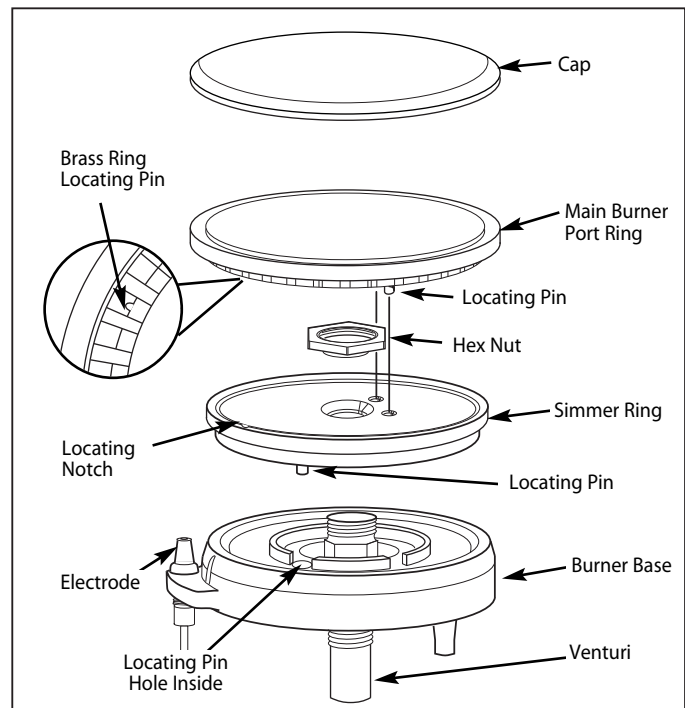
For best results we recommend using Professional Cookware. These can be found at your finer department stores, specialty cooking shops, or restaurant supply stores. If using regular cookware be very careful if the pans have plastic handles, as these large professional size burners can flame up on the outside of the pan and melt or bubble the handles.



## BURNERS:

Your new Drop-In Cooktop is equipped with burners typical of those used in restaurants. These restaurant style burners are comprised of high strength die cast aluminum burner bases and simmer port rings, precision forged brass port rings, and cast iron burner caps.

Model CTD-365 cooktop is equipped with 4 burners rated at 11,000 Btu/hr, and one high-output burner rated at 17,500 Btu/hr. Model CTD-304 is equipped with 2 burners rated at 11,000 Btu/hr, 1 burner rated at 10,000 and 1 high-output burner rated at 15,500 Btu/hr (for natural gas). All Drop-In Cooktop burners have exceptionally low simmer capabilities (See chart on page 7). The burner system is designed for maximum cleanability and control. All the cooktop burners have electronic spark re-ignition to eliminate continuously burning pilot; if the flame is blown out, it will relight.





# COOKTOP USE

## ELECTRONIC IGNITERS:

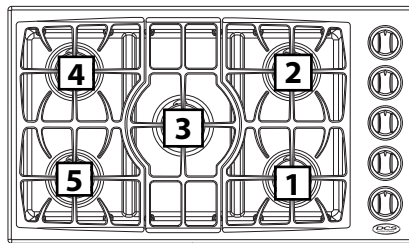
If a burner does not light or re-ignite, listen for the clicking sound. If all the igniters are not clicking, turn off the burner. Check the circuit panel for a blown fuse or a tripped circuit breaker. If one burner is not lighting, see page 9 for cleaning instructions.

## BURNER EFFICIENCY:

It is necessary to keep the burner ports and the igniters clean for proper lighting and efficient performance. The burner flame should burn completely around the burner with no excessive noise or lifting. The flame should be blue in color and stable with no yellow tips.

**CTD-365**

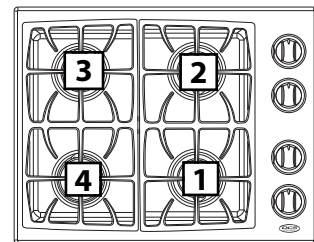
Burner Location	MAX. Btu/hr		LOW Btu/hr	SIMMER Btu/hr
	NAT	LP	NAT & LP	NAT & LP
1, 2, 4, 5	11,000	10,000	3,000	1,200
3	17,500	15,000	3,000	1,200



Cabinet front

**CTD-304**

Burner Location	MAX. Btu/hr		LOW Btu/hr	SIMMER Btu/hr
	NAT	LP	NAT & LP	NAT & LP
1	10,000	10,000	3,000	1,200
2, 3	11,000	10,000	3,000	1,200
4	15,500	15,000	3,000	1,200



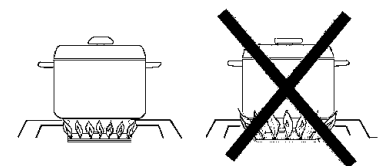
Cabinet front

## FLAME HEIGHT:

The correct height of the flame mainly depends on the size of the bottom of the cooking utensil, the material of the cooking utensil, the amount and type of food and the amount of liquid in the utensil. Following are some basic rules for selecting flame height.

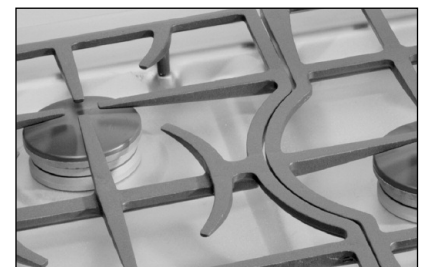
- For safety reasons the flame must never extend beyond the bottom of the cooking utensil.
- Never allow flames to curl up the side of the pan.
- Utensils which conduct heat slowly (such as glass-ceramic) should be used with medium to low flames. If you are cooking with a large amount of liquid a slightly larger flame can be used.

PROPER FLAME HEIGHT



## BURNER GRATES:

The cast iron burner grates are fully porcelain coated for long life and rust prevention. Hi-Temperature cushions allow the grate to rest softly on the cooktop without scratching. The grates are designed for easy sliding of pots across the grate tops. They were designed in interlocking sections to make them safer, easier to remove and clean. For additional cleaning tips see the care and maintenance section.



# CARE AND MAINTENANCE

## CLEANING THE COOKTOP



### **WARNING:**

Be careful cleaning any part of this appliance while hot.

All parts of the appliance can be cleaned with a small amount of hot soapy water, rinsed, dried and buffed to a shine with a soft, heavy pile cloth. Always try this first, as it is the mildest cleaning procedure.

1. Use the mildest cleansers first. Some brands of cleaners are harsher than others and may cause metal parts to discolor or corrode, read their directions. Be sure all the cooktop controls are turned OFF and the appliance is COOL before using any type of aerosol cleaner on or around the appliance. The chemical that produces the spraying action could, in the presence of heat, ignite.
2. To avoid marring the surfaces, always rub metal finishes in the direction of the polish lines. The cleaner will be more effective when used in the direction of the polish lines.
3. Use only clean sponges, soft cloths, paper towels, and plastic non-metal for cleaning or scouring (use only soap pads with soap still in them, an empty pad can scratch), as recommended in this section.
4. Be sure to rinse all parts thoroughly and wipe dry to avoid water marks.
5. If stains remain on the bottom of the cooktop sump, use this easy procedure. Place a paper collar around the burner and igniter, tape it together. This will cover the aluminum under the burner cap and the igniter. Spray the dirty area with Easy Off® or SOS Oven Cleaner® when cool. Cover with paper towel. Leave on for 4 hours or overnight. With a warm wet sponge, wipe clean and polish with a lint free soft towel. You should never use anything stronger than a sponge or a plastic non-metal sponge on your cooktop.

### **BRAND NAMES:**

In this section, the use of name brands is intended only to indicate a type of cleaner. This does not constitute an endorsement. The omission of any name brand cleaner does not imply its adequacy or inadequacy. Many products are regional in distribution and can be found in the local markets and department stores.

### **CLEANING THE BURNER GRATES:**

Turn off all the burners and **allow the grates to cool before starting to clean** the cooktop. Rapid cooling of the grates, for instance, placing hot grates in cool or tepid water to clean, can thermally shock the porcelain coating and cause cracking or chipping. If you wipe off any part of the cooktop while it is hot, do so carefully as using a wet sponge or cloth can result in steam burns.

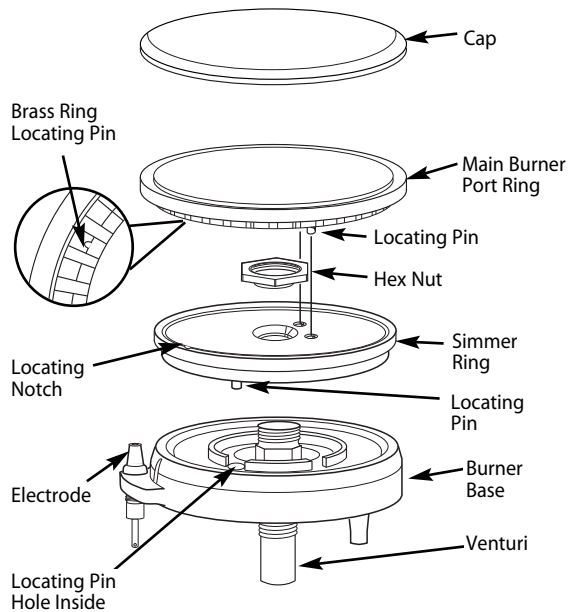
Once the grates are cool they may be wiped clean while on the cooktop using hot soapy water, then rinsed and wiped dry or they may be placed in the dishwasher for easy cleaning. The occasional use of mild abrasive cleansers such as Bon-Ami®, Soft Scrub® or a soap-filled plastic or non-metal pad is okay. Abrasive cleansers, used vigorously or too often, can eventually harm the enamel. Apply with a damp sponge, rinse thoroughly and dry.

# CARE AND MAINTENANCE

## CLEANING THE BURNERS:

For proper lighting and performance, keep the burners clean and dry. It is necessary to clean the burners if they do not light although the igniter clicks, whenever there has been a severe boil over or when the flame doesn't burn blue.

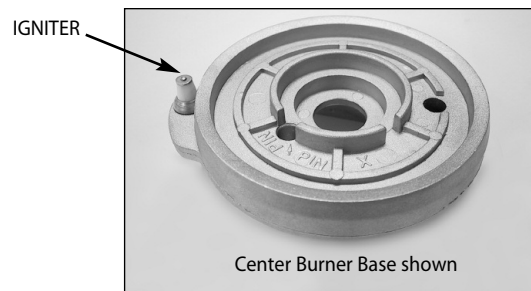
Be certain all burner knobs are in the **OFF** position before attempting to clean the burners. The burners have been designed for ease of cleaning. When the grates and burners are cool, remove the grate. The Burner Cap and the Brass Port Ring can easily be lifted off. Wash these parts in hot soapy water, rinse and dry thoroughly. The Burner Caps are porcelain enamel, follow the directions on page 8 that were given to clean the burner grates. A bristle brush can be used to clean out the toothed burner ports, if necessary. Disassembly of the Simmer Ring is not recommended, however, it may become necessary to do so if the ports remain clogged after normal cleaning. If it is necessary to disassemble the Simmer Ring from the Base, remove the Hex Nut at the top of the Simmer Ring. Clean the Simmer Ring with hot soapy water using a soft wire or plastic bristle brush then dry thoroughly. Re-assemble the parts using the Hex Nut.



After cleaning, it is important to make sure the Locating Pin on the bottom side of the Simmer Ring is properly aligned with the corresponding hole in the Base and that the Locating Pin (see above) in the bottom side of the Brass Port Ring is properly aligned with the Locating Notch on the top side of the Simmer Ring. Incorrect alignment will produce a potentially dangerous flame and poor burner performance. See the illustration above.

## CLEANING THE IGNITERS:

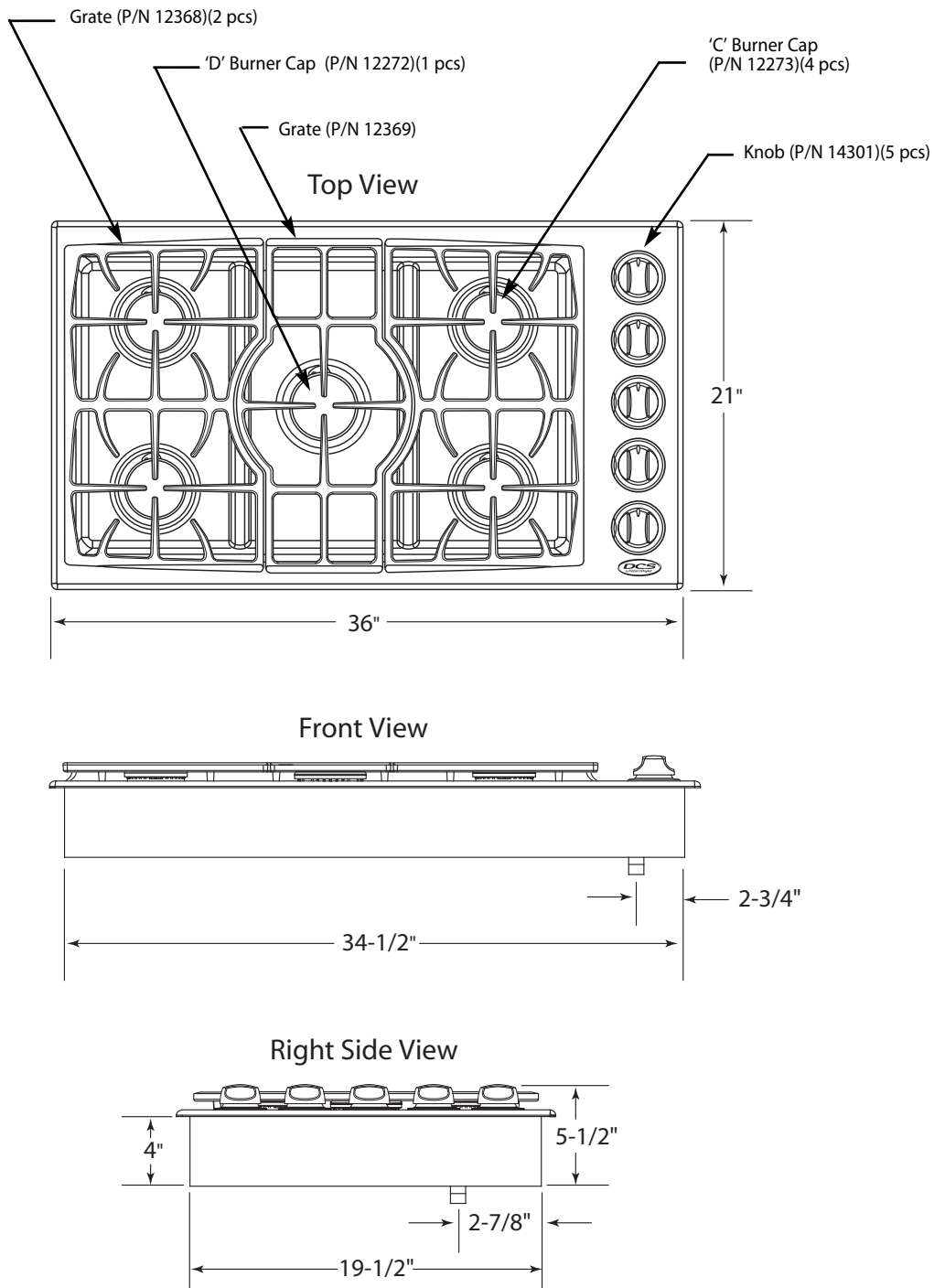
Be certain all burner knobs are in the **OFF** position before attempting to clean the igniters. Gently wipe with an alcohol dampened cotton swab and be careful not to damage the igniter.



# PRODUCT MEASUREMENT SPECIFICATIONS

Dimensions shown below are for product reference only. REFER TO THE PRODUCT INSTALLATION GUIDE FOR CABINET PREPARATION AND CUTOUT SPECIFICATIONS.

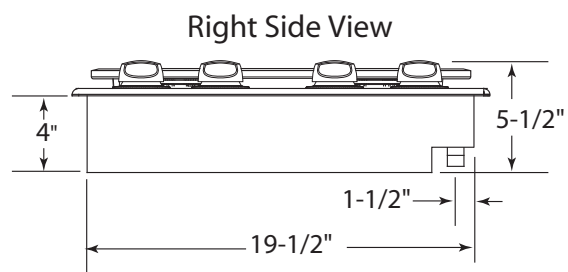
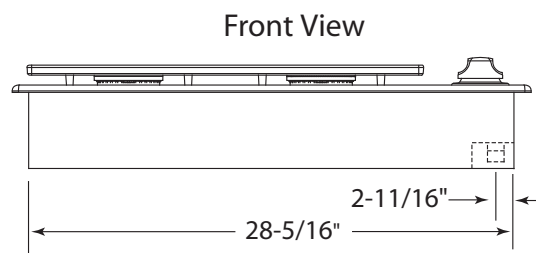
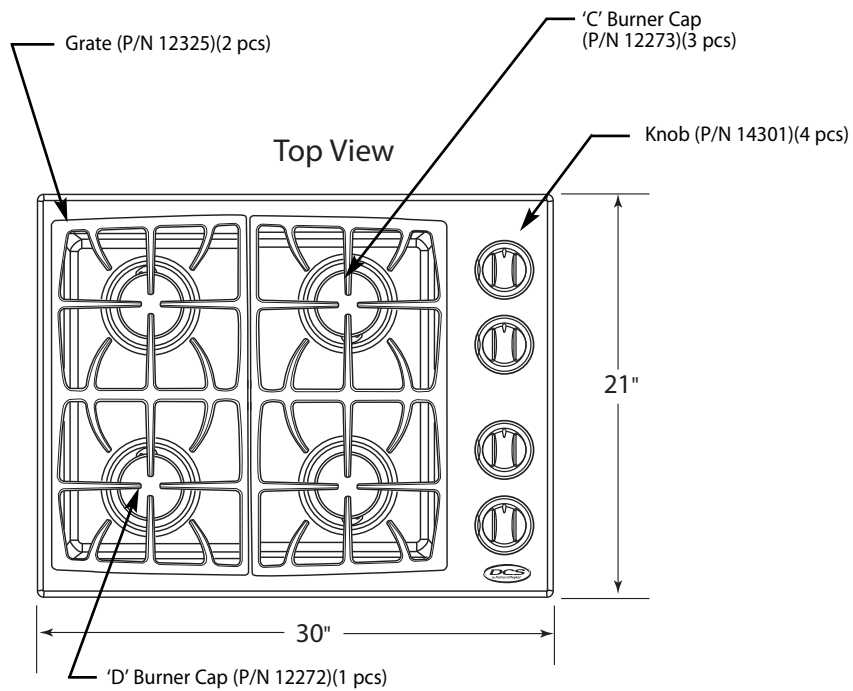
## CTD-365



# PRODUCT MEASUREMENT SPECIFICATIONS

Dimensions shown below are for product reference only. REFER TO THE PRODUCT INSTALLATION GUIDE FOR CABINET PREPARATION AND CUTOUT SPECIFICATIONS.

## CTD-304



# SERVICE

## HOW TO OBTAIN SERVICE:

For warranty service, contact our DCS Customer Care Representative at (888) 281-5698. Before you call, please have the following information ready:

- Model Number (located at the bottom of chassis, right corner)
- Serial Number (located at the bottom of chassis, right corner)
- Date of installation
- A brief description of the problem

Your satisfaction is of the utmost importance to us. If a problem cannot be resolved to your satisfaction, please write to Customer Care or email: [support@dcsappliances.com](mailto:support@dcsappliances.com)

Write:

Fisher & Paykel Appliances, Inc.  
Attention: DCS Customer Care  
5900 Skylab Road  
Huntington Beach, CA 92647

# WARRANTY

## LIMITED WARRANTY

When you purchase a new DCS Drop-in Cooktop you automatically receive a One Year Limited Warranty covering parts and labor for the entire product, and a Five Year Limited Warranty on the structural integrity of the exterior and interior body parts for servicing within the 48 mainland United States, Hawaii, Washington D.C. and Canada. In Alaska the Limited Warranty is the same except that you must pay to ship the Product to the service shop or the service technician's travel to your home. Products for use in Canada must be purchased through the Canadian distribution channel to ensure regulatory compliance. Should rusting occur to the degree of non-performance, replacement parts will be furnished. This does not apply if the unit was subjected to other than normal residential use.

If the Product is installed in a motor vehicle, boat or similar mobile facility, you receive the same One Year Limited Warranty, but you must bring the vehicle, boat or mobile facility containing the Product to the service shop at your expense or pay the service technician's travel to the location of the Product.

## FISHER & PAYKEL UNDERTAKES TO:

Repair without cost to the owner either for material or labor any part of the Product, the serial number of which appears on the Product, which is found to be defective. In Alaska, you must pay to ship the Product to the service shop or for the service technician's travel to your home. If the Product is installed in a motor vehicle, boat or similar mobile facility, you must bring it to the service shop at your expense or pay for the service technician's travel to the location of the Product.

If we are unable to repair a defective part of the Product after a reasonable number of attempts, at our option we may replace the part or the Product, or we may provide you a full refund of the purchase price of the Product (not including installation or other charges).

This warranty extends to the original purchaser and any succeeding owner of the Product for products purchased for ordinary single-family home use. All service under this Limited Warranty shall be provided by Fisher & Paykel Appliances Inc. or its Authorized Service Agent during normal business hours.

## HOW LONG DOES THIS LIMITED WARRANTY LAST?

Our liability under this Limited Warranty for the entire product expires One Year from the date of purchase of the Product by the first consumer. Our liability under this Limited Warranty for the structural integrity of the exterior and interior body parts expires Five Years from the date of purchase of the Product by the first consumer.

Our liability under any implied warranties, including the implied warranty of merchantability (an unwritten warranty that the Product is fit for ordinary use) also expires One Year (or such longer period as required by applicable law) from the date of purchase of the Product by the first consumer. Some states do not allow limitations on how long an implied warranty lasts, so this limit on implied warranties may not apply to you.

## THIS WARRANTY DOES NOT COVER:

- A. Service calls that are not related to any defect in the Product. The cost of a service call will be charged if the problem is not found to be a defect of the Product. For example:
  1. Correct faulty installation of the Product.
  2. Instruct you how to use the Product.
  3. Replace house fuses, reset circuit breakers, correct house wiring or plumbing, or replace light bulbs.
  4. Correct fault(s) caused by the user.
  5. Change the set-up of the Product.
  6. Unauthorized modifications of the Product.
  7. Noise or vibration that is considered normal, for example, drain/fan sounds, regeneration noises or user warning beeps.

# WARRANTY

8. Correcting damage caused by pests, for example, rats, cockroaches etc.
- B. Defects caused by factors other than:
  1. Normal domestic use or
  2. Use in accordance with the Product's Use and Care Guide.
- C. Defects to the Product caused by accident, neglect, misuse, fire, flood or Act of God.
- D. The cost of repairs carried out by non-authorized repairers or the cost of correcting such unauthorized repairs.
- E. Travel Fees and associated charges incurred when the product is installed in a location with limited or restricted access (i.e. airplane flights, ferry charges, isolated geographic areas).
- F. Normal recommended maintenance as set forth in the Product's Use and Care Guide.

If you have an installation problem contact your dealer or installer. You are responsible for providing adequate electrical, exhausting and other connection facilities. We are not responsible for consequential or incidental damages (the cost of repairing or replacing other property damaged if the Product is defective or any of your expenses caused if the Product is defective). Some states do not allow the exclusion or limitation of incidental or consequential damages, so the above limitation or exclusion may not apply to you.

## HOW TO GET SERVICE

Please read your Use and Care Guide. If you then have any questions about operating the Product, need the name of your local DCS Authorized Service Agent, or believe the Product is defective and wish service under this Limited Warranty, please contact your dealer or call us at:

TOLL FREE 1-888-281-5698 or contact us through our web site: [www.dcsappliances.com](http://www.dcsappliances.com)

You may be required to provide reasonable proof of the date of purchase of the Product before the Product will be serviced under this Limited Warranty.

## COMMERCIAL USE

This warranty applies to appliances used in residential applications; it does not cover their use in commercial situations.

## NO OTHER WARRANTIES

This Limited Warranty is the complete and exclusive agreement between you and Fisher & Paykel Appliances Inc. regarding any defect in the Product. None of our employees (or our Authorized Service Agents) are authorized to make any addition or modification to this Limited Warranty.

Warrantor: Fisher & Paykel Appliances, Inc.

If you need further help concerning this Limited Warranty, please call us at the above number, or write to:

Fisher & Paykel Appliances, Inc.  
Attention: DCS Customer Care  
5900 Skylab Road, Huntington Beach, CA 92647

This Limited Warranty gives you specific legal rights, and you may also have other rights which vary from state to state.

Fisher & Paykel Appliances Inc. is a leading manufacturer of premium quality cooking and specialty appliances under the Fisher & Paykel and DCS brands.





## TABLE DE CUISSON SUSPENDUE PROFESSIONNELLE

- 36 PO À 5 BRÛLEURS
- 30 PO À 4 BRÛLEURS

Manuel d'utilisation et d'entretien



### MODÈLES :

CTD-365 (indiqué)  
CTD-304



# À NOTRE CLIENTÈLE

Nous vous remercions d'avoir choisi cette table de cuisson suspendue professionnelle DCS. Nous avons conçu ce Manuel d'utilisation et d'entretien pour expliquer ses fonctions uniques. Il contient des informations extrêmement utiles sur la façon de faire fonctionner et d'entretenir correctement votre nouvel appareil. Vous pourrez ainsi en profiter pendant des années en toute sécurité.

Aidez-nous à mieux vous servir en remplissant l'enregistrement du propriétaire et en nous la soumettant depuis notre site Web à [www.dcsappliances.com](http://www.dcsappliances.com). Sélectionnez « Service à la clientèle » sur la page d'accueil puis « Enregistrement du propriétaire », ou envoyez-nous par courrier la Carte d'enregistrement du propriétaire à l'adresse ci-dessous. De plus, gardez ce manuel à portée de main afin de rapidement trouver réponse à vos questions durant l'utilisation de votre nouvel appareil.

Si vous avez des questions au sujet de notre produit, contactez le Centre de service à la clientèle DCS par téléphone : 1-888-281-5698 par courrier ou email : [support@dcsappliances.com](mailto:support@dcsappliances.com), ou écrivez nous l'adresse suivante:

Fisher & Paykel Appliances, Inc.  
Attention: DCS Customer Care  
5900 Skylab Road  
Huntington Beach, CA 92647  
États-Unis

**REMARQUE :** Veuillez noter les numéros de modèle et de série sur cette page pour information (bas du châssis, coin droit)

NUMÉRO DE MODÈLE \_\_\_\_\_

NUMÉRO DE SÉRIE \_\_\_\_\_

## AVERTISSEMENT

Toute installation, ajustement, altération ou entretien incorrect peut causer des dommages matériels, des blessures ou la mort. Veuillez lire soigneusement ces instructions d'installation, d'utilisation et d'entretien avant d'utiliser, installer ou effectuer l'entretien de cet appareil.

## AVERTISSEMENT

Évitez de stocker ou d'utiliser de l'essence ou tous autres liquides et vapeurs inflammables à proximité de cet appareil ou de tout autre appareil électroménager.

## DANGER

Si vous sentez une odeur de gaz :

1. N'allumez aucun interrupteur électrique; n'utilisez aucun téléphone dans l'édifice.
2. Appelez immédiatement votre fournisseur de gaz de chez un voisin. Suivez les instructions du fournisseur de gaz.
3. Si vous n'arrivez pas à joindre votre fournisseur de gaz, appelez les pompiers. Toute installation ou service doit être confiée à un installateur qualifié, un organisme de service ou le fournisseur de gaz.

**VEUILLEZ CONSERVER CE MANUEL À TITRE DE RÉFÉRENCE.**

# TABLE DES MATIÈRES

MESURES DE SÉCURITÉ ET DE PRÉCAUTION	3-5
UTILISATION DE LA TABLE DE CUISSON	6-8
Boutons de réglage	6
Ustensiles de cuisson	6
Brûleurs	7
Allumeurs électroniques	7
Efficacité des brûleurs	8
Hauteur de la flamme	8
Grilles des brûleurs	8
ENTRETIEN ET MAINTENANCE	9-10
Nettoyage de la table de cuisson	9
Nettoyage des grilles des brûleurs	9
Nettoyage des brûleurs	10
Nettoyage des allumeurs	10
SPÉCIFICATIONS DES DIMENSIONS DU PRODUIT	11-12
SERVICE	13
GARANTIE	14-16

# MESURES DE SÉCURITÉ ET DE PRÉCAUTION

Votre nouvel appareil DCS fonctionnera de manière sûre et fiable pendant des années si vous en prenez soin. Faites extrêmement attention quand vous utilisez cet appareil de cuisson de niveau professionnel car il dégage une chaleur intense et peut augmenter les risques d'accidents. Vous devez respecter des consignes de sécurité élémentaires durant l'utilisation d'appareils de cuisine, dont celles-ci :

- Veuillez lire attentivement ce manuel d'utilisation et d'entretien **avant** d'utiliser votre nouvel appareil. Ceci vous permettra de réduire les risques d'incendie, de choc électrique ou de blessures.
- Commencez par vous assurer que l'installation et l'entretien sont effectués correctement. Suivez les instructions d'installation fournies avec cet appareil. Avant d'utiliser l'appareil, confiez son installation et sa mise à la terre à un technicien qualifié.
- Demandez-lui de vous montrer l'emplacement du robinet d'arrêt de l'alimentation de gaz afin de savoir comment couper l'arrivée de gaz.
- Si vous sentez une odeur de gaz, cela signifie que l'installateur n'a pas vérifié correctement s'il y avait des fuites. Si les connexions ne sont pas complètement étanches, une petite fuite pourrait se produire et laisser s'échapper une faible odeur de gaz. La détection des fuites n'est pas une procédure à faire soi-même. Certaines fuites ne peuvent être détectées que si la commande du brûleur est sur ON. Dans l'intérêt de votre sécurité, confiez cette procédure à un technicien qualifié.
- Si jamais un brûleur s'éteint sans se rallumer et laisse s'échapper du gaz, ouvrez la fenêtre ou la porte pour évacuer l'air. N'essayez pas d'utiliser l'appareil avant la dissipation complète du gaz.
- Cet appareil électroménager a été monté en usine pour être utilisé avec du gaz naturel ou propane tel qu'indiqué par le numéro de modèle.
- **Ne réparez pas** ni ne remplacez aucune pièce de cet appareil, sauf indication contraire du manuel. Tout autre travail d'entretien doit être confié à un technicien qualifié.

## **AVERTISSEMENT :**

Les enfants ne doivent pas être laissés seuls ou sans surveillance dans un endroit où l'on utilise des appareils électroménagers. Il ne faut jamais les laisser tourner ou enfoncer des boutons, ni s'asseoir ou se tenir debout sur ces appareils.

## **AVERTISSEMENT :**

ne rangez pas sur ou autour de la table de cuisson d'objet pouvant attirer l'attention des enfants. Ceux-ci peuvent se blesser sérieusement s'ils grimpent sur l'appareil ou s'étirent par dessus pour atteindre l'objet en question.

- **Ne rangez jamais rien sur la table de cuisson.** Des matériaux inflammables pourraient prendre feu accidentellement, des éléments en plastique pourraient fondre ou s'enflammer et d'autres types d'objets pourraient être détruits.
- Ne suspendez aucun objet sur aucune partie de l'appareil. Certains matériaux sont très inflammables et pourraient prendre feu.
- Si l'appareil se trouve près d'une fenêtre, assurez-vous que les rideaux sont suffisamment éloignés des brûleurs de la table de cuisson; ils pourraient prendre feu sinon.
- Ne laissez jamais des vêtements, gants ou autres matériaux inflammables en contact ou à proximité d'un brûleur ou d'une grille de brûleur tant que ces derniers n'ont pas refroidi. Les tissus peuvent s'enflammer et causer des blessures.

# MESURES DE SÉCURITÉ ET DE PRÉCAUTION

- Utilisez seulement des gants isolants secs : l'emploi de gants humides sur des surfaces chaudes peut provoquer des brûlures causées par la vapeur. N'utilisez pas de serviette ou de chiffon épais à la place de gants isolants. Ne laissez pas les gants isolants toucher les brûleurs ou leurs grilles.
- Pour assurer votre propre sécurité, habillez-vous de façon appropriée. Ne portez jamais de vêtements ou de manches lâches lorsque vous utilisez l'appareil. Certains tissus synthétiques sont extrêmement inflammables et ne doivent pas être portés pendant la cuisson.
- Ne recouvrez aucune partie de la table de cuisson avec du papier aluminium. L'utilisation de papier aluminium peut créer un risque d'incendie.



## AVERTISSEMENT :

cet appareil électroménager est destiné à la cuisson. Pour des raisons de sécurité, n'utilisez jamais la table de cuisson pour chauffer une pièce.



## AVERTISSEMENT :

Durant l'utilisation de la table de cuisson : ne touchez pas les grilles des brûleurs ou les surfaces adjacentes. Ces surfaces peuvent devenir suffisamment chaudes pour provoquer des brûlures

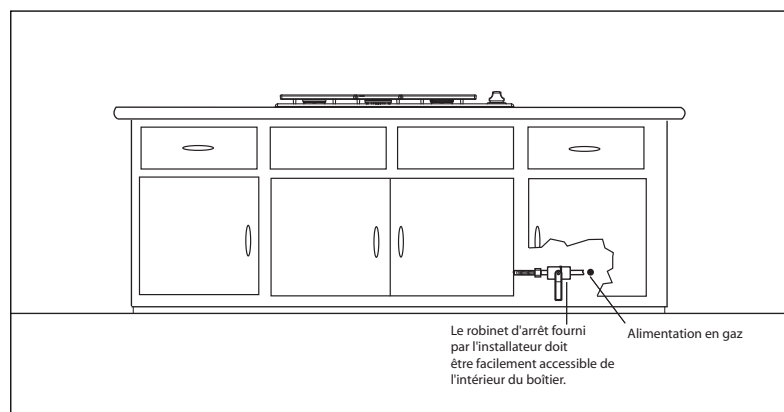
- **Ne laissez jamais la table de cuisson sans surveillance lorsque vous cuisinez à flamme haute.** Un débordement par bouillonnement pourrait produire de la fumée ou un déversement graisseux pourrait prendre feu. Et, surtout, si les flammes des brûleurs sont étouffées par un débordement important affectant l'allumeur, **le gaz non brûlé s'échappera dans la pièce, ce qui serait extrêmement dangereux.**
- Seuls certains types d'ustensiles en verre, vitrocéramique calorifugée, céramique, poterie ou émaillés sont appropriés pour être utilisés sur la flamme vive de la table de cuisson. Les ustensiles non thermorésistants peuvent se briser à la suite de changements de température soudains.
- Ne chauffez pas de contenant de nourriture fermé car la pression pourrait s'accumuler et le faire exploser.
- Durant la cuisson, réglez la commande du brûleur de sorte que la flamme ne chauffe que le fond du récipient et ne lèche pas ses rebords inférieurs. Cela pourrait chauffer ou faire fondre les poignées.
- Servez-vous toujours d'ustensiles à fond plat suffisamment larges pour couvrir les brûleurs. L'utilisation d'ustensiles trop petits risque d'offrir un contact direct à la flamme et de mettre le feu aux vêtements
- Afin de réduire le risque de brûlures, d'allumage de matériaux inflammables et de déversement accidentel, tournez les poignées des ustensiles vers l'intérieur afin qu'elles ne surplombent pas les surfaces de travail adjacentes, les zones de cuisson et les bords extérieurs de la table de cuisson.
- Tenez la poignée du récipient afin d'empêcher tout mouvement de l'ustensile lorsque vous retournez ou remuez la nourriture.
- **La graisse est inflammable.** Ne versez pas d'eau sur les feux de graisse. ÉTEIGNEZ le brûleur, puis étouffez le feu avec du bicarbonate de soude ou à l'aide d'un extincteur à poudre ou à mousse. Laissez toute graisse chaude refroidir avant d'essayer de la manipuler. Évitez de laisser la graisse s'accumuler autour de la base des brûleurs de la table de cuisson. Nettoyez après chaque utilisation ou déversement.

# MESURES DE SÉCURITÉ ET DE PRÉCAUTION

- Recouvrez les poêles à frire de grilles anti-éclaboussures pour éviter les risques de brûlures à l'huile. Prenez soin de ne pas utiliser une flamme trop haute.
- Pour assurer un bon allumage et une bonne performance des brûleurs de la table de cuisson, gardez leurs ports dans un état propre. Il peut s'avérer nécessaire de nettoyer ceux-ci en cas de débordement ou lorsque le brûleur ne s'allume pas, même si les allumeurs électroniques cliquent.
- Nettoyez la table de cuisson avec précaution. Évitez de vous brûler à la vapeur : n'utilisez pas d'éponge ou de chiffon mouillé pour nettoyer l'appareil alors qu'il est encore chaud. Certains produits de nettoyage dégagent des vapeurs nocives au contact d'une surface chaude. Respectez le mode d'emploi du fabricant du produit de nettoyage.
- Assurez-vous que les boutons de l'appareil sont fermés et que celui-ci est froid avant d'utiliser des nettoyants aérosol à proximité. L'élément chimique qui produit le jet de vaporisation peut, en présence de chaleur, s'enflammer ou provoquer la corrosion des parties métalliques.
- Nettoyez fréquemment la hotte et les filtres de ventilation surplombant la table de cuisson afin d'empêcher toute accumulation de graisse provenant des vapeurs de cuisson.
- ÉTEIGNEZ le ventilateur en cas d'incendie. Si le ventilateur est en marche, il pourrait en effet répandre les flammes.
- Ne bloquez pas la circulation de l'air de combustion ou de ventilation. Assurez toujours un apport d'air frais.
- Pour des raisons de sécurité et pour ne pas endommager l'appareil, évitez de vous asseoir, de vous tenir debout ou de vous appuyer contre la surface de cuisson.
- Les réparations doivent être effectuées par des techniciens agréés uniquement. Ceux-ci doivent débrancher le bloc d'alimentation avant de travailler sur l'appareil.
- Avertissement concernant la proposition 65 de la Californie : l'incinération de gaz de cuisson génère des sous-produits considérés par l'État de Californie comme pouvant causer le cancer ou des malformations congénitales. Les lois de Californie exigent que les entreprises avertissent leurs clients qu'ils risquent d'être exposés à de telles substances. Pour minimiser l'exposition à ces substances, faites toujours fonctionner l'appareil conformément aux instructions contenues dans ce manuel et assurez une bonne ventilation lorsque vous cuisinez au gaz

## REMARQUE :

*Ce produit doit être installé par un plombier ou ajusteur d'appareils à gaz agréé si l'installation a lieu au sein du Commonwealth du Massachusetts.*



# UTILISATION DE LA TABLE DE CUISSON

## MISE EN GARDE :

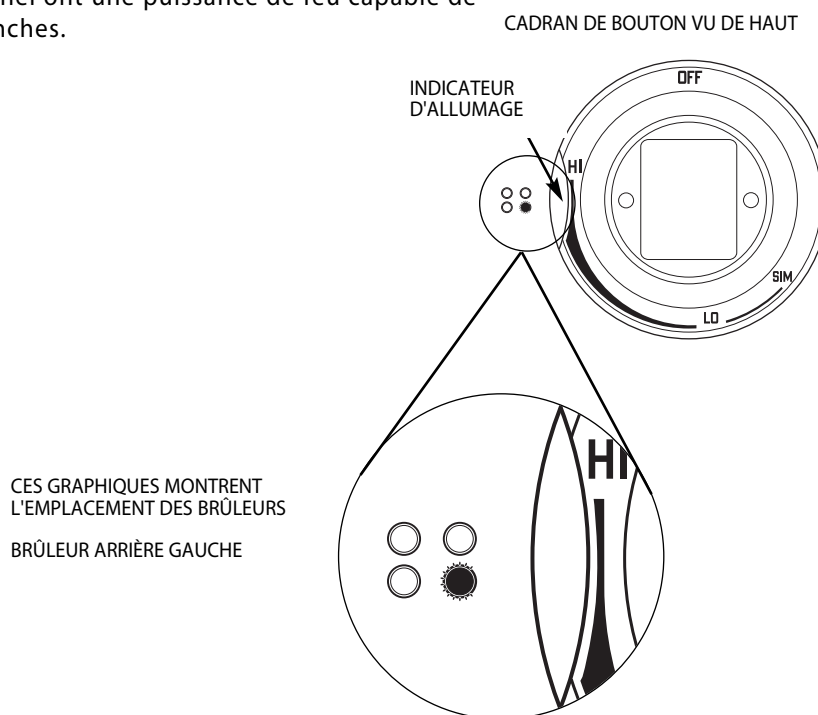
Aux fins de la garantie, DCS exige que le réglage des brûleurs soit effectué par un technicien qualifié au moment de l'installation. Faites extrêmement attention quand les réglages sont effectués après l'installation. La garantie sera annulée si les réglages sont effectués incorrectement ou pas du tout.

## BOUTONS DE RÉGLAGE :

Les boutons de réglage et leurs cadrans sont facilement associés aux brûleurs qu'ils contrôlent et sont situés sur le côté droit de la table de cuisson. Les brûleurs à tête scellée permettent un réglage continu de la flamme et leurs boutons de réglage ne comportent pas de position fixe entre les niveaux HI et SIM (à l'exception de LOW). Pour allumer le brûleur, enfoncez le bouton de réglage et tournez-le vers la gauche. Vous devriez entendre un déclic et voir le brûleur s'allumer immédiatement. Réglez le bouton au niveau désiré.

## USTENSILES DE CUISSON :

Nous vous recommandons d'utiliser des ustensiles professionnels pour obtenir les meilleurs résultats possibles. Vous en trouverez dans les grands magasins de qualité, les boutiques spécialisées ou les fournisseurs en restauration. Si vous utilisez des ustensiles ordinaires, faites très attention s'ils possèdent des manches en plastique car ces brûleurs de format professionnel ont une puissance de feu capable de faire fondre ou de gonfler les manches.

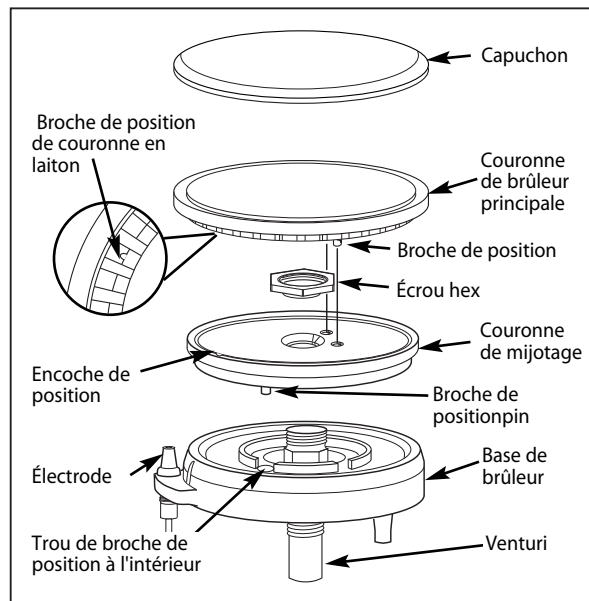


# UTILISATION DE LA TABLE DE CUISSON

## BRÔLEURS :

Votre nouvelle table de cuisson suspendue est équipée de brûleurs similaires à ceux que l'on utilise dans les restaurants. Ces brûleurs comportent des bases et des couronnes de mijotage en aluminium moulé haute résistance, des couronnes en laiton forgées avec précision et des capuchons en fonte.

Votre table de cuisson modèle CTD-365 est équipée de 4 brûleurs prévus pour 11 000 BTU/H et d'un brûleur haute performance prévu pour 17 500 BTU/H. Le modèle CTD-304 est équipé de deux brûleurs prévus pour 11 000 BTU/H, d'un brûleur prévu pour 10 000 BTU/H, et d'un brûleur haute performance prévu pour 15 500 BTU/H (pour le gaz naturel). Votre nouvelle table de cuisson est dotée d'une capacité de cuisson à petit feu exceptionnelle. (Voir tableau ci-dessous.) Le système des brûleurs est conçu pour être extrêmement facile à nettoyer et régler. L'ensemble des brûleurs est doté d'un système de rallumage électronique, ce qui évite d'avoir des veilleuses toujours allumées. Si la flamme s'éteint, elle se rallume toute seule.



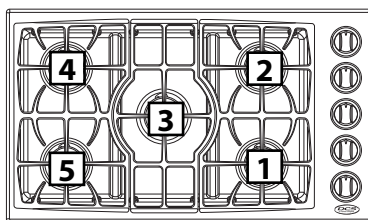
## ALLUMEURS ÉLECTRONIQUES :

Si un brûleur ne s'allume ou ne se rallume pas, écoutez s'il y a un déclic. Si tous les allumeurs ne cliquent pas, éteignez le brûleur. Vérifiez dans le tableau des disjoncteurs si un fusible est grillé ou un disjoncteur s'est déclenché. Si un brûleur ne s'allume pas, consultez la page 10 en ce qui concerne les instructions de nettoyage.

## EFFICACITÉ DES BRÔLEURS :

Il est nécessaire de maintenir les ports des brûleurs et les allumeurs en état de propreté afin de permettre un allumage correct et un rendement optimal. La flamme doit encercler complètement le brûleur sans bruit ou élévation excessive. Les flammes doivent être bleues et stables, sans pointe jaune.

CTD-365



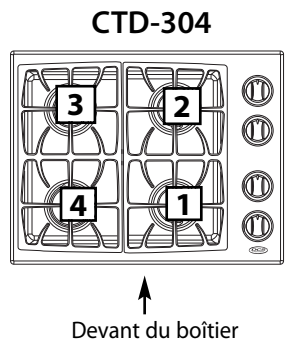
↑  
Devant du boîtier

CTD-365

EMPLACEMENT DU BRÔLEUR	MAX. BTU/H		FAIBLE BTU/H	MIJOTAGE BTU/H
	NAT.	PROP.	NAT & PROP.	NAT & PROP.
1, 2, 4, 5	11,000	10,000	3,000	1,200
3	17,500	15,000	3,000	1,200



# UTILISATION DE LA TABLE DE CUISSON



CTD-304

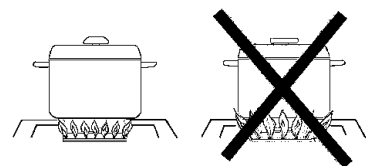
EMPLACEMENT DU BRÛLEUR	MAX. BTU/H		FAIBLE BTU/H	MIJOTAGE BTU/H
	NAT.	PROP.	NAT & PROP.	NAT & PROP.
1	10,000	10,000	3,000	1,200
2, 3	11,000	10,000	3,000	1,200
4	15,500	15,000	3,000	1,200

## HAUTEUR DE LA FLAMME :

La hauteur correcte de la flamme dépend essentiellement de la taille du fonds de l'ustensile de cuisson, du matériau de l'ustensile, de la quantité et du type de nourriture et de la quantité de liquide dans l'ustensile. Voici quelques règles de base pour sélectionner la hauteur de flamme.

- Pour des raisons de sécurité, la flamme ne doit jamais dépasser le fond du récipient.
- Ne laissez jamais les flammes lécher les parois du récipient.
- Les ustensiles qui conduisent lentement la chaleur (tels que ceux en vitrocéramique) doivent être utilisés avec un feu doux ou moyen. Vous pouvez augmenter légèrement le feu si le volume de liquide est important.

HAUTEUR CORRECTE DE LA FLAMME



## GRILLES DES BRÛLEURS :

Les grilles des brûleurs en fonte sont entièrement recouvertes d'émail de porcelaine, ce qui leur assure une longue durée de vie et empêche la rouille. Des coussins pour haute température soutiennent les grilles pour éviter qu'elles n'égratignent la table de cuisson. Les grilles sont conçues pour permettre de glisser facilement les chaudrons par dessus les grilles. Elles forment des sections imbriquées qui les rendent plus sécuritaires et plus faciles à enlever et nettoyer. Vous trouverez d'autres conseils de nettoyage à la section d'entretien et de nettoyage.



# ENTRETIEN ET MAINTENANCE

## NETTOYAGE DE LA TABLE DE CUISSON

### **AVERTISSEMENT :**

Faites très attention lorsque vous nettoyez les parties de l'appareil lorsqu'il est chaud.

L'appareil tout entier peut être nettoyé avec une petite quantité d'eau savonneuse chaude, puis rincé, séché et bien poli à l'aide d'un chiffon à poils épais et doux. Essayez cela en premier, c'est la façon la plus douce de le nettoyer.

1. Employez les produits de nettoyage les plus doux d'abord. Certains produits de nettoyage sont plus durs que d'autres et peuvent provoquer la décoloration ou la rouille des parties métalliques. Lisez leur mode d'emploi au préalable. Assurez-vous que les boutons de l'appareil sont FERMÉS et que celui-ci est FROID avant d'utiliser des nettoyeurs aérosol à proximité. L'élément chimique qui produit le jet de vaporisation peut s'enflammer en présence de chaleur.
2. Pour ne pas gâcher les surfaces, frottez toujours la finition du métal dans le sens du polissage, ce qui donne plus d'efficacité au nettoyant.
3. Pour nettoyer ou récurer, utilisez uniquement des éponges propres, des tissus doux, des essuie-tout et des tampons à récurer non-métalliques en plastique (uniquement des tampons contenant encore du savon car un tampon sec peut égratigner la surface), tel que recommandé dans cette section.
4. Rincez soigneusement et séchez en essuyant pour éviter de laisser des marques d'eau.
5. S'il reste des tâches au fond de la table de cuisson, utilisez cette procédure toute simple. Placez une couronne de papier autour du brûleur et de l'allumeur, et retenez le tout d'une bande adhésive. Ceci permettra de recouvrir l'aluminium sous le capuchon du brûleur et l'allumeur. Vaporisez la zone sale de Easy Off<sup>MD</sup> ou de SOS Oven Cleaner<sup>MD</sup> (produits à nettoyer les fours) une fois l'appareil refroidi. Recouvrez d'une serviette en papier. Laissez ainsi pendant 4 heures ou toute la nuit. Nettoyez soigneusement à l'aide d'une éponge mouillée chaude et essuyez avec une serviette douce non pelucheuse. N'utilisez jamais sur la table de cuisson un objet plus rugueux qu'une éponge ni une laine d'acier.

### **NOMS DE MARQUE :**

La référence à des noms de marques dans cette section est donnée à titre indicatif et ne saurait constituer un acte de promotion. L'omission d'une marque de nettoyant particulière ne signifie pas qu'elle est adéquate ou non. De nombreux produits sont distribués dans certaines régions seulement et sont disponibles dans les marchés et grands magasins locaux.

### **NETTOYAGE DES GRILLES DES BRÛLEURS :**

Éteignez tous les brûleurs et **laissez les grilles refroidir avant de nettoyer** la table de cuisson. Toute tentative pour refroidir rapidement des grilles, en les immergeant par exemple dans de l'eau froide ou tiède, peut constituer un choc thermique pour le revêtement en porcelaine, ce qui peut le fissurer ou l'écailler. Si vous essuyez une partie de la table de cuisson alors qu'elle est chaude, faites-le avec précaution car vous pourriez vous brûler si vous utilisez une éponge ou un chiffon humide.

Une fois les grilles refroidies, vous pouvez les nettoyer à l'aide d'une solution savonneuse chaude pendant qu'elles sont sur la table de cuisson, puis les rincer et les essuyer pour les sécher, ou les placer dans le lave-vaisselle pour un nettoyage facile.

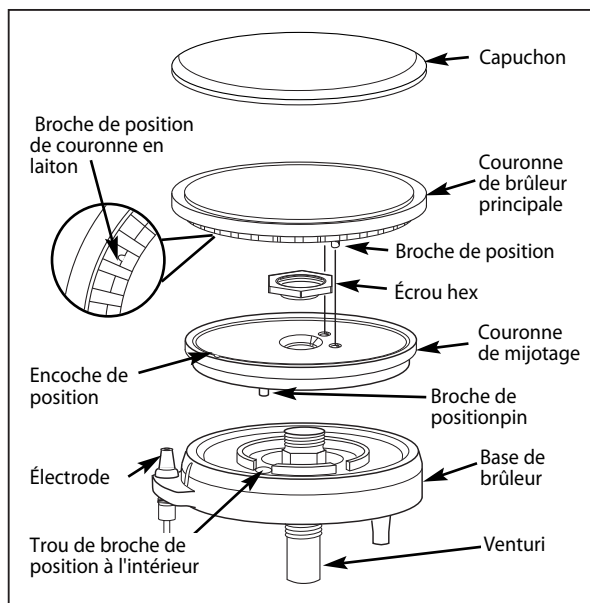
# ENTRETIEN ET MAINTENANCE

L'utilisation occasionnelle de nettoyant abrasif doux tel que Bon-Ami<sup>MD</sup>, Soft Scrub<sup>MD</sup> ou un tampon à récurer non métallique ou en plastique rempli de savon est acceptable. L'utilisation vigoureuse ou trop fréquente de nettoyants abrasifs peut finir par endommager l'émail. Appliquez le produit avec une éponge humide, rincez abondamment puis séchez.

## NETTOYAGE DES BRÛLEURS

Pour assurer un bon allumage et une bonne performance des brûleurs, gardez-les dans un état propre et sec. Vous devez nettoyer les brûleurs s'ils ne s'allument pas alors que l'allumeur clique, après chaque débordement important ou lorsque la flamme ne devient pas bleue.

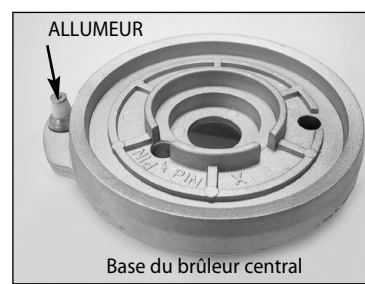
Assurez-vous que tous les boutons des brûleurs sont en position **OFF** avant d'essayer de nettoyer les brûleurs. Les brûleurs ont été conçus pour être faciles à nettoyer. Une fois les grilles et brûleurs refroidis, retirez les grilles. Les capuchons de brûleur et les couronnes en laiton peuvent être facilement enlevés. Lavez ces pièces dans de l'eau savonneuse chaude, rincez et séchez soigneusement. Les capuchons de brûleur sont en émail de porcelaine; suivez les instructions données à la page 8 concernant le nettoyage des grilles des brûleurs. Utilisez au besoin une brosse en soies pour nettoyer les ports dentés des brûleurs. Le démontage de la couronne de mijotage n'est pas recommandé; cela peut toutefois s'avérer nécessaire si les ports restent bouchés après un nettoyage normal. Si vous devez retirer la couronne de mijotage de sa base, enlevez l'écrou hex de la partie supérieure de la couronne de mijotage. Nettoyez la couronne de mijotage avec de l'eau savonneuse chaude à l'aide d'une brosse en soies douce métallique ou en plastique, puis séchez soigneusement. Réassemblez les pièces à l'aide de l'écrou hex.



Après le nettoyage, il est important de vous assurer que la broche de position au bas de la couronne de mijotage est correctement alignée avec le trou correspondant de la base et que la broche de position au bas de la couronne en laiton est correctement alignée avec l'encoche de position en haut de la couronne de mijotage. Un mauvais alignement produira une flamme potentiellement dangereuse et entraînera un mauvais fonctionnement du brûleur. Voir l'illustration ci-dessus.

## NETTOYAGE DES ALLUMEURS :

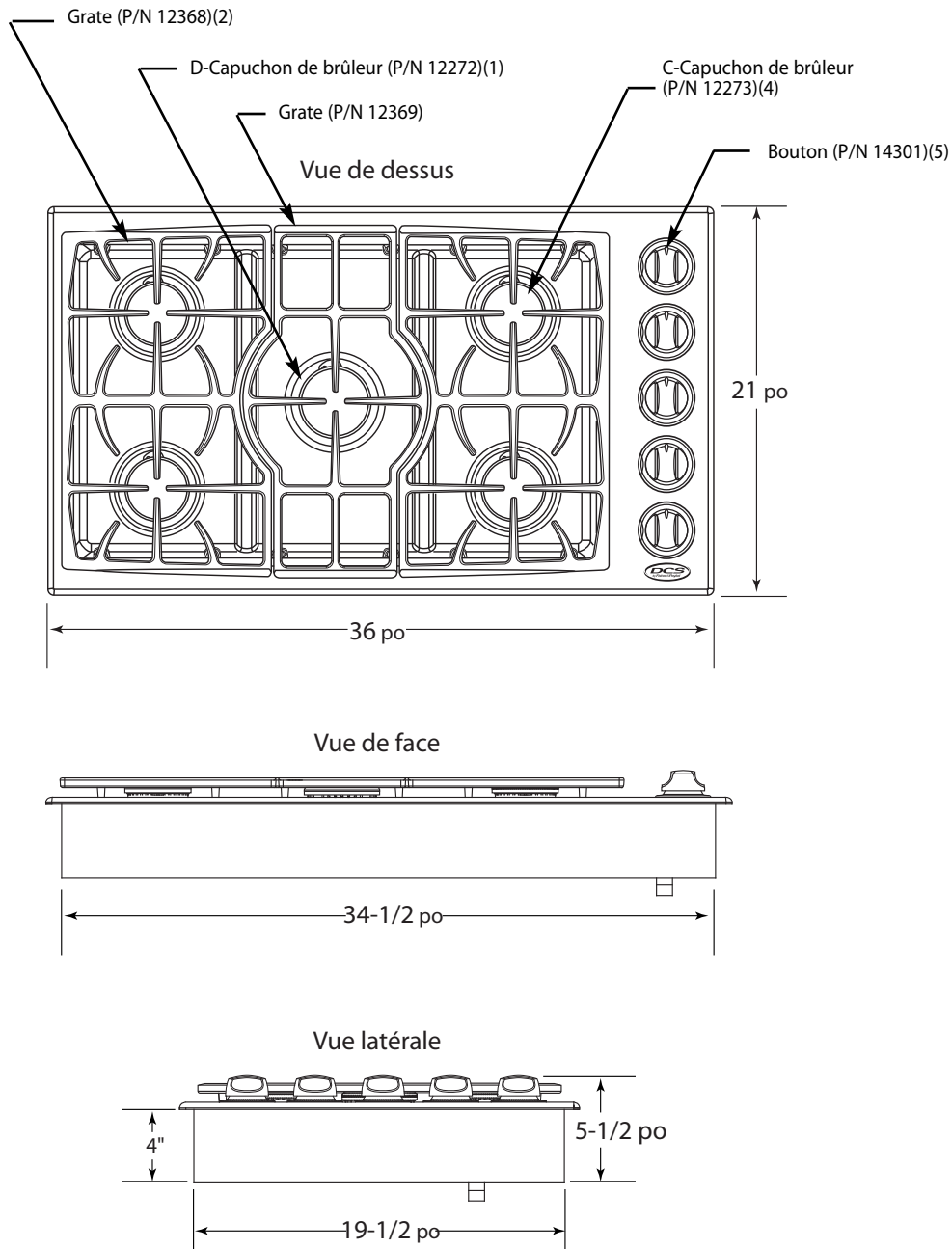
Assurez-vous que tous les boutons des brûleurs sont en position off avant d'essayer de nettoyer les allumeurs. Essuyez doucement à l'aide d'un coton-tige imbibé d'alcool en faisant attention de ne pas endommager l'allumeur.



# SPÉCIFICATIONS DES DIMENSIONS DU PRODUIT

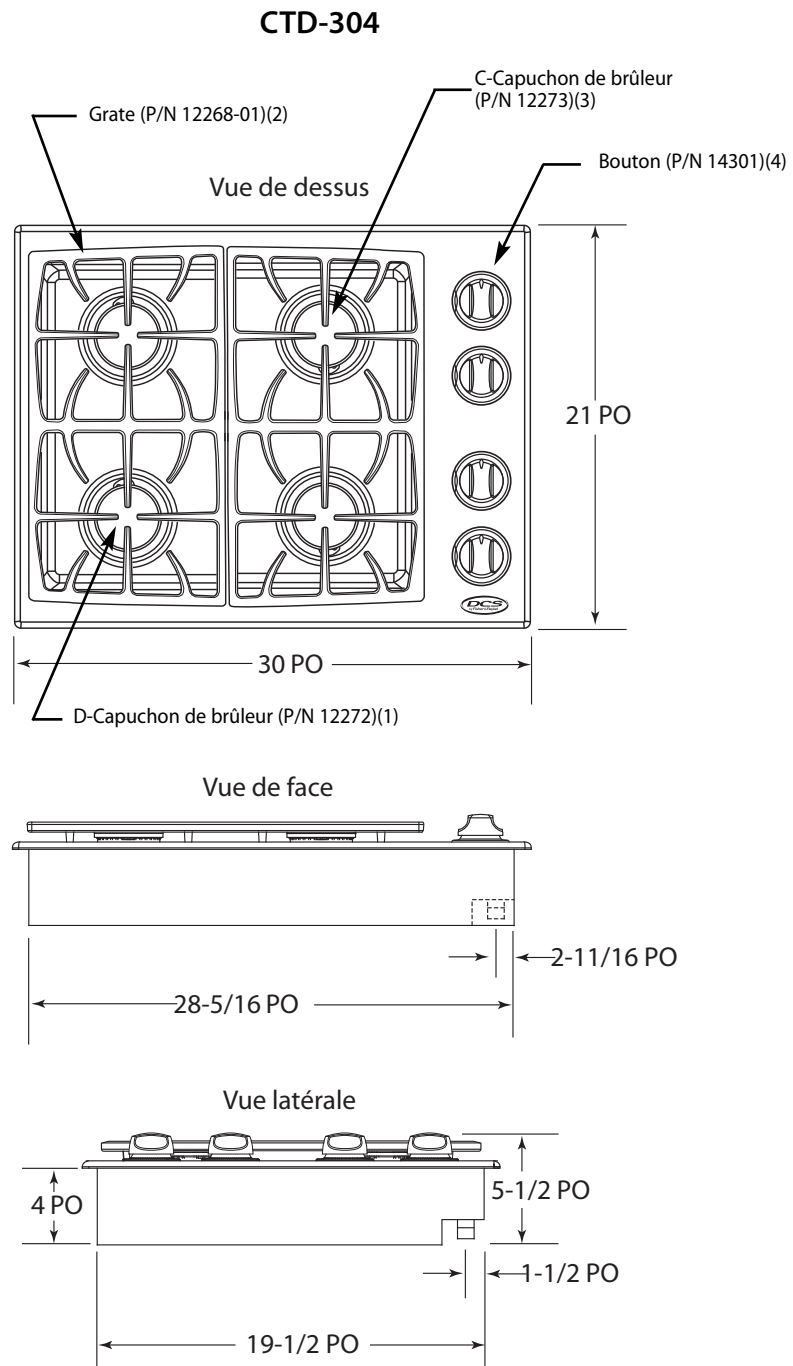
Les dimensions indiquées ci-dessous sont données à titre de référence uniquement. REPORTEZ-VOUS AU GUIDE D'INSTALLATION DU PRODUIT EN CE QUI CONCERNE LA PRÉPARATION DU BOÎTIER ET LES SPÉCIFICATIONS DE DÉCOUPE.

## CTD-365



# SPÉCIFICATIONS DES DIMENSIONS DU PRODUIT

Les dimensions indiquées ci-dessous sont données à titre de référence uniquement. REPORTEZ-VOUS AU GUIDE D'INSTALLATION DU PRODUIT EN CE QUI CONCERNE LA PRÉPARATION DU BOÎTIER ET LES SPÉCIFICATIONS DE DÉCOUPE.



# SERVICE

## **POUR L'OBTENTION DE SERVICE :**

Pour le service sous garantie, contactez le Centre de service à la clientèle DCS par téléphone : 1-888-281-5698. Avant d'appeler, veuillez avoir les informations suivantes à portée de main :

- Numéro de modèle (bas du châssis, coin droit)
- Numéro de série (bas du châssis, coin droit)
- Date d'installation
- Brève description du problème

Votre satisfaction revêt la plus haute importance pour nous. Si un problème n'est pas résolu à votre entière satisfaction, veuillez communiquer par courrier avec notre Centre de service à la clientèle ou email : [support@dcsappliances.com](mailto:support@dcsappliances.com)

Écrivez-nous à l'adresse suivante :

Fisher & Paykel Appliances, Inc.  
Attention: DCS Customer Care  
5900 Skylab Road  
Huntington Beach, CA 92647  
U.S.A.

# GARANTIE

## GARANTIE LIMITÉE

Lors de l'achat d'une table de cuisson suspendue professionnelle neuve DCS, vous bénéficiez automatiquement d'une garantie limitée d'un an couvrant les pièces et la main d'œuvre pour l'intégralité du produit, et d'une garantie limitée de cinq ans sur l'intégrité structurelle des pièces extérieures et intérieures valide dans les 48 états continentaux des États-Unis, ainsi que Hawaï, Washington D.C. et le Canada. La garantie limitée est la même en Alaska sauf que vous devez payer les frais d'expédition du produit à un centre de service ou les frais de déplacement d'un technicien dans le cas d'une visite à domicile. Les produits destinés à une utilisation au Canada doivent être achetés auprès d'un distributeur canadien afin de respecter la réglementation en vigueur. S'il y a de la corrosion au point où le produit ne fonctionne plus correctement, des pièces de rechange seront fournies. Cette garantie ne s'applique pas si l'appareil a été soumis à une utilisation autre qu'une utilisation résidentielle normale.

Si le produit est installé dans un véhicule ou bateau à moteur, ou une installation mobile similaire, vous bénéficiez de la même garantie limitée d'un an, mais vous devrez acheminer à vos frais ledit véhicule, bateau ou installation mobile contenant le produit jusqu'au centre de service ou payer les frais de déplacement du technicien jusqu'à l'emplacement où se trouve le produit.

## FISHER & PAYKEL S'ENGAGE À :

Entreprendre à ses frais (pièces et main-d'oeuvre) toutes réparations du produit (sur lequel figure le numéro de série) jugé défectueux. En Alaska, vous devez payer les frais d'expédition du produit à un centre de service ou les frais de déplacement d'un technicien dans le cas d'une visite à domicile. Si le produit est installé dans un véhicule ou bateau à moteur, ou une installation mobile similaire, vous devrez acheminer à vos frais ledit véhicule, bateau ou installation mobile contenant le produit jusqu'au centre de service ou payer les frais de déplacement du technicien jusqu'à l'emplacement où se trouve le produit.

Si nous sommes dans l'incapacité de réparer une pièce défectueuse du produit après un nombre raisonnable de tentatives, nous pourrions, à notre choix, remplacer la pièce ou le produit, ou vous rembourser entièrement le prix d'achat du produit (à l'exclusion des frais d'installation ou autres frais.)

Cette garantie s'applique à l'acheteur initial et à tous les propriétaires successifs du produit dans la mesure où il s'agit d'un produit acheté pour une utilisation à domicile normale. Tout service couvert par cette garantie limitée sera assuré par Fisher & Paykel Appliances Inc. ou son agent de service DCS agréé durant les heures d'ouverture normales.

## QUELLE EST LA DURÉE DE CETTE GARANTIE LIMITÉE ?

Notre responsabilité en vertu de cette garantie limitée concernant l'intégralité du produit expire UN AN à partir de la date d'achat du produit par le premier acheteur. Notre responsabilité en vertu de cette garantie limitée concernant l'intégrité structurelle des pièces extérieures et intérieures expire CINQ ANS à partir de la date d'achat du produit par le premier acheteur.

Notre responsabilité en vertu de toute garantie implicite, y compris la garantie implicite de qualité marchande (la garantie tacite selon laquelle le produit est approprié pour un usage normal) expire également UN AN (ou une période plus longue si requis par la loi) à partir de la date d'achat du produit par le premier acheteur. Certaines juridictions ne permettent pas la limitation de la garantie implicite, il est donc possible que la limitation ci-dessus sur les garanties implicites ne s'applique pas à vous.

## NE SONT PAS COUVERTS PAR LA GARANTIE :

- A. Les appels de service n'ayant aucun rapport avec un défaut éventuel du produit. Le coût de l'appel de service sera facturé s'il se trouve que le problème n'est pas dû à un défaut du produit. Par exemple :
  1. Corriger une mauvaise installation du produit.
  2. Montrer comment utiliser le produit.
  3. Remplacer des fusibles à domicile, réarmer les disjoncteurs, réparer les fils électriques ou la plomberie du domicile, ou remplacer des ampoules.

# GARANTIE (suite)

4. Corriger des anomalies causées par l'utilisateur.
  5. Changer la configuration du produit.
  6. Modifications non autorisées du produit.
  7. Bruits ou vibrations considérés comme normaux, par exemple les bruits de drain ou de ventilateur, les bruits de régénération (vibrations, sifflements) ou les signaux d'avertissement à l'intention de l'utilisateur.
  8. Corriger des dommages causés par des animaux nuisibles, par exemple des rats, des coquerelles, etc.
- B. Défauts causés par des facteurs autres que :
1. Utilisation domestique normale ou
  2. Utilisation conformément aux indications du guide de l'utilisateur.
- C. Défauts du produit pour cause d'accident, négligence, mauvaise utilisation, incendie, inondation ou calamité naturelle.
- D. Les coûts des réparations effectuées par des techniciens non autorisés ou le coût de correction de ces réparations non autorisées.
- E. Les frais de voyage et les frais connexes encourus lorsque le produit est installé dans un lieu à accès illimité ou restreint (déplacement par avion ou par bateau, régions géographiques isolées, etc.).
- F. Entretien normal recommandé par le guide l'utilisateur.

Contactez votre distributeur ou votre installateur en cas de problème d'installation. Il vous incombe d'assurer une installation électrique, une ventilation et toute autre connexion appropriées. Nous ne sommes pas responsables des dommages indirects ou accessoires (coût de réparation ou de remplacement d'autres biens endommagés parce que le produit était défectueux ou tout autre coût que vous auriez encouru parce que le produit était défectueux). Certaines juridictions interdisent l'exclusion ou la restriction de la responsabilité des dommages indirects ou accessoires; l'exclusion ou la restriction indiquée ci-dessus peut donc ne pas s'appliquer à votre cas particulier.

## POUR OBTENIR DES RÉPARATIONS

Veuillez consulter le guide de l'utilisateur. Si vous avez des questions concernant l'utilisation du produit, que vous cherchez le nom de l'agent de service DCS agréé local ou que pensez que le produit est défectueux et désirez le faire réparer dans le cadre de cette garantie limitée, veuillez contacter votre distributeur ou nous appeler au numéro suivant :

(NUMÉRO SANS FRAIS) 1-888-281 5698 ou contactez-nous par l'intermédiaire de notre site Web : [www.dcsappliances.com](http://www.dcsappliances.com).

Vous devrez peut-être présenter une preuve raisonnable de la date d'achat du produit avant de pouvoir bénéficier d'une réparation dans le cadre de cette garantie limitée.

## UTILISATION COMMERCIALE

Cette garantie s'applique à des appareils électroménagers utilisés à domicile; elle ne couvre pas les cas d'utilisation commerciale.



# **GARANTIE (suite)**

## **AUCUNE AUTRE GARANTIE**

Cette garantie limitée constitue l'accord entier et exclusif entre vous et Fisher & Paykel Appliances Inc. en ce qui concerne tout défaut du produit. Aucun de nos employés (ou agents de service agréés) n'est autorisé à apporter des ajouts ou des modifications à cette garantie limitée.

Garant : Fisher & Paykel Appliances, Inc.

Si vous avez besoin d'aide au sujet de cette garantie limitée, veuillez nous appeler au numéro ci-dessus ou nous écrire à l'adresse suivante :

Fisher & Paykel Appliances, Inc.

Attention : DCS Customer Care

5900 Skylab Road, Huntington Beach, CA 92647 États-Unis

Cette garantie limitée vous donne des droits juridiques spécifiques et vous pouvez bénéficier d'autres droits qui varient d'une juridiction à l'autre.

Fisher & Paykel Appliances inc. est un fabricant de pointe d'appareils de cuisson et d'appareils spécialisés, sous les marques Fisher & Paykel et DCS.

# REMARQUE





---

Quality provided by Fisher & Paykel Appliances Inc.

---

Fisher & Paykel Appliances, Inc.  
5900 Skylab Road, Huntington Beach, CA 92647  
Customer Care: 888.281.5698  
Fax: 714.372.7003  
[www.dcsappliances.com](http://www.dcsappliances.com)

As product improvement is an ongoing process, we reserve the right to change specifications or design without notice.

Nous améliorons constamment ses produits et se réserve le droit de modifier les spécifications ou la conception de ses produits sans aucun préavis.

Part No. 239355 Rev. B  
Litho in USA 06/2008

## Free Manuals Download Website

<http://myh66.com>

<http://usermanuals.us>

<http://www.somanuals.com>

<http://www.4manuals.cc>

<http://www.manual-lib.com>

<http://www.404manual.com>

<http://www.luxmanual.com>

<http://aubethermostatmanual.com>

Golf course search by state

<http://golfingnear.com>

Email search by domain

<http://emailbydomain.com>

Auto manuals search

<http://auto.somanuals.com>

TV manuals search

<http://tv.somanuals.com>