

Grill Cart



CAD-48 48" Grill Cart with BGB48-BQR 48" Grill with Rotisserie and Integrated Sealed Side Burner (as shown)

DCS by Fisher & Paykel offers the ultimate accessibility in our new line of grill carts. With storage to access to your LP tank, marinating meats, wood chips or grill covers. With assisted chill you now have the perfect place to keep your drinks chilled.

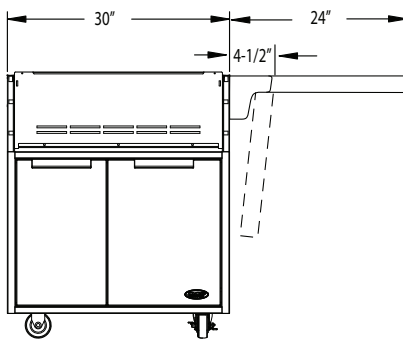
OPTIONAL ACCESSORIES:

- 24" Side shelves
- Brazilian cherry wood cutting board inserts for the 24" side shelves
- Adjustable feet
- Vinyl cover
- Available in 30", 36", and 48"
- Back bar for CAD-30 cart only

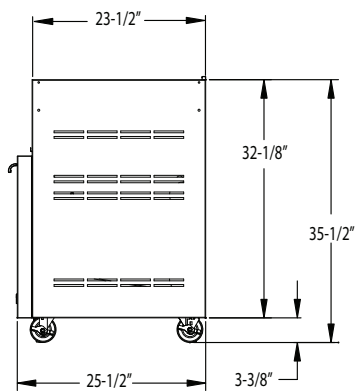
30" Grill Cart Dimensions:

Model: CAD-30

front view



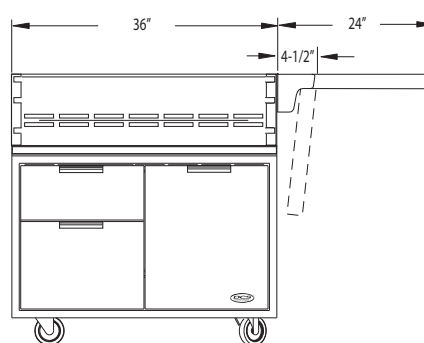
side view



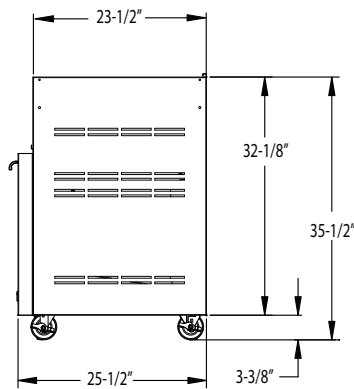
36" Grill Cart Dimensions:

Model: CAD-36

front view



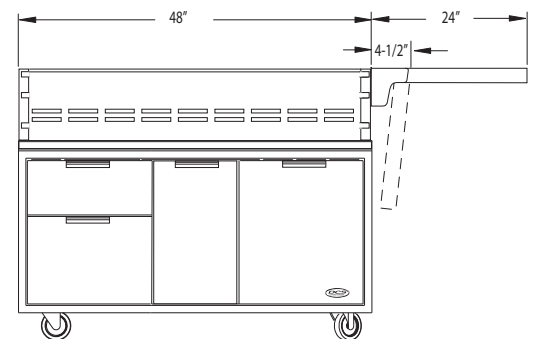
side view



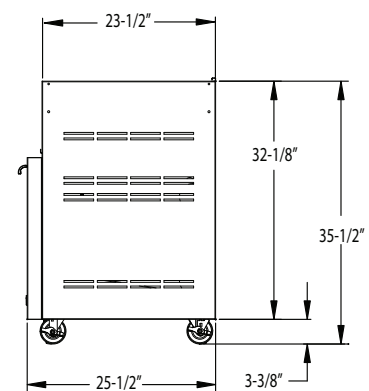
48" Grill Cart Dimensions:

Model: CAD-48

front view



side view



MODEL NUMBER	CAD-30	CAD-36	CAD-48
SHIPPING WEIGHT	120 LBS.	155 LBS.	190 LBS.
SHIPPING DIMENSIONS (HEIGHT X WIDTH X DEPTH)	45" X 35" X 35"	45" X 40" X 35"	45" X 51" X 35"

Free Manuals Download Website

<http://myh66.com>

<http://usermanuals.us>

<http://www.somanuals.com>

<http://www.4manuals.cc>

<http://www.manual-lib.com>

<http://www.404manual.com>

<http://www.luxmanual.com>

<http://aubethermostatmanual.com>

Golf course search by state

<http://golfingnear.com>

Email search by domain

<http://emailbydomain.com>

Auto manuals search

<http://auto.somanuals.com>

TV manuals search

<http://tv.somanuals.com>