

MODEL MOTTK30 TRADITIONAL MICROWAVE TRIM KIT INSTALLATION INSTRUCTIONS

Before you begin, read these instructions completely and carefully.

Getting Started

- Remove packaging

Contents

Part Description	Qty
Trim Assembly	1
Base	1
Mounting Bracket (L/R)	2
Sheet Metal Screws	10

Tools Required

1/8" Drill
#2 Phillip Screwdriver

Installing Trim Kit

1. Cut opening in the cabinet face per the following dimensions:

Height: $17" + 1/16"$, -0

Width: $24-3/4" + 1/16"$, -0

Note: Refer to diagram on the following page. The minimum cabinet depth is 20". When installing the Microwave and Trim Kit in combination with a Wall Oven or Warming Drawer, please follow the recommendations in the Microwave Installation/ Use & Care Manual.

2. Add adequate platform base support in the bottom of the cabinet for trim kit base to rest on.
3. Mark a centerline on the front edge of the cabinet bottom (Fig. 01).
4. Place trim kit base and align centerline mark to the triangular notch on the front edge of the base (Fig. 02).
5. Drill 1/8" pilot holes in the cabinet using the base as a template and install a screw through the base into the cabinet bottom to prevent the base from shifting (Fig. 03).
6. Insert Microwave into opening on top of the base. The Microwave feet should sit in the recesses on the base for correct alignment. The Microwave should be plugged in at this point.

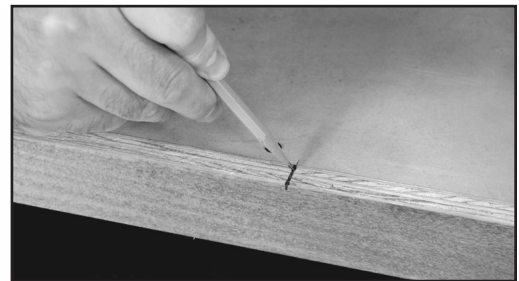


Fig. 01

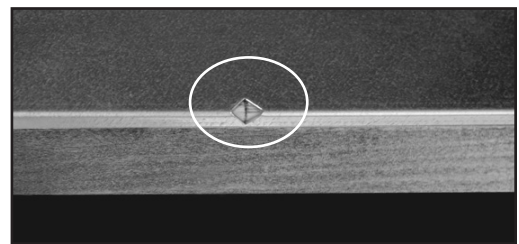


Fig. 02

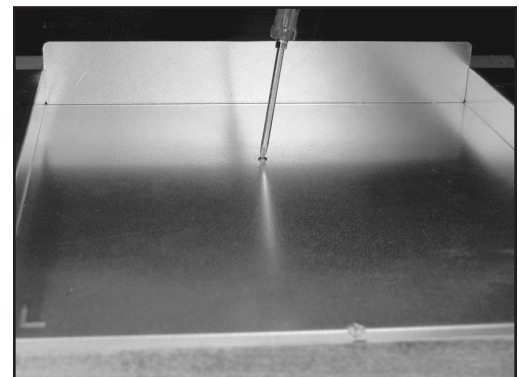


Fig. 03

7. Place the right and left mounting bracket supports by resting the bottom edges of the supports on the bottom of the cutout (Fig 04). The long flange on the side supports should clear the side of the cutout by approximately 1/16" (Fig. 05). Install top and bottom screws into the cabinet face by first drilling 1/8" pilot holes (see inserts 3 and 4).
8. Install trim kit face by inserting top pins of trim into corresponding sockets on the top corners of clip support plates (see insert 1).
9. Finish the assembly by inserting the bottom pins into the corresponding sockets on front edge of the base (see insert 3). Check for proper door opening clearances.

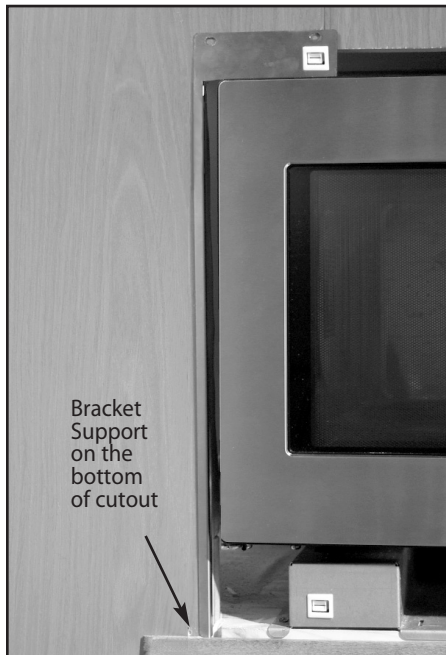


Fig. 04

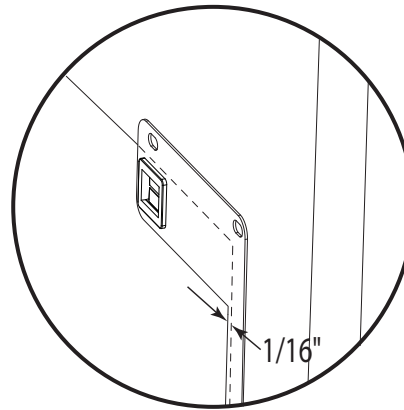
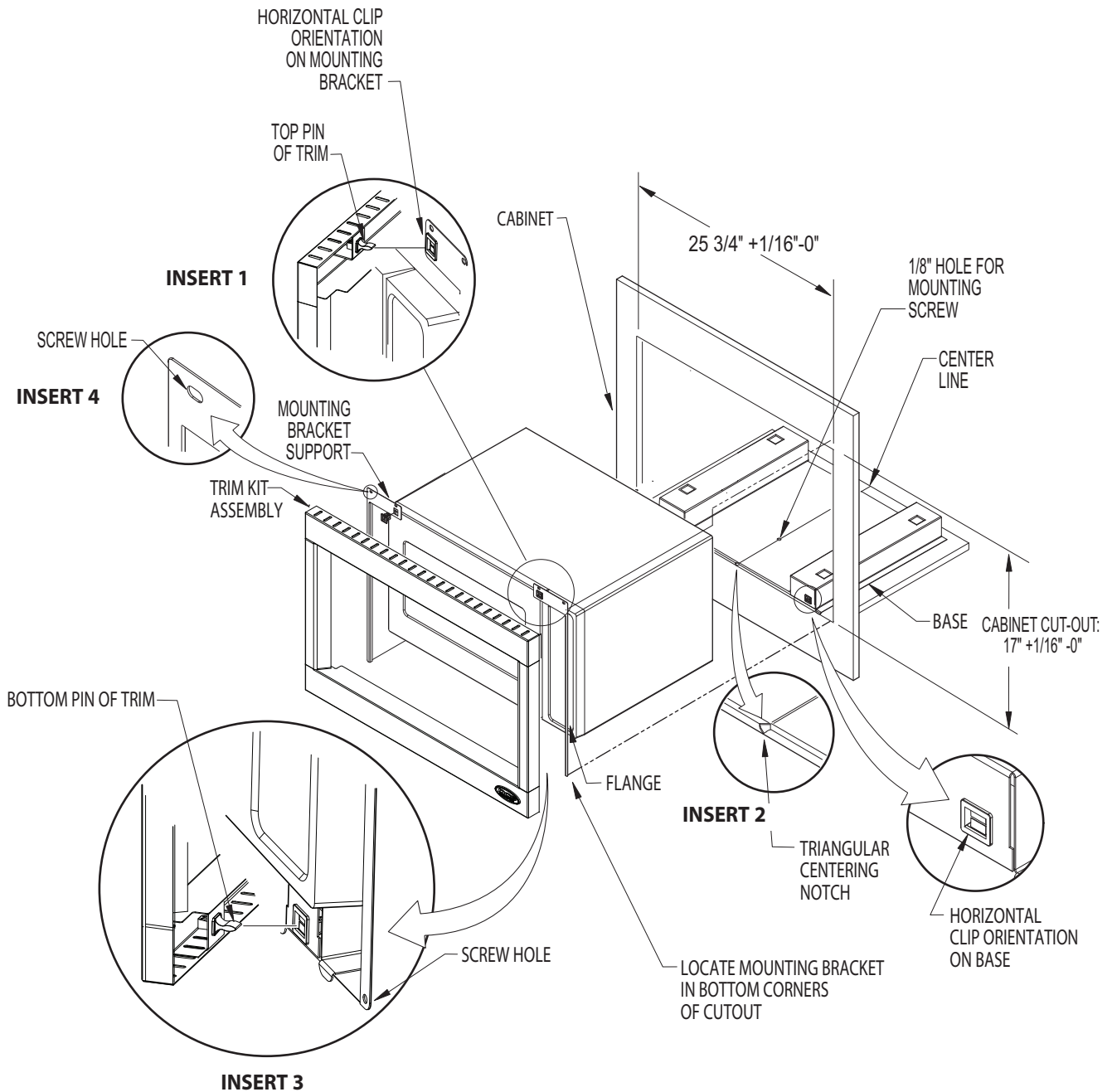


Fig. 05



Stainless Steel Care

This Trim Kit is made of stainless steel. Use the mildest cleaning procedure first. Start with hot soapy water, rinse and dry. If the trim kit has food soil remaining, try a general kitchen cleaner, such as Fantastik®, Simple Green® or Formula 409®. Apply cleaner with a damp sponge, rinse thoroughly and dry. Always scrub lightly in the direction of the grain. Do not use a steel wool pad, it will scratch the surface. To touch up noticeable scratches in the stainless steel, sand very lightly with dry 100 grit emery paper, rubbing in the direction of the grain. After cleaning use a stainless steel polish, such as Stainless Steel Magic®.



Quality provided by Fisher & Paykel Appliances Inc.

5800 Skylab Road, Huntington Beach, CA 92647
Tel: 714.372.7000 • Fax: 714.372.7001
Customer Service: 888.281.5698
www.dcsappliances.com

P/N 241186 Rev. A 10/07

Free Manuals Download Website

<http://myh66.com>

<http://usermanuals.us>

<http://www.somanuals.com>

<http://www.4manuals.cc>

<http://www.manual-lib.com>

<http://www.404manual.com>

<http://www.luxmanual.com>

<http://aubethermostatmanual.com>

Golf course search by state

<http://golfingnear.com>

Email search by domain

<http://emailbydomain.com>

Auto manuals search

<http://auto.somanuals.com>

TV manuals search

<http://tv.somanuals.com>