



**Professional range**

RGU/RGV, RDU/RDV &  
RGUC/RGVC models

**La cuisinière professionnelle**

Modèles RGU/RGV, RDU/RDV  
et RGUC/RGVC

**User guide**

**Guide d'utilisation**

## **WARNING!**

If the information in this manual is not followed exactly, a fire or explosion may result causing property damage, personal injury or death.

Do not store or use gasoline or other flammable vapors and liquids in the vicinity of this or any other appliance.

**NEVER** use this appliance as a space heater to heat or warm the room. Doing so may result in carbon monoxide poisoning and overheating of the appliance.

### **WHAT TO DO IF YOU SMELL GAS**

- **Do not try to light any appliance.**
- **Do not touch any electrical switch.**
- **Do not use any phone in your building.**
- **Immediately call your gas supplier from a neighbor's phone. Follow the gas supplier's instructions.**
- **If you cannot reach your gas supplier, call the fire department.**

Installation and service must be performed by a qualified installer, service agency or the gas supplier.

Safety and warnings	2
Introduction	6
<i>First use</i>	
Conditioning the oven	10
Seasoning the griddle	10
<i>Oven use</i>	
Positioning the shelves	11
Oven modes	14
Using your oven for baking and roasting	16
Using your oven for broiling	17
Using your oven for proofing dough	18
Oven cooking guidelines	20
Baking charts	22
<i>Cooktop use</i>	
Using the cooktop burners	24
Guidelines for using the cooktop burners	25
Using the grill	26
Using the griddle	27
<i>Care and cleaning</i>	
Manual cleaning chart	28
Removing and replacing the oven door	34
Removing and replacing the side racks	36
Replacing the burner parts	37
Replacing the oven light bulb	38
Using the CLEAN cycle	39
Troubleshooting	42
Warranty and service	47

## ***Important!***

### **SAVE THESE INSTRUCTIONS**

*The models shown in this user guide may not be available in all markets and are subject to change at any time. For current details about model and specification availability in your country, please visit our website listed on the back cover or contact your DCS by Fisher & Paykel dealer.*

## IMPORTANT SAFETY INSTRUCTIONS

To reduce the risk of fire, electrical shock, injury to persons, or damage when using the appliance, follow the important safety instructions listed below:

### ! WARNING!



#### Electrical Shock Hazard

Before removing a faulty oven light bulb, make sure you turn the power to the range off at the main fuse or circuit breaker panel. If you don't know how to do this, contact an electrician.

Do not remove the kickstrip grate. Due to access to live electrical parts behind it, the kickstrip grate should only be removed by a qualified technician.

This appliance is equipped with a three-prong or four-prong grounding plug for your protection against shock hazard and should be plugged directly into a properly grounded power outlet. Do not under any circumstances cut or remove the grounding prong from this plug.

Failure to follow this advice may result in death or electrical shock.

### ! WARNING!



#### Tipping Hazard

A child or adult can tip this range and be killed. It must be secured by a properly installed anti-tip bracket. See installation instructions for details. Ensure the anti-tip device is re-engaged when the range is moved. Check engagement following the steps above.

Do not use the appliance until it has been secured.

Failure to do so can result in or death or serious burns to children or adults.

### ! WARNING!



#### Fire Hazard

Never use your appliance for warming or heating the room. Persons could be injured or a fire could start.

Keep the area around the appliance free from combustible materials (e.g. wall coverings, curtains, drapes), gasoline and other flammable vapors and liquids.

Do not let cooking grease or other flammable materials accumulate in, or, or near the appliance.

Do not hang any articles (e.g. dish towels) off the oven handle. Some fabrics may ignite or melt from the heat.

Never leave the cooktop burners unattended when in use –

Boilover causes smoking and greasy spillovers that may ignite.

Be sure all the controls are turned off and the appliance is cool before using any type of aerosol cleaner on or around the appliance. Chemicals in such cleaners could, in the presence of heat, ignite or cause metal parts to corrode.

Failure to follow this advice may result in death or serious injury.

# IMPORTANT SAFETY INSTRUCTIONS

## ! WARNING!



### Explosion Hazard

If you smell gas, do not use the appliance. Open a window or door to let the gas escape, then follow the instructions on the inside front cover of this manual.

Do not use water on grease fires. A violent steam explosion may result. Turn all burners off, then smother fire or flame or use dry chemical or foam-type extinguisher.

Do not heat unopened food containers such as cans – Build-up of pressure may cause container to burst and result in injury.

Failure to follow this advice may result in injury or death.

## ! WARNING!



### Poisoning Hazard

Never cover any slots, holes or passages in the oven bottom or cover an entire rack or the oven floor with materials such as aluminum foil. Doing so blocks airflow through the oven and may cause carbon monoxide poisoning. Aluminum foil linings may also trap heat, causing a fire hazard.

Clean the appliance with caution. If a wet sponge or cloth is used to wipe spills on a hot cooking area, be careful to avoid steam burn. Some cleaners can produce noxious fumes if applied to a hot surface. Follow the directions of the cleaner manufacturer.

Never use this appliance as a space heater to heat or warm the room. Doing so may result in carbon monoxide poisoning and overheating of the appliance.

Failure to follow this advice may result in poisoning or death.

## ! WARNING!



### Hot Surface Hazard

Accessible parts may become hot during use.

Do not touch burners, areas near burners, the grill, griddle, grease drip-pans, heating elements or interior surfaces of oven – These may be hot enough to cause burns even though they are dark in color. During and after use, do not touch, or let clothing or other flammable materials contact these parts and surfaces until they have had sufficient time to cool. Other parts and surfaces of the appliance may become hot enough to cause burns - among these areas are the grates, back trim and oven vents at the back of the cooktop, front edge, surfaces adjacent to the cooktop, and the oven door.

Use only dry potholders – Moist or damp potholders on hot surfaces may result in burns from steam. Do not let potholder touch hot heating elements. Do not use a towel or other bulky cloth.

Let hot grease cool before attempting to handle it.

Ovens with a CLEAN cycle: During self-cleaning, the oven reaches higher temperatures than it does for cooking. Under such conditions, the surfaces may get hotter than usual. Children should be kept away.

Failure to follow this advice could result in burns and scalds.

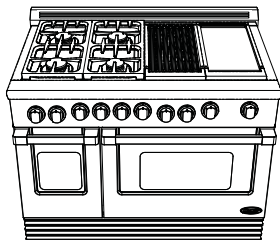
## IMPORTANT SAFETY INSTRUCTIONS

- *Read all the instructions before using the appliance. Use the appliance only for its intended purpose as described in these instructions.*
- *Proper installation – Be sure your appliance is properly installed and grounded by a qualified technician. A risk of tip-over exists when the appliance is not installed in accordance with the installation instructions.*
- *Do not operate the appliance if it is damaged or not working properly. If you received a damaged product, contact your dealer or installer immediately.*
- *Be sure to have the installer show you where and how to turn off the power supply to the range (i.e. location of the main fuse or circuit breaker panel) and where and how to turn off the gas supply to the range in an emergency.*
- *Do not leave children alone – Children should not be left alone or unattended in the area where the appliance is in use. They should never be allowed to play with the appliance or to sit or stand on any part of the appliance.*
- *Caution – for safety reasons, do not store items of interest to children in cabinets above a range or at the back of the range – children climbing on the range to reach items could be seriously injured.*
- *Wear proper apparel – Loose-fitting or hanging garments should never be worn while using the appliance.*
- *User servicing – Do not repair or replace any part of the appliance unless specifically recommended in the manual. All other servicing should be referred to a qualified technician. Technicians must disconnect the appliance from the power supply before any servicing.*
- *Storage in or on appliance – Flammable materials should not be stored in an oven or near the cooktop.*
- *Use care when opening the oven door – Let hot air or steam escape before removing or replacing food.*
- *Keep oven vent ducts unobstructed.*
- *Keep rugs and mats well clear of the base of the range.*
- *Placement of oven shelves – Always position shelves in the desired location while the oven is cool (before preheating). If a shelf must be removed while the oven is hot, do not let oven mitts or potholder contact the base of the oven or hot heating elements in the oven.*
- *Do not clean the oven gasket or use any oven-cleaning products on it. It is essential for a good seal, which ensures that the oven operates efficiently. Care should be taken not to rub, damage or move it.*
- *Do not use oven cleaners, harsh/abrasive cleaning agents, waxes, or polishes in a self-cleaning oven. No commercial oven cleaner, oven liner, or protective coating of any kind should be used in or around any part of a self-cleaning oven.*
- *Do not use harsh/abrasive cleaners, scourers or sharp metal scrapers to clean the oven door glass since they scratch the surface, which may result in the glass shattering.*
- *Do not sit or stand on the oven door or place any heavy objects on it – doing so may result in personal injury.*
- *Be careful when reaching for items stored in cabinets above the appliance.*

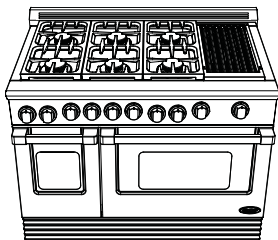
# IMPORTANT SAFETY INSTRUCTIONS

- *Safe food handling: leave food in the oven for as short a time as possible before and after cooking. This is to avoid contamination by organisms which may cause food poisoning. Take particular care during warmer weather.*
- *Clean only the parts listed in this manual.*
- *Do not use a steam cleaner to clean any part of the appliance.*
- *Do not obstruct the flow of combustion and ventilation air to the appliance.*
- *Before self-cleaning the oven – Remove oven shelves, side racks, broiler pan and all other cookware/utensils, and wipe up large food spills or grease deposits.*
- *Before self-cleaning the oven –make sure you move any pet birds to another, closed and well-ventilated room. Some pet birds are extremely sensitive to the fumes given off during a self-cleaning cycle, and may die if left in the same room as the range during such a cycle.*
- *Do not use any cookware on the grill or griddle.*
- *Top cover (lid) must be removed when the grill or griddle is in operation.*
- *When using the grill or griddle, make sure the grease drip-pan is in place – absence of this during use may subject wiring or components underneath to damage.*
- *The oven(s), grill, and griddle of your range cannot be used in the event of a power failure. Do not attempt to operate these during power failure.*
- *Do not use aluminum foil to line any part of the oven or cooktop. This will cause heat to be trapped underneath it. This trapped heat can upset the cooking performance and damage the finish of the oven or cooktop parts.*
- *Do not place any dishes, trays, water or ice directly on the oven floor during cooking, as doing so will irreversibly damage the porcelain enamel finish.*
- *For safety reasons, the cooktop burner flame size should be adjusted so it does not extend beyond the edge of the cookware.*
- *Use cookware of the appropriate size and construction for the type of cooking. This appliance is equipped with burners of different sizes. Cookware must be matched to the size of the burner. Select utensils with flat bottoms large enough to cover the burner flames. The use of undersize utensils will expose a portion of the burner flames to direct contact and may result in ignition of clothing. Proper relationships of utensil to burner will also improve efficiency.*
- *Protective liners – Do not use aluminum foil to line grease drip-pans or oven bottoms.*
- *Glazed cooking utensils – only certain types of glass, glass/ceramic, ceramic, earthenware, or other glazed utensils are suitable for cooktop service without breaking due to the sudden change in temperature.*
- *Utensil handles should be turned inward and not extend over adjacent cooktop burners – To reduce the risk of burns, ignition of flammable materials, and spillage due to unintentional contact with the utensil, the handle of a utensil should be positioned so that it is turned inward, and does not extend over adjacent cooktop burners.*
- *The Governor of California is required to publish a list of substances known to the State of California to cause cancer or reproductive harm and requires businesses to warn customers of potential exposures to such substances.*  
**WARNING!:** *This product emits exhaust that contains chemicals known to the State of California to cause cancer, birth defects, and other reproductive harm. To reduce the risk from such chemicals, make sure this appliance is installed, operated, and maintained according to the manufacturer's instructions.*

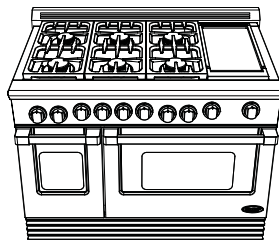
## 48" models



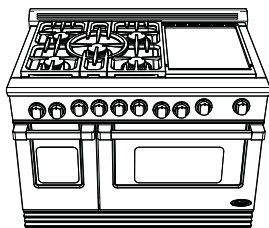
RGU-484GG  
RDU/RDV-484GG



RGU/RGV-486GL  
RDU/RDV-486GL



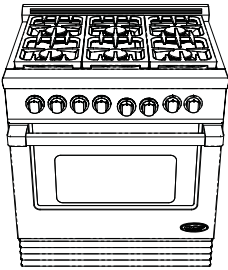
RGU/RGV-486GD  
RDU/RDV-486GD



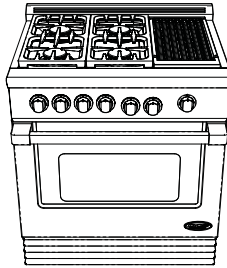
RGU/RGV-485GD  
RDU/RDV-485GD



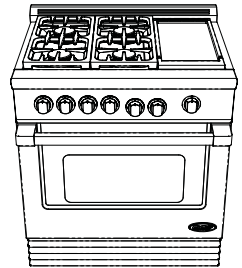
### 36" models



RGU/RGV-366  
RDU/RDV-366

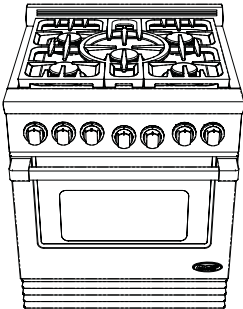


RGU/RGV-364GL  
RDU/RDV-364GL



RGU/RGV-364GD  
RDU/RDV-364GD

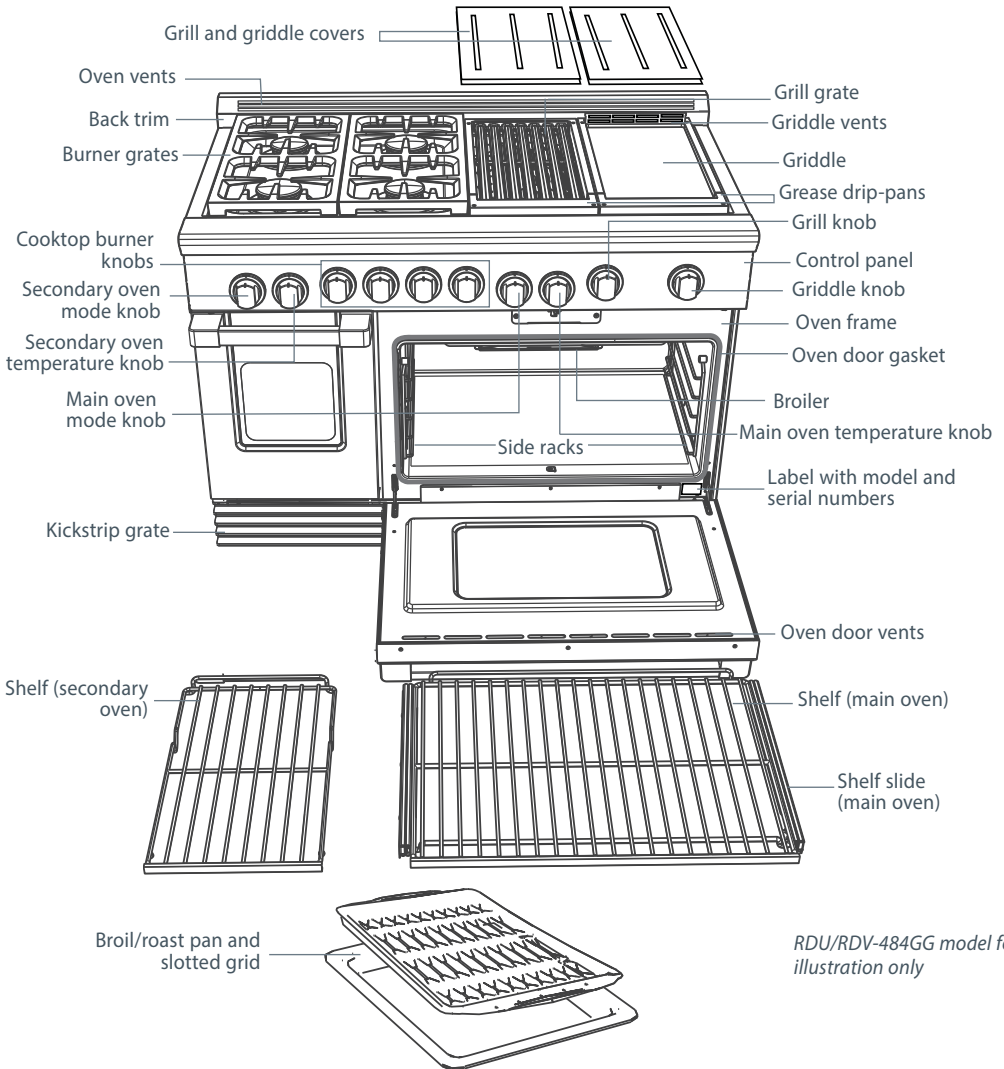
### 30" models



RGU/RGV-305  
RDU/RDV-305  
RGUC/RGVC-305

## Before you start

- 1 Make sure that the anti-tip bracket at the right rear of the range has been properly installed.
- 2 Open the main oven door and find the model and serial numbers on the label in the bottom right-hand corner of the oven frame (see the drawing opposite).  
Note these numbers down for future reference in the space provided in section 'Warranty and service'.
- 3 Read this guide, taking special note of the 'Safety and warnings' section.
- 4 Remove all the packaging from the oven(s) and cooktop. Recycle items that you can. If any adhesive residue is left on surfaces, remove this using dishwashing liquid on a soft cloth.  
Do not use any harsh or abrasive cleaners.  
Note: For RGUC/RGVC models, check that the shipping spacer cardboard insert protecting the broiler has been removed.
- 5 Make sure you follow the instructions under 'First use' before using your range for cooking.



## Important!

Do not block the vents of the oven, griddle and oven door with cookware, utensils or towels. During cleaning, take care not to let any liquids run down these vents.

## Conditioning the oven

Conditioning will burn off any manufacturing residues and ensure that you get the best results right from the start.

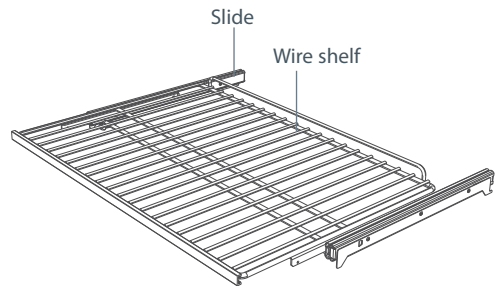
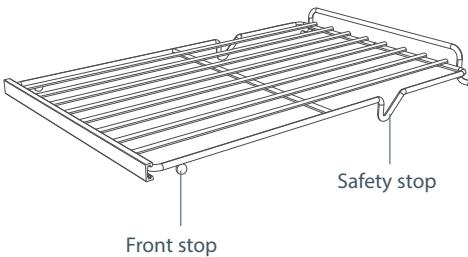
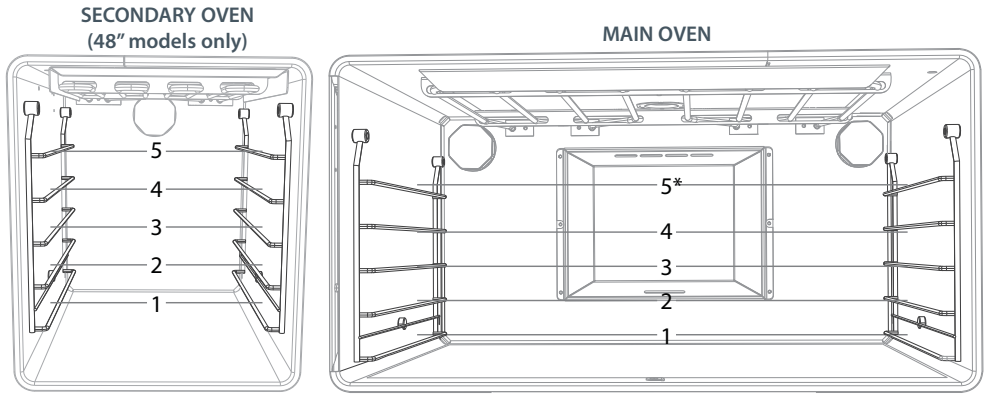
- 1 Insert all the shelves. See 'Positioning the shelves' for instructions.
- 2 Turn on the ventilation hood above your range on high.
- 3 Heat the empty oven at 450°F for:
  - 30 minutes using **BAKE**
  - 30 minutes using **BROIL** (some ovens only).See sections 'Using your oven for baking and roasting' and 'Using your oven for broiling' for instructions.
- There will be a distinctive smell while you are conditioning the oven. This is normal, but make sure the kitchen is well ventilated during the conditioning.
- 4 Once cooled, wipe out the oven with a damp cloth and mild detergent, and dry thoroughly.

## Seasoning the griddle

- 1 Clean the griddle thoroughly with hot, soapy water to remove any protective coating.
- 2 Rinse with a mixture of 1 cup water and ¼ cup white vinegar, then dry thoroughly.
- 3 Pour 1 tsp vegetable (but not corn) oil into the center of the griddle, then rub it over its entire surface, using a soft, heavy cloth.
- 4 Turn the griddle knob counterclockwise to 350°F.
- 5 When the oil begins to smoke, turn the knob clockwise back to **OFF** and allow the griddle to cool.
- 6 Repeat steps 3 to 5.
- 7 Wipe the entire surface of the griddle using a soft, heavy cloth.
- 8 Apply a very thin layer of vegetable (but not corn) oil.
- 9 Check the grease drip-pan and clean if necessary. Discard any liquid or soiling that may have collected in the grease drip-pan during the conditioning.
  - The griddle is now ready to use.
  - For best results, re-season the griddle after long periods of non-use.
  - Note: the griddle will darken with use. This is normal.

## Positioning the shelves

- Shelf positions are numbered from the bottom.
- Position the shelves you will need **before** turning the oven on.
- For advice on which shelf position to use, see sections 'Oven modes', 'Oven cooking guidelines', and 'Baking charts'.



### Secondary oven shelves

- These shelves have safety stops to keep them from sliding out of the oven when pulled forward.
- The front stops prevent the shelves from hitting against the back of the oven.

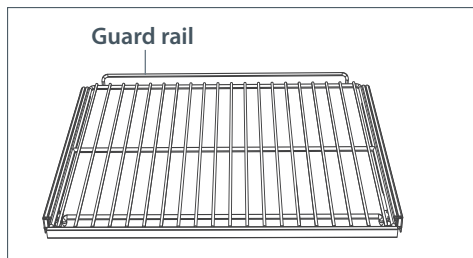
### Main oven shelves

- The wire shelves and slides are built together as one unit.
- When positioned correctly, the slides will prevent the wire shelves from tilting when pulled forward.
- Beware: these shelves are heavy.

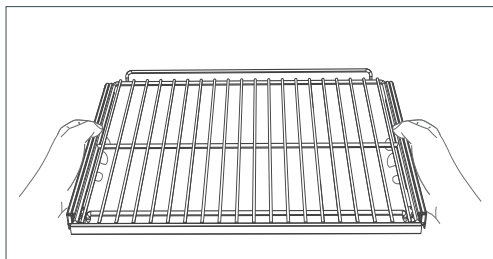
### **Important!**

*If you have an RDU/RDV or RGUC/RGVC model, never leave these shelves in the oven during a CLEAN cycle. If you do, they will no longer slide smoothly.*

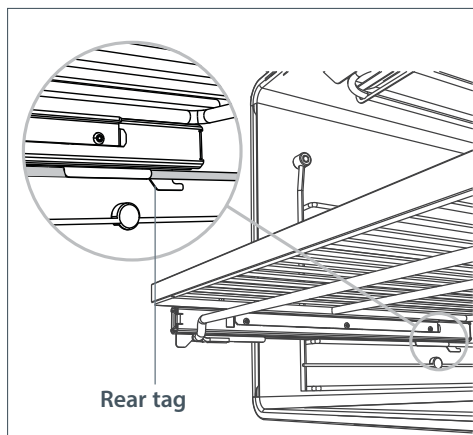
### To insert the shelves - MAIN OVEN



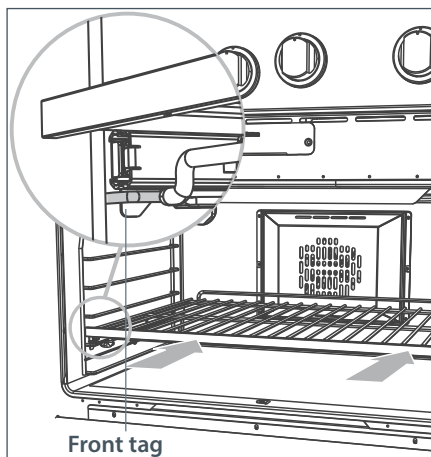
- 1 Make sure the guard rail is at the back, facing up and the slides are not extended.



- 2 Hold the shelf firmly with both hands, making sure you grip the wire shelf too to stop it sliding forward.



- 3 Hook the rear tags over the wires of the desired shelf position on both side racks.

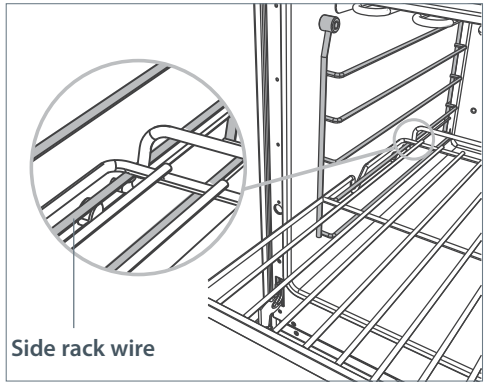
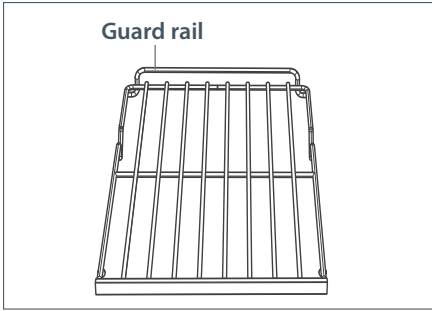


- 4 Push the shelf all the way into the oven, ensuring the front and rear tags either side are securely locked behind the side rack wires.

### To remove the shelves

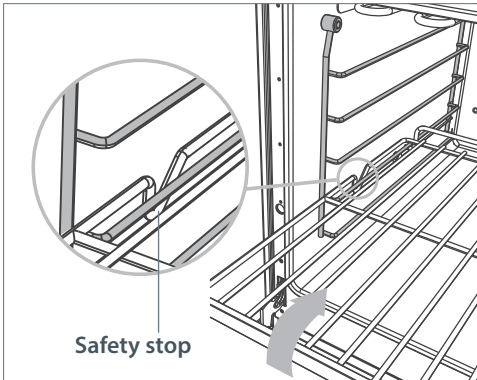
- 1 Wait for the oven to cool down completely.
- 2 Hold the shelf firmly with both hands, making sure you grip the wire shelf too to stop it sliding forward.
- 3 Pull the shelf forward about  $\frac{3}{4}$  of the way.
- 4 Lift the rear of the shelf slightly so that the tags clear the side rack wires, then remove.

To insert the shelves - SECONDARY OVEN (48" models only)

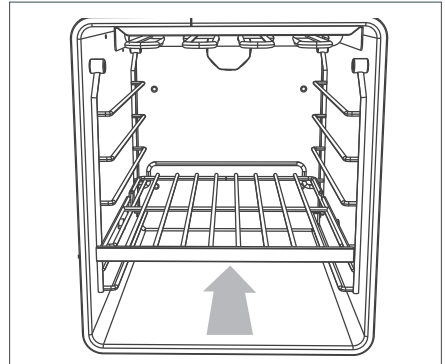


1 Make sure the guard rail is at the back, facing up.

2 Position the shelf: it should rest on the side rack wires, as shown.



3 Tilt the front up slightly to help the safety stops clear the side rack wires.



4 Lower the shelf back onto the side rack wires and slide all the way into the oven.

To remove the shelves

- 1 Wait for the oven to cool down completely.
- 2 Pull the shelf forward about  $\frac{3}{4}$  of the way.
- 3 Tilt the front up slightly to help the safety stops clear the side rack wires.
- 4 Remove the shelf.

## Oven modes

**Important!**

- In all oven modes, a cooling fan may come on to prevent parts of the range from overheating; you will hear it. It is normal for the fan to stay on after the oven is turned off.
- Depending on your model, your oven may have only some or all of the oven modes below.

ACTIVITY	OVEN MODE	DESCRIPTION
<ul style="list-style-type: none"> <li>▪ BAKING</li> <li>▪ ROASTING</li> <li>▪ REHEATING</li> <li>▪ DEFROSTING</li> </ul>	<b>BAKE</b>	This is a traditional mode for baking, roasting, and reheating food, ideal for recipes developed in older ovens. Great for your favourite roasts and baked goods that have a pastry base and do not require direct heat and browning on the top.
	<b>BAKE CONVECTION</b>	Similar to <b>BAKE</b> , but a convection fan in the back of the oven helps distribute the heat more evenly, resulting in quicker browning and shorter cooking times. When converting recipes from traditional to convection baking, reduce the stated cooking time or temperature. For some recipes, reducing both slightly may give the best results.
<ul style="list-style-type: none"> <li>▪ BROILING</li> </ul>	<b>BROIL</b>	Intense heat from the top browns or 'finishes off' your meals. Broiling also gives you a healthier alternative to frying or searing meat. For broiling that requires a quick burst of intense heat, use this mode with the temperature set to <b>BROIL</b> (= maximum intensity).
	<b>BROIL CONVECTION</b>	Intense heat from the top is distributed by the convection fan, giving a finish similar to a rotisserie: meat is crispy and evenly browned on the outside, juicy and tender in the middle. Also great for cooking vegetables and suitable for foods that you would normally pan-fry or grill.
<ul style="list-style-type: none"> <li>▪ PROOFING DOUGH*</li> <li>▪ DEFROSTING</li> </ul>	<b>PROOF</b>	Provides a gentle heat in the sealed environment of the oven, creating ideal conditions for proofing dough. Ideal for defrosting as well, but not suitable for reheating food or keeping hot food warm.
<ul style="list-style-type: none"> <li>▪ OVEN SELF-CLEANING</li> </ul>	<b>CLEAN</b>	This self-cleaning cycle takes care of the mess and grime traditionally associated with oven cleaning. During self-cleaning, the oven reaches very high temperatures. This burns off and breaks down food soils and grease deposits.

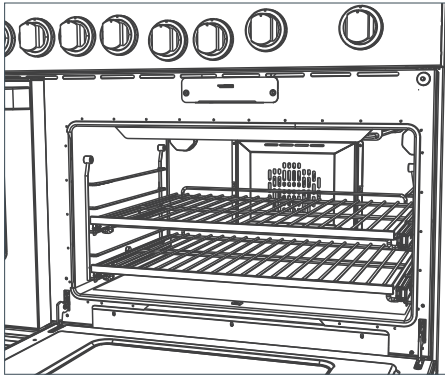
\*In models without a PROOF mode, BAKE can be used for proofing dough. See instructions in section 'Use and Care'.



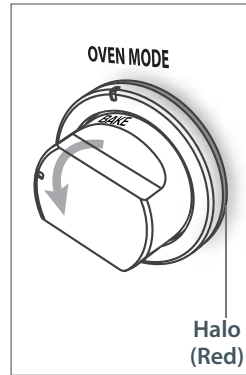
hear the fan noise and feel warm air coming from the vents in the back trim.

TYPICAL FOODS	ARRANGEMENT	DO I NEED TO PREHEAT THE OVEN?
<ul style="list-style-type: none"> <li>■ Pies</li> <li>■ Pizza</li> <li>■ Cakes</li> <li>■ Cookies</li> <li>■ Quiche</li> <li>■ Whole turkey</li> </ul>	<ul style="list-style-type: none"> <li>■ If baking on more than one shelf, ensure items or pans are staggered on shelves so that one is never directly above another.</li> <li>■ Center items in the oven as much as possible for best air circulation.</li> </ul>	<ul style="list-style-type: none"> <li>■ For baking: preheat until the temperature knob halo turns from orange to red. Depending on the temperature and type of oven, this will take around 15-20 minutes.</li> <li>■ For roasting and reheating, you don't need to preheat the oven.</li> </ul>
<ul style="list-style-type: none"> <li>■ Bread</li> <li>■ Brownie</li> <li>■ Muffins</li> <li>■ Prime rib roast</li> <li>■ Pork roast</li> <li>■ Vegetables</li> <li>■ Lasagna</li> </ul>		
<ul style="list-style-type: none"> <li>■ Chicken breasts</li> <li>■ Fish</li> <li>■ Steak/Chops/Cutlets</li> <li>■ Bacon</li> <li>■ Hamburger patties</li> <li>■ Browning casseroles</li> <li>■ 'Au gratin' dishes</li> <li>■ Slices of toast</li> </ul>	<ul style="list-style-type: none"> <li>■ Always broil with the oven door closed.</li> <li>■ For best results, place food on the broil/roast pan and grid and center it under the broiler.</li> <li>■ Use a higher shelf position for items that require quick broiling, and lower ones that need more time to cook through.</li> </ul>	<ul style="list-style-type: none"> <li>■ The oven generally doesn't need preheating for broiling.</li> <li>■ However, for best results when you want quick browning or searing, we recommend you let the broiler heat for about 5-8 minutes before placing food in the oven.</li> </ul>
<ul style="list-style-type: none"> <li>■ Vegetables</li> <li>■ Whole chicken</li> <li>■ Tenderloin of beef</li> </ul>		
<ul style="list-style-type: none"> <li>■ Bread dough</li> <li>■ Pizza dough</li> <li>■ Defrosting food</li> </ul>	Place the dough in the oven in a covered, heatproof bowl.	Yes, allow the oven to preheat for 3 minutes.
<p><i>This mode is not for cooking food. See section 'Using the CLEAN cycle' for more information.</i></p>		

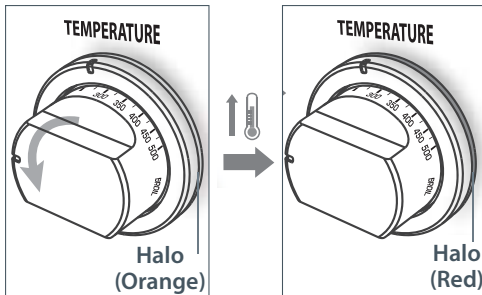
## Using your oven for baking and roasting



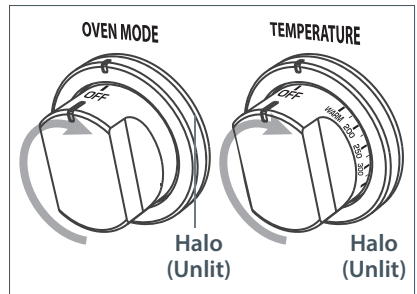
- 1 Check that you have the shelf/shelves you will need in place.
  - If not, see section 'Positioning the shelves' for instructions.



- 2 Turn the **OVEN MODE** knob counterclockwise to **BAKE** or **BAKE CONVECTION**.
  - The halo will glow red.

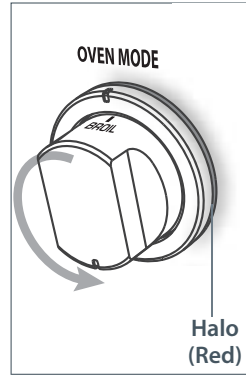
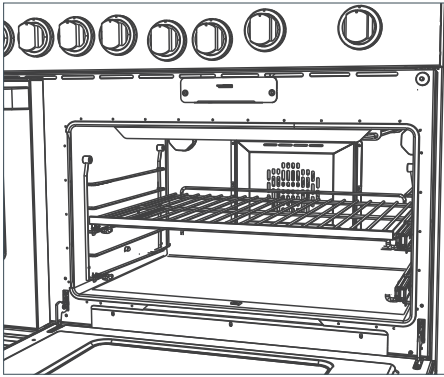


- 3 Turn the **TEMPERATURE** knob counterclockwise to the desired temperature.
  - While the oven is heating up, the halo will glow orange.
  - When the oven has reached the set temperature (in about 15-20 minutes), the halo will turn red.
  - Note: the halo may alternate between red and orange during cooking as the oven maintains the set temperature.

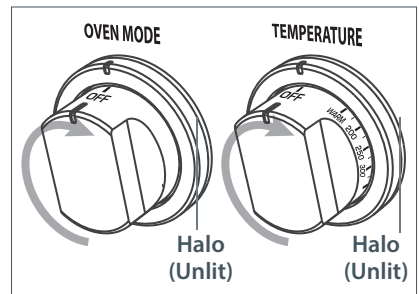


- 4 When you have finished using the oven, turn both the oven mode and temperature knobs clockwise to **OFF**.
  - The halos will go out.
  - You may continue to hear the noise of the cooling fan: it is normal for the fan to stay on.

## Using your oven for broiling



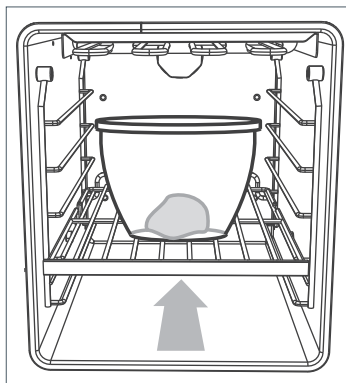
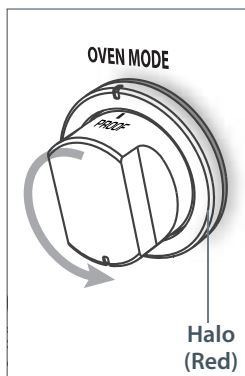
- 1 Check that you have the shelf you will need in place.
  - If not, see section 'Positioning the shelves' for instructions.
- 2 Turn the **OVEN MODE** knob counterclockwise to **BROIL** or **BROIL CONVECTION**.
  - Make sure you turn the knob exactly to the setting, never past it.
  - The halo will glow red.



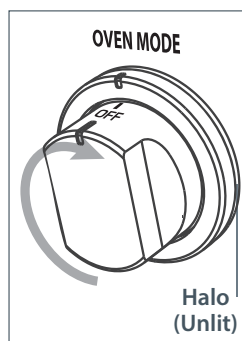
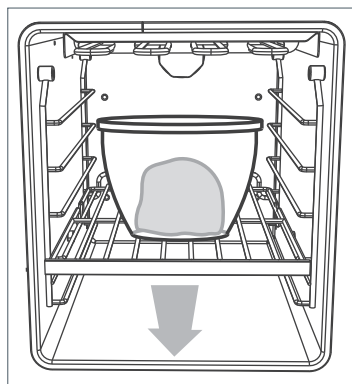
- 3 Turn the **TEMPERATURE** knob counterclockwise to **BROIL** or alternatively, a desired lower temperature.
  - The halo will glow orange, indicating that the broiler is heating.
  - For best results when you want quick browning or searing, preheat the broiler for about 5-8 minutes before placing food in the oven.
- 4 When you have finished using the oven, turn both the oven mode and temperature knobs clockwise to **OFF**.
  - The halos will go out.
  - You may continue to hear the noise of the cooling fan: it is normal for the fan to stay on.

## Using your oven for proofing dough

RDU/RDV-48 models



- 1 Turn the **OVEN MODE** knob of the secondary oven counterclockwise to **PROOF**.
  - The oven will heat to an ideal proofing temperature (100°F) in about 3 minutes.
- 2 AFTER 3 MINUTES, place the dough in the oven in a covered, heatproof bowl.

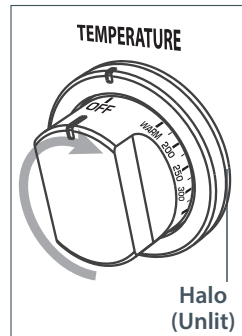
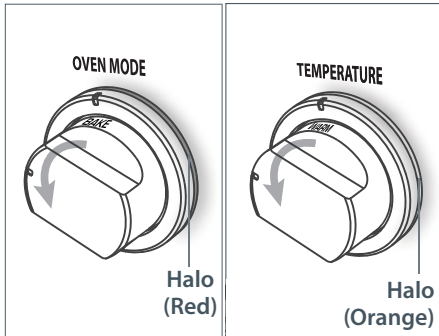


- 3 When risen to the required size, remove the dough from the oven.
- 4 Turn the oven mode knob clockwise back to **OFF**.

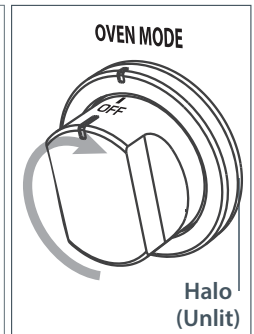
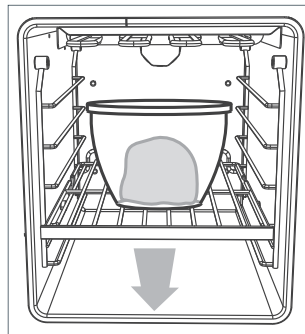
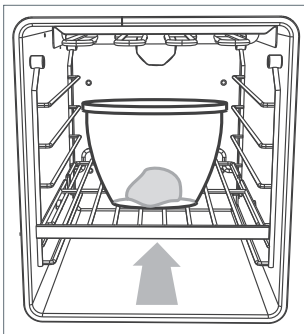
## Using your oven for proofing dough

### All other models

If your model has a secondary oven, we recommend using it for proofing dough, as the smaller volume ensures a more even temperature.



- 1 Turn the **OVEN MODE** knob counterclockwise to **BAKE** and the **TEMPERATURE** knob counterclockwise to **WARM**.
  - The oven will heat to an ideal proofing temperature (100°F) in about 5 minutes.
- 2 AFTER 5 MINUTES, turn the temperature knob clockwise back to **OFF**.



- 3 Place the dough in the oven in a covered, heatproof bowl.
- 4 When risen to the required size, remove the dough from the oven and turn the oven mode knob clockwise back to **OFF**.

## Oven cooking guidelines

### ***Important!***

- *Use all the oven modes with the oven door closed.*
- *Never use aluminum foil to cover the oven shelves or to line the floor of the oven. The trapped heat can irreversibly damage the enamel and may even cause fire.*
- *Do not place water, ice, or any dish or tray directly on the oven floor, as this will irreversibly damage the enamel.*
- *Do not cover the slotted grid of the broil/roast pan with aluminum foil. This will catch the grease and could cause fire.*
- *Do not use plastic wrap or wax paper in the oven.*
- *For food safety reasons, do not leave food in the oven for longer than two hours before and after cooking or defrosting. This is to avoid contamination by organisms which may cause food poisoning. Take particular care during warmer weather.*

## Baking

- **Always position the oven shelf/shelves you will need before turning the oven on.** For single shelf baking, the most frequently used shelf position is no. 2. See the 'Baking charts' for more suggestions on shelf positions. Remove any unused shelves and baking utensils from the oven.
- **Preheat the oven to the temperature stated in the recipe before most baking.** Depending on the temperature and the size of the oven, preheating will take around 15-20 minutes. Wait until the halo around the temperature knob turns from orange to red.
- **If you have a 48" range, the main oven is ideal for multi-shelf baking or baking larger quantities.** For smaller quantities baked on a single shelf, use the secondary oven.
- **Arrange pans and food items evenly on the shelves.** Make sure pans do not touch each other or the sides of the oven. When baking a single item, always center the item on the oven shelf. If baking on multiple shelves, make sure you stagger items on the shelves so that one is never directly above another.
- **To convert recipes from traditional baking (BAKE) to convection baking (CONVECTION),** either reduce the temperature stated in the recipe and leave the baking time unchanged, or reduce the baking time by several minutes and leave the temperature unchanged. For foods with a baking time of over an hour, reducing both the temperature and time slightly may give the best results.
- **Dark metal baking pans** or those with a dull finish absorb heat faster than shiny pans, and are excellent for pies and breads, or anything that needs browning or a crisper crust.
- **A shiny finish** may work best for foods that require lighter, delicate browning (e.g. cakes and cookies), as it reflects some heat and gives a less intense baking surface.
- **Avoid opening the oven door frequently during baking.** Do not open the oven door until at least  $\frac{3}{4}$  through the suggested baking time.

## Oven cooking guidelines

### Roasting

- **Use the broil/roast pan and slotted grid supplied with the range when roasting**, elevating the meat on a metal roasting rack. This allows hot air to circulate around the meat, giving a more even browning and a result similar to a rotisserie. A suitable roasting rack can be purchased through your DCS by Fisher & Paykel dealer or Customer Care.
- **When roasting larger items like a whole turkey**, use only the pan and grid for greater stability.
- **Use a meat thermometer** to accurately determine the doneness of meat.

### Broiling

- **Always broil with the oven door closed**. If you open the oven door to check the food, have it open for as short a time as possible. This is to prevent the control panel from overheating.
- **Use both the broil/roast pan and slotted grid supplied**. The grid helps to reduce smoking and splatter by letting grease drip into the bottom of the pan, away from intense heat. To prevent food sticking, spray the grid with a light coating of non-stick cooking spray.
- **Use a meat thermometer** to accurately determine the doneness of meat.
- **Choose a suitable shelf position**. To ensure that meat is cooked through rather than just browned on the outside, broil thick pieces of meat and poultry on shelf positions 2 or 3. Use shelf position 4 for thinner items that need less cooking time like steaks, chops, or hamburger patties.
- **When finishing off meals by browning the top under the broiler**, use metal or glass-ceramic bakeware. Do not use heatproof glass or earthenware, as these cannot withstand the intense heat of the broiler.
- **Center the item in the oven**, so that it is directly under the broiler.

### Proofing dough

- **Heatproof glass bowls are best for proofing**, as you can gauge the increase in size without having to open the oven or remove the cover.
- **To lock in or increase moisture during proofing**, cover the bowl with a damp dish towel.

### Defrosting

- **To thaw uncooked frozen food**, set the oven mode to **BAKE** or **CONVECTION** and set the temperature to **WARM**. Once thawed, cook the food immediately and do not refreeze.
- **To prevent liquid from thawing food dripping on the oven floor**, be sure any uncooked food is tightly wrapped in foil and/or placed in a container.

For more oven cooking tips, visit our website, [www.dcsappliances.com](http://www.dcsappliances.com).

## Baking charts

- The settings in the following chart are guidelines only. Follow the instructions in your recipe or on food packaging and be prepared to adjust the oven settings and baking times to achieve the best possible results for you.
- Settings in **bold** indicate the **recommended** method.

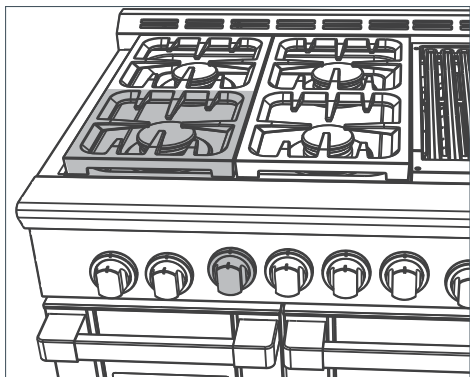
RDU/RDV models - Main oven					
Food	Single or multi shelf	Shelf position(s)	Mode	Temperature (°F)	Time (min)
Sugar cookies	<b>single</b>	<b>2</b>	<b>BAKE</b>	<b>350-375</b>	<b>7-9</b>
	single	<b>2</b>	BAKE CONVECTION	<b>325-350</b>	<b>7-9</b>
Yellow cake	<b>multi</b>	<b>1 and 3</b>	<b>BAKE</b>	<b>325-350</b>	<b>28-32</b>
	multi	<b>1 and 3</b>	BAKE CONVECTION	<b>300-325</b>	<b>28-32</b>
White cake	<b>multi</b>	<b>1 and 3</b>	<b>BAKE</b>	<b>325-350</b>	<b>28-32</b>
	multi	<b>1 and 3</b>	BAKE CONVECTION	<b>300-325</b>	<b>28-32</b>
Angel food cake	<b>single</b>	<b>1 or 2</b>	<b>BAKE</b>	<b>325-350</b>	<b>45-60</b>
	single	<b>1 or 2</b>	BAKE CONVECTION	<b>300-325</b>	<b>45-55</b>
Pound cake	<b>single</b>	<b>1 or 2</b>	<b>BAKE</b>	<b>300-325</b>	<b>55-70</b>
	single	<b>1 or 2</b>	BAKE CONVECTION	<b>275-300</b>	<b>55-70</b>



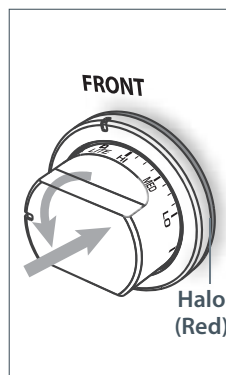
## Baking charts

RGU/RGV and RGUC/RGVC models – Main oven					
Food	Single or multi shelf	Shelf position(s)	Mode	Temperature (°F)	Time (min)
Sugar cookies	<b>single</b>	<b>2</b>	<b>BAKE</b>	<b>350-375</b>	<b>7-9</b>
	single	<b>2</b>	BAKE CONVECTION	<b>325-350</b>	<b>6-9</b>
Yellow cake	<b>multi</b>	<b>1 and 3</b>	<b>BAKE</b>	<b>325-350</b>	<b>28-32</b>
	multi	<b>1 and 3</b>	BAKE CONVECTION	<b>300-350</b>	<b>28-32</b>
White cake	<b>multi</b>	<b>1 and 3</b>	<b>BAKE</b>	<b>325-350</b>	<b>23-32</b>
	multi	<b>1 and 3</b>	BAKE CONVECTION	<b>300-325</b>	<b>23-32</b>
Angel food cake	<b>single</b>	<b>1 or 2</b>	<b>BAKE</b>	<b>325-350</b>	<b>37-47</b>
	single	<b>1 or 2</b>	BAKE CONVECTION	<b>325-350</b>	<b>37-45</b>
Pound cake	<b>single</b>	<b>1 or 2</b>	<b>BAKE</b>	<b>275-300</b>	<b>55-70</b>
	single	<b>1 or 2</b>	BAKE CONVECTION	<b>275-300</b>	<b>55-70</b>

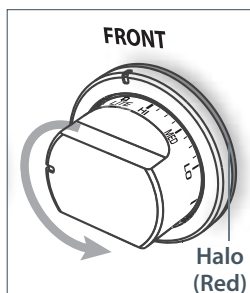
## Using the cooktop burners



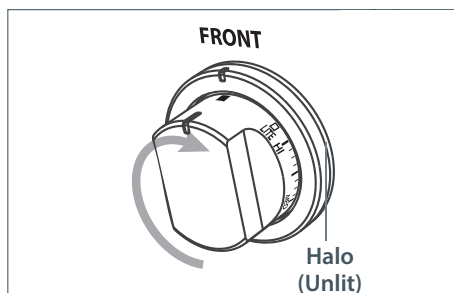
- 1 Identify the knob of the burner you want to use.



- 2 Push the knob in and turn it counterclockwise to **LITE**.
  - Make sure you stop at **LITE** before turning the knob to any flame setting.
  - The halo will glow red.
  - You will start hearing a clicking sound. If there is no clicking, turn the knob clockwise back to **OFF** and see 'Troubleshooting' for advice.



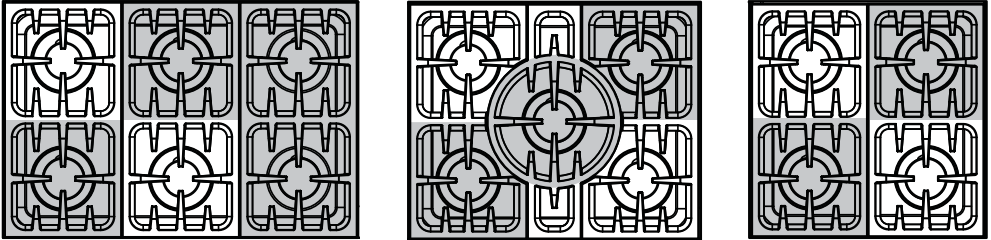
- 3 When the burner has lit, turn the knob to any setting between **HI** (high) and **SIM** (simmer).
  - The clicking should stop as soon as the burner has lit.
  - If the burner doesn't light, and/or the clicking doesn't stop, or the flames are not blue and well-defined, turn the knob clockwise back to **OFF** and see 'Troubleshooting' for advice.



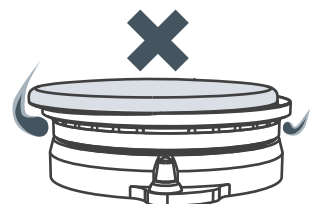
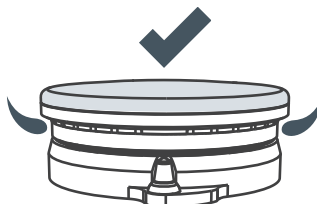
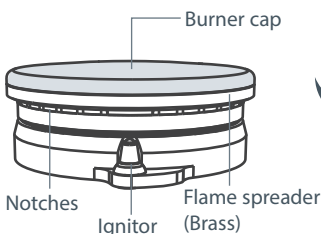
- 4 When you have finished cooking, turn the knob clockwise back to **OFF**.
  - The knob will release and the burner and halo will go out.
  - If you are using LP gas, there may be a slight 'extinction pop' or flash at the flame spreader a few seconds after the burner has been turned off. This is normal for LP gas.

## Guidelines for using the cooktop burners

- All burners have the same low turn-down setting (**SIM**) for gentle simmering (1,300 BTU/hr). Use the **SIM** setting for melting chocolate and butter, cooking rice and delicate sauces, simmering soups and stews, and keeping cooked food hot.
- For cooking that requires especially intense heat (e.g. searing meat, wok-cooking, stir-frying), use the shaded burners, as these have a higher maximum output (17,000 BTU/hr for Natural gas) than the other burners (12,500 BTU/hr for Natural gas).

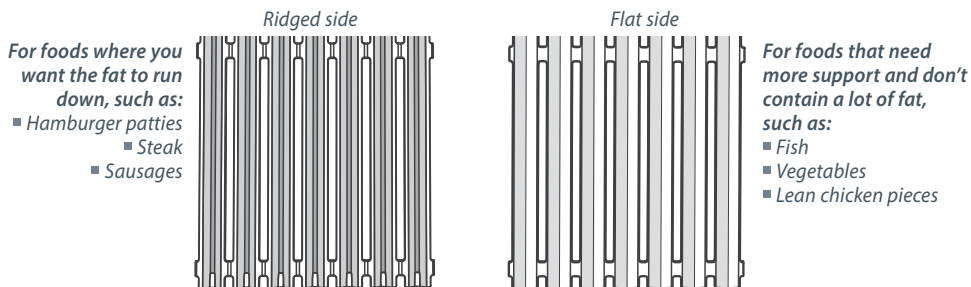


- **Never leave the cooktop unattended when in use.** Boilover causes smoking and greasy spills that may ignite.
- **Never allow flames to extend beyond cookware or curl up its sides.** This could discolor and damage the utensil and you may get burned touching a hot handle.
- **Keep handles out of the way.** Turn handles so that they don't extend over the edge of the range or another burner that is on.
- **Take care when deep-frying.** Oil or fat can overheat very quickly, particularly on a high setting.
- **Make sure that all burner parts are properly in place.** Incorrectly or incompletely assembled burners may produce dangerous flames. See 'Replacing the burner parts' in 'Care and cleaning'.
- **Keep the burners clean.** Especially after a spill or boilover, make sure you clean the affected burners before using them again. Food residue may clog the ignitor and the notches of the flame spreader, stopping the burner from functioning correctly. See 'Care and cleaning' for instructions.
- **Check that the burner flames are regular.** They should be blue with no yellow tipping, and burn without fluttering all around the burner cap. If not, see 'Troubleshooting' for advice.
- **Use woks only with a wok ring.** Wok rings can be purchased separately through your DCS by Fisher & Paykel dealer or Customer Care. To use, place the wok ring over the grates, making sure the small protrusions on its bottom straddle the grate fingers. The wok ring should be stable and unable to rotate.



## Using the grill

The grill has a reversible grate. It will change color with use as oils cook onto the surface. This is normal and doesn't affect grilling performance.

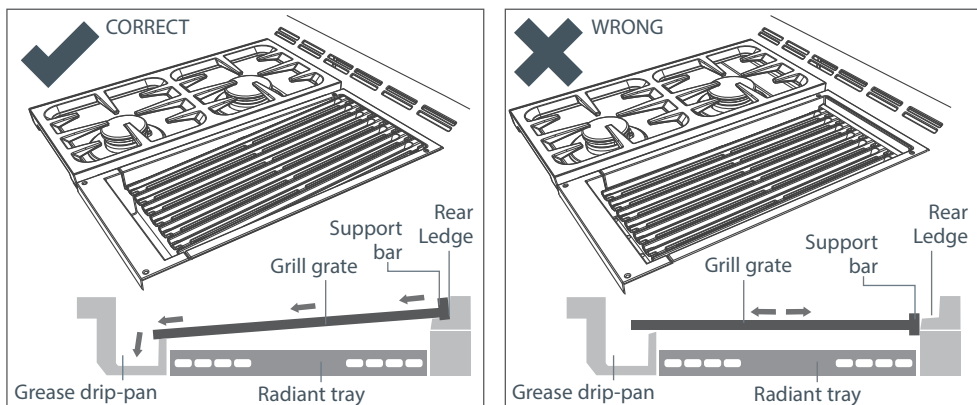


### To use the grill

- 1 Remove the cover and check that the grease drip-pan and the grill grate are properly in place and you have the best side for your food. The grate should always be sloping towards the grease drip-pan, with its support bar firmly resting in the groove of the rear ledge, as shown.

### Important!

*Never turn on or use the grill with the grill cover in place.*



- 2 Turn the grill knob counterclockwise to the **LITE/HI** setting.
  - The halo around the knob will glow red.
  - There may be a delay of a minute or so before the grill burner lights. This is normal.
- 3 Allow the empty grill to preheat for about 15 minutes.
- 4 Adjust the heat anywhere between **HI** (high) and **LO** (low) during grilling.
- 5 When you have finished using the grill, turn the grill knob clockwise back to **OFF**.
- 6 Clean the grill grate immediately after use. See 'Care and cleaning' for instructions.
- 7 When the grill has cooled down, clean the grease drip-pan. See 'Care and cleaning' for instructions.

## Grill cooking guidelines

### **Important!**

- *Never leave the grill unattended during use. Grease drippings may cause short flare-ups or even sustained flaming. If left unattended, these may cause fire.*
- *Make sure you have your ventilation hood set on maximum during grilling.*
- *Clean the grease drip-pan after every use. Accumulated grease can be a fire hazard.*
- The longer you preheat the grill, the darker the grill marks will appear on food.
- Trim excess fat off meat to minimize flare-ups.
- Generally, start out on a high setting to sear or brown meat, then lower the setting to make sure that meat or poultry is cooked through.
- When turning meat over, use tongs or a spatula as these will not puncture the meat and allow the juices to run out.

## Using the griddle

The griddle will darken and 'season' with use, developing a natural non-stick coating. When it is properly seasoned it can be used without any additional oil.

- 1 Remove the cover and check that the grease drip-pan is properly in place.

### **Important!**

- *Never turn on or use the griddle with the cover in place.*
  - *Always keep the vents at the rear of the griddle frame clear of any object: airflow to the vents must not be blocked.*
- 2 If you haven't used the griddle for a long time, re-season it. See section 'First use' for instructions.
  - 3 Turn the griddle knob counterclockwise to the desired temperature.
    - There may be a delay of a minute or so before the griddle comes on. This is normal.
    - While the griddle is heating up, the halo around its knob will glow orange.
    - See the 'Griddle cooking chart' below for suggestions.
  - 4 When the halo turns red (after about 15 minutes), the griddle is ready to use.
    - Note: the halo may alternate between red and orange during use as the griddle maintains the set temperature.
  - 5 When you have finished using the griddle, turn its knob clockwise back to **OFF**.
  - 6 Clean the griddle and grease drip-pan after every use. The griddle should be cleaned very carefully while it is still hot. See 'Care and cleaning' for instructions.

### **Important!**

*Clean the grease drip-pan after every use. Accumulated grease can be a fire hazard.*

## Griddle cooking chart

Food	Temperature setting
Eggs	225-250 °F
Bacon, ham, pork chops	300-325 °F
Sausage, grilled cheese sandwiches	325-350 °F
Pancakes, French toast	350-375 °F
Hash brown potatoes	400-425 °F

## DOs

- Read these cleaning instructions and the 'Safety and warnings' section before you start cleaning your range.
- Before cleaning or removing any part, make sure that everything on the range has been turned off.
- Unless suggested otherwise in the chart following, allow any part to cool to a safe temperature before cleaning. If you do need to handle a warm or hot part (e.g. grill or griddle), take extreme care. Wear long protective mitts to avoid burns from steam or hot surfaces.
- Try using any cleaner on a small area first, to ensure it doesn't stain.
- See the pages following this chart for instructions on removing and replacing different parts of the range for cleaning or maintenance.
- To help you identify any parts, see illustrations in section 'Introduction' and after this cleaning chart.
- Ensure the anti-tip device is re-engaged if you move the range for cleaning. Failure to do this may result in the oven tipping, and adults and children may be killed.

## DON'Ts

- *Do not use aerosol cleaners until the range has completely cooled. The propellant substance in these cleaners could catch fire in the presence of heat.*
- *Do not let soiling or grease accumulate anywhere in or on the range. This will make future cleaning more difficult and may present a fire hazard.*
- *Do not use any abrasive or harsh cleaners, cloths, scouring pads or steel wool. These will scratch your range and damage its appearance.*
- *Do not use a steam cleaner to clean any part of the range.*
- *Do not perform any cleaning or maintenance on parts not specifically named in the chart below. If in doubt, contact Customer Care.*
- *Do not lift the black grill and griddle frames off the cooktop.*

## Manual cleaning chart

What?	How?	Important!
<b>Range exterior</b>		
<b>Door frame exterior, Control panel, Sump area around cooktop burners, Grill and griddle covers, Back trim</b>	<ol style="list-style-type: none"> <li>1 Soften any stubborn stains under a hot soapy cloth.</li> <li>2 Clean with a solution of mild detergent and hot water, then wipe dry with a microfiber cloth.</li> <li>3 For extra shine, use a suitable stainless steel cleaner and polish, following manufacturer's instructions. Always rub the stainless steel in the direction of the polish lines.</li> </ol>	<ul style="list-style-type: none"> <li>■ <i>Always read the label to make sure your stainless steel cleaner does not contain chlorine compounds as these are corrosive and may damage the appearance of your range.</i></li> <li>■ <i>Do not use and take care not to spill any stainless steel cleaner on the knobs, oven handles, or the kickstrip grate. These are not stainless steel parts and their surface may be damaged by stainless steel cleaner.</i></li> <li>■ <i>When cleaning the back trim and the top of the oven door, be careful not to let any liquid run down the vent holes.</i></li> </ul>

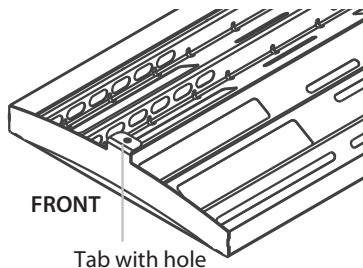
What?	How?	Important!
<b>Control knobs, Oven handles, Kickstrip grate</b>	<ol style="list-style-type: none"> <li>Wipe with a damp cloth using a solution of mild detergent and hot water.</li> <li>Dry thoroughly with microfiber cloth.</li> </ol> <p>If wished, the knobs can be removed for cleaning. Before removing a knob, make sure that it is set to <b>OFF</b>, then pull it straight towards you. Remove only one knob at a time, and make sure that you refit it on its shaft completely and correctly after cleaning.</p>	<ul style="list-style-type: none"> <li>Do not use stainless steel cleaner on these parts, as doing so may damage their coating.</li> <li>The knobs are not interchangeable: if you remove them for cleaning, do so one at a time. This is to ensure that you replace each knob exactly where you removed it from.</li> </ul>
<b>Oven parts</b>		
<b>Enamel oven interior – light soiling</b>	<ol style="list-style-type: none"> <li>Wipe with a damp cloth and a solution of hot water and mild detergent.</li> <li>Wipe dry with a soft cloth.</li> </ol> <p>Note: the oven door may be removed to make reaching into the oven easier.</p>	<p>To prevent soiling from becoming 'baked on' and stubborn, we recommend removing any easy-to-reach spills, food or greasy stains from the enamel after each use. In self-cleaning ovens, this will also reduce the need for using the CLEAN cycle frequently.</p>
<b>Enamel oven interior – stubborn, 'baked-on' soiling</b>	<ul style="list-style-type: none"> <li><b>Self-cleaning ovens (those with CLEAN on the oven mode knob):</b> use the <b>CLEAN</b> cycle. See 'Using the CLEAN cycle' for instructions.</li> <li><b>Non-self-cleaning ovens (those without CLEAN on the oven mode knob):</b> <ol style="list-style-type: none"> <li>Remove everything from the oven: shelves, side racks, all utensils.</li> <li>Cover the kickstrip grate and the floor in front of the oven with several layers of newspaper. This is to protect these surfaces from damage by oven cleaner seeping out or accidentally dripping on them.</li> <li>Apply an ammonia-based cleaner or oven cleaner following the cleaner manufacturer's instructions.</li> <li>After cleaning, replace the side racks and shelves.</li> </ol> </li> </ul>	<ul style="list-style-type: none"> <li>Don't use oven cleaners in self-cleaning ovens (those with CLEAN on the oven mode knob).</li> <li>Oven cleaners are caustic and may permanently stain or damage some surfaces. When using an oven cleaner in a non-self-cleaning oven, take care not to let it come in contact with any surface other than the oven interior. If it accidentally does, remove immediately.</li> </ul>
<b>Side racks</b>	<ul style="list-style-type: none"> <li>Pre-soak any stubborn, burnt-on soiling, then clean with a solution of mild detergent and hot water and wipe dry with a microfiber cloth.</li> <li>Alternatively, clean these in the dishwasher.</li> </ul>	
<b>Oven shelves</b>	<ol style="list-style-type: none"> <li>To remove stubborn or 'baked-on' soiling, scrub with a dampened, soap-filled, non-metal, non-abrasive pad, then wipe dry.</li> <li>Apply a chrome cleaner with a damp sponge or cloth following manufacturer instructions.</li> <li>Wipe and dry.</li> </ol>	<p>Do not wash the main oven shelves in the dishwasher, immerse them in soapy water, or use oven cleaner on them. Doing so will remove the lubricating grease in the slides, stopping them from running smoothly.</p>

What?	How?	Important!
<b>Oven parts</b>		
<b>Broil/roast pan and slotted grid</b>	<ol style="list-style-type: none"> <li>1 Pre-soak any stubborn soiling in a solution of mild detergent and hot water.</li> <li>2 Wash by hand or in a dishwasher.</li> </ol>	
<b>Bake and broil burners (gas ovens)</b>	Do not clean these parts. They self-clean during normal use.	
<b>Broil element (electric ovens)</b>		
<b>Oven door glass (interior)</b>	<ul style="list-style-type: none"> <li>▪ <b>Self-cleaning ovens (those with CLEAN on the oven mode knob):</b> This will be cleaned during a CLEAN cycle. However, if it is particularly soiled, wipe down with hot water to loosen stains before starting a CLEAN cycle.</li> <li>▪ <b>Non-self-cleaning ovens (those without CLEAN on the oven mode knob):</b> Use a soft cloth and a mixture of warm water and dishwashing liquid to remove light soiling. For stubborn stains, try using a ceramic cooktop cleaner or a mixture of baking soda and warm water, then wipe dry with a soft, lint-free cloth.</li> </ul>	<i>Do not use oven cleaners or any other harsh/abrasive cleaners, cloths, scouring pads, steel wool or sharp metal scrapers to clean the oven door glass. These scratch the glass, which in turn could result in the glass cracking and shattering.</i>
<b>Oven door glass (exterior)</b>	Clean using a soft cloth and a mixture of warm water and dishwashing liquid or glass cleaner.	
<b>Oven door gasket</b>	<p>Avoid cleaning this part. If you need to remove large food particles off it, proceed as follows:</p> <ol style="list-style-type: none"> <li>1 Dampen a sponge with clean hot water.</li> <li>2 Gently wipe off the soiling, but do not rub.</li> <li>3 Press a dry towel gently on the gasket to dry.</li> </ol>	<ul style="list-style-type: none"> <li>▪ <i>Do not use any cleaning agent on the gasket.</i></li> <li>▪ <i>The gasket is essential for a good seal. Take care not to rub, displace, or damage it.</i></li> </ul>



What?	How?	Important!
<b>Cooktop parts</b>		
<b>Burner caps and brass flame spreaders</b>	<ol style="list-style-type: none"> <li>1 Check that the burner is turned OFF and allow it to cool.</li> <li>2 Lift off the burner cap and brass flame spreader.</li> <li>3 Wash them in hot soapy water, rinse, and dry. <ul style="list-style-type: none"> <li>■ Use a stiff nylon brush or straight-ended paper clip to clear the notches of a flame spreader.</li> </ul> </li> <li>4 Replace the flame spreader and burner cap correctly. See 'Replacing the burner parts'.</li> </ol>	<ul style="list-style-type: none"> <li>■ <i>Keep the notches of the flame spreaders clear. Soiling may clog these and cause ignition problems.</i></li> <li>■ <i>Before replacing the burner parts, check that they are dry. Wet burner parts may result in an irregular flame.</i></li> <li>■ <i>Before lighting a burner you have reassembled, check that all of its parts are positioned correctly. Incorrect assembly can cause dangerous irregular flames and ignition problems.</i></li> </ul>
<b>Ignitors</b>	<ol style="list-style-type: none"> <li>1 Check that the burner is turned OFF.</li> <li>2 Clean the ignitor with a small brush (e.g. old toothbrush) or cotton swab that has been dipped into rubbing alcohol.</li> </ol>	<i>The ignitors must be kept clean and dry to work correctly. Dirty or wet ignitors could cause constant clicking and sparking, even if a flame is present.</i>
<b>Burner grates</b>	<ol style="list-style-type: none"> <li>1 Wait until the grates have cooled completely.</li> <li>2 Carefully lift the grates off the cooktop and place them on a protected surface.</li> <li>3 To remove stubborn stains, soak the grates in a mixture of clothes washing detergent and water.</li> <li>4 Wash in a mixture of hot water and dishwashing liquid, then rinse and allow to dry. <ul style="list-style-type: none"> <li>■ The grates are also dishwasher safe.</li> </ul> </li> </ol>	<ul style="list-style-type: none"> <li>■ <i>Take care, the grates are heavy.</i></li> <li>■ <i>Make sure you place a dish towel or other soft cover on the surface before putting a grate on it.</i></li> </ul>

What?	How?	Important!
<b>Cooktop parts</b>		
<b>Grill grate</b>	<ol style="list-style-type: none"> <li>1 Check that the grill has been turned off.</li> <li>2 Put on barbecue mitts for protection against steam and heat.</li> <li>3 Scrub the grill with a brass bristle barbecue brush dipped frequently into a bowl of warm water. The softened food particles will drop onto the radiant tray below the grate.</li> <li>4 Once the grate has cooled completely, remove it and wash in the sink with hot soapy water.</li> <li>5 Dry with a soft cloth, then replace.</li> </ol>	<ul style="list-style-type: none"> <li>■ <i>The grill grate should be cleaned immediately after use (while it is still hot), so that food particles do not become 'baked-on' and hard to remove.</i></li> <li>■ <i>The grill grate will change color with use. This is normal.</i></li> <li>■ <i>To ensure that you replace the grill grate correctly, see illustrations in section 'Using the grill'.</i></li> </ul>
<b>Radiant tray (under grill grate)</b>	<ol style="list-style-type: none"> <li>1 Wait until the grill has completely cooled.</li> <li>2 Lift off the grill grate, lift out the grease drip-pan, then carefully lift out the radiant tray.</li> <li>3 Shake it gently over a sheet of newspaper or waste bin to empty it of ash and food particles.</li> <li>4 Replace the tray, making sure that the tab with the hole is at the front of the range.</li> <li>5 Replace the grease drip-pan and the grate.</li> </ol>	<ul style="list-style-type: none"> <li>■ <i>The radiant tray doesn't need regular cleaning. Clean only if there's evidence of large food particles.</i></li> <li>■ <i>The radiant tray doesn't need cleaning with water, as smaller soiling will be burned off during use.</i></li> <li>■ <i>Make sure you replace the radiant tray correctly: the tab with the hole must be at the front.</i></li> </ul>



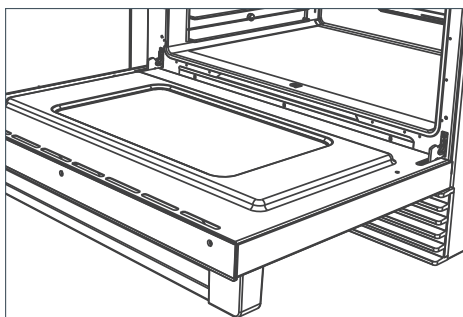
What?	How?	Important!
<b>Cooktop parts</b>		
<b>Griddle</b>	<ul style="list-style-type: none"> <li>■ <b>To remove light soiling after each use:</b> <ol style="list-style-type: none"> <li>1 While the griddle is still hot, use a square-edged spatula or brass brush to clean the griddle of grease and food particles.</li> <li>2 Once the griddle has cooled to lukewarm, rub the surface lightly with vegetable oil, then wipe thoroughly with a heavy, coarse cloth.</li> </ol> </li> <li>■ <b>To remove stubborn, 'baked-on' soiling:</b> <ol style="list-style-type: none"> <li>1 Use a griddle stone following manufacturer's instructions, taking care to avoid the griddle's black frame.</li> <li>2 Wash with hot soapy water, rinse and dry.</li> <li>3 Re-season the griddle following instructions in section 'First use'.</li> </ol> </li> </ul>	<ul style="list-style-type: none"> <li>■ <i>Take extreme care while cleaning a hot griddle: wear barbecue mitts and be careful of steam and hot surfaces.</i></li> <li>■ <i>Never flood the hot griddle with cold water: this could cause it to crack or warp.</i></li> <li>■ <i>Do not lift the black griddle frame off the cooktop. The griddle assembly must not be removed.</i></li> <li>■ <i>The griddle will develop a non-stick coating and will darken or discolor in patches with use: this is normal.</i></li> </ul>
<b>Grease drip-pan</b>	<ol style="list-style-type: none"> <li>1 Wait until the grease drip-pan has cooled to a safe temperature to touch, then slide it slightly towards you and lift out.</li> <li>2 Discard grease, then clean the drip-pan with hot water and dishwashing liquid. The grease drip-pan is also dishwasher-safe.</li> <li>3 Rinse with clean water and allow to dry.</li> <li>4 Replace the clean grease drip-pan.</li> </ol>	<i>Do not use abrasive cleaners or scouring pads as they may damage the coating.</i>
<b>Black frame of grill and griddle</b>	<ol style="list-style-type: none"> <li>1 Soften any stubborn stains under a hot soapy cloth.</li> <li>2 Clean with a solution of mild detergent and hot water, then wipe dry with a microfiber cloth.</li> </ol>	<ul style="list-style-type: none"> <li>■ <i>Do not lift the frame off the cooktop.</i></li> <li>■ <i>Do not use abrasive cleaners or scouring pads as they may damage the coating.</i></li> </ul>
<b>Wok ring (not supplied, purchased separately)</b>	<ol style="list-style-type: none"> <li>1 To remove stubborn stains, soak the wok ring in a mixture of clothes washing detergent and water.</li> <li>2 Wash in a mixture of hot water and dishwashing liquid, then rinse and allow to dry.</li> </ol> <ul style="list-style-type: none"> <li>■ The wok ring is also dishwasher-safe.</li> </ul>	

## Removing and replacing the oven door

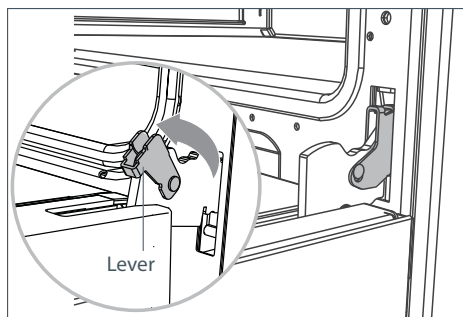
### **Important!**

- *Do not lift the oven door by its handle. Doing so may damage the door.*
- *Make sure the oven and the door are cool before you begin to remove the door.*
- *Before removing the door, make sure there is a large enough clear, protected surface in the kitchen to rest the door on.*
- *Take care, the oven door is heavy!*

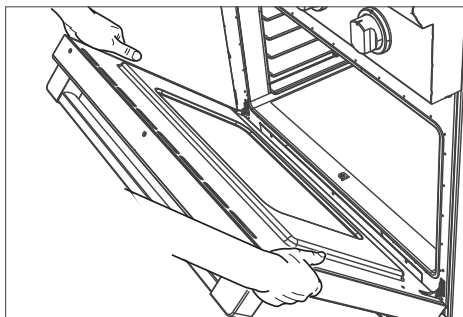
### To remove the oven door



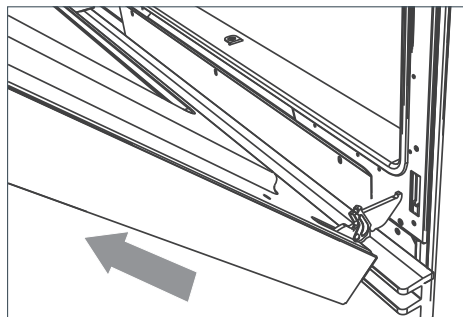
1 Open the door fully.



2 Open the levers fully on both sides.

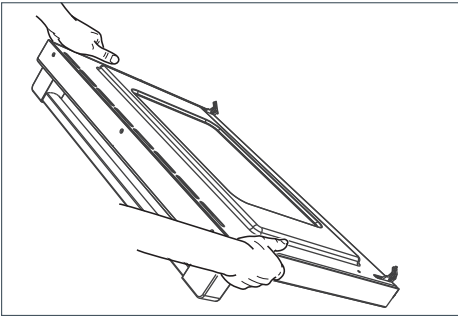


3 Holding the door firmly on both sides, gently close it about halfway.

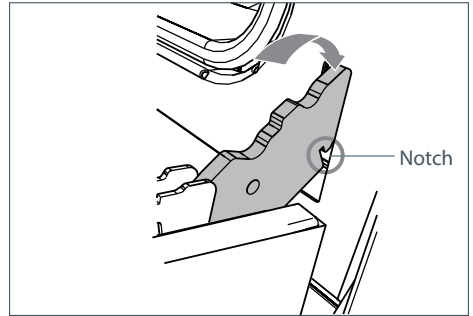


4 Disengage the hinges and remove the door. Place on a protected surface.

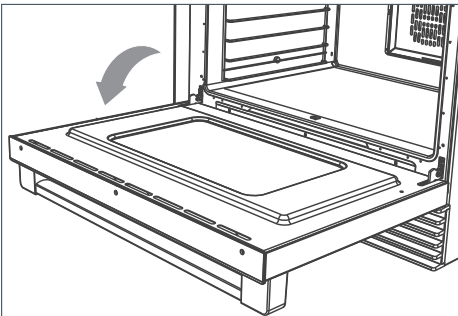
### To replace the oven door



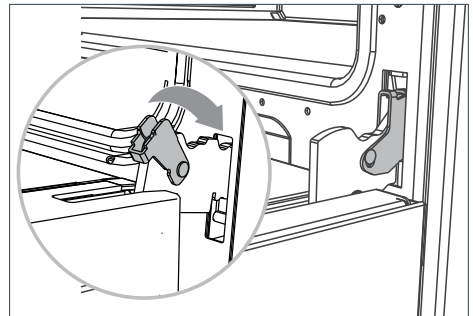
- 1 Hold the door firmly in an approximately halfway open position.



- 2 Insert the hinge tongues into the slots, making sure that the notches on both sides drop into place as shown.



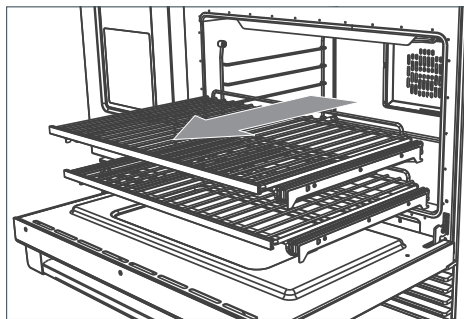
- 3 Open the door fully.



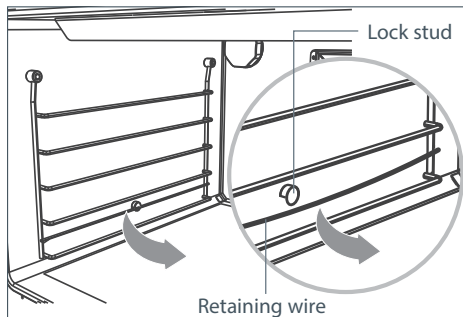
- 4 Fully close the levers on the left and right hinges, as shown, then close the door.

## Removing and replacing the side racks

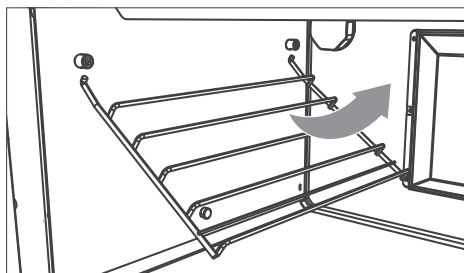
### To remove side racks



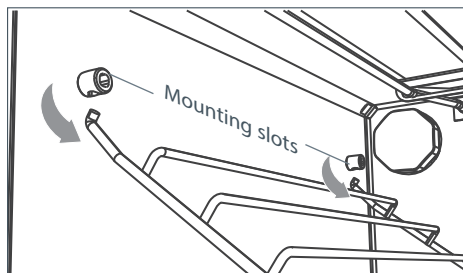
- 1 Remove any shelves first. See section 'Positioning the shelves' for instructions.



- 2 Gently pull down on the retaining wire from underneath the lock stud. The retaining wire will pop out.

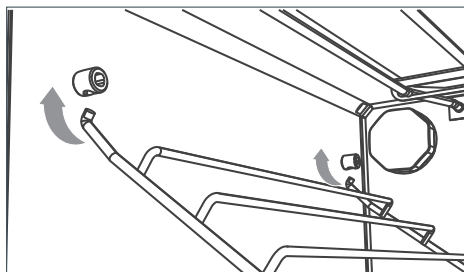


- 3 Swing the bottom of the side rack up towards the center of the oven until it is almost horizontal.

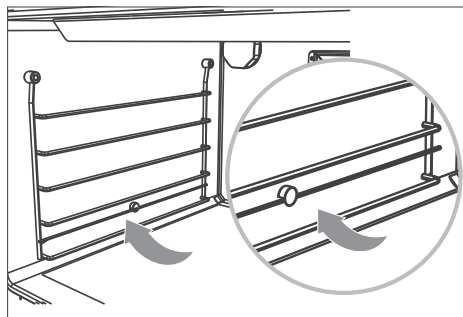


- 4 Slide the prongs at the top out of the mounting slots.

### To replace side racks



- 1 Supporting the side rack with your hand from underneath, hold it almost horizontally and locate the prongs into the mounting slots.

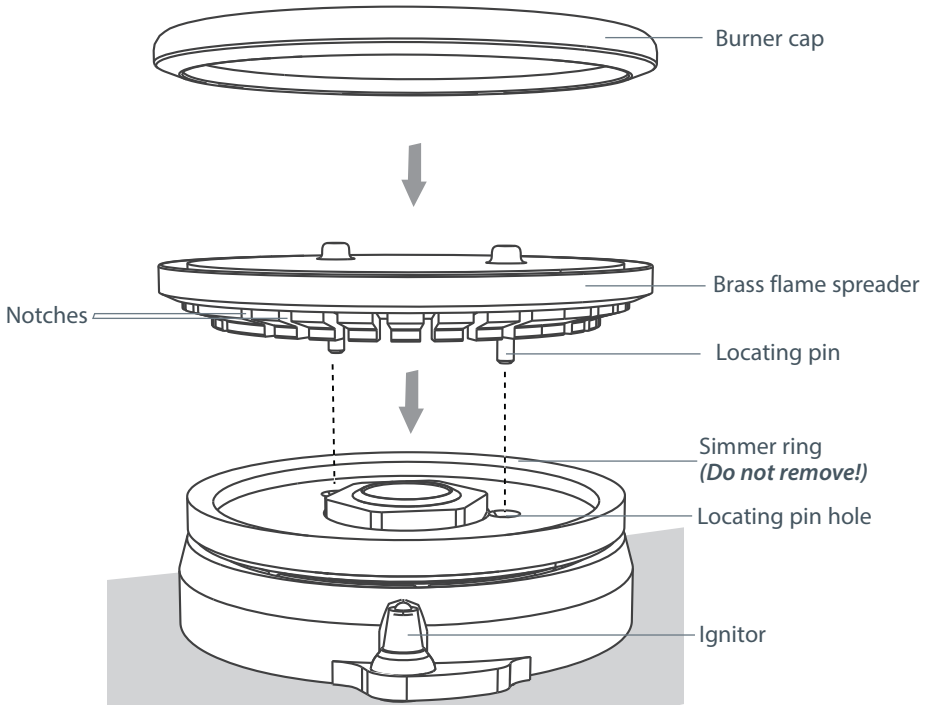


- 2 Ensure the prongs are fully inserted into the slots, then lower the side rack carefully and gently push the retaining wire underneath the lock stud.

## Replacing the burner parts

**Important!**

When replacing the burners, make sure that the two locating pins on the bottom of the brass flame spreader are properly aligned with the locating pin holes on the top of the simmer ring. Incorrect alignment will produce a potentially dangerous flame and poor burner performance.



## Replacing the oven light bulb

### **Important!**

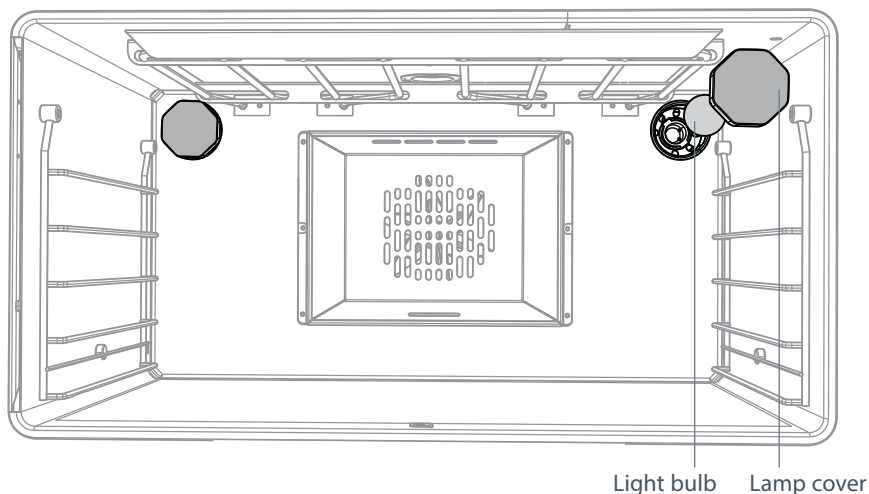
*Use a 40 W, 120 V appliance light bulb for replacement. Do not use a standard light bulb in any oven, the heat will break it.*

- 1 Allow the oven (including the lamp cover and the bulb) to cool completely.
- 2 Remove any shelves that may get in the way.
- 3 Remove the door if the lamp will be hard to reach.
- 4 Turn the power supply to the range off at the main fuse or circuit breaker panel. If you don't know how to do this, contact an electrician.

### **Important!**

*Failure to disconnect the range from the power supply may result in death or electrical shock.*

- 5 Remove the lamp cover: turn it counterclockwise to unscrew.
- 6 Remove the faulty bulb and replace with a new 40 W appliance light bulb.
- 7 Replace the lamp cover: turn it clockwise to tighten.
- 8 Turn the power supply to the range back on at the main fuse or circuit breaker panel.





## Using the CLEAN cycle

### About the CLEAN cycle

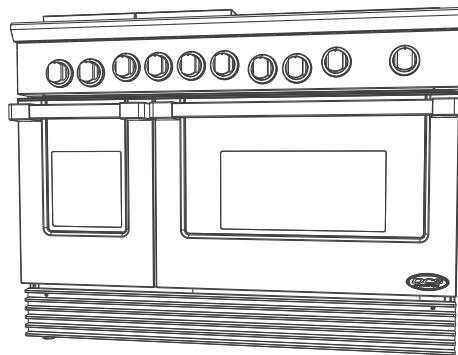
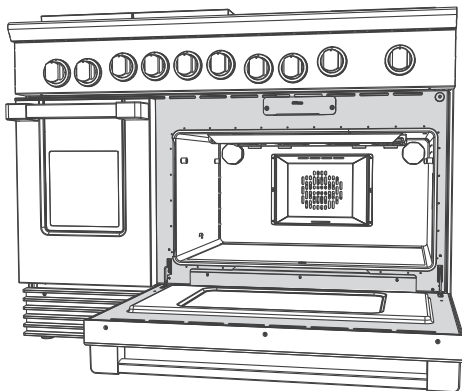
- Main ovens in RDU/RDV and RGUC/RGVC models feature a self-cleaning cycle (**CLEAN**) which takes care of the mess and grime that is traditionally associated with oven cleaning. During self-cleaning, the oven reaches very high temperatures. This burns off and breaks down food soils and grease deposits. All that remains is a clean oven cavity with a little gray ash which you can easily remove.
- A CLEAN cycle lasts about **5 hours, plus an additional cool-down time of up to 30 minutes (this may vary)**. During a CLEAN cycle, the oven door will be locked and only the cooktop burners may be used. The secondary oven, grill, and griddle cannot be used.
- A CLEAN cycle is designed to clean the oven interior and the portion of the door exposed to the oven interior. The outer edge of the door and the oven frame will need to be cleaned manually.
- During a CLEAN cycle you may see occasional, brief glowing in the oven as soiling is getting incinerated, especially if the oven was heavily soiled. This is normal. However, if there is excessive smoking or you see flames in the oven, cancel the cycle, wait for the oven to cool down completely, then wipe up the excessive food soil. See 'To cancel a CLEAN cycle' for instructions.

### **Important!**

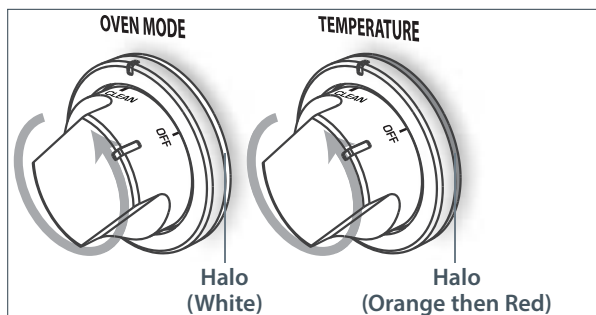
- *Do not use oven cleaners, any degreasing cleaners, or oven liners in a self-cleaning oven.*
- *If there are cracks or flaws in the oven door glass, if the oven gasket is damaged, stiff, or worn, or if the door does not close properly, do not start a CLEAN cycle. Call your Authorized Service Center or Customer Care.*
- *Make sure you remove the side racks, oven shelves, broiler pan, and all other bakeware and utensils from the oven before starting a CLEAN cycle. If left in the oven, they will become permanently discolored or damaged; items made from combustible materials (eg wood, fabric, plastic) may even catch fire.*
- *Do not use your oven to clean miscellaneous parts.*
- *Before starting a CLEAN cycle, wipe up any spills or grease deposits and remove any loose food soiling. Failure to do so may discolor the oven surfaces and cause excessive smoking during the cycle.*
- *Before starting a CLEAN cycle, make sure you move any pet birds to another, closed and well-ventilated room. Some pet birds are extremely sensitive to the fumes given off during self-cleaning, and may die if left in the same room as the oven during such a cycle.*
- *Make sure the room is well ventilated during the CLEAN cycle. Turn the ventilation hood above the range on maximum and leave it on for the duration of the cycle.*
- *During a CLEAN cycle, the oven reaches higher temperatures than it does for cooking. Under such conditions, the surfaces may get hotter than usual and children should be kept away.*

## Care and cleaning

### To start a CLEAN cycle



- 1 Remove oven shelves, side racks and all other accessories, bakeware, and utensils. See 'Removing and replacing the side racks' and 'Positioning the shelves' for instructions.
- 2 Wipe up any spills or grease deposits and remove any loose food soiling. Failure to do so may discolor the oven surfaces and cause excessive smoking during the cycle.
- 3 Check that the lamp covers are in place.
- 4 If there is soiling on the oven frame or the outer edge of the door interior (the shaded areas shown above), clean these using a soap-filled non-abrasive pad, then wipe with a clean damp cloth.
- 5 Close the oven door firmly.
- 6 Turn the ventilation hood above the range on maximum, and leave it on for the duration of the cycle.



- 7 Turn the oven mode knob counterclockwise to **CLEAN**.
  - Its halo will glow white and the oven door will lock.
  - For your safety, the door will remain locked during and even after the cycle, until the oven has cooled to a cooking temperature.
- 8 Turn the temperature knob counterclockwise to **CLEAN**.
  - Its halo will first glow orange, then red during the cycle. It will go out when the cycle has finished.

## When a CLEAN cycle has finished

The halo around the temperature knob will go out. You need to:

- 1 Turn the oven mode and temperature knobs clockwise to **OFF**.
- The door may remain locked. Once the oven has cooled to a cooking temperature (this may take up to 30 minutes), the door will automatically unlock.
- You may continue to hear the noise of the cooling fan: it is normal for the fan to stay on.

### **Important!**

*Do not turn the power supply to the range off at the circuit breaker panel. The cooling fan is needed to cool the oven. Disconnecting the range from the power supply while the oven is too hot may damage the oven and its surrounding cabinetry.*

- 2 Wait until the oven door automatically unlocks (up to 30 minutes).
- 3 After the door has unlocked, wait for the oven to cool down completely.

### **Important!**

*The oven will still be at cooking temperatures when the door unlocks. Take care.*

- 4 Remove any gray ash from the oven with a small brush or damp cloth.
- 5 Wipe out the oven with a clean, damp cloth and dry with a clean, lint-free cloth.
- 6 Replace the side racks and shelves. See sections 'Removing and replacing the side racks' and 'Positioning the shelves' for instructions.

## To cancel a CLEAN cycle

- 1 Turn the oven mode and temperature knobs clockwise to **OFF**.
- The door may remain locked. Once the oven has cooled to a cooking temperature (this may take up to 30 minutes, depending on the stage the cycle was in when canceled), the door will automatically unlock.
- You may continue to hear the noise of the cooling fan: it is normal for the fan to stay on.

### **Important!**

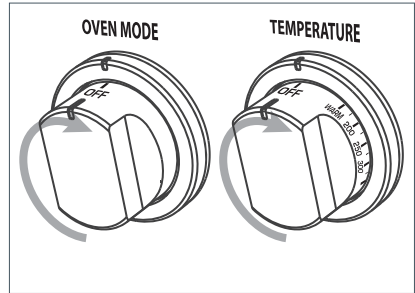
*Do not turn the power supply to the range off at the circuit breaker panel. The cooling fan is needed to cool the oven. Disconnecting the range from the power supply while the oven is too hot may damage the oven and its surrounding cabinetry.*

- 2 Wait until the oven door automatically unlocks (up to 30 minutes).
- 3 After the door has unlocked, wait for the oven to cool down completely.

### **Important!**

*The oven will still be at cooking temperatures when the door unlocks. Take care.*

- 4 If necessary, wipe up any food soiling inside the oven.
- We do not recommend cancelling a CLEAN cycle and then immediately starting one again.



## Troubleshooting

If you can't find an answer to your problem in the chart below, or if the problem cannot be fixed, you will need technical help. Contact your Authorized Service Center or Customer Care.

Problem	Possible causes	What to do
<b>Oven</b>		
<b>The oven doesn't work (no heating).</b>	No power supply (oven light and halos do not come on either).	Check that the circuit breaker hasn't tripped and there is no power outage in your area. If there is a power outage, you cannot use the oven until power has been restored.
	No gas supply (gas ovens).	The supply to the house may not be working or there may be an outage. Contact your local gas supplier.
<b>One of the oven lights does not come on, but the oven works.</b>	The light bulb is loose.	See instructions for 'Replacing the oven light bulb' in section 'Care and cleaning'. Instead of replacing the bulb, simply ensure that it is secure in its socket.
	The light bulb has blown.	Replace the bulb. See instructions for 'Replacing the oven light bulb' in section 'Care and cleaning.'
<b>There is a power failure – can I still use the oven?</b>	Power outage in your home or neighborhood.	The oven cannot be used until power is restored.

Problem	Possible causes	What to do
<b>Oven</b>		
<b>Condensation around oven (e.g. on control panel or top of oven door.)</b>	Food has high moisture content or local climate (temperature, humidity) is contributing to condensation.	Condensation is normal. You can wipe the drops off the control panel. If there is frequent or excessive condensation, make sure that cabinetry around the range is moisture-proofed.
<b>Steam coming from oven vents at the back of the range.</b>	Moisture from food evaporating during cooking.	This is normal, especially if you are cooking large quantities of food in the oven using a CONVECTION mode.
<b>Fan noise and warm ventilation air coming from the range during and after use or a CLEAN cycle.</b>	A cooling fan in the range runs to prevent the oven door and control panel from overheating.	This is normal and requires no action.
<b>Occasional, brief glowing inside the oven during a CLEAN cycle.</b>	Heavy soiling is getting incinerated.	This is normal and requires no action.
<b>Excessive smoking and/or flames inside the oven during a CLEAN cycle.</b>	Combustible material (e.g. wooden board or utensil) or excessive food soils left in the oven.	Follow the instructions under 'To cancel a CLEAN cycle' in section 'Care and cleaning'. <b>Important!</b> <i>Do not disconnect the range from the power supply at the circuit breaker. The cooling fan is needed to cool the range.</i>

Problem	Possible causes	What to do
<b>Oven</b>		
<b>The oven door won't open.</b>	The door is locked because a CLEAN cycle is underway or the oven has not yet cooled to a cooking temperature after a CLEAN cycle.	See section 'Using the CLEAN cycle' in 'Care and cleaning' for information.
<b>The halo around the oven temperature knob alternates between orange and red during use.</b>	The oven needs to heat periodically (orange) to maintain the set temperature during use.	This is normal.
<b>The convection fan does not come on in a CONVECTION mode.</b>	Technical fault.	Contact your Authorized Service Center or Customer Care.
<b>Uneven baking.</b>	Oven not properly preheated.	Wait until the halo around the temperature knob has changed from orange to red before putting food in.
	Unsuitable or incorrectly arranged bakeware.	See 'Oven cooking guidelines' for advice.
<b>Cooktop burners</b>		
<b>None of the burners, grill, or griddle will light.</b>	No power supply.	Check that there is no power outage in your area and that the power supply to the range is switched on at the circuit breaker panel.
	No gas.	Check that the gas supply to the house is working. You should hear the gas when you turn a burner on. If you are using bottled gas, check that it is not empty.

Problem	Possible causes	What to do
<b>Cooktop burners</b>		
<b>Some burners will not light.</b>	Burner parts or ignitors may be wet, dirty, or misaligned.	Check that the burner parts are clean, dry, and correctly assembled. Check that the ignitors are clean and dry. See 'Care and cleaning' for instructions.
<b>Flames do not burn all around the burner cap.</b>		
<b>There is no clicking when I try to light a burner.</b>	The ignitor is dirty or there is a power outage.	Clean the ignitor(s). See 'Care and cleaning' for instructions.
<b>There is a power failure – can I still use the cooktop burners?</b>	Power outage in your area.	<p>The cooktop burners can still be used. To light them:</p> <ol style="list-style-type: none"> <li>1 Holding a lighted match to the flame spreader, push in on the control knob and turn counterclockwise to <b>LITE</b>.</li> <li>2 When the flame is burning all the way around the burner, you may adjust the heat.</li> </ol> <p><b>Important!</b> <i>If the flame is blown out during a power failure, turn the knob immediately to OFF, as the burner will not automatically relight and gas may escape.</i></p>
<b>The flames have suddenly gone out.</b>	A draft or a spill has extinguished the flame.	No action required. The burner will detect this and automatically relight. However, if there has been a large spill, we recommend turning the burners off and cleaning the burners and sump area. See 'Care and cleaning' for instructions.
<b>There is a slight 'extinction pop' or flash after I've turned a cooktop burner off.</b>		This is normal for LP gas and requires no action.

Problem	Possible causes	What to do
<b>Cooktop burners</b>		
<b>The burner flames are uneven, very large, yellow or yellow-tipped or sooty.</b>	Technical fault: the gas is the wrong type or hasn't been adjusted properly.	Do not use your cooktop burners. Contact your Authorized Service Center or Customer Care.
<b>The ignitor keeps clicking (continuous spark) even when a burner has lit.</b>	Dirty or wet ignitor(s).	Clean the ignitor(s). See 'Care and cleaning' for instructions.
<b>Griddle</b>		
<b>The surface is discolored in patches.</b>	Oils cook onto the surface with repeated use.	This is normal and doesn't affect cooking performance.
<b>There is a power failure – can I still use the griddle?</b>	Power outage in your home or neighborhood.	The griddle cannot be used until power is restored.
<b>Grill</b>		
<b>Flare-ups during grilling.</b>	Fatty cuts of meat.	Minor flare-ups are normal. To minimize them, trim excess fat off meat before grilling.
	Grill grate is not positioned correctly; grease runs down into the radiant tray rather than the grease drip-pan.	Turn the grill off, wait for it to cool, then position it correctly. See 'Using the grill' for instructions and illustrations.
<b>There is a power failure – can I still use the grill?</b>	Power outage in your home or neighborhood.	The grill cannot be used until power is restored.



## Before you call for service or assistance ...

Check the things you can do yourself. Refer to the installation instructions and your user guide and check that:

- 1 your product is correctly installed
- 2 you are familiar with its normal operation.

If after checking these points you still need assistance or parts, please refer to the Service & Warranty booklet for warranty details and your nearest Authorized Service Center, Customer Care, or contact us through our website [www.dcsappliances.com](http://www.dcsappliances.com).

## Contact details

For replacement parts or if further help is needed concerning this appliance call:

**Toll Free 1 888 936 7872**

or write to:

**Fisher & Paykel Appliances Inc.**  
5900 Skylab Road  
Huntington Beach, CA 92647  
USA

or contact us through our website, [www.dcsappliances.com](http://www.dcsappliances.com)

## Product details

Model No. \_\_\_\_\_ Serial No. \_\_\_\_\_

Date of Purchase \_\_\_\_\_ Purchaser \_\_\_\_\_

Dealer \_\_\_\_\_ Suburb \_\_\_\_\_

Town \_\_\_\_\_ Country \_\_\_\_\_



## MISE EN GARDE!

Si les informations contenues dans ce manuel ne sont pas respectées à la lettre, un incendie ou une explosion pourrait entraîner des dommages matériels, des blessures ou la mort.

N'utilisez et n'entreposez pas d'essence ou autres vapeurs et liquides inflammables à proximité de cet électroménager ou de tout autre appareil du même type.

N'utilisez JAMAIS cet appareil comme appareil de chauffage. Ce faisant, vous pourriez causer une surchauffe de l'appareil ou une intoxication au monoxyde de carbone.

### QUE FAIRE SI VOUS DÉCELEZ UNE ODEUR DE GAZ

- N'essayez pas d'allumer aucun appareil.
- Ne touchez à aucun interrupteur électrique.
- N'utilisez pas le téléphone de votre immeuble.
- Appelez immédiatement votre fournisseur de gaz depuis le téléphone d'un voisin. Suivez les instructions du fournisseur de gaz.
- Si vous ne pouvez pas joindre votre fournisseur de gaz, appelez les pompiers.

L'installation et l'entretien doivent être effectués par un installateur qualifié, une agence de service ou le fournisseur de gaz.

Consignes de sécurité et mises en garde	50
Introduction	54
<i>Première utilisation</i>	
Conditionnement du four	58
Assaisonnement de la plaque	58
<i>Utilisation du four</i>	
Positionnement des grilles	59
Modes d'utilisation du four	62
Utiliser votre four pour cuire et rôtir	64
Utiliser votre four pour griller	65
Utiliser de votre four pour la fermentation de la pâte	66
Directives de cuisson au four	68
Tableaux de cuisson	70
<i>Utiliser la table de cuisson</i>	
Utilisation des brûleurs	72
Directives d'utilisation des brûleurs	73
Utilisation du gril de cuisson	74
Utilisation de la plaque de cuisson	75
<i>Entretien et nettoyage</i>	
Tableau de nettoyage manuel	76
Retrait et remplacement de la porte du four	82
Retrait et remplacement des rayons latéraux	84
Remplacement des pièces du brûleur	85
Remplacement de l'ampoule du four	86
Utilisation du cycle de nettoyage	87
Dépiantage des panes	90
Garantie et réparation	95

## ***Important!***

### **CONSERVEZ CES INSTRUCTIONS**

Les modèles illustrés dans ce document peuvent ne pas être offerts par tous les détaillants et sont sujets à modifications sans préavis. Pour les plus récentes informations sur la disponibilité des modèles et les spécifications en cours dans votre pays, veuillez visiter notre site Web local à l'adresse indiquée sur la couverture arrière ou contactez votre détaillant Fisher & Paykel local.

## CONSIGNES DE SÉCURITÉ IMPORTANTES

Pour réduire les risques d'incendie, de décharge électrique, de blessures corporelles ou de dommages lors de l'utilisation de cet appareil, conformez-vous aux consignes de sécurité importantes énumérées ci-dessous :

### ⚠ MISE EN GARDE!



#### Risque de décharge électrique

Avant de retirer une ampoule de four défectueuse, prenez soin d'éteindre l'appareil au niveau du fusible principal ou du disjoncteur. Si vous ne savez pas comment faire, contactez un électricien. N'enlevez pas la grille de la plinthe de protection. En raison de l'accès aux pièces électriques sous tension derrière elle, la grille de la plinthe de protection ne doit être enlevée que par un technicien qualifié. Cet appareil est équipé d'une mise à la terre trois broches ou quatre broches pour vous protéger contre les risques de décharge et doit être branché directement dans une prise de courant mise à la terre. En aucune circonstance ne devez-vous couper ou enlever la broche de mise à la terre de cette fiche. Négliger de suivre cet avis pourrait provoquer une décharge électrique, voire la mort.

### ⚠ MISE EN GARDE!



#### Risque de basculement

Un enfant ou un adulte peut faire basculer cette cuisinière et être tué. Il doit être fixé par une bride antibasculement correctement installé. Voir les instructions d'installation pour plus de détails. S'assurer que le dispositif antibascule est réengagé lorsque la plage est déplacée. Vérifier les fiançailles suivant les étapes décrites ci-dessus. N'utilisez pas l'appareil jusqu'à ce qu'il a été obtenu.

Ne pas le faire peut entraîner la mort ou de graves brûlures pour les enfants ou les adultes.

### ⚠ MISE EN GARDE!



#### Risque d'incendie

N'utilisez jamais votre appareil pour chauffer une pièce. Quelqu'un pourrait être blessé ou un incendie pourrait se déclarer.

Gardez la zone autour de l'appareil libre de toute matière combustible (par exemple revêtements muraux, rideaux, tentures), essence et autres vapeurs et liquides inflammables.

Ne laissez pas la graisse de cuisson ou d'autres matières inflammables s'accumuler dans l'appareil ou dans sa proximité.

Ne suspendez jamais un quelconque article (par exemple, linges à vaisselle) sur la poignée du four. Certains tissus peuvent s'enflammer ou fondre à la chaleur.

Ne laissez jamais les brûleurs sans surveillance lorsqu'ils sont en service - les débordements produisent de la fumée et des déversements de matières grasses qui peuvent s'enflammer.

Assurez-vous que tous les contrôles sont hors tension et que l'appareil est froid avant d'utiliser tout type de produit nettoyant en aérosol sur ou autour de l'appareil. Les produits chimiques contenus dans les produits nettoyants pourraient, en présence de chaleur, s'enflammer ou provoquer la corrosion des parties métalliques.

Négliger de suivre cet avis peut entraîner la mort ou des blessures graves.

# CONSIGNES DE SÉCURITÉ IMPORTANTES

## ⚠ MISE EN GARDE!



### Risque d'explosion

Si vous sentez une odeur de gaz, n'utilisez pas l'appareil. Ouvrez une fenêtre ou une porte pour laisser échapper le gaz, puis suivez les instructions indiquées à la page avant la 'Table des matières'.

N'utilisez pas d'eau sur les incendies de graisse. Une violente explosion de vapeur pourrait en résulter. Éteignez tous les brûleurs, puis étouffez le feu ou les flammes ou employez des produits chimiques secs ou un extincteur de type à mousse.

Ne faites pas chauffer des contenants à aliments non ouverts tels que des boîtes de conserve — l'accumulation de pression pourrait faire exploser le contenant et causer des blessures. Négliger de suivre cet avis pourrait entraîner des blessures ou la mort.

## ⚠ MISE EN GARDE!



### Risque d'empoisonnement

Ne recouvrez jamais les fentes, trous ou passages de la partie inférieure du four et ne recouvrez jamais la grille en entier ou le plancher du four de matériau comme le papier d'aluminium. Ce faisant, vous pourriez bloquer le débit d'air dans le four et provoquer un empoisonnement au monoxyde de carbone. Une doublure en papier d'aluminium peut aussi piéger la chaleur, provoquant ainsi un incendie.

Nettoyez l'appareil avec précaution. Si vous utilisez une éponge ou un chiffon humide pour essuyer les renversements sur une surface de cuisson chaude, faites preuve de vigilance pour éviter tout risque de brûlure par la vapeur. Certains produits nettoyants peuvent produire des vapeurs nocives lorsqu'ils sont appliqués sur une surface brûlante. Suivez les directives de nettoyage du fabricant du produit. N'utilisez jamais cet appareil comme un appareil de chauffage pour chauffer ou réchauffer la pièce. Cela pourrait provoquer une intoxication au monoxyde de carbone et une surchauffe de l'appareil.

Négliger de suivre cet avis peut entraîner une intoxication ou la mort.

## ⚠ MISE EN GARDE!



### Risque de surface brûlante

Les pièces accessibles peuvent devenir brûlantes pendant l'utilisation.

Ne touchez pas les brûleurs, les zones à proximité des brûleurs, la grille, la plaque de cuisson, les ramasse-gouttes, les éléments chauffants ou les surfaces intérieures du four — tous ces éléments peuvent être suffisamment chauds pour causer des brûlures, même s'ils sont de foncés. Pendant et après l'utilisation, ne laissez pas les vêtements ou autres matières inflammables entrer en contact avec les éléments de surface ou les zones à proximité, et ne les touchez pas avant qu'ils soient refroidis. Les autres pièces et surfaces de l'appareil peuvent devenir assez chaudes pour causer des brûlures — parmi elles, on retrouve les grilles, la garniture arrière et les événements de four à l'arrière de la table de cuisson, le bord avant, les surfaces adjacentes à la table de cuisson, et la porte du four.

N'utilisez que des poignées sèches — des poignées mouillées ou humides sur des surfaces chaudes pourraient provoquer des brûlures de vapeur. Attention que les poignées ne touchent pas les éléments chauffants brûlants. N'utilisez pas de serviette ou chiffon encombrant. Laissez refroidir la graisse chaude avant de tenter de le manipuler. Les fours dotés d'un cycle de nettoyage : durant l'auto-nettoyage, le four atteint des températures plus élevées que lorsqu'il est utilisé pour faire la cuisine. Dans de telles conditions, les surfaces peuvent devenir encore plus chaudes que d'habitude. Gardez les enfants à l'écart. Ne pas vous conformer à cette consigne pourrait provoquer des brûlures et échaudages.

## CONSIGNES DE SÉCURITÉ IMPORTANTES

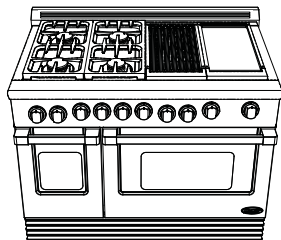
- *Lisez toutes les instructions avant d'utiliser l'appareil. Utilisez l'appareil uniquement pour l'usage auquel il est conçu, tel que le décrivent ces instructions.*
- *Installation appropriée — veillez à ce que votre appareil soit correctement installé et mis à la terre par un technicien qualifié.*
- *Ne l'utilisez pas s'il est endommagé ou s'il ne fonctionne pas correctement. Si vous avez reçu un produit endommagé, contactez votre revendeur ou votre installateur immédiatement.*
- *Assurez-vous que l'installateur vous démontre où et comment désactiver l'alimentation à la cuisinière (c.-à-d. l'emplacement du fusible principal ou du disjoncteur) et où et comment désactiver l'approvisionnement en gaz de la cuisinière en cas d'urgence.*
- *Ne laissez jamais les enfants sans surveillance — ne laissez pas les enfants seuls ou sans surveillance à proximité de l'endroit où l'appareil est utilisé. Ils ne devraient jamais être autorisés à jouer avec l'appareil ou à s'asseoir dessus ou à se tenir sur une partie quelconque de l'appareil.*
- *Attention — pour des raisons de sécurité, ne rangez pas d'articles d'intérêt pour les enfants dans des armoires au-dessus ou à l'arrière d'une cuisinière — les enfants qui grimperaient sur la cuisinière pour atteindre de tels objets pourraient être gravement blessés.*
- *Portez des vêtements appropriés — ne portez pas de vêtements amples ou pendants lorsque vous utilisez cet appareil.*
- *Entretien par l'utilisateur — ne réparez et ne remplacez aucune pièce de cet appareil, sauf si cela est spécifiquement recommandé dans le présent document. Tous les autres travaux doivent être confiés à un technicien qualifié. Les techniciens doivent débrancher l'appareil de l'alimentation électrique avant toute intervention.*
- *Rangement dans l'appareil et sur celui-ci — ne rangez aucune matière inflammable dans un four ou à proximité des éléments de surface.*
- *Soyez prudent lors de l'ouverture de la porte du four — laissez l'air chaud ou la vapeur s'échapper avant d'en sortir ou d'y replacer des aliments.*
- *Veillez à ce que les conduits de ventilation ne soient jamais obstrués.*
- *Garder les paillasons et largement à l'écart de la base de la cuisinière.*
- *Mise en place des grilles du four — positionner toujours les grilles à l'endroit désiré pendant que le four est froid (avant le préchauffage). Si une grille devait être retirée alors que le four est chaud, ne laissez pas les poignées ou les mitaines de four entrer en contact avec la base du four chaud ou les éléments de chauffage du four.*
- *Attention de ne pas nettoyer et de n'utiliser aucun produit de nettoyage sur le joint d'étanchéité du four. Il est indispensable à une bonne étanchéité, ce qui garantit que le four fonctionne efficacement. Il ne faut pas le frotter, l'endommager ou le déplacer.*
- *N'utilisez pas de nettoyeurs à four, de produits abrasifs ou durs, de cires ou de poliss dans un four auto-nettoyant. Aucun nettoyeur pour four commercial, doublure de four, ou revêtement de protection de quelque nature que ce soit ne doit être utilisé dans ou autour de n'importe quelle partie d'un four autonettoyant.*
- *N'utilisez pas de savon ou de nettoyeurs abrasifs, tampons à récureur ou racloirs métalliques tranchants pour nettoyer la vitre de la porte du four, car ces articles érafleraient la surface, ce qui pourrait faire éclater la vitre.*
- *Ne vous assoyez pas et ne vous tenez jamais debout sur la porte du four et ne placez jamais un objet lourd dessus — cela pourrait entraîner des blessures.*
- *Soyez prudent lorsque vous désirez atteindre des objets entreposés dans des armoires au-dessus de l'appareil.*

# CONSIGNES DE SÉCURITÉ IMPORTANTES

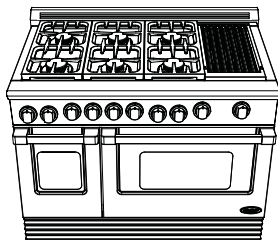
- *Manipulation sécuritaire des aliments : ne laissez la nourriture dans le four que pendant une durée aussi courte que possible avant et après la cuisson. Ainsi, vous éviterez la contamination par des organismes qui peuvent causer des intoxications alimentaires. Soyez particulièrement vigilant par temps chaud.*
- *Ne nettoyez que les pièces répertoriées dans ce manuel.*
- *N'utilisez pas un nettoyeur à vapeur pour nettoyer une quelconque partie de l'appareil.*
- *N'obstruez pas le flux d'air de combustion et la ventilation de l'appareil.*
- *Avant l'auto-nettoyage du four — retirez les grilles du four, les grilles latérales, la lèchefrite et tous les autres ustensiles de cuisine et essuyez tout important déversement d'aliment ou dépôts de graisse.*
- *Avant l'auto-nettoyage du four : assurez-vous de déplacer vos oiseaux de compagnie dans une autre pièce fermée et bien aérée. Certains oiseaux de compagnie sont extrêmement sensibles à la fumée dégagée lors d'un cycle d'auto-nettoyage, et risquent de mourir s'ils restent dans la même pièce que la cuisinière durant un tel cycle.*
- *N'utilisez pas d'ustensile de cuisson sur le gril ou la plaque de cuisson.*
- *Le couvercle supérieur doit être retiré lorsque le gril ou plaque de cuisson est en marche.*
- *Lorsque vous utilisez le gril ou plaque de cuisson, assurez-vous que le ramasse-gouttes est en place — son absence durant l'utilisation pourrait endommager le câblage ou les composantes.*
- *Le(s) four(s), grilles et plaque de cuisson de votre cuisinière ne peuvent pas être utilisés en cas de panne de courant. N'essayez pas de les faire fonctionner en cas de panne de courant.*
- *N'utilisez jamais de papier d'aluminium pour recouvrir une quelconque partie du four ou de la table de cuisson. La chaleur risquerait d'y rester prise au piège. Cette chaleur emprisonnée pourrait affecter la performance de cuisson et endommager la finition du four ou des parties de la table de cuisson.*
- *Ne placez pas de vaisselle, de plateaux, d'eau ou de glace directement sur le plancher du four pendant la cuisson, car cela sera endommagerait de façon irréversible le fini en émail de porcelaine.*
- *Pour des raisons de sécurité, la taille de la flamme du brûleur de cuisson doit être ajustée de sorte qu'elle ne dépasse pas le bord de la casserole.*
- *Utilisez des casseroles de format et de fabrication appropriés au type de cuisson. Cet appareil est équipé de brûleurs de différentes tailles. Les casseroles doivent être adaptées à la taille du brûleur. Choisissez des casseroles à fond plat, assez grandes pour couvrir les flammes du brûleur. L'utilisation d'ustensiles de cuisson de trop petite taille expose une portion des flammes du brûleur à un contact direct, qui risque alors d'enflammer vos vêtements. De plus, l'utilisation d'ustensiles adaptés à l'élément chauffant améliore le rendement de l'appareil.*
- *Doubleurs de protection — n'utilisez pas d'aluminium pour doubler le fond d'un ramasse-gouttes ou du four.*
- *Casseroles émaillées — seuls certains types de casseroles en verre, verre/céramique, terre cuite ou autres matériaux émaillés peuvent être utilisés pour la cuisson sans risquer d'être endommagés par les changements de température soudains.*
- *Tournez les poignées des ustensiles vers l'intérieur, en veillant à ce qu'elles ne soient pas placées au-dessus des éléments de surface adjacents — Pour réduire les risques de brûlure, d'inflammation des matériaux inflammables et de déversement résultant d'un contact accidentel avec les ustensiles, tournez leur poignée vers l'intérieur, en veillant à ce qu'elle ne soit pas placée au-dessus des éléments de surface adjacents.*
- *Le gouverneur de la Californie est tenu de publier une liste de substances connues de l'État de Californie comme pouvant causer le cancer ou des malformations congénitales et oblige les entreprises à mettre en garde les clients potentiels de l'exposition à de telles substances.*

**AVERTISSEMENT:** Ce produit émet des gaz d'échappement contenant des produits chimiques connus de l'état de Californie comme pouvant causer le cancer, des malformations congénitales et d'autres dangers pour la reproduction. Pour réduire les risques que présentent ces produits chimiques, assurez-vous cet appareil est installé, exploité et entretenu conformément aux instructions du fabricant.

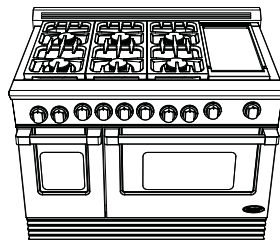
### Modèles 48 pouces



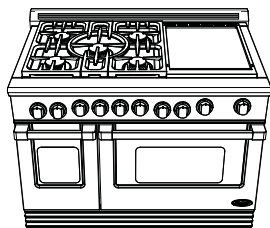
RGU-484GG  
RDU/RDV-484GG



RGU/RGV-486GL  
RDU/RDV-486GL

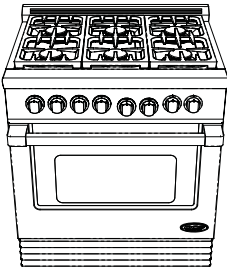


RGU/RGV-486GD  
RDU/RDV-486GD

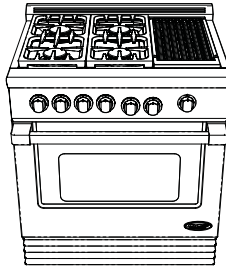


RGU/RGV-485GD  
RDU/RDV-485GD

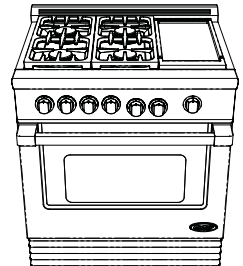


**Modèles 36 pouces**

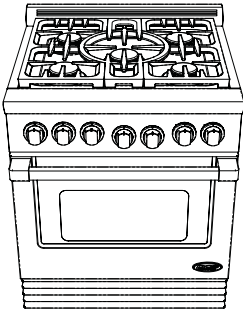
RGU/RGV-366  
RDU/RDV-366



RGU/RGV-364GL  
RDU/RDV-364GL



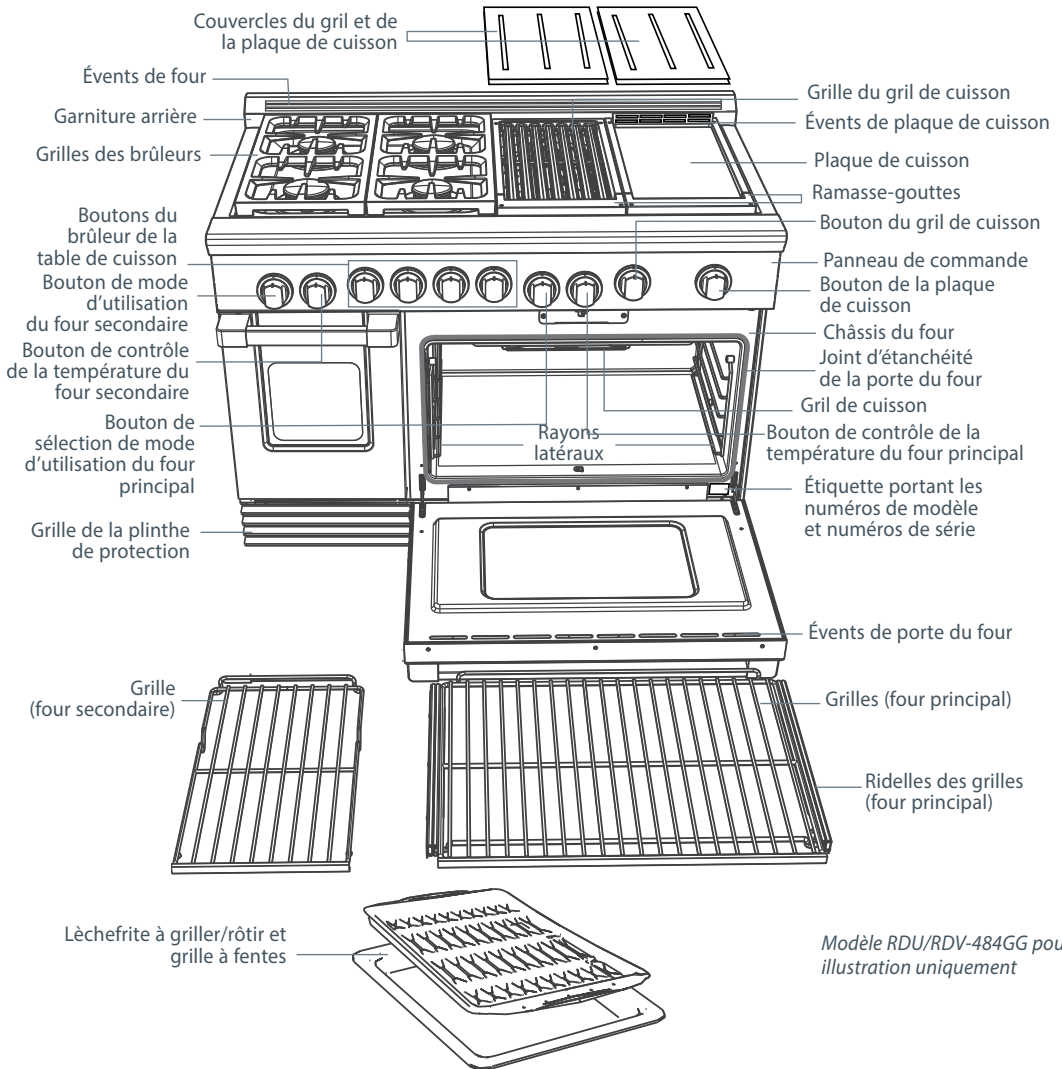
RGU/RGV-364GD  
RDU/RDV-364GD

**Modèles 30 pouces**

RGU/RGV-305  
RDU/RDV-305  
RGUC/RGVC-305

## Avant de commencer

- 1 Assurez-vous que le support anti-basculement du côté arrière droit de la cuisinière a été correctement installé.
- 2 Ouvrez la porte du four principal et trouvez les numéros de modèle et de série sur l'étiquette qui apparaît dans le coin droit de la partie inférieure du châssis du four (consultez le dessin du côté opposé).  
Veuillez noter ces numéros pour référence ultérieure dans l'espace prévu à la section « Garantie et réparation ».
- 3 Lisez ce guide en portant une attention particulière à la section « Consignes de sécurité et mises en garde ».
- 4 Retirez tous les emballages du four et de la table de cuisson. Recyclez les articles qui s'y prêtent. Si les surfaces présentent des traces de résidu d'adhésif, nettoyez-les avec du liquide à vaisselle et un chiffon doux. N'utilisez pas de nettoyeurs puissants ou abrasifs.  
Remarque : pour les modèles RGUC/RGVC, vérifiez que l'élément en carton qui protège le brûleur a été retiré.
- 5 Prenez connaissance des instructions détaillées sous la rubrique « Première utilisation » avant d'utiliser votre cuisinière.



## Important!

*N'obstruez pas les événements du four, la plaque de cuisson et la porte du four avec des casseroles, des ustensiles ou des serviettes. Pendant le nettoyage, prenez soin de ne pas laisser de liquide couler ces événements.*

## Conditionnement du four

Le conditionnement brûlera les éventuels résidus de fabrication et vous assure que vous obtenez les meilleurs résultats dès le début.

- 1 Insérez toutes les grilles. Consultez la section « Positionnement des grilles » pour les instructions.
- 2 Mettez en marche la hotte de ventilation du dessus de votre cuisinière à ventilation élevée.
- 3 Préchauffez le four vide à 450 F ° pendant :
  - 30 minutes utilisant le mode **BAKE**
  - 30 minutes utilisant le mode **BROIL** (seulement certains fours).Consultez les sections « Utiliser votre four pour cuire et rôtir » et « Utiliser votre four pour griller » pour des instructions.
- Il y aura une odeur caractéristique pendant la durée du conditionnement du four. Ceci est normal, mais assurez-vous de la cuisine soit bien ventilée lors du conditionnement.
- 4 Une fois refroidi, essuyez le four avec un chiffon humide et un détergent doux, et séchez soigneusement.

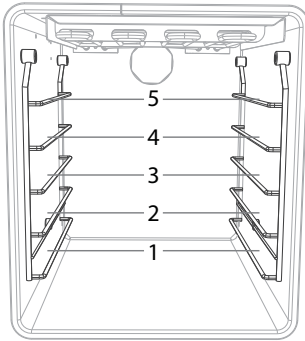
## Assaisonnement de la plaque de cuisson

- 1 Nettoyez la plaque de cuisson à fond avec de l'eau chaude savonneuse pour enlever tout revêtement de protection.
- 2 Rincez avec un mélange de 1 tasse d'eau et ¼ tasse de vinaigre blanc, puis séchez soigneusement.
- 3 Versez 1 c. à thé d'huile végétale (mais pas d'huile de maïs) dans le centre de la plaque, puis frottez sur toute sa surface, utilisez un chiffon doux et lourd.
- 4 Tournez le bouton de la plaque de cuisson à 350 ° F dans le sens antihoraire.
- 5 Lorsque l'huile commence à fumer, tournez le bouton vers la droite en position **OFF** et laissez la plaque refroidir.
- 6 Répétez les étapes 3 à 5.
- 7 Essuyez toute la surface de la plaque avec un chiffon doux et lourd.
- 8 Appliquez une très mince couche d'huile végétale (mais pas d'huile de maïs).
- 9 Inspectez le ramasse-gouttes et nettoyez-le au besoin. Jetez tout liquide ou saleté qui aurait pu s'accumuler dans le ramasse-gouttes au cours du conditionnement.
  - La plaque de cuisson est maintenant prête à utiliser.
  - Pour de meilleurs résultats, assaisonnez de nouveau la plaque lorsqu'elle n'a pas été utilisée pendant une longue période.
  - Remarque : la couleur de la plaque s'assombrira avec l'usage. C'est normal.

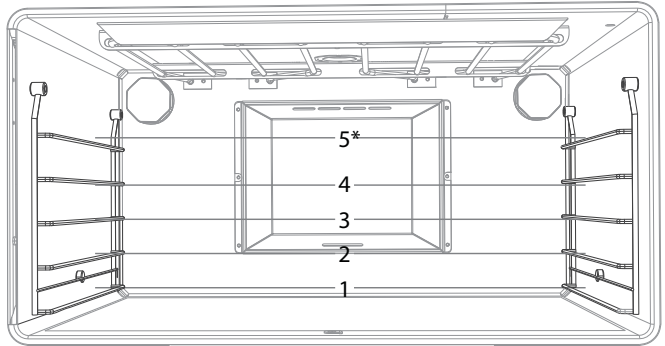
## Positionnement des grilles

- Les positions des grilles sont numérotées à partir du bas.
- Placez les grilles, dont vous aurez besoin **avant de mettre** le four en marche.
- Pour obtenir des conseils sur la position de grille à utiliser, consultez les sections « Modes d'utilisation du four », « Directives de cuisson au four », et « Tableaux de cuisson ».

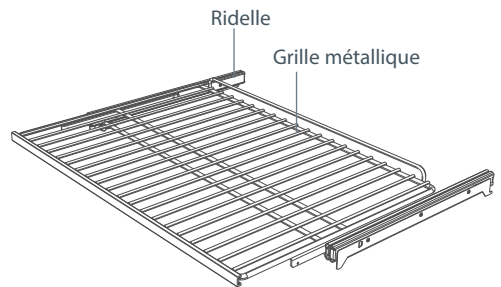
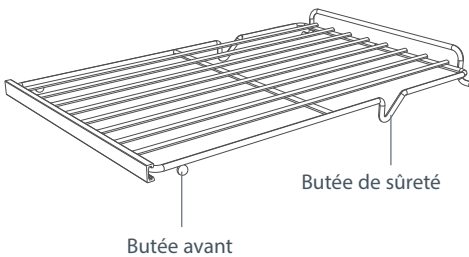
**FOUR SECONDAIRE**  
(modèles 48 pouces uniquement)



**FOUR PRINCIPAL**



\* Non disponible dans les modèles RGUC/RGVC



### Grilles du four secondaire

- Ces grilles possèdent des butées de sûreté qui les empêcheront de glisser hors du four si elles sont tirées vers l'avant.
- Les butées avant empêchent les grilles de frapper contre le fond du four.

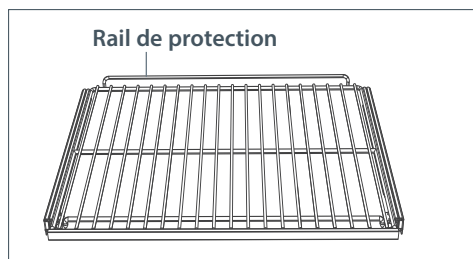
### Grilles du four principal

- Les grilles métalliques et les ridelles sont construites d'un bloc comme une seule unité.
- Lorsqu'elles sont correctement positionnées, les ridelles empêcheront les grilles de basculer lorsqu'elles sont tirées vers l'avant.
- Attention : ces grilles sont lourdes.

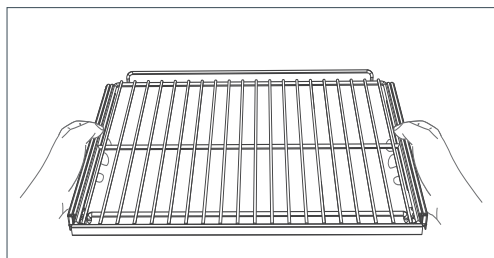
### **Important!**

*Si vous possédez les modèles RDU/RDV ou RGUC/RGVC, ne laissez jamais ces grilles dans le four durant un cycle de nettoyage. Ce faisant, elles ne glisseraient plus aussi facilement.*

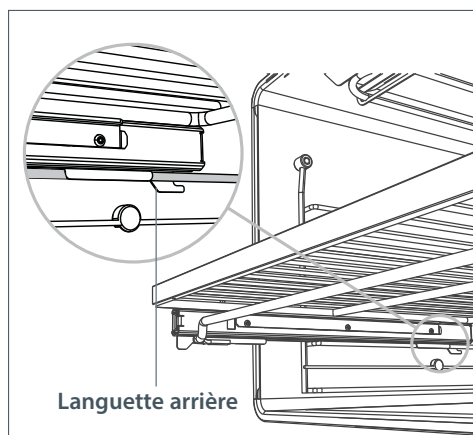
## Pour insérer les grilles — FOUR PRINCIPAL



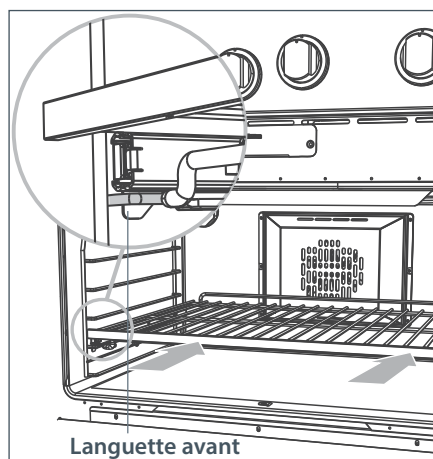
- 1 Assurez-vous que le rail de protection est à l'arrière, tourné vers le haut, et que les ridelles ne sont pas étendues.



- 2 Maintenez la grille à deux mains, en vous assurant de saisir aussi la grille métallique pour l'empêcher de glisser vers l'avant.



- 3 Accrochez les languettes arrière sur les câbles métalliques à la position de grille souhaitée sur les deux rayons latéraux.

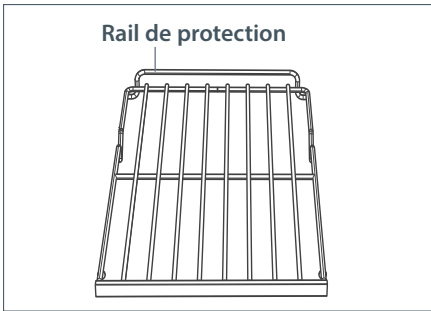


- 4 Poussez la grille vers le fond du four, en veillant à ce que les languettes avant et arrière soient solidement fixées derrière les câbles des rayons latéraux.

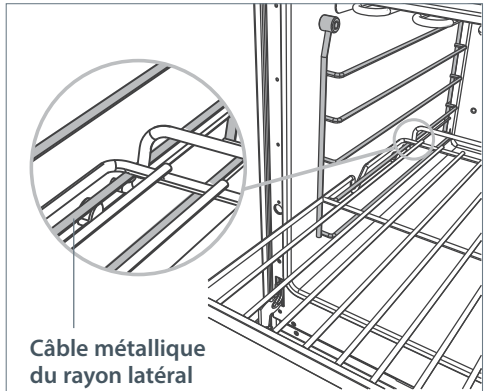
**Pour retirer les grilles**

- 1 Attendez que le four soit complètement refroidi.
- 2 Maintenez la grille à deux mains, en vous assurant de saisir aussi la grille métallique pour l'empêcher de glisser vers l'avant.
- 3 Tirez la grille vers l'avant sur les  $\frac{3}{4}$  de son trajet.
- 4 Soulevez légèrement l'arrière de la grille afin que les languettes dégagent les câbles métalliques des rayons latéraux, puis retirez.

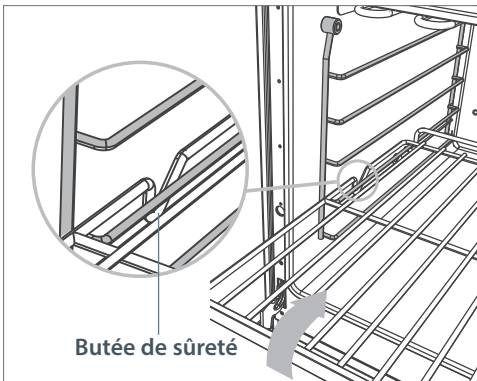
## Pour insérer les grilles — FOUR SECONDAIRE (modèles 48 pouces uniquement)



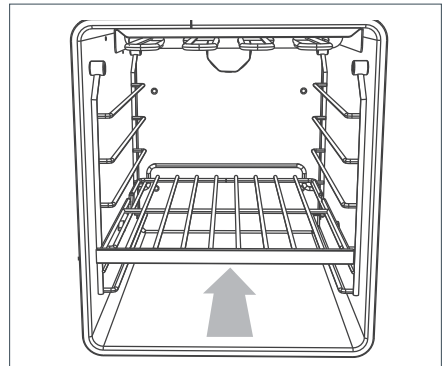
- 1 Assurez-vous que le rail de protection est à l'arrière, tourné vers le haut.



- 2 Positionnez la grille : elle doit reposer sur les câbles métalliques des rayons latéraux, comme montré.



- 3 Inclinez légèrement l'avant pour aider les butées de sûreté à dégager les câbles métalliques des rayons latéraux.



- 4 Abaissez la grille retour sur les câbles métalliques des rayons latéraux et glissez jusqu'au fond du four.

**Pour retirer les grilles**

- 1 Attendez que le four soit complètement refroidi.
- 2 Tirez la grille vers l'avant sur les  $\frac{3}{4}$  de son trajet.
- 3 Inclinez légèrement l'avant pour aider les butées de sûreté à dégager les câbles métalliques des rayons latéraux.
- 4 Retirer la grille.

## Modes d'utilisation du four

**Important!**

- Dans tous les modes de four, un ventilateur de refroidissement peut se mettre en marche de façon à éviter que des pièces de garniture arrière. Il est normal que le ventilateur reste en marche une fois le four éteint.
- Selon votre modèle, votre four peut avoir seulement quelques ou tous les modes d'utilisation ci-dessous.

ACTIVITÉ	MODE D'UTILISATION DU FOUR	DESCRIPTION
<ul style="list-style-type: none"> <li>■ CUIRE</li> <li>■ RÔTIR</li> <li>■ RÉCHAUFFER</li> <li>■ DÉCONGÉLATION</li> </ul>	<p><b>BAKE</b></p> <p>(Cuisson)</p>	Il s'agit d'un mode traditionnel visant à cuire, rôtir et réchauffer les aliments, idéal pour les recettes développées dans les anciens fours. Idéal pour vos rôtis favoris et pâtisseries cuites au four qui n'ont besoin ni de chaleur directe ni de brunissement sur le dessus.
	<p><b>BAKE CONVECTION</b></p> <p>(Cuisson par convection)</p>	Similaire à la <b>BAKE</b> , mais avec un ventilateur de convection à l'arrière du four, ce qui permet de répartir la chaleur de façon uniforme, avec pour résultat un brunissement plus rapide et des temps de cuisson moins longs. Lorsque vous faites la conversion de recettes traditionnelles pour la cuisson par convection, n'oubliez pas de réduire les temps de cuisson ou la température indiqués. Pour certaines recettes, vous obtiendrez de meilleurs résultats en réduisant légèrement ces deux éléments.
<ul style="list-style-type: none"> <li>■ CUISSON AU GRIL</li> </ul>	<p><b>BROIL</b></p> <p>(Cuisson au grill)</p>	La chaleur intense du dessus brunit ou « complète » vos plats. La cuisson au grill vous offre également une alternative à la friture ou à la viande saisie. Pour la cuisson au grill qui nécessite un sursaut rapide de la chaleur intense, l'utilisation de ce mode avec la température réglée à <b>BROIL</b> (= Intensité maximale).
	<p><b>BROIL CONVECTION</b></p> <p>(Cuisson au grill par convection)</p>	La chaleur intense du dessus est distribuée par le ventilateur de convection, ce qui donne une finition similaire à celle d'un tournebroche : la viande est croquante et uniformément dorée à l'extérieur, juteuse et tendre au centre. Également idéal pour la cuisson des légumes et approprié pour les aliments que vous auriez normalement cuits à la poêle ou au grill.
<ul style="list-style-type: none"> <li>■ FERMENTATION DE LA PÂTE *</li> <li>■ DÉCONGÉLATION</li> </ul>	<p><b>PROOF</b></p> <p>(Fermentation)</p>	Dégage une douce chaleur dans un environnement étanche en créant des conditions idéales à la fermentation de la pâte. Idéal pour la décongélation aussi, mais pas approprié pour réchauffer les aliments ou garder au chaud les aliments chauds.
<ul style="list-style-type: none"> <li>■ FOUR AUTONETTOYANT</li> </ul>	<p><b>CLEAN</b></p> <p>(Cycle de nettoyage)</p>	Ce cycle d'auto-nettoyage s'occupe à votre place des souillures et de la saleté traditionnellement associées au nettoyage du four. Durant l'auto-nettoyage, le four atteint des températures très élevées. C'est ce qui permet de brûler et de décomposer les dépôts de graisse et de saleté alimentaire.

\* Pour les modèles non dotés du mode PROOF, le mode BAKE peut être utilisé pour la fermentation de la pâte. Consultez la documentation de votre modèle.

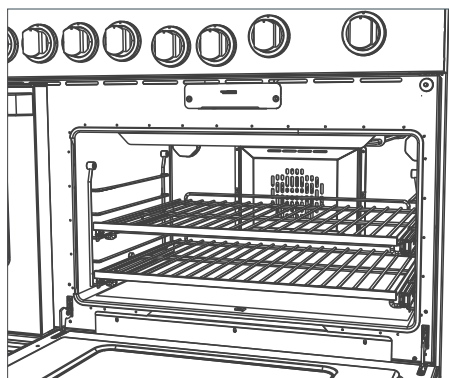


*La cuisinière ne surchauffent; vous entendrez le bruit du ventilateur et sentirez l'air chaud provenant des événements de la*

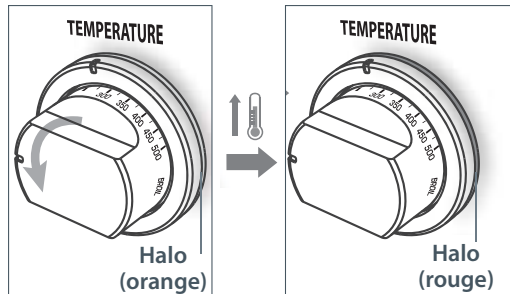
ALIMENTS TYPES	AGENCEMENT	AI-JE BESOIN DE PRÉCHAUFFER LE FOUR?
<ul style="list-style-type: none"> <li>■ Tartes</li> <li>■ Pizza</li> <li>■ Gâteaux</li> <li>■ Biscuits</li> <li>■ Quiche</li> <li>■ Dinde entière</li> </ul>	<ul style="list-style-type: none"> <li>■ Si vous utilisez plus d'une grille pour votre cuisson, assurez-vous que les ustensiles de cuisson sont échelonnés sur les grilles de sorte qu'aucun plat ne se trouve directement au-dessus d'un autre.</li> </ul>	<ul style="list-style-type: none"> <li>■ Pour la cuisson : préchauffez jusqu'à ce que le halo du bouton de température passe de l'orange au rouge. Selon la température et le type de four, cette étape prendra environ 15-20 minutes.</li> </ul>
<ul style="list-style-type: none"> <li>■ Pain</li> <li>■ Carrés au chocolat</li> <li>■ Muffins</li> <li>■ Rôti de côte</li> <li>■ Rôti de porc</li> <li>■ Légumes</li> <li>■ Lasagne</li> </ul>	<ul style="list-style-type: none"> <li>■ Afin d'assurer une meilleure circulation d'air, centrez le plus possible les plats dans le four.</li> </ul>	<ul style="list-style-type: none"> <li>■ Pour rôti et réchauffer, vous n'avez pas besoin de préchauffer le four.</li> </ul>
<ul style="list-style-type: none"> <li>■ Poitrines de poulet</li> <li>■ Poisson</li> <li>■ Steak / Côtelettes / Escalopes</li> <li>■ Bacon</li> <li>■ Hamburgers</li> <li>■ Casseroles à brunir</li> <li>■ Plats « au gratin »</li> <li>■ Tranches de pain grillé</li> </ul>	<ul style="list-style-type: none"> <li>■ Faites toujours griller les aliments avec la porte du four fermée.</li> <li>■ Pour de meilleurs résultats, placez les aliments sur la lèchefrite et la grille et centrez-les sous le gril de cuisson.</li> <li>■ Utilisez une position de grille plus haute pour les plats qui nécessitent une cuisson rapide au gril, et une position plus basse pour ceux qui ont besoin de plus de temps pour cuire.</li> </ul>	<ul style="list-style-type: none"> <li>■ Le four n'a généralement pas besoin de préchauffage pour la cuisson au gril.</li> <li>■ Toutefois, pour de meilleurs résultats lorsque vous souhaitez faire brunir ou saisir les aliments, nous vous recommandons de laisser chauffer le gril de cuisson environ 5-8 minutes avant d'y disposer les plats.</li> </ul>
<ul style="list-style-type: none"> <li>■ Légumes</li> <li>■ Poulet entier</li> <li>■ Filet de bœuf grillé</li> </ul>		
<ul style="list-style-type: none"> <li>■ Pâte à pain</li> <li>■ Pâte à pizza</li> <li>■ Décongélation des aliments</li> </ul>	Mettez la pâte dans le four dans un bol couvert et résistant à la chaleur.	Oui, laissez le four à préchauffer pendant 3 minutes.

*Ce mode ne convient pas à la cuisson des aliments.  
Consultez la section « Utilisation du cycle de nettoyage » pour plus d'informations.*

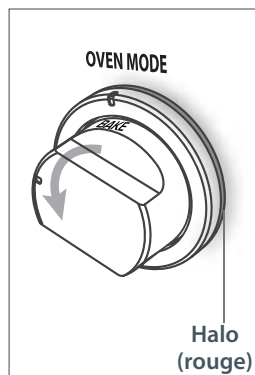
## Utiliser votre four pour cuire et rôtir



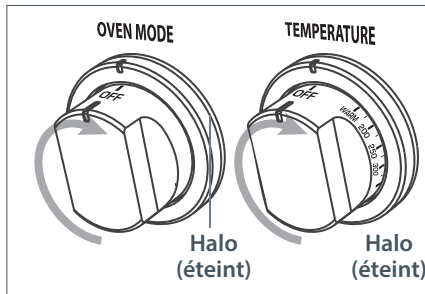
- 1 Vérifiez que la ou les grilles dont vous avez besoin sont en place.
  - Si ce n'est pas le cas, consultez la section « Positionnement des grilles » pour les instructions.



- 3 Tournez le bouton **TEMPERATURE** dans le sens antihoraire jusqu'à la température désirée.
  - Aussitôt que le four commence à chauffer, le halo orange s'allume.
  - Lorsque le four a atteint la température réglée (soit en 15-20 minutes), le halo devient rouge.
  - Remarque : le halo peut alterner entre le rouge et l'orange pendant la cuisson, tandis que le four maintient la température programmée.

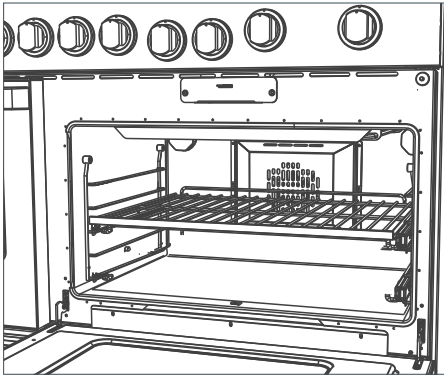


- 2 Tournez le bouton **OVEN MODE** dans le sens antihoraire pour le mettre à la position **BAKE** ou **BAKE CONVECTION**.
  - Le halo devient rouge.



- 4 Lorsque vous en avez terminé avec le four, tournez le bouton de mode d'utilisation du four et le bouton de température dans le sens horaire jusqu'à la position **OFF**.
  - Les halos s'éteignent.
  - Vous pouvez continuer à entendre le bruit du ventilateur de refroidissement: il est normal que le ventilateur reste en marche.

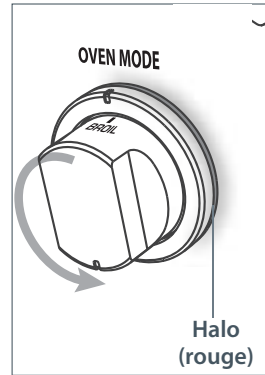
## Utiliser votre four pour griller



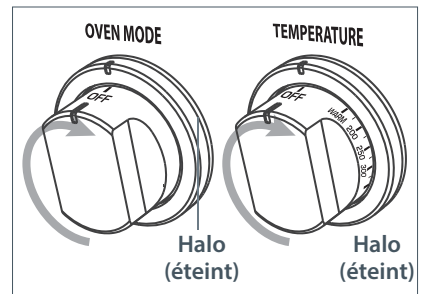
- 1 Vérifiez que la grille dont vous avez besoin est en place.
  - Si ce n'est pas le cas, consultez la section « Positionnement des grilles » pour les instructions.



- 3 Tournez le bouton **TEMPERATURE** dans le sens antihoraire pour le mettre à la position **BROIL** ou à une température inférieure désirée.
  - Le halo orange s'allume, indiquant que le gril de cuisson se réchauffe.
  - Toutefois, pour de meilleurs résultats lorsque vous souhaitez faire brunir ou saisir les aliments, nous vous recommandons de laisser chauffer le gril de cuisson environ 5-8 minutes avant d'y disposer les plats.



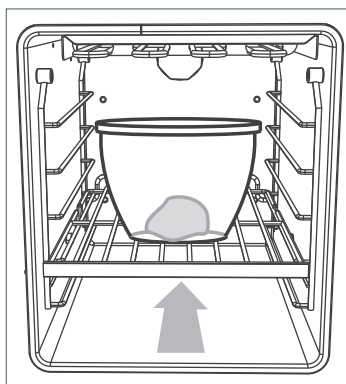
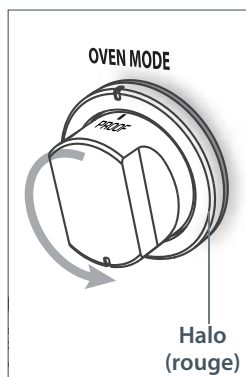
- 2 Tournez le bouton **OVEN MODE** dans le sens antihoraire pour le mettre à la position **BROIL** ou **BROIL CONVECTION**.
  - Assurez-vous que vous tournez le bouton exactement au réglage désiré, sans jamais le dépasser.
  - Le halo devient rouge.



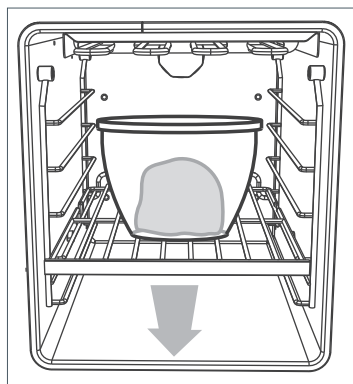
- 4 Lorsque vous en avez terminé avec le four, tournez le bouton de mode d'utilisation du four et le bouton de température dans le sens horaire jusqu'à la position **OFF**.
  - Les halos s'éteignent.
  - Vous pouvez continuer à entendre le bruit du ventilateur de refroidissement: il est normal que le ventilateur reste en marche.

## Utiliser votre four pour la fermentation de la pâte

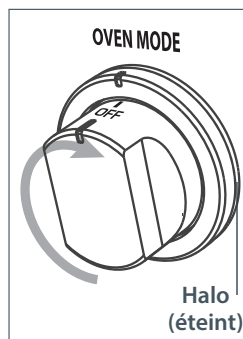
Modèles RDU/RDV-48



- 1 Tournez le bouton **OVEN MODE** du four secondaire dans le sens antihoraire jusqu'à la position **PROOF**.
  - Le four chauffera jusqu'à la température idéale pour la fermentation de la pâte (100°F), soit environ 3 minutes.
- 2 APRÈS 3 MINUTES, placer la pâte dans le four dans bol couvert résistant à la chaleur.



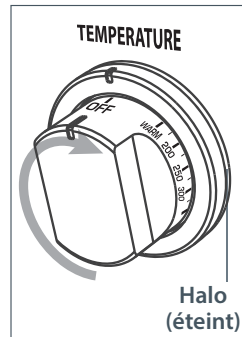
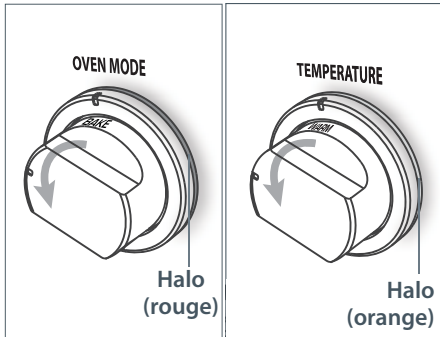
- 3 Lorsqu'elle atteint la taille requise, retirez la pâte du four.
- 4 Tournez le bouton de mode d'utilisation du four dans le sens horaire pour le ramener à la position **OFF**.



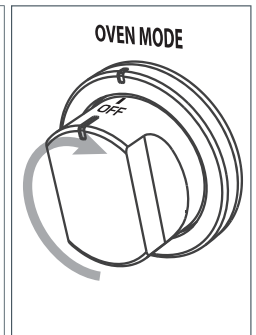
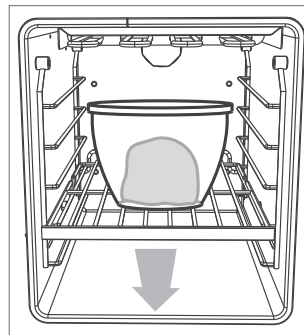
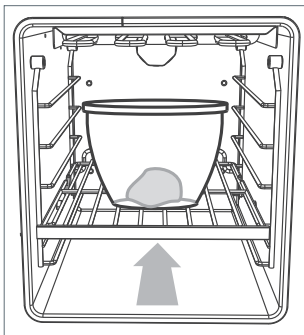
## Utiliser votre four pour la fermentation de la pâte

### Tous les autres modèles

Si votre modèle dispose d'un four secondaire, nous vous recommandons de l'utiliser pour la fermentation de la pâte, car le volume plus petit assure une température plus homogène.



- 1 Tournez le bouton **OVEN MODE** dans le sens antihoraire pour le mettre à la position **BAKE** et le bouton **TEMPERATURE** dans le sens antihoraire jusqu'à la position **WARM**.
  - Le four chauffera jusqu'à la température idéale pour la fermentation de la pâte (100°F), soit environ 5 minutes.
- 2 APRÈS 5 MINUTES, ramenez le bouton de température à la position **OFF**.



- 3 Placez la pâte dans le four dans bol couvert résistant à la chaleur.
- 4 Lorsque la pâte a atteint la taille désirée, sortez-la du four et tournez le bouton de mode d'utilisation du four dans le sens antihoraire pour le ramener à la position **OFF**.

## Directives de cuisson au four

### Important!

- *N'utilisez les modes d'utilisation du four qu'avec la porte du four fermée.*
- *N'utilisez jamais de papier d'aluminium pour recouvrir les grilles ou doubler le plancher du four. La chaleur emprisonnée peut irrémédiablement endommager l'émail et pourrait même provoquer un incendie.*
- *Ne placez jamais d'eau, de glace ou un quelconque plat ou plateau directement sur le plancher du four, car cela pourrait irrémédiablement endommager l'émail.*
- *Ne recouvrez pas la grille à fentes de la lèchefrite de papier d'aluminium. La graisse pourrait s'y écouler et causer un incendie.*
- *N'utilisez pas de pellicule plastique ou de papier ciré dans le four.*
- *Pour des raisons de salubrité des aliments, ne laissez pas les aliments dans le four pendant plus de deux heures avant et après la cuisson ou la décongélation. Ainsi, vous éviterez la contamination par des organismes qui peuvent causer des intoxications alimentaires. Soyez particulièrement vigilant par temps chaud.*

### Cuisson

- **Placez toujours la ou les grilles du four dont vous aurez besoin avant de mettre le four en marche.** Pour la cuisson sur une grille unique, la position la plus fréquemment utilisée est non. 2. Consultez les tableaux de cuisson pour plus de suggestions sur les positions des grilles. Retirez toutes les grilles et ustensiles de cuisson inutilisés du four.
- **Préchauffez le four à la température indiquée dans la recette avant la cuisson.** Selon la température et le type de four, cette étape prendra environ 15-20 minutes. Préchauffez jusqu'à ce que le halo du bouton de température passe de l'orange au rouge.
- **Si vous avez un modèle de cuisinière de 48 pouces, le four principal est idéal pour la cuisson à plusieurs grilles ou la cuisson de grandes quantités d'aliments.** Pour les petites quantités cuites sur une seule grille, utilisez le four secondaire.
- **Disposez les casseroles et les aliments de façon uniforme sur les grilles.** Assurez-vous que les casseroles ne se touchent pas l'une l'autre et qu'elles ne touchent pas les côtés du four. Lors de la cuisson d'un seul élément, centrez toujours le plat sur la grille du four. Si vous utilisez plus d'une grille pour votre cuisson, assurez-vous que les ustensiles de cuisson sont échelonnés sur les grilles de sorte qu'aucun plat ne se trouve directement au-dessus d'un autre.
- **Pour convertir des recettes de la cuisson traditionnelle (BAKE) à la cuisson par convection (CONVECTION),** il faut soit réduire la température indiquée sur la recette et laisser inchangé le temps de cuisson, soit réduire le temps de cuisson de quelques minutes et laisser la température inchangée. Pour les aliments dont le temps de cuisson est supérieur à une heure, vous obtiendrez de meilleurs résultats en réduisant légèrement à la fois la température et le temps de cuisson.
- **Les moules à pâtisserie en métal foncé** ou ceux dont le fini est mat absorbent la chaleur plus rapidement que les ustensiles de cuisson brillants, et sont excellents pour les tartes et pains, ou tout ce qui doit présenter une croûte brunie ou plus croustillante.
- **Un fini brillant** pourrait être l'idéal pour les aliments qui nécessitent un brunissement plus léger et plus délicat (gâteaux et biscuits par exemple), car il reflète la chaleur et donne une cuisson de surface moins intense.
- **Évitez d'ouvrir la porte du four fréquemment pendant la cuisson.** N'ouvrez pas la porte du four jusqu'à ce qu'au moins  $\frac{3}{4}$  du temps de cuisson suggéré ne se soit écoulé.

## Directives de cuisson au four

### Rôti

- **Utilisez la lèchefrite et la grille à fentes fournies avec la cuisinière pour rôti**, en élevant la viande à rôtir sur une grille en métal. Cela permet à l'air chaud de circuler autour de la viande, avec pour résultat une viande brunie plus également et une cuisson similaire à celle d'un tournebroche. Vous pouvez vous procurer une étagère de rôtissoire chez votre DCS par Fisher & Paykel ou auprès du service à la clientèle.
- **Quand vous faites rôti de gros plats, par exemple une dinde entière**, utilisez uniquement la lèchefrite et la grille pour une plus grande stabilité.
- **Utilisez un thermomètre à viande** pour déterminer avec précision le degré de cuisson de la viande.

### Cuisson au gril

- **Faites toujours griller les aliments avec la porte du four fermée**. Si vous devez ouvrir la porte du four pour vérifier la cuisson, ne le faites que pour une durée aussi courte que possible. Cette mesure prévient la surchauffe du panneau de commande.
- **Utilisez la lèchefrite et la grille à fentes fournies**. La grille permet de réduire la fumée et les éclaboussures en laissant la graisse s'écouler dans le fond de la casserole, loin de la chaleur intense. Pour empêcher que les aliments ne collent, pulvérisez la grille d'une légère couche de vaporisateur de cuisson anti-adhésif.
- **Utilisez un thermomètre à viande** pour déterminer avec précision le degré de cuisson de la viande.
- **Choisissez une position de grille appropriée**. Pour vous assurer que la viande soit bien cuite plutôt que de simplement dorée à l'extérieur, griller les gros morceaux de viande et la volaille sur les positions de grille 2 ou 3. Utilisez la position de grille 4 pour les viandes plus minces qui ont besoin d'un temps de cuisson moindre, comme les steaks, côtelettes ou galettes de boeuf haché.
- **Lorsque vous finissez le mets par le brunissement de sa partie supérieure sous le gril**, utilisez des ustensiles de four en métal ou en verre-céramique. N'utilisez pas de verre résistant à la chaleur ou de poterie, car ils ne peuvent pas résister à la chaleur intense du gril.
- **Centrez le plat dans le four**, de sorte qu'il se trouve directement sous le gril.

### Fermentation de la pâte.

- **Pour la fermentation de la pâte, les bols en verre résistant à la chaleur sont l'idéal**, car vous pouvez juger de l'augmentation de sa taille sans avoir à ouvrir le four ou retirer le couvercle.
- **Pour verrouiller ou augmenter l'humidité durant la fermentation**, couvrez le bol avec un torchon humide.

### Décongeler

- **Pour décongeler des aliments congelés non cuits**, programmez le mode d'utilisation du four à **BAKE** ou **CONVECTION** et réglez la température à la position **WARM**. Une fois décongelés, faites cuire les aliments sans attendre et ne les recongelez pas.
- **Pour empêcher que le liquide de décongélation des aliments ne dégoutte sur le plancher du four**, assurez-vous de la nourriture crue est bien emballée dans du papier et/ou placée dans un récipient.

Pour de plus amples détails sur la cuisson au four, visitez notre site Web, [www.dcsappliances.com](http://www.dcsappliances.com)

## Tableaux de cuisson

- Les paramètres du tableau ci-dessous ne sont que des lignes directrices. Suivez les instructions de votre recette ou de l'emballage et soyez prêt à ajuster les réglages du four et les temps de cuisson pour obtenir les meilleurs résultats possible.
- Les paramètres en caractères **gras** indiquent la méthode **recommandée**.

## Modèles RDU/RDV — four principal

Aliment	Grille simple ou multiples grilles	Position(s) de la ou des grilles	Mode	Température (°F)	Temps (min.)
Biscuits au sucre	<b>simple</b>	<b>2</b>	<b>BAKE</b>	<b>350-375</b>	<b>7-9</b>
	simple	2	BAKE CONVECTION	325-350	7-9
Gâteau jaune	<b>multiple</b>	<b>1 and 3</b>	<b>BAKE</b>	<b>325-350</b>	<b>28-32</b>
	multiple	1 and 3	BAKE CONVECTION	300-325	28-32
Gâteau blanc	<b>multiple</b>	<b>1 and 3</b>	<b>BAKE</b>	<b>325-350</b>	<b>28-32</b>
	multiple	1 and 3	BAKE CONVECTION	300-325	28-32
Gâteau des anges	<b>simple</b>	<b>1 or 2</b>	<b>BAKE</b>	<b>325-350</b>	<b>45-60</b>
	simple	1 or 2	BAKE CONVECTION	300-325	45-55
Gâteau quatre-quarts	<b>simple</b>	<b>1 or 2</b>	<b>BAKE</b>	<b>300-325</b>	<b>55-70</b>
	simple	1 or 2	BAKE CONVECTION	275-300	55-70

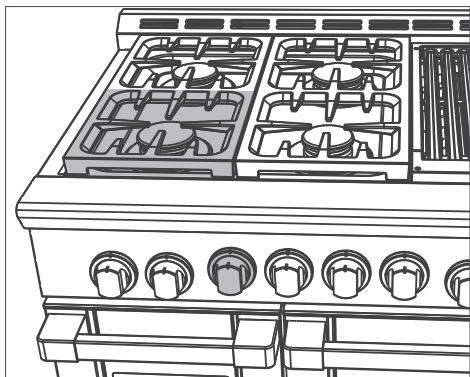


## Tableaux de cuisson

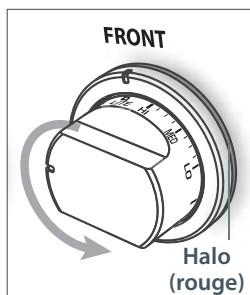
### Modèles RGU/RGV et RGUC/RGVC — four principal

Aliment	Grille simple ou multiples grilles	Position(s) de la ou des grilles	Mode	Température (°F)	Temps (min.)
Biscuits au sucre	<b>simple</b>	<b>2</b>	<b>BAKE</b>	<b>350-375</b>	<b>7-9</b>
	simple	<b>2</b>	BAKE CONVECTION	<b>325-350</b>	<b>6-9</b>
Gâteau jaune	<b>multiple</b>	<b>1 and 3</b>	<b>BAKE</b>	<b>325-350</b>	<b>28-32</b>
	multiple	<b>1 and 3</b>	BAKE CONVECTION	<b>300-350</b>	<b>28-32</b>
Gâteau blanc	<b>multiple</b>	<b>1 and 3</b>	<b>BAKE</b>	<b>325-350</b>	<b>23-32</b>
	multiple	<b>1 and 3</b>	BAKE CONVECTION	<b>300-325</b>	<b>23-32</b>
Gâteau des anges	<b>simple</b>	<b>1 or 2</b>	<b>BAKE</b>	<b>325-350</b>	<b>37-47</b>
	simple	<b>1 or 2</b>	BAKE CONVECTION	<b>325-350</b>	<b>37-45</b>
Gâteau quatre-quarts	<b>simple</b>	<b>1 or 2</b>	<b>BAKE</b>	<b>275-300</b>	<b>55-70</b>
	simple	<b>1 or 2</b>	BAKE CONVECTION	<b>275-300</b>	<b>55-70</b>

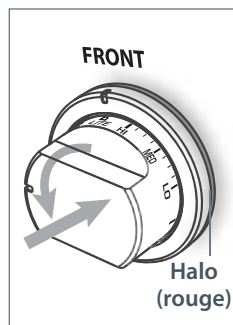
## Utilisation des brûleurs



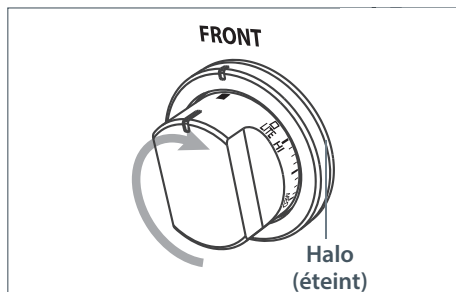
- 1 Identifiez le bouton du brûleur que vous souhaitez utiliser.



- 3 Lorsque le brûleur est allumé, tournez le bouton à n'importe quel réglage entre **HI** (élevée) et **SIM** (mijoter).
  - Le cliquetis devrait s'arrêter dès que le brûleur est allumé.
  - Si le brûleur ne s'allume pas, et/ou que le cliquetis ne s'arrête pas, ou si les flammes ne sont pas bleues et bien définies, tournez le bouton vers la droite en position **OFF** et consultez la section « Dépistage des pannes » pour obtenir des conseils.



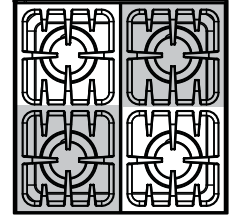
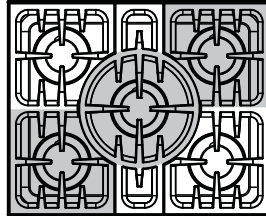
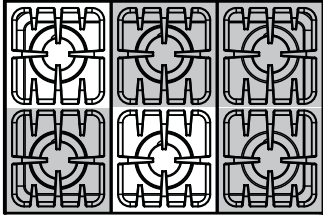
- 2 Poussez le bouton et tournez-le dans le sens antihoraire jusqu'à la position **LITE** (allumer).
  - Le halo devient rouge.
  - Veillez à arrêter à la position **LITE** avant d'enclencher le réglage de la flamme.
  - Vous entendrez un cliquetis. S'il n'y a pas de cliquetis, ramenez le bouton dans le sens horaire jusqu'à la position **OFF** et consultez la section « Dépistage des pannes » pour obtenir des conseils.



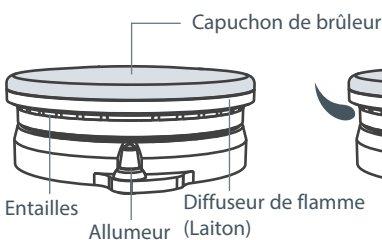
- 4 Lorsque la cuisson est terminée, ramenez le bouton de température à la position **OFF**.
  - Le bouton se libérera et le halo ainsi que le brûleur s'éteindront.
  - Si vous employez du gaz GPL, un léger « pop » ou un éclair au niveau du diffuseur de flamme pourrait se manifester quelques secondes après l'extinction du brûleur. C'est normal dans le cas du GPL.

## Directives d'utilisation des brûleurs

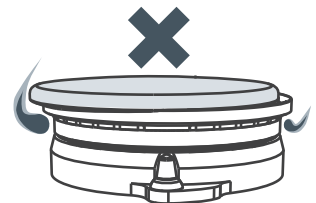
- Tous les brûleurs ont le même faible réglage à basse puissance (**SIM**) pour mijoter doucement (1300 BTU / h). Utilisez le réglage **SIM** pour faire fondre le chocolat et le beurre, cuire le riz et les sauces délicates, faire mijoter les soupes et ragoûts, ou garder les aliments cuits au chaud.
- Pour la cuisson qui exige une chaleur particulièrement intense (par exemple la viande saisie, la cuisson au wok, les sautés), utilisez les brûleurs ombrés, car ils ont une puissance maximale plus élevée (17 000 BTU / h de gaz naturel) que les autres brûleurs (12 500 BTU / h pour le gaz naturel).



- **Ne laissez jamais l'appareil sans surveillance pendant l'utilisation.** Les débordements produisent de la fumée et des déversements de matières grasses qui peuvent s'enflammer.
- **Ne laissez jamais les flammes s'étendre au-delà ou sur les côtés des ustensiles de cuisson.** Cela pourrait décolorer et endommager l'ustensile et vous pourriez vous brûler en touchant une poignée brûlante.
- **Gardez les poignées dégagées.** Tournez les poignées de sorte qu'elles ne s'étendent pas au-delà du rebord de la cuisinière ou d'un autre brûleur allumé.
- **Soyez prudent lorsque vous faites de la friture.** L'huile ou la graisse peuvent surchauffer très rapidement, en particulier à réglage élevé.
- **Assurez-vous que toutes les pièces du brûleur sont bien en place.** Des brûleurs assemblés de façon incorrecte ou incomplète peuvent produire des flammes dangereuses. Consultez la section « Remplacement des pièces du brûleur » sous le chapitre « Entretien et nettoyage ».
- **Gardez les brûleurs propres.** Surtout après un déversement ou un débordement, assurez-vous de nettoyer les brûleurs touchés avant de les utiliser à nouveau. Les restes de nourriture peuvent obstruer l'allumeur et les encoches du diffuseur de flamme, empêchant le brûleur de fonctionner correctement. Consultez le chapitre « Entretien et nettoyage » pour les instructions.
- **Vérifiez que les flammes du brûleur sont régulières.** Elles doivent être bleues, sans pointes jaunes, et brûler sans voltiger autour du chapeau de brûleur. Si ce n'est pas le cas, consultez la section « Dépistage des pannes » pour obtenir des conseils.
- **N'utilisez le wok qu'avec un anneau de wok.** Vous pouvez vous procurer des anneaux de wok chez votre DCS par Fisher & Paykel ou auprès du service à la clientèle. Pour les utiliser, placez l'anneau de wok sur les grilles, en vous assurant que les petites protubérances de sa partie inférieure enjambent les doigts de la grille. L'anneau de wok doit être stable et incapable de tourner.



CORRECT



INCORRECT

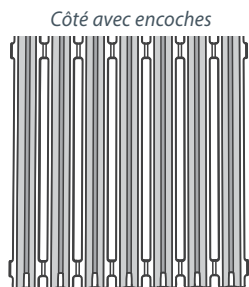
# Utiliser la table de cuisson

## Utilisation du gril de cuisson

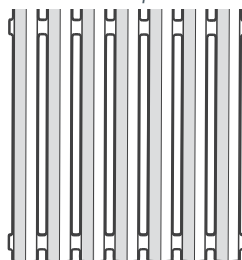
Le gril de cuisson possède une grille réversible. Il change de couleur au fil du temps et des huiles de cuisson qui y sont appliquées. C'est normal et cela n'affecte en rien les performances de cuisson.

*Pour les aliments qui doivent laisser la graisse s'écouler, tels que :*

- Hamburgers
  - Steak
- Saucisses



*Côté plat*



*Pour les aliments qui ont besoin de davantage de soutien et ne contiennent pas beaucoup de gras, tels que :*

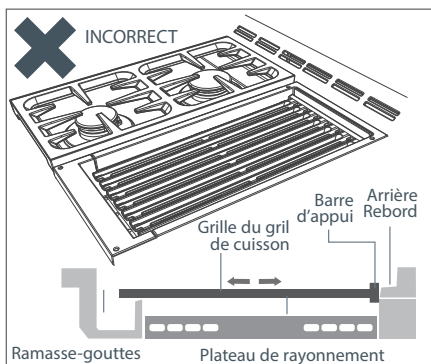
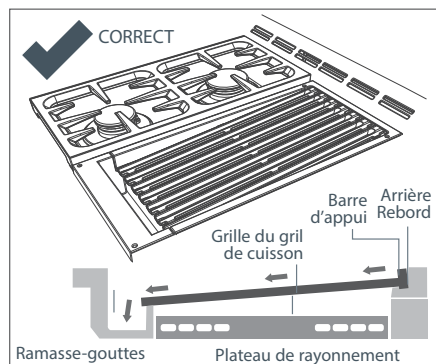
- Poisson
- Légumes
- Morceaux de poulet maigres

### Pour utiliser le gril de cuisson

- 1 Retirez le couvercle et vérifiez l'emplacement adéquat du ramasse-gouttes et de la grille du gril de cuisson; assurez-vous aussi que vous avez choisi le meilleur côté pour votre plat. La grille doit toujours être inclinée vers le ramasse-gouttes, avec sa barre d'appui reposant fermement dans la rainure du rebord arrière, comme illustré.

## Important!

*Ne mettez jamais le gril de cuisson en marche lorsque le couvercle est dessus.*



- 2 Tournez le bouton du gril dans le sens antihoraire jusqu'à la position **LITE/HI**.
  - Le halo entourant le bouton deviendra rouge.
  - Un délai d'environ une minute pourrait s'écouler avant que le gril de cuisson ne s'allume. C'est normal.
- 3 Laissez préchauffer le gril vide pendant environ 15 minutes.
- 4 Ajustez la chaleur à un point situé entre **HI** (élevée) et **LO** (basse) durant la cuisson au gril.
- 5 Lorsque vous avez fini d'utiliser le gril, ramenez le bouton du gril dans le sens horaire jusqu'à la position **OFF**.
- 6 Nettoyez la grille du gril immédiatement après l'avoir utilisée. Consultez le chapitre « Entretien et nettoyage » pour les instructions.
- 7 Une fois le gril refroidi, nettoyez le ramasse-gouttes. Consultez le chapitre « Entretien et nettoyage » pour les instructions.

## Directives de cuisson sur le gril de cuisson

### Important!

- *Ne laissez jamais le gril de cuisson sans surveillance lors de son utilisation. Les gouttes de graisse pourraient causer de courtes flambées ou même des flammes soutenues. Si le gril est laissé sans surveillance, elles pourraient provoquer un incendie.*
- *Attention que la hotte de ventilation soit réglée au maximum durant une cuisson sur le gril.*
- *Nettoyez le ramasse-gouttes après chaque utilisation. La graisse accumulée pourrait présenter un risque d'incendie.*
- Plus le gril de cuisson aura été préchauffé, plus les marques de gril seront foncées sur les aliments.
- Éliminez l'excès de gras de la viande afin de minimiser les flambées.
- Commencez généralement par régler la cuisson à une température élevée pour saisir ou brunir la viande, puis abaissez la température pour vous assurer que la viande et la volaille sont bien cuites.
- Lorsque vous retournez la viande, utilisez des pinces ou une spatule qui ne perforera pas la viande en laissant les jus s'en écouler.

## Utilisation de la plaque de cuisson

La plaque de cuisson deviendra plus foncée avec le temps et développera un revêtement naturel non collant.

Lorsqu'elle est correctement assaisonnée, elle peut être utilisée sans y ajouter d'huile.

- 1 Retirez le couvercle et assurez-vous que le ramasse-gouttes est à sa place.

### Important!

- *Ne mettez jamais la plaque de cuisson en marche lorsque le couvercle est dessus.*
  - *Gardez toujours les événements d'aération qui se trouvent à l'arrière du cadre de la plaque de cuisson libres de tout objet : le débit d'air aux événements ne doit jamais être bloqué.*
- 2 Si vous n'avez pas utilisé la plaque de cuisson pendant une longue période, assaisonnez-la de nouveau. Consultez la section « Première utilisation » pour des instructions.
  - 3 Tournez le bouton de la plaque dans le sens antihoraire jusqu'à la température désirée.
    - Un délai d'environ une minute pourrait s'écouler avant que la plaque de cuisson ne s'allume. C'est normal.
    - Aussitôt que la plaque commence à chauffer, le halo entourant de son bouton deviendra orange.
    - Consultez la section « Tableau de cuisson sur la plaque » ci-dessous pour des suggestions.
  - 4 Lorsque le halo devient rouge (après environ 15 minutes), la plaque est prête à l'emploi.
    - Remarque : le halo pourrait alterner entre le rouge et l'orange durant l'utilisation, car la plaque de cuisson maintient la température programmée.
  - 5 Lorsque vous avez fini d'utiliser la plaque de cuisson, ramenez son bouton dans le sens horaire jusqu'à la position **OFF**.
  - 6 Nettoyez la plaque de cuisson et le ramasse-gouttes après chaque usage. La plaque de cuisson doit être nettoyée avec soin alors qu'elle est encore chaude. Consultez le chapitre « Entretien et nettoyage » pour les instructions.

### Important!

*Nettoyez le ramasse-gouttes après chaque utilisation. La graisse accumulée pourrait présenter un risque d'incendie.*

## Tableau de cuisson sur la plaque

Aliment	Réglage de la température
Œufs	225-250 °F
Bacon, jambon, côtelettes de porc	300-325 °F
Saucisse, sandwiches au fromage grillé	325-350 °F
Crêpes, pain français	350-375 °F
Pommes de terre rissolées	400-425 °F

## À FAIRE

- Lisez ces instructions de nettoyage ainsi que la section « Sécurité et mises en garde » avant d'entreprendre le nettoyage de votre cuisinière.
- Avant de nettoyer ou de retirer l'une ou l'autre pièce, veillez à ce que tous les éléments de la cuisinière soient bien éteints.
- À moins que le tableau ci-dessous n'indique autre chose, laissez refroidir les pièces jusqu'à ce qu'elles aient atteint une température sécuritaire avant de les nettoyer. Soyez extrêmement vigilant si vous devez passer à une autre personne une pièce brûlante ou chaude (par ex. le gril ou la plaque de cuisson). Portez de longues mitaines afin d'éviter les brûlures dues à la vapeur ou aux surfaces brûlantes.
- Utilisez si possible le nettoyant choisi sur une petite portion pour commencer, afin de vous assurer qu'il ne tache pas.
- Consultez les pages qui suivent ce tableau pour des instructions sur le retrait et le remplacement de diverses pièces de la cuisinière à des fins de nettoyage ou d'entretien.
- Pour vous aider à identifier les pièces, consultez les illustrations de la section « Introduction » et celles qui suivent ce tableau de nettoyage.
- S'assurer que le dispositif anti-bascule est réengagé si vous déplacez la gamme pour le nettoyage. Ne pas le faire peut entraîner dans le four de basculement, et les adultes et les enfants peuvent être tués.

## À NE PAS FAIRE

- *N'utilisez pas de nettoyants en aérosol jusqu'à ce que la cuisinière ait complètement refroidi. La substance propulsive contenue dans ces produits pourrait prendre feu en présence de chaleur.*
- *Ne laissez pas la saleté ou la graisse s'accumuler sur ou dans la cuisinière. Non seulement le nettoyage futur s'en trouvera plus difficile, mais cela pourrait présenter un risque d'incendie.*
- *N'utilisez pas de nettoyants, chiffons, tampons à récurer ou laine d'acier abrasifs ou durs. Ils érafleraient votre cuisinière et endommageraient son apparence.*
- *N'utilisez pas de nettoyeur à vapeur pour nettoyer une quelconque partie de la cuisinière.*
- *N'effectuez aucun nettoyage ou entretien des pièces qui ne sont pas spécifiquement nommées dans le tableau ci-dessous. En cas de doute, contactez le Service à la clientèle.*
- *Ne retirez pas les cadres noirs du gril de cuisson et de la plaque de cuisson hors de la table de cuisson.*

## Tableau de nettoyage manuel

Quoi?	Comment?	Important!
<b>Extérieur de la cuisinière</b>		
<b>Extérieur du cadre de porte,</b>	1 Faites ramollir toute tache tenace à l'aide d'un chiffon imbibé d'eau chaude savonneuse.	<ul style="list-style-type: none"> <li>■ <i>Prenez connaissance de l'étiquette afin de vous assurer que votre nettoyant à acier inoxydable ne contient pas de composés de chlore, car ces derniers sont corrosifs et pourraient endommager l'apparence de votre cuisinière.</i></li> <li>■ <i>N'utilisez pas de nettoyant à acier inoxydable sur les boutons, les poignées du four ou la grille de la plinthe de protection et veillez à ne pas en renverser dessus. Ces pièces ne sont pas en acier inoxydable et leur surface pourrait être endommagée par le nettoyant à acier inoxydable.</i></li> <li>■ <i>Lors du nettoyage de la garniture arrière et de la partie supérieure de la porte du four, attention qu'aucun liquide ne s'écoule dans les trous d'aération.</i></li> </ul>
<b>Panneau de commande,</b>	2 Nettoyez à l'aide d'une solution de détergent doux et d'eau chaude, puis essuyez avec un chiffon à microfibrés.	
<b>Zone de la cuvette autour des brûleurs de la table de cuisson,</b>	3 Pour un fini ultra lustré, utilisez un nettoyeur et poli à acier inoxydable, en vous conformant aux instructions du fabricant. Frottez toujours l'acier inoxydable dans le sens des lignes de poli.	
<b>Couvercles du gril et de la plaque de cuisson,</b>		
<b>Garniture arrière</b>		

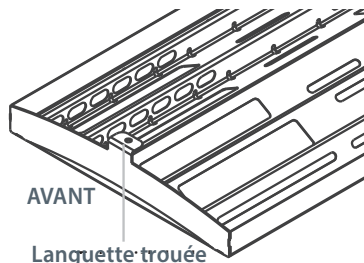
Quoi?	Comment?	Important!
<b>Boutons de commande,</b> <b>Poignées de four,</b> <b>Grille de la plinthe de protection</b>	<ol style="list-style-type: none"> <li>1 Essuyez à l'aide d'un chiffon humide et d'une solution de détergent doux et d'eau chaude.</li> <li>2 Séchez à fond avec un chiffon en microfibres.</li> </ol> <p>Si vous le désirez, vous pouvez retirer les boutons pour les nettoyer. Avant de retirer un bouton, assurez-vous qu'il est à la position <b>OFF</b>, puis tirez-le d'un seul coup vers vous. Ne retirez qu'un seul bouton à la fois et veillez à le réinstaller correctement et complètement sur sa tige après le nettoyage.</p>	<ul style="list-style-type: none"> <li>■ <i>N'utilisez pas de nettoyant pour acier inoxydable sur les boutons, car vous pourriez endommager leur revêtement.</i></li> <li>■ <i>Les boutons ne sont pas interchangeables : si vous les retirez pour les nettoyer, ne le faites qu'un bouton à la fois. Assurez-vous que vous remplacez chaque bouton à l'endroit exact d'où vous l'avez retiré.</i></li> </ul>
<b>Pièces du four</b>		
<b>Intérieur du four en émail - saleté légère</b>	<ol style="list-style-type: none"> <li>1 Essuyez à l'aide d'un chiffon humide et d'une solution d'eau chaude et de détergent doux.</li> <li>2 Utilisez un chiffon doux pour sécher complètement.</li> </ol> <p>Remarque: La porte du four peut être enlevée pour faciliter l'accès dans le four.</p>	<p><i>Afin d'empêcher que la saleté « cuise » ou colle, nous recommandons de nettoyer tout déversement, aliment ou tache de gras apparaissant sur l'émail après chaque usage. Pour les fours auto-nettoyants, cela réduira également la fréquence des nettoyages.</i></p>
<b>Intérieur du four en émail - saleté tenace, « cuite »</b>	<ul style="list-style-type: none"> <li>■ <b>Fours auto-nettoyants (ceux qui possèdent le mode CLEAN sur le bouton de mode) :</b> utilisez le cycle de <b>nettoyage</b>. Consultez la section « Utilisation du cycle de nettoyage » pour des instructions.</li> <li>■ <b>Fours qui ne sont pas auto-nettoyants (ceux qui ne possèdent pas ule mode CLEAN sur le bouton de mode) :</b> <ol style="list-style-type: none"> <li>1 Retirez tout ce qui se trouve dans le four : grilles, rayons latéraux, tous les ustensiles de cuisson.</li> <li>2 Couvrez la plinthe de protection et le sol devant le four avec plusieurs couches de papier journal. Les produits nettoyant de four peuvent couler ou tomber accidentellement sur ces surfaces et les endommagés en permanence.</li> <li>3 Utilisez un nettoyant à base ammoniacale ou un nettoyant de four suivant les instructions du fabricant du produit.</li> <li>4 Après le nettoyage, remplacez les rayons latéraux et les grilles.</li> </ol> </li> </ul>	<ul style="list-style-type: none"> <li>■ <i>N'utilisez pas de nettoyeur à four dans un four auto-nettoyant (ceux qui possèdent le mode CLEAN sur le bouton de mode).</i></li> <li>■ <i>Les produits nettoyant de four sont caustiques et peuvent marquer et endommager les surfaces en permanence. Lorsqu'un nettoyant de four est utilisé dans un four non-auto-nettoyant, prêtez une attention particulière à ce que le produit vienne en contact uniquement avec les surfaces intérieures du four. Si le produit est accidentellement en contact avec d'autres surfaces, enlever immédiatement.</i></li> </ul>
<b>Rayons latéraux</b>	<ul style="list-style-type: none"> <li>■ Pré-trempez toute saleté tenace et cuite, puis nettoyez à l'aide d'une solution de détergent doux et d'eau chaude. Séchez avec un chiffon en microfibres.</li> <li>■ Vous pouvez également nettoyer ces éléments au lave-vaisselle.</li> </ul>	
<b>Grilles du four</b>	<ol style="list-style-type: none"> <li>1 Pour éliminer la saleté tenace ou cuite, frottez à l'aide d'un tampon non métallique et non abrasif trempé dans le savon, puis essuyez bien.</li> <li>2 Appliquez un nettoyeur pour chrome à l'aide d'une éponge humide ou d'un chiffon, en vous conformant aux instructions du fabricant.</li> <li>3 Essuyez et séchez.</li> </ol>	<p><i>Ne lavez pas les grilles du four principal au lave-vaisselle, ne les immergez pas dans l'eau savonneuse et ne les lavez pas avec du nettoyeur à four. Ce faisant, vous éliminerez la graisse lubrifiante des ridelles et elles seraient moins efficaces.</i></p>

Quoi?	Comment?	Important!
<b>Pièces du four</b>		
<b>Lèche-frite et grille à fentes</b>	<ol style="list-style-type: none"> <li>1 Faites pré-tremper les taches tenaces dans une solution de détergent doux et d'eau chaude.</li> <li>2 Lavez à la main ou au lave-vaisselle.</li> </ol>	
<b>Brûleurs de cuisson et de cuisson au grill</b> <i>(fours au gaz)</i>	Ne nettoyez pas ces pièces. Elles s'auto-nettoient durant l'usage normal.	
<b>Élément du gril de cuisson</b> <i>(fours électriques)</i>		
<b>Vitre de la porte du four</b> <i>(intérieur)</i>	<ul style="list-style-type: none"> <li>■ <b>Fours auto-nettoyants (ceux qui possèdent le mode CLEAN sur le bouton de mode)</b> : ces éléments seront nettoyés durant un cycle de nettoyage. Néanmoins, en cas de saleté tenace, essuyez à l'eau chaude pour détacher la saleté incrustée avant de démarrer le cycle de nettoyage.</li> <li>■ <b>Fours qui ne sont pas auto-nettoyants (ceux qui ne possèdent pas le mode CLEAN sur le bouton de mode)</b> : utilisez un chiffon doux et un mélange d'eau tiède et de savon à vaisselle pour éliminer la saleté légère. Pour les taches tenaces, essayez un nettoyant à table de cuisson en céramique ou un mélange de bicarbonate de soude et d'eau tiède, puis essuyez à l'aide d'un chiffon doux non pelucheux.</li> </ul>	<i>N'utilisez pas de nettoyants à four ou de nettoyants, chiffons, tampons à recurer ou laine d'acier durs ou abrasifs et n'employez pas de racloir en métal pour nettoyer la vitre de la porte de four. Ces articles érafleraient la vitre, ce qui pourrait la fissurer et la faire éclater.</i>
<b>Vitre de la porte du four</b> <i>(extérieur)</i>	Nettoyez à l'aide d'un chiffon doux et d'un mélange d'eau tiède et de savon à vaisselle ou de nettoyant à vitre.	
<b>Joint d'étanchéité de la porte du four</b>	<p>Évitez de nettoyer cette pièce. Si vous devez en retirer de grandes particules d'aliments, procédez comme suit :</p> <ol style="list-style-type: none"> <li>1 Trempez une éponge dans l'eau chaude.</li> <li>2 Essuyez délicatement la saleté sans frotter.</li> <li>3 Tamponnez une serviette sèche sur le joint d'étanchéité pour le sécher.</li> </ol>	<ul style="list-style-type: none"> <li>■ <i>N'utilisez pas d'agent nettoyant sur le joint d'étanchéité.</i></li> <li>■ <i>Il est essentiel pour assurer une bonne étanchéité. Veillez à ne pas le frotter, le déplacer ou l'endommager.</i></li> </ul>



Quoi?	Comment?	Important!
<b>Pièces de la table de cuisson</b>		
<b>Capuchons de brûleur et diffuseurs de flamme en laiton</b>	<ol style="list-style-type: none"> <li>1 Assurez-vous que le brûleur est éteint (OFF) et laissez-le refroidir.</li> <li>2 Soulevez le capuchon du brûleur et le diffuseur de flamme en laiton.</li> <li>3 Lavez-les à l'eau chaude et savonneuse, rincez et séchez. <ul style="list-style-type: none"> <li>■ Utilisez une brosse de nylon aux soies raides ou un trombone à bout droit pour nettoyer les encoches du diffuseur de flamme.</li> </ul> </li> <li>4 Remplacez correctement le diffuseur de flamme et le capuchon de brûleur. Consultez la section « Remplacement des pièces du brûleur ».</li> </ol>	<ul style="list-style-type: none"> <li>■ <i>Veillez à ce que les diffuseurs de flamme ne soient jamais obstrués. La saleté peut les obstruer et causer des problèmes à l'allumage.</i></li> <li>■ <i>Avant de replacer une pièce dans le brûleur, assurez-vous qu'elle est bien sèche. Une pièce de brûleur mouillée pourrait provoquer une flamme irrégulière.</i></li> <li>■ <i>Avant d'allumer un brûleur réassemblé, vérifiez que toutes ses pièces sont correctement positionnées. Un assemblage incorrect pourrait causer de dangereux problèmes de flamme irrégulière et d'allumage.</i></li> </ul>
<b>Allumeurs</b>	<ol style="list-style-type: none"> <li>1 Assurez-vous que le brûleur est éteint (OFF).</li> <li>2 Nettoyez l'allumeur à l'aide d'une petite brosse (par ex. une vieille brosse à dents) ou d'un coton-tige trempé dans l'alcool à friction.</li> </ol>	<i>Les allumeurs doivent être propres et secs pour fonctionner correctement. Un allumeur sale ou mouillé pourrait entraîner un cliquetis continu et des étincelles, même s'il y a une flamme.</i>
<b>Grilles des brûleurs</b>	<ol style="list-style-type: none"> <li>1 Laissez complètement refroidir les grilles.</li> <li>2 Soulevez délicatement les grilles de la table de cuisson et disposez-les sur une surface protégée.</li> <li>3 Pour éliminer les taches tenaces, faites tremper les grilles dans un mélange de savon pour le linge et d'eau.</li> <li>4 Lavez dans un mélange de savon à vaisselle et d'eau chaude, puis rincez et laissez sécher. <ul style="list-style-type: none"> <li>■ Vous pouvez aussi laver les grilles au lave-vaisselle.</li> </ul> </li> </ol>	<ul style="list-style-type: none"> <li>■ <i>Soyez prudent, car les grilles sont lourdes.</i></li> <li>■ <i>N'oubliez pas de placer un linge à vaisselle ou tout autre revêtement souple sur la surface où vous disposerez les grilles.</i></li> </ul>

Quoi?	Comment?	Important!
<b>Pièces de la table de cuisson</b>		
<b>Grille du gril de cuisson</b>	<ol style="list-style-type: none"> <li>1 Vérifiez que le gril de cuisson est éteint.</li> <li>2 Enfilez vos mitaines de barbecue pour vous protéger contre la vapeur et la chaleur.</li> <li>3 Frottez le gril de cuisson à l'aide d'une brosse pour barbecue à soies en laiton fréquemment trempée dans un bol d'eau chaude. Les particules de nourriture ramollies tomberont dans le plateau de rayonnement sous la grille.</li> <li>4 Une fois la grille complètement refroidie, retirez-la et lavez-la dans l'évier à l'eau chaude savonneuse.</li> <li>5 Séchez à l'aide d'un chiffon doux, puis remplacez.</li> </ol>	<ul style="list-style-type: none"> <li>■ <i>La grille du gril de cuisson doit être nettoyée immédiatement après utilisation (tandis qu'elle est encore chaude), afin que les particules d'aliment n'aient pas le temps de durcir.</i></li> <li>■ <i>La couleur de la grille du gril de cuisson changera avec le temps. C'est normal.</i></li> <li>■ <i>Pour vous assurer de bien replacer la grille du gril de cuisson, consultez les illustrations de la section « Utilisation du gril de cuisson »</i></li> </ul>
<b>Plateau de rayonnement (sous la grille du gril)</b>	<ol style="list-style-type: none"> <li>1 Attendez que le gril de cuisson soit complètement refroidi.</li> <li>2 Soulevez la grille du gril de cuisson, sortez le ramasse-gouttes, puis soulevez avec soin le plateau de rayonnement.</li> <li>3 Secouez-le délicatement sur une feuille de papier journal ou au-dessus d'une poubelle pour en éliminer la cendre et les particules alimentaires.</li> <li>4 Remplacez le plateau en veillant à ce que la languette trouée se trouve à l'avant de la cuisinière.</li> <li>5 Remplacez le ramasse-gouttes et la grille.</li> </ol>	<ul style="list-style-type: none"> <li>■ <i>Le plateau de rayonnement n'a pas besoin d'un nettoyage régulier. Ne le nettoyez que si vous y voyez de grosses particules alimentaires.</i></li> <li>■ <i>Le plateau de rayonnement n'a pas besoin d'être nettoyé à l'eau, car les plus petites saletés seront incinérées dans le cadre de l'utilisation.</i></li> <li>■ <i>Veillez à le replacer correctement : la languette trouée doit être à l'avant.</i></li> </ul>



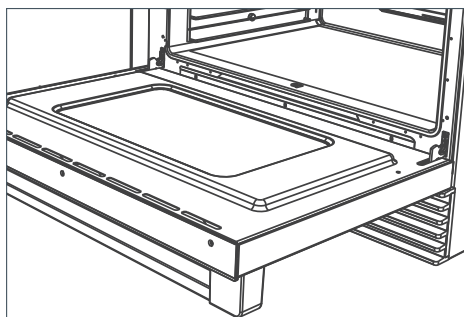
Quoi?	Comment?	Important!
<b>Pièces de la table de cuisson</b>		
<b>Plaque de cuisson</b>	<ul style="list-style-type: none"> <li>■ <b>Pour éliminer la saleté légère après chaque usage :</b> <ol style="list-style-type: none"> <li>1 Alors que la plaque de cuisson est encore chaude, employez une spatule à bout carré ou une brosse en laiton pour nettoyer la plaque de cuisson de sa graisse et de ses particules alimentaires.</li> <li>2 Une fois la plaque légèrement refroidie, frottez sa surface avec de l'huile végétale, puis essuyez bien à l'aide d'un chiffon rugueux.</li> </ol> </li> <li>■ <b>Pour éliminer la saleté tenace « cuite » :</b> <ol style="list-style-type: none"> <li>1 Utilisez une pierre à plaque de cuisson conformément aux instructions du fabricant, en évitant le cadre noir de la plaque.</li> <li>2 Lavez à l'eau chaude savonneuse, rincez et séchez.</li> <li>3 Assaisonnez de nouveau la plaque de cuisson conformément aux instructions de la section « Première utilisation ».</li> </ol> </li> </ul>	<ul style="list-style-type: none"> <li>■ <i>Soyez extrêmement vigilant lors du nettoyage d'une plaque de cuisson brûlante : portez des mitaines de barbecue et faites attention à la vapeur et aux surfaces chaudes.</i></li> <li>■ <i>N'immergez jamais la plaque de cuisson dans l'eau froide : elle pourrait se fissurer ou se déformer.</i></li> <li>■ <i>Ne soulevez pas le cadre noir de la plaque de cuisson hors de la table de cuisson. L'ensemble de la plaque de cuisson ne doit pas être retiré.</i></li> <li>■ <i>Une pellicule non collante se développera sur la plaque de cuisson et la surface se décolorera ou foncera par plaques avec l'usage : c'est normal.</i></li> </ul>
<b>Ramasse-gouttes</b>	<ol style="list-style-type: none"> <li>1 Attendez que le ramasse-gouttes ait refroidi jusqu'à une température sécuritaire pour le toucher, puis glissez-le légèrement dans votre direction et soulevez-le.</li> <li>2 Jetez la graisse, puis nettoyez le ramasse-gouttes à l'eau chaude et au savon à vaisselle. Le ramasse-gouttes peut également être mis au lave-vaisselle.</li> <li>3 Rincez à l'eau propre et laissez sécher.</li> <li>4 Remplacez le ramasse-gouttes nettoyé.</li> </ol>	<p><i>N'utilisez pas de nettoyeurs abrasifs ni de tampons à récurer, car ils pourraient endommager le revêtement.</i></p>
<b>Cadre noir du gril et de la plaque de cuisson</b>	<ol style="list-style-type: none"> <li>1 Faites ramollir toute tache tenace à l'aide d'un chiffon imbibé d'eau chaude savonneuse.</li> <li>2 Nettoyez à l'aide d'une solution de détergent doux et d'eau chaude, puis essuyez avec un chiffon à microfibres.</li> </ol>	<ul style="list-style-type: none"> <li>■ <i>Ne soulevez pas le cadre noir de la plaque de cuisson hors de la table de cuisson.</i></li> <li>■ <i>N'utilisez pas de nettoyeurs ou tampons à récurer abrasifs, car ils pourraient endommager le revêtement.</i></li> </ul>
<b>Anneau de wok (non fourni, acheté séparément)</b>	<ol style="list-style-type: none"> <li>1 Pour éliminer les taches tenaces, faites tremper le wok dans un mélange de savon pour le linge et d'eau.</li> <li>2 Lavez dans un mélange de savon à vaisselle et d'eau chaude, puis rincez et laissez sécher.</li> </ol> <ul style="list-style-type: none"> <li>■ Vous pouvez également mettre l'anneau de wok au lave-vaisselle.</li> </ul>	

## Retrait et remplacement de la porte du four

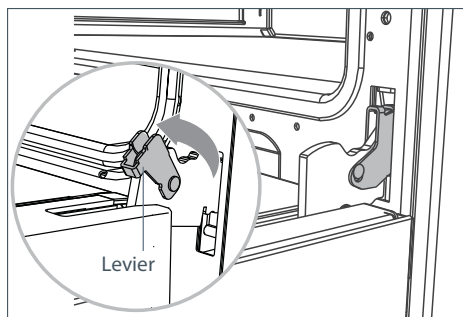
### **Important!**

- *Ne soulevez pas la porte du four par sa poignée. Ce faisant, vous pourriez endommager la porte.*
- *Assurez-vous que le four et la porte sont refroidis avant de commencer à retirer la porte.*
- *Avant de retirer la porte, assurez-vous de pouvoir la déposer sur une grande surface protégée de la cuisine.*
- *Attention, la porte est lourde!*

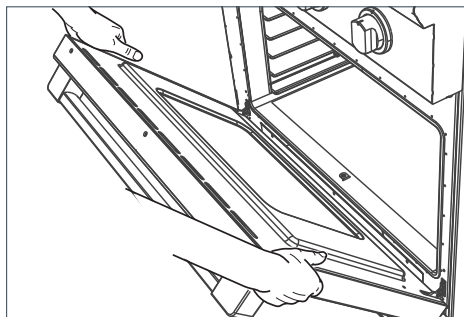
Pour retirer la porte du four



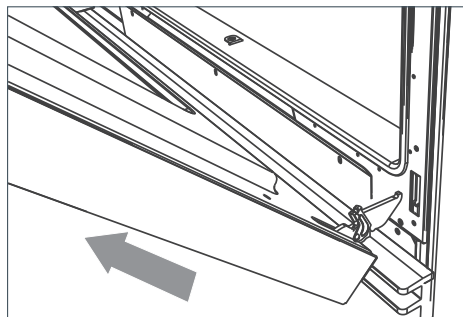
- 1 Ouvrez complètement la porte.



- 2 Ouvrez complètement les leviers des deux côtés.

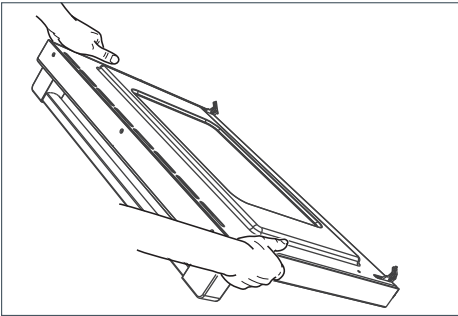


- 3 En maintenant solidement la porte par ses deux côtés, fermez-la d'environ la moitié de sa course.

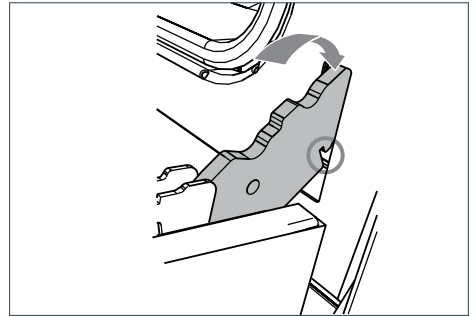


- 4 Désengagez les charnières et retirez la porte. Placez sur une surface protégée.

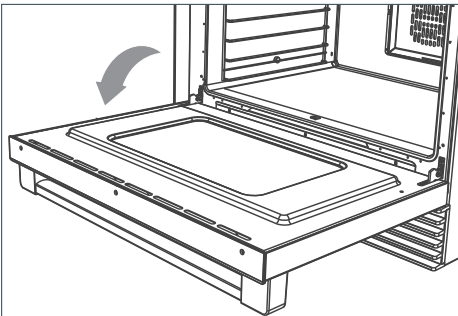
### Pour replacer la porte du four



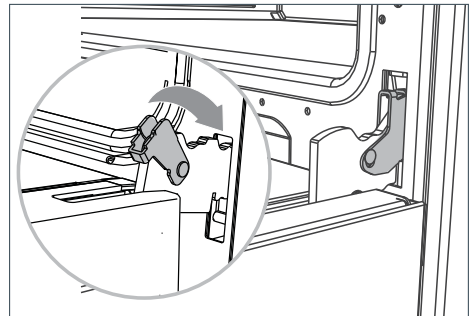
- 1 Maintenez fermement la porte en position à demi ouverte.



- 2 Insérez les languettes de charnières dans les fentes, en vous assurant que les encoches des deux côtés tombent en place tel qu'illustré.



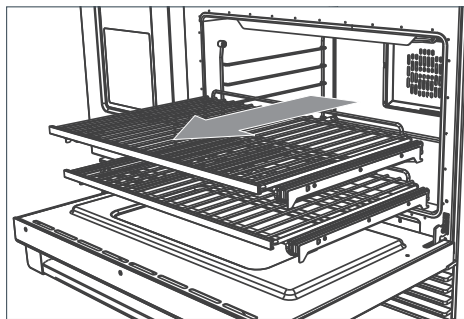
- 3 Ouvrez complètement la porte.



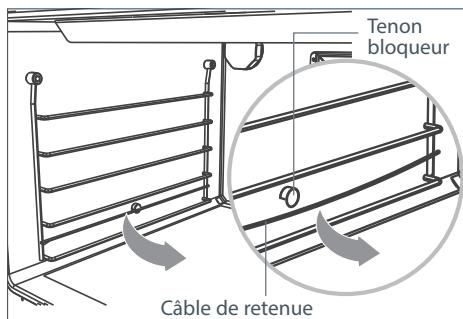
- 4 Fermez entièrement les leviers des charnières de gauche et de droite, tel qu'illustré, puis refermez la porte.

## Retrait et remplacement des rayons latéraux

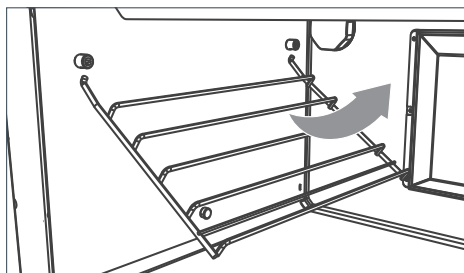
### Pour retirer les rayons latéraux



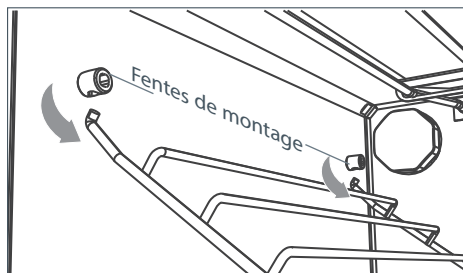
- 1 Retirez d'abord les grilles. Consultez la section « Positionner les grilles » pour les instructions.



- 2 Tirez délicatement le câble de retenue hors du tenon bloqueur. Le câble de retenue se dégagera d'un coup.

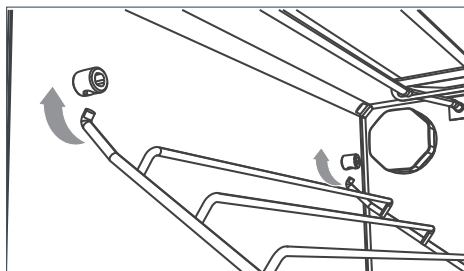


- 3 Pivotez le fond du rayon latéral vers le centre du four jusqu'à ce qu'il ait atteint une position presque horizontale.

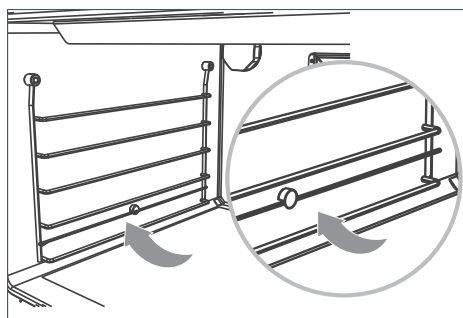


- 4 Glissez les broches de la partie supérieure hors des fentes de montage.

### Pour remplacer les rayons latéraux



- 1 En supportant le dessous du rayon latéral avec la main, maintenez-le dans une position presque horizontale et localisez les broches des fentes de montage.

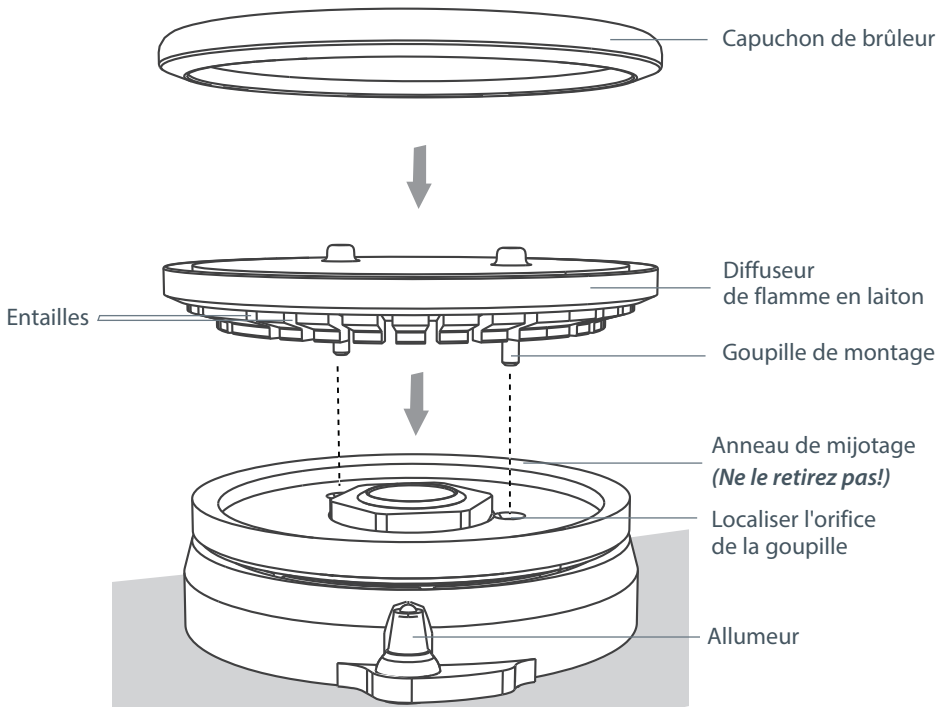


- 2 Veillez à ce que les broches soient complètement insérées dans les fentes, puis abaissez soigneusement le rayon latéral et poussez le fil métallique de retenue sous le tenon bloqueur.

## Remplacement des pièces du brûleur

**Important!**

Lorsque vous remplacez les brûleurs, n'oubliez pas de vous assurer que les deux goupilles de montage de la partie inférieure du diffuseur de flamme en laiton sont correctement alignées avec leurs orifices dans la partie supérieure de l'anneau de mijotage. Un alignement incorrect produira une flamme potentiellement dangereuse et une médiocre performance du brûleur.



## Remplacement de l'ampoule du four

### **Important!**

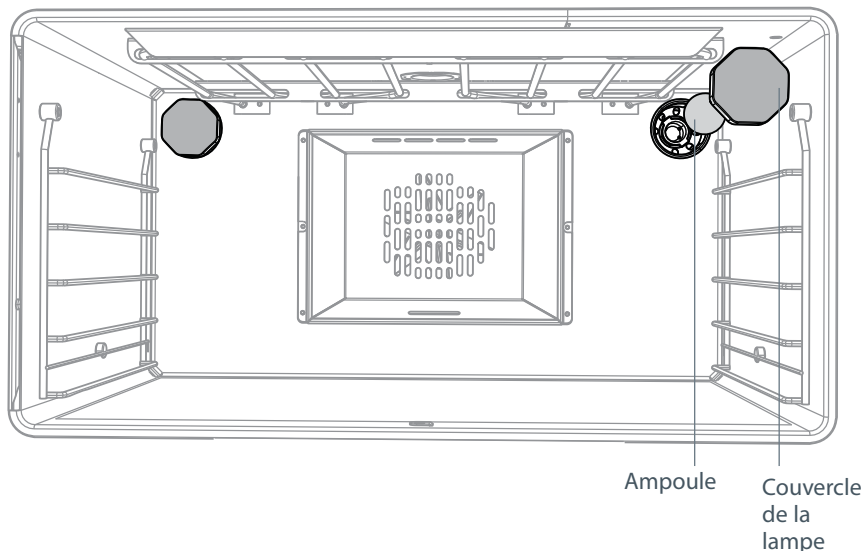
*Utilisez une ampoule d'électroménager de 40 W, 120 V. N'utilisez jamais une ampoule standard dans un four, car la chaleur la ferait éclater.*

- 1 Laissez le four (y compris le couvercle de lampe et l'ampoule) refroidir complètement.
- 2 Retirez les grilles qui nuisent à votre mouvement.
- 3 Retirez la porte si vous jugez que l'ampoule sera difficile d'atteinte.
- 4 Coupez l'alimentation à la cuisinière au niveau du fusible principal ou sur le tableau des disjoncteurs. Si vous ne savez pas comment faire, contactez un électricien.

### **Important!**

*Ne pas débrancher la cuisinière de l'alimentation électrique pourrait provoquer un décharge électrique.*

- 5 Retirez le couvercle de la lampe : tournez-le dans le sens antihoraire pour le dévisser.
- 6 Retirez l'ampoule défectueuse et remplacez-la par une nouvelle ampoule pour électroménager de 40 W.
- 7 Remplacez le couvercle de lampe : tournez-le dans le sens horaire pour le serrer.
- 8 Remettez l'alimentation à la cuisinière au niveau du fusible principal ou sur le tableau des disjoncteurs.





## Utilisation du cycle de nettoyage

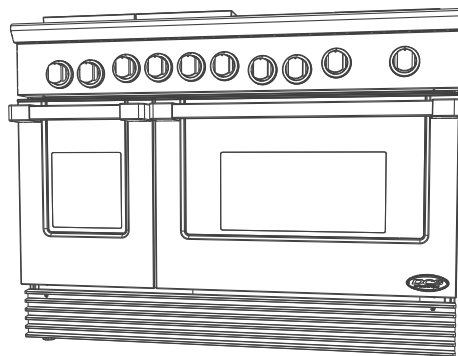
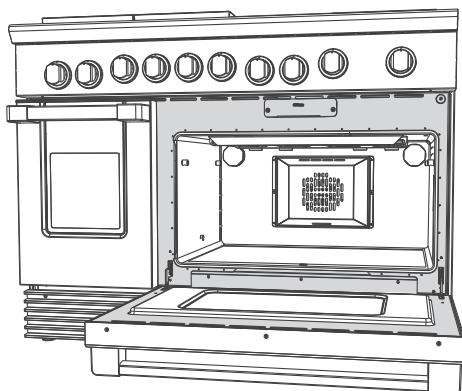
### À propos du cycle de nettoyage

- Le four principal des modèles RDU/RDV et RGUC/RGVC est équipé d'un cycle auto-nettoyant (**CLEAN**) qui s'occupe à votre place des souillures et de la saleté traditionnellement associées au nettoyage du four. Durant le cycle de nettoyage automatique, le four atteint des températures très élevées. C'est ce qui fractionne et incinère les particules alimentaires et dépôts de graisse. Tout ce qui reste à la fin, c'est une cavité de four propre avec un peu de cendre grise que vous pourrez facilement retirer.
- Un cycle de nettoyage dure environ **5 heures plus un temps additionnel de refroidissement de jusqu'à 30 minutes (ceci peut varier)**. Durant un cycle de nettoyage, la porte du four sera verrouillée et seuls les brûleurs de la table de cuisson pourront être utilisés. Le four secondaire, le gril de cuisson et la plaque de cuisson ne peuvent pas fonctionner.
- Le cycle de nettoyage est conçu pour nettoyer l'intérieur du four et la portion de la porte exposée à l'intérieur du four. Le rebord extérieur de la porte et le cadre du four devront être lavés à la main.
- Durant le cycle de nettoyage, vous apercevrez peut-être un rougeoiement occasionnel dans le four; il est causé par la saleté incinérée, en particulier si le four était très sale. C'est normal. Toutefois, si un excès de fumée ou des flammes apparaissent dans le four, annulez le cycle, attendez que le four soit complètement refroidi puis essuyez l'excès de particules alimentaires. Consultez la section « Pour annuler un cycle de nettoyage »

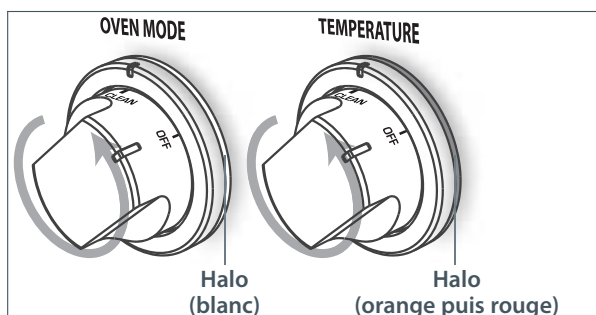
### **Important!**

- *N'utilisez jamais de nettoyants pour le four, de dégraissants ou de doublures de four dans un four auto-nettoyant.*
- *Si la porte du four présente des fissures ou des défauts, si le joint d'étanchéité du four est endommagé, raide ou usé, ou si la porte ne se ferme pas correctement ne démarrez pas le cycle de nettoyage. Contactez votre Centre de service autorisé ou le Service à la clientèle.*
- *N'oubliez pas de retirer les rayons latéraux, les grilles de four, le ramasse-gouttes et tout autre ustensile de cuisson du four avant de démarrer le cycle de nettoyage. S'ils sont laissés dans le four, ils pourraient se décolorer ou s'endommager; les articles faits de matériaux combustibles (par ex. bois, tissu, plastique) pourraient même prendre feu.*
- *N'utilisez pas votre four pour nettoyer des pièces diverses.*
- *Avant d'entamer un cycle de nettoyage, essuyez tout déversement ou dépôt de graisse et éliminez toutes les particules alimentaires libres. Ne pas vous conformer à cette consigne pourrait décolorer les surfaces du four et causer un excès de fumée durant le cycle.*
- *Avant d'entamer un cycle de nettoyage, sortez de la pièce les oiseaux ou autres animaux de compagnie pour les placer dans une pièce fermée et bien aérée. Certains oiseaux de compagnie sont extrêmement sensibles à la fumée dégagée lors d'un cycle d'auto-nettoyage, et risquent de mourir s'ils restent dans la même pièce que le four durant un tel cycle.*
- *Assurez-vous que la pièce est bien aérée durant le cycle de nettoyage. Démarrez la hotte de ventilation de la cuisinière au maximum et laissez-la fonctionner pour toute la durée du cycle.*
- *Durant un cycle de nettoyage, le four atteint des températures plus élevées que lors de la cuisson d'aliments. Dans de telles conditions, les surfaces pourraient devenir plus chaudes qu'à la normale; gardez les enfants à l'écart.*

## Pour démarrer un cycle de nettoyage



- 1 Retirez les grilles du four, les rayons latéraux et tous les autres accessoires, ustensiles de cuisson et autres. Consultez les sections « Retrait et remplacement des rayons latéraux » et « Positionnement des grilles » pour les instructions.
- 2 Essuyez tout déversement ou dépôt de graisse et lavez toute particule alimentaire libre. Ne pas vous conformer à cette consigne pourrait décolorer les surfaces du four et causer un excès de fumée durant le cycle.
- 3 Assurez-vous que les couvercles de lampe sont en place.
- 4 Si le cadre du four ou le rebord extérieur de l'intérieur de la porte sont sales (les zones ombrées illustrées ci-dessus), nettoyez-les à l'aide d'un tampon non abrasif imbibé de savon, puis essuyez-les avec un chiffon humide et propre.
- 5 Fermez complètement la porte du four.
- 6 Démarrez la hotte de ventilation de la cuisinière au maximum et laissez-la fonctionner pour toute la durée du cycle.

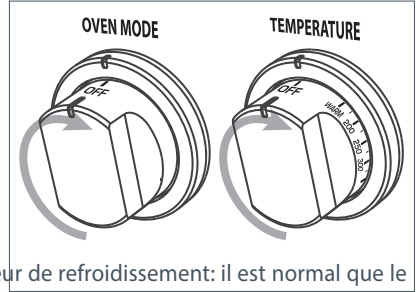


- 7 Tournez le bouton de mode d'utilisation du four dans le sens antihoraire à la position **CLEAN**.
  - Son halo deviendra blanc et la porte du four se verrouillera.
  - Pour votre propre sécurité, la porte demeurera verrouillée pendant toute la durée du cycle et même après le cycle, jusqu'à ce que le four se soit refroidi à une température de cuisson.
- 8 Tournez le bouton de température dans le sens antihoraire jusqu'à la position **CLEAN**.
  - Son halo apparaîtra d'abord en orange, puis tournera au rouge durant le cycle. Il s'éteindra lorsque le cycle est terminé.

## Lorsqu'un cycle de nettoyage est terminé

Le halo autour du bouton de température s'éteint. Vous devez alors :

- 1 Tournez les boutons de mode d'utilisation du four et de température dans le sens horaire jusqu'à la position **OFF**.
- La porte peut rester verrouillée. Une fois le four refroidi jusqu'à une température de cuisson (ceci peut prendre à 30 minutes), la porte se déverrouillera automatiquement.
- Vous pouvez continuer à entendre le bruit du ventilateur de refroidissement: il est normal que le ventilateur reste en marche.



### Important!

*Ne coupez pas l'alimentation à la cuisinière au niveau du tableau des disjoncteurs. Le ventilateur de refroidissement est indispensable au refroidissement du four. Déconnecter la cuisinière de la prise d'alimentation alors que le four est trop chaud pourrait endommager le four et les armoires qui l'entourent.*

- 2 Attendez que la porte de four se déverrouille automatiquement (jusqu'à 30 minutes).
- 3 Une fois la porte déverrouillée, attendez que le four soit complètement refroidi.

### Important!

*Le four est toujours à température de cuisson lorsque la porte se déverrouille. Tenez-en compte.*

- 4 Retirez toute trace de cendre grise du four à l'aide d'une petite brosse ou d'un chiffon humide.
- 5 Essuyez le four à l'aide d'un chiffon humide et séchez avec un chiffon non-pelucheux.
- 6 Remplacez les rayons latéraux et les grilles. Consultez les sections « Retrait et remplacement des rayons latéraux » et « Positionnement des grilles » pour les instructions.

## Pour annuler un cycle de nettoyage

- 1 Tournez les boutons de mode d'utilisation du four et de température dans le sens horaire jusqu'à la position **OFF**.
- La porte peut rester verrouillée. Une fois le four refroidi jusqu'à une température de cuisson (ceci peut prendre à 30 minutes, selon l'étape de cycle quand annulé), la porte se déverrouillera automatiquement.
- Vous pouvez continuer à entendre le bruit du ventilateur de refroidissement: il est normal que le ventilateur reste en marche.

### Important!

*Ne coupez pas l'alimentation à la cuisinière au niveau du tableau des disjoncteurs. Le ventilateur de refroidissement est indispensable au refroidissement du four. Déconnecter la cuisinière de la prise d'alimentation alors que le four est trop chaud pourrait endommager le four et les armoires qui l'entourent.*

- 2 Attendez que la porte de four se déverrouille automatiquement (jusqu'à 30 minutes).
- 3 Une fois la porte déverrouillée, attendez que le four soit complètement refroidi.

### Important!

*Le four est toujours à température de cuisson lorsque la porte se déverrouille. Tenez-en compte.*

- 4 Au besoin, essuyez toute accumulation de particules alimentaires à l'intérieur du four.
- Nous ne recommandons pas d'annuler le cycle de nettoyage, puis d'en redémarrer immédiatement un autre.

# Dépistage des pannes

Si vous ne trouvez pas de réponse à votre problème dans le tableau ci-dessous, ou si le problème ne peut pas être réparé, vous aurez besoin de l'aide d'un technicien. Contactez votre Centre de service autorisé ou le Service à la clientèle.

Problème	Causes possibles	Solutions
<b>Four</b>		
<b>Le four ne fonctionne pas (pas de chauffage).</b>	Pas d'alimentation électrique (la lumière du four et les halos ne s'allument pas non plus).	Vérifiez si le disjoncteur s'est déclenché et assurez-vous qu'il ne s'agit pas d'une panne de secteur. S'il y a une panne de secteur, vous ne pourrez pas utiliser le four jusqu'à ce que l'alimentation ait été restaurée.
	Pas d'alimentation en gaz (pour les fours au gaz).	L'alimentation à la maison pourrait être en panne ou hors fonction. Contactez votre fournisseur local de gaz.
<b>L'une des ampoules du four ne s'allume pas, mais le four fonctionne.</b>	L'ampoule est desserrée.	Consultez les instructions « Remplacement d'une ampoule de four » dans le chapitre « Entretien et nettoyage ». Au lieu de remplacer l'ampoule, assurez-vous qu'elle est solidement logée dans sa douille.
	L'ampoule est brûlée.	Remplacez l'ampoule. Consultez la section « Remplacement de l'ampoule du four » sous le chapitre « Entretien et nettoyage ».
<b>Il y a une panne de courant — puis-je utiliser le four?</b>	Panne de courant dans votre maison ou votre voisinage.	Le four ne peut pas être utilisé jusqu'à ce que le courant soit rétabli.

Problème	Causes possibles	Solutions
<b>Four</b>		
<b>Condensation autour du four (par ex. sur le panneau de commande ou le haut de la porte du four.)</b>	Les aliments contiennent beaucoup d'humidité ou le climat local (température, humidité) contribue à la condensation.	La condensation est normale. Vous pouvez essayer les gouttes du panneau de commande. Si la condensation est fréquente ou excessive, veillez à ce que les armoires qui entourent la cuisinière soient protégées contre l'humidité.
<b>De la vapeur s'échappe des événements d'aération du four à l'arrière de la cuisinière.</b>	L'humidité des aliments s'échappe durant la cuisson.	C'est normal, en particulier si vous faites la cuisson de grandes quantités d'aliments dans le four en utilisant un mode à CONVECTION.
<b>Bruit de ventilateur et air de ventilation chaud s'échappent de la cuisinière durant et après un cycle de nettoyage.</b>	La cuisinière comporte un ventilateur de refroidissement qui veille à prévenir une surchauffe de la porte de four et du panneau de commande.	C'est normal et aucune action correctrice n'est nécessaire.
<b>Un rougeoiement occasionnel et bref apparaît dans le four durant un cycle de nettoyage.</b>	C'est la grosse saleté qui est incinérée.	C'est normal et aucune action correctrice n'est nécessaire.
<b>De la fumée et/ou des flammes apparaissent dans le four durant un cycle de nettoyage.</b>	Matières combustibles (par exemple une planche en bois ou un ustensile de cuisson) ou aliments séchés laissés dans le four.	Suivez les instructions de la section « Pour annuler un cycle de nettoyage » sous le chapitre « Entretien et nettoyage ».  <b>Important!</b> <b>Ne débranchez pas la cuisinière de l'alimentation électrique au niveau du disjoncteur. Le ventilateur de refroidissement est indispensable au refroidissement de la cuisinière.</b>

Problème	Causes possibles	Solutions
<b>Four</b>		
<b>La porte du four ne s'ouvre pas.</b>	La porte est verrouillée parce qu'un cycle de nettoyage est en cours ou le four ne s'est pas encore refroidi à une température de cuisson après un cycle de nettoyage.	Consultez la section « Utilisation du cycle de nettoyage » sous le chapitre « Entretien et nettoyage » pour de plus amples détails.
<b>Le halo autour du bouton de température du four alterne entre l'orange et le rouge durant l'utilisation.</b>	Le four doit chauffer périodiquement (orange) pour maintenir la température programmée.	C'est normal.
<b>Le ventilateur à convection ne se met pas en marche en mode CONVECTION.</b>	Défaillance technique.	Contactez votre Centre de service autorisé ou le Service à la clientèle.
<b>Cuisson inégale.</b>	Le four n'était pas correctement préchauffé.	Attendez que le halo autour du bouton de température soit passé de l'orange au rouge avant de mettre les aliments dans le four.
	Les ustensiles de cuisson sont inadéquats ou incorrectement placés.	Consultez la section « Directives de cuisson au four » pour de plus amples détails.
<b>Brûleur de la table de cuisson</b>		
<b>Aucun des brûleurs, grill de cuisson ou plaque ne s'allume</b>	Pas d'alimentation électrique.	Vérifiez qu'il ne s'agit pas d'une panne de secteur dans votre quartier et que l'alimentation électrique est activée sur le tableau des disjoncteurs.
	Pas de gaz.	Vérifiez si l'alimentation de gaz à la maison fonctionne. Vous devriez entendre le gaz s'écouler lorsqu'un brûleur est allumé. Si vous utilisez du gaz en bonbonne, vérifiez si elle n'est pas vide.

Problème	Causes possibles	Solutions
<b>Brûleur de la table de cuisson</b>		
<p><b>Certains brûleurs ne s'allument pas.</b></p> <p><b>Les flammes ne font pas le tour du capuchon de brûleur.</b></p>	<p>Les pièces ou allumeurs des brûleurs sont peut-être mouillés, sales ou mal alignés.</p>	<p>Vérifiez que toutes les pièces du brûleur sont propres, sèches et correctement assemblées. Vérifiez que les allumeurs sont propres et secs. Consultez le chapitre « Entretien et nettoyage » pour les instructions.</p>
<p><b>Il n'y a pas de cliquetis lorsque j'essaie d'allumer un brûleur.</b></p>	<p>L'allumeur est sale ou il y a une panne de courant.</p>	<p>Nettoyez les allumeurs. Consultez le chapitre « Entretien et nettoyage » pour les instructions.</p>
<p><b>Il y a une panne de courant — puis-je utiliser les brûleurs de la table de cuisson?</b></p>	<p>Il y a une panne de courant dans votre quartier.</p>	<p>Les brûleurs de la table de cuisson peuvent tout de même être utilisés. Pour les allumer :</p> <ol style="list-style-type: none"> <li>Maintenez une allumette allumée sur le diffuseur de flamme, poussez le bouton de commande et tournez-le dans le sens antihoraire jusqu'à la position <b>LITE</b>.</li> <li>Lorsque la flamme fait le tour du brûleur, vous pouvez ajuster la chaleur.</li> </ol> <p><b>Important!</b>  <i>Si la flamme est soufflée durant une panne de courant, tournez immédiatement le bouton à la position OFF car il ne se rallumerait pas automatiquement et du gaz pourrait s'en échapper.</i></p>
<p><b>Les flammes se sont éteintes subitement.</b></p>	<p>Un courant d'air ou un déversement a éteint la flamme.</p>	<p>Aucune mesure n'est requise. Le brûleur le détectera et se rallumera automatiquement. Toutefois, si le déversement est important, nous recommandons d'éteindre les brûleurs et de nettoyer la zone de la cuvette et les brûleurs. Consultez le chapitre « Entretien et nettoyage » pour des instructions.</p>
<p><b>Un léger « pop » ou un éclair apparaît une fois le brûleur éteint.</b></p>		<p>C'est normal lorsqu'on utilise du gaz GPL et aucune mesure n'est requise.</p>

Problème	Causes possibles	Solutions
<b>Brûleur de la table de cuisson</b>		
<b>Les flammes du brûleur sont irrégulières très grandes, jaunes ou jaunes à la pointe ou elles sont poudreuses.</b>	Faute technique : le gaz n'est pas du mauvais type ou n'a pas été correctement réglé.	N'utilisez pas vos brûleurs. Contactez votre centre de service autorisé ou le Service à la clientèle.
<b>L'allumeur continue à cliquer (fait des étincelles en continu) même si le brûleur est allumé.</b>	Allumeurs sales ou humides.	Nettoyez les allumeurs. Consultez le chapitre « Entretien et nettoyage » pour les instructions.
<b>Plaque de cuisson</b>		
<b>La surface est décolorée par plaques.</b>	Les huiles ont cuit à la surface à cause d'un usage répété.	C'est normal et cela n'affecte en rien les performances de cuisson.
<b>Il y a une panne de courant — puis-je utiliser la plaque de cuisson?</b>	Panne de courant dans votre maison ou quartier.	La plaque chauffante ne peut pas être utilisée jusqu'à ce que le courant soit rétabli.
<b>Poignée du grill</b>		
<b>Flambées pendant la cuisson.</b>	Coupes de viandes grasses.	Des flambées mineures sont normales. Pour les minimiser, éliminez l'excès de gras de la viande avant la cuisson.
	La grille du grill n'est pas positionnée correctement; la graisse coule dans le plateau de rayonnement plutôt que dans le ramasse-gouttes.	Éteignez le grill, attendez qu'il refroidisse, puis positionnez-le correctement. Consultez la section « Utilisation du grill de cuisson » pour des instructions et des illustrations.
<b>Il y a une panne de courant — puis-je utiliser le grill de cuisson?</b>	Panne de courant dans votre maison ou quartier.	Le grill de cuisson ne peut pas être utilisé jusqu'à ce que le courant soit rétabli.



## Avant d'appeler pour demander une réparation ou de l'assistance...

Vérifiez les points que vous pouvez contrôler vous-même. Consultez les instructions d'installation et le guide de l'utilisateur pour vous assurer que :

- 1 votre produit est installé correctement.
- 2 vous êtes familier avec son fonctionnement normal.

Si après la vérification de ces points, vous avez toujours besoin d'assistance ou d'une réparation, reportez-vous au livret de service et de garantie pour obtenir les détails sur la garantie et les coordonnées d'un Centre de service autorisé, ou contactez-nous par l'entremise de notre site Web, à l'adresse [www.dcsappliances.com](http://www.dcsappliances.com).

## Détails de contact

Pour les pièces de remplacement ou si vous avez besoin d'aide supplémentaire concernant cet appareil, composez le numéro :

**sans frais** 1 888 936 7872

ou écrivez à :

**Fisher & Paykel Appliances Inc.**  
Road 5900 Skylab  
Huntington Beach, CA 92647  
USA

ou contactez-nous via notre site web, [www.dcsappliances.com](http://www.dcsappliances.com)

## Informations sur le produit

Modèle n° \_\_\_\_\_ N° de série \_\_\_\_\_

Date d'achat \_\_\_\_\_ Acheteur \_\_\_\_\_

Détaillant \_\_\_\_\_ Banlieue \_\_\_\_\_

Ville \_\_\_\_\_ Pays \_\_\_\_\_





[www.dcsappliances.com](http://www.dcsappliances.com)



Copyright © Fisher & Paykel 2014. All rights reserved.

The product specifications in this booklet apply to the specific products and models described at the date of issue. Under our policy of continuous product improvement, these specifications may change at any time. You should therefore check with your Dealer to ensure this booklet correctly describes the product currently available.

**Droits réservés © Fisher & Paykel 2014.**

Les spécifications du produit contenues dans ce manuel s'appliquent aux modèles et produits spécifiques comme décrits à la date de publication.

Dans le cadre de notre politique d'améliorations en permanence de nos produits, ces spécifications pourront être modifiées à tout moment. Nous vous recommandons de vérifier auprès de votre revendeur que ce manuel décrit le produit actuellement disponible.

## Free Manuals Download Website

<http://myh66.com>

<http://usermanuals.us>

<http://www.somanuals.com>

<http://www.4manuals.cc>

<http://www.manual-lib.com>

<http://www.404manual.com>

<http://www.luxmanual.com>

<http://aubethermostatmanual.com>

Golf course search by state

<http://golfingnear.com>

Email search by domain

<http://emailbydomain.com>

Auto manuals search

<http://auto.somanuals.com>

TV manuals search

<http://tv.somanuals.com>