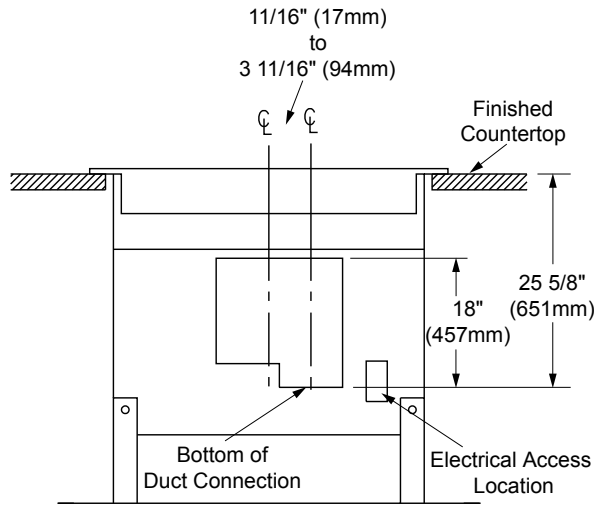
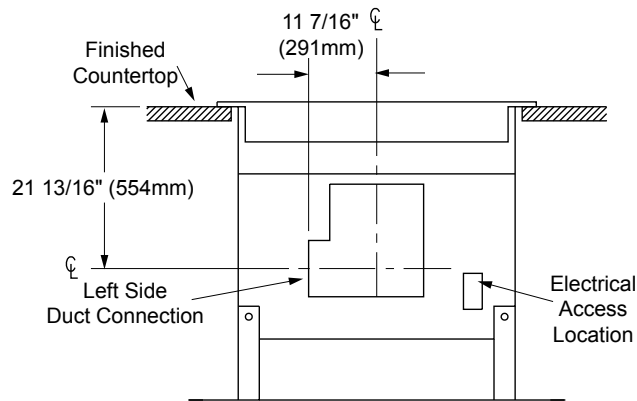


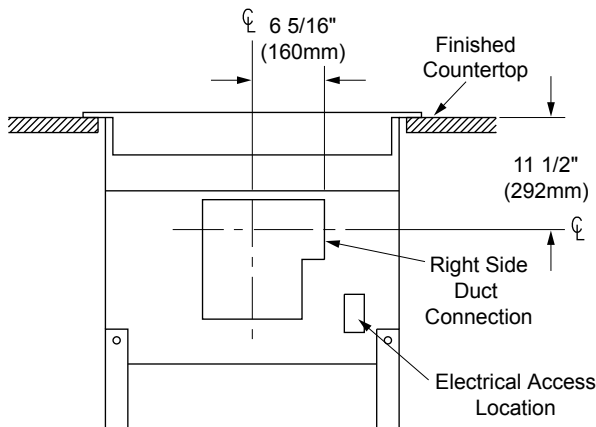
# CABP3



**CABP3 DUCTED DOWN**  
(inside Front Cabinet View)



**CABP3 DUCTED LEFT**  
(inside Front Cabinet View)



**CABP3 DUCTED RIGHT**  
(inside Front Cabinet View)

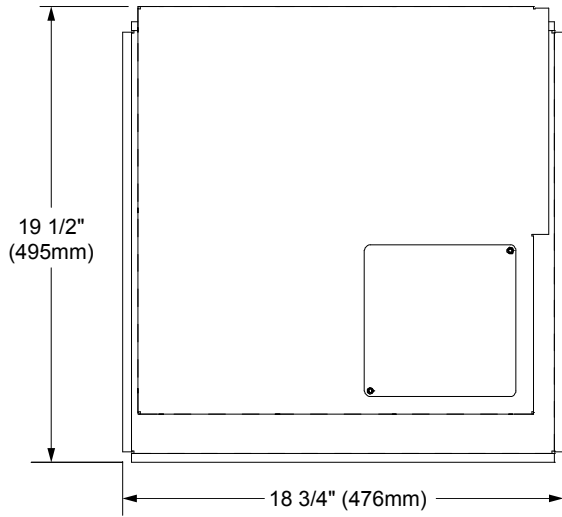


**NOTE:**

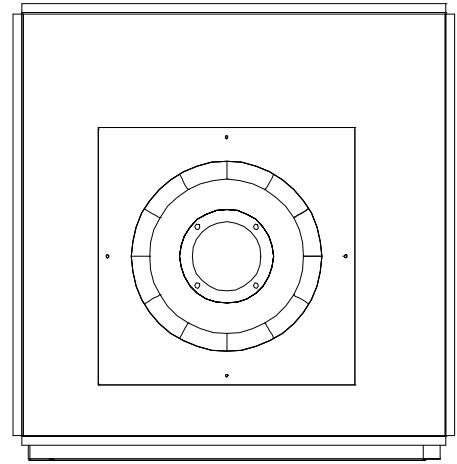
1. The CABP3 cabinet blower is not approved for use with ERV/PRV downdrafts.

Model No.	Dedicated Circuit Required	Maximum Duct Length	Total Connected Load	Blower Rating	Approximate Shipping Weight
CABP3	Refer to RV Specifications	Refer to Duct Planning Specifications	0.05kW (4A)	600 CFM	34 lbs.

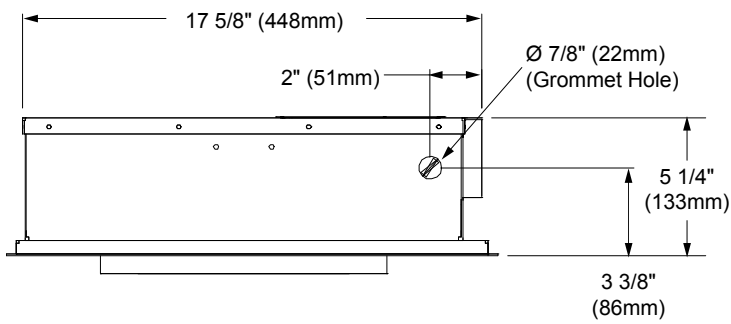
# CABP3



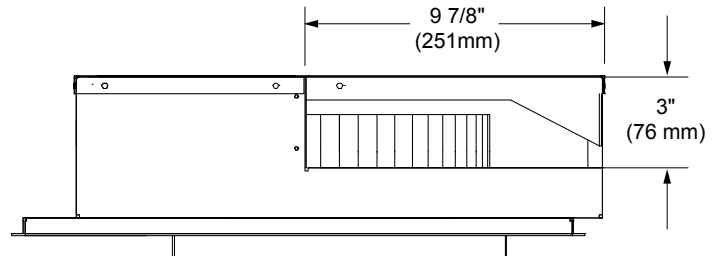
**TOP VIEW**



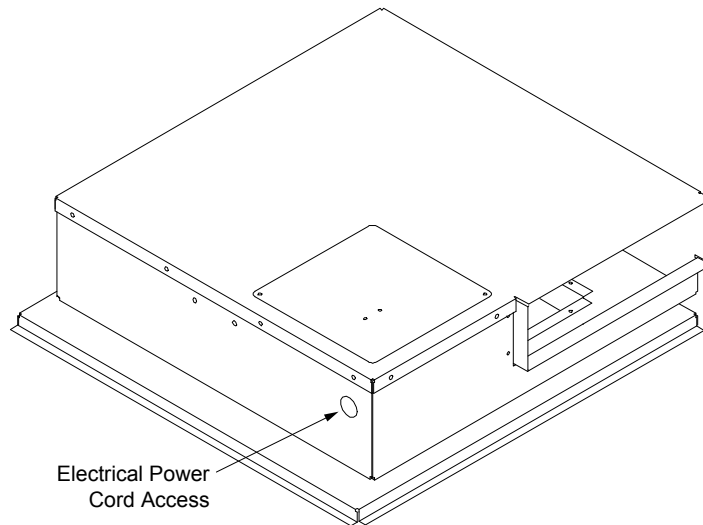
**BOTTOM VIEW**



**ELECTRICAL LOCATION SIDE VIEW**



**DUCT LOCATION SIDE VIEW**



**ISOMETRIC VIEW**

## Free Manuals Download Website

<http://myh66.com>

<http://usermanuals.us>

<http://www.somanuals.com>

<http://www.4manuals.cc>

<http://www.manual-lib.com>

<http://www.404manual.com>

<http://www.luxmanual.com>

<http://aubethermostatmanual.com>

Golf course search by state

<http://golfingnear.com>

Email search by domain

<http://emailbydomain.com>

Auto manuals search

<http://auto.somanuals.com>

TV manuals search

<http://tv.somanuals.com>