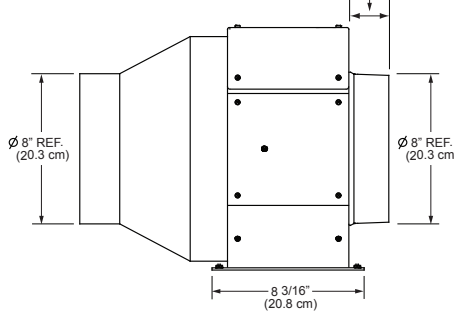
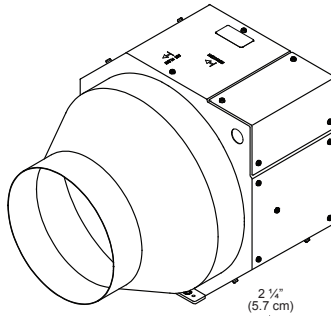
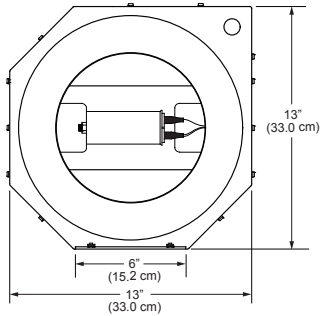
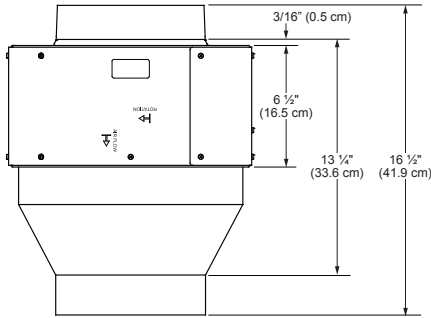
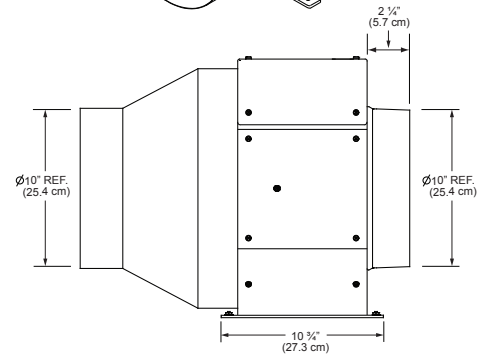
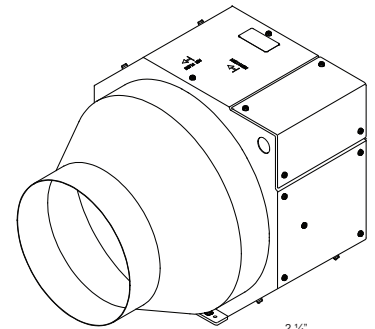
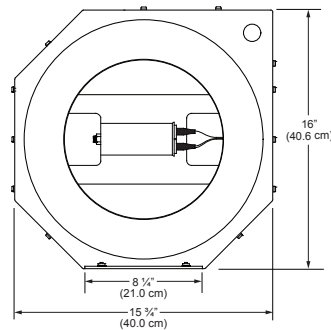
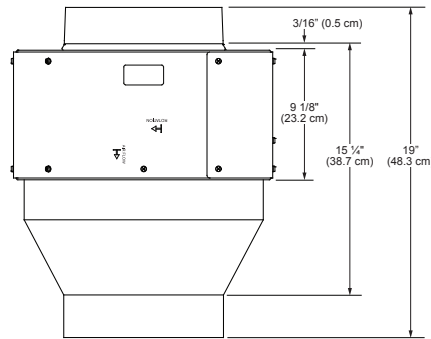


# ILHSF8, ILHSF10

All tolerances +1/16" -0 (+1.6 mm, 0) unless otherwise noted.



**ILHS8 OVERALL DIMENSIONS**



**ILHSF10 OVERALL DIMENSIONS**

**⚠ WARNING**

- ◇ Observe all governing codes and ordinances during planning and installation. Contact your local building department for further information.
- ◇ This appliance must be installed in accordance with the accompanying installation instructions.

# ILHSF8, ILHSF10

Model Number*	Power Requirements**	Blower Rating***
ILHSF8	120 Vac, 60 Hz, 3.5 Amp	600 CFM
ILHSF10	120 Vac, 60 Hz, 4.5 Amp	1200 CFM

- \* All models are thermally protectd  
 \*\* In addition to the hood or raised vent  
 \*\*\* At 0 inches static pressure

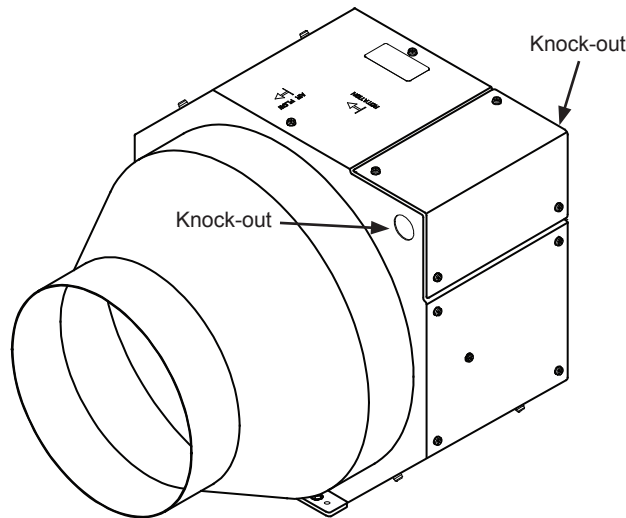
**⚠ WARNING**

To avoid the risk of fire due to the unit overheating:

- ◇ **DO NOT** install this blower with a hood or raised vent that has an internal blower.
- ◇ **DO NOT** install more than one blower to increase the length of the duct run. Even small differences between blower air flow rates can greatly reduce the air draw by the hood or raised vent.

**NOTE:**

- The above specifications are for reference only. See the data label on the blower for exact specifications. If the above specifications vary from the label on the blower, use the data on the blower label.



**ELECTRICAL ACCESS KNOCK-OUTS**

Model Number	Weight
ILHSF8	22 lbs. (10 kg.)
ILHSF10	31 lbs. (14 kg.)

## Free Manuals Download Website

<http://myh66.com>

<http://usermanuals.us>

<http://www.somanuals.com>

<http://www.4manuals.cc>

<http://www.manual-lib.com>

<http://www.404manual.com>

<http://www.luxmanual.com>

<http://aubethermostatmanual.com>

Golf course search by state

<http://golfingnear.com>

Email search by domain

<http://emailbydomain.com>

Auto manuals search

<http://auto.somanuals.com>

TV manuals search

<http://tv.somanuals.com>