

# DISHWASHER MODELS: EDWH24S, IDWH24, RDW24I and RDW24S



## Epicure® and Millennia® Style Handle Kits

## INSTALLATION INSTRUCTIONS

### Introduction

The handle included with this kit is designed for installation on the dishwasher models listed above:

- On models EDWH24S and RDW24S, the handle attaches directly to the front of dishwasher using mounting hardware that is already attached to the front of the dishwasher.
- On models IDWH24 and RDW24I, the included handle is designed to attach to glass panel kits APIDWPBK or APIDWPMV that fit on the front of the dishwasher door. The handle mounting hardware for this type of installation is included with the glass panel kit.

### Tools and Materials Required

The following items are not provided with the kit and are required for proper installation.

- 3/32" Allen wrench (not supplied)



**CAUTION:** To avoid damage to the dishwasher or handle components, do not use power tools. Use hand tools only for assembly.

### Parts Included

#### Epicure Style Handle Kits



#### ADWE24HCH (chrome):

Handle Part # 106909

#### ADWE24HB (black gloss):

Handle Part # 106909BG

#### Millennia Style Handle Kits



#### ADWM24H\* (Polished finish):

Handle Part # 106908

#### ARDWM24H (Brushed finish):

Handle Part # 105784

\* ADWM24H discontinued - subject to availability

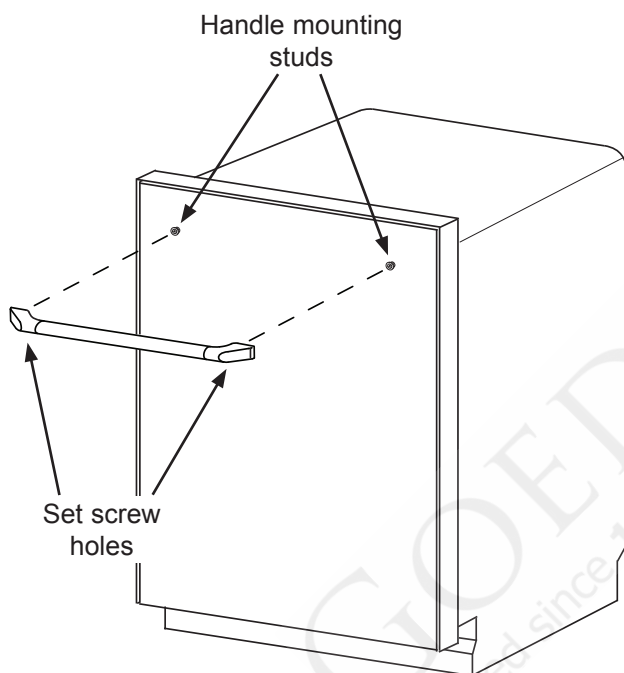
### Installation instructions on back

## Instructions

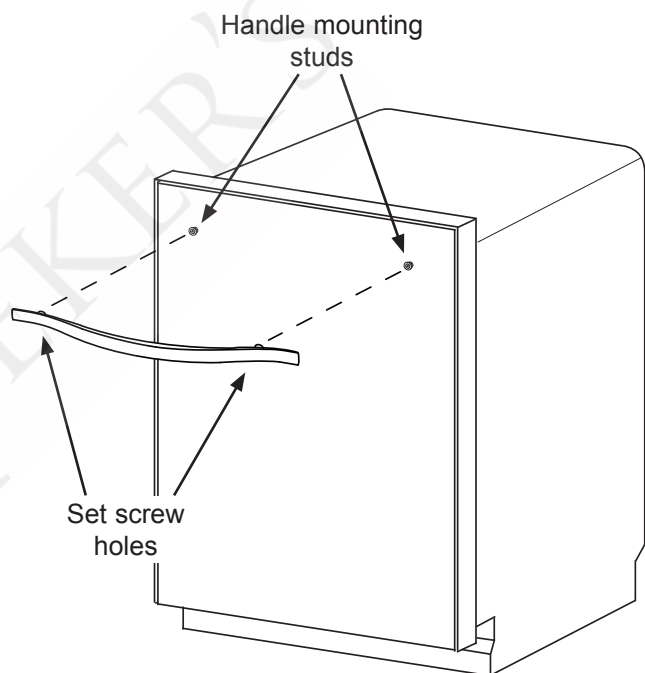
### IMPORTANT:

For dishwasher models IDWH24 and RDW24I with glass panel kit: Install this handle kit according to the instructions provided with the glass panel kit. For dishwasher models EDWH24S and RDW24S, see the instructions below.

**STEP 1** Place the handle on the front of the dishwasher. Slide the holes on the back over the handle mounting studs. Make sure the set screw holes on the handle are facing toward the bottom. You may need to loosen the set screws using a 3/32" Allen wrench to allow the handle to slide into place.



**Epicure Style Handle Installation**  
(ADWE24HCH/ADWE24HB)



**Millennia Style Handle Installation**  
(ADWM24H/ ARDWM24H)

**STEP 2** Carefully tighten the set screws into place using the 3/32" Allen wrench. Be careful not to scratch the finish.

**STEP 3** Check to make sure the handle is firmly attached.

**STEP 4** Open the door to make sure it stays open at any angle. If it tends to fall open or pull shut on its own, adjust the springs according to the dishwasher installation instructions.

**dacor**  
The Life of the Kitchen.®

## Free Manuals Download Website

<http://myh66.com>

<http://usermanuals.us>

<http://www.somanuals.com>

<http://www.4manuals.cc>

<http://www.manual-lib.com>

<http://www.404manual.com>

<http://www.luxmanual.com>

<http://aubethermostatmanual.com>

Golf course search by state

<http://golfingnear.com>

Email search by domain

<http://emailbydomain.com>

Auto manuals search

<http://auto.somanuals.com>

TV manuals search

<http://tv.somanuals.com>