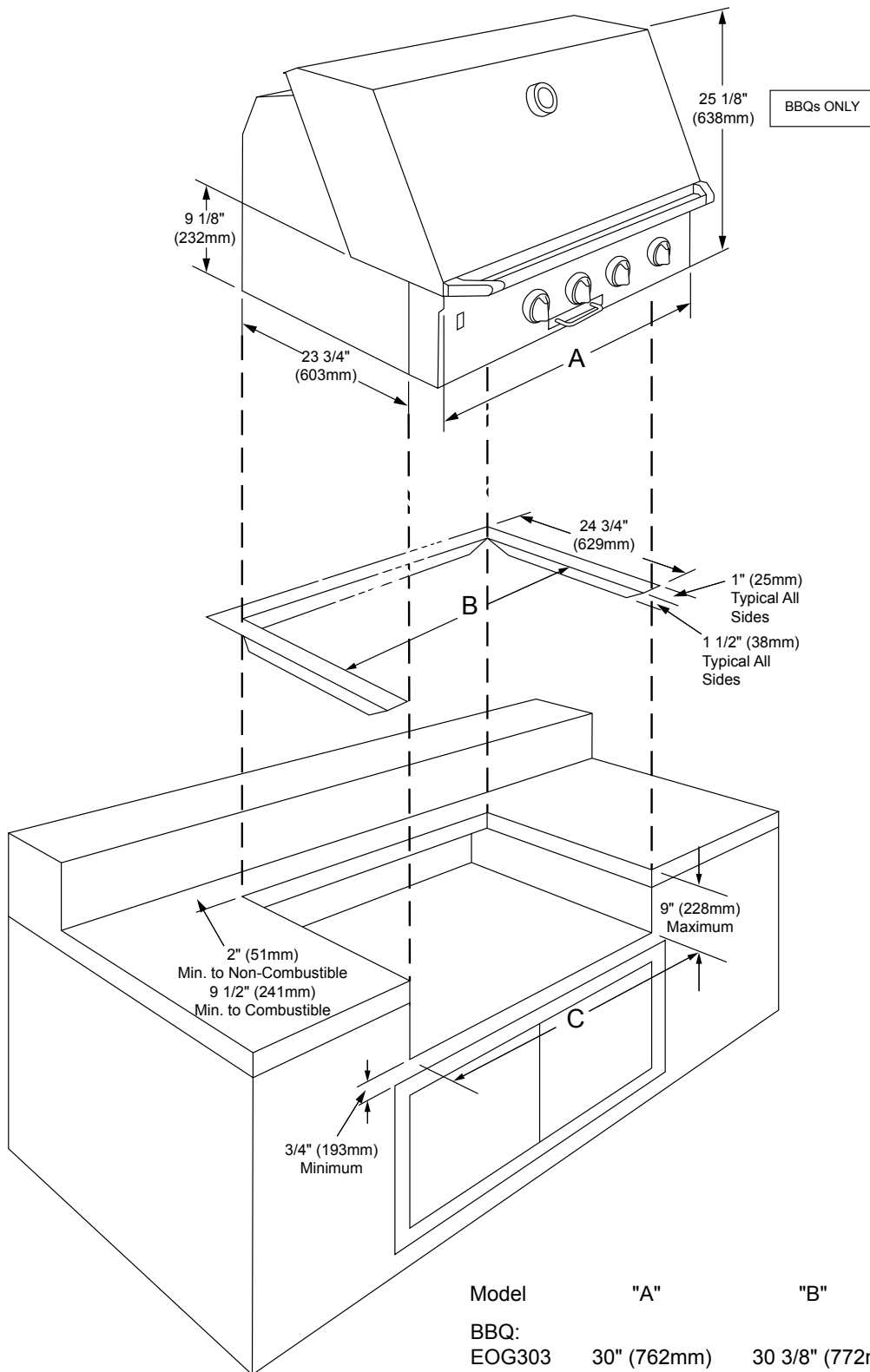




Installation Instructions

Outdoor Grill Trim Finish



Model	"A"	"B"	"C"
BBQ:			
EOG303	30" (762mm)	30 3/8" (772mm)	30 1/2" (775mm)
EOG36	36" (914mm)	36 3/8" (924mm)	36 1/2" (927mm)
EOG52	52" (1321mm)	52 3/8" (1330mm)	52 1/2" (1334mm)
Side Burner:			
EOSB162	16" (406mm)	16 1/16" (408mm)	16 1/8" (410mm)

Free Manuals Download Website

<http://myh66.com>

<http://usermanuals.us>

<http://www.somanuals.com>

<http://www.4manuals.cc>

<http://www.manual-lib.com>

<http://www.404manual.com>

<http://www.luxmanual.com>

<http://aubethermostatmanual.com>

Golf course search by state

<http://golfingnear.com>

Email search by domain

<http://emailbydomain.com>

Auto manuals search

<http://auto.somanuals.com>

TV manuals search

<http://tv.somanuals.com>