

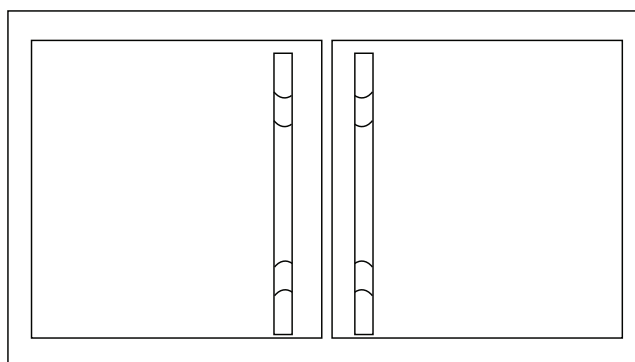
# Installation Instructions

## Outdoor Grill Accessory Doors

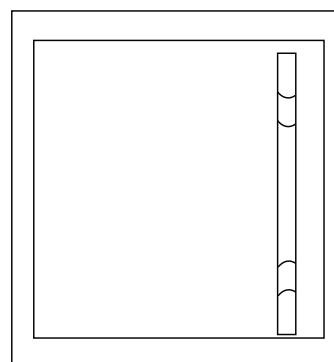


### NOTES:

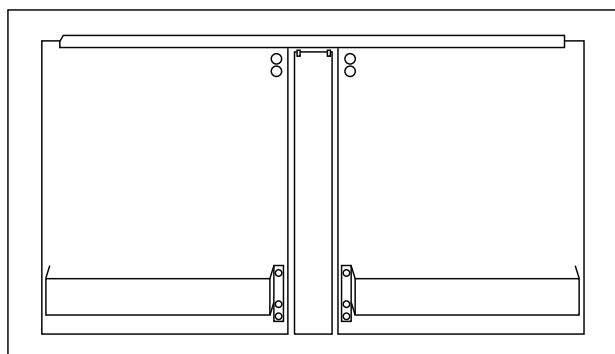
Remove the door from the mounting frame prior to installing the frame. Install the front frame utilizing the return flange mounting holes located on the left and right side of the frame. After the frame is in place, level, plumb and install the door. Check for correct latch alignment.



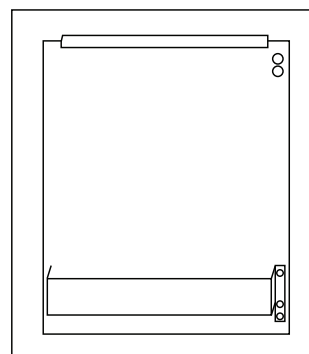
**Front View**  
(OBAD36 shown)



**Front View**  
(OBAD20 shown)



**Rear View**  
(OBAD36 shown)



**Rear View**  
(OBAD20 shown)

SPECIFICATIONS	MEASUREMENTS
Overall Width	OBAD20 - 19 1/2" (495mm) OBAD36 - 35 7/8" (911mm)
Overall Height	21" (533mm)
Overall Depth	1/4" (6mm) deep return on frame edge
Cutout Width	OBAD20 - 16 3/4" (425mm) OBAD36 - 33 1/8" (841mm)
Cutout Height	18 3/4" (476mm)
Cutout Depth	3" (76mm) Minimum

## Free Manuals Download Website

<http://myh66.com>

<http://usermanuals.us>

<http://www.somanuals.com>

<http://www.4manuals.cc>

<http://www.manual-lib.com>

<http://www.404manual.com>

<http://www.luxmanual.com>

<http://aubethermostatmanual.com>

Golf course search by state

<http://golfingnear.com>

Email search by domain

<http://emailbydomain.com>

Auto manuals search

<http://auto.somanuals.com>

TV manuals search

<http://tv.somanuals.com>