



Installation Instructions

Distinctive™ Range

Models: DR30D, DR30DH, DR30DI, DR30DIH, DR30D-C, DR30DH-C, DR30DI-C and DR30DIH-C

GOEDEKER'S
Trusted since 1951

**THIS APPLIANCE HAS BEEN TESTED IN ACCORDANCE WITH THE LATEST EDITIONS OF
UL858/CSA C22.2 NO. 61/ANSI Z21.1 STANDARDS FOR HOUSEHOLD COOKING APPLIANCES.**

Table of Contents

Important Safety Instructions	1	Installation Instructions	10
About Safety Instructions	1	Preparing for Installation	10
Safety Symbols in this Manual	1	Electrical Connection	14
General Safety Precautions	2	Gas Connection	18
Planning the Installation	3	Final Installation	18
Electrical Requirements	3	Cooktop Assembly	19
Gas Supply Requirements	4	Verifying Proper Operation	20
Electrical and Gas Supply Connections	4	Installation Checklist	20
Product Dimensions	5		
Cabinet Layout	6		
Self-Rimming Installation Without Raised Vent	7		
Self-Rimming Installation With Raised Vent	8		

IMPORTANT:

- **Installer:** In the interest of safety and to minimize problems, read these installation instructions completely and carefully before you begin the installation process. Leave these installation instructions with the customer.
- **Customer:** Keep these installation instructions for future reference and the local building inspector's use.

Customer Service Information

If you have questions or problems with installation, contact your Dacor dealer or the Dacor Customer Service Team. For repairs to Dacor appliances under warranty call the Dacor Distinctive Service line. Whenever you call, have the model and serial number of the appliance ready. The product model number and serial number label can be seen through the grill below the control panel, on the right side.

Dacor Customer Service

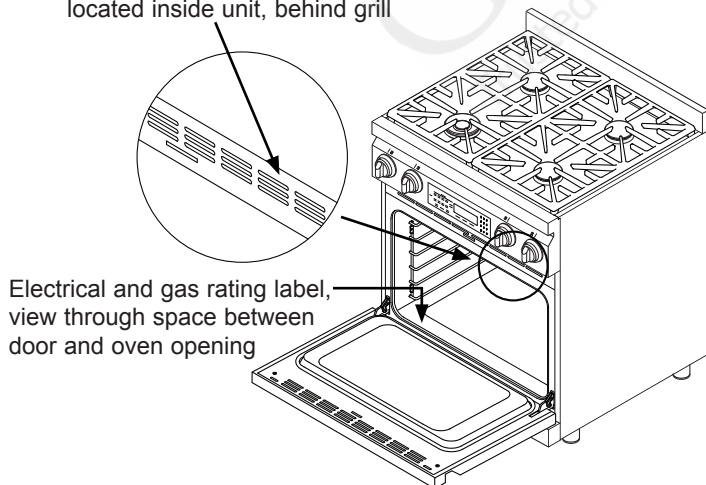
Phone: (800) 793-0093 ex. 2813 (U.S.A. and Canada)
Monday — Friday 6:00 A.M. to 5:00 P.M. Pacific Time

Web site: www.dacor.com

Dacor Distinctive Service (for repairs under warranty only)

Phone: (800) 793-0093 ex. 2822 (U.S.A. and Canada)
Monday — Friday 6:00 A.M. to 5:00 P.M. Pacific Time

Model/serial number label located inside unit, behind grill



Electrical and gas rating label, view through space between door and oven opening

Product Model/Serial Label and Rating Label Locations

Model Identification

DR30DIH-C/NG/H

SIZE (inches) _____

TRIM STYLE _____

 I = Self-rimming
 (3 1/4 inch side panels)

 No Character = Freestanding
 (full size side panels)

HANDLE TYPE _____

 H = External Handle

 No Character = Integral handle

COUNTRY CODE _____

 C = Equipped for use in Canada

 No Character = Equipped for use in U.S.A.

GAS TYPE _____

 NG = Natural Gas

 LP = Liquid Petroleum (Propane)

ALTITUDE _____

 H = Equipped for high altitude operation,
 4000 ft. (1219 m) and up

 No Character = Equipped for low altitude operation

All specifications subject to change without notice.
Dacor® assumes no liability for changes to specifications.

© 2010 Dacor, all rights reserved.

Important Safety Instructions

About Safety Instructions

The **Important Safety Instructions** and warnings in this manual are not meant to cover all possible problems and conditions that can occur. Use common sense and caution when installing, maintaining or operating this or any other appliance.

Always contact the Dacor Customer Service Team about problems and conditions that you do not understand.

Safety Symbols in this Manual

DANGER

Immediate hazards that **WILL** result in severe personal injury or death.

WARNING

Hazards or unsafe practices that **COULD** result in severe personal injury or death.

CAUTION

Hazards or unsafe practices that **COULD** result in minor personal injury or property damage.

DANGER

IMPORTANT: If you smell gas:

- Do not use or light any appliance.
- Do not touch any electrical switch or use any electrical devices, including the telephone, in your building.
- From a neighbor's phone, immediately call the gas supplier. Follow the gas supplier's instructions.
- If you cannot contact the gas supplier, call the fire department.

IMPORTANT: Do not store or use combustible, flammable or explosive vapors and liquids (such as gasoline) inside or in the vicinity of this or any other appliance. Also keep items that could explode, such as aerosol cans, away from the burners and the oven. Do not store flammable or explosive materials in adjacent cabinets or areas.

WARNING

WARNING – NEVER use this appliance as a space heater to heat or warm the room. Doing so may result in carbon monoxide poisoning and overheating of the appliance.

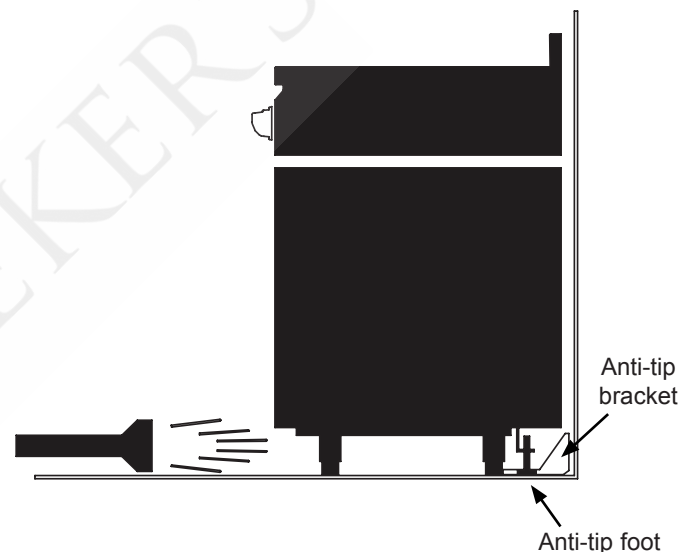
WARNING

WARNING – NEVER cover any slots, holes or passages on the inside or outside of the range or cover an entire rack with materials such as aluminum foil. Doing so blocks air flow through the oven and may cause carbon monoxide poisoning. Aluminum foil linings may also trap heat, causing a fire hazard.

WARNING

Tip-over hazard:

- A child or adult can tip the range and be killed.
- Attach the anti-tip bracket to the floor or wall as directed in these installation instructions.
- Engage the floor or wall mounted anti-tip bracket by sliding the anti-tip foot on the range into it according to these installation instructions. Using a flashlight, be sure that the anti-tip bracket engages the range's anti-tip foot as shown below.
- After moving the range, be sure to re-engage the anti-tip foot into the anti-tip bracket as shown below.
- See the anti-tip bracket installation instructions in this guide for further details.
- Failure to follow these instructions can result in death or serious burns to children or adults.



CALIFORNIA PROPOSITION 65 WARNING

The burning of gas cooking fuel generates some by-products that are on the list of substances which are known by the State of California to cause cancer or reproductive harm. California law requires businesses to warn customers of potential exposure to such substances. To minimize exposure to these substances, always operate this unit according to the use and care manual, ensuring you provide good ventilation when cooking with gas.

READ AND SAVE THESE INSTRUCTIONS

Important Safety Instructions

General Safety Precautions

To reduce the risk of fire, explosion, electric shock, serious injury or death when installing or using this appliance, follow basic safety precautions, including the following:

WARNING

- Read the accompanying use and care manual completely before operating this appliance.
- Keep packaging materials away from children. Plastic sheets and bags can cause suffocation.
- If you receive a damaged product, immediately contact your dealer or builder. Do not install or use a damaged appliance.
- This range must be properly installed by a qualified installer according to these installation instructions prior to use. The installer must show the customer the location of the gas shut off valve and the circuit breaker panel or fuse box so that they know where and how to turn off the gas supply and electric power to the range.
- To eliminate the risk of burns or fire by reaching over heated surface units, cabinet storage space located above surface units should be avoided.
- Do not install, repair or replace any part of the range unless specifically recommended in the literature accompanying it. A qualified service technician should perform all other service.
- Do not connect this range to the gas supply without the supplied gas pressure regulator installed.
- Before performing any type of service or installation, make sure that the gas supply and power to the range are off.
- NEVER block or cover any slots, holes or passages anywhere inside the oven or on the outside of the range or cover an oven rack with materials such as aluminum foil. Doing so blocks airflow through the oven and cooktop and may cause carbon monoxide poisoning or fire. See the **Getting to Know Your Range** section of the use and care manual for the location of the various air holes (slots).
- Only use this range for cooking tasks expected of a home appliance as outlined in the literature accompanying it. This range is not intended for commercial use.
- DO NOT TOUCH THE SURFACES OF THE OVEN OR COOKTOP DURING OR IMMEDIATELY AFTER USE.
- Do not climb on any part of the appliance.
- Never leave this appliance unattended when in use.
- Do not leave children or pets alone or unattended in the area around the range. Do not allow children to play with the controls, pull on the handle, or touch other parts of the range.
- Do not store items of interest to children on top of or above the range. Children could be burned or injured while climbing on the appliance.
- Do not attempt to use this appliance in the event of a power failure.
- Do not tamper with the controls. Do not adjust or alter any part of the range unless specifically instructed to do so in these instructions.
- Clean the cooktop thoroughly before operating it for the first time.

WARNING

- If the range is near a window, do not use long curtains as window treatment. The curtains could blow over the cooktop and create a fire hazard.
- Keep flammable items, such as paper, cardboard, plastic and cloth away from the burners and other hot surfaces. Do not place such items in the oven. Do not allow pot holders to touch hot surfaces or gas burners.
- Do not wear loose or hanging apparel while using the range. Do not allow clothing to come into contact with the interior of the oven or the cooktop and surrounding areas during and immediately after use.
- To avoid a fire hazard, do not hang flammable or heat sensitive objects over the range.
- Do not use the oven for storage.
- Do not touch the burner assembly, grates or surrounding surfaces (including the backguard) or the interior surfaces of the oven during use. After use, make sure these surfaces have had sufficient time to cool before touching them.
- Make sure that all the cooktop parts are dry before lighting a burner.
- Turn the knobs to the **OFF** position prior to removing them from the valve stems.
- Do not operate the cooktop without the knobs and trim rings in place.
- For your safety, do not use the oven to cook without the convection filter installed. When the filter is not installed, the spinning fan blades at the back of the oven are exposed.
- Non-stick coatings, when heated, can be harmful to birds. Remove birds to a separate, well-ventilated room during cooking.

WARNING

- To prevent damage, remove the meat probe from the oven when it is not being used.
- Do not line the oven with aluminum foil or other materials. These items can melt or burn up during self-cleaning and cause permanent damage to the oven.
- Do not leave objects, such as aluminum foil, the meat probe, cookie sheets, etc. on the bottom of the oven. Damage to the oven or the objects themselves may result.
- Do not cover the broil element on the ceiling of the oven with cookie sheets, aluminum foil, pots, pans, etc. Covering them could cause the heating elements to over-heat, damaging the oven.
- Do not expose the knobs or trim rings to direct flame, hot utensils or other sources of heat.
- Always ensure that the light fixture lens cover is in place when using the oven. The lens cover protects the light bulb from breakage caused by high oven temperatures or mechanical shock.

Planning the Installation

WARNING

IMPORTANT: Observe all governing codes and ordinances during planning and installation. Contact your local building department for further information.

Electrical Requirements (All models except those ending with -C)

It is the owner's responsibility to ensure that a licensed electrician performs the installation of the electrical supply for this appliance. The electrical installation, including minimum supply wire size, must comply with the National Electric Code ANSI/NFPA 70 (latest revision) and local codes and ordinances. A copy of this standard may be obtained from:

National Fire Protection Association
1 Batterymarch Park
Quincy, Massachusetts 02269-9101

- The correct voltage, frequency and amperage must be supplied to the appliance from a separate, grounded, circuit that is protected by a properly sized circuit breaker or time delay fuse. If a time-delay fuse is utilized, fuse both sides of the line (L1 and L2).

Electrical Specifications	
Circuit Required	Total Connected Load
240 Vac, 60 Hz., 4-wire*, 30 Amp.	5.7 kW (23.8 Amp.)

* Two 120 Vac hot (L1 and L2), one neutral (N1) and one ground.

The above electrical specifications are for reference only. See the range data label for exact specifications. See inside cover for location.

- The wiring needs to be long enough to allow the range to be pulled out for service, while remaining connected.
- The wiring connected to the range must:
 - Meet NEMA standards and have a minimum rating of 250 Volts @ 30 Amp.
 - Include a strain relief.
 - Be terminated by tinned leads, closed loop terminals or open ended spade lugs with upturned ends.
 - Connect to a junction box or receptacle installed by a licensed electrician.

The appliance may be connected one of the following ways:

- Using conduit:
 - A 4-wire conduit connected to a 4-wire junction box, or
 - A 3-wire conduit (where local code permits) connected to a 3-wire junction box.

Suggested conduit wiring color code: black, white, red and green.

- Using an appliance cord:
 - A 4-wire appliance cord equipped with a NEMA 14-50P plug connected to a NEMA 14-50R receptacle, or
 - A 3-wire appliance cord (where local code permits) equipped with a NEMA 10-50P plug connected to a NEMA 10-50R receptacle.

Appliance cord plug must be UL listed type SRD or SRDT.

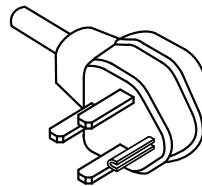
Electrical Requirements (Models numbers ending with -C)

- Model numbers that end in -C are freestanding ranges that come with a factory installed 4-wire appliance cord and NEMA 14-50P plug. This wiring configuration is required for freestanding ranges installed in Canada, although they may be used elsewhere, if local codes permit. The plug is designed to plug directly into a NEMA 14-50R electrical receptacle installed by a licensed electrician according to the specifications below. Do not modify the factory wiring on models with -C at the end of the model number.
- It is the owner's responsibility to ensure that the required 4-wire electrical outlet compatible with the power cord is installed by a licensed electrician as specified below prior to range installation. The electrical outlet installation, including minimum supply wire size and grounding, must be in accordance with all governing codes and ordinances.
- The correct voltage, frequency and amperage must be supplied to the appliance from a separate, grounded, circuit that is protected by a properly sized circuit breaker or time delay fuse. If a fuse is utilized, fuse both sides of the line (L1 and L2). Refer to the ratings on the range rating label.

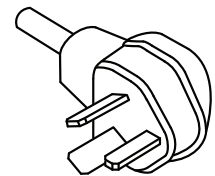
Electrical Specifications	
Circuit Required	Total Connected Load
240 Vac, 60 Hz., 4-wire*, 30 Amp.	5.7 kW (23.8 Amp.)

* The ratings above are for reference only - refer to the product data label for exact specifications.

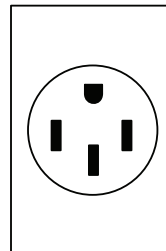
The ratings above are for reference only - refer to the range rating label (see inside cover).



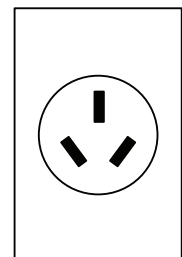
NEMA 14-50P Plug



NEMA 10-50P Plug



NEMA 14-50R Receptacle



NEMA 10-50R Receptacle

Planning the Installation

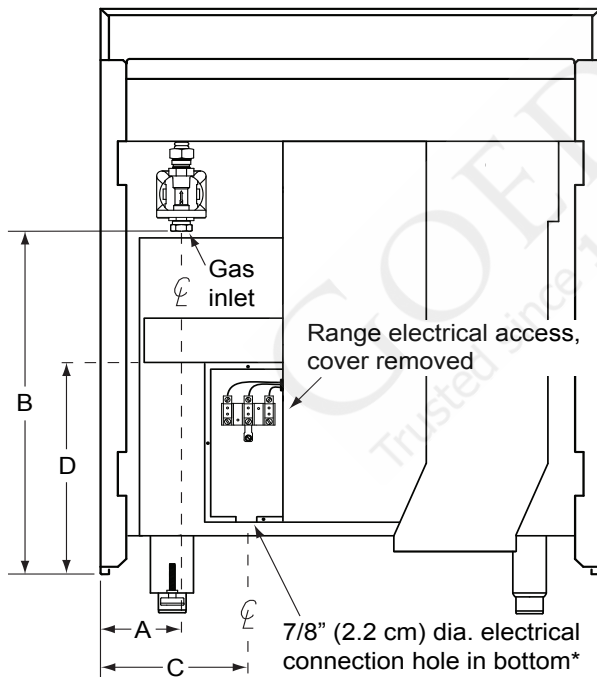
Gas Supply Requirements

- Check your local building codes for the proper method of installation. In the absence of local codes, this appliance should be installed in accordance with the National Fuel Gas Code ANSI Z223.1.
- Be certain that the appliance being installed is correct for the gas service provided (natural gas or LP gas). Also, if operating the range at an altitude above 4000 ft. (1219 m) make sure it is equipped for high altitude operation. Refer to the product data label and the table on the inside cover to determine the correct model.
- See the table for gas supply pressure requirements.
- The regulator inlet accommodates a 3/4" gas line. The range ships with a 1/2" to 3/4" adapter connected to the regulator.

Gas Supply Specifications			
Gas Type	Manifold Pressure* (WC)	Min. Gas Supply Pressure (WC)	Max. Input Pressure
Natural	5	6	1/2 psi
LP	10	11	1/2 psi

The ratings above are for reference only - refer to the product data label (see inside cover for location).

Electrical and Gas Supply Connections



Gas and Electrical Dimensions

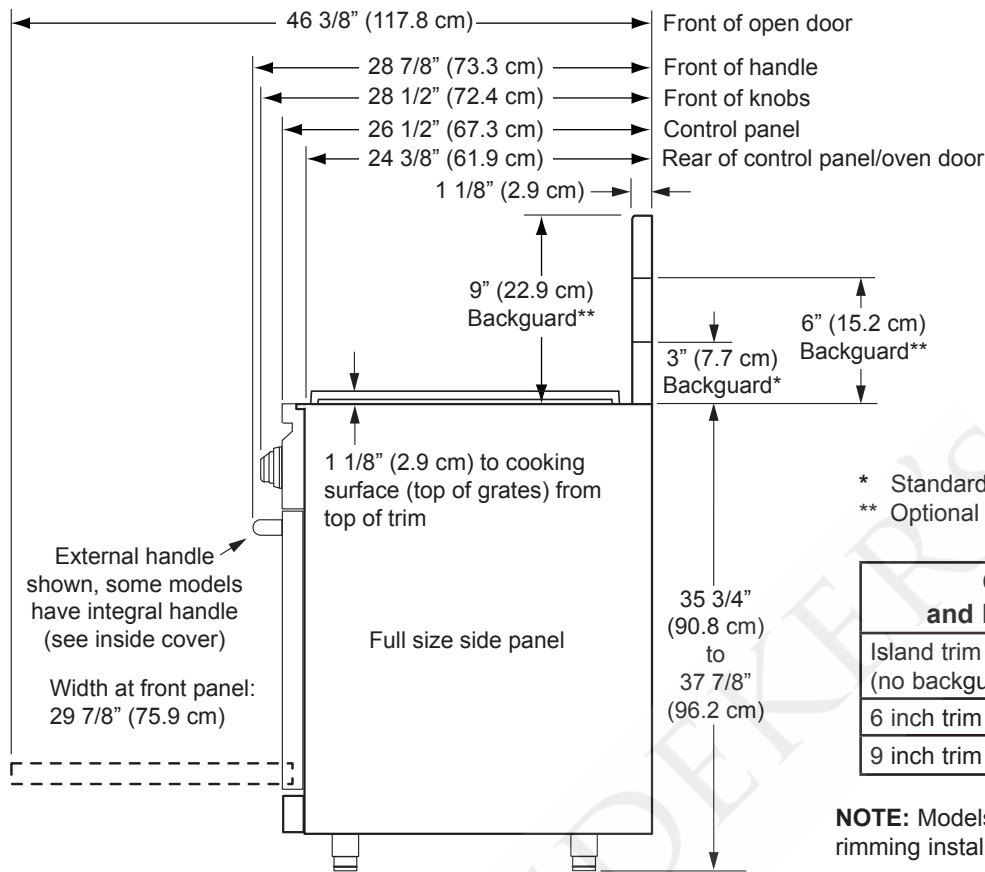
Gas - Electrical Access Dimensions			
A	B	C	D
4 3/4" (12.1 cm)	22 1/8" (56.2 cm)	8 3/4" (22.2 cm)	13 3/4" (34.9 cm)

* When using an appliance cord that is not factory installed, the hole size must be increased to 1 1/8" (2.9 cm) by removing the conduit bracket inside the range electrical access box (see page 14).

Planning the Installation

Product Dimensions

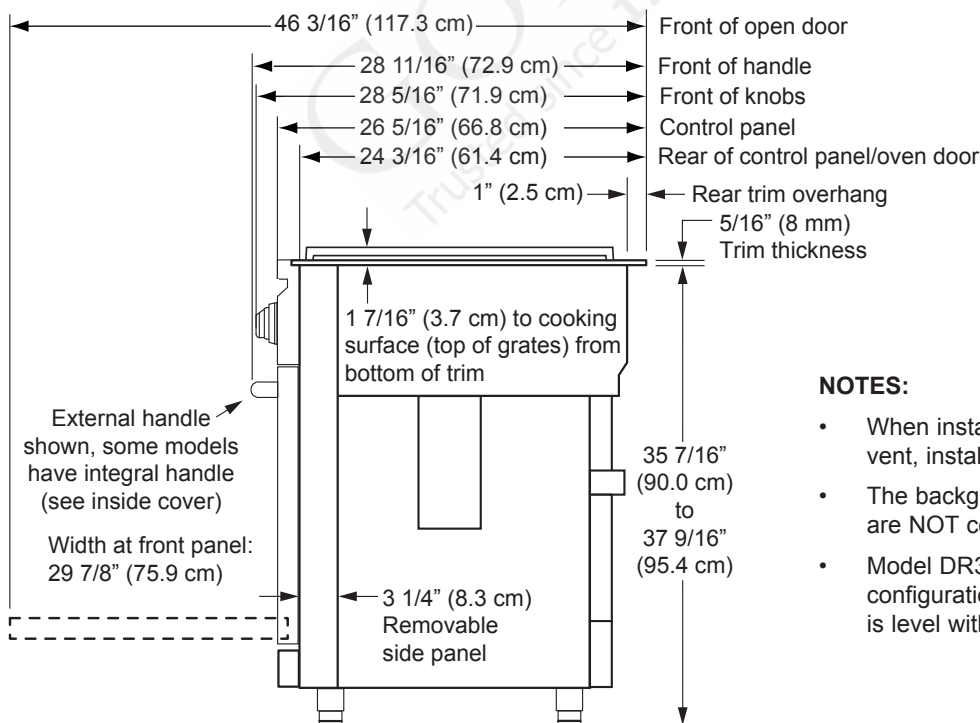
Product tolerances: $\pm 1/16"$ (± 1.6 mm), unless otherwise stated



Optional Backguard and Island Trim Part Number	
Island trim kit (no backguard)	ADTK30D
6 inch trim kit	ADB3006
9 inch trim kit	ADB3009

NOTE: Models DR30D[H] is NOT designed for self-rimming installation or installation with a raised vent.

Side View - DR30D[H] (Freestanding Model)



Side View - DR30DI[H] (Self-Rimming Model)

Planning the Installation

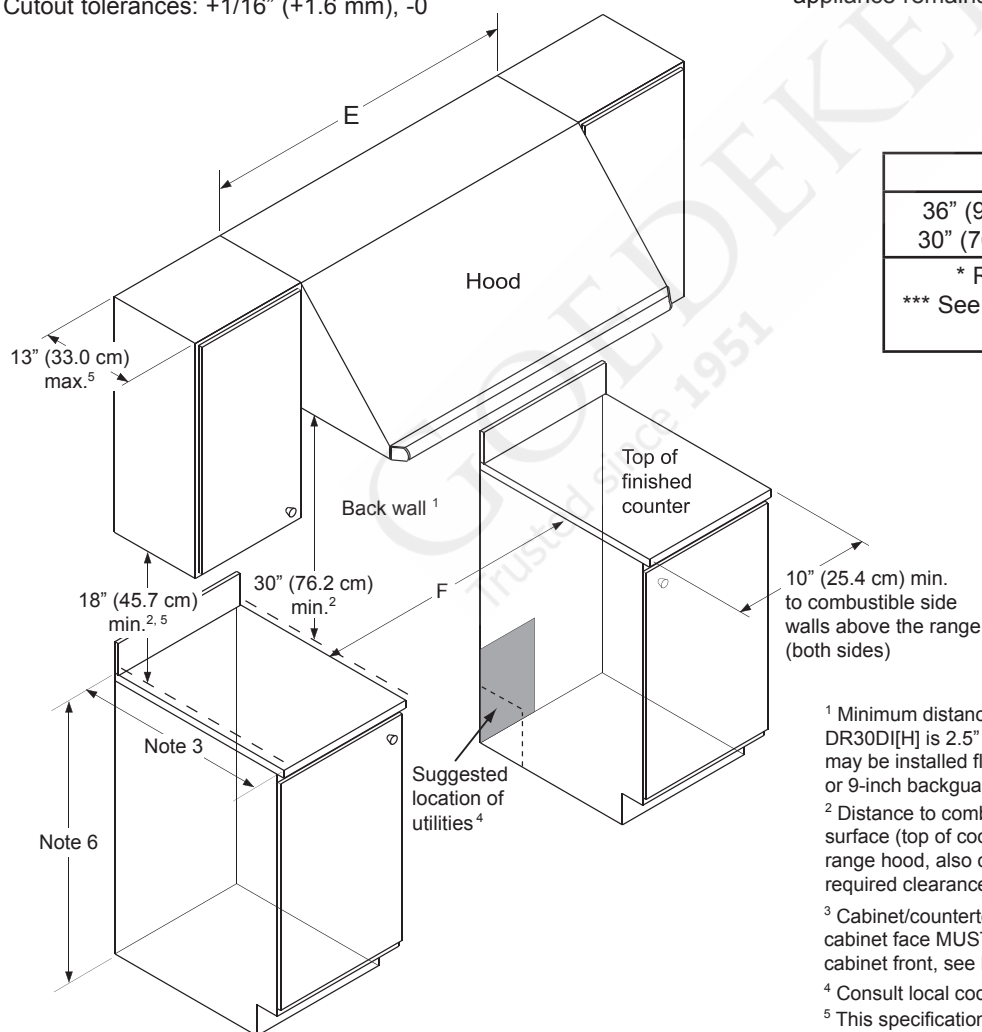
Cabinet Layout

WARNING

All maximum and minimum cabinet and countertop dimensions and clearances stated in these instructions must be maintained for safe operation.

- Carefully check the location where the range is to be installed. For best performance, the range should be placed away from drafts that may be caused by doors, windows and heating and air conditioning outlets.
- To reduce the risk of personal injury and to reduce accumulated smoke in the room, Dacor strongly recommends installing a range hood or raised vent (model DR30DI[H] only). A range hood should project horizontally a minimum of five (5) inches beyond the face of the cabinets.
- Any openings in the wall behind the appliance or in the floor underneath it must be sealed.
- Carefully note the requirements stated below for clearances to walls and cabinets.

Cutout tolerances: +1/16" (+1.6 mm), -0



E	F***
36" (91.4 cm)*	30 1/16" (76.4 cm)
30" (76.2 cm)**	
* Recommended ** Minimum *** See following pages for self-rimming installations	

Gas and Electrical Service

- The shaded area shown below denotes the location of the gas inlet and the electrical junction box/receptacle. This is the recommended location. For replacement purposes, the location of the existing utilities may be utilized provided they do not interfere with the sides or rear of the range. Check local building codes for permissible utility connection locations.
- An external manual shut-off valve must be installed between the gas inlet and the range for the purpose of turning on or shutting off gas to the appliance.

The installation must allow for the following:

- Access to the gas shut-off valve when the unit is installed.
- Access to the remote circuit breaker panel or fuse box when the range is in place.
- The gas supply piping, gas shut-off valve and the electrical junction box or receptacle must be located so they do not interfere with the range when it is installed.
- The junction box and gas shut off valve must be located so that the range can be pulled out for service while the appliance remains connected.

¹ Minimum distance to a combustible rear wall for model DR30DI[H] is 2.5" (6.4 cm) from top rear trim. Model DR30DI[H] may be installed flush to rear wall, but non-combustible surface or 9-inch backguard (PN ADB3009) is recommended.

² Distance to combustible surfaces measured from cooking surface (top of cooktop grate); if installing an overhead range hood, also check the hood specifications for minimum required clearances.

³ Cabinet/countertop depth is at discretion of customer but cabinet face MUST NOT protrude further than rear of cabinet front, see Product Dimensions.

⁴ Consult local code for exact location requirements.

⁵ This specification does not apply for cabinets located greater than a horizontal distance of 10" (25.4 cm) from the edge of the range.

⁶ Model DR30DI[H]: 37 7/8 (96.2 cm) max.
Model DR30DI[H]: 37 7/16 (95.1 cm) max.

Required Cabinet Dimensions

Planning the Installation

Self-Rimming Installation Without Raised Vent

- See page 8 for raised vent installations.
- Only model DR30DI may be installed in a self-rimming configuration. Self-rimming installations create a “built-in” look where the trim of the range overlaps the surrounding countertop. It is also possible, if the cabinets are the right depth, to self rim the front of the range into the cabinet face, immediately behind the control panel and door trim. When the front of the range is self-rimmed, the 3 1/4” side panels are removed.

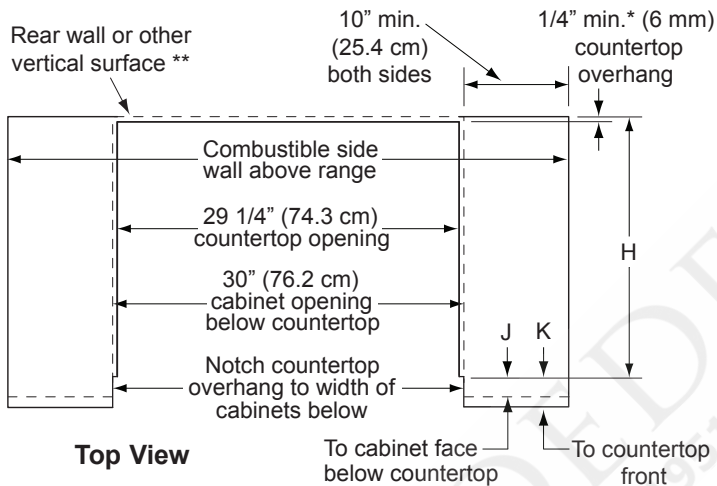
- When sliding the range into position, it will stop when the rear of the side panels or front panel contacts the notches toward the front of the countertop. The rear of the range trim will overhang the countertop in back.

Model DR30DI Range With	H	J	K
Countertop Self-Rimmed Only	21” (53.3 cm)	0” (0 cm) to 3 1/4” (8.3 cm)	0” (0 cm) to 5 3/8” (13.7 cm)
Countertop and Cabinet Front Self-Rimmed ¹	24 1/4” (61.6 cm)	NA	0” (0 cm) to 2 1/8” (5.4 cm)

¹ Side panels removed

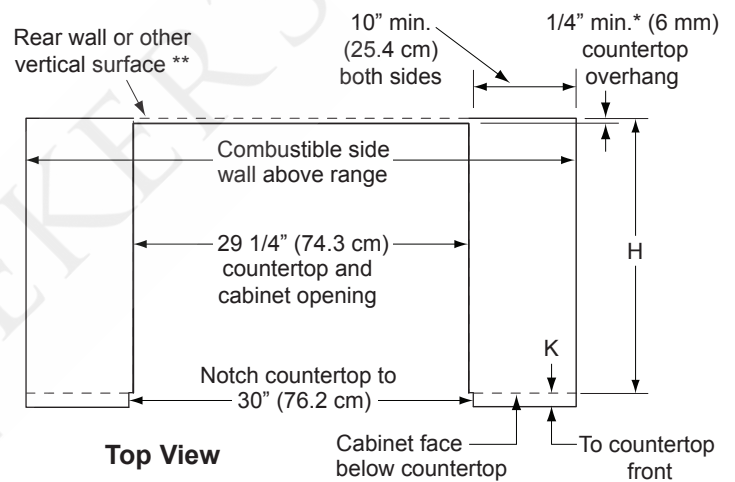
Countertop height for all self-rimming installations:
35 7/16” (90.0 cm) minimum, 37 7/16” (95.1 cm) maximum

Model DR30DI[H] Countertop Self-Rimmed Only, 3 1/4 Inch Side Panels Not Removed

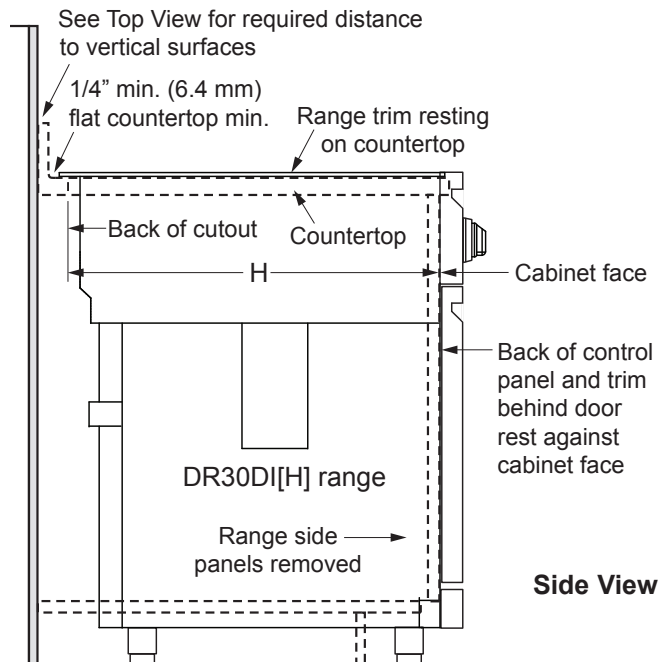
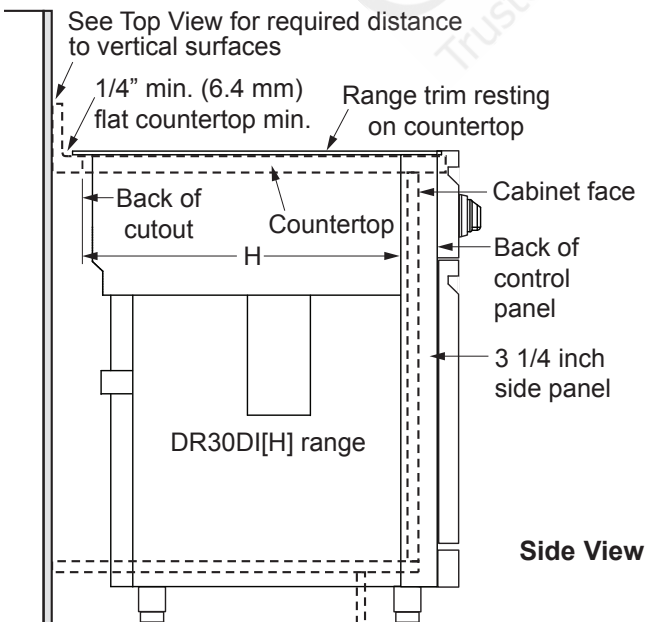


- * When increasing overhang, increase dimension H by same amount.
- ** Any vertical surfaces behind the range must be non-combustible unless countertop overhang exceeds 2 3/4” (7.0 cm).

Model DR30DI[H] Countertop and Cabinet Front Self-Rimmed, 3 1/4 Inch Side Panels Removed



- * When increasing overhang, increase dimension H by same amount.
- ** Any vertical surfaces behind the range must be non-combustible unless countertop overhang exceeds 2 3/4” (7.0 cm).



Planning the Installation

Self-Rimming Installation With Raised Vent

- Only model DR30DI may be installed with a raised vent. Use only Dacor raised vent model ERV3015.
- A self-rimming countertop configuration is required for raised vent installation. On installations with a raised vent, when sliding the range into position, it will stop when the rear of the control panel or side panels contact the notches toward the front of the countertop.
- The self-rimming installation of the DR30DI range and ERV3015 raised vent create a "built-in" look where the range trim overlaps the countertop on both sides and the raised vent overlaps the countertop in back. It is also possible, if the cabinets are deep enough, to self rim the front of the range into the cabinet face immediately behind the control panel and door trim or behind the side panels (see side views on this and the facing page). The rear range trim will partially cover the front of the raised vent chassis in back.

Cutout tolerances: +1/16" (+1.6 mm), -0

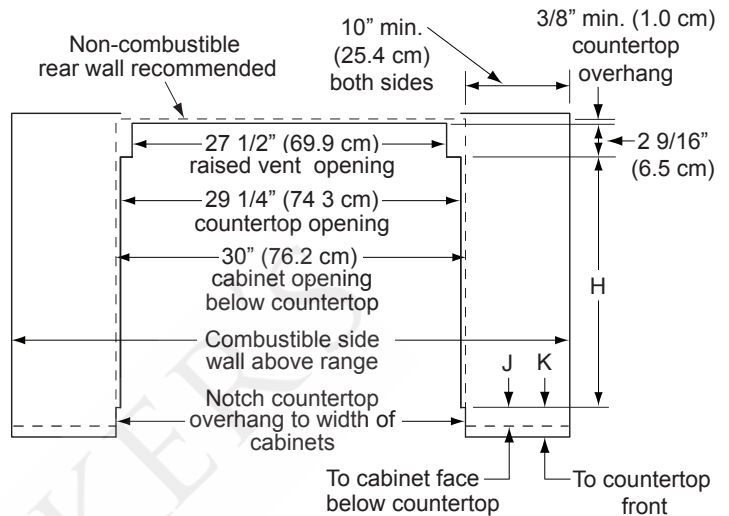
Model DR30DI/ERV3015 Countertop Self-Rimmed Only, 3 1/4 Inch Side Panels Not Removed

Model DR30DI Range and ERV3015 Raised Vent With	H	J	K
Countertop self-rimmed only	20 5/8" (52.4 cm)	0" (0 cm) to 3 1/4" (8.3 cm)	0" (0 cm) to 5 3/8" (13.7 cm)
Countertop and Cabinet Front Self-Rimmed	20 5/8" * (52.4 cm)	NA	0" (0 cm) to 5 3/8" (13.7 cm)
Countertop and Cabinet Front Self-Rimmed (side panels removed)	23 7/8" * (60.6 cm)	NA	0" (0 cm) to 2 1/8" (5.4 cm)

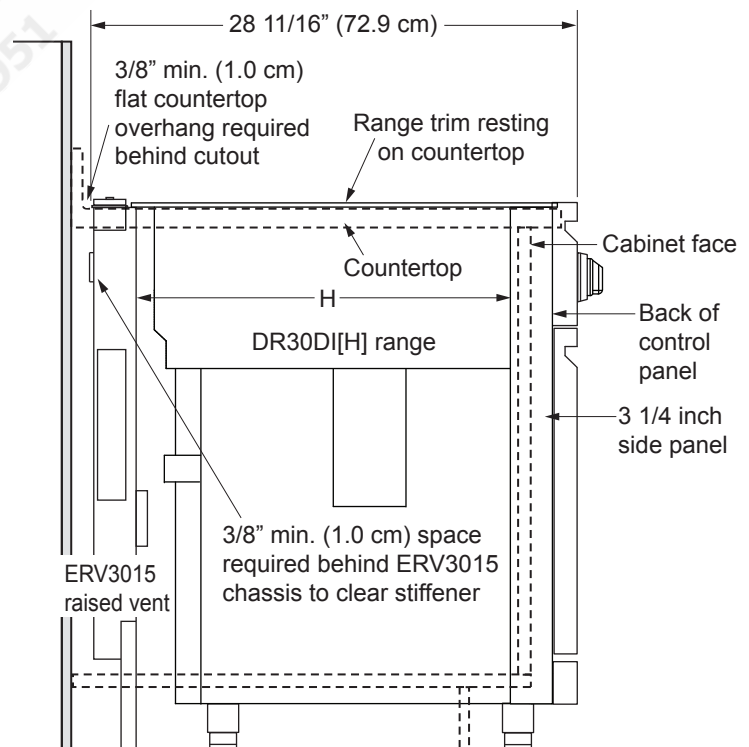
* Cabinet face below countertop must be flush with back of notch in countertop.

Countertop height for all self-rimming installations: 35 7/16" (90.0 cm) minimum, 37 7/16" (95.1 cm) maximum

IMPORTANT: If the 3 1/4 inch side panels are removed, the cabinet face must be flush with the back of the control panel.



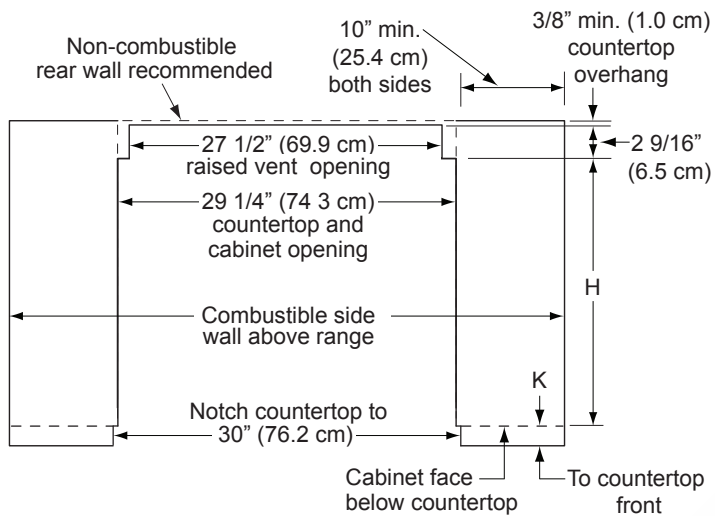
Top View



Side View

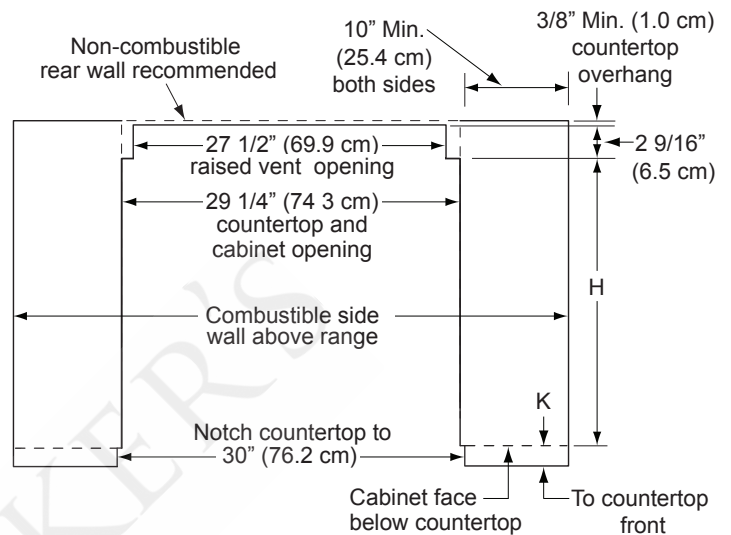
Planning the Installation

Model DR30DI[H]/ERV3015 Countertop and Cabinet Front Self-Rimmed, 3 1/4 Inch Side Panels Not Removed

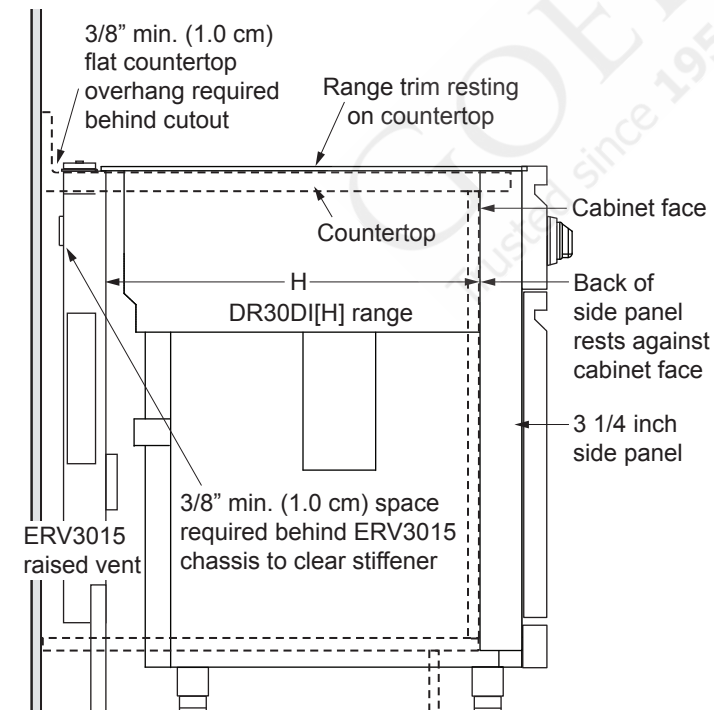


Top View

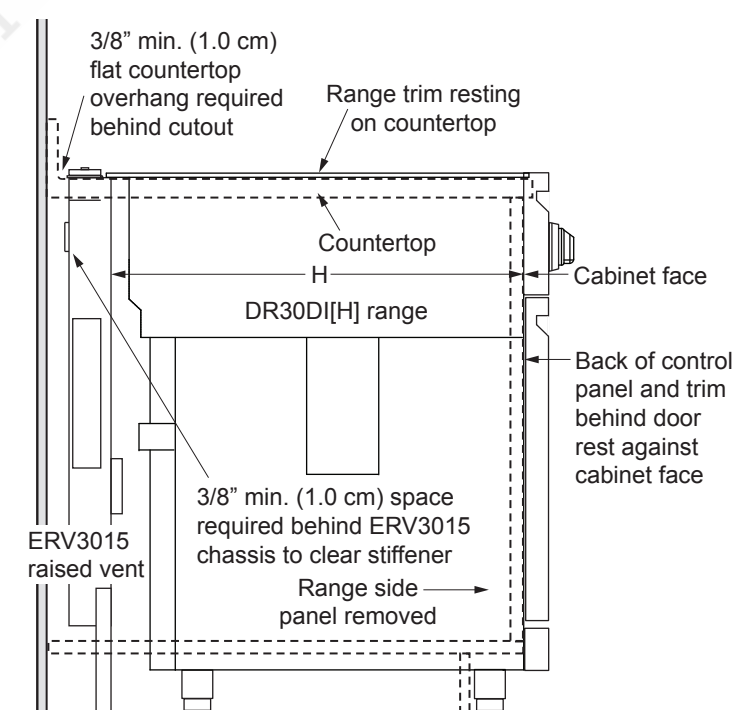
Model DR30DI[H]/ERV3015 Countertop and Cabinet Front Self-Rimmed, 3 1/4 Inch Side Panels Removed



Top View



Side View



Side View

Installation Instructions

Preparing for Installation

WARNING

- If the gas or electric service provided does not meet the product specifications, do not proceed with the installation. Call the dealer, the gas supplier or a licensed electrician.
- Before installing the range, you must locate and secure the anti-tip bracket as instructed.
- Be sure that the unit is not connected to gas or power before proceeding with the following sections.

IMPORTANT: Within the Commonwealth of Massachusetts, this appliance must be installed by a licensed plumber or gas fitter.

Unpacking the Range

Unpack the range and verify that all required parts have been provided. If any item is missing or damaged, please contact your dealer immediately. Do not install a damaged or incomplete appliance. The customer must report cosmetic issues within 30 days of installation.

Parts List

- 2 grates
- 1 small standard burner cap
- 1 small standard burner ring
- 2 large standard burner caps
- 2 large standard burner rings
- 1 inner SimmerSear™ burner cap
- 1 outer SimmerSear burner cap
- 1 SimmerSear burner ring
- 2 standard oven racks
- 1 GlideRack oven rack
- Anti-tip bracket w/screws and anchors
- Meat probe
- Dacor Stainless Steel Cleaner
- Literature kit

Install the Anti-Tip Bracket and Foot

Locate the anti-tip bracket included in the parts box.

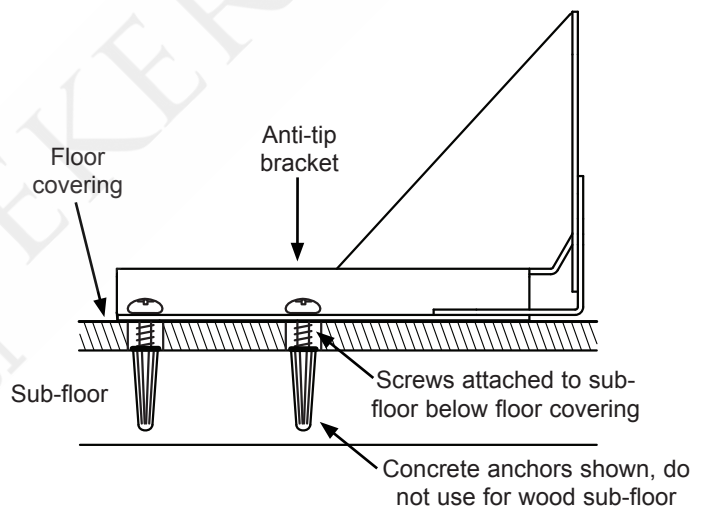
There are two ways to mount the anti-tip bracket:

- Floor mounting (preferred method)
- Wall mounting (alternate method). Use this method if floor mounting is not suitable. If the front panel of range is further than 27 1/2" (69.9 cm) from the back wall or if the flooring is too thick (see **Installing the Anti-Tip Bracket on the Wall**), the wall mounting method may not be used and the floor mounting method must be suitable.

Installing the Anti-Tip Bracket on the Floor

WARNING

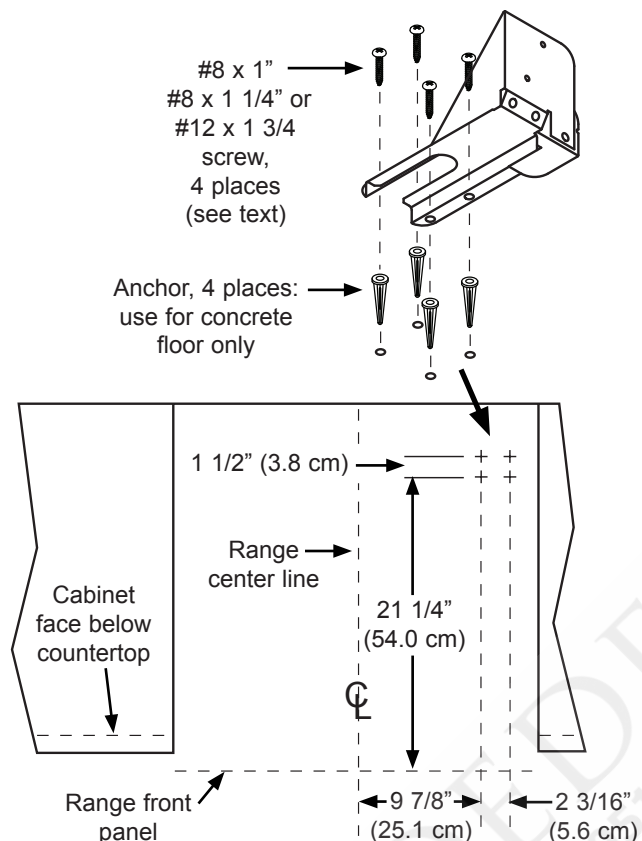
To perform its intended function, the anti-tip bracket must be attached as instructed to the concrete slab or wood sub-floor below any floor coverings (including cement board) on top. Do not attach the anti-tip bracket directly to floor coverings such as ceramic/asphalt tile or linoleum.



Four (4) plastic anchors are provided along with three sizes (4 each) of #8 or #12 Phillips head screws for attaching the anti-tip bracket to the floor. Use both the anchors and four (4) of the screws when attaching the bracket to a concrete sub-floor. Do not use the anchors when attaching to a wood sub-floor.

Installation Instructions

1. Determine the location of the range center line and front panel for the range's final position based on the **Product Dimensions** on page 5 and the actual cabinet/cutout dimensions used for the installation.
2. Determine the required position of the anti-tip bracket, based on the diagram below. Mark the four (4) mounting hole locations on the floor with a pencil.



Top View - Location of Floor Mounted Anti-Tip Bracket

3. Determine the screw size required. The minimum full thread depth (portion of screw threaded into wood/slab) for wood is 3/8" (1 cm) and 5/8" (1.6 cm) for concrete. See the table below to select the correct screw size.

Sub-Floor Type/ Floor Covering Thickness	Screw Size
Concrete or wood sub-floor, no floor covering over top	#8 x 1 *
Concrete or wood sub-floor, floor covering up to 1/4" thick	#8 x 1 *
Concrete or wood sub-floor, floor covering over 1/4" and up to 1/2" thick	#8 x 1 1/4 *
Wood sub-floor, floor covering over 1/2" and up to 1 3/16" thick	#12 x 1 3/4 *
Concrete under floor covering over 1/2" thick	Must be purchased separately **
Wood sub-floor, floor covering over 1 3/16" thick	Must be purchased separately **

* Included with range

** Determine required depth based on information in step 3 and purchase from local hardware store.

Attaching the bracket to a concrete floor:

- Drill four (4) 3/8" diameter countersink holes through any existing floor covering down to the concrete slab below.
- Drill the 4 holes for the anchors 1 1/4" (3.2 cm) deep into the concrete slab using a 3/16" masonry bit. This hole length is longer than the anchor, but is required for proper installation. Clear the holes of dust and any other material. Tap each anchor into the hole until the anchor top is flush with the top of the concrete slab. Position the anti-tip bracket holes over the anchor holes. Insert the screws through the 4 holes in the base of the bracket and thread them into the anchors. Be sure the screw threads fully engage the anchor body. Tighten the screws into place.

Attaching the bracket to a wood floor:

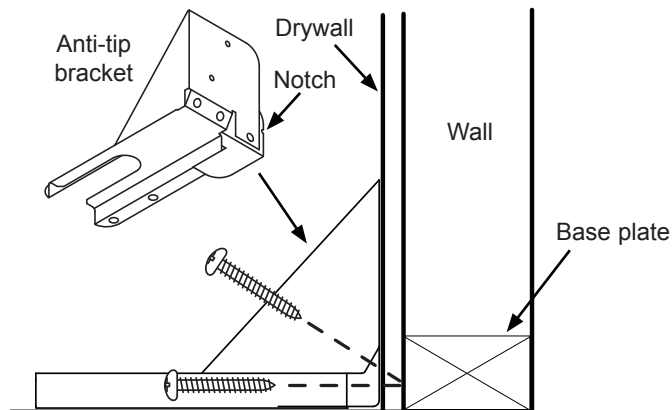
- If there is ceramic, asphalt or other hard floor covering over the wood below, drill (4) countersink holes to allow access to the wood below for drilling pilot holes.
- Drill four (4) pilot holes into the wood floor using a drill bit (1/16" dia. for #8 screws, 1/8" dia. for #12 screws). Position the anti-tip bracket holes over the holes in the floor. Insert the screws into the wood and tighten into place.

Installation Instructions

Preparing for Installation (cont.)

Installing the Anti-Tip Bracket on the Wall

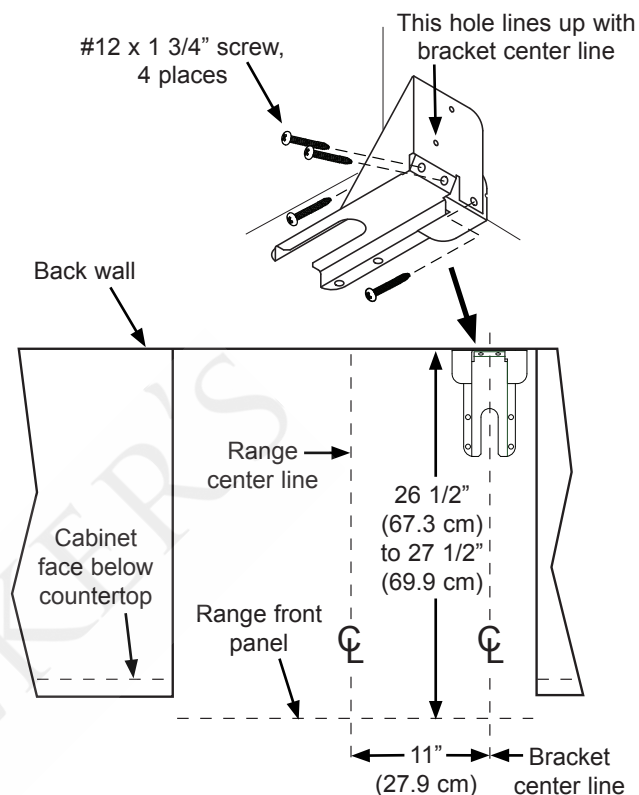
1. Determine the suitability of wall mounting the anti-tip bracket. To use the wall mount option, the range front panel must not be more than 27 1/2" from the wall and the bracket screws must be able to thread into the base plate inside the wall behind. The notches on the sides of the bracket indicated the minimum required height of the base plate inside the wall and that any floor covering is not too thick for proper screw thread engagement.



To determine if the base plate is high enough:

- ◇ Determine the location of the range center line and front panel when the range is in its final position based on the product dimensions on page 5 and the actual cabinet/cutout dimensions used for the installation.
- ◇ Determine and mark the required position of the anti-tip bracket, based on the diagram above. Push the bracket up against the wall in the mounting location.
- ◇ Using a pencil, make a dot next to the notches on both sides of the bracket. Determine if the base plate is as high at the notches by drilling test holes into the wall at both dots with a 1/16" drill bit. Drill just deep enough to see if the bit contacts the base plate. If the bit contacts the base plate the location will support wall installation of the anti-tip bracket. If you do not contact the base plate, the wall mounting method may not be used and the floor mounting method must be suitable, or the wall must be modified so that the base plate is above the notches.

2. To install the bracket, place it against the wall in the mounting location. Using a drill with 1/8" diameter drill bit, drill four (4) 1 5/8" deep pilot holes perpendicular to the screw seating surfaces shown below. Attach the bracket to the wall as shown with the four (4) included #12 x 1 3/4 screws.



Top View - Location of Wall Mounted Anti-Tip Bracket

Installation Instructions

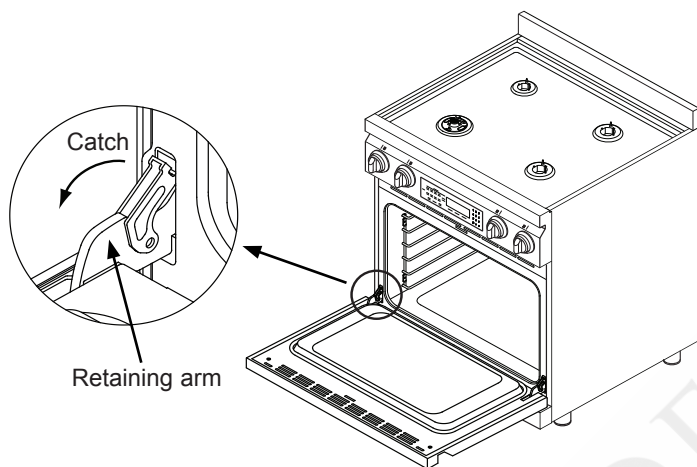
Removing the Oven Door

To make the range easier to move, remove the door to reduce weight.

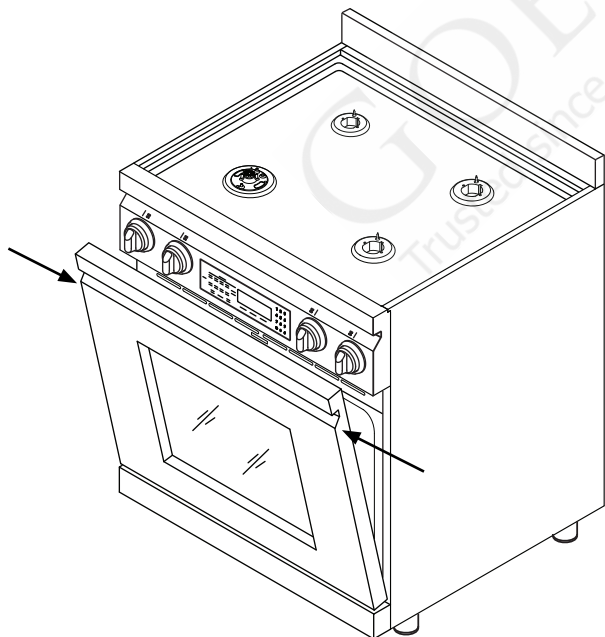
WARNING

- Do not attempt to disengage the hinge catches with the door removed from the oven. The hinge springs could release causing personal injury.
- Do not lift or carry the oven door by the handle.

1. Open the door to its fully opened position.
2. Using a screwdriver, rotate the catch over the retaining arm on each hinge.



3. Lift the oven door to about a 15° angle from the vertical position.



Door Gripping Points

4. Hold the door with both hands just below the handle and pull it away from the oven while continuing to lift.

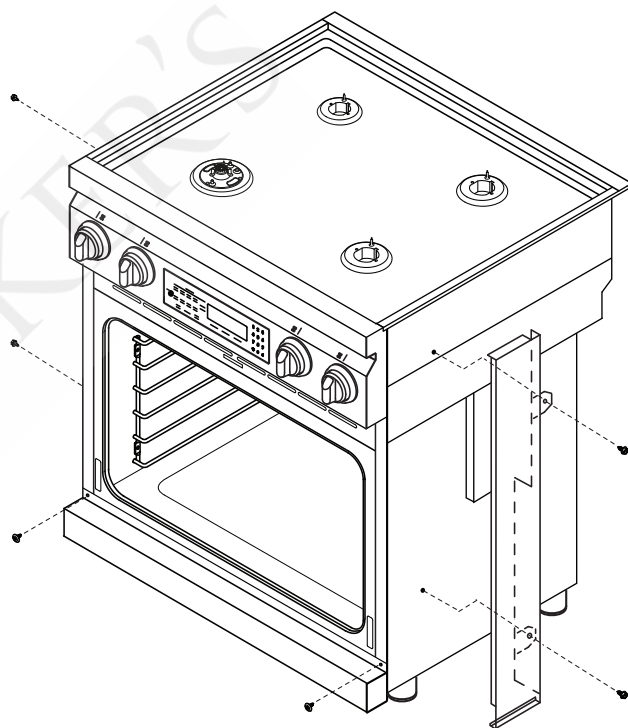
Optional Backguard/Island Trim Installation (Freestanding Model, DR30D[H] Only)

When used, the optional island trim or optional 6 or 9 inch backguard must be installed before sliding the range into place. Install them according to the accompanying installation instructions.

Side Panel Removal on Model DR30DI[H]

Remove the 3 1/4" side panels if both the top and the front of the range will be self-rimmed (see pages 7 and 8). Remove them before sliding the range into place.

1. Remove the two screws on the side of the range and the one just above the kick panel that hold the side panel in place.
2. To remove, slide the panel toward the back of the range, off of the ball studs.



Installation Instructions

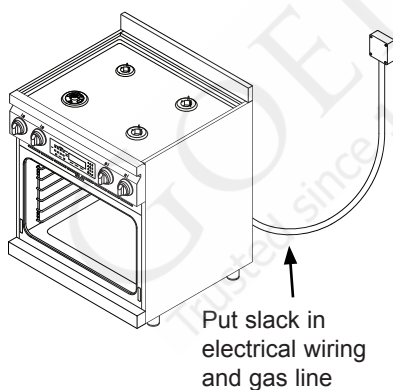
Electrical Connection

WARNING

- Wire the range only in compliance with local ordinances.
- Before proceeding, turn off power to the electrical supply at the circuit breaker panel for fuse box. Do not turn on power to the range until instructed to do so in the **Verifying Proper Operation** section of these instructions.
- Improper connection of the electrical wiring can cause an electric shock hazard and damage the appliance. Dacor is not responsible for damages resulting from improper installation.
- The ground terminal (or lead) on the appliance must be connected to a grounded, metallic, permanent wiring system or grounding conductor.
- Do not use an extension cord with this appliance. Such use may result in fire, electric shock or other personal injury.
- Do not install a fuse in the neutral or ground circuit. A fuse in the neutral or ground circuit may result in an electric shock hazard.

IMPORTANT:

- Some models come pre-wired at the factory with a 4-wire appliance cord for connection to a 14-50R electrical receptacle as specified on page 3. If the range being installed is pre-wired, skip to **Gas Connection** on page 18. This section does not apply to pre-wired units.
- Do not disconnect any of the wires inside the range electrical box unless instructed to do so.
- Make sure that the conduit or appliance cord is long enough to allow the range to be pulled out for service without disconnecting it from power.



Types of Electrical Connections

Refer to the product data label (see inside cover) for power requirements.

There are four possible ways to wire the range:

- 4-wire appliance cord, where local codes permit
- 3-wire appliance cord, where local codes permit
- 4-wire conduit (see page 16)
- 3-wire conduit, where local codes permit (see page 16)

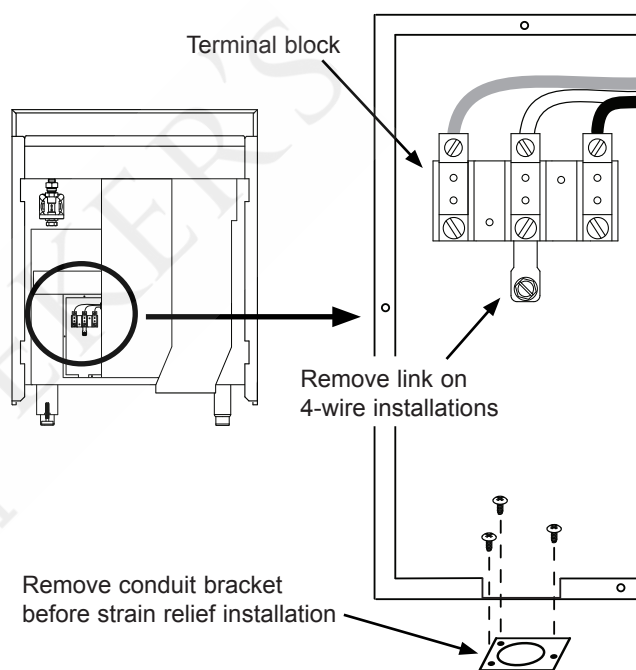
The sections on the following pages give directions for connecting each type of wiring harness.

Appliance Cord Connections - Where Local Code Permits

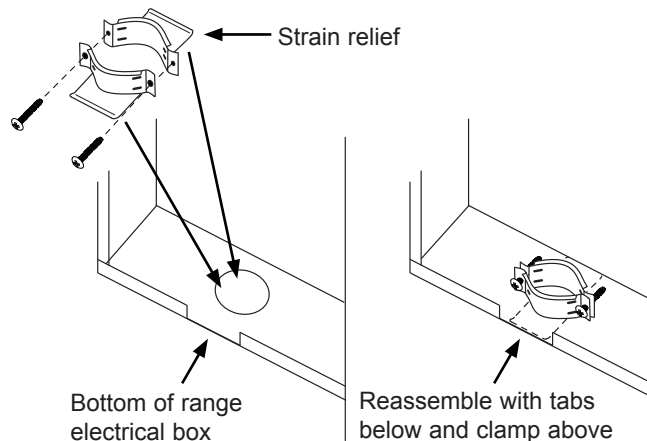
WARNING

Do not connect the green appliance wire to the neutral (white) supply wire unless local building codes permit.

1. Remove the range electrical access cover from the back of the range.
2. **IMPORTANT:** If using a 4-wire connection, loosen the grounding screw and remove the neutral to ground jumper link from the terminal block. Leave the link in place for 3-wire connections.
3. Remove the conduit bracket from the bottom of the range electrical box.

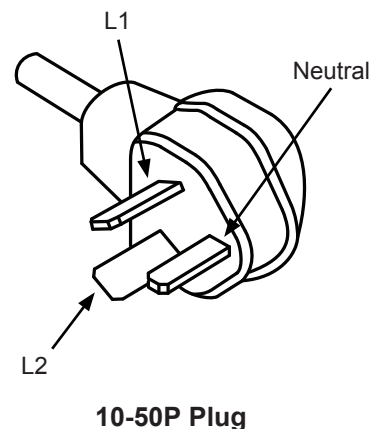
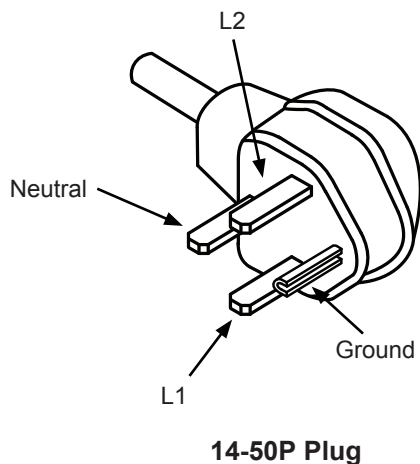
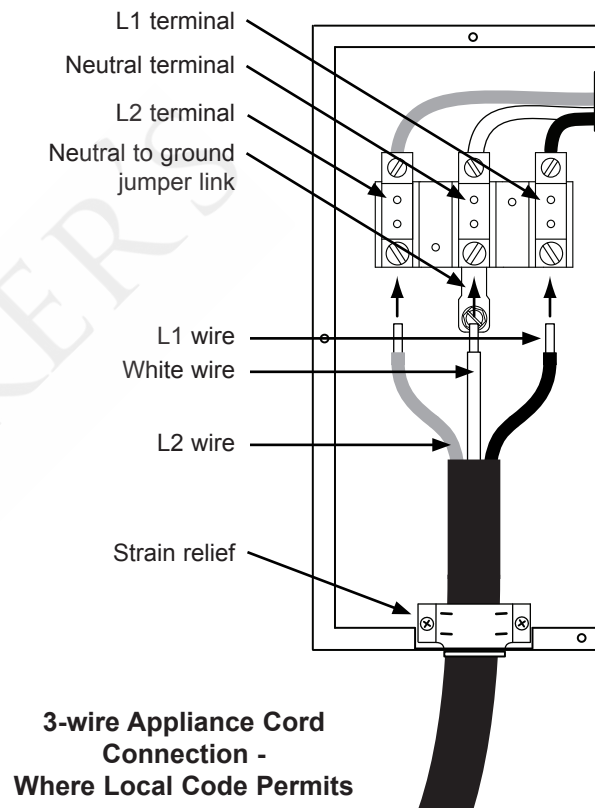
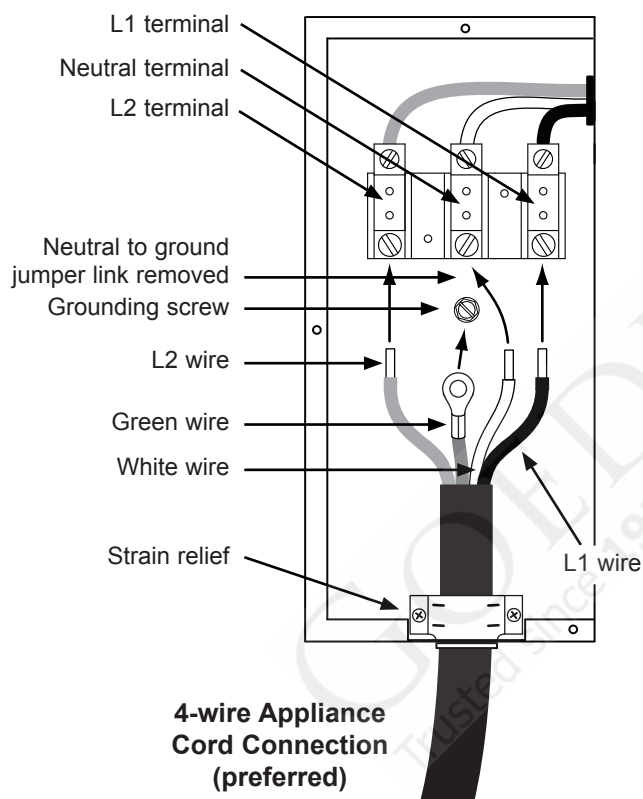
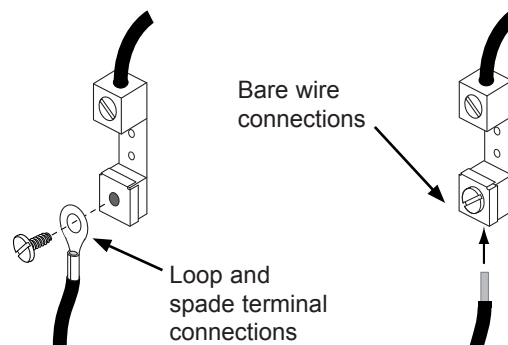


4. Disassemble and remove the strain relief from the appliance cord (not included). Insert the tabs on the two parts of the strain relief into the hole on the bottom of the box and reassemble it so that the tabs are below the box and the strain relief itself is inside the box.



Installation Instructions

5. Slide the end of the appliance cord into the strain relief from the bottom of the box.
6. Connect the white (neutral) wire to the neutral terminal in the box.
7. Connect the L1 wire to the L1 power supply terminal in the box.
8. Connect the L2 wire to the L2 power supply terminal in the box.
9. If using a 4-wire connection, connect the ground wire to the grounding screw inside the box using a loop or spade terminal.
10. Tighten the strain relief so that the appliance cord is held snugly in place.
11. Replace the range electrical access cover.



Installation Instructions

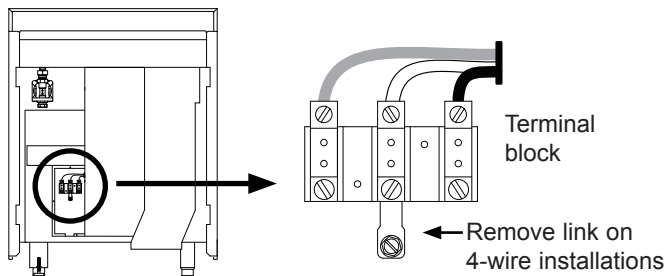
Electrical Connection (cont.)

Connecting Conduit to the Range

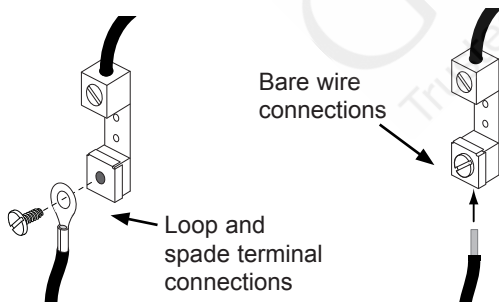
WARNING

Do not connect the green appliance wire to the neutral (white) supply wire unless local building codes permit.

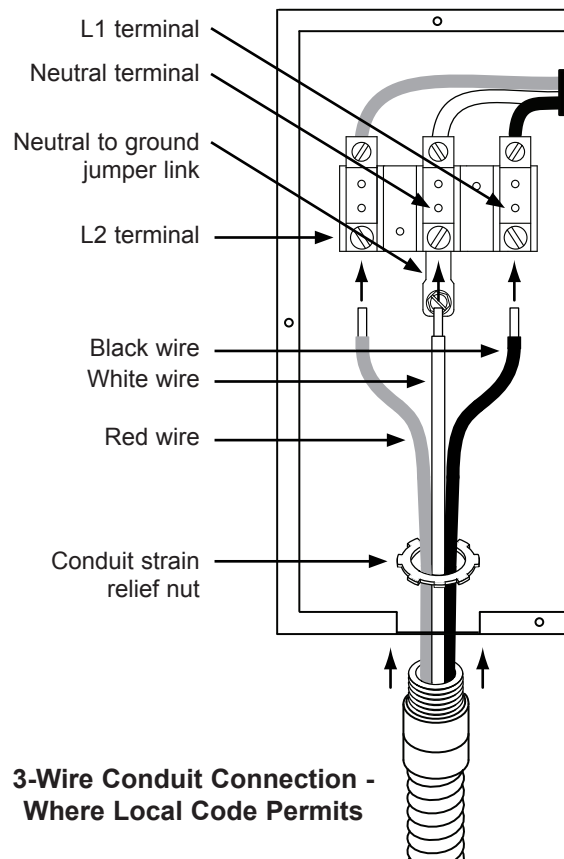
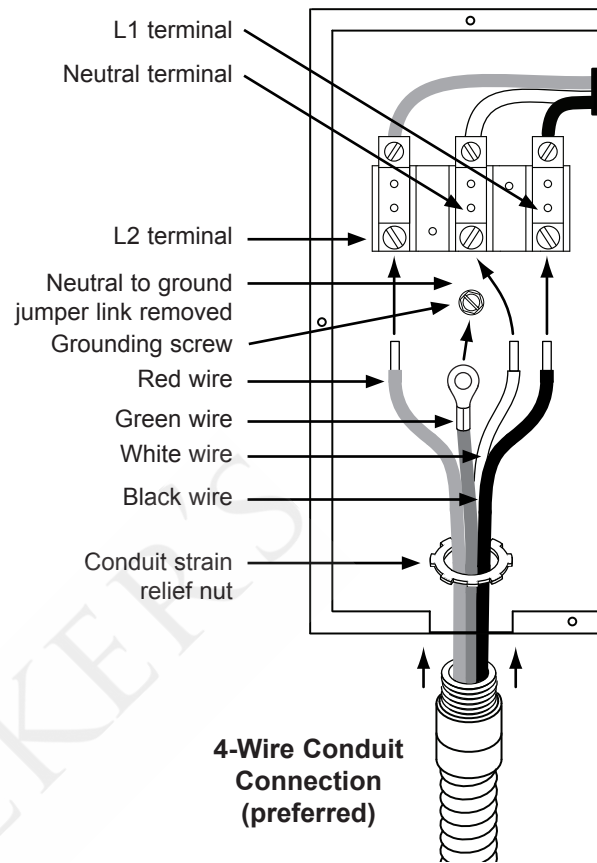
1. Remove the range electrical access cover from the back of the range.
2. **IMPORTANT:** If using a 4-wire connection, loosen the grounding screw and remove the neutral to ground jumper link from the terminal block. Leave the link in place for 3-wire connections.



3. Remove the nut from the conduit strain relief (not included).
4. Slide the wires and the end of the strain relief into the hole on the bottom of the range electrical box.
5. Before connecting the wires, slide the strain relief nut over the wires and thread it onto the conduit strain relief inside the box. Tighten into place.
6. Connect the white wire to the neutral terminal in the box.
7. Connect the black wire to the L1 power supply terminal.
8. Connect the red wire to the L2 power supply terminal.
9. If using a 4-wire connection, connect the green wire to the grounding screw inside the box.



10. Replace the range electrical access cover.

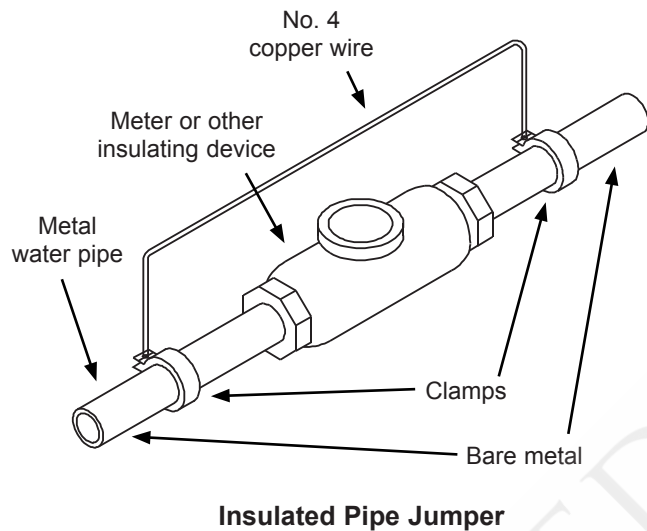


Installation Instructions

Connecting the Conduit to the House Electrical Junction Box

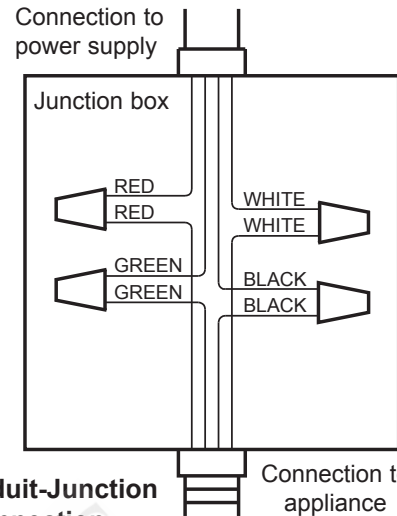
WARNING

- Do not ground the appliance to a gas supply pipe or hot water pipe.
- Do not turn on power to the appliance without it being permanently grounded.
- A grounded cold water pipe must have metal continuity to electrical ground and must not be interrupted by insulating materials. Any insulating material must be jumpered with a length of No. 4 copper wire securely clamped to bare metal at both ends.

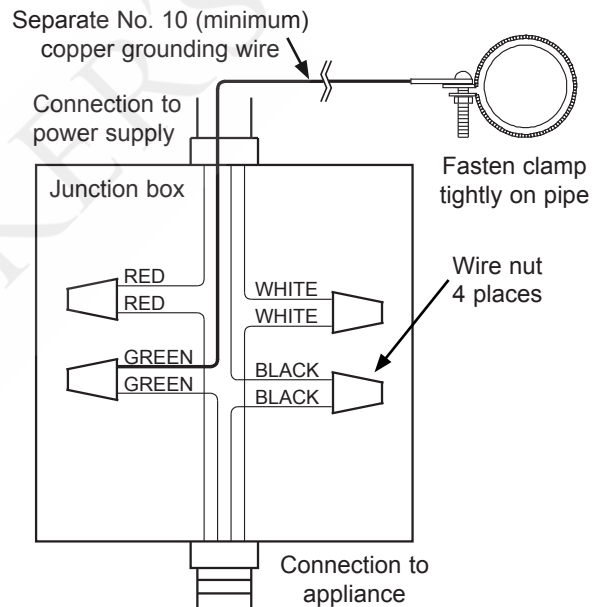


NOTE: The power supply must be properly polarized. Reverse polarity will result in continuous sparking of the electrodes, even after flame ignition. If there is any doubt as to whether the power supply is properly polarized or grounded, have it checked by a licensed electrician.

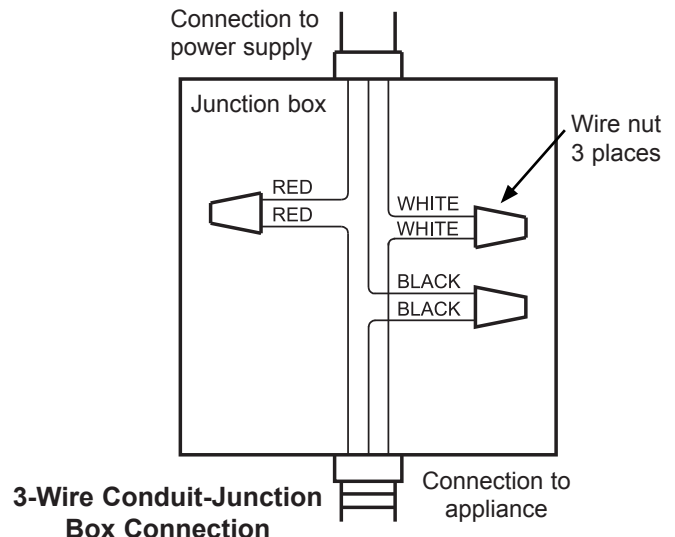
1. With the range positioned directly in front of the cabinet cutout, feed the appliance wires into the junction box. Depending upon local codes, utilize one of the three (3) methods shown to connect the appliance to the junction box.
2. Connect the white wire from the appliance to the neutral (white) supply wire in the junction box.
3. Connect the black wire from the appliance to the black (L1) power supply wire in the junction box.
4. Connect the red wire from the appliance to the red (L2) power supply wire in the junction box.
5. If using a 4-wire connection, connect the green wire to a grounded supply wire in the junction box or to a grounded cold water pipe. If connecting to a grounded cold water pipe:
 - ◇ Use a separate copper grounding wire (No. 10 minimum) to connect to the cold water pipe by means of a clamp and an external grounding connector screw.
 - ◇ If there are any materials that isolate the cold water pipe from ground, jumper it with a No. 4 copper wire, clamped on both ends.
6. Replace the junction box cover.



4-Wire Conduit-Junction Box Connection



3-Wire Conduit-Junction Box Connection with External Ground



3-Wire Conduit-Junction Box Connection

Installation Instructions

Gas Connection

WARNING

- Make sure the gas supply valve is off and that the power to the range is turned off at the circuit breaker or fuse box prior to connecting the gas line.
- Do not apply excessive pressure when tightening gas connections and fittings.
- Do not use Teflon tape or plumber's putty on gas flex line connections.
- Check for gas leaks as instructed below before using the appliance. Do not use a flame to check for leaks.
- For LP installations, the LP gas tank must have its own high pressure regulator. This is in addition to the pressure regulator provided with the range.
- The maximum gas supply pressure to the regulator must never exceed 1/2 pound per square inch (psi) or 3.5 kPa.
- The range and shut-off valve must be disconnected from the gas supply piping during any pressure testing exceeding 1/2 psi (3.5 kPa).
- The range must be isolated from the gas supply piping by closing the shut-off valve during any pressure testing at or below 1/2 psi (3.5 kPa).
- Be careful not to damage the wires inside the chassis while pushing the gas line through the access holes.

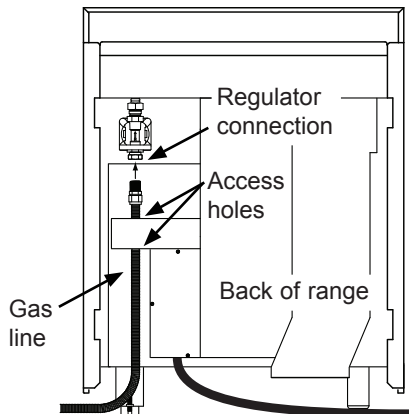
NOTE: The gas pressure regulator is pre-set at the factory for the type of gas intended for use with the appliance. To verify that the appliance is compatible with the type of gas available, check the product data label (see inside cover for location). Ranges intended for use with LP gas will have "LP" as a part of the model number. Consult your dealer if the range is not compatible with the type of gas supplied.

1. Make sure the gas supply valve is in the off position and power to the range is off.
2. Connect a flexible gas supply line to the gas shut-off valve previously installed on the stub out. The gas line needs to be long enough to allow the range to be pulled out for service.
3. Slide the gas line up through the access holes in the chassis and up to the regulator. Move the wires around inside the access holes to prevent them from catching on the gas line as you push it up.
4. Connect the gas line to the regulator.
5. Turn all cooktop control valves to the **OFF** position.



OFF Icon

6. Turn on the gas supply and check all lines and connections for leaks using a soap and water solution.
7. Turn the gas shut-off valve to the off position.

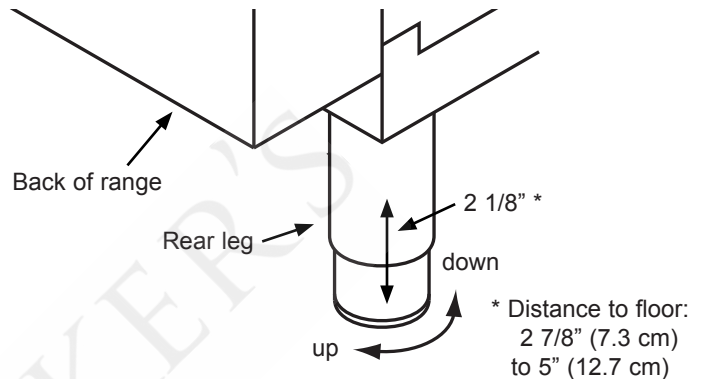


Final Installation

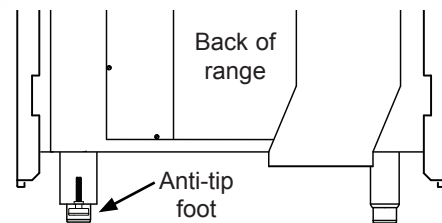
1. Peel the protective plastic coating off of the range, including the range door.
2. Measure from the floor to the countertop.
3. Adjust the leveling legs:

On freestanding units, adjust the leveling legs as required to position the trim around the edge of the cooktop even with or above the countertop.

On self-rimming units, adjust the leveling legs to position the bottom edge of the range top trim slightly above countertop height.

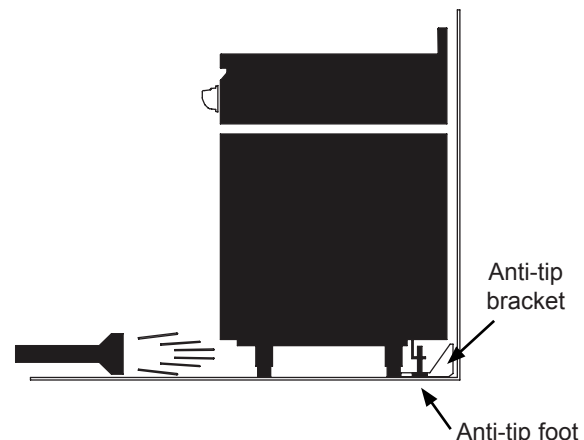


4. Locate the anti-tip foot on the back of the range and lower (turn) it until it is 1/16" (2 mm) off the floor.



Anti-Tip Foot Location

5. Carefully slide the range into position into the cutout. The anti-tip foot should engage the anti-tip bracket. Using a flashlight look underneath the range and verify that the bracket covers the anti-tip foot.



6. Use a level to make sure that the range does not tilt front to back or side to side. Re-adjust the legs to level and change the height if necessary.

Installation Instructions

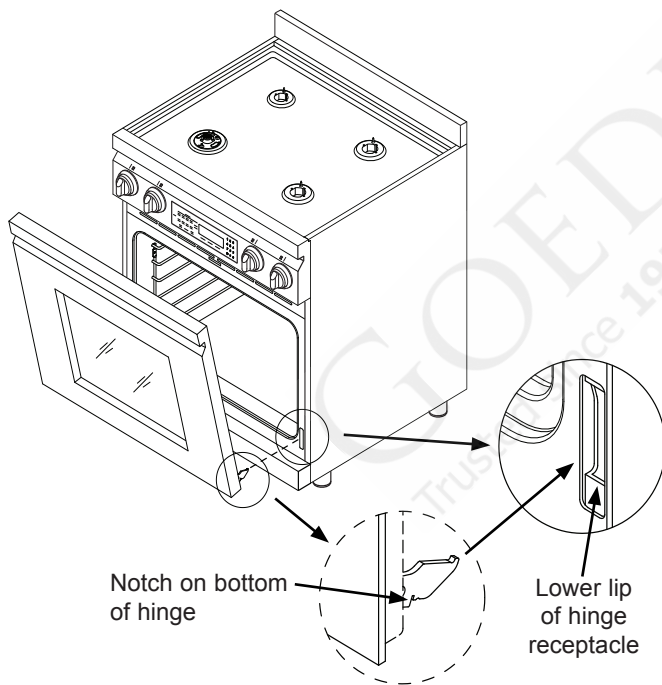
Re-installing the Oven Door

WARNING

To avoid personal injury or damage to the door from it falling off its hinges:

- Make sure that the notch on the bottom of each hinge rests on top of the lower lip of each hinge receptacle before attempting to open the oven door.
- Rotate the hinge locks toward the front of the range immediately after installation of the door.

1. Grasp the oven door on opposite sides and hold it at a 15° angle from the front of the oven. Slide the hinges into the hinge openings, resting the bottom of the hinge arms on the hinge receptacles. Continue to hold the door at a 15° angle with one hand while pushing in on each of the bottom corners of the door. Push until the notch on the bottom of each hinge slips over the lower lip of each hinge receptacle.
2. Lower the door to the fully opened position.
3. Rotate the two hinge locks toward the oven.
4. Slowly and carefully open and close the door completely to ensure that it is properly installed.
5. Remove any packaging from inside the oven.



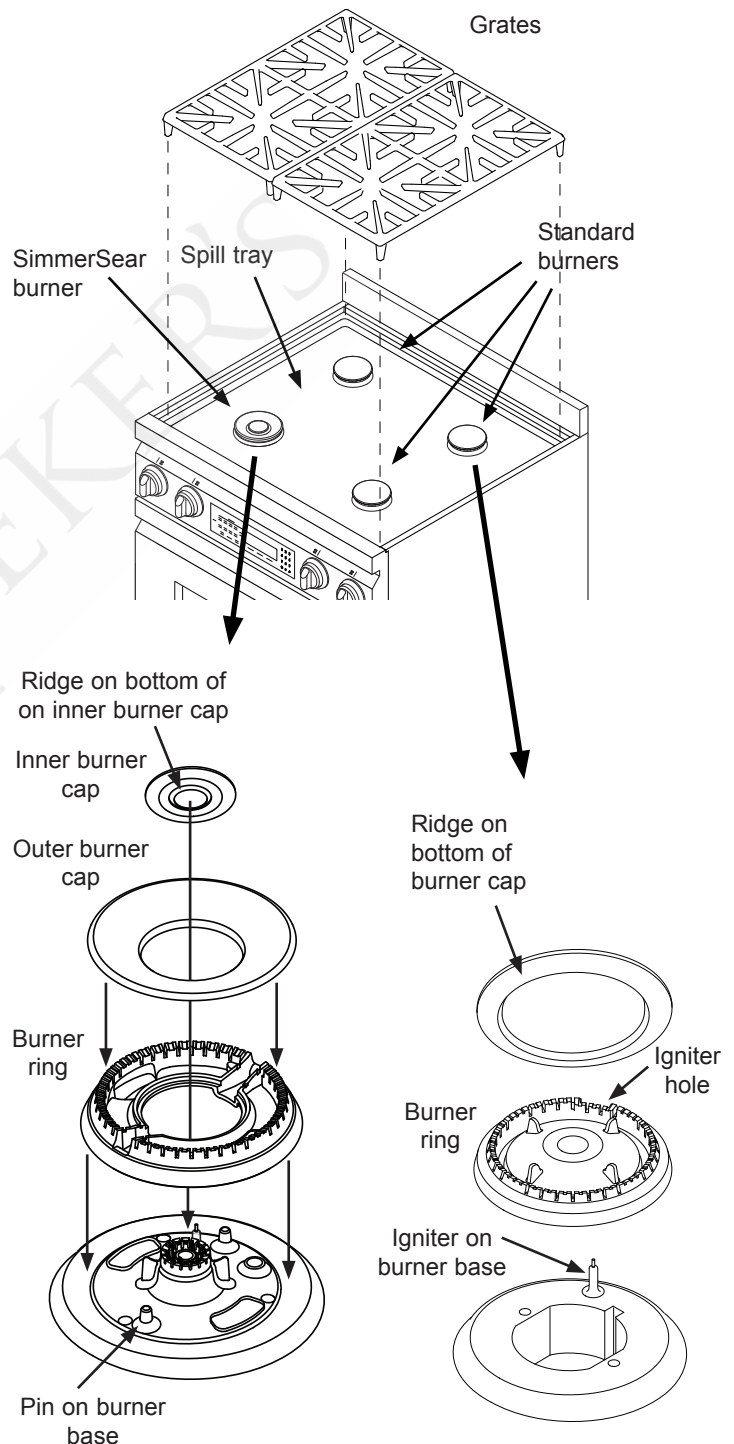
Door Installation

Cooktop Assembly

WARNING

Never attempt to operate the range's cooktop with any of the burner rings, burner caps or grates removed.

1. Remove the burner rings, burner caps and grates from their shipping packages.
2. Assemble the burners and grates as shown below.



SimmerSear Burner Assembly

Standard Burner Assembly

Installation Instructions

Verifying Proper Operation

WARNING

- Before operating the range, read the accompanying use and care manual completely.
- Make sure that power to the range is turned off at the circuit breaker or fuse box and that the gas is turned off at the gas supply valve before proceeding.
- The cooktop must be properly grounded at all times when electrical power is applied.

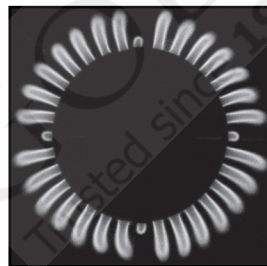
1. Before beginning the test procedure, ensure that all cooktop control valves are in the **OFF** position, and all burner rings, burner caps and grates are properly positioned on the spill tray. Remove any packaging from inside the oven.
2. Turn on the gas supply at the shut-off valve.
3. Plug in the appliance cord, if applicable. Turn on power to the range at the circuit breaker or fuse box.
4. Perform the following ignition test for all of the burners:

- ◇ Push in and turn one of the control knobs counterclockwise to the **HIGH** position. Only the igniter for the selected burner will spark. It may take up to four seconds for the gas to ignite, at which time the igniter will stop sparking. If ignition does not occur within four seconds, turn the knob to the **OFF** position, wait for at least five minutes to allow any gas to dissipate, then repeat the test.



- ◇ Once the burner lights, the control knob can be rotated counterclockwise from **HIGH** to **LOW** to adjust the flame height progressively.

- ◇ When the unit is installed properly, the flame will be steady. It will also have a sharp, blue inner cone that will vary in length proportional to the burner size. The flame will be reduced by the Smart Flame™ feature under the grate fingers to increase grate life.



Normal Flame

5. Set the clock according to the use and care manual.
6. Press the **BAKE** key on the control panel. The default bake temperature should appear on the display.
7. Enter the temperature of 350°F on the keypad.
8. Press **START**. The display should show the **BAKE** symbol and the preheating temperature.
9. After approximately three (3) minutes, the oven should begin to heat. Press the **CANCEL-SECURE** key to stop the oven heating process.



NOTES: If either the oven or cooktop does not operate properly, follow these troubleshooting steps:

1. Verify that power and gas are supplied to the range.
2. Check the electrical connections and gas supply to ensure that the installation has been completed correctly.

3. Repeat the bake test or burner ignition test.
4. If the appliance still does not work, contact Dacor Distinctive Service at (877) 337-3226. Do not attempt to repair the appliance yourself. Have the model and serial numbers available when you call. See inside cover for location.

Dacor is not responsible for the cost of correcting problems caused by a faulty installation.

Installation Checklist

WARNING

To ensure a safe and proper installation, the following checklist should be completed by the installer to ensure that no part of the installation has been overlooked.

- Has the plastic coating been peeled off of the outside of the range? Have all packaging materials been removed from inside the oven?
- Are all leveling legs extended down to make contact with the floor? Is the unit level? See page 18.
- Is the range secured in place with the provided anti-tip bracket and foot according to these instructions? See page 10.
- Is the range wired and grounded according to these instructions and in accordance with all applicable electrical codes? Has the electrical access cover been replaced? See Pages 3 and 16.
- Has the gas supply inlet pressure been measured to ensure that it does not exceed the maximums stated in these instructions? See page 4.
- Is the range connected to the gas supply according to these instructions and in accordance with all applicable codes? See page 18.
- Did the installer check the gas supply for leaks?
- Is the oven door properly installed according to these instructions? See page 19.
- Are the burners and grates properly installed according to these instructions? See page 19.
- Has proper operation been verified?
- Has the warranty been activated on-line or the warranty card been filled out completely and mailed?

GOEDEKER'S
Trusted since 1951

GOEDEKER'S
Trusted since 1951

dacor[®]
The Life of the Kitchen.[®]



Free Manuals Download Website

<http://myh66.com>

<http://usermanuals.us>

<http://www.somanuals.com>

<http://www.4manuals.cc>

<http://www.manual-lib.com>

<http://www.404manual.com>

<http://www.luxmanual.com>

<http://aubethermostatmanual.com>

Golf course search by state

<http://golfingnear.com>

Email search by domain

<http://emailbydomain.com>

Auto manuals search

<http://auto.somanuals.com>

TV manuals search

<http://tv.somanuals.com>