

REFRIGERATOR MODELS: IF36BNDFS, IF36INDFS



CUSTOM OVERLAY PANEL

INSTALLATION INSTRUCTIONS

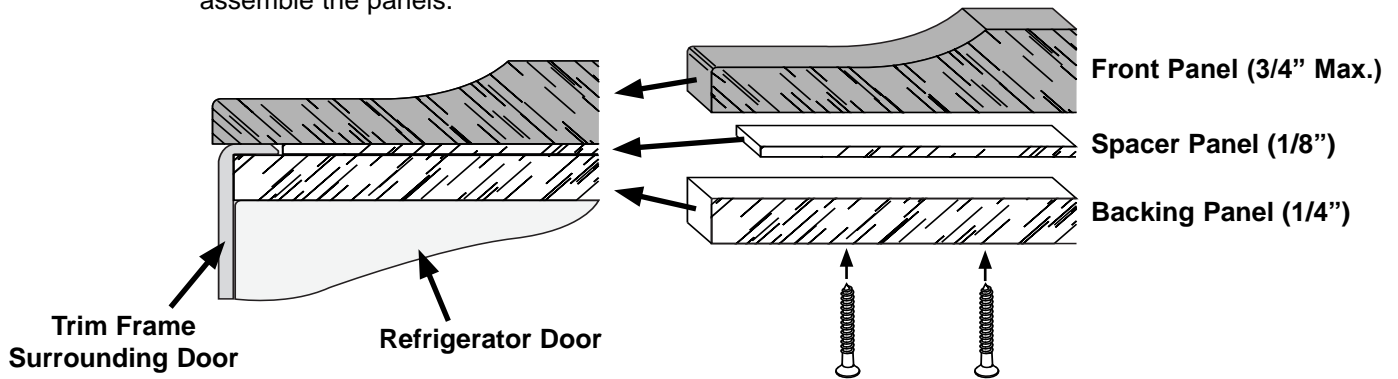
WARNING: Individual door panels must not exceed the maximum weight specifications.

INTRODUCTION

Custom decorator panels cover the door trim of Dacor IF36 series refrigerators for an attractive seamless look that flows into the overall design of the room. Fabricate the panels first, then slide them into the door trim frames. The panels are custom designed and installed by your cabinet maker. **Installation may be accomplished using various methods. Below are three examples.** For additional installation ideas, see the 3-Door Custom Overlay Installation Guide (PN 102426).

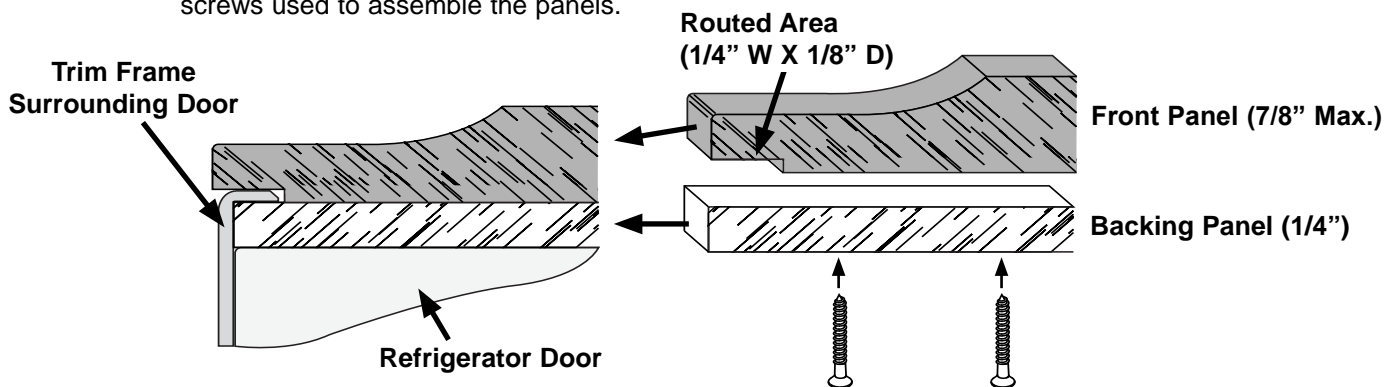
Three Panel Method

The backing panel (1/4" [6 mm] thick) slides behind the trim frames that surround the edges of each door. The spacer (1/8" [3 mm] thick) compensates for the thickness of the trim frame. The decorative front panels (3/4" [19 mm] thick maximum) are designed to match the surrounding cabinets and cover the trim frame around the edges of the door. Countersink the screws used to assemble the panels.



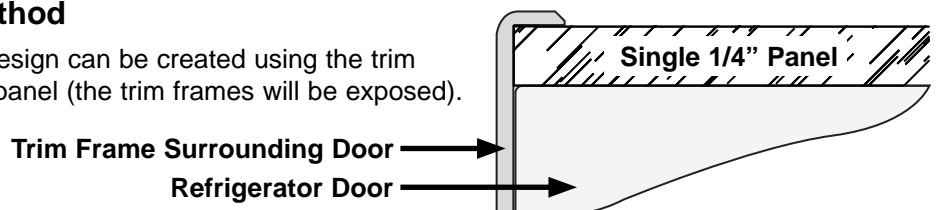
Routed Raised Panel Method

Create a routed raised panel and screw or glue the front panel directly to the 1/4" thick backing panel. Instead of using a spacer panel, route the edges of the front panel to compensate for the trim frame thickness. For the top two doors on three door models, do not route the inner edges because there are no trim frames in the center where the doors come together. Countersink the screws used to assemble the panels.




Single Panel Method


A single 1/4" panel design can be created using the trim frames to frame the panel (the trim frames will be exposed).

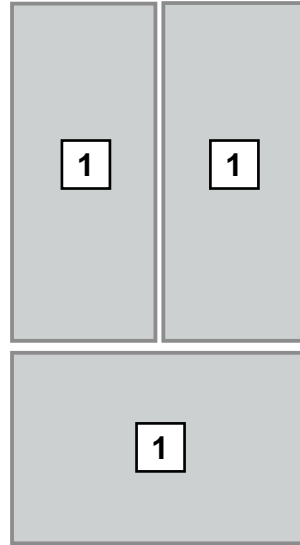


IF36 Panel Overlay Installation

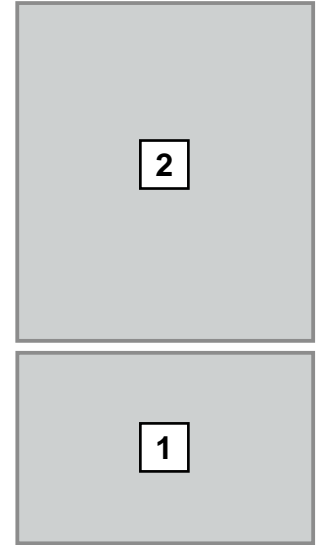
DOOR PANEL WEIGHT SPECIFICATIONS

 Panel Maximum Weight Specifications	
1	15 lb. (7 kg)
2	30 lb. (14kg)


WARNING:
 To prevent the unit from tipping forward and to provide a stable installation, the refrigerator must be secured in place with an anti-tip device.

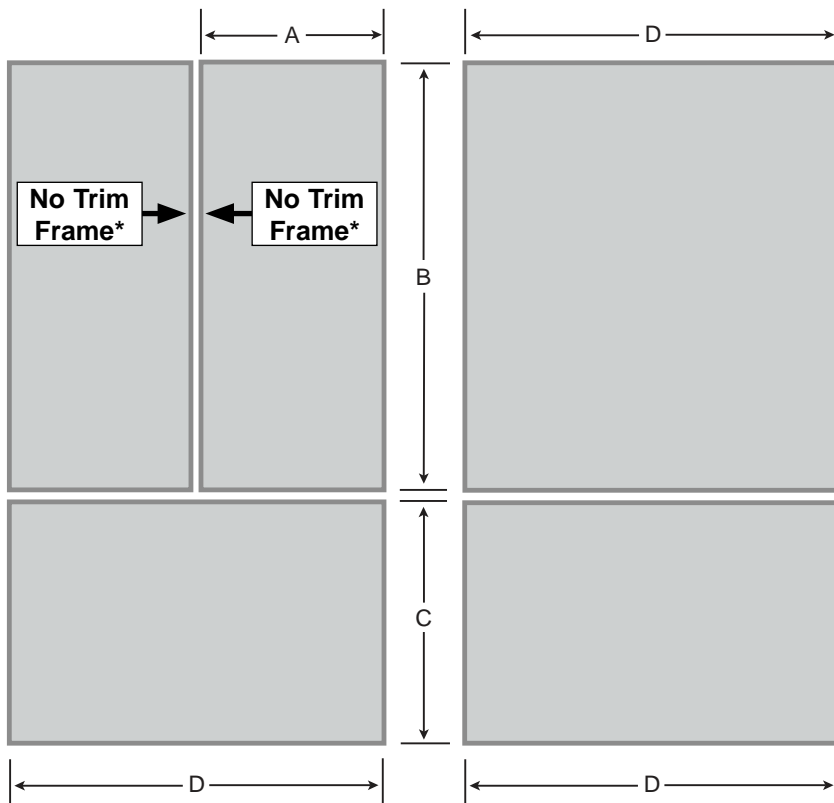


Model: IF36BNDFSF
Three Doors



Model: IF36INDFSF
Two Doors

PANEL SPECIFICATIONS



Three Door Model

Two Door Model

Front Panels

Backing Panel (Thickness = 1/4")	
A*	17 7/8" (45.4 cm)
B	42" (106.7 cm)
C	23 13/16" (60.5 cm)
D	36 3/16" (91.9 cm)

Spacer Panel - Routed Area (Thickness = 1/8")	
A*	17 5/8" (44.8 cm)
B	41 1/2" (105.4 cm)
C	23 5/16" (59.2 cm)
D	35 11/16" (90.6 cm)

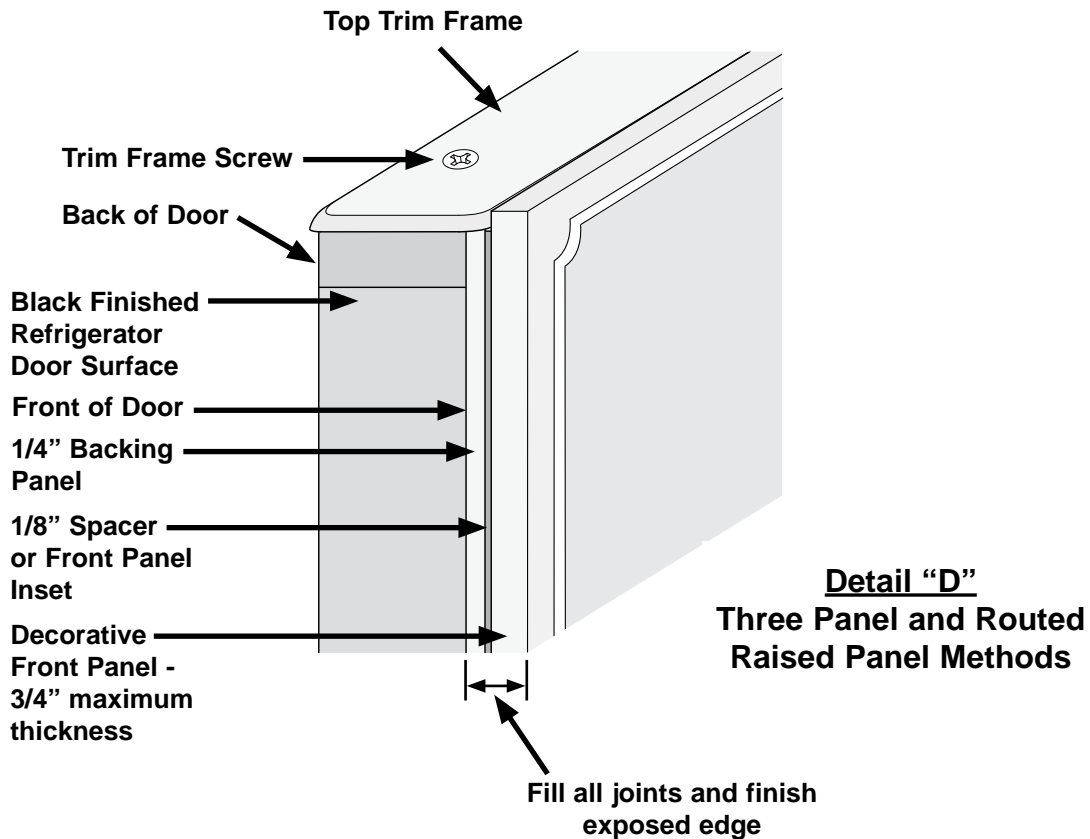
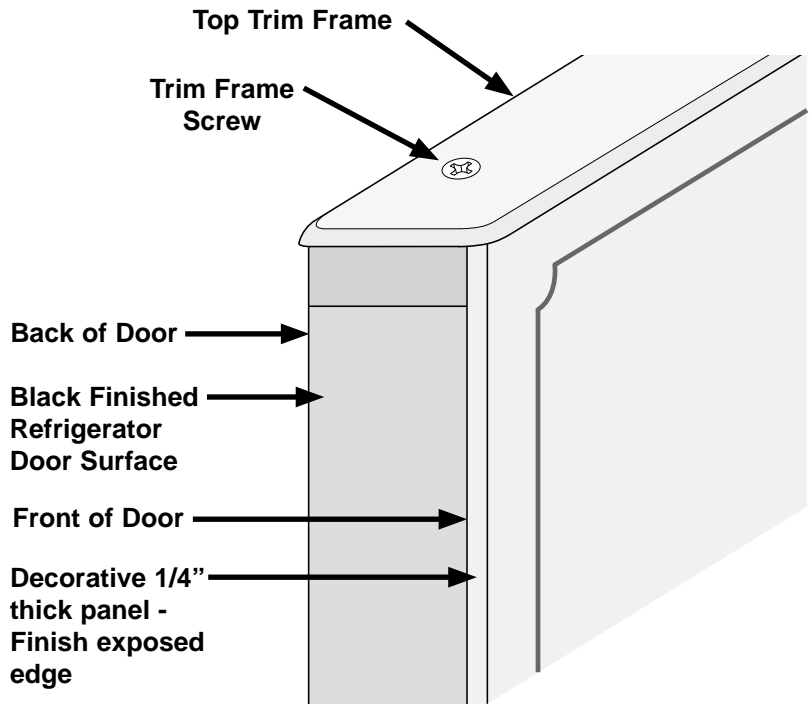
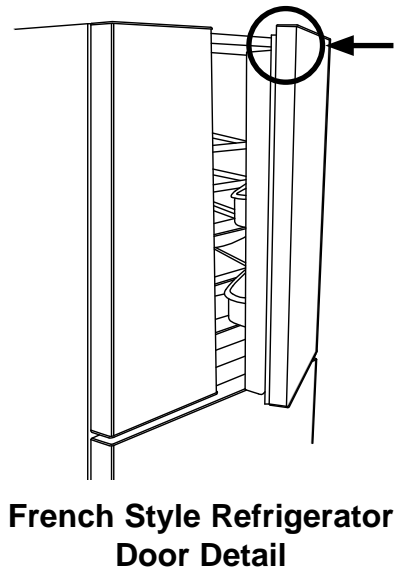
Front Panel (Thickness = 3/4")	
A*	18 1/8" (46.0 cm)
B	42 3/16" (107.2 cm)
C	24" (61.0 cm)
D	36 1/2" (92.7 cm)

* On three door models there are no trim frames on the inner edges of each door. The inner door surfaces must be completely finished for a refined look (see page 3). Stated dimensions are to the finished edge.

NOTE: Modification to the dimensions above may be required to allow for door swing and other considerations depending on the location and type of cabinet installation.

IF36 Panel Overlay Installation

FINISHING THE INNER REFRIGERATOR DOORS EDGES ON THREE DOOR MODELS



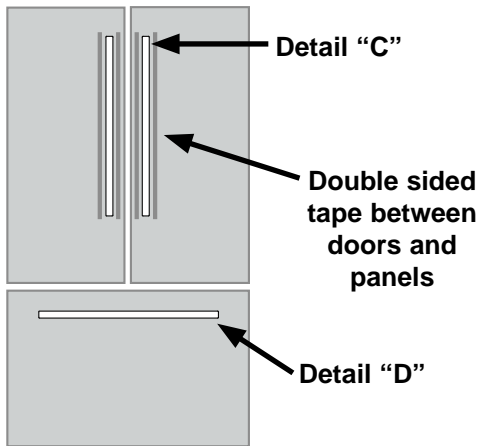
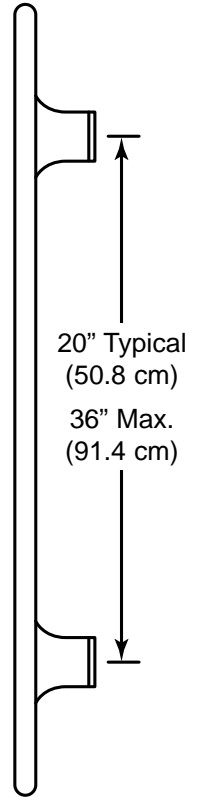
IF36 Panel Overlay Installation

HANDLE DIMENSIONS AND INSTALLATION

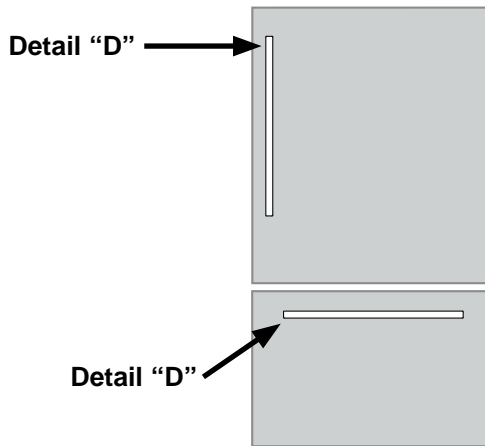
- Before installing a custom panel assembly, you must install the custom handle hardware.
- Dacor recommends handles with larger D-style pulls. If using screws with thick heads, they must be countersunk into the panel before installing the handles.
- Any handle designed for use with an appliance should produce satisfactory results.
- Mounting screw length varies with the total thickness of the panels.
- On two door models: The top handle is mounted on the left or right side of the door depending on door swing.

IMPORTANT: Dacor advises not using single pull knobs.

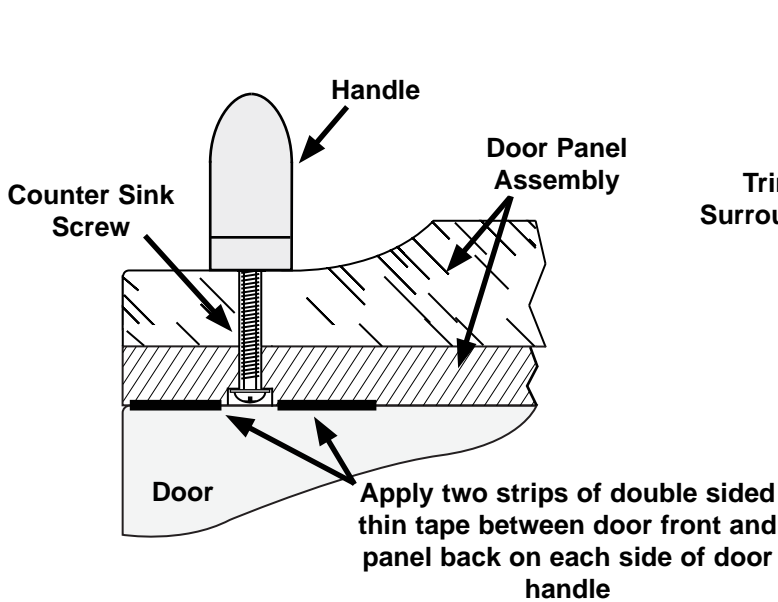
Example of Door Handle



Three Door Model

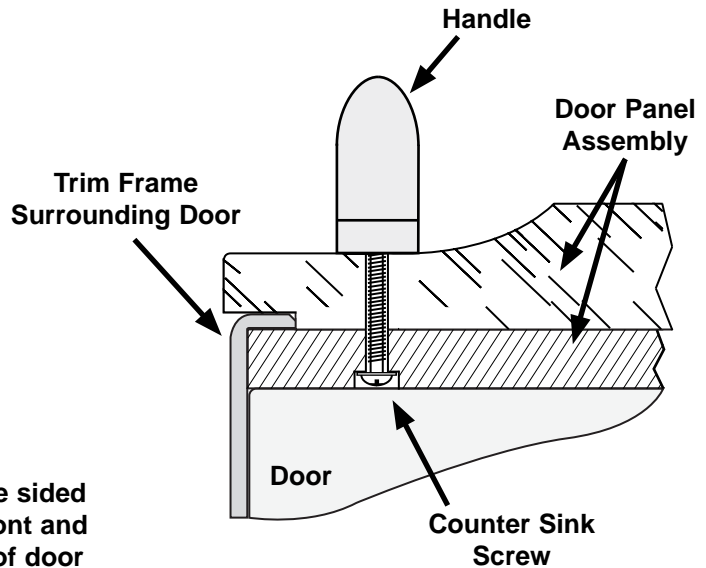


Two Door Model



Detail "C"

Side View - Handle Installation on Top Doors on three Door Model



Detail "D"

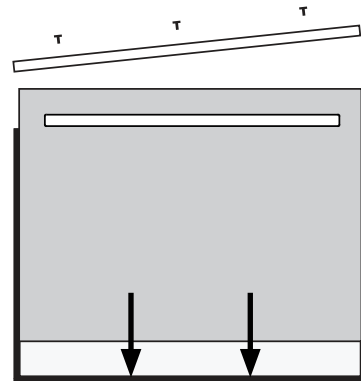
Side View - Handle Installation on All Other Doors

IF36 Panel Overlay Installation

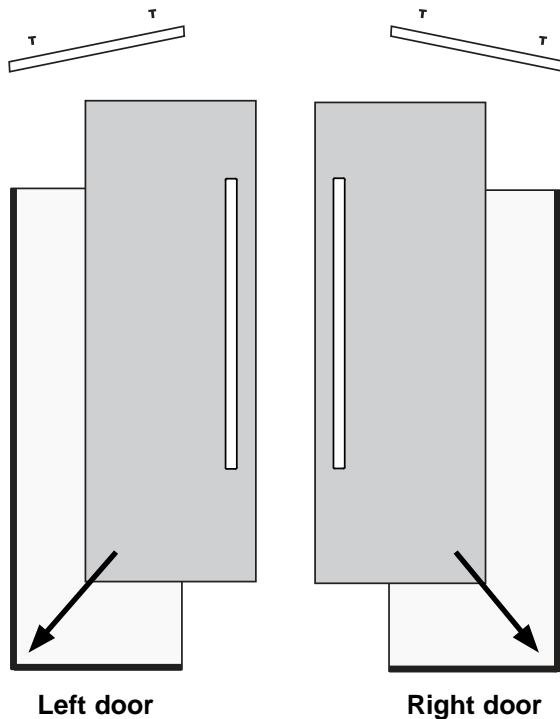
PANEL INSTALLATION

NOTE: Remove the top door(s) to make panel installation easier. On three door models secure the inner edges of the overlays to the door where there are no trim frames using double sided tape.

- With a Phillips screwdriver, remove the trim screws from the top trim frame on the freezer and refrigerator door(s).
- Remove the trim.
- Lower the overlay panel into the trim frames on the door.
- With the panel in position, replace the top trim. Be sure that the panel is inserted completely into the channel for proper fit and alignment.



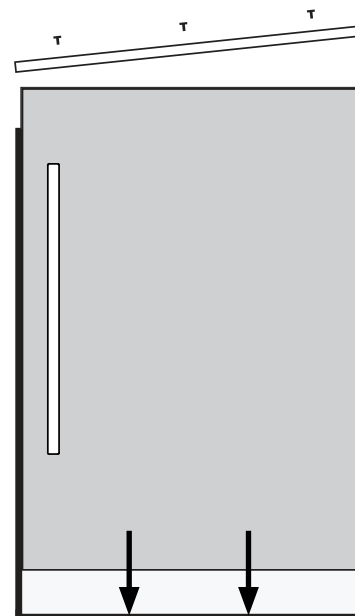
**Freezer Door
(Bottom - both models)**



Left door

Right door

Three door models



Two door models

Refrigerator Doors (Top)

IF36 Panel Overlay Installation

NOTES

IF36 Panel Overlay Installation

NOTES

**Specifications subject to change without notice.
Dacor assumes no liability for changes to specifications.**

dacor[®]
The Life of the Kitchen.[®]

Dacor Corporation • 1440 Bridge Gate Drive, Diamond Bar, CA 91765 • Tel: (800) 793-0093 • FAX: (626) 403-3130 • www.Dacor.com

Download from Www.Somanuals.com. All Manuals Search And Download.

Free Manuals Download Website

<http://myh66.com>

<http://usermanuals.us>

<http://www.somanuals.com>

<http://www.4manuals.cc>

<http://www.manual-lib.com>

<http://www.404manual.com>

<http://www.luxmanual.com>

<http://aubethermostatmanual.com>

Golf course search by state

<http://golfingnear.com>

Email search by domain

<http://emailbydomain.com>

Auto manuals search

<http://auto.somanuals.com>

TV manuals search

<http://tv.somanuals.com>