

S/M No : TCM405FEF0

Service Manual

Color Television

CHSSIS	MODEL
CM-405F	DTH-2930SSFV



Caution

: In this Manual, some parts can be changed for improving. their performance without notice in the parts list. So, if you need the latest parts information, please refer to PPL(Parts Price List)in Service Information Center.



MAY. 2006

TABLE OF CONTENTS

SAFETY PRECAUTIONS	2
SPECIFICATIONS	5
CIRCUIT BLOCK DIAGRAM	6
ALIGNMENT INSTRUCTIONS	7
YOUR REMOTE CONTROL	7
SERVICE MODE ADJUSTMENT	8
ASSEMBLY ADJUSTMENT	10

APPENDIX(Appendix is provide only by internet[<http://svc.dwe.co.kr>])

IC DESCRIPTION	14
UOC III SERIES	14
TDA8358J VERTICAL AMPLIFIER	22
TDA6107AJF	24
24WC16-16 KB EEPROM	25
LA42072N-E AUDIO AMPLIFIER	26
STR-W6735/56	27
WAVEFORMS	28
TROUBLE SHOOTING GUIDE	30
NO POWER	30
NO PICTURE	31
NO SOUND	32
CH DON'T MEMORY or SKIP	33
NO COLOR	34
NO VERTICAL DEFLECTION	34
REMOTE CONTROL DOESNOT OPERATE	35
ELECTRICAL PARTS LIST	36
PRINTED CIRCUIT BOARD	48
SCHEMATIC DIAGRAM	50
EXPLODE VIEW	52

SAFETY PRECAUTIONS

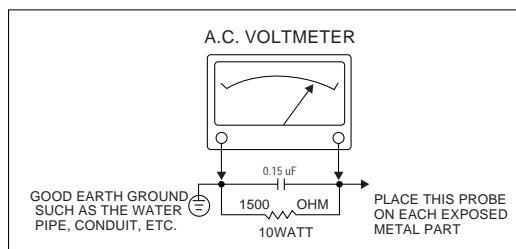
CAUTION : DO NOT ATTEMPT TO MODIFY THIS PRODUCT IN ANY WAY. NEVER PERFORM CUSTOMIZED INSTALLATIONS WITHOUT MANUFACTURER'S APPROVAL. UNAUTHORIZED MODIFICATIONS WILL NOT ONLY VOID THE WARRANTY, BUT MAY LEAD TO YOUR BEING LIABLE FOR ANY RESULTING PROPERTY DAMAGE OR USER INJURY. SERVICE WORK SHOULD BE PERFORMED ONLY AFTER YOU ARE THOROUGHLY FAMILIAR WITH ALL OF THE FOLLOWING SAFETY CHECKS AND SERVICING GUIDELINES. TO DO OTHERWISE, INCREASES THE RISK OF POTENTIAL HAZARDS AND INJURY TO THE USER. WHILE SERVICING, USE AN ISOLATION TRANSFORMER FOR PROTECTION FROM A.C. LINE SHOCK.

SAFETY CHECKS

AFTER THE ORIGINAL SERVICE PROBLEM HAS BEEN CORRECTED, A CHECK SHOULD BE MADE OF THE FOLLOWING:

SUBJECT: FIRE & SHOCK HAZARD

1. BE SURE THAT ALL COMPONENTS ARE POSITIONED IN SUCH A WAY AS TO AVOID POSSIBILITY OF ADJACENT COMPONENT SHORTS. THIS IS ESPECIALLY IMPORTANT ON THOSE MODULES WHICH ARE TRANSPORTED TO AND FROM THE REPAIR SHOP.
2. NEVER RELEASE A REPAIR UNLESS ALL PROTECTIVE DEVICES SUCH AS INSULATORS, BARRIERS, COVERS, SHIELDS, STRAIN RELIEFS, POWER SUPPLY CORDS, AND OTHER HARDWARE HAVE BEEN REINSTALLED PER ORIGINAL DESIGN. BE SURE, THAT THE SAFETY PURPOSE OF THE POLARIZED LINE PLUG HAS NOT BEEN DEFEATED.
3. SOLDERING MUST BE INSPECTED TO DISCOVER POSSIBLE COLD SOLDER JOINTS, SOLDER SPLASHES OF SHARP SOLDER POINTS. BE CERTAIN TO REMOVE ALL LOOSE FOREIGN PARTICLES.
4. CHECK FOR PHYSICAL EVIDENCE OF DAMAGE OR DETERIORATION TO PARTS AND COMPONENTS, FOR FRAYED LEADS, DAMAGED INSULATION (INCLUDING A.C. CORD), AND REPLACE IF NECESSARY. FOLLOW ORIGINAL LAYOUT, LEAD LENGTH AND DRESS.
5. NO LEAD OR COMPONENT SHOULD TOUCH A RECEIVING TUBE OR A RESISTOR RATED AT 1 WATT OR MORE. LEAD TENSION AROUND PROTRUDING METAL SURFACES MUST BE AVOIDED.
6. ALL CRITICAL COMPONENTS SUCH AS FUSES, FLAMEPROOF RESISTOR, CAPACITORS, ETC. MUST BE REPLACED WITH EXACT FACTORY TYPES. DO NOT USE REPLACEMENT COMPONENTS OTHER THAN THOSE SPECIFIED OR MAKE UNRECOMMENDED CIRCUIT MODIFICATIONS.
7. AFTER RE-ASSEMBLY OF THE SET ALWAYS PERFORM AN A.C. LEAKAGE TEST ON ALL EXPOSED METALLIC PARTS OF THE CABINET. (THE CHANNEL SELECTOR KNOB, ANTENNA TERMINALS, HANDLE AND SCREWS) TO BE SURE THE SET IS SAFE TO OPERATE WITHOUT DANGER OF ELECTRICAL SHOCK. DO NOT USE A LINE ISOLATION TRANSFORMER DURING THIS TEST USE AN A.C. VOLTMETER, HAVING 5000 OHMS PER VOLT OR MORE SENSITIVITY, IN THE FOLLOWING MANNER : CONNECT A 1500 OHM 10 WATT RESISTOR, PARALLELED BY A .15 MFD. 150V A.C. TYPE CAPACITOR BETWEEN A KNOWN GOOD EARTH GROUND (WATER PIPE, CONDUIT, ETC.) AND THE EXPOSED METALLIC PARTS, ONE AT A TIME. MEASURE THE A.C. VOLTAGE ACROSS THE COMBINATION OF 1500 OHM RESISTOR AND .15 MFD CAPACITOR. REVERSE THE A.C. PLUG AND REPEAT A.C. VOLTAGE MEASUREMENTS FOR EACH EXPOSED METALLIC PART. VOLTAGE MEASURED MUST NOT EXCEED .75 VOLTS R.M.S THIS CORRESPONDS TO 0.5 MILLIAMPS A.C. ANY VALUE EXCEEDING THIS LIMIT CONSTITUTES A POTENTIAL SHOCK HAZARD AND MUST BE CORRECTED IMMEDIATELY.



SUBJECT : GRAPHIC SYMBOLS



THE LIGHTNING FLASH WITH ARROWHEAD SYMBOL, WITHIN AN EQUILATERAL TRIANGLE, IS INTENDED TO ALERT THE SERVICE PERSONNEL TO THE PRESENCE OF UNINSULATED "DANGEROUS VOLTAGE" THAT MAY BE OF SUFFICIENT MAGNITUDE TO CONSTITUTE A RISK OF ELECTRIC SHOCK.



THE EXCLAMATION POINT WITHIN AN EQUILATERAL TRIANGLE IS INTENDED TO ALERT THE SERVICE PERSONNEL TO THE PRESENCE OF IMPORTANT SAFETY INFORMATION ON SERVICE LITERATURE.

SUBJECT : X-RADIATION

1. BE SURE PROCEDURES AND INSTRUCTIONS TO ALL SERVICE PERSONNEL COVER THE SUBJECT OF X-RADIATION. THE ONLY POTENTIAL SOURCE OF X-RAYS IN CURRENT T.V. RECEIVERS IS THE PICTURE TUBE. HOWEVER, THIS TUBE DOES NOT EMIT X-RAYS WHEN THE HIGH VOLTAGE IS AT THE FACTORY SPECIFIED LEVEL. THE PROPER VALUE IS GIVEN IN THE APPLICABLE SCHEMATIC. OPERATION AT HIGHER VOLTAGES MAY CAUSE A FAILURE OF THE PICTURE TUBE OR HIGH VOLTAGE SUPPLY AND UNDER CERTAIN CIRCUMSTANCES, MAY PRODUCE RADIATION IN EXCESS OF DESIRABLE LEVELS.
2. ONLY FACTORY SPECIFIED C.R.T ANODE CONNECTORS MUST BE USED. DEGAUSSING SHIELDS ALSO SERVE AS X-RAY SHIELD IN COLOR SETS. ALWAYS RE-INSTALL THEM.
3. IT IS ESSENTIAL THAT SERVICE PERSONNEL HAVE AVAILABLE AN ACCURATE AND RELIABLE HIGH VOLTAGE METER. THE CALIBRATION OF THE METER SHOULD BE CHECKED PERIODICALLY AGAINST A REFERENCE STANDARD. SUCH AS THE ONE AVAILABLE AT YOUR DISTRIBUTOR.
4. WHEN THE HIGH VOLTAGE CIRCUITRY IS OPERATING PROPERLY THERE IS NO POSSIBILITY OF AN X-RADIATION PROBLEM. EVERY TIME A COLOR CHASSIS IS SERVICED, THE BRIGHTNESS SHOULD BE RUN UP AND DOWN WHILE MONITORING THE HIGH VOLTAGE WITH A METER TO BE CERTAIN THAT THE HIGH VOLTAGE DOES NOT EXCEED THE SPECIFIED VALUE AND THAT IT IS REGULATING CORRECTLY. WE SUGGEST THAT YOU AND YOUR SERVICE ORGANIZATION REVIEW TEST PROCEDURES SO THAT VOLTAGE REGULATION IS ALWAYS CHECKED AS A STANDARD SERVICING PROCEDURE, AND THAT THE HIGH VOLTAGE READING BE RECORDED ON EACH CUSTOMER'S INVOICE.
5. WHEN TROUBLESHOOTING AND MAKING TEST MEASUREMENTS IN A PRODUCT WITH A PROBLEM OF EXCESSIVE HIGH VOLTAGE, AVOID BEING UNNECESSARILY CLOSE TO THE PICTURE TUBE AND THE HIGH VOLTAGE SUPPLY. DO NOT OPERATE THE PRODUCT LONGER THAN IS NECESSARY TO LOCATE THE CAUSE OF EXCESSIVE VOLTAGE.
6. REFER TO HV, B+ AND SHUTDOWN ADJUSTMENT PROCEDURES DESCRIBED IN THE APPROPRIATE SCHEMATIC AND DIAGRAMS (WHERE USED).

SUBJECT : IMPLOSION

1. ALL DIRECT VIEWED PICTURE TUBES ARE EQUIPPED WITH AN INTEGRAL IMPLOSION PROTECTION SYSTEM. BUT CARE SHOULD BE TAKEN TO AVOID DAMAGE DURING INSTALLATION. AVOID SCRATCHING THE TUBE. OF SCRATCHED REPLACE IT.
2. USE ONLY RECOMMENDED FACTORY REPLACEMENT TUBES.

SUBJECT : TIPS ON PROPER INSTALLATION

1. NEVER INSTALL ANY PRODUCT IN A CLOSED-IN RECESS, CUBBYHOLE OR CLOSELY FITTING SHELF SPACE, OVER OR CLOSE TO HEAT DUCT, OR IN THE PATH OF HEATED AIR FLOW.
2. AVOID CONDITIONS OF HIGH HUMIDITY SUCH AS: OUTDOOR PATIO INSTALLATIONS WHERE DEW IS A FACTOR, NEAR STEAM RADIATORS WHERE STEAM LEAKAGE IS A FACTOR, ETC.
3. AVOID PLACEMENT WHERE DRAPERIES MAY OBSTRUCT REAR VENTING. THE CUSTOMER SHOULD ALSO AVOID THE USE OF DECORATIVE SCARVES OR OTHER COVERINGS WHICH MIGHT OBSTRUCT VENTILATION.
4. WALL AND SHELF MOUNTED INSTALLATIONS USING A COMMERCIAL MOUNTING KIT, MUST FOLLOW THE FACTORY APPROVED MOUNTING INSTRUCTIONS. A PRODUCT MOUNTED TO A SHELF OR PLATFORM MUST RETAIN ITS ORIGINAL FEET (OR THE EQUIVALENT THICKNESS IN SPACERS) TO PROVIDE ADEQUATE AIR FLOW ACROSS THE BOTTOM, BOLTS OR SCREWS USED FOR FASTENERS MUST NOT TOUCH ANY PARTS OR WIRING. PERFORM LEAKAGE TEST ON CUSTOMIZED INSTALLATIONS.
5. CAUTION CUSTOMERS AGAINST THE MOUNTING OF A PRODUCT ON SLOPING SHELF OR A TILTED POSITION, UNLESS THE PRODUCT IS PROPERLY SECURED.
6. A PRODUCT ON A ROLL-ABOUT CART SHOULD BE STABLE ON ITS MOUNTING TO THE CART. CAUTION THE CUSTOMER ON THE HAZARDS OF TRYING TO ROLL A CART WITH SMALL CASTERS ACROSS THRESHOLDS OR DEEP PILE CARPETS.
7. CAUTION CUSTOMERS AGAINST THE USE OF A CART OR STAND WHICH HAS NOT BEEN LISTED BY UNDERWRITERS LABORATORIES, INC. FOR USE WITH THEIR SPECIFIC MODEL OF TELEVISION RECEIVER OR GENERALLY APPROVED FOR USE WITH T.V.S OF THE SAME OR LARGER SCREEN SIZE.
8. CAUTION CUSTOMERS AGAINST THE USE OF EXTENSION CORDS, EXPLAIN THAT A FOREST OF EXTENSIONS SPROUTING FROM A SINGLE OUTLET CAN LEAD TO DISASTROUS CONSEQUENCES TO HOME AND FAMILY.

SAFETY PRECAUTIONS

CAUTION : Do not attempt to modify this product in any way. Unauthorized modifications will not only void the warranty, but may lead to your being liable for any resulting property damage or user injury.

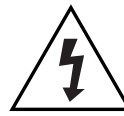
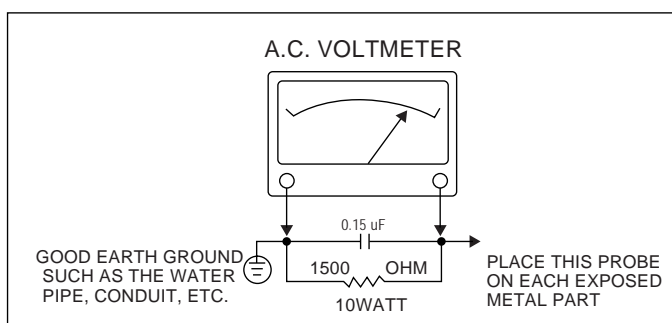
Service work should be performed only after you are thoroughly familiar with all of the following safety checks and servicing guide-lines. To do otherwise, increases the risk of potential hazards and injury to the user.

SAFETY CHECKS

After the original service problem has been corrected, a check should be made of the following:

SUBJECT : FIRE & SHOCK HAZARD

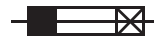
1. Be sure that all components are positioned in such a way as to avoid possibility of adjacent component shorts. This is especially important on those chassis which are transported to and from the repair shop.
2. Never release a repair unless all protective devices such as insulators, barriers, covers, shields, strain reliefs, and other hardware have been reinstalled per original design.
3. Soldering must be inspected to discover possible cold solder joints, frayed leads, damaged insulation (including A.C. cord), solder splashes or sharp solder points. Be certain to remove all loose foreign particles.
4. Check for physical evidence of damage or deterioration to parts and components, and replace if necessary follow original layout, lead length and dress.
5. No leads or components should touch a receiving tube or a resistor rated at 1 watt or more. Lead tension around protruding metal surfaces must be avoided.
6. All critical components such as fuses, flameproof resistors, capacitors, etc. must be replaced with exact factory types. Do not use replacement components other than those specified or make unrecommended circuit modifications.
7. After re-assembly of the set always perform an A.C. leakage test on all exposed metallic parts of the cabinet, (the channel selector knob, antenna terminals, handle and screws) to be sure the set is safe to operate without danger of electrical shock. Do not use a line isolation transformer during this test. Use an A.C. voltmeter, having 5000 ohms per volt or more sensitivity, in the following manner : connect a 1500 ohm 10 watt resistor, paralleled by a 15 mfd. 150V A.C. type capacitor between a known good earth ground (water pipe, conduit, etc.) and the exposed metallic parts, one at a time. Measure the A.C. voltage across the combination of 1500 ohm resistor and 0.15 MFD capacitor. Reverse the A.C. plug and repeat A.C. voltage measurements for each exposed metallic part. Voltage measured must not exceed 0.75 volts R.M.S. This corresponds to 0.5 milliamp A.C. Any value exceeding this limit constitutes a potential shock hazard and must be corrected immediately.



The lightning flash with arrowhead symbol, within an equilateral triangle, is intended to alert the service personnel to the presence of uninsulated "dangerous voltage" that may be of sufficiently magnitude to constitute a risk of electric shock.



The exclamation point within an equilateral triangle is intended to alert the service personnel to the presence of important safety information in service literature.



Fuse symbol is printed on pcb adjacent to the fuse, with "RISK OF FIRE REPLACE FUSE AS MARKED". The symbol is explained in the service manual with the following wording or equivalent.

CAUTION : FOR CONTINUED PROTECTION AGAINST FIRE HAZARD, REPLACE ONLY WITH SAME TYPE (5A, 250V)" and **ATTENTION:** AFIN D'ASSURER UNE PROTECTION PERMANENTE CONTRE LES RISQUES D'INCENDIE, REMPLACER UNIQUEMENT PAR UN FUSIBLE DE MEME TYPE ET DE "5A, 250V".

SUBJECT : X-RADIATION

1. Be sure procedures and instructions to all service personnel cover the subject of X-rays in current T.V. receivers is the picture tube. However, this tube does not emit X-rays when the high voltage is at the factory specified level. The proper value is given in the applicable schematic. Operation at higher voltages may cause a failure of the picture tube or high voltage supply and, under certain circumstances, may produce radiation in excess of desirable levels.
2. Only factory specified C.R.T. anode connectors must be used. Degaussing shields also serve as X-ray shield in color sets. Always re-install them.
3. It is essential that the serviceman has available an accurate and reliable high voltage meter. The calibration of the meter should be checked periodically against a reference standard. Such as the one available at your distributor.
4. When the high voltage circuitry is operating properly there is no possibility of an X-radiation problem. Every time a color chassis is serviced, the brightness should be run up and down while monitoring the high voltage with a meter to be certain that the high voltage does not exceed the specified value and that it is regulating correctly. We suggest that you and your service organization review test procedures so that voltage regulation is always checked as a standard servicing procedure. And that the high voltage reading be recorded on each customer's invoice.
5. When troubleshooting and making test measurements in a receiver with a problem of excessive high voltage, avoid being unnecessarily close to the picture tube and the high voltage compartment. Do not operate the chassis longer than is necessary to locate the cause of excessive voltage.
6. Refer to HV, B+ and Shutdown adjustment procedures described in the appropriate schematic and diagrams (where used).

SAFETY PRECAUTIONS

SUBJECT : IMPLOSION

1. All direct viewed picture tubes are equipped with an integral implosion protection system, but care should be taken to avoid damage during installation. Avoid scratching the tube. If scratched, replace it.
2. Use only recommended factory replacement tubes.

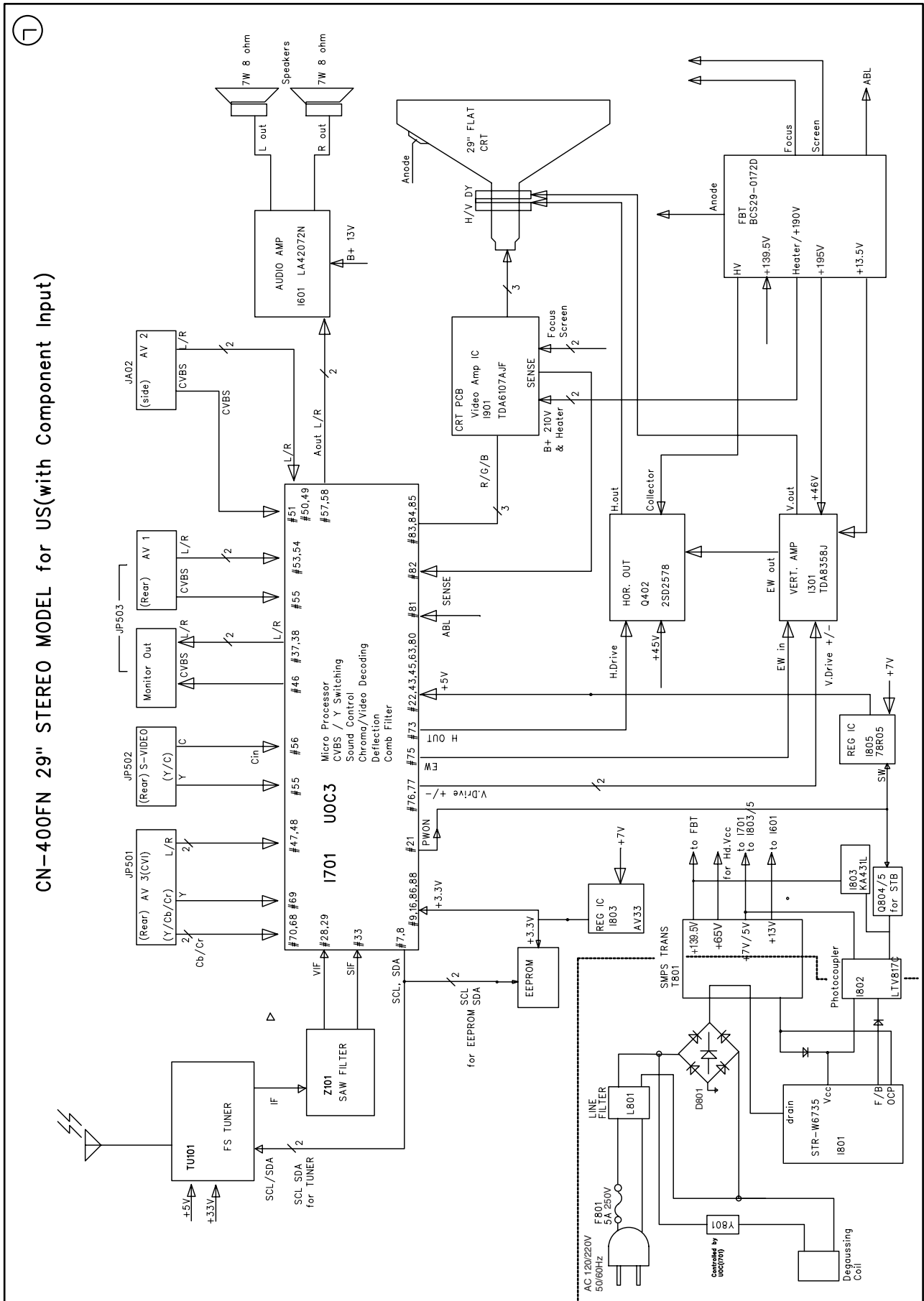
SUBJECT : TIPS ON PROPER INSTALLATION

1. Never install any receiver in closed-in recess, cubbyhole or closely fitting shelf space over, or close to heat duct, or in the path of heated air flow.
2. Avoid conditions of high humidity such as : Outdoor patio installations where dew is a factor. Near steam radiators where steam leakage is a factor, etc.
3. Avoid placement where draperies may obstruct rear venting. The customer should also avoid the use of decorative scarves or other coverings which might obstruct ventilation.
4. Wall and shelf mounted installations using a commercial mounting kit, must follow the factory approved mounting instructions. A receiver mounted to a shelf or platform must retain its original feet(or the equivalent thickness in spacers) to provide adequate are flow across the bottom, bolts or screws used for fasteners must not touch and parts or wiring. Perform leakage test on cus-tomized installations.
5. Caution customers against the mounting of a receiver on sloping shelf or a tilted position, unless the receiver is properly secured.
6. A receiver on a roll-about cart should be stable on its mounting to the cart. Caution the customer on the hazards of trying to roll a cart with small casters across thresholds or deep pile carpets.
7. Caution customers against the use of a cart or stand which has not been listed by underwriters laboratories, inc. For use with their specific model of television receiver or generically approved for use with T.V.'s of the same or larger screen size.

SPECIFICATION

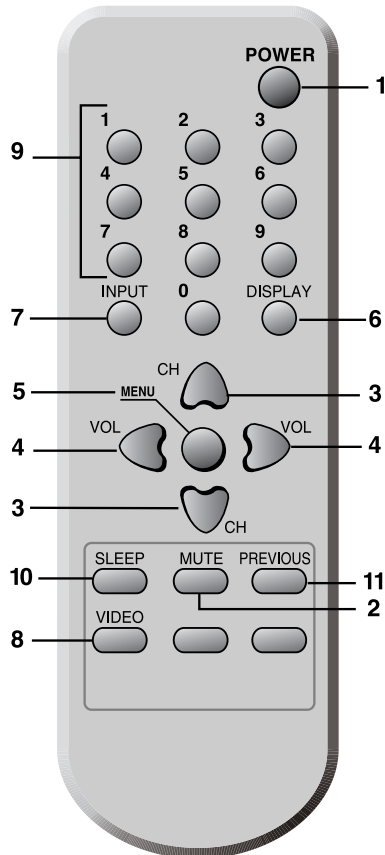
Item	Model	DTH-2930SSFV
CHASSIS		CM-405F
TV Standard		NTSC-M, PAL-M, PAL-N
Power Input		AC 110-220V, 50/60Hz
Power Consumption		110W
Tuning System		Frequency Synthesizer(FS) Tuning System
Tuning Ranges		TV VHF(L) : CH2 - CH6 UHF(H) : CH7 - CH13 UHF : CH14 - CH69 CATV VHF(L) : 5A, A,B,A-5-A-1,CH2-CH6 VHF(H) : C-W+11,CH7 - CH13 UHF : W+12-W+84"
Sound Output		6W + 6W
Speaker		8 ohm 12W x 2EA
Antenna Input Impedance		75 ohm Unbalanced
Auxiliary Input Terminal		Side : Video, Audio(L,R) - AV2 Rear : Video, Audio(L,R) - AV1 S-Video Y, Cb, Cr, Audio(L,R) - CVI
Auxiliary Output Terminal		Rear : Video, Audio(L,R) - MONITOR OUT
Intermediate Frequencies		Picture IF Carrier Frequency : 45.75MHz Sound IF Carrier Frequency : 41.25MHz Color Sub-Carrier Frequency : NTSC-M : 3.579545 Mhz PAL-N : 3.582056 Mhz PAL-M : 3.575611 Mhz
Remote Control		R-48C04/R-48C12(AAA)
Special Function		1) Closed Caption 2) Channel Label

CIRCUIT BLOCK DIAGRAM



ALIGNMENT INSTRUCTION

Your Remote Control(R-48C04)



1. POWER

Use this button to turn your TV on or off.

2. MUTE

Use to turn the TV's sound on and off.

3. ▼ CH ▲

Use these buttons to change channels on your TV, or select items in the menu system.

4. ◀ VOL ▶

Use these buttons to change your TV's volume, to activate selections in the menu system, or to change audio and video settings.

5. MENU

Use this button to turn the TV's menu system on and off.

6. DISPLAY

Use this button to display the present status.

7. INPUT

Use this button to select the TV's signal source.

8. VIDEO

Use this button to display video adjustment items.

9. 0-9

Use these buttons to change channels.

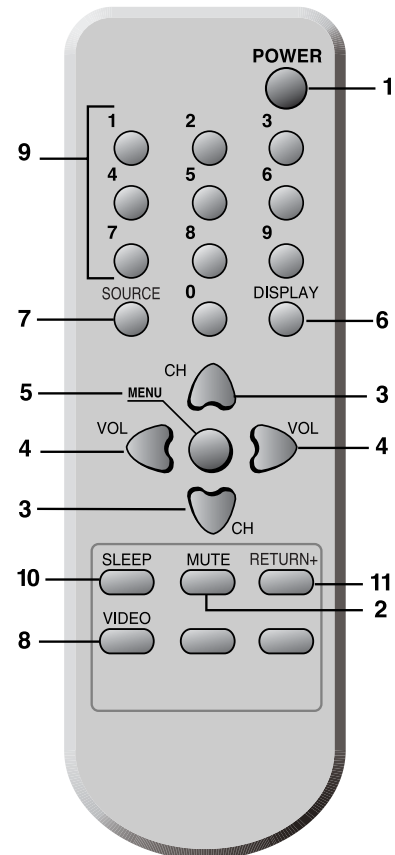
10. SLEEP

Use this button to program the TV to turn off after a certain time.

11. PREVIOUS

Use this button to return to the previous channel you were watching.

R-48C12



1. POWER

Use this button to turn your TV on or off.

2. MUTE

Use to turn the TV's sound on and off.

3. ▼ CH ▲

Use these buttons to change channels on your TV, or select items in the menu system.

4. ◀ VOL ▶

Use these buttons to change your TV's volume, to activate selections in the menu system, or to change audio and video settings.

5. MENU

Use this button to turn the TV's menu system on and off.

6. DISPLAY

Use this button to display the present status.

7. SOURCE

Use this button to select the TV's signal source.

8. VIDEO

Use this button to display video adjustment items.

9. 0-9

Use these buttons to change channels.

10. SLEEP

Use this button to program the TV to turn off after a certain time.

11. RETURN+

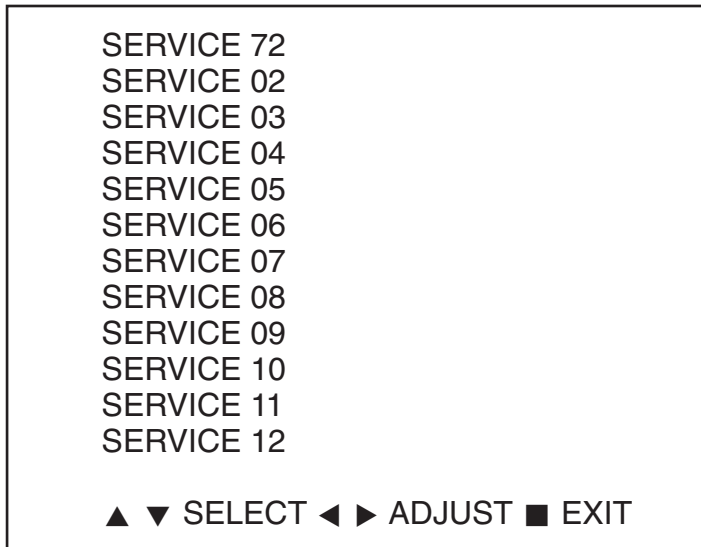
Use this button to return to the previous channel you were watching.

ALIGNMENT INSTRUCTION

1. SERVICE MODE ADJUSTMENTS

Follow the steps below whenever service adjustment is required.
See Table- A and Table- B to determine if service adjustments are required.

- 1) How to enter the service mode using the user remote control.
 - Turn the set on.
 - Direct the remote control to the reception window of TV.
 - Push buttons of remote control in sequence as follows.
1 → MUTE → DISPLAY → MUTE
 - Then, the screen will appear as follows.



- Using the channel up or channel down button, select the item you wish to adjust. (The color of selected item turns into the blue.)
 - Press the volume up or down button to enter in the service mode you wish to adjust.
- 2) How to memorize the adjusted values in the service mode.
 - Don't have to press any button the state which the screen is displaying each of service menus after all adjustments are completed each of all service menu.

Table-A : Adjust the values of service mode when a part is replaced.

PART REPLACED	ADJUSTMENT		NOTES
	NECESSARY	UNNECESSARY	
I701 (U-COM)		○	Data is stored in I702.
I702 (EEPROM)	○		Initial setting values are written from I701. ADJUSTING ITEMS S6 : Geometry adjustmrnt S8 : White balance S9 : Subbrightness
CRT	○		Adjust items related to picture tube only. (White Balance adjustment) CRT OPTION (Screen Option adjustment)

CM-405F EEPROM DATA

항목	NAME	LG - CBU 060419	LG - GRADIENTE 060426	항목	NAME	LG - CBU 060419	LG - GRADIENTE 060426																			
S1	HEAT RUN	ON -->OFF		S7-2	SOC	0	0																			
S2	SCREEN 전압 조정	650V (6AE:0A)	650V (6AE:0A)		PWLDAC	0	0																			
S5	AGC AUTO	Off	Off		CL	10	10																			
	AGC LEVEL	22	22		CLD	0	0																			
	IFOFF	37	37		GAM	0	0																			
	QSS	1	1		HCT	0	0																			
	BPB	1	1		ACL	0	0																			
	FMI	1	1		BPS	0	0																			
	AGN	0	0		CHSE	2	2																			
	BPBS	1	1		CBPS	1	1																			
	DSG	0	0		CB	0	0																			
Fine Tunning					S8	R-GAIN	32	32																		
S6	V.SLOPE	27	27	G-GAIN		32	32																			
	V.CENTER	40	40	B-GAIN		40	40																			
	V.SIZE	32	32	R-BIAS		32	32																			
	H.CENTER	38	38	G-BIAS		32	32																			
	H.SIZE	52	52	SRC R-BIAS		0	0																			
	V.LINEARITY	38	38	SRC G-BIAS		0	0																			
	S_CORRECTION	30	30	CVI R-BIAS		0	0																			
	H.PARALLEL	24	24	CVI G-BIAS	+8	+8																				
	H-BOW	36	36	S9	DP-Brightness	17	17																			
	PARABOLA	40	40		DP-Contrast	17	17																			
	EW TRAPEZ	30	30		DP-Color	4	4																			
	CORNER TOP	45	45		DP-Sharpness	17	17																			
	CORNER BOTTOM	45	45	S10	OPTION 1	1111 0101	1111 0101																			
	50Hz.HC	+8	+8		OPTION 2	0110 0011	0110 0011																			
	50Hz.HS	+1	+1		OPTION 3	0000 0011	0000 0011																			
	50Hz.VC	0	0	S12	FACTORY SET																					
	50Hz.VS	0	0																							
	HBL	1	1	<table border="1"> <thead> <tr> <th>항목</th> <th>NAME</th> <th>Address</th> <th>DATA</th> </tr> </thead> <tbody> <tr> <td rowspan="5">메모리</td> <td>SCREEN Bright</td> <td>6AE</td> <td>0A (hex)</td> </tr> <tr> <td>WARM_MIN</td> <td>6C7</td> <td>0C (hex)</td> </tr> <tr> <td>WARM_MAX</td> <td>6C8</td> <td>50 (hex)</td> </tr> <tr> <td>AGC_Start</td> <td>5F5~5F8</td> <td>19 (hex)</td> </tr> <tr> <td>AGC_Stop</td> <td>5F1~5F4</td> <td>1A (hex)</td> </tr> </tbody> </table>				항목	NAME	Address	DATA	메모리	SCREEN Bright	6AE	0A (hex)	WARM_MIN	6C7	0C (hex)	WARM_MAX	6C8	50 (hex)	AGC_Start	5F5~5F8	19 (hex)	AGC_Stop	5F1~5F4
항목	NAME	Address	DATA																							
메모리	SCREEN Bright	6AE	0A (hex)																							
	WARM_MIN	6C7	0C (hex)																							
	WARM_MAX	6C8	50 (hex)																							
	AGC_Start	5F5~5F8	19 (hex)																							
	AGC_Stop	5F1~5F4	1A (hex)																							
S7-1	WBF	0	0																							
	WBR	10	10																							
	CFCLF	1	1																							
	YD TV	4	4																							
	DTR	0	0																							
	BPYD	0	0																							
	TCI2X	0	0																							
	PF	3	0																							
	TFR	1	1																							
	NRR	0	0																							
	WS	3	0																							
	BLS	0	0																							
	DSK	0	0																							
	AAS	2	2																							
	BSD	0	0																							
	BKS	1	0																							
	DSA	0	0																							
	RPO	3	3																							
RPA	2	2																								
CFA0	0	0																								

ALIGNMENT INSTRUCTION

2. ASSEMBLY ADJUSTMENTS

1) SCREEN ADJUSTMENT (S2)

- Enter the service mode and select service adjustment S2.
- You can see the one horizontal line on the screen.
- Adjust the Screen Control Volume (located on FBT) so that the horizontal line onscreen may be disappeared.
- Press S2 button to exit in the screen adjustment mode.

2) FOCUS ADJUSTMENT

- Turn in a local station and adjust the Focus Control knob (located on FBT) for best picture details at high light condition.

3) AGC ADJUSTMENT

- Adjust the antenna signal level at 60 dBuV
- Tune a colour bar pattern.
- Find the "AGC" item in service mode.
(it's two way to entering the "AGC" item in service mode)
 - Enter the service mode and select service adjustment S5 and select AUTO-AGC.
 - Enter the service mode and select service adjustment S3.
- Wait until AGC level stabilise to the optimum value.

- Alternatively,
Enter the service mode and select service adjustment S5 and select AGC LEVEL.
Use "Vol Up/Dwn" keys to adjust manually to the desired Tuner Take Over Point.

4) GEOMETRIC ADJUSTMENTS (S6)

- Select service adjustment S6
- You can see the OSD as shown in below.

V.SLOPE	25	EW TRAPEZ	28
V.CENTER	38	CORNER TOP	43
V.SIZE	44	CORNER BOTTOM	38
H.CENTER	47	50Hz. HC	5
H.SIZE	51	50Hz.HS	1
V.LINEARITY	34	50Hz.VC	0
S_CORRECT	30	50Hz.VS	0
H.PARALLEL	31	HBL	1
H.BOW	32	WBF	0
PARABOLA	36	WBR	10

▲ ▼ SELECT ◀ ▶ ADJUST ■ EXIT

4-2) Vertical Position Adjustment.

- Select V.SLOPE item, adjust V.SLOPE data value till the horizontal line in the centre of the video signal is just at the position where the blanking starts.
- Select V.CENTER item, adjust V.CENTER data value to center the raster properly on the screen.

4-3) Vertical Size Adjustment

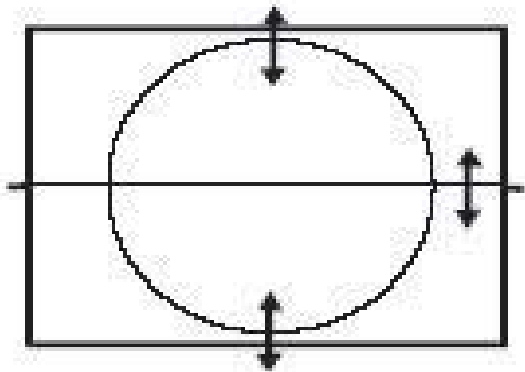
- Select V.SIZE item, adjust V.SIZE data value to proper vertical size as follows.

4-4) Horizontal Position Adjustment

- Select H.CENTER item, adjust H.CENTER data value to obtain proper horizontal centering of the internal cross pattern at the left and right of the screen.

4-5) Horizontal Size adjustment

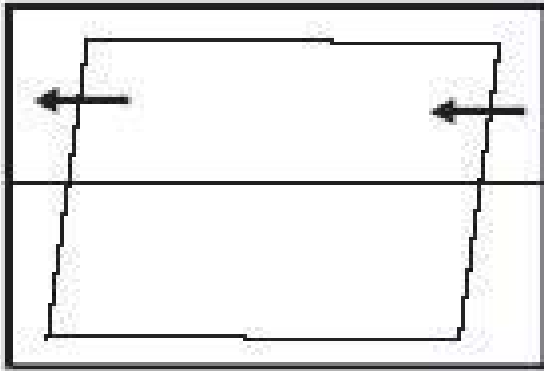
- Select H.SIZE item, adjust H.SIZE value to proper horizontal size.



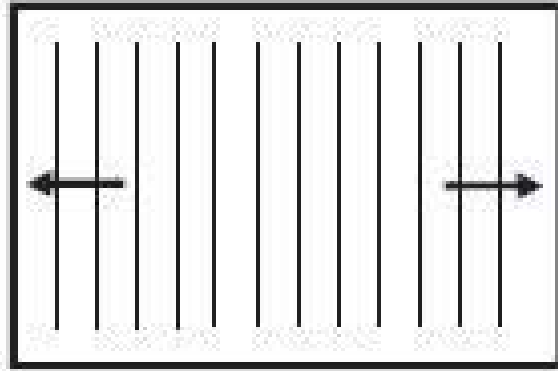
ALIGNMENT INSTRUCTION

4-4). EAST / WEST Adjustment

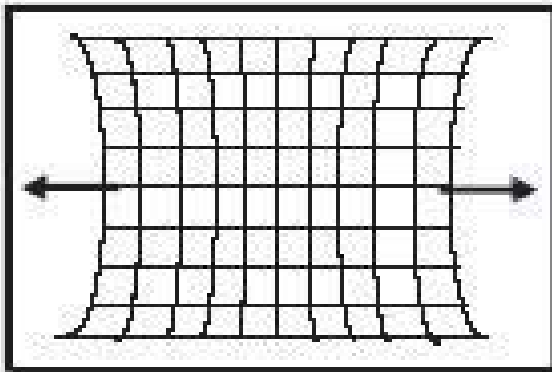
- Adjust the H.PARALLEL, H.SIZE, H-BOW, PARABOLA, EW TRAPEZ, CORNER TOP, CORNER BOTTOM to compensate for geometrical distortion.



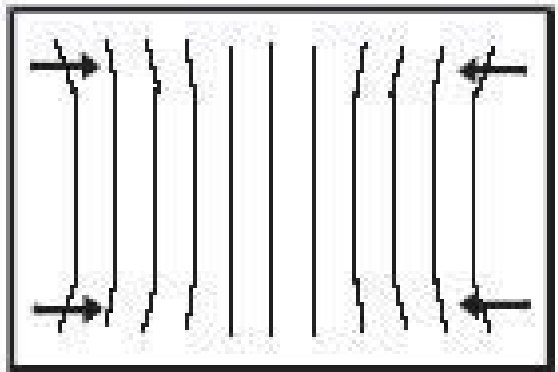
H.PARALLEL



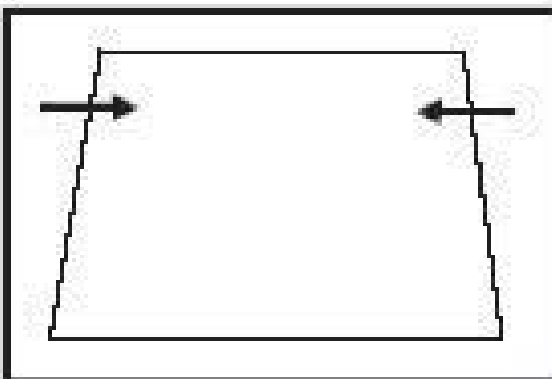
H.SIZE



PARABOLA



CORNER TOP, CORNER BOTTOM



EW TRAPEZ

5) WHITE BALANCE ADJUSTMENT(S8)

- Receive a good local channel.
- Enter the service mode and select service adjustment S8.
- You can see the OSD as shown in below.

R-GAIN	32	SRC R-BIAS	0
G-GAIN	32	SRC G-BIAS	0
B-GAIN	40	CVI R-BIAS	0
R-BIAS	32	CVI G-BIAS	+8
G-BIAS	32		

▲▼ SELECT ◀▶ ADJUST ■ EXIT

- Using volume up or volume down, adjust service adjustment data of R-GAIN/G-GAIN/B-GAIN and R-BIAS/G-BIAS until a good gray scale with normal whites is obtained.

6) DIGITAL PRESET(D.P) ADJUSTMENTS(S9)

SUBBRIGHTNESS ADJUSTMENT

- Receive a good local channel.
- Enter the service mode and select service adjustment S9.
- You can see the OSD as shown in below.

DP-Brightness:	17
DP-Contrast	17
DP-Color	4
DP-Sharpnes:	17

▲▼ SELECT ◀▶ ADJUST ■ EXIT

- Select DP-Brightness item, adjust DP-Brightness data value to obtain normal brightness level.

DP-Contrast

- Fixed value = 10

DP-Color

- Fixed value = 5

DP-Sharpness

- Fixed value = 17

7) FACTORY OUTGOING MODE (S12 : FACT)

- If you select the S12, then the set becomes factory outgoing status.
- You can see the OSD "SHIPPING OFF"

IC DESCRIPTION

1. UOC III SERIES

1-1. UOC III BLOCK DIAGRAM

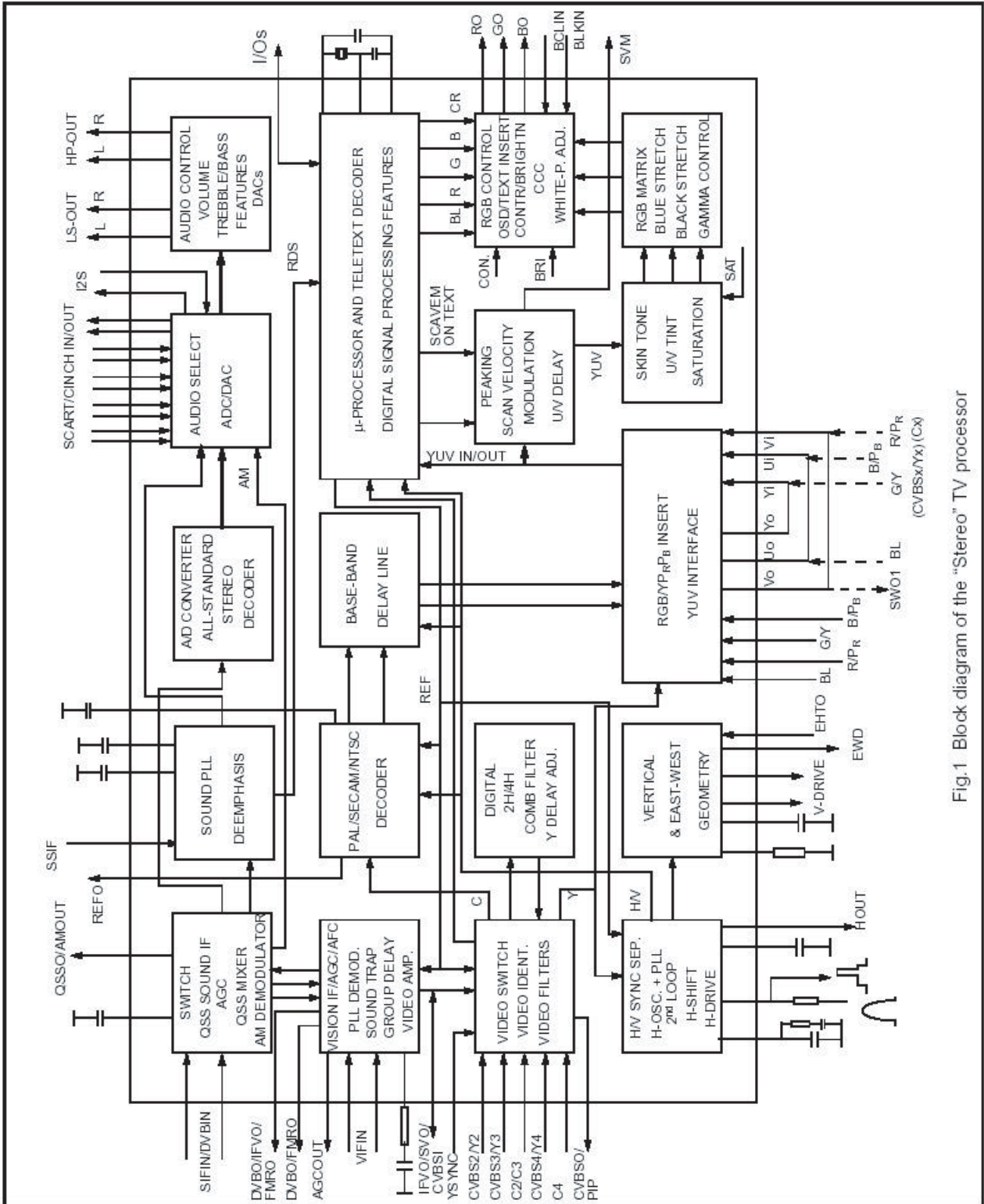
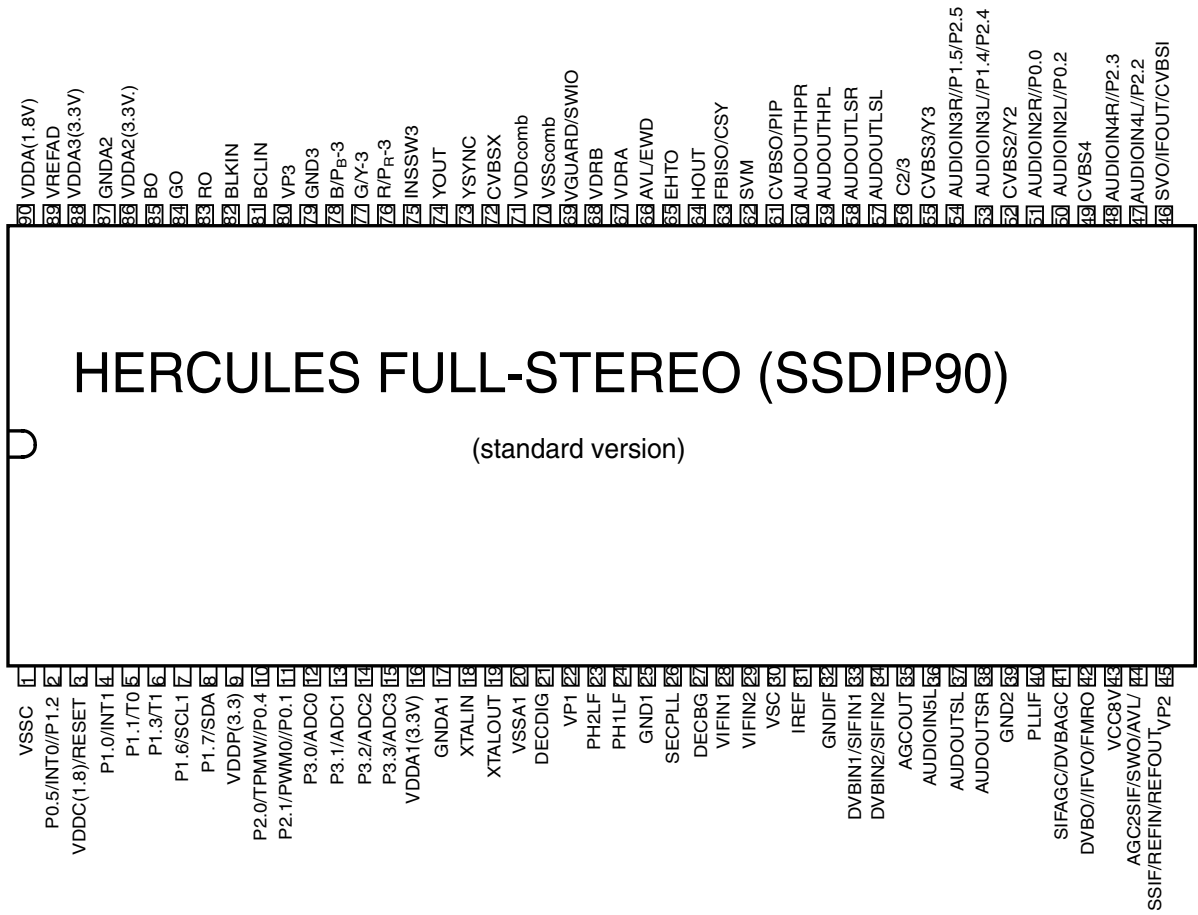


Fig.1 Block diagram of the "Stereo" TV processor



HERCULES FULL-STEREO (SSDIP90)

(standard version)

IC DESCRIPTION

SYMBOL	STANDARD VERSION	DESCRIPTION
	MONO+AV STEREO SSDIP90 FULL-STEREO/	
VSSP2	1	ground
VSSC4	1	ground
VDDC4	3	digital supply to SDACs (1.8V)
VDDA3(3.3V)	16	supply (3.3 V)
VREF_POS_LSL	16	positive reference voltage SDAC (3.3 V)
VREF_NEG_LSL+HPL	17	negative reference voltage SDAC (0 V)
VREF_POS_LSR+HPR	16	positive reference voltage SDAC (3.3 V)
VREF_NEG_HPL+HPR	17	negative reference voltage SDAC (0 V)
VREF_POS_HPR	16	positive reference voltage SDAC (3.3 V)
XTALIN	18	crystal oscillator input
XTALOUT	19	crystal oscillator output
VSSA1	20	ground
VGUARD/SWIO	69	V-guard input / I/O switch (e.g. 4 mA current sinking capability for direct drive of LEDs)
DECDIG	21	decoupling digital supply
VP1	22	1 st supply voltage TV-processor (+5 V)
PH2LF	23	phase-2 I _{ter}
PH1LF	24	phase-1 I _{ter}
GND1	25	ground 1 for TV-processor
SECPLL	26	SECAM PLL decoupling
DECBG	27	bandgap decoupling
EWD/AVL ⁽¹⁾	66	East-West drive output or AVL capacitor
VDRB	68	vertical drive B output
VDRA	67	vertical drive A output
VIFIN1	28	IF input 1

SYMBOL	STANDARD VERSION	DESCRIPTION
	MONO+AV STEREO SSDIP90 FULL-STEREO/	
VIFIN2	29	IF input 2
VSC	30	vertical sawtooth capacitor
IREF	31	reference current input
GNDIF	32	ground connection for IF amplifier
SIFIN1/DVBIN1 ⁽²⁾	33	SIF input 1 / DVB input 1
SIFIN2/DVBIN2 ⁽²⁾	34	SIF input 2 / DVB input 2
AGCOUT	35	tuner AGC output
EHTO	65	EHT/overvoltage protection input
AVL/SWO/SSIF/ REFO/REFIN ⁽²⁾	44	Automatic Volume Levelling / switch output / sound IF input / subcarrier reference output / external reference signal input for I signal mixer for DVB operation
AUDIOIN5	-	audio 5 input
AUDIOIN5L	36/-	audio-5 input (left signal)
AUDIOIN5R	-	audio-5 input (right signal)
AUDOUTSL	37	audio output for SCART/CINCH (left signal)
AUDOUTSR	38	audio output for SCART/CINCH (right signal)
DECSDEM	-/72	decoupling sound demodulator
QSSO/AMOUT/AUDEEM ⁽²⁾	-/36	QSS intercarrier output / AM output / deemphasis (front-end audio out)
GND2	39	ground 2 for TV processor
PLLIF	40	IF-PLL loop filter
SIFAGC/DVBAGC ⁽²⁾	41	AGC sound IF / internal-external AGC for DVB applications
DVBO/IFVO/FMRO ⁽²⁾	42	Digital Video Broadcast output / IF video output / FM radio output
DVBO/FMRO ⁽²⁾	-	Digital Video Broadcast output / FM radio output
VCC8V	43	8 Volt supply for audio switches

IC DESCRIPTION

SYMBOL	STANDARD VERSION	DESCRIPTION
	MONO+AV STEREO SDDIP90 FULL-STEREO/	
AGC2SIF	44/-	AGC capacitor second sound IF
VP2	45	2 nd supply voltage TV processor (+5 V)
IFVO/SVO/CVBSI ⁽²⁾	46	IF video output / selected CVBS output / CVBS input
AUDIOIN4	-	audio 4 input
AUDIOIN4L	47	audio-4 input (left signal)
AUDIOIN4R	48	audio-4 input (right signal)
CVBS4/Y4	49	CVBS4/Y4 input
C4	-	chroma-4 input
AUDIOIN2	-	audio 2 input
AUDIOIN2L	50	audio 2 input (left signal)
AUDIOIN2R	51	audio 2 input (right signal)
CVBS2/Y2	52	CVBS2/Y2 input
AUDIOIN3		audio 3 input
AUDIOIN3L	53	audio 3 input (left signal)
AUDIOIN3R	54	audio 3 input (right signal)
CVBS3/Y3	55	CVBS3/Y3 input
C2/C3	56	chroma-2/3 input
AUDOUTLSL	57	audio output for audio power amplifier (left signal)
AUDOUTLSR	58	audio output for audio power amplifier (right signal)
AUDOUT/AMOUT/FMOUT	-	audio output / AM output / FM output, volume controlled
AUDOUTHPL	59	audio output for headphone channel (left signal)
AUDOUTHPR	60	audio output for headphone channel (right signal)
CVBSO/PIP	61	CVBS / PIP output

SYMBOL	STANDARD VERSION	DESCRIPTION
	MONO+AV/STEREO SSD/PP90 FULL-STEREO/	
SVM	62	scan velocity modulation output
FBISO/CSY	63	Y-back input/sandcastle output or composite H/V timing output
HOUT	64	horizontal output
VSScomb	70	ground connection for comb filter
VDDcomb	71	supply voltage for comb filter (5 V)
VIN (R/P _R IN2/C _X)	-	V-input for YUV interface (2 nd R input / P _R input or C _X input)
UIN (B/P _B IN2)	-	U-input for YUV interface (2 nd B input / P _B input)
YIN (G/YIN2/CVBS-Y _X)	72/-	Y-input for YUV interface (2 nd G input / Y input or CVBS/Y _X input)
YSYNC	73	Y-input for sync separator
YOUT	74	Y-output (for YUV interface)
UOUT (INSSW2)	-	U-output for YUV interface (2 nd RGB / YP _B P _R insertion input)
VOUT (SWO1)	-	V-output for YUV interface (general purpose switch output)
INSSW3	75	3 rd RGB / YP _B P _R insertion input
R/P _R IN3	76	3 rd R input / P _R input
G/YIN3	77	3 rd G input / Y input
B/P _B IN3	78	3 rd B input / P _B input
GND3	79	ground 3 for TV-processor
VP3	80	3 rd supply for TV processor
BCLIN	81	beam current limiter input
BLKIN	82	black current input
RO	83	Red output
GO	84	Green output
BO	85	Blue output

IC DESCRIPTION

SYMBOL	STANDARD VERSION	DESCRIPTION
	MONO+AV STEREO SSDIP90 FULL-STEREO/	
VDDA1	86	analog supply for TCG mController and digital supply for TV-processor (+3.3 V)
VREFAD_NEG	87	negative reference voltage (0 V)
VREFAD_POS	88	positive reference voltage (3.3 V)
VREFAD	89	reference voltage for audio ADCs (3.3/2 V)
GNDA	87	ground
VDDA(1.8V)	90	analogue supply for audio ADCs (1.8 V)
VDDA2(3.3)	88	supply voltage SDAC (3.3 V)
VSSadc	1	ground for on-chip temperature sensor
VDDadc(1.8)	90	supply voltage video ADC
INT0/P0.5	2	external interrupt 0 or port 0.5 (4 mA current sinking capability for direct drive of LEDs)
P1.0/INT1	4	port 1.0 or external interrupt 1
P1.1/T0	5	port 1.1 or Counter/Timer 0 input
VDDC2	3	digital supply to core (1.8 V)
VSSC2	1	ground
P0.4/I2SWS	-	port 0.4 or I ² S word select
P0.4	-	port 0.4
P0.3/I2SCLK	-	port 0.3 or I ² S clock
P0.3	-	port 0.3
P0.2/I2SDO2	50	port 0.2 or I ² S digital output 2
P0.2	-	port 0.2
P0.1/I2SDO1	-	port 0.1 or I ² S digital output 1
P0.1	-	port 0.1
P0.0/I2SDI1/O	51	port 0.0 or I ² S digital input 1 or I ² S digital output
P0.0	-	port 0.0
P1.3/T1	6	port 1.3 or Counter/Timer 1 input

SYMBOL	STANDARD VERSION	DESCRIPTION
	MONO+AV STEREO SSDIP90 FULL-STEREO/	
P1.6/SCL	7	port 1.6 or I ² C-bus clock line
P1.7/SDA	8	port 1.7 or I ² C-bus data line
VDDP(3.3V)	9	supply to periphery and on-chip voltage regulator (3.3 V)
P2.0/TPWM	10	port 2.0 or Tuning PWM output
P2.1/PWM0	11	port 2.1 or PWM0 output
P2.2/PWM1	47	port 2.2 or PWM1 output
P2.3/PWM2	48	port 2.3 or PWM2 output
P3.0/ADC0	12	port 3.0 or ADC0 input
P3.1/ADC1	13	port 3.1 or ADC1 input
VDDC1	3	digital supply to core (+1.8 V)
DECV1V8	3	decoupling 1.8 V supply
P3.2/ADC2	14	port 3.2 or ADC2 input
P3.3/ADC3	15	port 3.3 or ADC3 input
VSSC/P	1	digital ground for m-Controller core and periphery
P2.4/PWM3	53	port 2.4 or PWM3 output
P2.5/PWM4	54	port 2.5 or PWM4 output
VDDC3	3	digital supply to core (1.8V)
VSSC3	1	ground
P1.2/INT2	2	port 1.2 or external interrupt 2
P1.4/RX	53	port 1.4 or UART bus
P1.5/TX	54	port 1.5 or UART bus

IC DESCRIPTION

2. TDA8358J VERTICAL AMPLIFIER

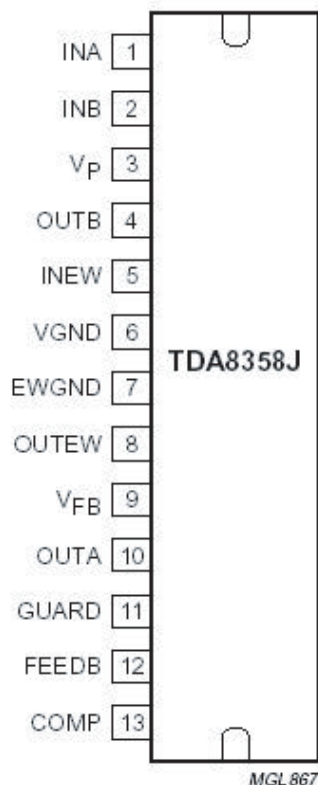
The TDA8358J are power circuit for use in 90° and 110° colour deflection systems for field frequencies of 25 to 200Hz field frequencies, and for 4:3 and 16/9 picture tubes. The IC contains a vertical deflection output circuit, operating as a high efficiency class G system. The full bridge output circuit allows DC coupling of the deflection coil in combination with single positive supply voltages.

The east-west output stage is able to supply the sink current for a diode modulator circuit.

The IC is constructed in a Low Voltage DMOS(LVDMOS) process that combines bipolar, CMOS and DMOS devices. DMOS transistors are used in the output stage because of the absence of second breakdown.

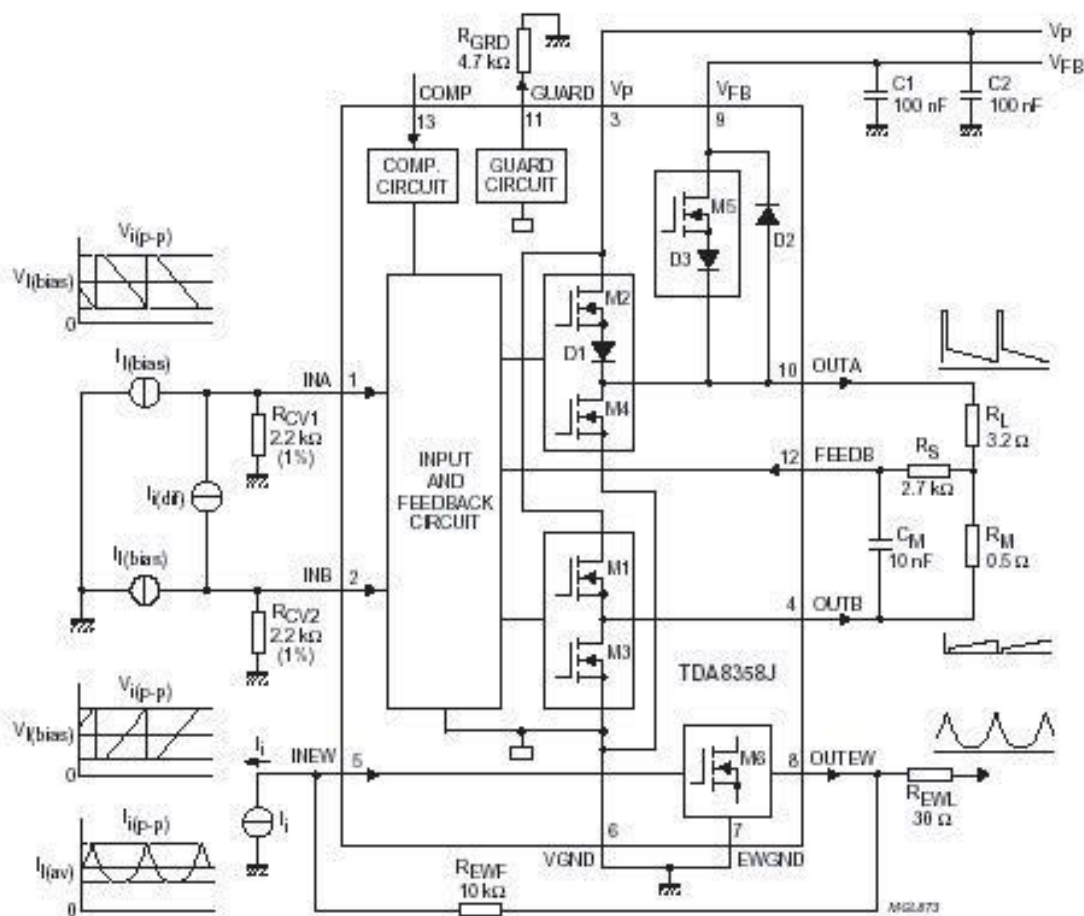
Features :

- Few external components
- Highly efficient fully DC-coupled vertical bridge output circuit
- Vertical flyback switch with short rise and fal times
- Built-in guard circuit
- Thermal protection circuit
- Improved EMC performance due to differential inputs
- East-west output stage



Pinning

Pin	Symbol	Description
1	INA	Positive vertical input
2	INB	Negative vertical input
3	V _P	Supply voltage
4	OUTB	Vertical output voltage B
5	INEW	East-west input voltage
6	VGND	Vertical ground
7	EWGND	East-west ground
8	OUTEW	East-west output voltage
9	V _{FB}	Flyback supply voltage
10	OUTA	Vertical output voltage A
11	GUARD	Guard output voltage
12	FEEDB	Input measuring resistor
13	COMP	Input compensation current



Block diagram TDA8358J

IC DESCRIPTION

3. TDA6107AJF

The TDA6107AJF includes three video output amplifiers and is intended to drive the three cathodes of a colour CRT directly. The device is contained in a plastic DIL-bent-SIL 9-pin medium power(DBS9MPF) package, and uses high-voltage DMOS technology.

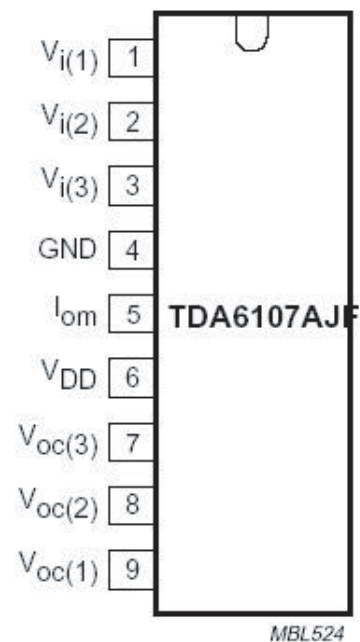
To obtain maximum performance, the amplifier should be used with black-current control.

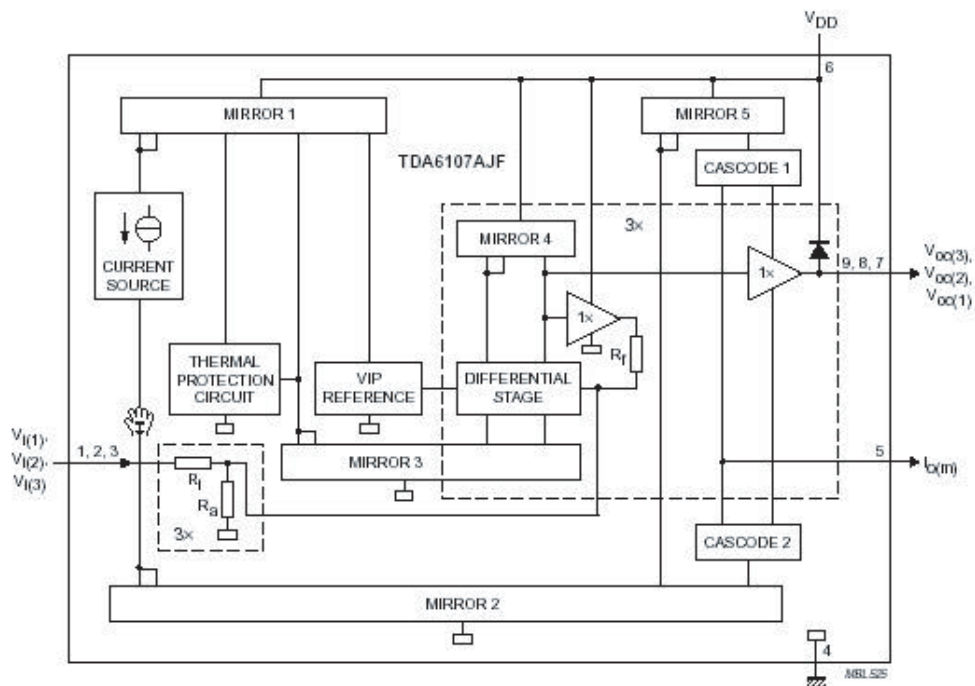
Features

- Typical bandwidth of 5.5 MHz for an output signal of 60 Vpp
- High slew rate of 900V/μs
- No external components required
- Very simple application
- Single supply voltage of 200V
- Internal reference voltage of 2.5 V
- Fixed gain of 81.
- Black-current stabilisation (BCS) circuit with voltage window from 1.8 to 6 V and current window from 100μA to -10mA
- Thermal protection
- Internal protection against positive flashover discharges appearing on the CRT

Pin description

Pin	Symbol	Description
1	$V_{i(1)}$	inverting input 1
2	$V_{i(2)}$	inverting input 2
3	$V_{i(3)}$	inverting input 3
4	GND	ground (fin)
5	I_{om}	black current measurement output
6	V_{DD}	supply voltage
7	$V_{OC(3)}$	cathode output 3
8	$V_{OC(2)}$	cathode output 2
9	$V_{OC(1)}$	cathode output 1





Block diagram TDA6107AJF

4. 24WC16 - 16 KB EEPROM

Features :

- 16 Kbit serial I2C bus EEPROM
- 400KHz I2C Bus Compatible
- supply voltage : 1.8 V to 6.0 V
- Low Power CMOS Technology
- 1 Million Erase/Write cycles (minimum)
- 100 year data retention (minimum)

Pin description

Pin No.	Name	Description
1, 2, 3	A0, A1, A2	Device address – not used
5	SDA	Serial Data/Address Input/Output
6	SCL	Serial clock
7	WP	Write control
8	Vcc	Supply voltage
4	Vss	Ground

The memory device is compatible with the I2C memory standard. This is a two wire serial interface that uses a bi-directional data bus and serial clock. The memory carries a built-in 4-bit unique device type identifier code (1010) in accordance with the I2C bus definition.

Serial Clock (SCL)

The SCL input is used to strobe all data in and out of the memory.

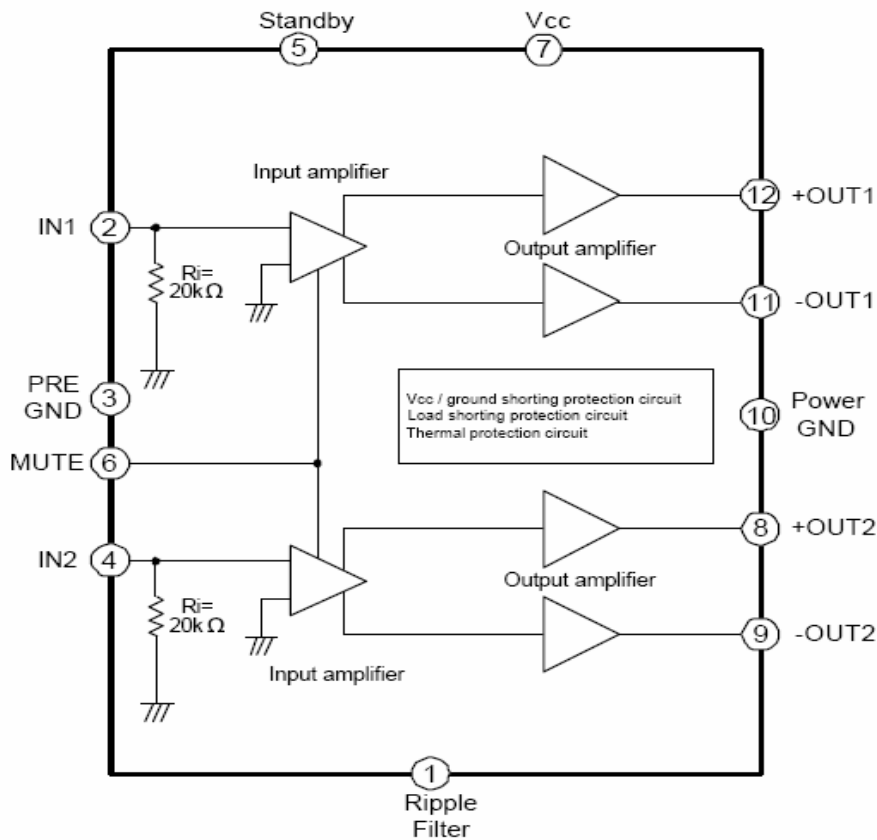
Serial Data (SDA)

The SDA pin is bi-directional, and is used to transfer data in or out of the memory.

5. LA42072N-E AUDIO AMPLIFIER

LA42000 series is power IC which made Pin compatible possible a ltogether in 5 to 15W. They consist of four kinds of power ICs. (mono, stereo, mono with volume function , stereo with volume function.) They realized PCB layout communalization of an audio power block of TV.

Block Diagram



Operating Characteristics at $T_a = 25^\circ\text{C}$, $V_{CC} = 12\text{V}$, $R_L = 8\ \Omega$, $f = 1\text{kHz}$, $Z_r, R_g = 600\ \Omega$

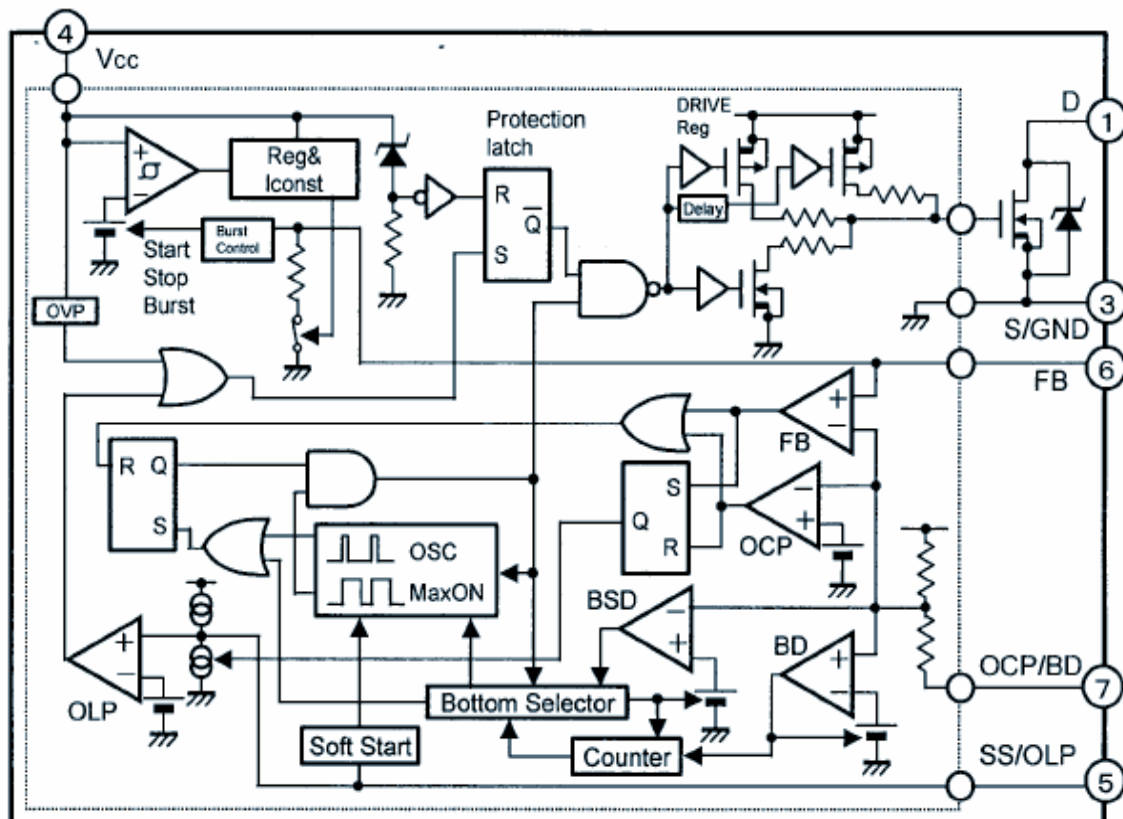
Parameter	Symbol	Conditions	Ratings			Unit
			min	typ	max	
Quiescent current	I_{CCO}	$R_g=0$	40	70	150	mA
Output power	P_o	THD=10%	6	7	-	W
Total harmonic distortion	THD	$P_o=1\text{W}$	-	0.06	0.2	%
Voltage gain	VG	$V_o=0\text{dBm}$	33	35	37	dB
Output noise voltage	V_{NO}	$R_g=0, \text{BPF}=20\text{Hz to } 20\text{kHz}$	-	0.1	0.3	mVrms
Ripple rejection	SVRR	$R_g=0, f_r=100\text{Hz}, V_{CCR}=0\text{dBm}$	50	60	-	dB
Channel separation	Sep.	$R_g=10\text{k}\ \Omega, V_o=0\text{dBm}$	50	60	-	dB
Muting attenuation	A_{TT}	$V_o=1\text{Vrms}, \text{BPF}=20\text{Hz to } 20\text{kH}$	80	90	-	dB
Muting control voltage (The Pin 6 voltage)	V_{MUTE-H}	Muting on	1.7	-	3.0	V
	V_{MUTE-L}	Muting off	0	-	0.5	V
Standby control voltage (The Pin 5 voltage)	V_{STB-H}	Amplifier on	2.5	-	20	V
	V_{STB-L}	Amplifier off	0	-	0.5	V
Input resistance	R_i		21	30	39	$\text{k}\ \Omega$

6. STR-W6756

FUNCTIONS OF EACH TERMINAL

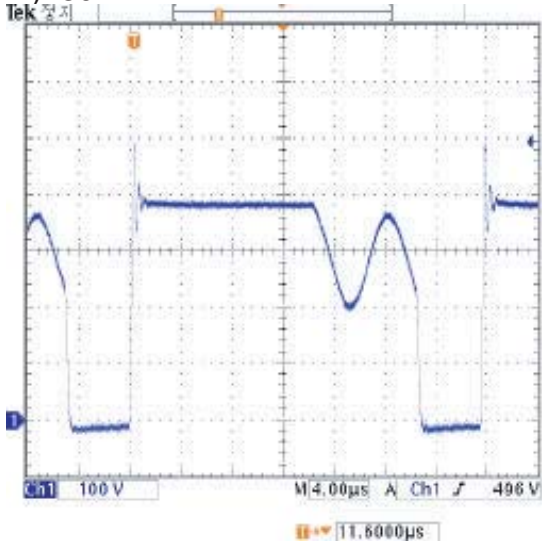
TERMINAL No.	SYMBOLS	DESCRIPTIONS	FUNCTIONS
1	D	DRAIN TERMINAL	MOSFET DRAIN
3	S/GND	SOURCE/GND	MOSFET SOURCE / GND
4	Vcc	SET UP TERMINAL	INPUT OF POWER SUPPLY FOR CONTROL CIRCUIT
5	SS/OLP	DELAY AT OVERLOAD / SOFT START SET UP TERMINAL	OVERLOAD PROTECTION AND SOFT START OPERATION TIME SET UP
6	FB	FEEDBACK TERMINAL	CONSTANT VOLTAGE CONTROL SIGNAL INPUT, BURST (INTERMITTENT) MODE OSCILLATION
7	OCP/BD	OVERCURRENT PROTECTION INPUT / BOTTOM DETECTION TERMINAL	OVERCURRENT DETECTION SIGNAL INPUT / BOTTOM DETECTION SIGNAL INPUT

BLOCK DIAGRAM

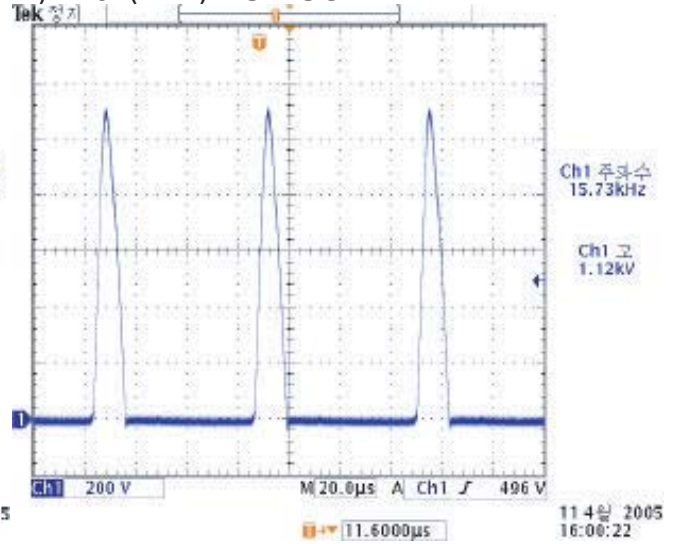


WAVEFORMS

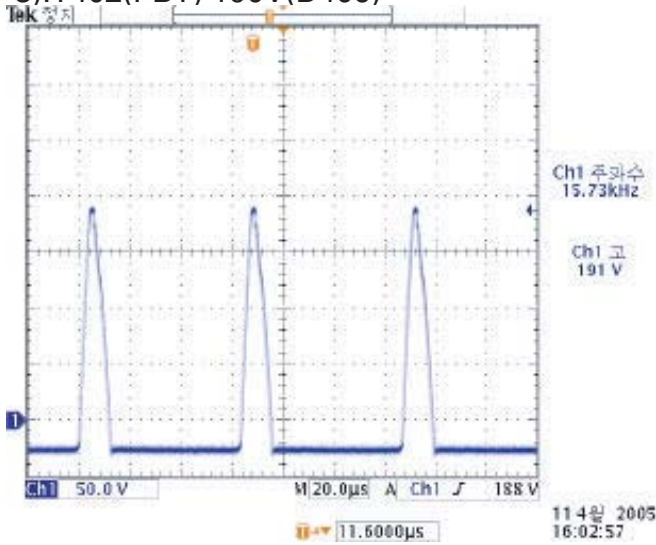
1).I801 PIN1



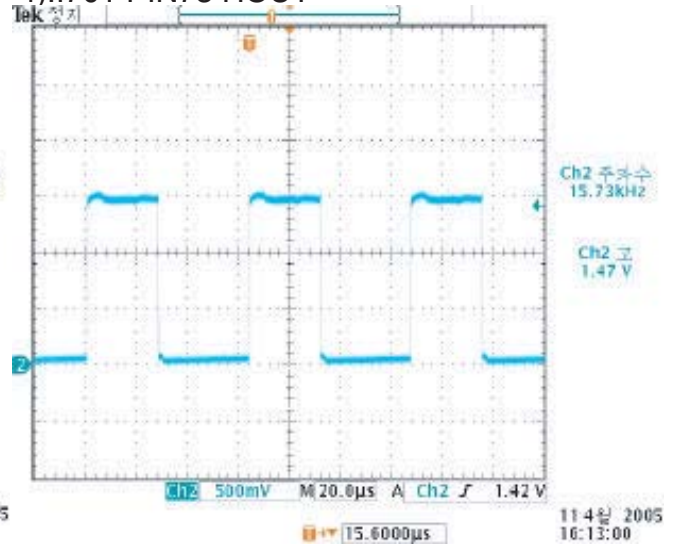
2).T402(FBT) HOR.OUT



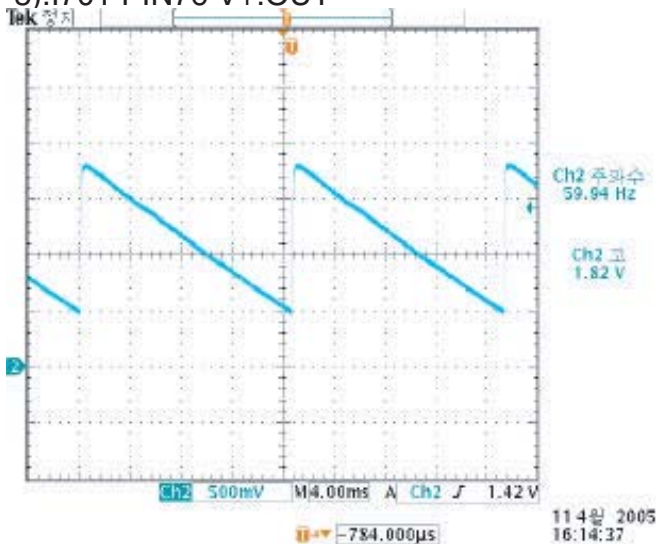
3).T402(FBT) 190V(D406)



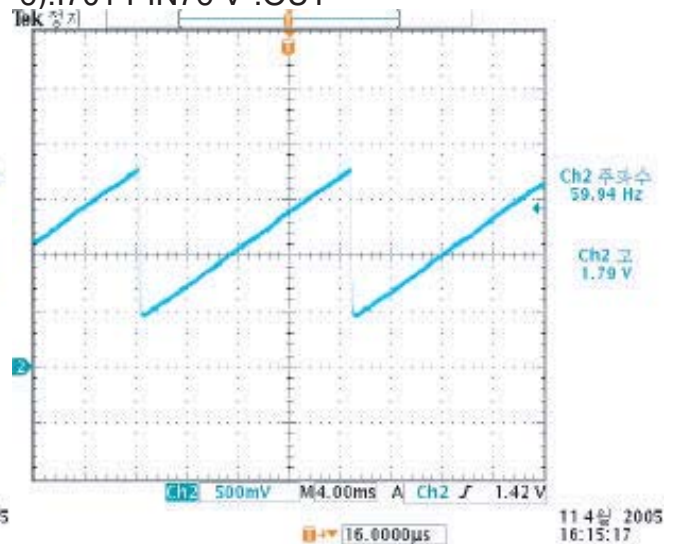
4).I701 PIN73 HOUT



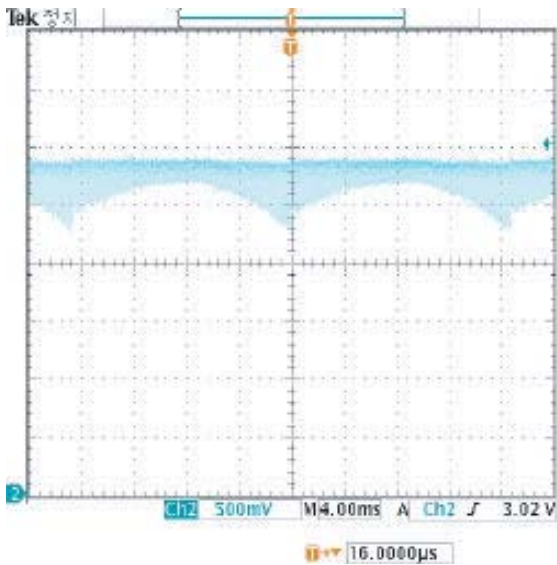
5).I701 PIN76 V+.OUT



6).I701 PIN76 V-.OUT

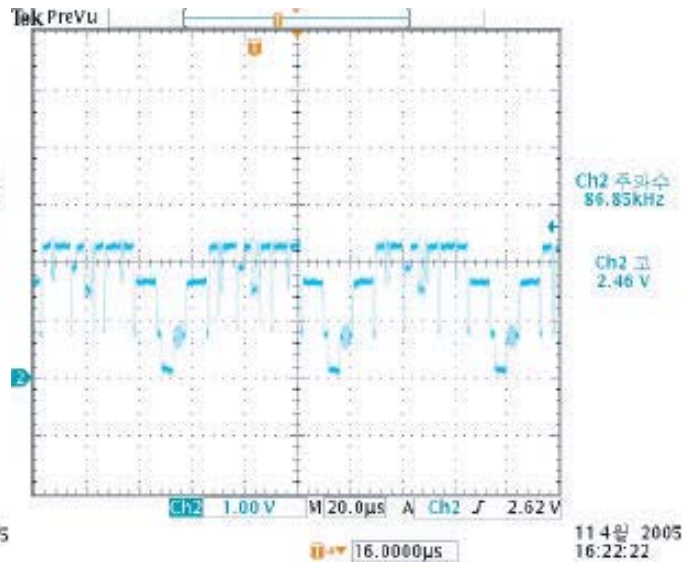


7).I701 PIN75 EW OUT



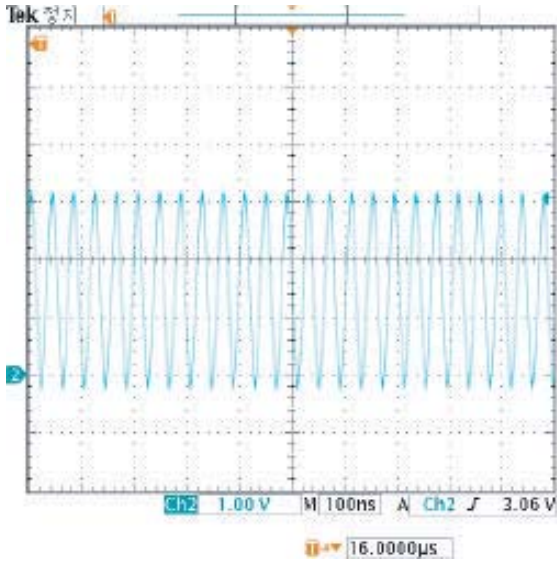
11 4월 2005 16:17:15

8).I701 PIN46 MONITOR OUT



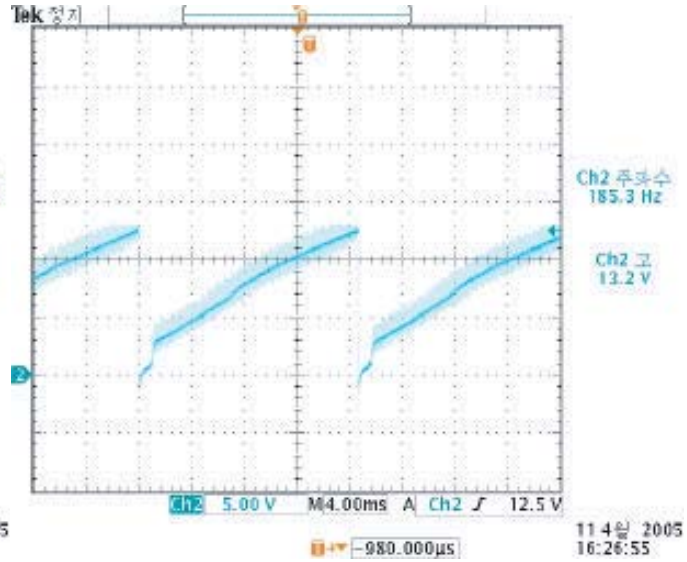
11 4월 2005 16:22:22

9).I701 (X-TAL)



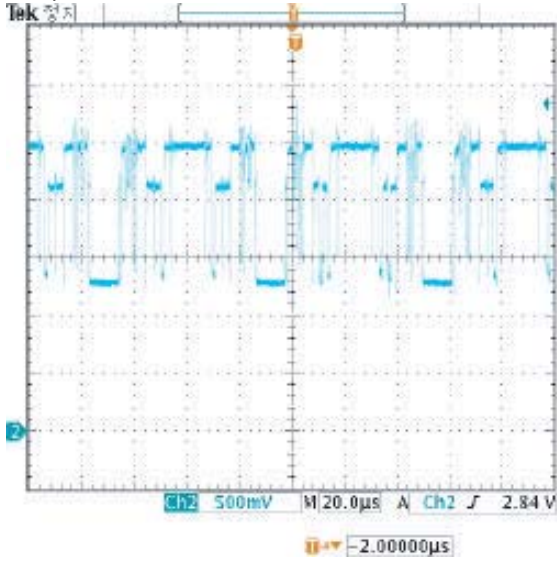
11 4월 2005 16:23:57

10).I301 PIN4 V.OUT



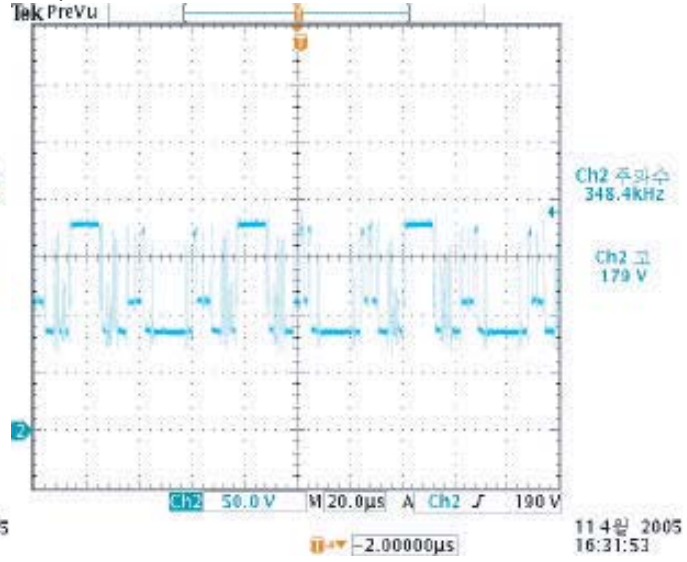
11 4월 2005 16:26:55

11).I901 PIN R.IN



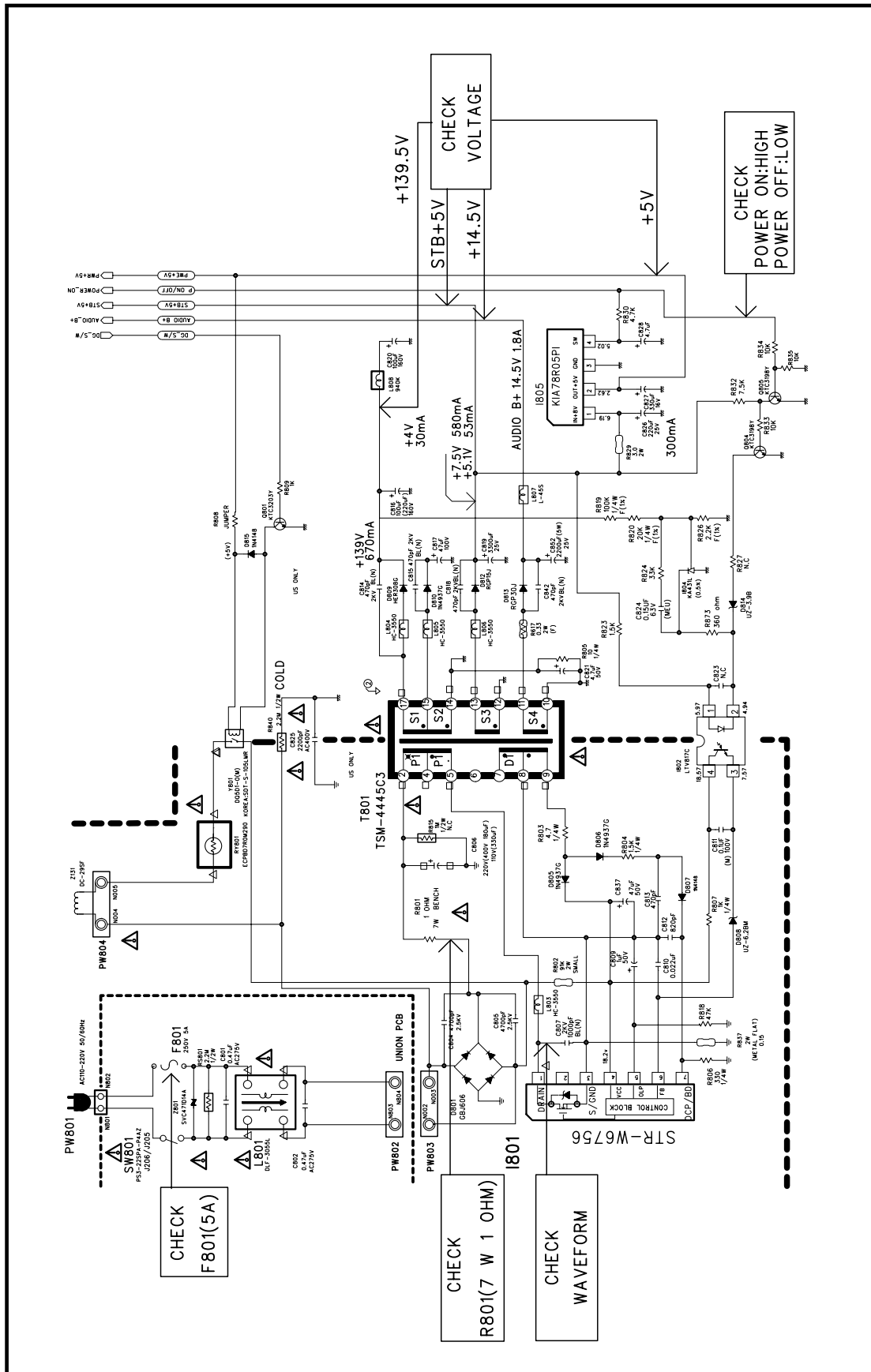
11 4월 2005 16:33:19

12).I901 PIN R.OUT



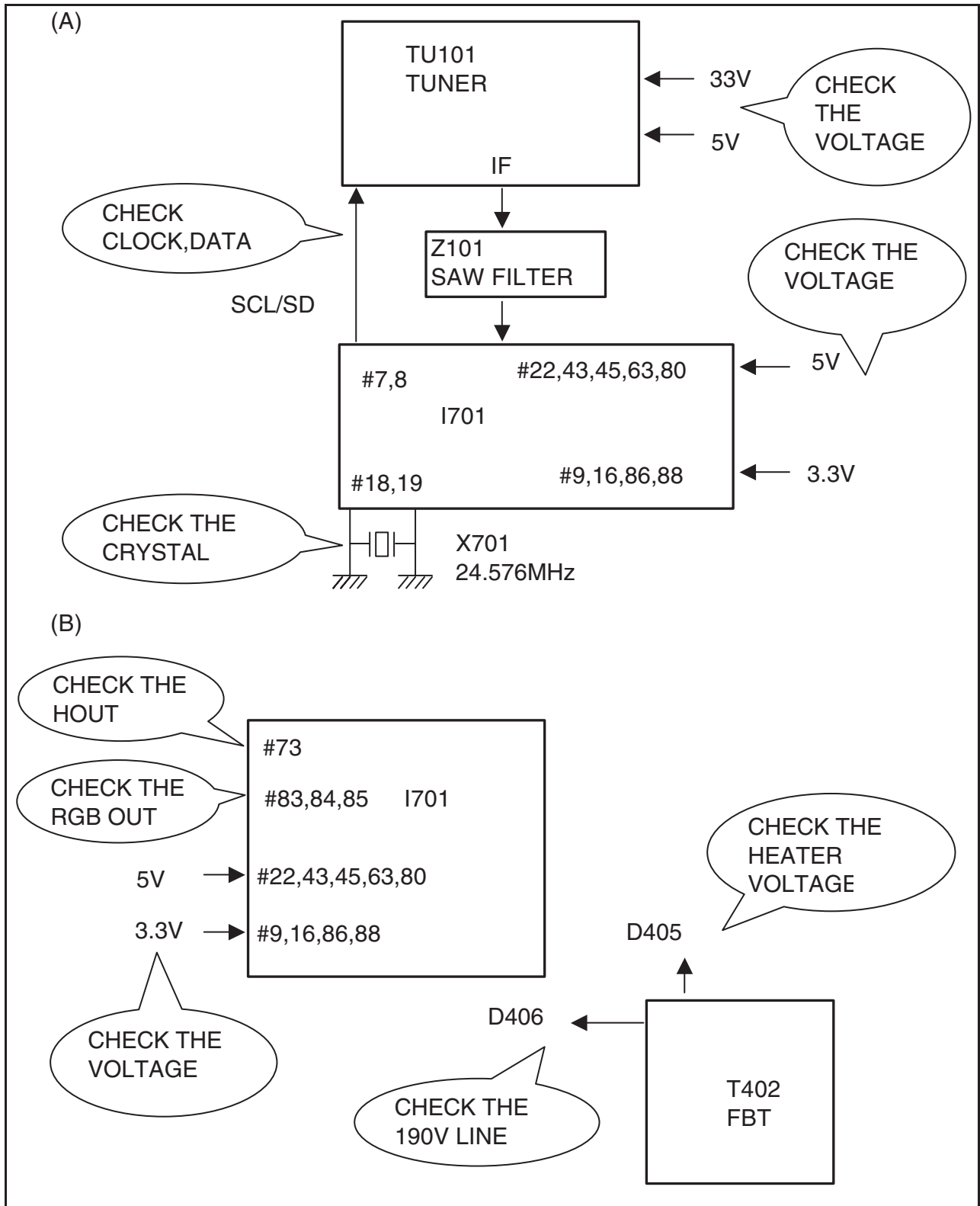
11 4월 2005 16:31:53

1. NO POWER



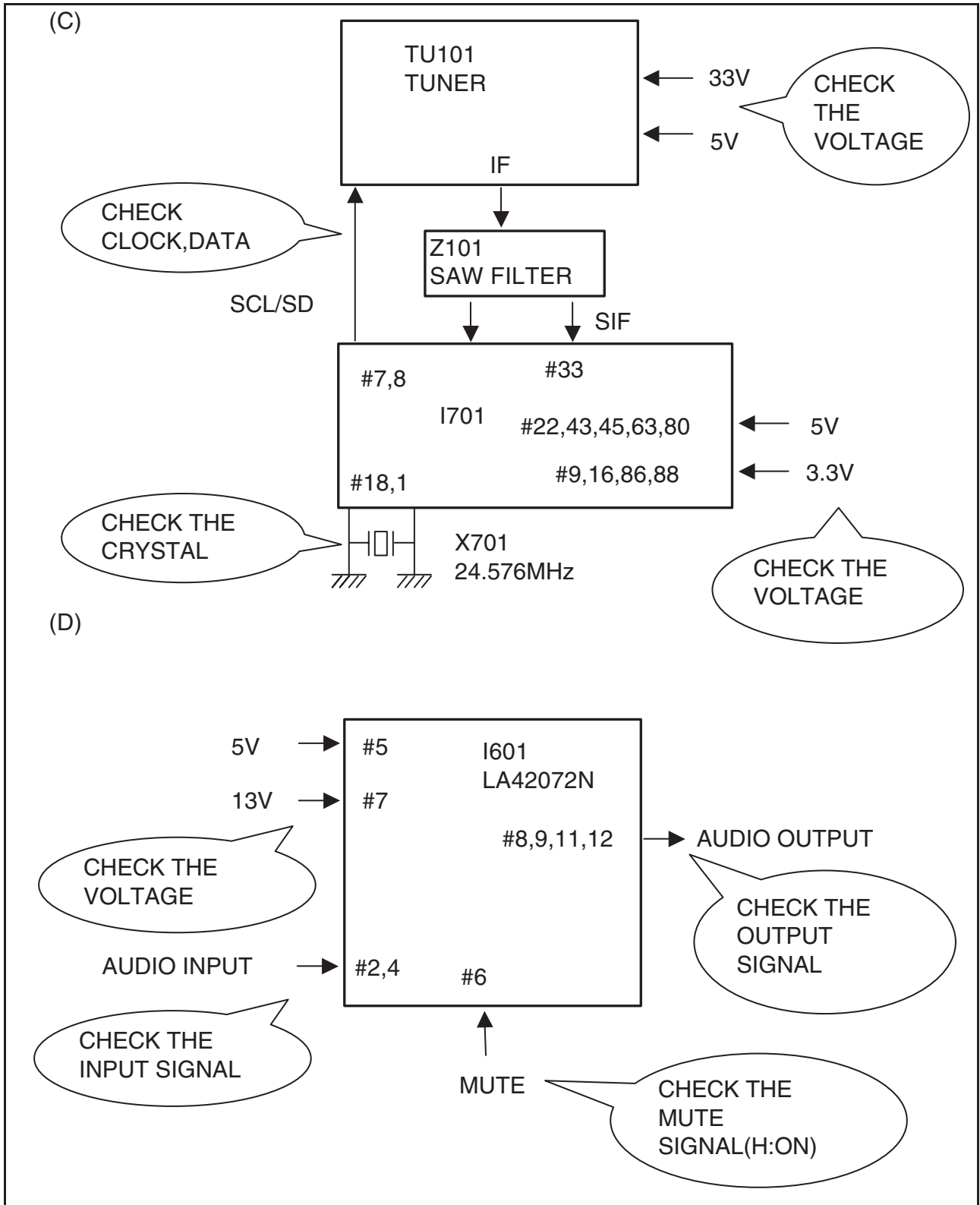
2. NO PICTURE

Check The Waveform of TU101 IF PIN	NG : Go To The Figure (A)
	OK : Go To The Figure (B)



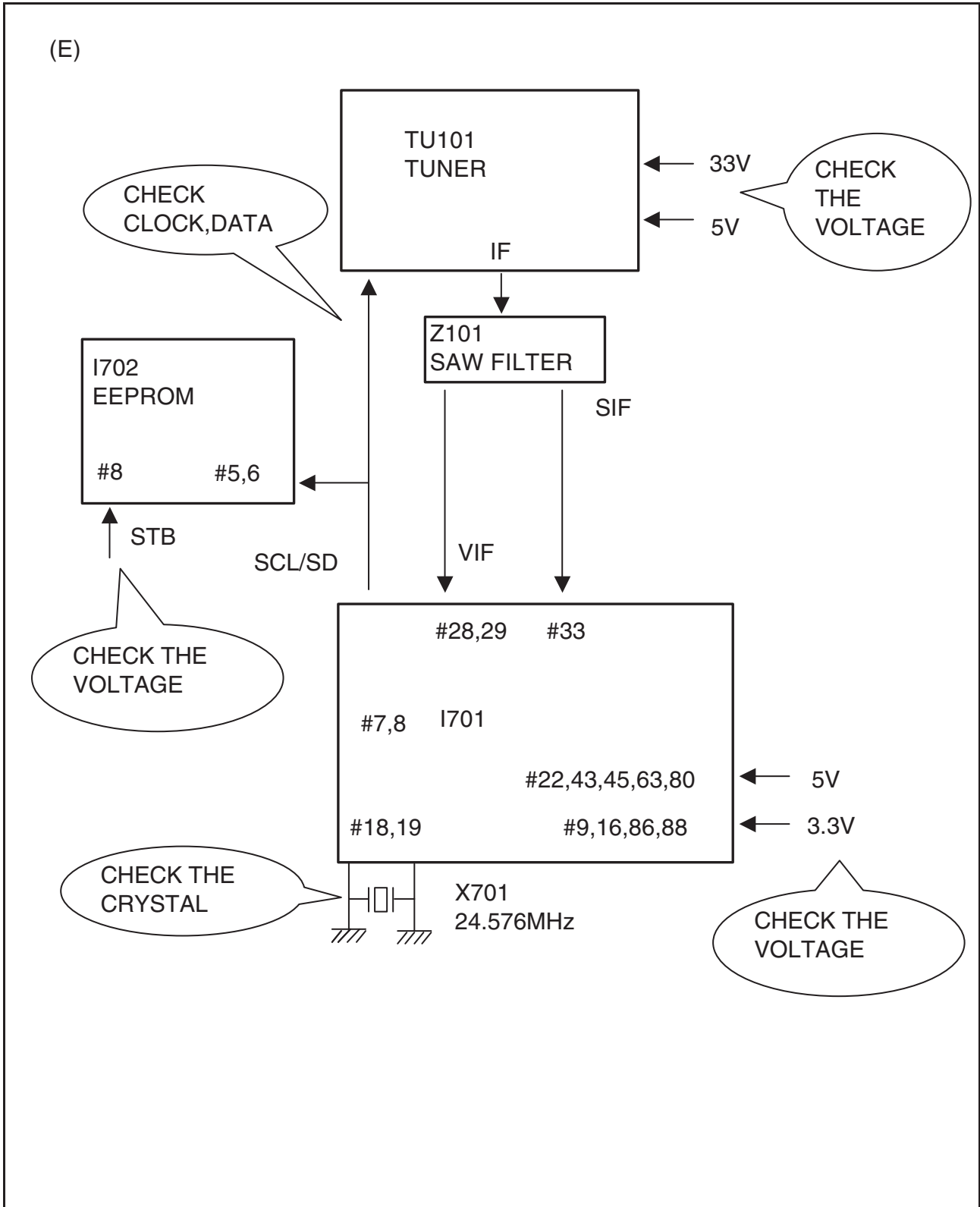
3. NO SOUND

Check The Output Signal of I701 #57,58	NG : Go To The Figure (C)
	OK : Go To The Figure (D)

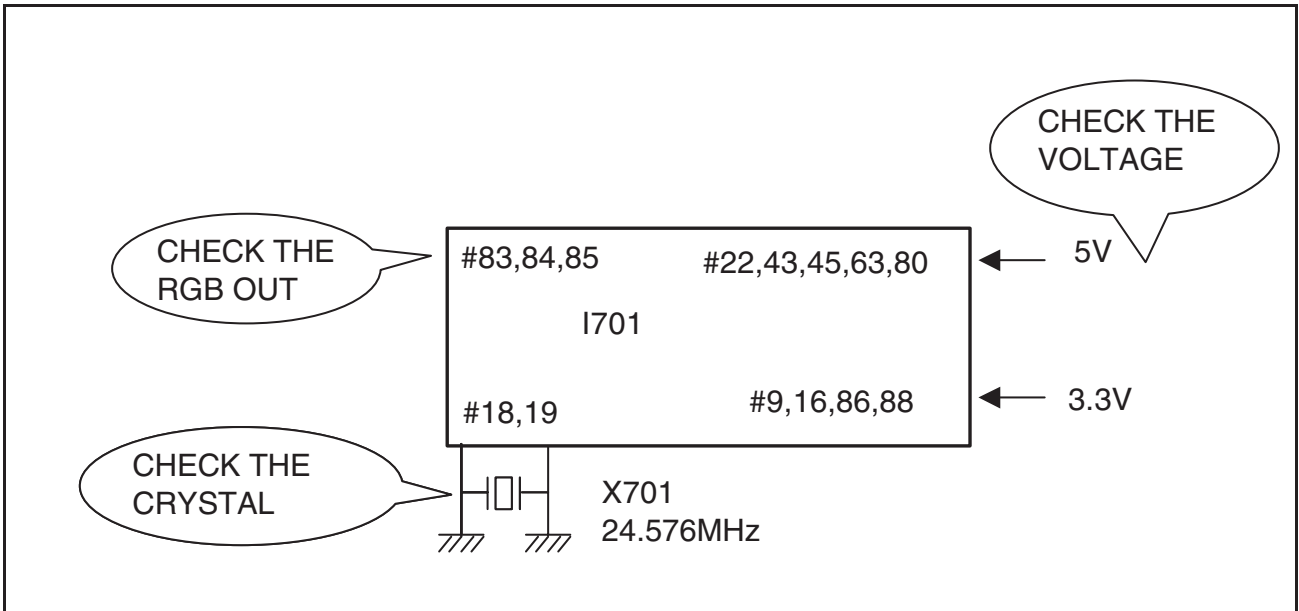


4. CH DON'T MEMORY or SKIP

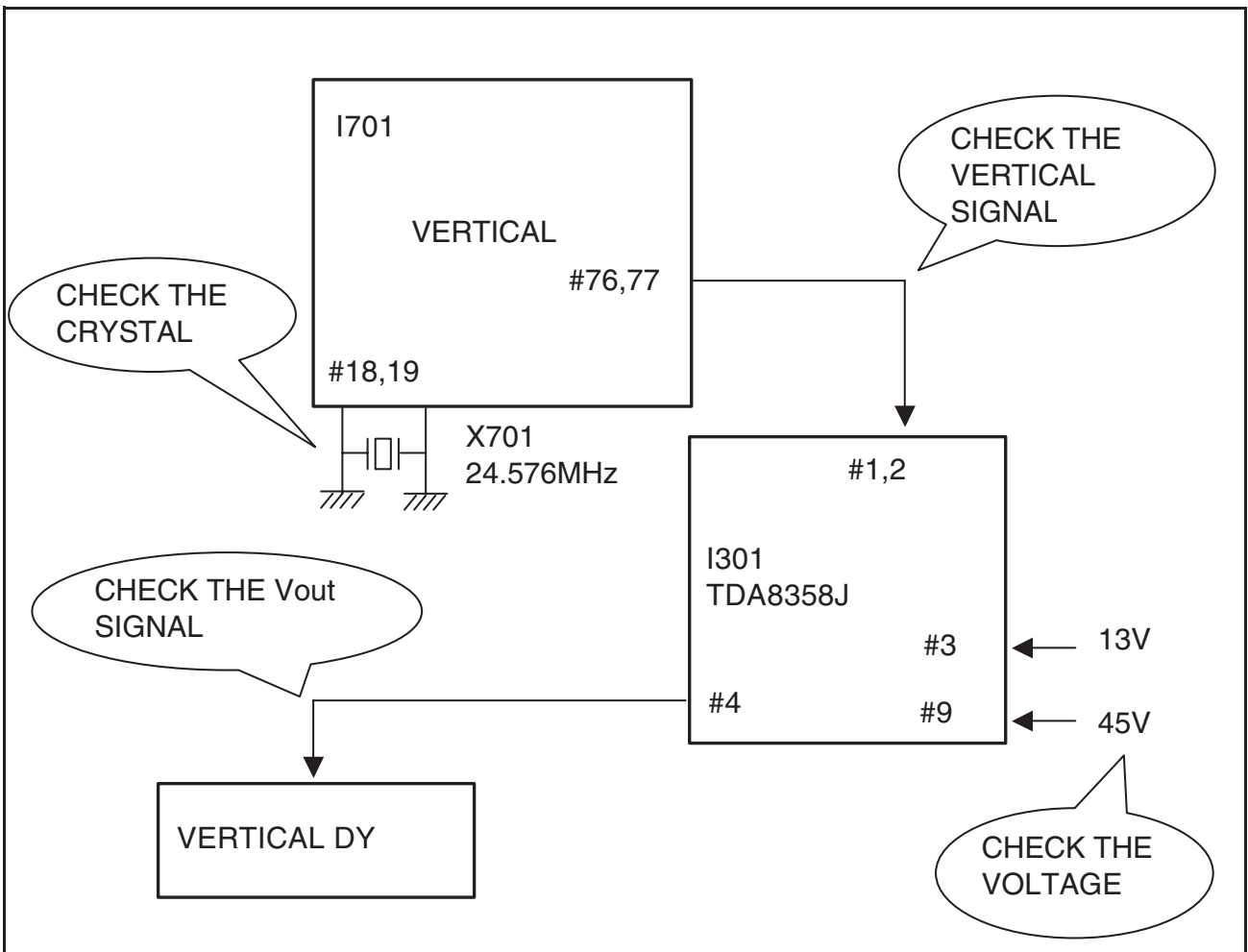
Check The loutput Signal Conditions	NG : Loss of Signal or Weak Signal
	OK : Go To The Figure (E)



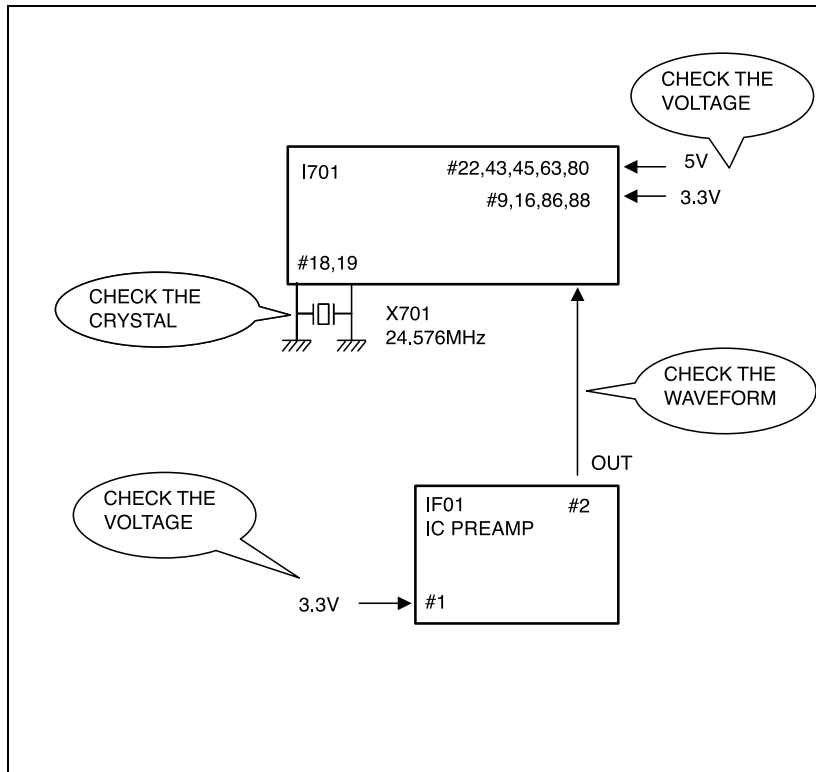
5. NO COLOR



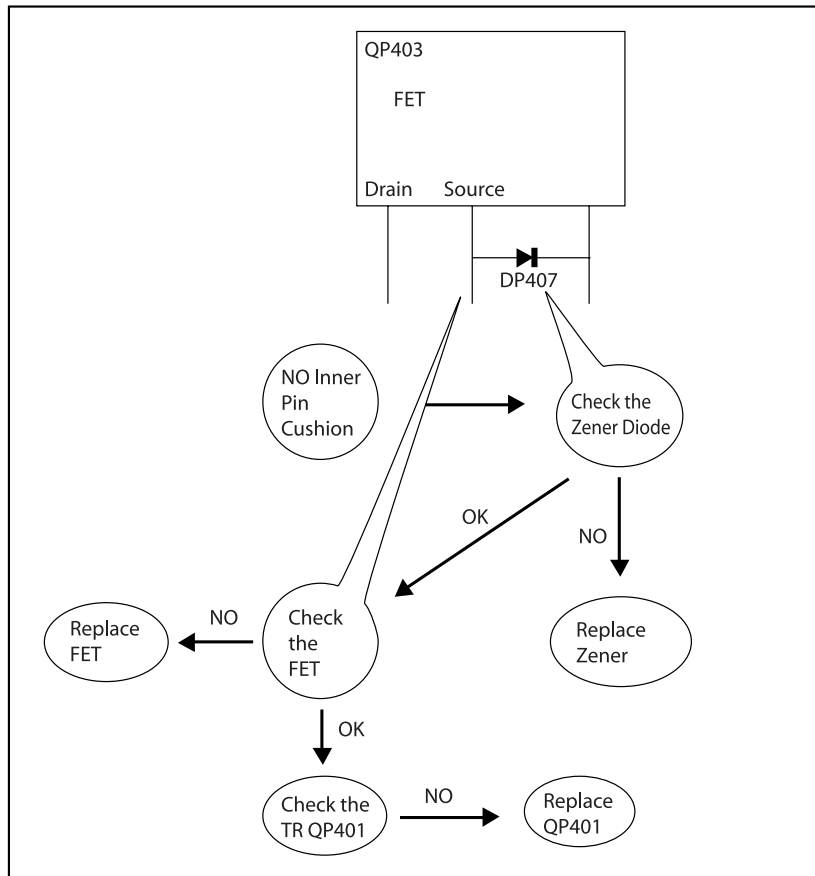
6. NO VERTICAL DEFLECTION



7. REMOTE CONTROL DOES NOT OPERATE



8. No Inner Pin Cushion



ELECTRICAL PARTS LIST

★Caution

: In this Manual, some parts can be changed for improving their performance without notice in the parts list. So, if you need the latest parts information, please refer to PPL(Parts Price List)in Service Information Center(<http://svc.dwe.co.kr>)

**This BOM is based on DTH-2930SSFV

NO	LOC	PARTS CODE	PARTS NAME	PARTS DESCRIPTION	REMARK
1	ZZ100	48B5748C04	TRANSMITTER REMOCON	R-48C04 (AAA)	
2	ZZ110	PTACPWK009	ACCESSORY AS	DTQ-29U4SC	
3	ZZ120	PTBCSHK016	COVER BACK AS	DTQ-29U1SC	
4	M211	4852163100	COVER BACK	FR HIPS GY 29U1	
5	M781	4857817630	CLOTH BLACK	FELT 400X20X0.7	
6	M782	4857817612	CLOTH BLACK	FELT 250X20X0.7	
7	ZZ131	48519A4210	CRT GROUND NET	2901H-1015-2P	
8	ZZ132	58G0000143	COIL DEGAUSSING	DC-29S1	
9	ZZ140	PTCACAK142	CABINET AS	DTQ-29U1SCV	
10	M201C	4856215404	WASHER RUBBER	CR T4.0	
11	M201E	4856816300	CLAMP WIRE	NYLON 6 (V0)	
12	V901	4859643460	CRT	A68ELA021X103 (CHN)	
13	ZZ200	PTFMSJK016	MASK FRONT AS	DTQ-29U1SC	
14	M191	4851948400	BUTTON CTRL	4955100+5549200 29U1	
15	M191A	7178301011	SCREW TAPPTITE	TT2 WAS 3X10 MFZN	
16	M201	4852083500	MASK FRONT	FR HIPS GY 29U1	
17	M481	4854864100	BUTTON POWER	FR HIPS GY 29U1	
18	M481A	4856716000	SPRING	SWPA PIE0.5	
19	M561	4855617400	MARK BRAND	CU AU+ABS BK	
20	M781	4857818703	CLOTH BLACK	FELT 300X15XT1.0	
21	ZZ201	PTSPPWK129	SPEAKER AS	DTQ-29U1V	
22	PA601	4850704S32	CONNECTOR	YH025-04+YRT205+ULW=900	
23	SP601	4858310810	SPEAKER	SP-58126F01	
24	SP602	4858310810	SPEAKER	SP-58126F01	
25	JA02	4859105450	JACK PIN BOARD	YSC03P-4120-9S	
26	M111	4851114003	PANEL AV ASSY	2326802+5934301	
27	M684	4856812001	TIE CABLE	NYLON66 DA100	
28	P201A	4850705N21	CONNECTOR	YH025-05+YBNH250+USW=400	
29	10	2TM14006LB	TAPE MASKING	3M #232 6.0X2000M	
30	20	2TM10006LB	TAPE MASKING	3M #232-MAP-C 6.2X2000M	
31	A001	4859802917	PCB JACK	79.05X27.3(197X246/14)C1B	
32	CC608	CCZB1H102K	C CERA	50V B 1000PF K (AXIAL)	
33	CCS07	CCZB1H102K	C CERA	50V B 1000PF K (AXIAL)	
34	RC636	RD-AZ224J-	R CARBON FILM	1/6 220K OHM J	
35	RCS33	RD-AZ224J-	R CARBON FILM	1/6 220K OHM J	
36	ZZ290	PTMPMSK142	PCB MAIN MANUAL AS	DTQ-29U1SCV	
37	C118	CMXL1J154J	C MYLAR	63V MEU 0.15MF J	
38	C401	CEYD1H689W	C ELECTRO	50V RHD 6.8MF (16X35.5)	
39	C406	CMYF2G394J	C MYLAR	400V MPP 0.39MF J	
40	C407	CMYH3C722J	C MYLAR	1.6KV BUP 7200PF J	

ELECTRICAL PARTS LIST

NO	LOC	PARTS CODE	PARTS NAME	PARTS DESCRIPTION	REMARK
41	C408	CMYH3C702J	C MYLAR	1.6KV BUP 7000PF J	
42	C409	CMYE2G273J	C MYLAR	400V PU 0.027MF J	
43	C801	CL1UC3474M	C LINE ACROSS	0.47MF 1J(UCVSNDF/SV)+Q/O	
44	C802	CL1UC3474M	C LINE ACROSS	0.47MF 1J(UCVSNDF/SV)+Q/O	
45	C806	CEYD2D331D	C ELECTRO	200V FHS 330MF (22X30)	
46	C819	CEYF1E332V	C ELECTRO	25V RSS 3300MF (16X31.5)	
47	CS803	CH1BFE222M	C CERA AC	U/C/V AC400V 2200PF	
48	CS804	CH1BFE222M	C CERA AC	U/C/V AC400V 2200PF	
49	D402	DDGP30L---	DIODE	DGP30L	
50	D403	DRGP30J---	DIODE	RGP30J DO-201AD 600V 3A	
51	D801	D1N5406G--	DIODE	IN5406G	
52	D802	D1N5406G--	DIODE	IN5406G	
53	D803	D1N5406G--	DIODE	IN5406G	
54	D804	D1N5406G--	DIODE	IN5406G	
55	D809	DRGP30J---	DIODE	RGP30J DO-201AD 600V 3A	
56	D813	DSR306E20-	DIODE	SR306E20	
57	DL701	DLH2PR5MH3	LED HOLDER AS	LH-2P-R-5M-H3	
58	I301	PTA2SW8227	HEAT SINK ASS'Y	1TDA8358J- + 7174301011	
59	00001	1TDA8358J-	IC VERTICAL	TDA8358J	
60	0000A	4857028227	HEAT SINK	AL EX BK	
61	0000B	7174301011	SCREW TAPPTITE	TT2 RND 3X10 MFZN	
62	I601	PTI2SW8200	HEAT SINK ASS'Y	1LA42072N- + 7174300811	
63	00001	1LA42072N-	IC AUDIO AMP	LA42072N	
64	0000A	4857028200	HEAT SINK	AL EX BK	
65	0000B	7174300811	SCREW TAPPTITE	TT2 RND 3X8 MFZN	
66	I701	1DA12001PQ	IC MICOM FLASH	TDA12001PQ	
67	I702	124LC16B1B	IC MEMORY	24LC16B1B	
68	I801	PTB2SW4401	HEAT SINK ASS'Y	1STRW6735- + 7174300811	
69	00001	1STRW6735-	IC POWER	STR-W6735	
70	0000A	4857024401	HEAT SINK	AL EX	
71	0000B	7174300811	SCREW TAPPTITE	TT2 RND 3X8 MFZN	
72	I802	1LTV817C--	IC PHOTO COUPLER	LTV-817C	
73	I803	PTUASW6900	HEAT SINK ASS'Y AS	1LD1117V33 + 7174300811	
74	00001	1LD1117V33	IC REGULATOR	LD1117AV33 3.3V 2% TO-220	
75	0000A	4857026900	HEAT SINK	AL EX	
76	0000B	7174300811	SCREW TAPPTITE	TT2 RND 3X8 MFZN	
77	I805	1K78R05---	IC REGULATOR	KIA78R05API	
78	IF01	1346VF6---	IC PREAMP	346VF6	
79	JP501	4859111550	JACK PIN BOARD	YPJ501B	
80	JP502	4859106440	JACK S-VHS	PH-SJ-9503	
81	JP503	4859107050	JACK PIN BOARD	PH-JB-9601 (PH06P-4120-C)	
82	L401	58C7070085	COIL CHOKE	TLN-3062A	
83	L402	58H0000033	COIL H-LINEARITY	TRL-2532	
84	L801	5PDLF3055L	FILTER LINE	DLF-3055L	
85	L807	58C0000090	COIL CHOKE	L-45S	

ELECTRICAL PARTS LIST

NO	LOC	PARTS CODE	PARTS NAME	PARTS DESCRIPTION	REMARK
86	M681	4853747800	RETA PCB	NYLON 66	
87	M682	4853747800	RETA PCB	NYLON 66	
88	M683	4853747800	RETA PCB	NYLON 66	
89	PA906	4850708S03	CONNECTOR	YH025-08+YST025+ULW=500	
90	PW801	4859907810	CORD POWER AS	ME301P+TER=2100	
91	Q401	TKTC3229--	TR	KTC3229	
92	Q402	PTH2SW7609	HEAT SINK ASS`Y	T2SD2578-- + 7174301011	
93	00001	T2SD2578--	TR HORI	2SD2578	
94	0000A	4857027609	HEAT SINK	AL EX	
95	0000B	7174301011	SCREW TAPPTITE	TT2 RND 3X10 MFZN	
96	R617	RF02Y338K-	R FUSIBLE	2W 0.33 OHM K	
97	R801	RX10T109JS	R CEMENT	10W 1 OHM J TRIPOD SMALL	
98	R837	RM02Y158J-	R METAL FLAT	2W 0.15 OHM J	
99	RY801	DDB3R0M140	POSISTOR	ECPBD3R0M140	
100	SW707	5S50101035	SW TACT	KPT-1112 1C-1P	
101	T401	5TD0000018	TRANS DRIVE	THD-120	
102	T402	50H0000287	FBT	BSC29-0172D	
103	T801	50M4445B7-	TRANS SMPS	TSM-4445B7	
104	TU101	4859726730	TUNER VARACTOR	TAEC-H012F(A)	
105	X701	5XJ24R576E	CRYSTAL QUARTZ	HC-49/S 24.576MHZ 30PPM	
106	Y801	5SC0101339	SW RELAY	SDT-S-105LMR	
107	Z101	5PTSB6221C	FILTER SAW	TSB6221C	
108	Z801	DSVC471D14	VARIATOR	SVC471D14A (BULK)	
109	C404	CEXA2D229E	C ELECTRO	200V RUL 2.2MF (10X16) TP	
110	C410	CMXB2G472J	C MYLAR	400V EU 4700PF J (TP)	
111	C411	CEXF2E100V	C ELECTRO	250V RSS 10MF (10X20) TP	
112	C412	CCXB3D681K	C CERA	2KV B 680PF K (TAPPING)	
113	C417	CEXF1E102V	C ELECTRO	25V RSS 1000MF (13X20) TP	
114	C419	CEXF2A470V	C ELECTRO	100V RSS 47MF (10X16) TP	
115	C613	CEXF1E102V	C ELECTRO	25V RSS 1000MF (13X20) TP	
116	C804	CH1BEE472M	C CERA AC	U/C/V 2.5KV 4700PF TP	
117	C805	CH1BEE472M	C CERA AC	U/C/V 2.5KV 4700PF TP	
118	C807	CBXB3D102K	C CERA SEMI	2KV BL(N) 1000PF K (T)	
119	C814	CCXB3D221K	C CERA	2KV B 220PF K (TAPPING)	
120	C815	CBXB3D471K	C CERA SEMI	2KV BL(N) 470PF K (T)	
121	C816	CEXF2C101C	C ELECTRO	160V RUS 100MF (16X25) TP	
122	C817	CEXF2A470V	C ELECTRO	100V RSS 47MF (10X16) TP	
123	C818	CBXB3D471K	C CERA SEMI	2KV BL(N) 470PF K (T)	
124	C820	CEXF2C101C	C ELECTRO	160V RUS 100MF (16X25) TP	
125	C835	CEXF1C102V	C ELECTRO	16V RSS 1000MF (10X20) TP	
126	C842	CBXB3D471K	C CERA SEMI	2KV BL(N) 470PF K (T)	
127	C852	CEXF1E102V	C ELECTRO	25V RSS 1000MF (13X20) TP	
128	P601	485923172S	CONN WAFER	YW025-04 (STICK)	
129	P705	485923172S	CONN WAFER	YW025-04 (STICK)	
130	P902	485923172S	CONN WAFER	YW025-04 (STICK)	

ELECTRICAL PARTS LIST

NO	LOC	PARTS CODE	PARTS NAME	PARTS DESCRIPTION	REMARK
131	PA907	485923182S	CONN WAFER	YW025-05 (STICK)	
132	R106	RS02Z512JS	R M-OXIDE FILM	2W 5.1K OHM J SMALL	
133	R305	RS02Z129JS	R M-OXIDE FILM	2W 1.2 OHM J SMALL	
134	R401	RS02Z100JS	R M-OXIDE FILM	2W 10 OHM J SMALL	
135	R402	RS02Z121JS	R M-OXIDE FILM	2W 120 OHM J SMALL	
136	R407	RS02Z223JS	R M-OXIDE FILM	2W 22K OHM J SMALL	
137	R408	RS02Z102JS	R M-OXIDE FILM	2W 1K OHM J SMALL	
138	R409	RS01Z103J-	R M-OXIDE FILM	1W 10K OHM J (TAPPING)	
139	R411	RS01Z229J-	R M-OXIDE FILM	1W 2.2 OHM J (TAPPING)	
140	R414	RF01Z828JA	R FUSIBLE	1W 0.82 OHM J A CURVE	
141	R416	RF01Z338K-	R FUSIBLE	1W 0.33 OHM K (TAPPING)	
142	R417	RS01Z229J-	R M-OXIDE FILM	1W 2.2 OHM J (TAPPING)	
143	R802	RS02Z913JS	R M-OXIDE FILM	2W 91K OHM J SMALL	
144	R829	RS02Z309JS	R M-OXIDE FILM	2W 3 OHM J SMALL	
145	R836	RS02Z109JS	R M-OXIDE FILM	2W 1 OHM J SMALL	
146	C101	CCXF1H103Z	C CERA	50V F 0.01MF Z (TAPPING)	
147	C102	CEXF1H100V	C ELECTRO	50V RSS 10MF (5X11) TP	
148	C103	CCXF1H103Z	C CERA	50V F 0.01MF Z (TAPPING)	
149	C104	CEXF1C221V	C ELECTRO	16V RSS 220MF (8X11.5) TP	
150	C105	CCXF1H103Z	C CERA	50V F 0.01MF Z (TAPPING)	
151	C106	CEXF1H229V	C ELECTRO	50V RSS 2.2MF (5X11) TP	
152	C112	CMXM2A682J	C MYLAR	100V 6800PF J (TP)	
153	C114	CEXF1H109V	C ELECTRO	50V RSS 1MF (5X11) TP	
154	C115	CMXL1J224J	C MYLAR	63V MEU 0.22MF J (TP)	
155	C116	CCXF1H223Z	C CERA	50V F 0.022MF Z (TAPPING)	
156	C117	CEXF1H100V	C ELECTRO	50V RSS 10MF (5X11) TP	
157	C119	CCXF1H103Z	C CERA	50V F 0.01MF Z (TAPPING)	
158	C122	CEXF1H229V	C ELECTRO	50V RSS 2.2MF (5X11) TP	
159	C123	CEXF1H229V	C ELECTRO	50V RSS 2.2MF (5X11) TP	
160	C124	CMXM2A473J	C MYLAR	100V 0.047MF J (TP)	
161	C125	CEXF1H229V	C ELECTRO	50V RSS 2.2MF (5X11) TP	
162	C127	CEXF1C101V	C ELECTRO	16V RSS 100MF (6.3X11) TP	
163	C128	CEXF1H229V	C ELECTRO	50V RSS 2.2MF (5X11) TP	
164	C130	CEXF1C101V	C ELECTRO	16V RSS 100MF (6.3X11) TP	
165	C131	CCXB1H102K	C CERA	50V B 1000PF K (TAPPING)	
166	C201	CMXL1J104J	C MYLAR	63V MEU 0.1MF J	
167	C202	CEXF1H100V	C ELECTRO	50V RSS 10MF (5X11) TP	
168	C204	CEXF1C101V	C ELECTRO	16V RSS 100MF (6.3X11) TP	
169	C301	CMXM2A473J	C MYLAR	100V 0.047MF J (TP)	
170	C305	CMXM2A104J	C MYLAR	100V 0.1MF J (TP)	
171	C306	CMXL1J104J	C MYLAR	63V MEU 0.1MF J	
172	C307	CCXF1H473Z	C CERA	50V F 0.047MF Z (TAPPING)	
173	C308	CCXF1H473Z	C CERA	50V F 0.047MF Z (TAPPING)	
174	C402	CMXM2A104J	C MYLAR	100V 0.1MF J (TP)	
175	C403	CCXB2H102K	C CERA	500V B 1000PF K (TAPPING)	

ELECTRICAL PARTS LIST

NO	LOC	PARTS CODE	PARTS NAME	PARTS DESCRIPTION	REMARK
176	C405	CCXB2H561K	C CERA	500V B 560PF K (TAPPING)	
177	C413	CEXF1H470V	C ELECTRO	50V RSS 47MF (6.3X11) TP	
178	C414	CCXB2H102K	C CERA	500V B 1000PF K (TAPPING)	
179	C416	CCXB2H102K	C CERA	500V B 1000PF K (TAPPING)	
180	C418	CCXB2H102K	C CERA	500V B 1000PF K (TAPPING)	
181	C420	CCXB2H102K	C CERA	500V B 1000PF K (TAPPING)	
182	C422	CMXM2A473J	C MYLAR	100V 0.047MF J (TP)	
183	C423	CMXM2A104J	C MYLAR	100V 0.1MF J (TP)	
184	C601	CEXF1E470V	C ELECTRO	25V RSS 47MF (5X11) TP	
185	C602	CMXL1J224J	C MYLAR	63V MEU 0.22MF J (TP)	
186	C603	CMXL1J224J	C MYLAR	63V MEU 0.22MF J (TP)	
187	C604	CEXF1H100V	C ELECTRO	50V RSS 10MF (5X11) TP	
188	C605	CMXM2A682J	C MYLAR	100V 6800PF J (TP)	
189	C606	CMXM2A682J	C MYLAR	100V 6800PF J (TP)	
190	C607	CMXM2A104J	C MYLAR	100V 0.1MF J (TP)	
191	C608	CMXM2A104J	C MYLAR	100V 0.1MF J (TP)	
192	C609	CMXM2A104J	C MYLAR	100V 0.1MF J (TP)	
193	C610	CMXM2A104J	C MYLAR	100V 0.1MF J (TP)	
194	C614	CEXF1C470V	C ELECTRO	16V RSS 47MF (5X11) TP	
195	C619	CMXM2A103J	C MYLAR	100V 0.01MF J (TP)	
196	C620	CMXL1J104J	C MYLAR	63V MEU 0.1MF J	
197	C622	CEXF1H478V	C ELECTRO	50V RSS 0.47MF (5X11) TP	
198	C623	CEXF1H478V	C ELECTRO	50V RSS 0.47MF (5X11) TP	
199	C624	CMXL1J104J	C MYLAR	63V MEU 0.1MF J	
200	C625	CMXL1J104J	C MYLAR	63V MEU 0.1MF J	
201	C626	CMXL1J104J	C MYLAR	63V MEU 0.1MF J	
202	C627	CMXL1J104J	C MYLAR	63V MEU 0.1MF J	
203	C628	CEXF1H478V	C ELECTRO	50V RSS 0.47MF (5X11) TP	
204	C629	CEXF1H478V	C ELECTRO	50V RSS 0.47MF (5X11) TP	
205	C701	CEXF1C101V	C ELECTRO	16V RSS 100MF (6.3X11) TP	
206	C704	CEXF1E470V	C ELECTRO	25V RSS 47MF (5X11) TP	
207	C705	CMXM2A104J	C MYLAR	100V 0.1MF J (TP)	
208	C707	CEXF1C101V	C ELECTRO	16V RSS 100MF (6.3X11) TP	
209	C713	CEXF1C470V	C ELECTRO	16V RSS 47MF (5X11) TP	
210	C716	CEXF1C101V	C ELECTRO	16V RSS 100MF (6.3X11) TP	
211	C721	CEXF1C101V	C ELECTRO	16V RSS 100MF (6.3X11) TP	
212	C722	CMXL1J224J	C MYLAR	63V MEU 0.22MF J (TP)	
213	C723	CEXF1H229V	C ELECTRO	50V RSS 2.2MF (5X11) TP	
214	C724	CXCH1H809D	C CERA	50V CH 8PF D (TAPPING)	
215	C725	CXCH1H809D	C CERA	50V CH 8PF D (TAPPING)	
216	C726	CMXL1J104J	C MYLAR	63V MEU 0.1MF J	
217	C727	CEXF1C101V	C ELECTRO	16V RSS 100MF (6.3X11) TP	
218	C729	CEXF1H479V	C ELECTRO	50V RSS 4.7MF (5X11) TP	
219	C730	CEXF1C101V	C ELECTRO	16V RSS 100MF (6.3X11) TP	
220	C731	CEXF1E470V	C ELECTRO	25V RSS 47MF (5X11) TP	

ELECTRICAL PARTS LIST

NO	LOC	PARTS CODE	PARTS NAME	PARTS DESCRIPTION	REMARK
221	C732	CMXL1J224J	C MYLAR	63V MEU 0.22MF J (TP)	
222	C734	CMXL1J224J	C MYLAR	63V MEU 0.22MF J (TP)	
223	C735	CEXF1C101V	C ELECTRO	16V RSS 100MF (6.3X11) TP	
224	C737	CBXF1H104Z	C CERA SEMI	50V F 0.1MF Z (TAPPING)	
225	C740	CEXF1C101V	C ELECTRO	16V RSS 100MF (6.3X11) TP	
226	C809	CEXF1H109V	C ELECTRO	50V RSS 1MF (5X11) TP	
227	C810	CCXF1H223Z	C CERA	50V F 0.022MF Z (TAPPING)	
228	C811	CMXM2A104J	C MYLAR	100V 0.1MF J (TP)	
229	C812	CCXB1H821K	C CERA	50V B 820PF K (TAPPING)	
230	C813	CCXB1H471K	C CERA	50V B 470PF K (TAPPING)	
231	C821	CEXF1H479V	C ELECTRO	50V RSS 4.7MF (5X11) TP	
232	C824	CMXL1J154J	C MYLAR	63V MEU 0.15MF J	
233	C826	CEXF1E221V	C ELECTRO	25V RSS 220MF (8X11.5) TP	
234	C827	CEXF1C331V	C ELECTRO	16V RSS 330MF (8X11.5) TP	
235	C828	CEXF1H479V	C ELECTRO	50V RSS 4.7MF (5X11) TP	
236	C834	CMXL1J104J	C MYLAR	63V MEU 0.1MF J	
237	C836	CEXF1E221V	C ELECTRO	25V RSS 220MF (8X11.5) TP	
238	C837	CEXF1H470V	C ELECTRO	50V RSS 47MF (6.3X11) TP	
239	CA07	CCXB1H102K	C CERA	50V B 1000PF K (TAPPING)	
240	CA08	CCXB1H102K	C CERA	50V B 1000PF K (TAPPING)	
241	CV12	CEXF1C470V	C ELECTRO	16V RSS 47MF (5X11) TP	
242	F801	5FWPS5022L	FUSE	WIDE TL 250V 5A CASE	
243	I804	1K1A431B—	IC REGULATOR(SHUNT)	KIA431B 2.495V 0.5% TO-92	
244	L808	58C0000142	COIL CHOKE	ELC 0809 940K	
245	Q101	TKTC3198Y-	TR	KTC3198Y	
246	Q201	TKTA1266Y-	TR	KTA1266Y (TP)	
247	Q602	TKTA1266Y-	TR	KTA1266Y (TP)	
248	Q704	TKTC3198Y-	TR	KTC3198Y	
249	Q705	TKTA1270Y-	TR	KTA1270Y (TP)	
250	Q706	TKTC3198Y-	TR	KTC3198Y	
251	Q707	TKTA1270Y-	TR	KTA1270Y (TP)	
252	Q708	TKTC3198Y-	TR	KTC3198Y	
253	Q801	TKTC3203Y-	TR	KTC3203-Y	
254	Q804	TKTC3198Y-	TR	KTC3198Y	
255	Q805	TKTC3198Y-	TR	KTC3198Y	
256	QV01	TKTC3198Y-	TR	KTC3198Y	
257	QV02	TKTA1266Y-	TR	KTA1266Y (TP)	
258	R302	RN02B181JS	R METAL FILM	2W 180 OHM J SMALL	
259	R403	RN01B472JS	R METAL FILM	1W 4.7K OHM J SMALL	
260	SW701	5S50101090	SW TACT	THVH472GCA	
261	SW702	5S50101090	SW TACT	THVH472GCA	
262	SW703	5S50101090	SW TACT	THVH472GCA	
263	SW704	5S50101090	SW TACT	THVH472GCA	
264	SW705	5S50101090	SW TACT	THVH472GCA	
265	SW706	5S50101090	SW TACT	THVH472GCA	

ELECTRICAL PARTS LIST

NO	LOC	PARTS CODE	PARTS NAME	PARTS DESCRIPTION	REMARK
266	A001	4859818691	PCB MAIN	330X246 D1B	
267	C107	CZSL1H470J	C CERA	50V SL 47PF J (AXIAL)	
268	C108	CZSL1H470J	C CERA	50V SL 47PF J (AXIAL)	
269	C109	CCZF1H103Z	C CERA	50V F 0.01MF Z	
270	C110	CCZB1H222K	C CERA	50V B 2200PF K AXIAL	
271	C111	CCZB1H222K	C CERA	50V B 2200PF K AXIAL	
272	C126	CBZF1H104Z	C CERA SEMI	50V F 0.1MF Z	
273	C129	CBZF1H104Z	C CERA SEMI	50V F 0.1MF Z	
274	C203	CBZF1H104Z	C CERA SEMI	50V F 0.1MF Z	
275	C205	CBZF1H104Z	C CERA SEMI	50V F 0.1MF Z	
276	C206	CCZB1H472K	C CERA	HIKB 50V 4700PF K AXIAL	
277	C612	CBZF1H104Z	C CERA SEMI	50V F 0.1MF Z	
278	C702	CBZF1H104Z	C CERA SEMI	50V F 0.1MF Z	
279	C703	CBZF1H104Z	C CERA SEMI	50V F 0.1MF Z	
280	C706	CBZF1H104Z	C CERA SEMI	50V F 0.1MF Z	
281	C712	CCZB1H561K	C CERA	50V B 560PF K	
282	C714	CBZF1H104Z	C CERA SEMI	50V F 0.1MF Z	
283	C715	CBZF1H104Z	C CERA SEMI	50V F 0.1MF Z	
284	C717	CCZB1H102K	C CERA	50V B 1000PF K (AXIAL)	
285	C719	CCZB1H102K	C CERA	50V B 1000PF K (AXIAL)	
286	C720	CBZF1H104Z	C CERA SEMI	50V F 0.1MF Z	
287	C728	CCZF1H103Z	C CERA	50V F 0.01MF Z	
288	C733	CBZF1H104Z	C CERA SEMI	50V F 0.1MF Z	
289	C736	CCZB1H102K	C CERA	50V B 1000PF K (AXIAL)	
290	C738	CCZB1H102K	C CERA	50V B 1000PF K (AXIAL)	
291	C739	CCZB1H102K	C CERA	50V B 1000PF K (AXIAL)	
292	CA03	CCZB1H102K	C CERA	50V B 1000PF K (AXIAL)	
293	CA04	CCZB1H102K	C CERA	50V B 1000PF K (AXIAL)	
294	CA05	CCZB1H102K	C CERA	50V B 1000PF K (AXIAL)	
295	CA06	CCZB1H102K	C CERA	50V B 1000PF K (AXIAL)	
296	CV13	CBZF1H104Z	C CERA SEMI	50V F 0.1MF Z	
297	CV14	CBZF1H104Z	C CERA SEMI	50V F 0.1MF Z	
298	CV15	CBZF1H104Z	C CERA SEMI	50V F 0.1MF Z	
299	D101	DUZ33B--	DIODE ZENER	UZ-33B	
300	D301	D1N4937G--	DIODE	1N4937G (TAPPING)	
301	D401	D1N4937G--	DIODE	1N4937G (TAPPING)	
302	D404	DUZ9R1BM--	DIODE ZENER	UZ-9.1BM	
303	D405	D1N4937G--	DIODE	1N4937G (TAPPING)	
304	D406	D1N4937G--	DIODE	1N4937G (TAPPING)	
305	D407	DRGP15J--	DIODE	RGP15J DO-204AC 600V 1.5A	
306	D408	DRGP15J--	DIODE	RGP15J DO-204AC 600V 1.5A	
307	D602	D1N4148--	DIODE	1N4148 (TAPPING)	
308	D701	DUZ3R9B--	DIODE ZENER	UZ-3.9B	
309	D702	D1N4148--	DIODE	1N4148 (TAPPING)	
310	D703	D1N4148--	DIODE	1N4148 (TAPPING)	

ELECTRICAL PARTS LIST

NO	LOC	PARTS CODE	PARTS NAME	PARTS DESCRIPTION	REMARK
311	D706	DUZ3R3B---	DIODE ZENER	UZ-3.3B	
312	D805	D1N4937G--	DIODE	1N4937G (TAPPING)	
313	D806	D1N4937G--	DIODE	1N4937G (TAPPING)	
314	D807	D1N4937G--	DIODE	1N4937G (TAPPING)	
315	D808	DMTZJ6R2C-	DIODE ZENER	MTZJ 6.2C	
316	D810	D1N4937G--	DIODE	1N4937G (TAPPING)	
317	D812	DRGP15J--	DIODE	RGP15J DO-204AC 600V 1.5A	
318	D814	DUZ4R3B---	DIODE ZENER	UZ-4R3B	
319	D815	D1N4148---	DIODE	1N4148 (TAPPING)	
320	DV02	DMTZJ5R6B-	DIODE ZENER	MTZJ 5.6B	
321	DV03	DMTZJ5R6B-	DIODE ZENER	MTZJ 5.6B	
322	DV05	DMTZJ5R6B-	DIODE ZENER	MTZJ 5.6B	
323	DV06	DMTZJ5R6B-	DIODE ZENER	MTZJ 5.6B	
324	L101	5CPZ470K04	COIL PEAKING	47UH 10.5MM K (LAL04TB)	
325	L103	5CPZ479K02	COIL PEAKING	4.7UH K (AXIAL 3.5MM)	
326	L104	5CPZ479K04	COIL PEAKING	4.7UH K (AXIAL 10.5MM)	
327	L201	5CPZ479K02	COIL PEAKING	4.7UH K (AXIAL 3.5MM)	
328	L301	5MC0000100	COIL BEAD	HC-3550	
329	L302	5MC0000100	COIL BEAD	HC-3550	
330	L403	5MC0000100	COIL BEAD	HC-3550	
331	L701	5CPZ479K04	COIL PEAKING	4.7UH K (AXIAL 10.5MM)	
332	L702	5CPZ479K02	COIL PEAKING	4.7UH K (AXIAL 3.5MM)	
333	L703	5CPZ479K02	COIL PEAKING	4.7UH K (AXIAL 3.5MM)	
334	L704	5CPZ479K02	COIL PEAKING	4.7UH K (AXIAL 3.5MM)	
335	L705	5CPZ479K02	COIL PEAKING	4.7UH K (AXIAL 3.5MM)	
336	L706	5CPZ479K02	COIL PEAKING	4.7UH K (AXIAL 3.5MM)	
337	L707	5CPZ479K04	COIL PEAKING	4.7UH K (AXIAL 10.5MM)	
338	L709	5CPZ479K02	COIL PEAKING	4.7UH K (AXIAL 3.5MM)	
339	L714	5CPZ479K02	COIL PEAKING	4.7UH K (AXIAL 3.5MM)	
340	L803	5MC0000100	COIL BEAD	HC-3550	
341	L804	5MC0000100	COIL BEAD	HC-3550	
342	L805	5MC0000100	COIL BEAD	HC-3550	
343	L806	5MC0000100	COIL BEAD	HC-3550	
344	R101	RD-AZ101J-	R CARBON FILM	1/6 100 OHM J	
345	R102	RD-AZ101J-	R CARBON FILM	1/6 100 OHM J	
346	R103	RD-AZ472J-	R CARBON FILM	1/6 4.7K OHM J	
347	R104	RD-AZ100J-	R CARBON FILM	1/6 10 OHM J	
348	R105	RD-AZ473J-	R CARBON FILM	1/6 47K OHM J	
349	R107	RD-AZ103J-	R CARBON FILM	1/6 10K OHM J	
350	R108	RD-AZ472J-	R CARBON FILM	1/6 4.7K OHM J	
351	R111	RD-AZ181J-	R CARBON FILM	1/6 180 OHM J	
352	R112	RD-AZ101J-	R CARBON FILM	1/6 100 OHM J	
353	R113	RD-AZ101J-	R CARBON FILM	1/6 100 OHM J	
354	R114	RD-AZ102J-	R CARBON FILM	1/6 1K OHM J	
355	R119	RD-AZ393J-	R CARBON FILM	1/6 39K OHM J	

ELECTRICAL PARTS LIST

NO	LOC	PARTS CODE	PARTS NAME	PARTS DESCRIPTION	REMARK
356	R121	RD-AZ183J-	R CARBON FILM	1/6 18K OHM J	
357	R201	RD-AZ224J-	R CARBON FILM	1/6 220K OHM J	
358	R203	RN-AZ1801F	R METAL FILM	1/6 1.8K OHM F	
359	R204	RD-4Z222J-	R CARBON FILM	1/4 2.2K OHM J	
360	R213	RD-AZ750J-	R CARBON FILM	1/6 75 OHM J	
361	R301	RD-4Z159J-	R CARBON FILM	1/4 1.5 OHM J	
362	R303	RD-AZ272J-	R CARBON FILM	1/6 2.7K OHM J	
363	R304	RD-AZ823J-	R CARBON FILM	1/6 82K OHM J	
364	R306	RD-AZ103J-	R CARBON FILM	1/6 10K OHM J	
365	R307	RN-AZ2201F	R METAL FILM	1/6 2.2K OHM F	
366	R308	RD-4Z514J-	R CARBON FILM	1/4 510K OHM J	
367	R310	RD-AZ104J-	R CARBON FILM	1/6 100K OHM J	
368	R311	RD-4Z563J-	R CARBON FILM	1/4 56K OHM J	
369	R312	RN-AZ2201F	R METAL FILM	1/6 2.2K OHM F	
370	R313	85801065GY	WIRE COPPER	AWG22 1/0.65 TIN COATING	
371	R314	85801065GY	WIRE COPPER	AWG22 1/0.65 TIN COATING	
372	R404	RD-AZ122J-	R CARBON FILM	1/6 1.2K OHM J	
373	R405	RD-AZ471J-	R CARBON FILM	1/6 470 OHM J	
374	R406	RD-4Z220J-	R CARBON FILM	1/4 22 OHM J	
375	R410	RN-AZ9101F	R METAL FILM	1/6 9.1K OHM F	
376	R412	RN-AZ1202F	R METAL FILM	1/6 12K OHM F	
377	R413	RD-4Z470J-	R CARBON FILM	1/4 47 OHM J	
378	R418	RD-4Z102J-	R CARBON FILM	1/4 1K OHM J	
379	R601	RD-AZ622J-	R CARBON FILM	1/6 6.2K OHM J	
380	R602	RD-AZ102J-	R CARBON FILM	1/6 1K OHM J	
381	R604	RD-AZ392J-	R CARBON FILM	1/6 3.9K OHM J	
382	R605	RD-AZ102J-	R CARBON FILM	1/6 1K OHM J	
383	R606	RD-AZ392J-	R CARBON FILM	1/6 3.9K OHM J	
384	R607	RD-AZ103J-	R CARBON FILM	1/6 10K OHM J	
385	R609	RD-AZ202J-	R CARBON FILM	1/6 2K OHM J	
386	R610	RD-AZ223J-	R CARBON FILM	1/6 22K OHM J	
387	R612	RD-AZ153J-	R CARBON FILM	1/6 15K OHM J	
388	R613	RD-4Z229J-	R CARBON FILM	1/4 2.2 OHM J	
389	R614	RD-4Z229J-	R CARBON FILM	1/4 2.2 OHM J	
390	R615	RD-4Z229J-	R CARBON FILM	1/4 2.2 OHM J	
391	R616	RD-4Z229J-	R CARBON FILM	1/4 2.2 OHM J	
392	R620	RD-AZ101J-	R CARBON FILM	1/6 100 OHM J	
393	R622	RD-AZ101J-	R CARBON FILM	1/6 100 OHM J	
394	R623	RD-AZ103J-	R CARBON FILM	1/6 10K OHM J	
395	R624	RD-AZ103J-	R CARBON FILM	1/6 10K OHM J	
396	R625	RD-AZ103J-	R CARBON FILM	1/6 10K OHM J	
397	R626	RD-AZ103J-	R CARBON FILM	1/6 10K OHM J	
398	R627	RD-AZ103J-	R CARBON FILM	1/6 10K OHM J	
399	R628	RD-AZ103J-	R CARBON FILM	1/6 10K OHM J	
400	R629	RD-AZ103J-	R CARBON FILM	1/6 10K OHM J	

ELECTRICAL PARTS LIST

NO	LOC	PARTS CODE	PARTS NAME	PARTS DESCRIPTION	REMARK
401	R630	RD-AZ103J-	R CARBON FILM	1/6 10K OHM J	
402	R632	RD-AZ103J-	R CARBON FILM	1/6 10K OHM J	
403	R633	RD-AZ103J-	R CARBON FILM	1/6 10K OHM J	
404	R634	RD-AZ103J-	R CARBON FILM	1/6 10K OHM J	
405	R635	RD-AZ103J-	R CARBON FILM	1/6 10K OHM J	
406	R636	RD-AZ472J-	R CARBON FILM	1/6 4.7K OHM J	
407	R701	RD-AZ101J-	R CARBON FILM	1/6 100 OHM J	
408	R702	RD-AZ101J-	R CARBON FILM	1/6 100 OHM J	
409	R703	RD-AZ101J-	R CARBON FILM	1/6 100 OHM J	
410	R704	85801065GY	WIRE COPPER	AWG22 1/0.65 TIN COATING	
411	R705	RD-AZ102J-	R CARBON FILM	1/6 1K OHM J	
412	R707	RN-AZ5600F	R METAL FILM	1/6 560 OHM F	
413	R708	RD-AZ101J-	R CARBON FILM	1/6 100 OHM J	
414	R709	RD-AZ823J-	R CARBON FILM	1/6 82K OHM J	
415	R710	RD-AZ563J-	R CARBON FILM	1/6 56K OHM J	
416	R712	RD-4Z222J-	R CARBON FILM	1/4 2.2K OHM J	
417	R713	RD-AZ470J-	R CARBON FILM	1/6 47 OHM J	
418	R714	RD-AZ123J-	R CARBON FILM	1/6 12K OHM J	
419	R719	RD-AZ101J-	R CARBON FILM	1/6 100 OHM J	
420	R720	RD-AZ101J-	R CARBON FILM	1/6 100 OHM J	
421	R722	RD-AZ100J-	R CARBON FILM	1/6 10 OHM J	
422	R723	RD-AZ122J-	R CARBON FILM	1/6 1.2K OHM J	
423	R725	RD-AZ513J-	R CARBON FILM	1/6 51K OHM J	
424	R726	RD-AZ101J-	R CARBON FILM	1/6 100 OHM J	
425	R727	RD-AZ102J-	R CARBON FILM	1/6 1K OHM J	
426	R729	RD-AZ101J-	R CARBON FILM	1/6 100 OHM J	
427	R730	RD-AZ101J-	R CARBON FILM	1/6 100 OHM J	
428	R732	RD-AZ101J-	R CARBON FILM	1/6 100 OHM J	
429	R733	RD-AZ472J-	R CARBON FILM	1/6 4.7K OHM J	
430	R735	RD-AZ102J-	R CARBON FILM	1/6 1K OHM J	
431	R736	RD-AZ472J-	R CARBON FILM	1/6 4.7K OHM J	
432	R742	RD-AZ181J-	R CARBON FILM	1/6 180 OHM J	
433	R743	RD-AZ151J-	R CARBON FILM	1/6 150 OHM J	
434	R744	RD-AZ181J-	R CARBON FILM	1/6 180 OHM J	
435	R745	RD-AZ241J-	R CARBON FILM	1/6 240 OHM J	
436	R746	RD-AZ331J-	R CARBON FILM	1/6 330 OHM J	
437	R747	RD-AZ471J-	R CARBON FILM	1/6 470 OHM J	
438	R748	RD-AZ222J-	R CARBON FILM	1/6 2.2K OHM J	
439	R769	RD-AZ102J-	R CARBON FILM	1/6 1K OHM J	
440	R770	RD-AZ223J-	R CARBON FILM	1/6 22K OHM J	
441	R772	RD-4Z473J-	R CARBON FILM	1/4 47K OHM J	
442	R773	RD-AZ472J-	R CARBON FILM	1/6 4.7K OHM J	
443	R774	RD-4Z473J-	R CARBON FILM	1/4 47K OHM J	
444	R775	RD-AZ472J-	R CARBON FILM	1/6 4.7K OHM J	
445	R776	RD-AZ332J-	R CARBON FILM	1/6 3.3K OHM J	

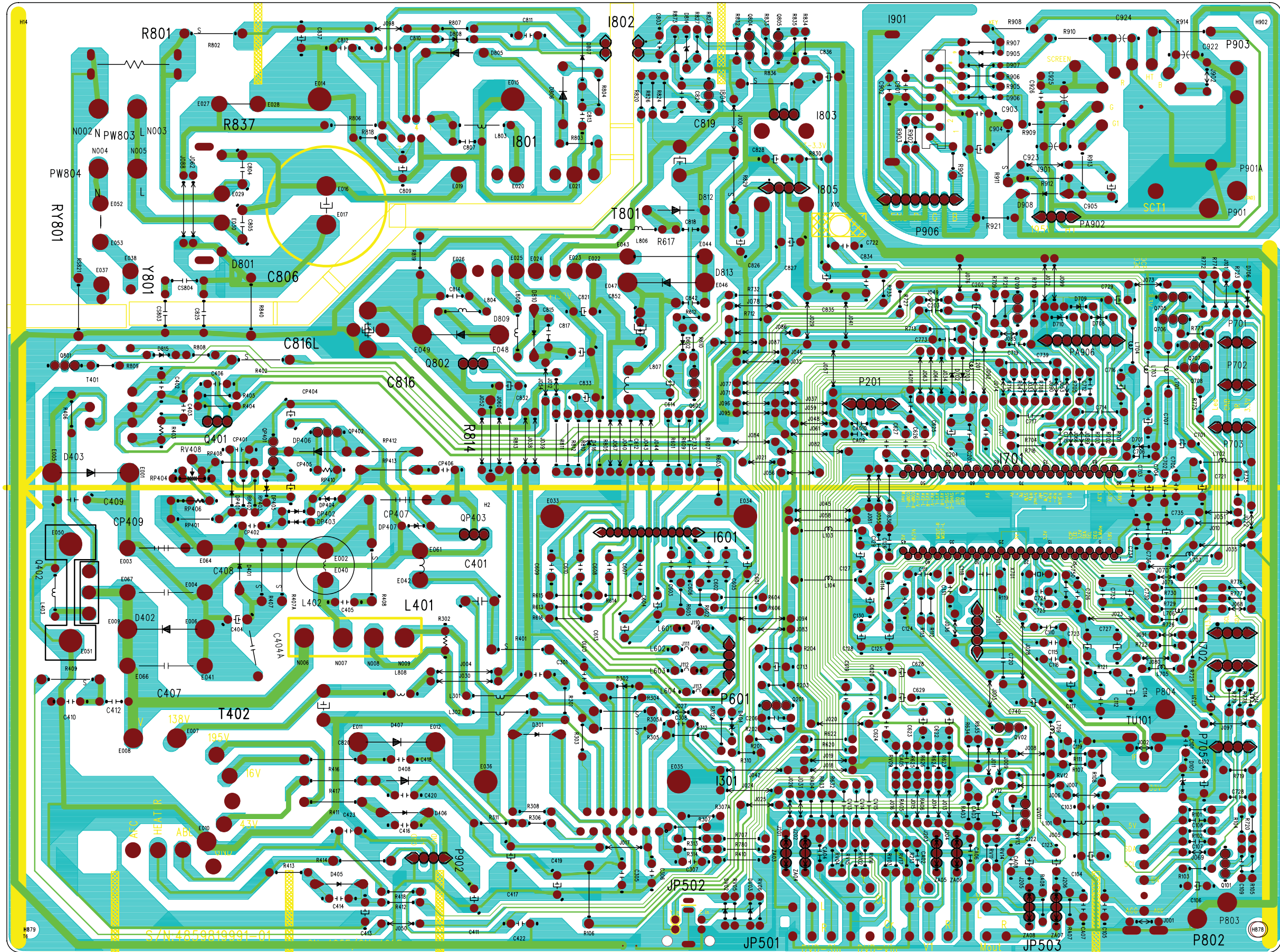
ELECTRICAL PARTS LIST

NO	LOC	PARTS CODE	PARTS NAME	PARTS DESCRIPTION	REMARK
446	R777	RD-AZ332J-	R CARBON FILM	1/6 3.3K OHM J	
447	R778	RD-AZ101J-	R CARBON FILM	1/6 100 OHM J	
448	R779	RD-AZ101J-	R CARBON FILM	1/6 100 OHM J	
449	R780	RN-AZ5600F	R METAL FILM	1/6 560 OHM F	
450	R803	RD-4Z479J-	R CARBON FILM	1/4 4.7 OHM J	
451	R804	RD-4Z152J-	R CARBON FILM	1/4 1.5K OHM J	
452	R805	RD-4Z100J-	R CARBON FILM	1/4 10 OHM J	
453	R806	RD-4Z331J-	R CARBON FILM	1/4 330 OHM J	
454	R807	RD-4Z102J-	R CARBON FILM	1/4 1K OHM J	
455	R808	85801065GY	WIRE COPPER	AWG22 1/0.65 TIN COATING	
456	R809	RD-AZ102J-	R CARBON FILM	1/6 1K OHM J	
457	R819	RN-4Z1003F	R METAL FILM	1/4 100K OHM F	
458	R820	RN-4Z1502F	R METAL FILM	1/4 15K OHM F	
459	R823	RD-AZ152J-	R CARBON FILM	1/6 1.5K OHM J	
460	R824	RD-AZ333J-	R CARBON FILM	1/6 33K OHM J	
461	R826	RN-AZ2201F	R METAL FILM	1/6 2.2K OHM F	
462	R827	RD-AZ511J-	R CARBON FILM	1/6 510 OHM J	
463	R830	RD-AZ472J-	R CARBON FILM	1/6 4.7K OHM J	
464	R832	RD-AZ752J-	R CARBON FILM	1/6 7.5K OHM J	
465	R833	RD-AZ103J-	R CARBON FILM	1/6 10K OHM J	
466	R834	RD-AZ103J-	R CARBON FILM	1/6 10K OHM J	
467	R835	RD-AZ103J-	R CARBON FILM	1/6 10K OHM J	
468	R873	RD-AZ391J-	R CARBON FILM	1/6 390 OHM J	
469	RA03	RD-AZ224J-	R CARBON FILM	1/6 220K OHM J	
470	RA04	RD-AZ224J-	R CARBON FILM	1/6 220K OHM J	
471	RA05	RD-AZ224J-	R CARBON FILM	1/6 220K OHM J	
472	RA06	RD-AZ224J-	R CARBON FILM	1/6 220K OHM J	
473	RA07	RD-AZ224J-	R CARBON FILM	1/6 220K OHM J	
474	RA08	RD-AZ224J-	R CARBON FILM	1/6 220K OHM J	
475	RS801	RC-2Z225KP	R CARBON COMP	1/2 2.2M OHM K	
476	RS821	RC-2Z225KP	R CARBON COMP	1/2 2.2M OHM K	
477	RV01J	RD-AZ750J-	R CARBON FILM	1/6 75 OHM J	
478	RV02	RD-AZ750J-	R CARBON FILM	1/6 75 OHM J	
479	RV03	RD-AZ101J-	R CARBON FILM	1/6 100 OHM J	
480	RV04	RD-AZ750J-	R CARBON FILM	1/6 75 OHM J	
481	RV05	RD-AZ750J-	R CARBON FILM	1/6 75 OHM J	
482	RV06	RD-AZ750J-	R CARBON FILM	1/6 75 OHM J	
483	RV09	RD-AZ101J-	R CARBON FILM	1/6 100 OHM J	
484	RV10	RD-AZ101J-	R CARBON FILM	1/6 100 OHM J	
485	RV11	RD-AZ750J-	R CARBON FILM	1/6 75 OHM J	
486	RV12	RD-4Z220J-	R CARBON FILM	1/4 22 OHM J	
487	RV13	RD-AZ222J-	R CARBON FILM	1/6 2.2K OHM J	
488	RV14	RD-AZ102J-	R CARBON FILM	1/6 1K OHM J	
489	RV15	RD-AZ101J-	R CARBON FILM	1/6 100 OHM J	
490	RV16	RD-AZ101J-	R CARBON FILM	1/6 100 OHM J	

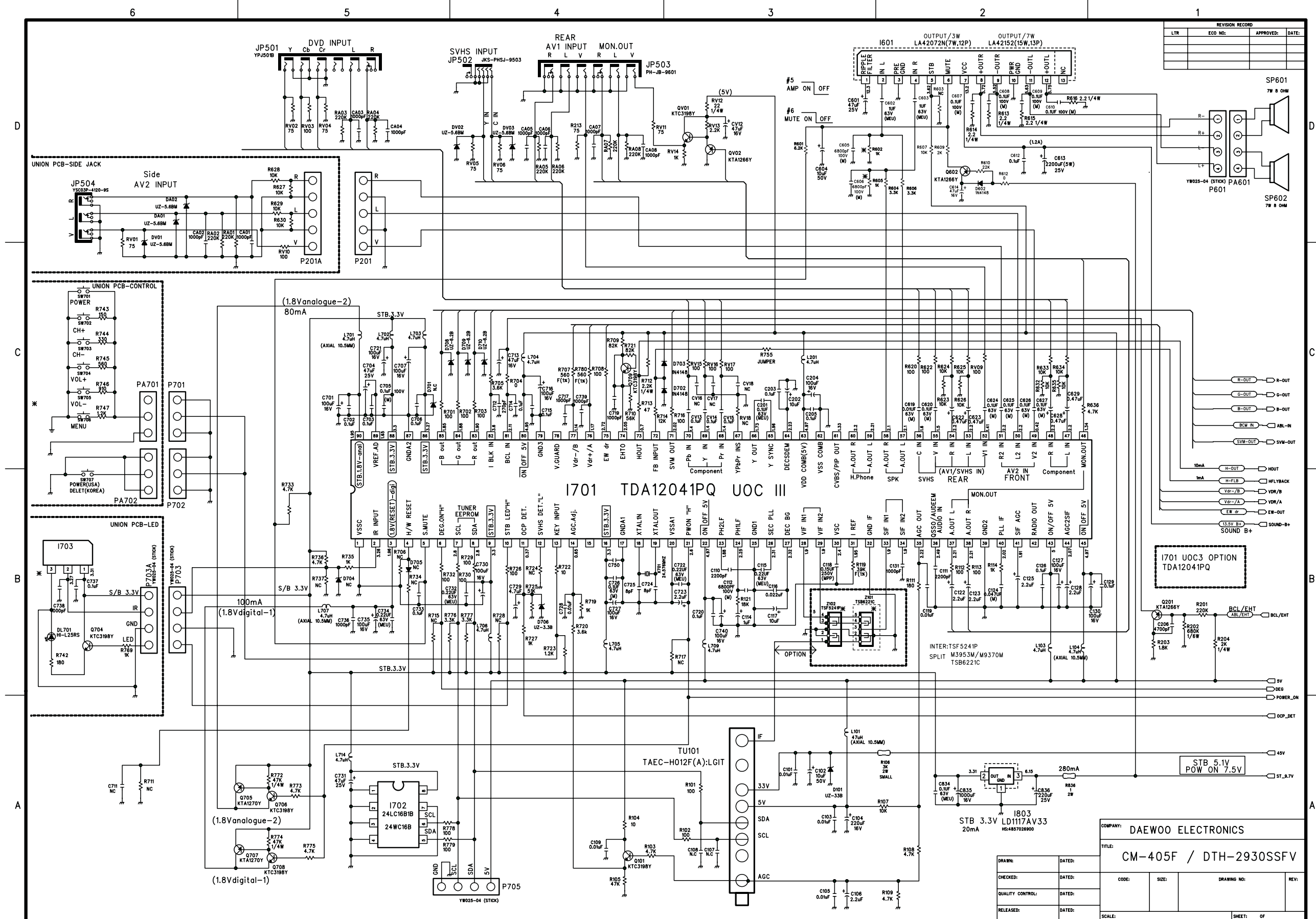
ELECTRICAL PARTS LIST

NO	LOC	PARTS CODE	PARTS NAME	PARTS DESCRIPTION	REMARK
491	RV17	RD-AZ750J-	R CARBON FILM	1/6 75 OHM J	
492	ZA03	85801065GY	WIRE COPPER	AWG22 1/0.65 TIN COATING	
493	ZA04	85801065GY	WIRE COPPER	AWG22 1/0.65 TIN COATING	
494	ZA05	85801065GY	WIRE COPPER	AWG22 1/0.65 TIN COATING	
495	ZA07	85801065GY	WIRE COPPER	AWG22 1/0.65 TIN COATING	
496	ZA08	85801065GY	WIRE COPPER	AWG22 1/0.65 TIN COATING	
497	ZZ300	PTCPMSK142	PCB CRT MANUAL AS	DTQ-29U1SCV	
498	I901	PTE3SW1100	HEAT SINK ASS'Y	1TDA6107AJ + 7174300811	
499	00001	1TDA6107AJ	IC VIDEO	TDA6107AJF	
500	0000A	4857031100	HEAT SINK	A1050P-H24 T2.0	
501	0000B	7174300811	SCREW TAPPTITE	TT2 RND 3X8 MFZN	
502	P903	4859238620	CONN WAFER	YPW500-02	
503	PA902	4850704S04	CONNECTOR	YH025-04+YST025+ULW=400	
504	SCT1	4859303530	SOCKET CRT	PCS629-03C	
505	C904	CEXF2E479V	C ELECTRO	250V RSS 4.7MF (10X16)TP	
506	C905	CEXF2E479V	C ELECTRO	250V RSS 4.7MF (10X16)TP	
507	C926	CBXB3D102K	C CERA SEMI	2KV BL(N) 1000PF K (T)	
508	P906	485923512S	CONN WAFER	YW025-08 (STICK)	
509	R911	RS02Z151JS	R M-OXIDE FILM	2W 150 OHM J SMALL	
510	R914	RF01Z109J-	R FUSIBLE	1W 1 OHM J (TAPPING)	
511	C902	CCXB1H561K	C CERA	50V B 560PF K (TAPPING)	
512	C903	CMXL2E104K	C MYLAR	250V MEU 0.1MF K	
513	C922	4SG0DX0001	SPARK GAP	SSG-102-A1(1.0KV) TAP	
514	C923	4SG0DX0001	SPARK GAP	SSG-102-A1(1.0KV) TAP	
515	C924	4SG0DX0001	SPARK GAP	SSG-102-A1(1.0KV) TAP	
516	C925	4SG0DX0001	SPARK GAP	SSG-102-A1(1.0KV) TAP	
517	A001	4859830213	PCB CRT	108X61.5(246X246) D1B	
518	D905	D1N4004S—	DIODE	1N4004S	
519	D906	D1N4004S—	DIODE	1N4004S	
520	D907	D1N4004S—	DIODE	1N4004S	
521	D908	DLT2A05G—	DIODE	LT2A05G (TP)	
522	J901	85801065GY	WIRE COPPER	AWG22 1/0.65 TIN COATING	
523	J902	85801065GY	WIRE COPPER	AWG22 1/0.65 TIN COATING	
524	R901	RD-AZ511J-	R CARBON FILM	1/6 510 OHM J	
525	R902	RD-AZ511J-	R CARBON FILM	1/6 510 OHM J	
526	R903	RD-AZ511J-	R CARBON FILM	1/6 510 OHM J	
527	R905	RD-4Z101J-	R CARBON FILM	1/4 100 OHM J	
528	R906	RD-4Z101J-	R CARBON FILM	1/4 100 OHM J	
529	R907	RD-4Z101J-	R CARBON FILM	1/4 100 OHM J	
530	R908	RC-2Z102K-	R CARBON COMP	1/2 1K OHM K	
531	R909	RC-2Z102K-	R CARBON COMP	1/2 1K OHM K	
532	R910	RC-2Z102K-	R CARBON COMP	1/2 1K OHM K	
533	R912	RC-2Z105KP	R CARBON COMP	1/2 1M OHM K	
534	R913	RD-2Z102J-	R CARBON FILM	1/2 1K OHM J	

PRINTED CIRCUIT BOARD



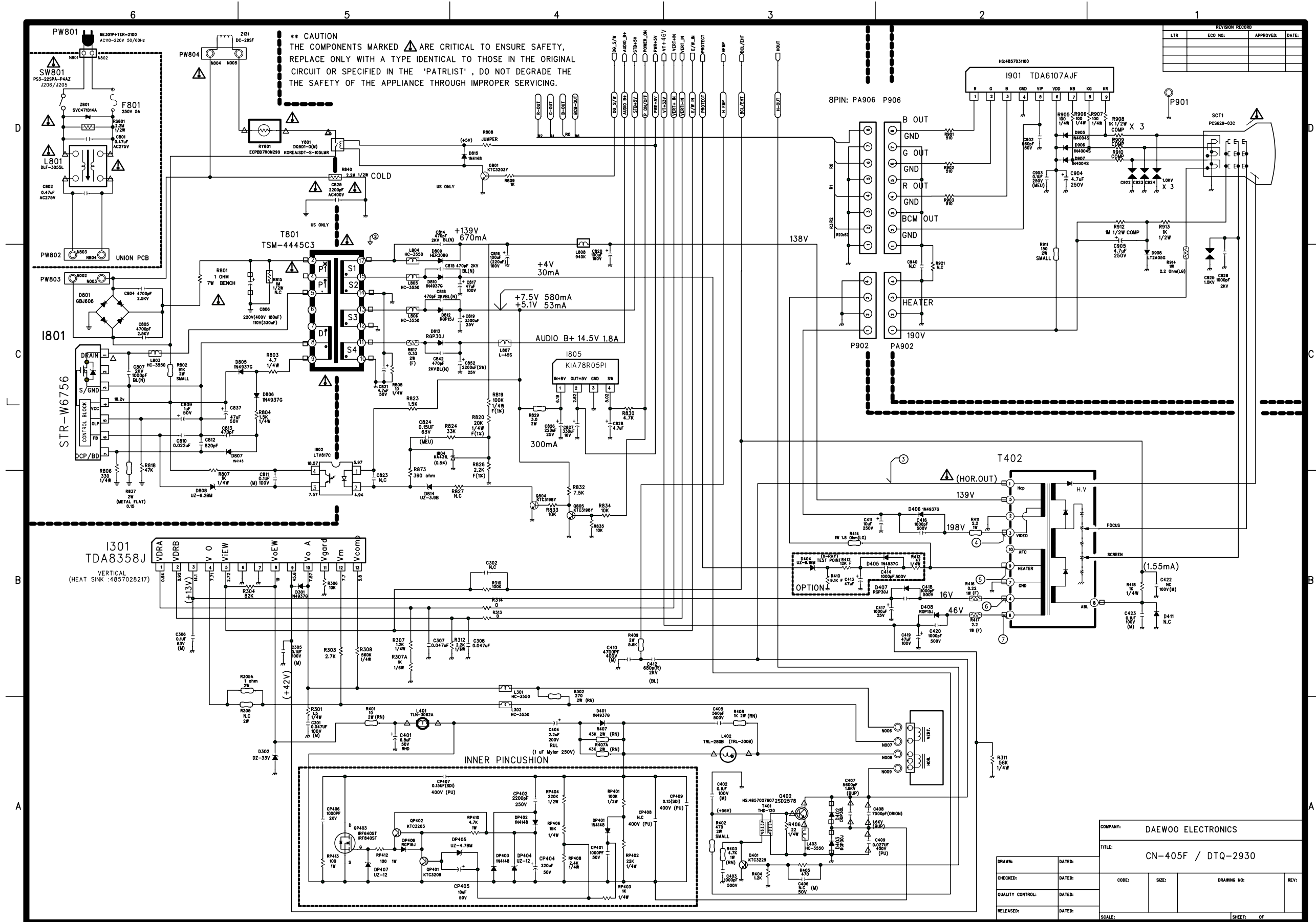
SCHEMATIC DIAGRAM



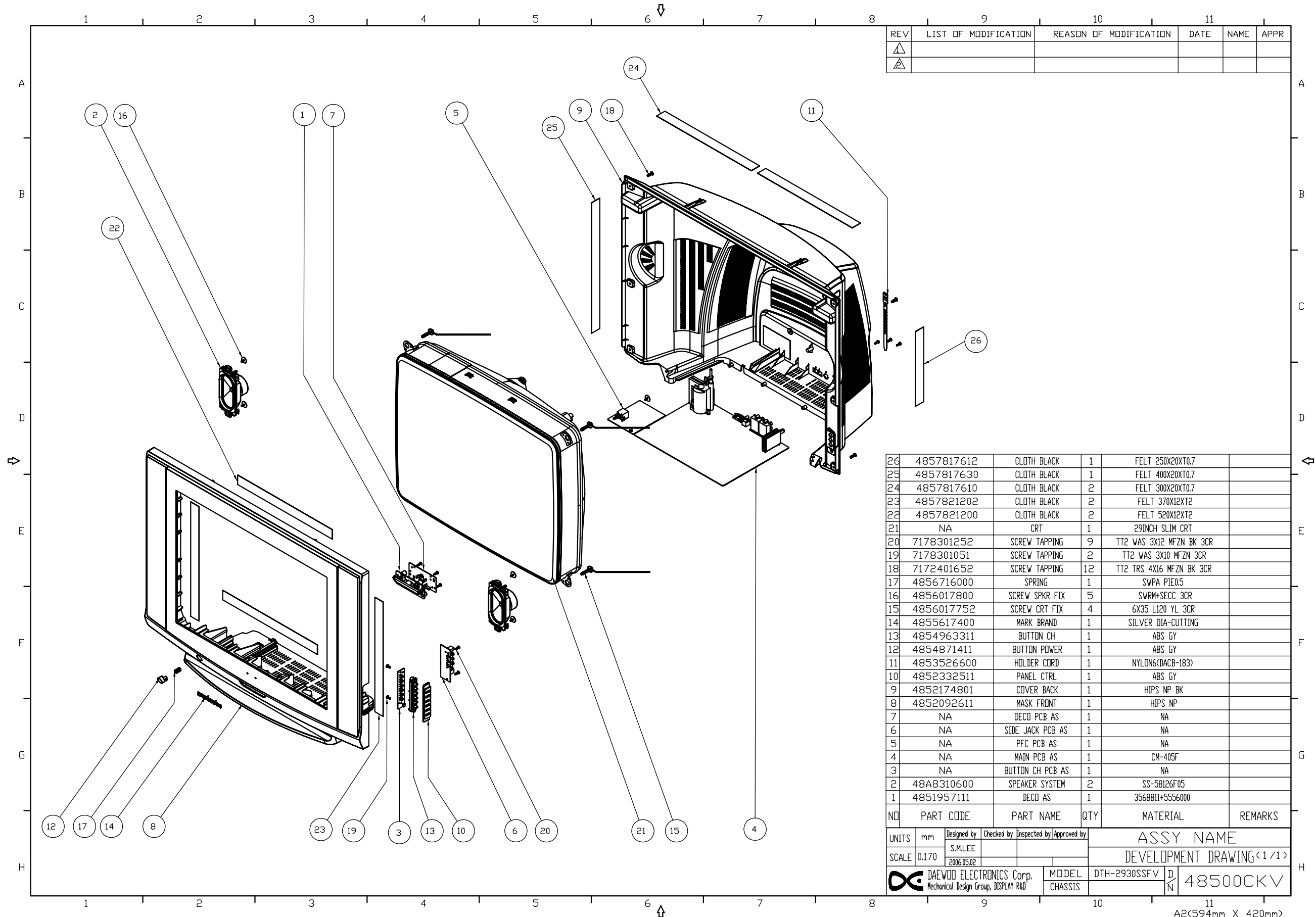
REVISION RECORD			
LTR	ECO NO.	APPROVED:	DATE:

COMPANY: DAEWOO ELECTRONICS			
TITLE: CM-405F / DTH-2930SSV			
DRAWN:	DATED:	CODE:	SIZE:
CHECKED:	DATED:	DRAWING NO.:	REV:
QUALITY CONTROL:	DATED:	SCALE:	SHEET: OF
RELEASED:	DATED:		

SCHEMATIC DIAGRAM



EXPLODE VIEW



REV	LIST OF MODIFICATION	REASON OF MODIFICATION	DATE	NAME	APPR
△					
△					

26	4857817612	CLOTH BLACK	1	FELT 250X20X0.7	
25	4857817630	CLOTH BLACK	1	FELT 400X20X0.7	
24	4857817610	CLOTH BLACK	2	FELT 300X20X0.7	
23	4857821202	CLOTH BLACK	2	FELT 370X12X1.2	
22	4857821200	CLOTH BLACK	2	FELT 520X12X1.2	
21	NA	CRT	1	29INCH SLIM CRT	
20	7178301252	SCREW TAPPING	9	TT2 WAS 3X12 MFZN BK 3CR	
19	7178301051	SCREW TAPPING	2	TT2 WAS 3X10 MFZN 3CR	
18	7172401652	SCREW TAPPING	12	TT2 TRS 4X16 MFZN BK 3CR	
17	4856716000	SPRING	1	SWPA PIE0.5	
16	4856017800	SCREW SPKR FIX	5	SWRM+SECC 3CR	
15	4856017752	SCREW CRT FIX	4	6X35 L120 YL 3CR	
14	4855617400	MARK BRAND	1	SILVER DIA-CUTTING	
13	4854963311	BUTTON CH	1	ABS GY	
12	4854871411	BUTTON POWER	1	ABS GY	
11	4853526600	HOLDER CORD	1	NYLON6(DACB-183)	
10	4852332511	PANEL CTRL	1	ABS GY	
9	4852174801	COVER BACK	1	HIPS NP BK	
8	4852092611	MASK FRONT	1	HIPS NP	
7	NA	DECO PCB AS	1	NA	
6	NA	SIDE JACK PCB AS	1	NA	
5	NA	PFC PCB AS	1	NA	
4	NA	MAIN PCB AS	1	CM-405F	
3	NA	BUTTON CH PCB AS	1	NA	
2	48A8310600	SPEAKER SYSTEM	2	SS-58126F05	
1	4851957111	DECO AS	1	3568811+5556000	
NO	PART CODE	PART NAME	QTY	MATERIAL	REMARKS

UNITS	mm	Designed by	Checked by	Inspected by	Approved by	ASSY NAME	
SCALE	0.170	S.MLEE				DEVELOPMENT DRAWING<1/1>	
		2006.05.02				MODEL	DTH-2930SSFV
		DAEWOO ELECTRONICS Corp.		Mechanical Design Group, DISPLAY R&D		CHASSIS	D
							48500CKV

A2(594mm X 420mm)



DAEWOO ELECTRONICS CORP.

686, AHYEON-DONG, MAPO-GU,
SEOUL, KOREA.
C.P.O. BOX 8003 SEOUL KOREA

PRINTED DATE : MAY. 2006

Free Manuals Download Website

<http://myh66.com>

<http://usermanuals.us>

<http://www.somanuals.com>

<http://www.4manuals.cc>

<http://www.manual-lib.com>

<http://www.404manual.com>

<http://www.luxmanual.com>

<http://aubethermostatmanual.com>

Golf course search by state

<http://golfingnear.com>

Email search by domain

<http://emailbydomain.com>

Auto manuals search

<http://auto.somanuals.com>

TV manuals search

<http://tv.somanuals.com>